

WE MAKE PRODUCTS THAT MAKE A DIFFERENCE®

FLEET ESSENTIALS



PHILLIPS

www.phillipsind.com

WE MAKE PRODUCTS THAT



Tracker Bar
Cable Support



15P POWER LECTRACOIL™



EBS DURACOIL™



15P Power Sockets



EBS Sockets



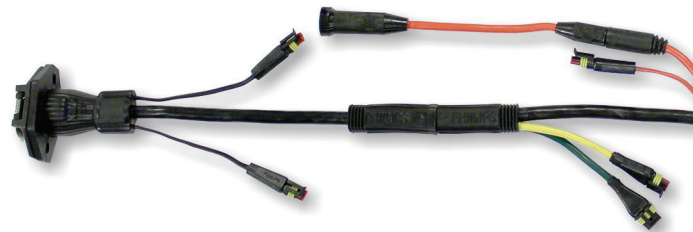
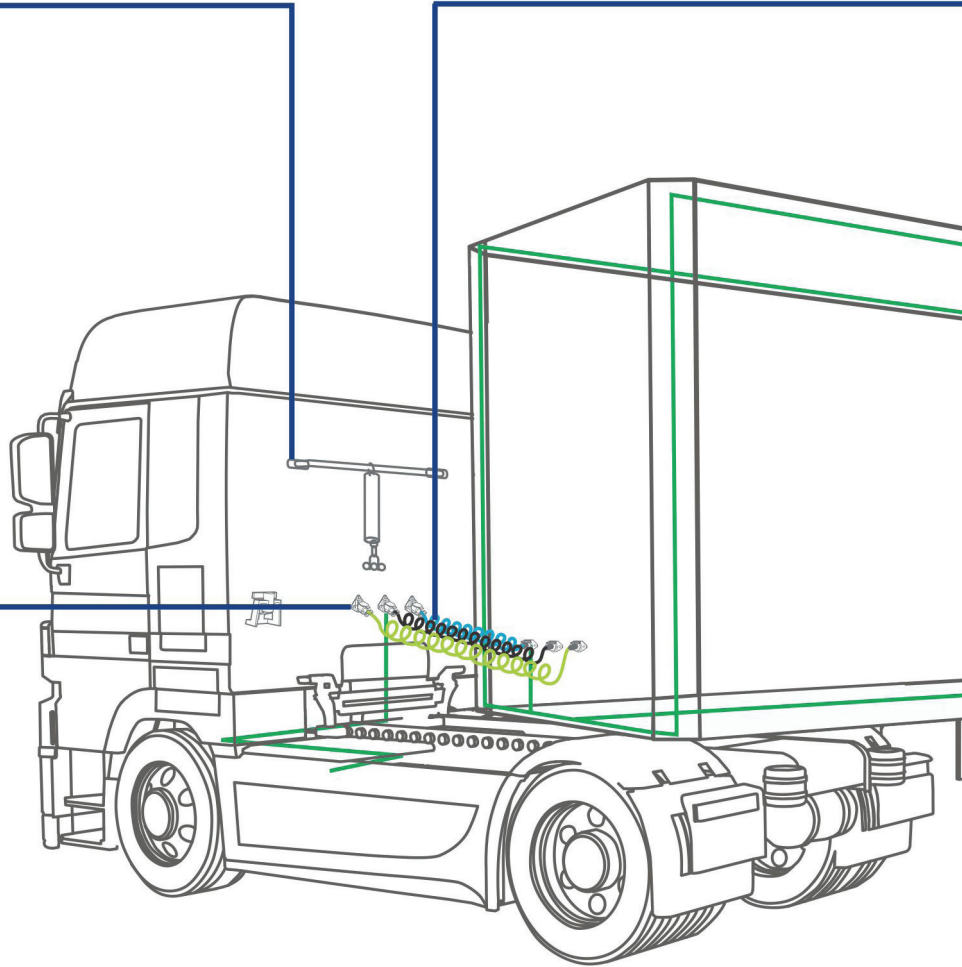
ABS Sockets



7S Sockets



7N Sockets



Sealed, Modular Wiring Harnesses

WHAT MAKE A DIFFERENCE®



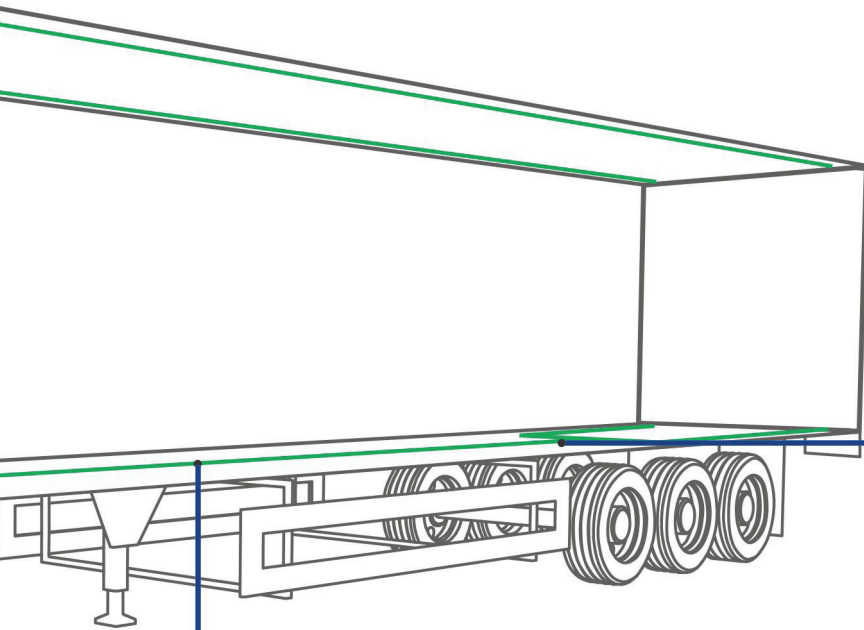
ABS DURACOIL™



7N with WEATHER-TITE™ Cables



Adapter Cables



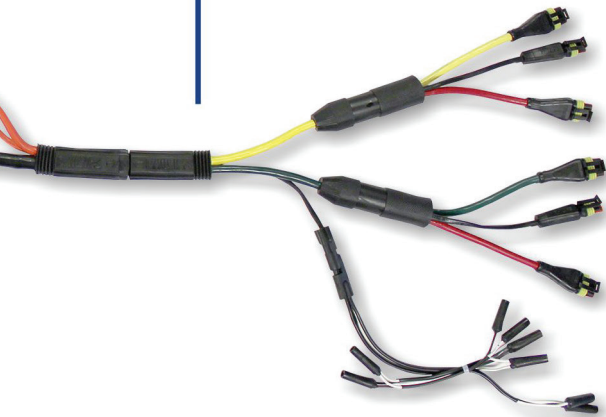
ISO QCS®
Corrosion-Proof
Quick-Change Sockets



SLIM-7™
Sealed Wiring Harnesses



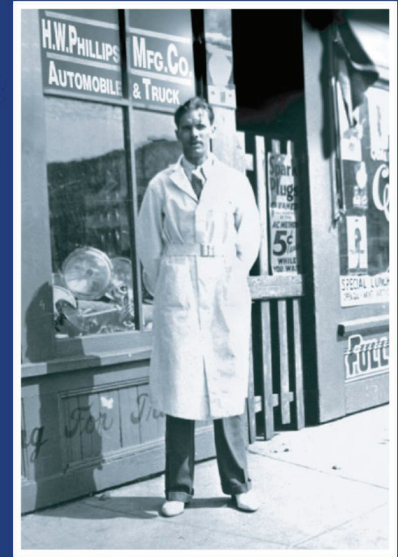
QWIK-SPLICE™
Sealed Harness Connectors



PHILIPS

www.phillipsind.com

Since 1928, Phillips has been driving the global transportation industry. The secret to our success is listening to customers and designing and manufacturing products that reduce downtime, cut operational expenses and solve problems. For decades, Phillips electrical and air products have been the industry standard among top OEM's and fleets. Phillips is a major International supplier and development partner to global truck and trailer OEM's as well as major fleet operators on 4 continents. Our history of success has inspired us to develop and manufacture a line of ISO 24 volt and multi-volt products to meet international standards for global compatibility. Our customers and partners rely upon us for consistent quality, reliable delivery and superior service to help save on installation, labor and replacement costs. Phillips manufactures highly engineered, solution driven products with great attention to detail, using the highest grade materials and consistently adhere to strict TS 16949 production standards at all manufacturing facilities. Extensive testing ensures that every product made reduces fleet down time and operating expenses, saving customers millions in installation and replacement costs. Our sales and customer service staff consistently rate among the top in the industry with extensive training and product knowledge, so you can depend on Phillips to lower operating costs, increase vehicle life and reduce downtime.



Phillips' leadership in quality and innovation has been recognized by numerous industry awards including Ford's Q1, Freightliner's Masters' of Quality, Paccar's Preferred Supplier, Volvo's ISO 9002 and Napa's Supplier of the Year. Phillips has certification of the coveted industry-wide ISO 14001 and TS 16949.

Based in Santa Fe Springs, California, Phillips Industries has manufacturing and distribution facilities throughout the U.S., Canada, Mexico, China and Europe.

In an industry of black connectors and cables, Phillips makes it safe and easy to identify cable, plug and socket function from a distance. This helps eliminate confusion for the driver, increases safety and decreases repair and replacement time.

7N 7S ABS EBS 15P **COLOR BY FUNCTION™**



ELECTRICAL ASSEMBLIES

LECTRACOIL™ Power Cable

Color-coded plug saves time by easily identifying cable application

- POWER (15-Pin)
- EBS (7-Pin)
- ABS (5-Pin)

Phillips green LECTRACOIL™ jacketing is designed to perform in temperatures of -63°C to 91°C*

Excellent recoil memory, chemical and abrasion resistance in extreme conditions*

O-ring seal prohibits water from entering the plug when connected to the socket*

Floating brass pins automatically align to all brands of sockets

Stainless steel plug-lock provides a corrosion resistant, long-life connection*

360° sealed cable guard eliminates moisture and corrosion*

Unbreakable connectors made from a proprietary blend of high-strength materials

* Standard on Phillips ABS, EBS and 15P electrical cables



LECTRACOIL™ Power Cable

15-Pin



15-Pin, 12x1.5mm² & 3x2.5mm²

Part No.	Length	Plug Type	Color
683-7052	3.5M	Nylon PERMAPLUGS™	Green
683-7072	4.5M	Nylon PERMAPLUGS™	Green

- Excellent recoil memory, abrasion, chemical and corrosion resistance
- Durable jacketing flexible from -63°C to 91°C
- Jacket and plugs are color-coded green for easy function identification from a distance
- Meets ISO 12098 specifications
- ADR/GGVS approved for hazardous goods applications



EBS DURACOIL™

7-Pin



7-Pin, 5x1.5mm² & 2x4.0mm²

Part No.	Length	Plug Type	Color
662-5052	3.5M	Nylon PERMAPLUGS™	Dark Blue
662-5072	4.5M	Nylon PERMAPLUGS™	Dark Blue

- Excellent recoil memory, abrasion, chemical and corrosion resistance
- Durable jacketing flexible from -63°C to 91°C
- Jacket and plugs are color-coded dark blue for easy function identification from a distance
- Meets ISO 7638 specifications for EBS systems
- ADR/GGVS approved for hazardous goods applications



ABS DURACOIL™

5-Pin



5-Pin, 3x1.5mm² & 2x4.0mm²

Part No.	Length	Plug Type	Color
661-3052	3.5M	Nylon PERMAPLUGS™	Light Blue
661-3072	4.5M	Nylon PERMAPLUGS™	Light Blue

- Excellent recoil memory, abrasion, chemical and corrosion resistance
- Durable jacketing flexible from -63°C to 91°C
- Jacket and plugs are color-coded light blue for easy function identification from a distance
- Meets ISO 7638 specifications for ABS systems
- ADR/GGVS approved for hazardous goods applications

PERMACOIL™

ISO 1724



7-Pin, 6x1.0mm², 1x1.5mm²

Part No.	Length	Plug Type	Color
616-5652	3.5M	THERMOSEAL™ Plugs	Black
616-5672	4.5M	THERMOSEAL™ Plugs	Black

- Molded plugs to help prevent corrosion
- Good recoil memory, abrasion, chemical and corrosion resistance
- Jacketing flexible from -66°C to 66°C
- Meets ISO 1724 specifications

PERMACOIL™ Adapter Cable

15P to 7N & 7S

15P

15-Pin, 2x (6x1.5mm² & 1x2.5mm²)

Part No.	Length	Plug Type	Color
686-8656	3.5M	15-Pin Nylon PERMAPLUG™ to (2) 7N & 7S 7-Pin Nylon PERMAPLUGS™ with WEATHER-TITE™ Seal	Black/Yellow
686-8676	4.5M	15-Pin Nylon PERMAPLUG™ to (2) 7N & 7S 7-Pin Nylon PERMAPLUGS™ with WEATHER-TITE™ Seal	Black/Yellow

- WEATHER-TITE™ plugs seal out water to protect against corrosion
- Flexible from - 66°C to 66°C
- Great recoil memory, abrasion, chemical and corrosion resistance
- Jacket and plugs are color-coded black and yellow for easy function identification from a distance
- Plugs meet ISO 12098, ISO 1185 and ISO 3731 specifications
- 13 pins populated. 9 pins also available.

WEATHER-TITE™
Corrosion Resistant Seal

PERMACOIL™ Adapter Cable

15P to 7N

15P

7-Wire, 6x1.5mm² & 1x2.5mm²

Part No.	Length	Plug Type	Color
686-5256	3.5M	15-Pin Nylon PERMAPLUG™ to 7N 7-Pin Nylon PERMAPLUG™ with WEATHER-TITE™ Seal	Black
686-5276	4.5M	15-Pin Nylon PERMAPLUG™ to 7N 7-Pin Nylon PERMAPLUG™ with WEATHER-TITE™ Seal	Black

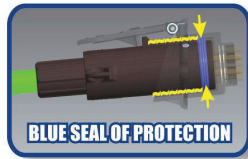
- WEATHER-TITE™ plug seals out water to protect against corrosion
- Great recoil memory, abrasion, chemical and corrosion resistance
- Flexible from - 66°C to 66°C
- Jacket and plugs are color-coded black for easy function identification from a distance
- Meets ISO 12098 and ISO 1185 specifications

WEATHER-TITE™
Corrosion Resistant Seal

INTRODUCING WEATHER-TITE™

7N & 7S PERMACOIL™ WEATHER-TITE™ ELECTRICAL CABLES

- WEATHER-TITE™ seal blocks all contaminants from entering the electrical system, creating a complete seal!
- Great recoil memory, abrasion, chemical and corrosion resistance
- 360° compression ring secures plug to cable and significantly reduces moisture and corrosion
- Meets ISO 1185 & ISO 3731 specifications



7N PERMACOIL™ 7N



WEATHER-TITE™
Corrosion Resistant Seal

7-Pin, OEM Version - 6x1.5mm² & 1x2.5mm²

Part No.	Length	Plug Type	Color
636-5256	3.5M	Nylon PERMAPLUGS™ with WEATHER-TITE™ Seal	Black
636-5276	4.5M	Nylon PERMAPLUGS™ with WEATHER-TITE™ Seal	Black

7-Pin, Economy Version - 6x1.0mm² & 1x1.5mm²

Part No.	Length	Plug Type	Color
636-5656	3.5M	Nylon PERMAPLUGS™ with WEATHER-TITE™ Seal	Black
636-5676	4.5M	Nylon PERMAPLUGS™ with WEATHER-TITE™ Seal	Black

- WEATHER-TITE™ plugs seal out water to protect against corrosion
- 360° compression ring secures plug to cable and significantly reduces moisture and corrosion
- Jacket is color-coded black for easy function identification from a distance
- Good recoil memory, abrasion, chemical and corrosion resistance
- Flexible from - 66°C to 66°C
- Plugs meet ISO 1185 specifications

7S PERMACOIL™ 7S



WEATHER-TITE™
Corrosion Resistant Seal

7-Pin, OEM Version - 6x1.5mm² & 1x2.5mm²

Part No.	Length	Plug Type	Color
647-5256	3.5M	Nylon PERMAPLUGS™ with WEATHER-TITE™ Seal	Yellow
647-5276	4.5M	Nylon PERMAPLUGS™ with WEATHER-TITE™ Seal	Yellow

7-Pin, Economy Version - 6x1.0mm² & 1x1.5mm²


Part No.	Length	Plug Type	Color
647-5656	3.5M	Nylon PERMAPLUGS™ with WEATHER-TITE™ Seal	Yellow
647-5676	4.5M	Nylon PERMAPLUGS™ with WEATHER-TITE™ Seal	Yellow


- WEATHER-TITE™ plugs seal out water to protect against corrosion
- 360° compression ring secures plug to cable and significantly reduces moisture and corrosion
- Good recoil memory, abrasion, chemical and corrosion resistance
- Jacket and plugs are color-coded yellow for easy function identification from a distance
- Flexible from - 66°C to 66°C
- Plugs meet ISO 3731 specifications

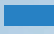
ELECTRICAL CONNECTORS

STA-DRY® Power Plug

Color-coded insert to easily identify plug function

 POWER (15-Pin)

 EBS (7-Pin)

 ABS (5-Pin)

Unbreakable, non-corrosive housing can withstand the toughest conditions

Machined brass pins with crown spring and thread sealer securely connects wires to pins

Color identifiers for easy wire installation

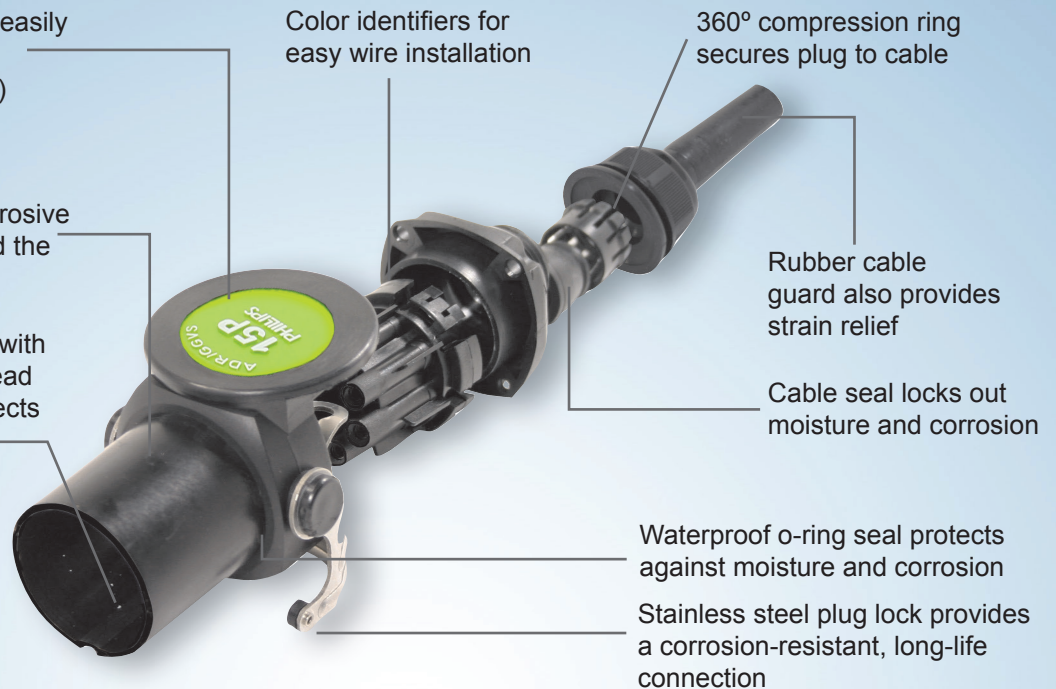
360° compression ring secures plug to cable

Rubber cable guard also provides strain relief

Cable seal locks out moisture and corrosion

Waterproof o-ring seal protects against moisture and corrosion

Stainless steel plug lock provides a corrosion-resistant, long-life connection



STA-DRY® Power Socket



Stainless steel hinge pin and spring are designed for durability and corrosion protection

Color identifiers for easy wire installation

Proprietary material housing for durability

360° moisture barrier standard on all straight and 90° cable exit sockets

Reinforced mounting holes with stainless steel rings for durability and corrosion protection

Stainless steel collars for strength and durability

Durable, non-corrosive, water-resistant housing

Color-coded lid to easily identify socket function

Rubber gasket seals against moisture and corrosion when closed

Nickel coated machined brass pins with thread sealer securely connects wires to pins

“Floating” pins to align with irregular plugs



STA-DRY® POWER PLUGS

15P

STA-DRY® ISO 12098 PERMAPLUG™

ISO 12098



Part No.	Description	Type	Color
716-7391	15-Pin Nylon PERMAPLUG™	Wire Insertion, 24 Volt	Green
716-7392	15-Pin Nylon PERMAPLUG™	Crimp Termination, 24 Volt	Green

- Color-coded green for easy function identification from a distance
- 360° compression ring secures plug to cable and eliminates moisture and corrosion
- Insert labeled with wire colors for quick and easy installation
- Stainless steel plug lock and hardware provide a corrosion-resistant, long-life connection
- Meets ISO 12098 specifications
- ADR/GGVS approved for hazardous goods applications

EBS

STA-DRY® EBS PERMAPLUG™

ISO 7638



Part No.	Description	Type	Color
716-5371	7-Pin Nylon PERMAPLUG™	Wire Insertion, 24 Volt	Dark Blue
716-5372	7-Pin Nylon PERMAPLUG™	Crimp Termination, 24 Volt	Dark Blue

- Color-coded dark blue for easy function identification from a distance
- 360° compression ring secures plug to cable and eliminates moisture and corrosion
- Insert labeled with wire colors for quick and easy installation
- Stainless steel plug lock and hardware provide a corrosion-resistant, long-life connection
- Meets ISO 7638 specifications
- ADR/GGVS approved for hazardous goods applications

ABS

STA-DRY® ABS PERMAPLUG™

ISO 7638



Part No.	Description	Type	Color
716-5351	5-Pin Nylon PERMAPLUG™	Wire Insertion, 24 Volt	Light Blue
716-5352	5-Pin Nylon PERMAPLUG™	Crimp Termination, 24 Volt	Light Blue

- Color-coded light blue for easy function identification from a distance
- 360° compression ring secures plug to cable and eliminates moisture and corrosion
- Insert labeled with wire colors for quick and easy installation
- Stainless steel plug lock and hardware provide a corrosion-resistant, long-life connection
- Meets ISO 7638 specifications
- ADR/GGVS approved for hazardous goods applications

7S

STA-DRY® 7S Plug

ISO 3731



WEATHER-TITE™
Corrosion Resistant Seal

Part No.	Description	Type	Color
716-4971	Nylon PERMAPLUG™ with WEATHER-TITE™ Seal	24 Volt	Yellow

- WEATHER-TITE™ plugs seal out water to protect against corrosion
- 360° compression ring secures plug to cable and significantly reduces moisture and corrosion
- Floating brass pins to align with irregular socket pins
- Meets ISO 3731 specifications

STA-DRY® 7N Plug
ISO 1185

7N

Part No.	Description	Type	Color
716-3971	Nylon PERMAPLUG™ with WEATHER-TITE™ Seal	24 Volt	Black

- WEATHER-TITE™ plugs seal out water to protect against corrosion
- 360° compression ring secures plug to cable and significantly reduces moisture and corrosion
- Floating brass pins to align with irregular socket pins
- Meets ISO 1185 specifications



WEATHER-TITE™
Corrosion Resistant Seal

STA-DRY® POWER SOCKETS

STA-DRY® POWER Socket
ISO 12098

15P

Part No.	Description	Type	Color
716-7191	15-Pin Nylon STA-DRY® Socket	Wire Insertion, 24 Volt	Green
716-7193	15-Pin Nylon STA-DRY® Socket	Bullet Termination for ISO QCS®	Green

- Lid color-coded green for easy function identification from a distance
- Stainless steel lid hinge pin, spring and reinforced mounting holes for durability and corrosion protection
- 360° compression ring protects against moisture and corrosion
- Rubber gasket seals against moisture and corrosion when closed
- Meets ISO 12098 specifications
- ADR/GGVS approved for hazardous goods applications



STA-DRY® EBS Socket
ISO 7638

EBS

Part No.	Description	Type	Color
716-5171	7-Pin EBS Nylon STA-DRY® Socket	Wire Insertion, 24 Volt	Dark Blue
716-5172	7-Pin EBS Nylon STA-DRY® Socket	Crimp Termination, 24 Volt	Dark Blue
716-5173	7-Pin EBS Nylon STA-DRY® Socket	Bullet Termination for ISO QCS®	Dark Blue

- Lid color-coded dark blue for easy function identification from a distance
- Stainless steel lid hinge pin, spring and reinforced mounting holes for durability and corrosion protection
- 360° compression ring protects against moisture and corrosion
- Rubber gasket seals against moisture and corrosion when closed
- Meets ISO 7638 specifications
- ADR/GGVS approved for hazardous goods applications



STA-DRY® ABS Socket
ISO 7638

ABS

Part No.	Description	Type	Color
716-5151	5-Pin ABS Nylon STA-DRY® Socket	Wire Insertion, 24 Volt	Light Blue
716-5152	5-Pin ABS Nylon STA-DRY® Socket	Crimp Termination, 24 Volt	Light Blue
716-5153	5-Pin ABS Nylon STA-DRY® Socket	Bullet Termination for ISO QCS®	Light Blue

- Color-coded light blue for easy function identification from a distance
- Stainless steel lid hinge pin, spring and reinforced mounting holes for durability and corrosion protection
- 360° compression ring protects against moisture and corrosion
- Rubber gasket seals against moisture and corrosion when closed
- Meets ISO 7638 specifications
- ADR/GGVS approved for hazardous goods applications



STA-DRY® ISO QCS®



Part No.	Description	Socket	Color
716-31731	7N ISO 1185 QCS® with 1M Blunt Cable	Nylon STA-DRY®	Black
716-41731	7S ISO 3731 QCS® with 1M Blunt Cable	Nylon STA-DRY®	Yellow
716-51531	ABS QCS® with 1M Blunt Cable	Nylon STA-DRY®	Light Blue
716-51731	EBS QCS® with 1M Blunt Cable	Nylon STA-DRY®	Dark Blue
716-71931	15P - Power QCS® with 1M Blunt Cable	Nylon STA-DRY®	Green

- Completely sealed for maximum protection against water, salt, magnesium and calcium chlorides
- Install or change sockets in seconds!
- Ideal for use with all Phillips STA-DRY® truck and trailer wiring systems
- ADR/GGVs approved for hazardous goods applications
- U.S. Patent No. 6,743,025, global patents pending

7S STA-DRY® 7S Socket



Part No.	Description	Type	Color
716-41711	7-Pin Nylon STA-DRY® Socket	Wire Insertion, 24 Volt, with Boot	Yellow
716-4173	7-Pin Nylon STA-DRY® Socket	Bullet Termination for ISO QCS®	Yellow

- Fully sealed to prevent water from entering the wire harness system
- Full-opening lid is unbreakable
- Slanted 5° for moisture drain
- Stainless steel spring and hinge pin for corrosion protection
- Meets ISO 3731 specifications

7N STA-DRY® 7N Socket



Part No.	Description	Type	Color
716-31711	ISO 1185, 7-Pin Nylon STA-DRY® Socket	Wire Insertion, 24 Volt, with Boot	Black
716-3173	ISO 1185, 7-Pin Nylon STA-DRY® Socket	Bullet Termination for ISO QCS®	Black

- Fully sealed to prevent water from entering the wire harness system
- Full-opening lid is unbreakable
- Stainless steel spring and hinge pin for corrosion protection
- Slanted 5° for moisture drain
- Meets ISO 1185 specifications

ISO STA-DRY® Parking Socket



Part No.	Description	Color
716-3100	Parking Socket, For 7N & 7S Cables	Black
716-5100	Nylon STA-DRY® Parking Socket, For ABS, EBS & 15P Cables	Black

- Color-coded black and marked for easy function identification from a distance
- Fits all Phillips ISO 7638 and ISO 12098 plugs
- Stainless steel lid hinge pin, spring and reinforced mounting holes for durability and corrosion protection

Socket Boot



Part No.	Description
615-740	Fits 7N & 7S Sockets

- Protects against water intrusion and contamination at the rear of the socket
- Fits all 7N and 7S sockets

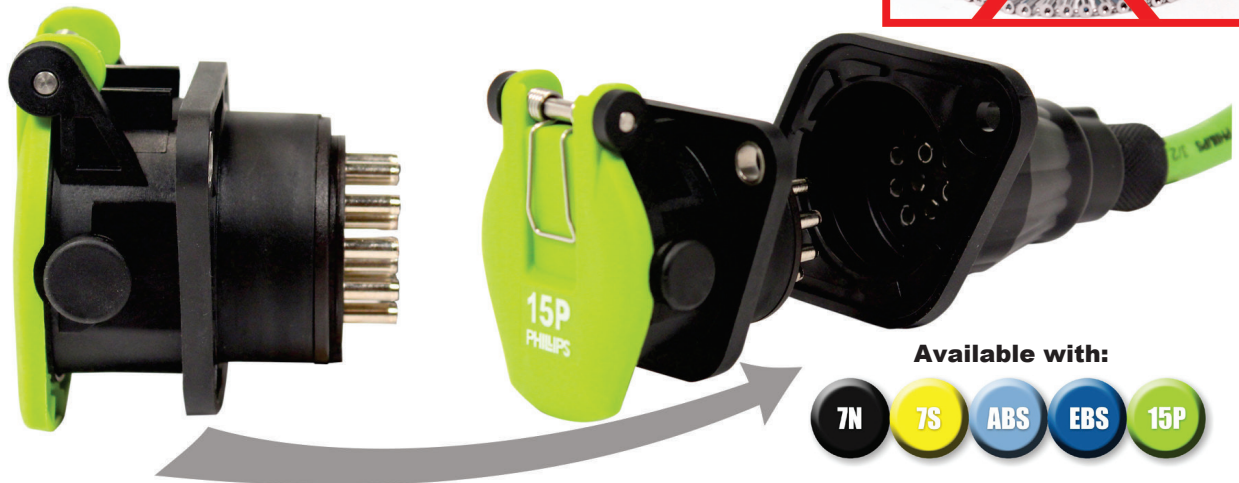
STA-DRY® QCS® SYSTEM

Replace your broken truck or trailer electrical socket in under 1 minute!

Eliminates over 95% of the labor time it takes to change 7N, 7S, ABS, EBS or 15P socket. The patented Phillips QCS® (Quick-Change Socket) is a completely sealed, weather-proof design that meets all ISO standards. Spend LESS time on warranty claims and repairs, and MORE time on the road!

The Phillips QCS® Quick-Change Socket system is the next generation of molded, "PLUG-IN" truck and trailer electrical sockets (7N, 7S, ABS, EBS, 15P) designed for progressive truck and trailer OEMs and leading-edge fleets. Backed by a 5 year warranty against corrosion, the QCS® is designed to withstand the most punishing environments and weather conditions.

- Completely sealed for maximum protection against extreme weather and corrosion
- Significantly reduces socket replacement time, lowering maintenance and warranty costs
- Flexibility allows for very quick OEM installation, reducing production costs
- QCS® replacement sockets available
- Available for 7N, 7S, ABS, EBS and 15P connections



Available with:



QCS® Quick-Change Socket Retrofit Kits



Part No.	Description	Color
716-31731K	7N ISO 1185 QCS® Retrofit Kit	Black
716-41731K	7S ISO 3731 QCS® Retrofit Kit	Yellow
716-51531K	ABS QCS® Retrofit Kit	Light Blue
716-51731K	EBS QCS® Retrofit Kit	Dark Blue
716-71931K	15P - Power QCS® Retrofit Kit	Green

- Kit includes QCS® socket, waterproof socket boot, 1M cable, STA-DRY® heat shrink connectors, and dielectric grease

QCS® Quick-Change Socket Assemblies



Part No.	Description	Color
716-31731	7N ISO 1185 QCS® with 1M Blunt Cut	Black
716-41731	7S ISO 3731 QCS® with 1M Blunt Cut	Yellow
716-51531	ABS QCS® with 1M Blunt Cut	Light Blue
716-51731	EBS QCS® with 1M Blunt Cut	Dark Blue
716-71931	15P - Power QCS® with 1M Blunt Cut	Green

- Includes QCS® socket, waterproof socket boot and 1M cable only

QCS® Replacement Sockets



Part No.	Description	Color
716-3173	7N ISO 1185 QCS® STA-DRY® Socket	Black
716-4173	7S ISO 3731 QCS® STA-DRY® Socket	Yellow
716-5153	ABS QCS® STA-DRY® Socket	Light Blue
716-5173	EBS QCS® STA-DRY® Socket	Dark Blue
716-7193	15P - Power QCS® STA-DRY® Socket	Green

- Includes QCS® socket, waterproof socket boot and 1M cable only

CABLE SUPPORT AND ACCESSORIES

Tracker Bar

Extend electrical cable and air line life by suspending them above the catwalk/deck plate!

Stainless steel bar

Snap-on-clip for quick removal and attachment

PVC sleeve for durable spring protection



Change hoses in seconds!

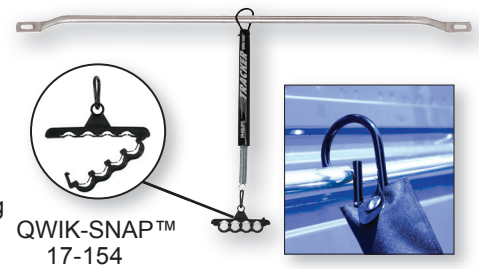


Offers back of cab cable support

Tracker Bar

Part No.	Description
17-1494	1 Meter Bar & 0.5 Meter Spring Kit with QWIK-SNAP™ 4-Hose Holder
17-1684	0.5 Meter Heavy Duty Spring Kit with QWIK-SNAP™ 4-Hose Holder

- Back of cab cable support
- Ideal for electrical and air line support
- Kits include bar, snap-on clip, PVC sleeve, QWIK-SNAP™ 4-hose holder and spring
- Stainless steel bar

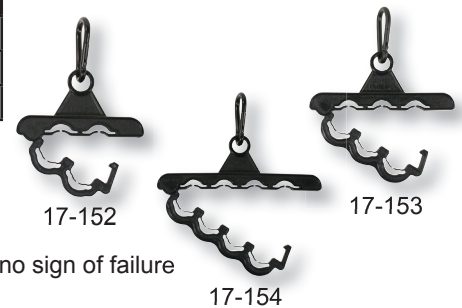


QWIK-SNAP™
17-154

QWIK-SNAP™ Hose Holders

Part No.	Description
17-152	2-Hose Holder
17-153	3-Hose Holder
17-154	4-Hose Holder

- Extend cable and air life by elevating them off the deck plate
- Easy to use with gloves - no loose parts
- Positive lock - stays connected at over 80 lbs. of pull force
- Durable nylon for extreme weather, corrosion and impact resistance
- Tested over 30,000 cycles at -20°F (-29°C) and 30,000 cycles at 190°F (88°C) with no sign of failure
- Fits tracker bar and pogo stick
- Patent pending



17-152

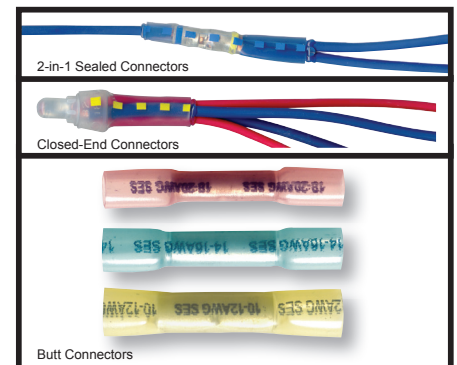
17-153

17-154

STA-DRY® Heat Shrink Wire Terminals

Part No.	Description
1-1724	CRIMP & SEAL™ 2-in-1 Wire Connector, 1.5mm ² - 2.5mm ² , Blue
1-1729	CRIMP & SEAL™ Closed-End Connector, 1.0mm ² - 6.0mm ² , Yellow
1-1961	CRIMP & SEAL™ Butt Connector, 0.5mm ² - 1.0mm ² , Red
1-1961-100	CRIMP & SEAL™ Butt Connector, 0.5mm ² - 1.0mm ² , Red
1-1962	CRIMP & SEAL™ Butt Connector, 1.5mm ² - 2.5mm ² , Blue
1-1962-100	CRIMP & SEAL™ Butt Connector, 1.5mm ² - 2.5mm ² , Blue
1-1963	CRIMP & SEAL™ Butt Connector, 4.0mm ² - 6.0mm ² , Yellow
1-1963-100	CRIMP & SEAL™ Butt Connector, 4.0mm ² - 6.0mm ² , Yellow

- Make permanent wire connections!
- Color-coded tubing identifies wire gauge size to be used with connector
- Seamless barrel butt connectors ensure superior crimp performance
- Wire-stop in butt connectors prevents over-insertion of wire
- ROHS compliant



**Ideal for
Extreme Weather!**

North America

USA - Santa Fe Springs, California

Tel: 800.423.4512

Canada - Mississauga, Ontario

Tel: 905.814.1975

Mexico - Arteaga, Coahuila

Tel: 52.844.986.9200

Europe

Belgium - Lommel

Tel: 0032.0.1156.1810

Asia

China - Ningbo

Tel: 86.574.8781.6600

Proudly Distributed By: