

**BorgWarner**

Polymer Fans

Viscous & Viscronic Fan Drives

Kysor™ On/Off Fan Clutches

# 2006 Product Catalog

<b>Kysor On/Off Identification Guide</b> .....	3
OEM Fan & Drive Applications by Vehicle/Year .....	4
This information cannot account for glider kits or customer altered installations.	
HRU Competitive Cross-Reference List .....	30
Drop-in replacements for competitive fan drives	
<b>OEM/Supplier Part Number Cross-Reference List</b> .....	32
Drive Assembly Components .....	74
<b>Casting/Mounting Assembly/Engine Usage</b> .....	87
Assemblies sorted by casting number. In the case of multiple assemblies being made from the same base casting number, the outline drawing would have to be consulted for differences.	
<b>Kit &amp; Repair Parts</b> .....	92
On/Off maintenance kits, repair parts and hub service kits.	
<b>1077 Series Outline Drawings</b> .....	101
Indicates minor differences in similar assemblies.	
<b>Viscous Specifications by Model Number</b> .....	317
Dimensions of the viscous fan clutches sorted by model, mounting pilot and bolt circle. Units with the same dimensions can be different due to temperature calibration and/or input speed which are not listed in the table.	
<b>Fan Specifications</b>	
Lists diameter, projected width, front of blade to back of insert dimension(F-B), back of insert to trailing edge of the blade(B-B), pilot diameter, and bolt circle.	
<b>by Part Number</b> .....	342
by Diameter .....	368
<b>Solenoid Specifications</b> .....	395
<b>Solenoid Plumbing Diagrams</b> .....	399



## Kysor™ On/Off Identification Guide

The K26RA fan clutch is a higher capacity fan clutch than the K22RA. The K26RA fan clutch housing is gold in color, the lining is marked with yellow on the outer edge, and the clutch shaft (hub mounting surface) is etched with K26RA.

**NOTE:** For the most part, components cannot be interchanged between the K22RA and K26RA clutches. Interchanging components between the two models may cause premature failure and may prevent the clutch from functioning properly.

The K22RA fan clutch housing is silver in color, the lining has no markings, and the clutch shaft (hub mounting surface) is etched with K22RA or has no marking.

When replacing the entire clutch assembly, a K26RA can be installed on any application that was originally equipped with a K22RA.

**WARNING** - Do not use a K22RA to replace a K26RA. High wear and early failure of the clutch may result if a K22RA is installed in place of a K26RA.

### K22RA



No color or ID groove around surface

Repair Kits	SEALS ONLY	LINING ONLY	SEAL AND LINING
K22RA	1033-08233-01	1033-08250-01	1033-05435-03
K26RA	1033-08233-01	1033-09340-01	1033-09339-01

### K26RA



Former Design



Current Design



Yellow or ID groove around surface

**Note:** When replacing the fan drive, use the corresponding 1090-09500 in place of the obsolete 1090-08500 series fan drive.

Case | Dodge | Ford

Engine Make & Model	Vehicle Model	Vehicle Year	HP	Mounting / Hub Assembly P/N	Drive / Clutch Assembly P/N	DIA INS	Fan P/N	BLADES	Notes
<b>Case</b>									
Cummins 6T8.3	7210, 7220, 7230	1993-1996	—	—	18240-1	24.00	186431A1	8	
Cummins 6T8.3	7240, 7250	1993-1996	—	—	18289-1	24.00	140939A1	8	Marked 187441A1
Cummins 6T8.3	7240, 7250	1999	—	—	18682-2	24.00	278432A1	8	Marked 255031A2 Screw mount
Cummins 6T8.3	7210, 7220, 7230	2000-2002	—	—	18890-1	24.00	278432A1	8	Marked 383967A1 Screw mount
Cummins 6T8.3	9330	2001	—	—	18937-1	31.00	314317A1	8	Marked 353846A1 Screw mount
Cummins 855	9390	1996-1999	—	—	18550-1	30.00	236987A1	8	
Cummins 855	9350, 9370, 9380, 9390	2001-2002	375	—	18891-1	32.00	414782A2	8	Marked 430406A1
Cummins 855	9350, 9370, 9380, 9390	2001-2002	375, 440	—	18891-2	32.00	367202A1	8	Marked 384866A2
Cummins 855	9350, 9370, 9380, 9390	2001	375	—	18981-1	32.00	392995A1	8	Marked 388710A1
Cummins 855	9350, 9370, 9380, 9390	2001-2002	375	—	18981-2	32.00	392995A1	8	Marked 430406A1
<b>Dodge</b>									
Cummins ISB	Pickup Truck	1987-1991	—	—	17359-1	—	—	—	Marked 159 Replaced by 17427-1
Cummins ISB	Pickup Truck	1987-1997	—	—	17427-1	—	—	—	Marked 096
Cummins ISB	Pickup Truck	1998-1999	—	—	18448-2	22.00	—	7	Marked 615AB
Cummins ISB	Pickup Truck	2000-2002	—	—	18663-1	22.00	—	7	Marked 52028894AA
Cummins ISB	Pickup Truck	2003	—	—	010011648	26.00	4735-43930-01	9	Marked 52028879AF
Cummins ISB	Pickup Truck	2004	—	—	010020427	26.00	4735-43930-01	9	Marked 55056990AA
<b>Ford</b>									
Ford 6.6L	Cargo	1985-1990	—	—	16907-3	21.00	917104	7	Crank mounted
Ford 6.6L	Cargo	1991-2001	—	—	17637-2	27.00	4035-38164-77	8	Marked F1HT-DA Crank mounted
Ford 6.6L	Cargo	1991-2001	—	—	17874-2	24.00	4035-40518-06	9	Marked F1HT-CA Crank mounted
Ford 7.8 L	CF	1989-1993	—	—	196569	25.00	917978	6	
Ford 7.8 L	CF	1989-1993	—	—	196568	23.40	917110	6	
Ford 7.8 L	CF	1989-1993	—	—	196569	25.00	917890	6	
Ford 6.6 L	CF	1987-1988	—	—	189002	23.40	917866	6	
Ford 6.6 L	CF	1989-1992	—	—	196568	23.40	917866	6	
Ford 6.6 L	CF	1993	—	—	198039	25.00	917978	6	
Ford 6.6L & 7.8L	F, B, L	1988-1993	—	—	17487-3	22.00	917900	7	Marked ED-E8HT-RA
Ford 6.6L & 7.8L	F, B, L	1991-2001	—	—	17740-3	22.00	4035-40518-04	9	Marked F7HT-DA
Ford 6.6L & 7.8L	F, B, L	1991-2001	—	—	17908-2	22.00	4035-40518-04	9	Marked E1HT-FA
International 6.9L	F, E	1986-1990	—	—	17880-2	—	E6TA-8600-HA	—	Marked F2UA-DA
International 6.9L	F, E	1991-1992	—	—	17966-1	22.00	918609	10	Marked F2TA-JA
International 7.3 L	F, E	1993-1994	—	—	18114-1	22.00	918609	10	Marked F3TA-HA
International 7.3 L	F, E	1995-1997	—	—	18589-2	23.25	4035-43641-01	9	Marked F8UA-AA CCW rotation
International 7.3 L	F, E	1998-2002	—	—	18496-1	23.25	4035-43641-01	9	Marked F81A-DA CCW rotation
International 7.3 L	F	1995-1998	—	—	168395	23.00	918673	7	
International 6.9 L	F	1983-1991	—	—	189952	22.00	—	8	
International 6.0 L	F, E Excursion	2003	—	—	010010733	23.25	4035-44051-01	9	Marked 3C34-8A616-AD CCW Rotation!!!
International 6.0 L	F, E Excursion	2003	—	—	010019035	23.25	4035-44051-01	9	Marked 3C34-8A616-AE CCW Rotation!!!
International 6.0 L	F, E Excursion	2003-2004	—	—	010018958	23.25	4035-44051-01	9	Marked 4C34-8A616-AB CCW Rotation!!!

Engine Make & Model	Vehicle Model	Vehicle Year	HP	Mounting / Hub Assembly P/N	Drive / Clutch Assembly P/N	DIA INS	Fan P/N	BLADES	Notes
International 6.0 L	F, E Excursion Snow Plow Pkg	2004	—	—	010020619	23.25	4035-44051-01	9	Marked 4C34-8A616-SPA CCW Rotation!!!
Cat 3176	Aeromax, Louisville	1995-1998	—	1077-08133-02	1090-08500-01	28.50	4735-41498-01	9	
Cat 3176	Aeromax, Louisville	1995-1998	—	1077-08133-03	1090-08500-01	28.50	4735-41498-01	9	2100 RPM
Cat 3208	B, F	1982-1991	—	—	17398-1	22.00	916915	7	Marked E3HZ-8A616-G
Cat 3208	C	1984-1991	—	—	196568	23.40	917110	7	
Cat 3208	C	1987-1991	—	—	198039	26.00	917501	8	
Cat 3208	LN	1982-2001	—	—	17337-2	22.00	917104	7	Marked E3HT-JA
Cat 3406	Aeromax, Louisville	1995-1998	—	1077-08115-02	1090-08500-01	28.50	4735-41498-01	9	
Cat 3406	Aeromax, Louisville	1995-1998	—	1077-08115-04	1090-08500-01	28.50	4735-41498-01	9	2100 RPM
Cat 3406	CL	1986	—	—	187331	30.00	917615	8	
Cat 3406	L, LTL, LTS	1990-1993	—	—	17993-1	28.00	4035-41497-03	9	Marked F2HS-AA
Cat 3406	LTL	1986	—	—	189297	33.00	917139	8	
Cat 3406E	L 9000 SERIES	1996-1998	—	1077-08131-01	1090-08500-01	28.50	4735-42957-01	9	
Cummins B Series	F, B, L	1992-1994	—	—	17926-1	24.00	4735-40518-05	9	Marked F3HT-AA
Cummins B Series	F, B, L	1995-2001	—	—	17926-3	24.00	4735-40518-05	9	Marked F7HT-BA
Cummins B Series	F, B, L	1994-2001	—	—	19026-2	26.00	4735-43480-29	9	Marked IC44-CB
Cummins C Series	F, B, L	1992-1994	—	—	17926-1	24.00	4735-40518-05	9	Marked F3HT-AA
Cummins C Series	F, B, L	1995-2001	—	—	17926-3	24.00	4735-40518-05	9	Marked F7HT-BA
Cummins C Series	F, B, L	1994-2001	—	—	19026-2	26.00	4735-43480-29	9	Marked IC44-CB
Cummins C Series	Aeromax	1996	—	1077-08163-01	1090-08500-01	26.00	4735-41497-08	9	
Cummins L10	L	1990-1995	—	—	17710-1	28.00	4035-41497-03	9	Marked F0HT-CA
Cummins L10	L, LTL	1989-1991	—	—	198847	27.00	4035-38164-77	8	
Cummins L10	LNT	1986	—	—	194854	28.00	917836	8	
Cummins M11	Aeromax, Louisville	1995-1998	—	1077-08267-02	1090-08500-01	28.50	4735-41498-01	9	
Cummins NTC	CL	1983-1987	—	—	187331	30.00	917615	8	
Cummins NTC	CL, LN, LNT	1988-1990	—	—	197141	28.00	917046	8	
Cummins NTC	CL, LN, LNT	1988	—	—	197145	28.00	917945	8	
Cummins NTC	CL, LNT	1989-1990	—	—	198038	28.00	917945	8	
Cummins NTC	CL9000	1977-1990	—	1077-07867-04	1090-08500-01	28.00	4735-41135-05	8	
Cummins NTC	CLT, L, LTL, CL	1988-1990	—	—	198387	28.00	917046	8	
Cummins NTC	LN, LNT	1984-1986	—	—	188781	28.00	916381	8	
Cummins NTC	LT	1986	—	—	193919	28.00	917046	8	
Cummins NTC	LTL	1984-1986	—	—	189297	33.00	917139	8	
Cummins N14	Aeromax, Louisville	1995-1998	—	1077-08121-02	1090-08500-03	28.50	4735-41498-01	9	
Cummins N14	Aeromax, Louisville	1995-1998	—	1077-08121-03	1090-08500-03	28.50	4735-41498-01	9	
DDC S60	Aeromax, Louisville	1996	—	1077-08113-01	1090-08500-02	28.50	4735-41498-01	9	
DDC S60	Aeromax, Louisville	1996	—	1077-08113-02	1090-08500-02	28.50	4735-41498-01	9	
DDC S60	Aeromax, Louisville	1996	—	1077-08161-01	1090-08500-02	28.50	4735-41498-01	9	
DDC S60	All 9000	1995-1998	—	1077-08113-03	1090-08500-02	28.50	4735-41498-11	9	
DDC S60	All 9000	1995-1998	—	1077-08113-02	1090-08500-02	28.50	4735-41498-11	9	
DDC 8.2 L	F, B, LN	1983-1987	—	—	184692	22.00	917101	7	

**Note:** When replacing the fan drive, use the corresponding 1090-09500 in place of the obsolete 1090-08500 series fan drive.

## Freightliner

Engine Make & Model	Vehicle Model	Vehicle Year	HP	Mounting / Hub Assembly P/N	Drive / Clutch Assembly P/N	DIA INS	Fan P/N	BLADES	Notes
Freightliner									
Cat 3126	FLN	1999-2001	ALL	1077-08166-01	1090-08500-01	26.00	4735-43217-01	9	
Cat 3126	FLN	1999-2001	ALL	1077-08166-03	1090-08500-01	24.00	4735-43217-38	9	
Cat 3126 w/o PTO	Business Class	1994-1998	—	1077-08166-01	1090-08500-01	26.00	4735-41392-32	9	
Cat 3126 w/o PTO	Business Class	1994-1998	—	1077-08166-02	1090-08500-01	26.00	4735-41392-32	9	
Cat 3126	M2	2002-2003	—	—	010010993	26.00	—	6	Marked 010010993 Service with 010018941
Cat 3126	M2	2003	—	—	010018941	26.00	—	6	Marked 010018941
Cat 3126	M2	2003	—	010020079	1090-09500-01	26.00	4735-35480-55	6	
Cat 3176	FLD 112, / FLD 120	1995-1998	ALL	1077-07770-03	1090-08500-01	30.00	4735-41392-01	9	
Cat 3176	FLB	1988-1998	ALL	1077-07770-07	1090-08500-01	30.00	4735-42904-08	8	
Cat 3176	FLB (COE)	1999	ALL	1077-07770-07	1090-08500-01	30.00	4735-42904-08	8	
Cat 3176	FLD 112	1999-2001	ALL	1077-07770-03	1090-08500-01	30.00	4735-41392-01	9	
Cat 3176	FLD 120	1999-2001	ALL	1077-07770-03	1090-08500-01	30.00	4735-41392-01	9	
Cat C7	M2 106	2003-2005	—	—	010018941	26.00	4735-38825-47	6	Marked 010018941
Cat C7	M2 106	2003-2005	—	010020079	1090-09500-01	26.00	4735-43782-03	9	805 square inch radiator
Cat C7	M2 106	2003-2005	—	010020079	1090-09500-01	28.00	4735-43782-01	9	1000 square inch radiator
Cat C10/C12	Columbia, Century 112, 120	1998-2005	—	1077-09354-02	1090-09500-01	32.00	4735-41392-08	9	Except 1350 square inch radiator
Cat C10/C12	Columbia, Century 112, 120	1998-2005	—	1077-09354-01	1090-09500-01	32.00	4735-41392-08	9	1350 square inch radiator
Cat C10/C12	Coronado 120, 132	2004-2005	—	1077-09354-02	1090-09500-01	32.00	4735-41392-08	9	
Cat C10/C12	FL112	1999-2000	ALL	1077-09021-02	1090-09500-01	30.00	4735-41392-01	9	
Cat C10/C12	FL112	2000-2001	ALL	1077-09021-04	1090-09500-01	30.00	4735-41392-01	9	
Cat C10/C12	FLD SD 112, 120, 132 Classic 112, 120, 132	1998-2005	—	1077-09354-02	1090-09500-01	32.00	4735-41392-08	9	Except 1350 square inch radiator
Cat C10/C12	FLD SD 112, 120	1998-2005	—	1077-09351-01	1090-09500-01	32.00	4735-41392-08	9	1350 square inch radiator
Cat C10/C12	FLB (COE), FLD 112	1999-2000	ALL	1077-09021-02	1090-08500-01	30.00	4735-41392-01	9	
Cat C10/C12	FLB (COE), FLD 112	2000-2001	ALL	1077-09021-04	1090-08500-01	30.00	4735-41392-01	9	
Cat C10/C12	FLD 120	1999-2000	ALL	1077-09021-02	1090-08500-01	30.00	4735-41392-01	9	
Cat C10/C12	FLD 120	2000-2001	ALL	1077-09021-04	1090-08500-01	30.00	4735-41392-01	9	
Cat C10/C12	FLH	1999-2001	ALL	1077-09021-03	1090-08500-01	32.00	4735-41135-08	8	
Cat C10/C12	FLX 112	1999-2000	ALL	1077-09021-02	1090-08500-01	30.00	4735-41392-01	9	
Cat C10/C12	FLX 112	2000-2001	ALL	1077-09021-04	1090-08500-01	30.00	4735-41392-01	9	
Cat C10/C12	FLX 120	1999-2000	ALL	1077-09021-02	1090-08500-01	30.00	4735-41392-01	9	
Cat C10/C12	FLX 120	2000-2001	ALL	1077-09021-04	1090-08500-01	30.00	4735-41392-01	9	
Cat C10/C12	M2 112, 120	1998-2005	—	1077-09354-02	1090-09500-01	32.00	4735-41392-08	9	1000/1200 square inch radiator
Cat C10/C12	M2 112, 120	1998-2005	—	1077-09354-01	1090-09500-01	32.00	4735-41392-08	9	1350 square inch radiator
Cat 3306	FLB	1988-1998	—	1077-08071-04	1090-08500-01	30.00	4735-42904-08	8	
Cat 3306	FLD 112	1988-1998	—	1077-08071-04	1090-08500-01	30.00	4735-42904-08	8	
Cat 3306	FLB (COE)	1999	ALL	1077-08071-04	1090-08500-01	30.00	4735-42904-08	8	
Cat 3306	FLD 112	1999	ALL	1077-08071-04	1090-08500-01	30.00	4735-42904-08	8	
Cat 3306	FLD 120	1999	ALL	1077-08071-03	1090-08500-01	30.00	4735-42904-08	8	
Cat 3406	COE, CONV	1983-1991	—	—	16233-2	30.00	4035-35480-33	6	Marked 05-12225-000
Cat 3406	FLD 120	1995-1996	335	1077-07869-03	1090-08500-01	30.00	4735-42904-08	8	
Cat 3406C	FLB	1995-1997	350	1077-07869-03	1090-08500-01	30.00	4735-38825-73	6	

## Freightliner

Engine Make & Model	Vehicle Model	Vehicle Year	HP	Mounting / Hub Assembly P/N	Drive / Clutch Assembly P/N	DIA INS	Fan P/N	BLADES	Notes
Cat 3406C	FLB	1995-1997	400	1077-07869-01	1090-08500-01	30.00	4735-41392-01	9	
Cat 3406C	FLD 120	1995-1997	350	1077-07869-03	1090-08500-01	30.00	4735-42904-08	8	
Cat 3406C	FLD 120	1995-1997	425	1077-07869-01	1090-08500-01	32.00	4735-41392-08	9	
Cat 3406E	FLB	1995-1997	355	1077-07869-03	1090-08500-01	30.00	4735-38825-73	6	1350 lb-ft
Cat 3406E	FLB	1995-1997	375-410	1077-07869-03	1090-08500-01	30.00	4735-42904-08	8	
Cat 3406E	FLB	1995-1997	435-455	1077-07869-01	1090-08500-01	30.00	4735-41392-01	9	
Cat 3406E	FLD 120	1995-1997	375	1077-07869-01	1090-08500-01	30.00	4735-41392-01	9	
Cat 3406E	FLD 120	1995-1997	355	1077-07869-02	1090-08500-01	30.00	4735-42904-08	8	1350 lb-ft
Cat 3406E	FLD 120	1995-1997	410	1077-07869-02	1090-08500-01	30.00	4735-42904-08	8	
Cat 3406E	FLD 120	1998-1997	435, 455, 475	1077-07869-01	1090-08500-01	30.00	4735-41392-01	9	
Cat 3406E	FLD 120	1995-1997	500	1077-07869-01	1090-08500-01	32.00	4735-41392-08	9	
Cat 3406E	FLB (COE)	1998-2001	355	1077-09067-03	1090-08500-01	30.00	4735-38825-73	6	
Cat 3406E	FLB (COE)	1998-2001	375-410	1077-09067-03	1090-08500-01	30.00	4735-42904-08	8	
Cat 3406E	FLB (COE)	1998-2001	435-455	1077-09067-01	1090-08500-01	30.00	4735-41392-01	9	
Cat 3406E	FLD 120	1998-2001	335	1077-09067-03	1090-08500-01	30.00	4735-42904-08	8	
Cat 3406E	FLD 120	1998-2000	355	1077-09067-02	1090-08500-01	30.00	4735-42904-08	8	1450 lb-ft
Cat 3406E	FLD 120	1998-2001	375-475	1077-09067-01	1090-08500-01	30.00	4735-41392-01	9	
Cat 3406E	FLD 120	1998-2001	500	1077-09067-01	1090-08500-01	32.00	4735-41392-08	9	
Cat 3406E	FLH	1999-2001	335	1077-09067-03	1090-08500-01	32.00	4735-41135-08	8	
Cat 3406E	FLH	1999-2000	355	1077-09067-02	1090-08500-01	32.00	4735-41135-08	8	1350 lb-ft
Cat 3406E	FLH	1999-2001	375-500	1077-09067-01	1090-08500-01	32.00	4735-41393-08	9	
Cat 3406E	FLX 120	1999-2001	375, 475	1077-09067-01	1090-08500-01	30.00	4735-41392-01	9	
Cat 3406E	FLX 120	1999-2001	500	1077-09067-01	1090-08500-01	32.00	4735-41392-08	9	
Cat 3406E	FLX 120	1999-2000	355	1077-09067-02	1090-08500-01	30.00	4735-42904-08	8	1450 lb-ft
Cat 3406E	FLX 120	1999-2001	335	1077-09067-03	1090-08500-01	30.00	4735-42904-08	8	
Cat C15/C16	Century, Columbia 112, 120	1998-2005	—	010019624	1090-09500-01	32.00	4735-41392-08	9	
Cat C15/C16	Coronado 120, 132	2004-2005	—	010019624	1090-09500-01	32.00	4735-41392-08	9	
Cat C15/C16	FLD SD 112, 120, 132 Classic 112, 120, 132	2004-2005	—	010019624	1090-09500-01	32.00	4735-41392-08	9	
Cat C15/C16	M2	2004-2005	—	010019624	1090-09500-01	32.00	4735-41392-08	9	
Cummins ISC	Med Truck	1988-1990	—	—	17548-1	28.00	4035-37494-28	8	
Cummins ISC	Med Truck	1991-1995	—	—	17881-1	26.00	—	6	Marked 680-200-0126
Cummins ISC	Med Truck	1991-1995	—	—	17882-1	—	—	—	Marked 680-200-0226
Cummins ISC	Med Truck	1991-1995	—	—	17969-1	26.00	—	8	Marked BWA-17969-1
Cummins ISC	Med Truck	1991-2003	—	—	17969-1	26.00	—	9	Marked BWA-17969-1 Service with 1210-09168-09 & 4735-43782-03
Cummins ISC	Med Truck	2004	—	—	1210-09168-09	26.00	—	9	
Cummins ISC	M2 106, 112, 120	2003-2005	—	—	010018941	27.00	—	6	Marked 010018941
Cummins ISC	M2 106, 112, 120	2003-2005	—	—	1210-09168-09	26.00	4735-43782-03	9	
Cummins C Series	FL 106 Business Class	1994-2001	—	1077-08099-01	1090-08500-01	26.00	4735-41391-32	9	
Cummins ISC	FL 80	1996-2001	—	—	18799-1	26.00	—	8	
Cummins ISC	FL106	1999-2001	ALL	1077-08099-02	1090-08500-01	26.00	4735-41392-32	9	

**Note:** When replacing the fan drive, use the corresponding 1090-09500 in place of the obsolete 1090-08500 series fan drive.



## Freightliner

Engine Make & Model	Vehicle Model	Vehicle Year	HP	Mounting / Hub Assembly P/N	Drive / Clutch Assembly P/N	DIA INS	Fan P/N	BLADES	Notes
Cummins L10	FLD 112, FLD 120	1986-1994	ALL	1077-07929-01	1090-08500-01	30.00	4735-42904-08	8	
Cummins L10	FLB	1986-1994	260-280	1077-07929-02	1090-08500-01	30.00	4735-38825-73	6	
Cummins L10	FLB	1986-1994	300-350	1077-07929-02	1090-08500-01	30.00	4735-42904-08	8	
Cummins M11	FLB, FLD120	1995-1998	ALL	1077-07929-02	1090-08500-01	30.00	4735-42904-08	8	
Cummins M11	FLB (COE)	1997-2000	ALL	1077-07929-07A	1090-08500-01	30.00	4735-42904-08	8	
Cummins M11	FLD 112	1997-2000	ALL	1077-07929-07A	1090-08500-01	30.00	4735-42904-08	8	
Cummins M11	FLD 112	1997-2000	350-370	1077-07929-08	1090-08500-01	30.00	4735-42904-08	8	
Cummins M11	FLD 120	1997-2000	ALL	1077-07929-07A	1090-08500-01	30.00	4735-42904-08	8	
Cummins M11	FLD 120	1997-2000	330	1077-07929-07A	1090-08500-01	30.00	4735-42904-08	8	
Cummins M11	FLD 120	1997-2000	350-370	1077-07929-08	1090-08500-01	30.00	4735-42904-08	8	
Cummins M11	FLX 112	1997-2000	330	1077-07929-07A	1090-08500-01	30.00	4735-42904-08	8	
Cummins M11	FLX 112	1997-2000	350, 370	1077-07929-08	1090-08500-01	30.00	4735-42904-08	8	
Cummins M11	FLX 120	1997-2000	330	1077-07929-07A	1090-08500-01	30.00	4735-42904-08	8	
Cummins M11	FLX 120	1997-2000	350, 370	1077-07929-08	1090-08500-01	30.00	4735-42904-08	8	
Cummins ISM	FL112	1997-2000	330	1077-07929-07A	1090-08500-01	30.00	4735-42904-08	8	
Cummins ISM	FL112	1997-2000	350-370	1077-07929-08	1090-08500-01	30.00	4735-42904-08	8	
Cummins ISM	FL112	1998-2001	< 400	1077-09118-01	1090-08500-01	30.00	4735-42904-08	8	< 5 degree engine angle Man. trans. only
Cummins ISM	FL112	1998-2001	400	1077-09118-01	1090-08500-01	30.00	4735-41392-01	9	< 5 degree engine angle
Cummins ISM	FL112	1998-2001	< 400	1077-09118-01	1090-08500-01	30.00	4735-41134-01	8	5 degree engine angle Man. trans. only
Cummins ISM	FL112	1998-2001	400	1077-09118-01	1090-08500-01	30.00	4735-41393-01	9	5 degree engine angle
Cummins ISM	FLD	1998-2001	—	1077-09118-02	1090-08500-01	30.00	4735-41392-01	9	
Cummins ISM	FLD	1998-2001	< 400	1077-09122-01	1090-08500-01	30.00	4735-42904-08	8	Man. trans. only
Cummins ISM	FLD	1998-2001	400	1077-09122-01	1090-08500-01	30.00	4735-41392-01	9	
Cummins ISM	FLH	1998-2001	330-370	1077-09118-03	1090-08500-01	32.00	4735-41135-08	8	
Cummins ISM	FLX	1998-2001	< 400	1077-09118-01	1090-08500-01	30.00	4735-42904-08	8	< 5 degree engine angle Man. trans. only
Cummins ISM	FLX	1998-2001	400	1077-09118-01	1090-08500-01	30.00	4735-41392-01	9	< 5 degree engine angle
Cummins ISM	FLX	1998-2001	< 400	1077-09118-01	1090-08500-01	30.00	4735-41134-01	8	5 degree engine angle Man. trans. only
Cummins ISM	FLX	1998-2001	400	1077-09118-01	1090-08500-01	30.00	4735-41393-01	9	5 degree engine angle
Cummins NTC	COE, CONV	1983-1991	—	—	16233-2	30.00	4035-35480-33	6	Marked 05-12225-000
Cummins NTC400	COE, CONV	1986-1990	—	—	17038-1	30.00	4035-38585-02	8	
Cummins BCIV, NTC	All	1988-1998	ALL	1077-07927-01	1090-08500-01	30.00	4735-42904-08	8	
Cummins N14	FLB	1991-1998	310-350	1077-07867-05	1090-08500-01	30.00	4735-35480-05	6	
Cummins N14	FLB	1986-1994	330	1077-07867-05	1090-08500-01	30.00	4735-41134-01	8	
Cummins N14	FLB	1995-1998	370, 410	1077-07867-05	1090-08500-01	30.00	4735-41134-01	8	
Cummins N14	FLB	1995-1998	310-390	1077-07867-05	1090-08500-01	30.00	4735-41134-01	8	ESP
Cummins N14	FLB	1986-1994	350-370	1077-07867-05	1090-08500-01	30.00	4735-41392-01	9	
Cummins N14	FLB	1995-1998	430, 435, 460	1077-07867-05	1090-08500-01	30.00	4735-41392-01	9	
Cummins N14	FLB (COE)	1999	310-350	1077-07867-05	1090-08500-01	30.00	4735-35480-05	6	
Cummins N14	FLB (COE)	1999	410, 460	1077-07867-05	1090-08500-01	30.00	4735-41393-01	9	
Cummins N14	FLD 120	1986-1994	310	1077-07867-05	1090-08500-01	30.00	4735-35480-05	6	
Cummins N14	FLD 120	1995	310-315	1077-07867-05	1090-08500-01	30.00	4735-35480-05	6	

Engine Make & Model	Vehicle Model	Vehicle Year	HP	Mounting / Hub Assembly P/N	Drive / Clutch Assembly P/N	DIA INS	Fan P/N	BLADES	Notes
Cummins N14	FLD 120	1988-1998	310-350	1077-07927-01	1090-08500-01	30.00	4735-38825-73	6	
Cummins N14	FLD 120	1986-1994	330	1077-07867-05	1090-08500-01	30.00	4735-41134-01	8	
Cummins N14	FLD 120	1995-1998	370, 410	1077-07867-05	1090-08500-01	30.00	4735-41134-01	8	
Cummins N14	FLD 120	1995-1998	310-390	1077-07867-05	1090-08500-01	30.00	4735-41134-01	8	ESP
Cummins N14	FLD 120	1986-1994	350-370	1077-07867-05	1090-08500-01	30.00	4735-41392-01	9	
Cummins N14	FLD 120	1995-1998	430, 435, 460	1077-07867-05	1090-08500-01	30.00	4735-41392-01	9	
Cummins N14	FLD 120	1995-1998	430, 435, 460, 500	1077-07867-05	1090-08500-01	30.00	4735-42904-08	8	
Cummins N14	FLD 120	1995-1998	370, 410	1077-07927-01	1090-08500-01	30.00	4735-42904-08	8	
Cummins N14	FLD 120	1995-1998	310-390	1077-07927-01	1090-08500-01	30.00	4735-42904-08	8	ESP
Cummins N14	FLD 120	1999	310-350	1077-07867-05	1090-08500-01	30.00	4735-35480-05	6	
Cummins N14	FLD 120	1999	370-410	1077-07867-05	1090-08500-01	30.00	4735-41134-01	8	
Cummins N14	FLD 120	1999	430-460	1077-07867-05	1090-08500-01	30.00	4735-41392-01	9	
Cummins N14	FLD 120	1999-2002	310-350	1077-07927-01	1090-08500-01	30.00	4735-35480-05	6	
Cummins N14	FLD 120	1999-2002	370-410	1077-07927-01	1090-08500-01	30.00	4735-41134-01	8	
Cummins N14	FLD 120	1999-2002	430-460	1077-07927-01	1090-08500-01	30.00	4735-41392-01	9	
Cummins N14	FLD120	2001-2003	40-460	1077-07927-02	1090-08500-01	30.00	4735-41392-01	9	
Cummins N14	FLD 120	1999-2002	525	1077-07927-01	1090-08500-01	32.00	4735-41392-08	9	
Cummins N14	FLD120	2001-2003	525	1077-07927-02	1090-08500-01	32.00	4735-41392-08	9	
Cummins ISX	FLD 120	1999-2000	ALL	1077-09077-04	1090-08500-01	32.00	4735-41392-08	9	
Cummins N14	FLX 120	1999-2000	310, 350	1077-08225-01	1090-08500-01	30.00	4735-35480-05	6	
Cummins N14	FLX 120	2001	310, 350	1077-08225-02	1090-08500-01	30.00	4735-35480-05	6	
Cummins N14	FLX 120	1999-2000	370, 410	1077-08225-01	1090-08500-01	30.00	4735-41134-01	8	
Cummins N14	FLX 120	2001	370, 410	1077-08225-02	1090-08500-01	30.00	4735-41134-01	8	
Cummins N14	FLX 120	1999-2000	430, 460	1077-08225-01	1090-08500-01	30.00	4735-41392-01	9	
Cummins N14	FLX 120	2001	430, 460	1077-08225-02	1090-08500-01	30.00	4735-41392-01	9	
Cummins N14	FLX 120	1999-2000	525	1077-08225-01	1090-08500-01	32.00	4735-41392-08	9	
Cummins N14	FLX 120	2001	525	1077-08225-02	1090-08500-01	32.00	4735-41392-08	9	
Cummins ISX	FLX 120	1999-2001	ALL	1077-09077-03	1090-08500-01	32.00	4735-41392-08	9	
Cummins ISX	FLH	1999-2001	600	1077-09077-02	1090-08500-01	32.00	4735-41393-08	9	
DDC S50	FL106	1999-2001	ALL	1077-07895-04	1090-08500-01	28.00	4735-41391-05	9	
DDC S50	FL106	1999-2001	ALL	1077-09059-01	1090-08500-01	28.00	4735-41391-05	9	
DDC S50	FLD 120	1999-2001	ALL	1077-07895-04	1090-08500-01	30.00	4735-42904-08	8	
DDC S55	FL112	1999	ALL	1077-08181-01	1090-08500-01	30.00	4735-41392-01	9	
DDC S55	FLB (COE)	1999	ALL	1077-08183-01	1090-08500-01	30.00	4735-41392-01	9	
DDC S55	FLD 112	1999	ALL	1077-08183-01	1090-08500-01	30.00	4735-41392-01	9	
DDC S55	FLD 120	1999	ALL	1077-08181-01	1090-08500-01	30.00	4735-41392-01	9	
DDC S55	FLD 120	1999	ALL	1077-08183-01	1090-08500-01	30.00	4735-41392-01	9	
DDC S55	FLH	1999	ALL	1077-08181-01	1090-08500-01	32.00	4735-41135-08	8	
DDC S55	FLX 112	1999	ALL	1077-08181-01	1090-08500-01	30.00	4735-41392-01	9	
DDC S55	FLX 120	1999	ALL	1077-08181-01	1090-08500-01	30.00	4735-41392-01	9	

**Note:** When replacing the fan drive, use the corresponding 1090-09500 in place of the obsolete 1090-08500 series fan drive.

## Freightliner

Engine Make & Model	Vehicle Model	Vehicle Year	HP	Mounting / Hub Assembly P/N	Drive / Clutch Assembly P/N	DIA INS	Fan P/N	BLADES	Notes
DDC S60	Century 112, 120	2004-2005	ALL	1077-09289-01	1090-09500-01	32.00	4735-41392-08	9	
DDC S60	Columbia 112, 120	2004-2005	ALL	1077-09287-01	1090-09500-01	32.00	4735-41392-08	9	1000/1200 square inch radiator
DDC S60	Columbia 112, 120	2004-2005	ALL	1077-09289-01	1090-09500-01	32.00	4735-41392-08	9	1350square inch radiator
DDC S60	Coronado 120, 132	2004-2005	ALL	1077-09287-01	1090-09500-01	32.00	4735-41392-08	9	
DDC S60	FLB (COE)	1999-2001	300	1077-07895-04	1090-08500-01	30.00	4735-38825-73	6	
DDC S60	FLB (COE)	1999-2001	320, 430	1077-07895-04	1090-08500-01	30.00	4735-42904-08	8	
DDC S60	FLB (COE)	1999-2001	470	1077-07895-04	1090-08500-01	30.00	4735-41392-01	9	
DDC S60	FLD 112	1999-2001	ALL	1077-07895-04	1090-08500-01	30.00	4735-42904-08	8	
DDC S60	FLD SD 112, 120 Classic 112, 120	2004-2005	ALL	1077-09287-01	1090-09500-01	32.00	4735-41392-08	9	1000/1200 square inch radiator
DDC S60	FLD SD 112, 120	2004-2005	ALL	1077-09289-01	1090-09500-01	32.00	4735-41392-08	9	1350 square inch radiator
DDC S60	FLD 120	1999	300, 325	1077-07895-02	1090-08500-01	30.00	4735-38825-73	6	
DDC S60	FLD 120	1999-2001	330, 350	1077-07895-03	1090-08500-01	30.00	4735-42904-08	8	
DDC S60	FLD 120	1999	365	1077-07895-01	1090-08500-01	30.00	4735-41392-01	9	
DDC S60	FLD 120	1999	360	1077-07895-02	1090-08500-01	30.00	4735-38825-73	6	
DDC S60	FLD 120	1999-2001	360	1077-07895-04	1090-08500-01	30.00	4735-42904-08	8	
DDC S60	FLD 120	1999	370	1077-07895-01	1090-08500-01	30.00	4735-41392-01	9	
DDC S60	FLD 120	1999-2001	370	1077-07895-03	1090-08500-01	30.00	4735-42904-08	8	
DDC S60	FLD 120	1999-2001	425, 450	1077-07895-04	1090-08500-01	30.00	4735-42904-08	8	
DDC S60	FLD 120	1999-2001	470, 500	1077-07895-04	1090-08500-01	30.00	4735-41392-01	9	
DDC S60	FLD 120	1999-2001	510	1077-07895-04	1090-08500-01	32.00	4735-41392-08	9	
DDC S60	FLD SD 120, 132 Classic 120, 132	2004-2005	All	1077-09287-01	1090-09500-01	32.00	4735-41392-08	9	1400/1500 square inch radiator
DDC S60	FLH	1999-2001	330-350	1077-09059-02	1090-08500-01	32.00	4735-41135-08	8	
DDC S60	FLH	1999	365	1077-09059-04	1090-08500-01	32.00	4735-41135-08	8	
DDC S60	FLH	1999-2001	360	1077-09059-01	1090-08500-01	32.00	4735-41135-08	8	
DDC S60	FLH	1999	360	1077-09059-03	1090-08500-01	32.00	4735-41135-08	8	
DDC S60	FLH	1999	370	1077-09059-04	1090-08500-01	32.00	4735-41135-08	8	
DDC S60	FLH	1999-2001	450-510	1077-09059-01	1090-08500-01	32.00	4735-41392-08	9	
DDC S60	FLX 120	1999	300, 325	1077-07895-02	1090-08500-01	30.00	4735-38825-73	6	
DDC S60	FLX 120	1999-2001	330, 350	1077-07895-03	1090-08500-01	30.00	4735-42904-08	8	
DDC S60	FLX 120	1999	365	1077-07895-01	1090-08500-01	30.00	4735-41392-01	9	
DDC S60	FLX 120	1999	360	1077-07895-02	1090-08500-01	30.00	4735-38825-73	6	
DDC S60	FLX 120	1999	370	1077-07895-01	1090-08500-01	30.00	4735-41392-01	9	
DDC S60	FLX 120	1999-2001	370	1077-07895-03	1090-08500-01	30.00	4735-42904-08	8	
DDC S60	FLX 120	1999-2001	360, 450	1077-07895-04	1090-08500-01	30.00	4735-42904-08	8	
DDC S60	FLX 120	1999-2001	470, 500	1077-07895-04	1090-08500-01	30.00	4735-41392-01	9	
DDC S60	FLX 120	1999-2001	510	1077-07895-04	1090-08500-01	32.00	4735-41392-08	9	
DDC S60	M2 112, 120	2004-2005	ALL	1077-09287-01	1090-09500-01	32.00	4735-41392-08	9	1000/1200 square inch radiator
DDC S60	M2 112, 120	2004-2005	ALL	1077-09289-01	1090-09500-01	32.00	4735-41392-08	9	1350 square inch radiator
Mercedes BR900	FL60/70/80	1999-2003	ALL	—	18801-1	24.00	4735-41392-44	9	Marked ETN EV-18801-1
Mercedes BR900	M2	2002-2003	ALL	—	010010992	26.00	—	6	Marked 010010992 Service with 010011790
Mercedes BR900	M2	2003	ALL	—	010011790	26.00	—	6	Marked 010011790

## Freightliner | GM | International

Engine Make & Model	Vehicle Model	Vehicle Year	HP	Mounting / Hub Assembly P/N	Drive / Clutch Assembly P/N	DIA INS	Fan P/N	BLADES	Notes
Mercedes 900	M2 106	2004-2005	All	—	010020164	26.00	4735-35480-55	6	1000 square inch radiator Not water pump mount
Mercedes 900	M2 106	2004-2005	All	—	1210-09168-10	26.00	4735-48789-03	9	805 square inch radiator Not water pump mount
Mercedes 4000	Century, Columbia 112, 120	2004-2005	ALL	1077-09246-01	1090-09500-01	32.00	4735-41392-08	9	1000/1200 square inch radiator
Mercedes 4000	Century, Columbia 112, 120	2004-2005	ALL	010018953	1090-09500-01	32.00	4735-41392-08	9	1350 square inch radiator
Mercedes 4000	Coronado 120, 132	2004-2005	ALL	1077-09246-01	1090-09500-01	32.00	4735-41392-08	9	
Mercedes 4000	FLD SD 112, 120 Classic 112, 120	2004-2005	ALL	1077-09246-01	1090-09500-01	32.00	4735-41392-08	9	1000/1200 square inch radiator
Mercedes 4000	FLD SD 112, 120	2004-2005	ALL	010018953	1090-09500-01	32.00	4735-41392-08	9	1350 square inch radiator
Mercedes 4000	FLD SD 120, 132 Classic 120, 132	2004-2005	ALL	1077-09246-01	1090-09500-01	32.00	4735-41392-08	9	1400/1500 square inch radiator
Mercedes 4000	M2 112, 120	2004-2005	ALL	1077-09246-01	1090-09500-01	32.00	4735-41392-08	9	1000/1200 square inch radiator
Mercedes 4000	M2 112, 120	2004-2005	ALL	010018953	1090-09500-01	32.00	4735-41392-08	9	1350 square inch radiator
<b>GM</b>									
Cat 3116	GMT530	1991-1997	—	—	18192-1	24.00	15670817	7	Marked GAB
Cat 3116	GMT530	1991-1994	—	—	17898-1	26.00	15679323	7	Marked SS
Cat 3116	GMT530	1995-1996	—	—	18197-1	26.00	15679323	7	Marked GAC
Cat 3116	GMT530	1997-2001	—	—	18421-1	—	15032513	—	Marked GPK
Isuzu 6HEI	GMT540	1997	—	—	18426-1	24.50	4735-41393-111	9	Marked GCA
Isuzu 6HEI HO	GMT540	1997	—	—	18424-1	26.00	4735-41393-34	9	Marked GBZ
<b>International</b>									
Cat 3176	2500, 2600, 8100, 8200, 8300, 9200, 9400	1988-1998	—	1077-07770-06	1090-08500-01	28.00	4735-41393-05	9	< 1350 lb-ft
Cat 3176	8100	1988-1998	—	1077-07770-06	1090-08500-01	30.00	4735-41393-01	9	≥ 1350 lb-ft
Cat 3176	9600, 9700	1988-1998	—	1077-07903-01	1090-08500-01	30.00	4735-41393-01	9	Requires use of 4022-40964-01 mounting brkt
Cat C10	2000	1997-2001	280-370	1077-07770-06	1090-08500-01	28.00	4735-41393-05	9	
Cat C10	2000, 8100	1990-1996	ALL	—	198859	30.00	4735-38585-02	8	
Cat C10	2000, 8100	1997-2001	305	—	196135	28.00	4735-38164-14	8	Man. trans. only
Cat C10	2000, 8100	1997-2001	280-335	—	198859	28.00	4735-38585-07	8	< 1350 lb-ft Man. trans.
Cat C10	5000	2002-2003	ALL	1077-09323-01	1090-09500-01	32.00	—	9	
Cat C10	7600	2002-2003	ALL	1077-09294-01	1090-09500-01	32.00	—	9	
Cat C10	8100	1997-2001	≥ 335	—	197778	30.00	4735-38585-02	8	Man. trans. only
Cat C10	8100	1997-2001	280-370	—	197778	30.00	4735-38585-02	8	Auto trans.
Cat C10	8100	1997-2001	280-370	1077-07770-06	1090-08500-01	30.00	4735-41393-01	9	Auto trans.
Cat C10	8100	1997-2001	≥ 335	1077-07770-06	1090-08500-01	30.00	4735-41393-01	9	> 1350 lb-ft Man. trans.
Cat C10	8100	1997-2001	≤ 335	1077-07770-06	1090-08500-01	28.00	4735-41393-05	9	< 1350 lb-ft Man. trans.
Cat C10	8600	2002-2003	ALL	1077-09241-01	1090-09500-01	32.00	—	9	
Cat C10	9100, 9200	1999-2001	305-335	1077-07770-06	1090-08500-01	30.00	4735-41393-01	9	
Cat C10	9100, 9200	1999-2001	305-335	—	197778	30.00	4735-38585-02	8	
Cat C10	9900	2002-2003	ALL	1077-09283-01	1090-09500-01	32	—	9	
Cat C11	5500i, 5600i, 5900i	2004-2005	ALL	010020618	1090-09500-01	32	—	—	
Cat C11	7600	2003	ALL	010020377	1090-09500-01	32	—	9	

**Note:** When replacing the fan drive, use the corresponding 1090-09500 in place of the obsolete 1090-08500 series fan drive.

## International

Engine Make & Model	Vehicle Model	Vehicle Year	HP	Mounting / Hub Assembly P/N	Drive / Clutch Assembly P/N	DIA INS	Fan P/N	BLADES	Notes
Cat C11	7600	2004-2005	ALL	010020377	1090-09500-01	30	—	9	
Cat C11	7600	2004-2005	ALL	010019574	1090-09500-01	32	—	9	
Cat C11	7600, 8600, 9200, 9400	2003	ALL	010019574	1090-09500-01	32	—	9	
Cat C11	8600, 9200i, 9400i	2004-2005	ALL	010019574	1090-09500-01	32	—	—	
Cat C11	9900	2003-2005	ALL	010019631	1090-09500-01	32	—	9	
Cat C12	2000	1997-2001	≤ 395	—	197778	30.00	4735-38585-02	8	
Cat C12	2000	1997-2001	335-410	1077-07770-06	1090-08500-01	30.00	4735-41393-01	9	
Cat C12	5000	2002-2003	ALL	1077-09323-01	1090-09500-01	32.00	—	9	
Cat C12	8600	2002-2003	ALL	1077-09323-01	1090-09500-01	32.00	—	9	
Cat C12	9100, 9200	1999-2001	355-430	1077-07770-06	1090-08500-01	30.00	4735-41393-01	9	
Cat C12	9100, 9200	1999-2001	355-430	—	197778	30.00	4735-38585-02	8	
Cat C12	9900	2002-2003	—	1077-09283-01	1090-09500-01	32	—	9	
Cat C12	5500i, 5600i, 5900i	2004-2005	—	010020618	1090-09500-01	32	—	—	
Cat C12	7600	2003	—	010020377	1090-09500-01	32	—	9	
Cat C12	7600	2004-2005	—	010020377	1090-09500-01	30	—	9	
Cat C12	7600	2004-2005	—	010019574	1090-09500-01	32	—	9	
Cat C12	7600, 8600, 9200, 9400	2003	—	010019574	1090-09500-01	32	—	9	
Cat C12	8600, 9200i, 9400i	2004-2005	—	010019574	1090-09500-01	32	—	—	
Cat C12	9900	2003-2005	—	010019631	1090-09500-01	32	—	9	
Cat 3406	8200, 8300	1987-1993	—	1077-07869-04	1090-08500-01	28.00	4735-41393-05	9	
Cat 3406	9300, 9600, 9700	1986-1993	—	1077-07908-01	1090-08500-01	30.00	4735-41393-01	9	
Cat 3406	9370, 9670	1988-1992	300-375	—	196133	28.00	916797	8	
Cat 3406	9370, 9670	1988-1992	300-375	—	196135	28.00	917627	8	
Cat 3406C	8200, 8300, 9300, 9400	1994-1997	—	1077-08031-01	1090-08500-01	30.00	4735-41393-01	9	
Cat 3406	9400, 9900	1999-2002	—	1077-08257-03	1090-08500-01	30.00	4735-41393-01	9	
Cat 3406E	9300	1999	355-500	1077-08031-01	1090-08500-01	30.00	4735-41392-01	9	
Cat 3406E	9400	1998-1999	355-500	1077-08257-01	1090-08500-01	30.00	4735-41393-01	9	
Cat 3406E	9600, 9700	1994-1998	—	1077-08033-01	1090-08500-01	30.00	4735-41393-01	9	
Cat 3406E	5000, 9300	1999-2002	—	1077-08031-02	1090-09500-01	30	4735-41392-01	9	
Cat 3406E	9400, 9900	1999-2002	—	1077-08257-03	1090-08500-01	30	4735-41393-01	9	
Cat 3406E	9400, 9300	2000	—	1077-08257-02	1090-08500-01	30	4735-41392-01	9	
Cat C15	5000	2002-2003	—	1077-09322-01	1090-09500-01	32	—	9	
Cat C15	9200	2002-2003	—	1077-09291-01	1090-09500-01	32	—	9	
Cat C15	9400	2002-2003	—	1077-09273-01	1090-09500-01	32	—	9	
Cat C15	9900	2002-2003	—	1077-09271-01	1090-09500-01	32	—	9	
Cat C15/C16	5500i, 5600i, 5900i	2004-2005	—	1077-09322-01	1090-09500-01	32	—	—	
Cat C15/C16	9200i	2004-2005	—	1077-09291-01	1090-09500-01	32	—	—	
Cat C15/C16	9400i	2004-2005	—	1077-09273-01	1090-09500-01	32	—	—	
Cat C15/C16	9900i	2004-2005	< 550	1077-09271-01	1090-09500-01	32	—	—	
Cat C15/C16	9900i	2004-2005	550	010020417	1090-09500-01	32	—	—	
Cummins L10	2000, 8100	1990-1994	—	—	198859	30.00	4735-38585-02	8	

Engine Make & Model	Vehicle Model	Vehicle Year	HP	Mounting / Hub Assembly P/N	Drive / Clutch Assembly P/N	DIA INS	Fan P/N	BLADES	Notes
Cummins L10	2500, 2600, 8100, 8200, 8300, 9200, 9300	1991-1994	—	1077-08039-01	1090-08500-01	28.00	4735-41393-05	9	
Cummins L10	8100	1991-1994	—	1077-08039-01	1090-08500-01	30.00	4735-41393-01	9	1350 lb-ft only
Cummins L10	8100	1986-1990	—	1077-07738-06	1090-08500-01	30.00	4735-41393-01	9	w/Cummins bracket 3819984
Cummins L10	8200, 8300, 9200	1986-1990	—	1077-07738-06	1090-08500-01	28.00	4735-41393-05	9	w/Cummins bracket 3819986
Cummins L10	9300, 9600, 9700	1986-1990	—	1077-07911-01	1090-08500-01	28.00	4735-41393-05	9	
Cummins L10	9600, 9700	1991-1994	—	1077-07911-01	1090-08500-01	30.00	4735-41392-01	9	
Cummins L10	9800	1991-1994	—	1077-08234-01	1090-08500-01	30.00	4735-41393-01	9	
Cummins M11	2000, 8100	1995-1998	—	—	198859	30.00	4735-38585-02	8	
Cummins M11	2500, 2600, 8100, 8200, 8300, 9200, 9300	1995-1998	—	1077-08039-01	1090-08500-01	28.00	4735-41393-05	9	
Cummins M11	8100	1995-1998	—	1077-08039-01	1090-08500-01	30.00	4735-41393-01	9	1350 lb-ft only
Cummins M11	9600, 9700	1995-1998	—	1077-07911-01	1090-08500-01	30.00	4735-41392-01	9	
Cummins M11	9800	1995-1998	—	1077-08234-01	1090-08500-01	30.00	4735-41393-01	9	
Cummins ISM	2000	1999-2001	280-400	1077-08039-02	1090-08500-01	28.00	4735-41393-05	9	
Cummins ISM	2000, 8100	1999-2001	280-330	—	196135	28.00	4735-38164-14	8	Man. trans. only
Cummins ISM	2000, 8100	1999-2001	280-330	—	198859	28.00	4735-38585-07	8	Man. trans. only
Cummins ISM	5000	2002-2003	—	1077-09333-01	1090-09500-01	32	—	9	Service with 1293-09370-01
Cummins ISM	5000	2003	—	1077-09369-01	1090-09500-01	32	—	9	
Cummins ISM	5500i, 5600i, 7600	2004-2005	—	1077-09369-01	1090-09500-01	32	—	—	
Cummins ISM	7600	2002-2003	—	1077-09122-07	1090-09500-01	32	—	9	Service with 1293-09370-02
Cummins ISM	7600	2003	—	1077-09369-02	1090-09500-01	32	—	9	
Cummins ISM	8100	1999-2001	330-370	—	197778	30.00	4735-38585-02	8	Man. trans. only
Cummins ISM	8100	1999-2001	280-370	1077-08039-02	1090-08500-01	30.00	4735-41393-01	9	Auto trans.
Cummins ISM	8100	1999-2001	≥ 330	1077-08039-02	1090-08500-01	30.00	4735-41393-01	9	Man. trans.
Cummins ISM	8100	1999-2001	< 330	1077-08039-02	1090-08500-01	28.00	4735-41393-05	9	Man. trans.
Cummins ISM	8600	2002-2003	—	1077-09126-04	1090-09500-01	32	—	9	Service with 010020173
Cummins ISM	8600	2003-2005	—	010020174	1090-09500-01	32	—	9	
Cummins ISM	9200	2002-2003	—	1077-09118-08	1090-09500-01	32	—	9	
Cummins ISM	9200	2003	—	1077-09373-01	1090-09500-01	32	—	9	
Cummins ISM	9200i, 9400i	2004-2005	—	1077-09373-01	1090-09500-01	32	—	—	
Cummins ISM	9100, 9200, 9800	1999-2001	280-400	1077-08234-02	1090-08500-01	30.00	4735-41392-01	9	
Cummins NTC	8100	1987-1991	—	—	196103	28.00	917627	8	
Cummins NTC	9370, 9670	1980-1988	290-350	—	188607	28.00	917627	8	
Cummins NTC	9370, 9670	1980-1988	290-350	—	187182	28.00	916797	8	
Cummins NTC	9370, 9670	1985-1988	300-350	—	198249	28.00	4735-38585-07	8	
Cummins NTC	9370, 9670	1980-1988	400	—	188958	32.00	916949	8	
Cummins NTC	9370, 9670, 9700	1981-1990	—	1077-07867-01	1090-08500-01	28.00	4735-41392-05	9	
Cummins N14	2000	1999-2001	350-460	1077-08035-01	1090-08500-01	28.00	4735-41393-05	9	
Cummins N14	2000	1999-2001	350-370	—	197778	30.00	4735-38585-02	8	

**Note:** When replacing the fan drive, use the corresponding 1090-09500 in place of the obsolete 1090-08500 series fan drive.

## International

Engine Make & Model	Vehicle Model	Vehicle Year	HP	Mounting / Hub Assembly P/N	Drive / Clutch Assembly P/N	DIA INS	Fan P/N	BLADES	Notes
Cummins N14	2500, 2600, 5000, 8200, 9300	1994-2001	—	1077-08035-01	1090-08500-01	30.00	4735-41393-01	9	
Cummins N14	8300, 9400, 9600, 9700	1991-2001	—	1077-07899-01	1090-08500-01	30.00	4735-41393-01	9	
Cummins N14	9100, 9200	1998-2001	330-460	1077-08231-01	1090-08500-01	30.00	4735-41392-16	9	
Cummins N14	9300	1999	330-460	1077-09017-01	1090-08500-01	30.00	4735-41392-16	9	
Cummins N14	9300	1999	> 460	1077-09017-01	1090-08500-01	32.00	4735-41392-08	9	
Cummins N14	9370, 9670	1988-1990	300-350	—	194767	28.00	916797	8	
Cummins N14	9370, 9670	1991-1998	300-365	—	197778	28.00	916797	8	
Cummins N14	9400	1999-2001	330-525	1077-08231-01	1090-08500-01	30.00	4735-41392-16	9	
Cummins N14	9800	1999-2001	330-460	1077-07899-01	1090-08500-01	30.00	4735-41393-01	9	
Cummins N14	9900	1999-2001	330-525	1077-08231-01	1090-08500-01	30.00	4735-41392-16	9	
Cummins N14TYCO	9800	1999-2001	330-460	1077-07899-01	1090-08500-01	31.00	4735-41393-12	9	
Cummins NT88	8000, 9600, 9670, 9700	1988-1998	—	1077-07867-01	1090-08500-01	30.00	4735-41393-01	9	
Cummins NT88	Paystar	1988-1998	—	1077-07986-01	1090-08500-01	28.00	4735-41392-05	9	
Cummins ISX	5000	2002-2003	—	1077-09319-01	1090-09500-01	32	—	9	
Cummins ISX	5500i, 5600i, 5900i	2004-2005	—	1077-09319-01	1090-09500-01	32	—	—	
Cummins ISX	9200i, 9400i	2004-2005	—	1077-09277-01	1090-09500-01	32	—	—	
Cummins ISX	9400	2002-2003	—	1077-09277-01	1090-09500-01	32	—	9	
Cummins ISX	9900	2002-2003	—	1077-09279-01	1090-09500-01	32	—	9	
Cummins ISX	9900i	2004-2005	—	1077-09279-01	1090-09500-01	32	—		
Cummins AHD	9400, 9800	1999-2001	ALL	1077-09111-01	1090-08500-01	32.00	4735-41393-08	9	
DDC S60	8200, 9400	1991-1998	—	1077-07956-01	1090-08500-01	30.00	4735-41393-01	9	1077-07401-01 idler pulley for 12" & 13" fan centers
DDC S60	9100, 9200	1998-1999	330-365	1077-07905-02	1090-08500-01	30.00	4735-41393-01	9	< 1650 lb-ft
DDC S60	9100, 9200	1998-1999	370-430	1077-07905-02	1090-08500-01	30.00	4735-41393-01	9	< 1650 lb-ft
DDC S60	9100, 9200	1998-1999	430-500	1077-07905-02	1090-08500-01	31.00	4735-41393-12	9	> 1650 lb-ft
DDC S60	9200, 9300, 9600, 9700, 9800	1994-1998	—	1077-07905-02	1090-08500-01	30.00	4735-41393-01	9	
DDC S60	9300	1999	330-500	1077-07905-02	1090-08500-01	30.00	4735-41393-01	9	
DDC S60	9800	1999	330-365	1077-07905-02	1090-08500-01	30.00	4735-41393-01	9	
DDC S60	9800	1999	370-500	1077-07905-02	1090-08500-01	31.00	4735-41393-12	9	
DDC S60	9400, 9900	1999	330-500	1077-07956-02	1090-08500-01	30.00	4735-41393-01	9	
DDC S60	9100, 9200, 9400	1999-2000	—	1077-07956-03	1090-08500-01	30	4735-41392-01	9	
DDC S60	9100, 9200, 9400	2000	—	1077-07905-02	1090-08500-01	30	4735-41392-01	9	
International 6.9L	S Series	1985-1987	—	—	166301	22.00	917692	6	
International 7.3L	S Series	1988-1993	—	—	167222	22.00	918031	6	
International T444E	3000, 4700	1995-2000	175-230	—	167421	24.00	918694	7	See footnote 1
International T444E	3000, 4700	1995-2000	175-230	—	167071	24.00	918694	7	See footnote 1
International T444E	3000	2000-2003	175	—	1210-09156-02	24.00	918693	7	No A/C Man. trans. Only Service w/ 010020791
International T444E	3000, 4700	1995-2000	175-230	—	167981	24.00	918694	7	See footnote 1
International T444E	3600, 3800, 4700, 4700LP	1997-2000	< 230	—	167981	24.00	918694	7	

**Footnote 1** If 24" fan blade, use 1210-09157-05 750 clutch & 4735-43787-01 fan blade or if 23.23" fan blade, use 1210-09157-05 750 clutch & 4735-43787-02 fan blade

Engine Make & Model	Vehicle Model	Vehicle Year	HP	Mounting / Hub Assembly P/N	Drive / Clutch Assembly P/N	DIA INS	Fan P/N	BLADES	Notes
International T444E	3600, 3800, 4700, 4700LP	1997-2000	230+	—	167421	24.00	918693	7	Man. trans. only See footnote 1
International T444E	3800, 4700	2001-2003	175	—	1210-09156-02	24.00	918693	7	No A/C Man. trans. Only Service w/ 010020791
International T444E	3800, 4700	2000-2003	190+	—	1210-09157-05	24.00	4735-43787-01	9	Service w/ 010020509 @ 170 degree or 010020552 @ 160 degree
International T444E	4700	1997-1999	175-230	—	166283	23.00	917809	7	Front PTO Application See footnote 2
International T444E	4700LPX	1997-2000	175	—	167981	24.00	918694	7	See footnote 1
International T444E	4700LPX	1997-2000	175	—	167421	24.00	918693	7	A/C, Auto trans. See footnote 1
International T444E	4700LPX	1997-2000	190	—	167981	24.00	918694	7	Man. trans. only See footnote 1
International T444E	4700LPX	1997-2000	190	—	167421	24.00	918693	7	w/o A/C, Auto trans. See footnote 1
International T444E	4700LPX	1997-2000	190	—	167071	24.00	918693	7	A/C Auto trans. See footnote 1
International T444E	4700LPX	1997-2000	210	—	167421	24.00	918693	7	w/o A/C, Auto trans. See footnote 1
International T444E	4700LPX	1997-2000	210	—	167071	24.00	918693	7	A/C, Auto trans. See footnote 1
International T444E	RE Bus	1997-2001	ALL	—	167852	24.00	918747	7	No Longer Available - Service w/ 020003073
International T444E	RE Bus	2004-2005	ALL	—	020003074	26.00	010017527	9	
International DT360	S Series	1987-1991	—	—	166302	23.00	917870	6	
International DTA360	4900	1992-1994	—	—	166304	23.00	917870	6	
International DTA360	4900	1992-1994	—	—	169366	26.00	1647411C3	7	
International DTA360	4900	1992-1994	—	—	199812	26.00	1647411C3	7	
International DTX360	S Series	1987-1991	—	—	196181	26.00	1647411C3	7	
International DT466	2000	1997-1999	190-250	—	1090-08000-01	28.00	4735-41392-05	9	
International DT466	2000	1997-2001	190-250	—	166223	28.00	917627	8	Except 485-520 lb-ft
International DT466	3000, 4000	1995-2001	195-330	—	167341	26.00	1647411C3	7	See footnote 2
International DT466	3000, 4000	1995-2001	195-330	—	167524	26.00	1647411C3	7	See footnote 2
International DT466	3000, 4700	1995-2000	195-330	—	166054	26.00	1647411C3	7	See footnote 2
International DT466	3000, 4700	1995-2001	195-330	—	166283	26.00	1647411C3	7	See footnote 2
International DT466	3000, 4700	1995-2001	195-330	—	167046	26.00	1647411C3	7	See footnote 2
International DT466	3000, 4700	1995-2001	195-330	—	167047	26.00	1647411C3	7	See footnote 2
International DT466	3200 FE BUS	2004-2005	ALL	—	010019561	28.00	010011046	8	
International DT466	3200 FE BUS	2004-2005	ALL	—	010019556	28.00	4735-43783-05	9	
International DT466	3200, 4300, 4300LP, 4400, 4400LP	2004	≤250 HP	—	010019556	28.00	4735-43783-05	9	
International DT466	3800, 4700, 4900	2000-2003	195-330	—	1210-09157-01	26.00	1647411C3	7	Front to back aftercooler Service w/ 010020755
International DT466	4700, 4900	2000-2003	195-330	—	1210-09155-01	26.00	1647411C3	7	Side by side aftercooler Service w/ 010020755
International DT466	4300, 7300	2001-2003	< 215	—	1210-09167-03	28.00	4735-41134-24	8	
International DT466	4400, 7400	2001-2003	215+	—	1210-09168-03	28.00	4735-43783-05	9	
International DT466	4300, 4300LP, 4400, 4400LP	2004-2005	ALL	—	010019556	28.00	4735-43783-05	9	
International DT466	4900	1992-1994	—	—	199809	23.00	916612	7	
International DT466	4900	1992-1994	—	—	199811	23.00	916612	7	
International DT466	5000	1995-2001	195-330	—	167341	26.00	1647411C3	7	

**Footnote 1** If 24" fan blade, use 1210-09157-05 750 clutch & 4735-43787-01 fan blade or if 23.23" fan blade, use 1210-09157-05 750 clutch & 4735-43787-02 fan blade

**Footnote 2** if 26" fan blade, use 1210-09168-05 805 clutch & 4735-43783-07 fan blade or if 23" fan blade, use 1210-09157-03 750 clutch & 4735-43783-14 fan blade

**Note:** When replacing the fan drive, use the corresponding 1090-09500 in place of the obsolete 1090-08500 series fan drive.



## International

Engine Make & Model	Vehicle Model	Vehicle Year	HP	Mounting / Hub Assembly P/N	Drive / Clutch Assembly P/N	DIA INS	Fan P/N	BLADES	Notes
International DT466	5000	1995-2001	195-330	—	167046	26.00	1647411C3	7	
International DT466	5000	1995-2001	195-330	—	167047	26.00	1647411C3	7	
International DT466	5000	1995-2001	195-330	—	167524	26.00	1647411C3	7	
International DT466	5000	1995-2001	195-330	—	166283	26.00	1647411C3	7	
International DT466	5000	1995-2000	195-330	—	166054	26.00	1647411C3	7	
International DT466	7300, 7400	2004-2005	ALL	—	010013416	30.00		8	
International DT466	8000	1992-1994	—	—	199880	28.00	917627	8	
International DT466	8100	1997-1999	190-250	—	1090-08000-01	28.00	4735-41392-05	9	
International DT466	8100	1997-2001	190-250	—	166223	28.00	917627	8	Except 485-520 lb-ft
International DT466	S Series	1987-1991	180-250	—	194986	26.00	1647411C3	7	
International DT466	S Series	1987-1991	180-250	—	196291	26.00	1647411C3	7	
International DT466	S Series	1987-1991	180-250	—	196224	23.00	916612	7	
International DT466	S Series	1985-1991	180-250	—	186345	23.00	916612	7	
International DT466	S Series	1986-1991	180-250	—	194038	24.00	917112	7	
International DT466	S Series	1983-1991	180-250	—	189812	24.00	917112	7	
International DT466HT	4700LP	1997	195-210	—	166283	26.00	1647411C3	7	See footnote 2
International DT466HT	4700LP	1997	210	—	167046	26.00	1647411C3	7	w/ A/C, Auto trans. See footnote 2
International DT466HT	4700LP	1997	230-250	—	167046	26.00	1647411C3	7	See footnote 2
International DT466HT	4700LP	1997	195-210	—	166054	23.00	917809	7	Front PTO See footnote 2
International DT466HT	4700LP	1997	210	—	167047	23.00	917809	7	Front PTO/ w/ A/C See footnote 2
International DT466HT	4700LP	1997	230-250	—	167047	23.00	917809	7	Front PTO See footnote 2
International DT466HT	4700LP	1998-2001	195-250	—	167047	23.00	917809	7	w/ Front PTO See footnote 2
International DT466HT	4700LP	1998-2001	195-250	—	167047	26.00	1647411C3	7	See footnote 2
International DT466ST	4700LP	1997	175-210	—	166283	26.00	1647411C3	7	See footnote 2
International DT466ST	4700LP	1997	210	—	167046	26.00	1647411C3	7	w/ A/C, Auto trans. See footnote 2
International DT466ST	4700LP	1997	230	—	167046	26.00	1647411C3	7	See footnote 2
International DT466ST	4700LP	1997-2000	175-210	—	166054	23.00	917809	7	w/ Front PTO See footnote 2
International DT466ST	4700LP	1997-2001	210	—	167047	23.00	917809	7	w/ Front PTO, w/ A/C, Auto trans. See footnote 2
International DT466ST	4700LP	1997-2001	230	—	167047	23.00	917809	7	w/ Front PTO See footnote 2
International DT466ST	4700LP	1998-2000	175-210	—	166054	26.00	1647411C3	7	See footnote 2
International DT466ST	4700LP	1998-2001	210	—	167047	26.00	1647411C3	7	w/ A/C, Auto trans. See footnote 2
International DT466ST	4700LP	1998-2001	230	—	167047	26.00	1647411C3	7	See footnote 2
International DTA466	4900	1992-1994	—	—	199810	26.00	1647411C3	7	
International DT530	2000, 5000, 8000	1995-2001	275-340	—	166499	28.00	916797	8	
International DT530	2000, 5000, 8000, 8100	1995-2001	275-340	—	166223	28.00	917627	8	
International DT570	8500	2004-2005		—	010013416	30.00		8	
International INT530	2000	1997-1999	250-300	—	1090-08000-01	28.00	4735-41392-05	9	
International INT530	2000	1997-2001	250	—	166223	28.00	917627	8	Except 950 lb-ft

Footnote 2 if 26" fan blade, use 1210-09168-05 805 clutch & 4735-43783-07 fan blade or if 23" fan blade, use 1210-09157-03 750 clutch & 4735-43783-14 fan blade

## International | John Deere | Kenworth

Engine Make & Model	Vehicle Model	Vehicle Year	HP	Mounting / Hub Assembly P/N	Drive / Clutch Assembly P/N	DIA INS	Fan P/N	BLADES	Notes
International INT530	8100	1997-1999	250-300	—	1090-08000-01	28.00	4735-41392-05	9	
International INT530	8100	1997-2001	250	—	166223	28.00	917627	8	Except 950 lb-ft
International INT530	RE Bus	1997-2001	ALL	—	169422	28.00	918900	8	Service w/ 020003468
International VT365	4200	2001	—	—	1210-09167-02	25.00	4735-41134-39	8	
International VT365	3200, 4200	2004-2005	ALL	—	010019721	25.00	010019754	9	
<b>John Deere</b>									
Cummins 855	8960	1989-1993	—	—	17390-1	32.00	RE27209	8	Marked RE-24149 Service with 18105-1
Cummins 855	8970	1993-1996	—	—	18105-1	32.00	RE27209	8	Marked RE56310A
John Deere 6078	4555, 4755, 4955	1988-1989	—	—	17649-1	—	RE38931	—	Marked RE37444 Service with 17713-1
John Deere 6078	4555, 4755, 4955	1990-1991	—	—	17713-1	—	RE50573	—	Marked RE-50225
John Deere 6068	7410	1997-1999	—	—	18843-1	22.00	L79028	7	Marked RE-16518
John Deere 6059T	7710, 7810	1996-1999	—	—	17667-3	20.40	RE34436F	6	Marked RE34438L
John Deere 6081	7700, 7800	1992-1996	—	—	17622-2	—	RE34437U	—	Marked RE-56931
John Deere 6068	7610	1996-1999	—	—	18464-1	—	RE34437W	—	Marked RE65833A
John Deere 6081	7710, 7810	1996-2002	—	—	18551-1	24.00	RE700093	6	Marked RE70548
John Deere 6078	8100, 8200	1995-1996	—	—	18103-4	28.00	RE61236A	8	Marked 2 (in green ink) Service with 19170-1
John Deere 6078	8300, 8400	1995-1996	—	—	18136-4	28.00	RE61236A	8	Marked 4 & RE63003 (in green ink) Service with 19170-1
John Deere 6078	8100, 8200, 8300, 8400	1997-1998	—	—	18441-3	28.00	RE66338	8	Marked RE31379 Service with 19170-1
John Deere 6081	8100, 8200, 8300, 8400	1998-2000	—	—	18072-1	28.00	RE66338	8	Marked RE155581 Screw mount Service with 19171-1
John Deere 6081	8100, 8200, 8300, 8400	2000-2002	—	—	19171-1	28.00	RE66338	8	Marked RE188988A Screw mount
John Deere 6081	8100, 8200, 8300, 8400	2000-2001	—	—	18803-2	28.00	RE163373	8	Marked RE166013 Screw mount
John Deere 6081	8100, 8200, 8300, 8400	2002	—	—	19159-1	28.00	RE163373	8	Marked 187516A Screw mount
John Deere 6081	8420	2002	—	—	19137-1	29.00	RE164615	8	Marked 164615 Screw mount
John Deere 6078	8560	1989-1993	—	—	17862-1	30.00	RE46107	8	Marked RE45342 1760 Eng RPM
John Deere 6081 & 6101	8570, 8770	1993-1996	—	—	18432-1	28.00	R128149B	9	Marked RE63883B
John Deere 6101	8760	1989-1993	—	—	16784-1	30.00	RE30166	8	Marked RE30168
John Deere 6101	8760	1989-1993	—	—	16784-3	30.00	RE30160	8	Marked RE30168
John Deere 6125	All 9000	2001-2002	—	—	18898-1	31.00	RE155339	8	Marked RE170600A
John Deere 6081	9100	1996-2001	—	—	18432-1	28.00	R128149B	9	Marked RE63883B
John Deere 6101	9200	1996-2001	—	—	18432-1	28.00	R128149B	9	Marked RE63883B
John Deere 6125	9300, 9400	2000-2001	—	—	18772-1	31.00	RE155339	8	Marked RE159103 Service with 18898-1
John Deere 6125	9320, 9420, 9520	2002	—	—	010010498	31.00	RE155339	8	Marked RE190793A
<b>Kenworth</b>									
Cat 3126	T300	2004-2005	210-300	—	1210-09168-14	26	4735-41783-03	9	
Cat 3126	T300	2004-2005	210-300	1077-09317-01	1090-09500-01	—	—	—	
Cat 3176	K100E, K136E, T400B, T450B, T600, T800, T800H, W900B, W900S	1994-1998	—	1077-07770-08	1090-08500-01	30.00	4735-41392-01	9	

**Note:** When replacing the fan drive, use the corresponding 1090-09500 in place of the obsolete 1090-08500 series fan drive.

## Kenworth

Engine Make & Model	Vehicle Model	Vehicle Year	HP	Mounting / Hub Assembly P/N	Drive / Clutch Assembly P/N	DIA INS	Fan P/N	BLADES	Notes
Cat C10/C12	T2000	1996-2001	ALL	1077-07770-09	1090-08500-01	32.00	4735-42113-08	9	2.5 engine angle
Cat C10/C12	T2000	2004-2005	305-430	1077-07770-13	1090-09500-01	—	—	—	
Cat C10/C12	T600, T800, T800(H), W900B2, W900L2	1995-2001	—	1077-07770-08	1090-08500-01	30.00	4735-41135-01	8	2.5 or 4.5 engine angle
Cat C10/C12	T800, T800SH, W900B, W900L	2004-2005	305-430	1077-07770-02	1090-09500-01	—	—	—	
Cat C10/C12	T800SH	1995-2001	ALL	1077-07770-08	1090-08500-01	30.00	4735-41135-01	8	2.5 or 4.5 engine angle
Cat C11/C13	K100, T800B W/ FDA	2004-2005	305-430	010020237	1090-09500-01	30.00	4735-44003-14	11	
Cat C11/C13	T2000	2004-2005	305-430	010019778	1090-09500-01	32.00	4735-44003-12	11	
Cat C11/C13	T600, T800B, T800SH, W900S	2004-2005	305-430	010020227	1090-09500-01	30.00	4735-44003-14	11	
Cat C11/C13	T800W	2004-2005	305-430	010019778	1090-09500-01	30.00	4735-44003-14	11	
Cat C11/C13	W900B	2004-2005	305-430	010020255	1090-09500-01	30.00	4735-44003-14	11	2.5 degree engine angle
Cat C11/C13	W900B	2004-2005	305-430	010020257	1090-09500-01	30.00	4735-44003-14	11	4.5 degree engine angle
Cat C11/C13	W900L	2004-2005	305-430	010020343	1090-09500-01	30.00	4735-44003-14	11	
Cat 3306	All	1987-1992	—	—	17539-1	28.00	4035-37494-06	8	Marked EV-17539-1 w/ Charge Air Cooling
Cat 3306	K100E, K136E	1984-1998	—	1077-08069-01	1090-08500-01	28.00	4735-41135-05	8	
Cat 3306	T400B, T450B, T600, T800	1984-1996	—	1077-08071-02	1090-08500-01	30.00	4735-41135-01	8	
Cat 3306	T600, T800	1997-1999	ALL	1077-08071-02	1090-08500-01	30.00	4735-41135-01	8	2.5 engine angle
Cat 3306	W900B	1984-1998	—	1077-08071-05	1090-08500-01	30.00	4735-41135-01	8	
Cat 3306	W900S	1984-1998	—	1077-08071-02	1090-08500-01	28.00	4735-41135-05	8	
Cat 3406	K100E, K136E	1988-1991	—	1077-07767-06	1090-08500-01	30.00	4735-41392-01	9	
Cat 3406	T2000	1996-2001	ALL	1077-07935-03	1090-08500-01	32.00	4735-41392-08	9	2.5 engine angle
Cat 3406	T600	1996-2001	ALL	1077-07935-02	1090-08500-01	30.00	4735-41135-01	8	2.5 or 3.5 engine angle
Cat 3406	T800 (H)	1994-2001	ALL	1077-07767-05	1090-08500-01	30.00	4735-41392-01	9	2.5 engine angle
Cat 3406	T800 (H)	1996-2001	ALL	1077-07935-02	1090-08500-01	30.00	4735-41135-01	8	2.5 or 3.5 engine angle
Cat 3406	T800W	1994-1999	ALL	1077-07767-06	1090-08500-01	30.00	4735-41392-01	9	2.5 engine angle
Cat 3406	W900B	1993-2001	ALL	1077-07935-02	1090-08500-01	30.00	4735-41392-01	9	2.5 engine angle
Cat 3406	W900B2	1994-2001	ALL	1077-07767-05	1090-08500-01	30.00	4735-41392-01	9	2.5 or 3.5 engine angle
Cat 3406	W900L	1993-2001	—	1077-07935-02	1090-08500-01	30.00	4735-41392-01	9	2.5 engine angle
Cat 3406JWAC	T800	1997-1999	ALL	1077-07935-02	1090-08500-01	30.00	4735-41392-01	9	0 deg engine angle
Cat 3406C	T800H, W900B	1990-1993	ALL	1077-07767-05	1090-08500-01	30.00	4735-41392-01	9	
Cat 3406C	W900B, W900L2	1990-1998	> 400	1077-07935-02	1090-08500-01	30.00	4735-41392-01	9	
Cat 3406C&E	W900L2	1990-1998	< 375	1077-07935-02	1090-08500-01	30.00	4735-41135-01	8	
Cat 3406E	T600, T800, T800H	1990-1998	< 375	1077-07935-02	1090-08500-01	30.00	4735-41135-01	8	1077-07401-01 idler pulley for 12" & 13" Fan centers
Cat 3406E	T800H, W900B	1990-1993	ALL	1077-07767-05	1090-08500-01	30.00	4735-41392-01	9	
Cat 3406E	W900B, W900L2	1990-1998	≥ 375	1077-07935-02	1090-08500-01	30.00	4735-41392-01	9	
Cat 3406C	T600, T800, T800H	1990-1998	> 400	1077-07935-02	1090-08500-01	30.00	4735-41392-01	9	1077-07401-01 idler pulley for 12" & 13" Fan centers
Cat 3406E	T600, T800, T800H	1990-1998	≥ 375	1077-07935-02	1090-08500-01	30.00	4735-41392-01	9	1077-07401-01 idler pulley for 12" & 13" Fan centers
Cat C15/C16	T2000	2004-2005	400-600	1077-09303-02	1090-09500-01	—	—	—	

Engine Make & Model	Vehicle Model	Vehicle Year	HP	Mounting / Hub Assembly P/N	Drive / Clutch Assembly P/N	DIA INS	Fan P/N	BLADES	Notes
Cat C15/C16	T800B	2004-2005	400-600	1077-09303-01	1090-09500-01	—	—	—	
Cat C15/C16	T800W	2004-2005	400-600	1077-09303-06	1090-09500-01	—	—	—	0 degree engine angle
Cat C15/C16	T800W	2004-2005	400-600	1077-09303-05	1090-09500-01	—	—	—	1.5 degree engine angle
Cat C15/C16	T800W	2004-2005	400-600	1077-09303-04	1090-09500-01	—	—	—	2.5 degree engine angle
Cat C15/C16	W900B	2004-2005	400-600	1077-09303-09	1090-09500-01	—	—	—	2.5 degree engine angle
Cat C15/C16	W900B	2004-2005	400-600	1077-09303-10	1090-09500-01	—	—	—	3.5 degree engine angle
Cat C15/C16	W900L	2004-2005	400-600	1077-09303-03	1090-09500-01	—	—	—	
Cat C15 ASCERT	T2000	2004-2005	400-600	010020266	1090-09500-01	32.00	4735-44003-12	11	
Cat C15 ASCERT	T600, T800	2004-2005	400-600	010020181	1090-09500-01	30.00	4735-44003-14	11	
Cat C15 ASCERT	T800H, W900B	2004-2005	400-600	010020336	1090-09500-01	30.00	4735-44003-14	11	
Cat C15 ASCERT	T800W	2004-2005	400-600	010020730	1090-09500-01	32.00	4735-44003-12	11	0 degree engine angle
Cat C15 ASCERT	T800W	2004-2005	400-600	010020652	1090-09500-01	32.00	4735-44003-12	11	1.5 degree engine angle
Cat C15 ASCERT	T800W	2004-2005	400-600	010020367	1090-09500-01	32.00	4735-44003-12	11	1.5 degree engine angle Bridge Engine
Cat C15 ASCERT	T800W	2004-2005	400-600	010020746	1090-09500-01	32.00	4735-44003-12	11	2.5 degree engine angle
Cat C15 ASCERT	W900B	2004-2005	400-600	010020282	1090-09500-01	30.00	4735-44003-14	11	2.5 degree engine angle
Cat C15 ASCERT	W900L	2004-2005	400-600	010020235	1090-09500-01	31.00	4735-44003-15	11	
Cummins ISB	T300	2004-2005	190	—	19180-1	26.00	4735-43480-33	9	
Cummins ISB	T300	2004-2005	190	—	1210-09168-14	26.00	4735-43783-03	9	
Cummins ISB	T300	2004-2005	215-425	—	19180-1	26.00	4735-43480-33	9	
Cummins L10	All	1987-1991	—	—	17284-1	26.00	4035-37494-15	8	Marked 17284-1
Cummins L10	K100E, K136E, W900B2	1983-1994	—	1077-07929-04	1090-08500-01	30.00	4735-41135-01	8	
Cummins L10	T400W, T800W	1983-1994	—	1077-07929-03	1090-08500-01	30.00	4735-41135-01	8	
Cummins L10	T600, T800, T400, T450B	1983-1994	—	1077-07929-03	1090-08500-01	30.00	4735-41135-01	8	
Cummins L10	W900S	1983-1994	—	1077-07929-03	1090-08500-01	28.00	4735-41135-05	8	
Cummins M11	K100E, K136E	1995-1998	—	1077-07929-04	1090-08500-01	30.00	4735-41135-01	8	
Cummins M11	T2000	1997-1998	ALL	1077-07929-10	1090-08500-01	32.00	4735-41391-08	9	2.5 engine angle
Cummins M11	T400W, T800W	1995-1998	—	1077-07929-03	1090-08500-01	30.00	4735-41135-01	8	
Cummins M11	T600, T800, T400, T450B	1995-1998	—	1077-07929-03	1090-08500-01	30.00	4735-41135-01	8	
Cummins M11	T800SH	1994-1998	ALL	1077-07929-03	1090-08500-01	30.00	4735-41135-01	8	2.5 or 3.5 engine angle
Cummins M11	T800W	1997-1998	ALL	1077-07929-03	1090-08500-01	30.00	4735-41135-01	8	1.5 engine angle
Cummins M11	W900B2	1995-1998	ALL	1077-07929-04	1090-08500-01	30.00	4735-41134-01	8	2.5 engine angle
Cummins M11	W900L2	1996-1998	ALL	1077-07929-04	1090-08500-01	30.00	4735-41134-01	8	2.5 or 3.5 engine angle
Cummins M11	W900S	1995-1998	—	1077-07929-03	1090-08500-01	28.00	4735-41135-05	8	
Cummins ISM	T2000	1998-1999	ALL	1077-09126-01	1090-08500-01	32.00	4735-41391-08	9	2.5 or 4.5 engine angle
Cummins ISM	T2000	2004-2005	280-385	1077-09126-06	1090-09500-01	—	—	—	
Cummins ISM	T600	1998-2001	ALL	1077-09128-01	1090-08500-01	30.00	4735-41135-01	8	2.5 or 4.5 engine angle
Cummins ISM	T600, T800, T800B, T800SH, W900S	2003	—	1077-09128-12	1090-09500-01	30.00	—	9	

**Note:** When replacing the fan drive, use the corresponding 1090-09500 in place of the obsolete 1090-08500 series fan drive.

## Kenworth

Engine Make & Model	Vehicle Model	Vehicle Year	HP	Mounting / Hub Assembly P/N	Drive / Clutch Assembly P/N	DIA INS	Fan P/N	BLADES	Notes
Cummins ISM	T600, T800, T800SH, W900S	2004-2005	280-385	1077-09128-12	1090-09500-01	—	—	—	
Cummins ISM	T800B	2004-2005	280-385	1077-09128-12	1090-09500-01	—	—	—	2.5 or 4.5 engine angle Automatic Transmission
Cummins ISM	T800B	2004-2005	280-385	1077-09118-09	1090-09500-01	—	—	—	0 engine angle
Cummins ISM	T800B	2004-2005	280-385	1077-09128-09	1090-09500-01	—	—	—	2.5 or 4.5 engine angle
Cummins ISM	T800B	2004-2005	280-385	1077-09118-01	1090-09500-01	—	—	—	0 engine angle Automatic Transmission
Cummins ISM	T800SH	1998-2001	ALL	1077-09128-01	1090-08500-01	30.00	4735-41135-01	8	2.5 or 4.5 engine angle
Cummins ISM	T800W	1999	ALL	1077-09122-01	1090-08500-01	30.00	4735-41135-01	8	0 or 1.5 engine angle
Cummins ISM	W900B	2004-2005	280-385	1077-09122-08	1090-09500-01	—	—	—	2.5 engine angle
Cummins ISM	W900B	2004-2005	280-385	1077-09120-08	1090-09500-01	—	—	—	4.5 engine angle
Cummins ISM	W900B2	1998-2001	ALL	1077-09120-02	1090-08500-01	30.00	4735-41135-01	8	2.5 or 4.5 engine angle
Cummins ISM	W900S	1998-2001	ALL	1077-09128-01	1090-08500-01	30.00	4735-41135-01	8	2.5 engine angle
Cummins NTC300	All	1987-1991	—	—	16650-2	30.00	4035-37494-19	8	Marked 16650-2
Cummins N14	K100E, K136E, W900L	1992-1998	—	1077-07986-01	1090-08500-01	30.00	4735-41393-01	9	
Cummins N14	T2000	1996-2001	ALL	1077-07933-01	1090-08500-01	32.00	4735-41393-08	9	2.5 engine angle
Cummins N14	T600	1993-2001	ALL	1077-07933-01	1090-08500-01	30.00	4735-42112-01	9	2.5 engine angle
Cummins N14	T600, T800	1985-1998	—	1077-07933-01	1090-08500-01	30.00	4735-42112-01	9	
Cummins N14	T800H	1994-1999	ALL	1077-07867-06	1090-08500-01	30.00	4735-41393-01	9	2.5 engine angle
Cummins N14	T800H	1993-2001	ALL	1077-07933-01	1090-08500-01	30.00	4735-42112-01	9	2.5 engine angle
Cummins N14	T800H, W900B	1985-1993	—	1077-07867-06	1090-08500-01	30.00	4735-41392-01	9	
Cummins N14	T800W	1997-1999	ALL	1077-09063-01	1090-08500-01	30.00	4735-41393-01	9	2.5 engine angle
Cummins N14	W900B	1992-1993	—	1077-07986-01	1090-08500-01	30.00	4735-41392-01	9	
Cummins N14	W900B	1994-2000	ALL	1077-07986-01	1090-08500-01	30.00	4735-42112-01	9	2.5 engine angle
Cummins N14	W900B2	1994-2000	ALL	1077-07867-06	1090-08500-01	30.00	4735-41393-01	9	2.5 engine angle
Cummins N14	W900B2, W900L, W900L2	1994-2000	ALL	1077-07986-01	1090-08500-01	30.00	4735-42112-01	9	2.5 engine angle
Cummins ISX	T2000	1998-1999	—	1077-09019-01	1090-08500-01	32.00	4735-41393-08	9	2.5 or 3.5 engine angle
Cummins ISX	T2000	1999-2001	—	1077-09055-01	1090-08500-01	32.00	4735-41393-08	9	
Cummins ISX	T2000, T600, T800B	2003-2005	400-600	1077-09297-01	1090-09500-01	—	—	—	
Cummins ISX	T600, T800	2000-2002	—	1077-09019-04	1090-08500-01	30.00	4735-41392-01	9	
Cummins ISX	T604	1999	ALL	1077-09113-03	1090-08500-01	30.00	4735-41392-02	9	2.5 or 3.5 engine angle
Cummins ISX	T800B	2004-2005	400-600	1077-09299-01	1090-09500-01	—	—	—	3.5 degree engine angle
Cummins ISX	T800SH	2004-2005	400-600	010020568	1090-09500-01	—	—	—	2.5 degree engine angle
Cummins ISX	T800SH	2004-2005	400-600	010020657	1090-09500-01	—	—	—	3.5 degree engine angle
Cummins ISX	T800W, W900B	2004-2005	400-600	1077-09113-05	1090-09500-01	—	—	—	
Cummins ISX	W900B	2004-2005	400-600	1077-09172-02	1090-09500-01	—	—	—	2.5 or 3.5 degree engine angle, Modine Cooling Module
Cummins ISX	W900B	2004-2005	400-600	010020568	1090-09500-01	—	—	—	2.5 degree engine angle 1430 square inch radiator
Cummins ISX	W900B	2004-2005	400-600	010020657	1090-09500-01	—	—	—	3.5 degree engine angle 1430 square inch radiator
Cummins ISX	W900L2	1998-2001	ALL	1077-09075-03	1090-08500-01	30.00	4735-41392-01	9	2.5 or 3.5 engine angle
Cummins ISX	W900L	2004-2005	400-600	1077-09113-05	1090-09500-01	—	—	—	2.5 or 3.5 degree engine angle Modine Cooling Module
Cummins ISX	W900L	2004-2005	400-600	1077-09299-01	1090-09500-01	—	—	—	2.5 or 3.5 degree engine angle

Engine Make & Model	Vehicle Model	Vehicle Year	HP	Mounting / Hub Assembly P/N	Drive / Clutch Assembly P/N	DIA INS	Fan P/N	BLADES	Notes
DDC S60	K100E, K136E	1990-1998	< 400 <sup>3</sup>	1077-07895-06	1090-08500-01	30.00	4735-41135-01	8	
DDC S60	K100E, K136E	1990-1998	> 400	1077-07895-04	1090-08500-01	30.00	4735-41392-01	9	
DDC S60	T2000	1991-2001	ALL	1077-07895-08	1090-08500-01	32.00	4735-41392-08	9	2.5 engine angle
DDC S60	T600	1992-2001	> 400	1077-07895-04	1090-08500-01	30.00	4735-41392-01	9	2.5 or 3.5 engine angle
DDC S60	T600	1993-2001	< 400	1077-07895-06	1090-08500-01	30.00	4735-41392-01	9	2.5 or 3.5 engine angle
DDC S60	T600, T800	1990-1998	< 400 <sup>3</sup>	1077-07895-06	1090-08500-01	30.00	4735-41135-01	8	
DDC S60	T600, T800	1990-1998	> 400	1077-07895-01	1090-08500-01	30.00	4735-41392-01	9	
DDC S60	T800 (H)	1992-2001	ALL	1077-07895-04	1090-08500-01	30.00	4735-41392-01	9	2.5 or 3.5 engine angle
DDC S60	T800 (H)	1993-2001	< 400	1077-07895-06	1090-08500-01	30.00	4735-41392-01	9	2.5 or 3.5 engine angle
DDC S60	T800SH	1994-2001	ALL	1077-07895-06	1090-08500-01	30.00	4735-38825-05	6	2.5 engine angle
DDC S60	T800W	1995-2001	ALL	1077-07895-04	1090-08500-01	30.00	4735-41392-01	9	1.5 & 2.5 engine angle
DDC S60	W900B	1990-2001	ALL	1077-07895-06	1090-08500-01	30.00	4735-41392-01	9	
DDC S60	W900B2	1995-2001	> 400	1077-07895-04	1090-08500-01	30.00	4735-41392-01	9	2.5 engine angle
DDC S60	W900B2	1995-2001	> 400 <sup>3</sup>	1077-07895-06	1090-08500-01	30.00	4735-41392-01	9	2.5 or 3.5 engine angle
DDC S60	W900L2	1990-1998	< 400 <sup>3</sup>	1077-07895-02	1090-08500-01	30.00	4735-41392-01	9	
DDC S60	W900L2	1994-2001	ALL	1077-07895-02	1090-08500-01	30.00	4735-41392-01	9	2.5 or 3.5 engine angle
<b>Mack</b>									
Cummins ISX	CL	2004-2005	ALL	1077-09343-01	1090-09500-01	29.53	4735-44003-12	11	
Mack E6	Except CH	1982-1989	—	—	17545-1	24.00	—	7	Marked 38MH416P 2
Mack E6	Except CH	1982-1989	—	—	17671-1	24.00	—	7	Marked 38MH416 w/o charge air cooling
Mack E7	CH	1990-1993	—	—	17456-1	26.00	—	8	Marked 38MH414M
Mack E7	Except CH	1990-1993	—	—	17545-1	24.00	—	7	Marked 38MH416P 2
Mack E7-ETECH	CH	1999-2001	460	—	1090-08000-05A	26.00	4735-41135-32	8	
Mack E7-ETECH	CH	1999-2001	460	—	1090-08000-05A	26.00	4735-41393-32	9	
Mack E7-ETECH	CH	1999-2001	460	—	17456-1	26.00	4735-42476-34	8	Marked 38MH414M
Mack E7-ETECH	CH	1999-2001	460	—	17456-1	26.00	4735-41135-34	8	Marked 38MH414M
Mack E7-ETECH	CH	2004-2005	—	1077-09343-01	1090-09500-01	26.77	4735-41392-115	9	
Mack E7-ETECH	CHN	2004-2005	—	010020459	1090-09500-01	26.77	—	—	
Mack E7-ETECH	CL, RD	1999-2001	500	—	1090-08000-05A	24.00	4735-38825-34	6	
Mack E7-ETECH	CL, RD	1999-2001	500	—	17545-1	24.00	4735-38825-37	6	Marked 38MH416P 2
Mack E7-ETECH	CL	2004-2005	—	1077-09343-01	1090-09500-01	26.77	4735-41392-115	9	
Mack E7-ETECH	CT112 (Granite)	2004-2005	—	010020602	1090-09500-01	26.77	4735-43782-20	9	2100 RPM Engine
Mack E7-ETECH	CT112 (Granite)	2004-2005	—	010020610	1090-09500-01	26.77	4735-43782-20	9	1900 RPM Engine
Mack E7-ETECH	CXN	2004-2005	—	010020369	1090-09500-01	29.43	4735-44003-12	11	
Mack E7-ETECH	LE	1999-2001	460	—	17545-1	24.00	4735-42476-44	8	Marked 38MH416P 2
Mack E7-ETECH	MR/LE	2004-2005	—	010020408	1090-09500-01	24.00	4735-43783-34	9	2100 RPM Engine
Mack E7-ETECH	MR/LE	2004-2005	—	010020400	1090-09500-01	24.00	4735-43783-34	9	1900 RPM Engine
Mack E7-ETECH	RD6/DM/DMM	2004-2005	—	—	010011657	26.77	4735-42578-45	8	
Mack E7-ETECH	Vision	1998-2001	460	—	18672-1	26.00	4735-42476-34	8	Marked 38MH424M
Mack E7-ETECH	Vision	1998-2001	427	—	18676-1	26.00	4735-42476-34	8	Marked 38MH423M

**Note:** When replacing the fan drive, use the corresponding 1090-09500 in place of the obsolete 1090-08500 series fan drive.

## Mack | Peterbilt

Engine Make & Model	Vehicle Model	Vehicle Year	HP	Mounting / Hub Assembly P/N	Drive / Clutch Assembly P/N	DIA INS	Fan P/N	BLADES	Notes
Mack E7-ETECH	CX(Vision)	2004-2005	—	1077-09343-01	1090-09500-01	26.77	4735-41392-115	9	
Mack E9	All	1987-1995	—	—	17716-1	32.00	917028	8	
<b>Peterbilt</b>									
Cat 3116	250	1993-2001	—	—	18088-1	26.00	4735-41134-21	8	
Cat 3126	320	1997-1999	—	1077-09015-02	1090-08500-01	32.00	4735-41134-42	8	
Cat 3126	330	1995-2001	—	—	18088-2	30.00	4035-41134-21	8	Marked 05-19373
Cat 3126	330	2004-2005	210-300	—	19180-1	26.00	4735-43480-33	9	
Cat 3126	330	2004-2005	210-300	1077-09317-01	1090-09500-01	—	—	—	
Cat 3176	385	1995-2001	—	—	18330-1	32.00	4735-41134-43	8	Marked 05-19224
Cat 3176	357, 375, 377, 378, 379	1988-1996	—	1077-07770-09	1090-08500-01	30.00	4735-41135-01	8	
Cat C10/C12	357, 377, 378 & 379	1997-2001	ALL	1077-07770-09	1090-08500-01	30.00	4735-41135-01	8	
Cat C10/C12	357, 378, 379	2004-2005	305-430	1077-07770-02	1090-09500-01	—	—	—	C10@1.1:1 ratio, C12@1.2:1 Ratio
Cat C10/C12	387	2004-2005	305-430	1077-09085-03	1090-09500-01	—	—	—	
Cat C11/C13	357, 378, 379	2004-2005	305-430	010019787	1090-09500-01	—	—	—	Set Forward Front Axle Only
Cat C11/C13	387	2004-2005	305-430	010019001	1090-09500-01	—	—	—	
Cat C11/C13	387	2004-2005	305-430	010020230	1090-09500-01	—	—	—	2 degree engine angle
Cat C12	387	1999-2001	—	1077-09085-01	1090-08500-01	32.00	4735-41393-08	9	Poly V-belts
Cat C12	387	1999	—	1077-07770-12	1090-08500-01	32.00	4735-41393-08	9	V-belt Accessory
Cat 3306	320	1992-1998	—	1077-08069-02	1090-08500-01	28.00	4735-41135-05	8	
Cat 3306	320	1997	—	1077-08069-02	1090-08500-01	32.00	4735-41134-42	8	
Cat 3306	320, 357	1996-2001	—	—	18327-2	32.00	—	6	Marked 05-19326
Cat 3406	357, 375, 377, 378, 379	1980-1992	—	1077-07767-04	1090-08500-01	30.00	4735-41135-01	8	
Cat 3406E	357, 377, 378 & 379	1997-2001	≤ 430	1077-07767-04	1090-08500-01	32.00	4735-41134-42	8	
Cat 3406E	357, 378, 379	1993-1996	—	1077-07767-04	1090-08500-01	32.00	4735-41134-42	8	Models with 119" or 127" hoods
Cat 3406E	387	1999	—	1077-09089-03	1090-08500-01	32.00	4735-41393-08	9	V-belt Accessory
Cat 3406E	387	1999-2001	—	1077-09089-02	1090-08500-01	32.00	4735-41393-08	9	Poly V-belts
Cat 3406E	387	2002-2003	—	1077-09089-02	1090-09500-01	32.00	4735-41393-08	9	Poly V-belts
Cat C15/C16	357, 378, 379	2004-2005	400-600	1077-09303-07	1090-09500-01	—	—	—	2 & 4 degree engine angles
Cat C15/C16	357, 378, 379	2004-2005	400-600	1077-09303-08	1090-09500-01	—	—	—	0 degree engine angles
Cat C15/C16	387	2004-2005	400-600	1077-09303-01	1090-09500-01	—	—	—	
Cat C15 ASCERT	357, 378, 379	2004-2005	400-600	010020085	1090-09500-01	32.00	4735-44003-12	11	2 & 4 degree engine angles Set Forward Front Axle
Cat C15 ASCERT	379	2004-2005	400-600	010019026	1090-09500-01	32.00	4735-44003-12	11	
Cat C15 ASCERT	387	2004-2005	400-600	010018982	1090-09500-01	—	—	—	
Cummins C Series	375	1993-2001	—	—	18049-1	26.00	4035-41134-21	8	Marked 05-18431
Cummins C Series	375	1993-2001	—	—	18225-1	26.00	—	8	Marked 05-18953
Cummins ISC	330	2004-2005	215-425	—	19180-1	26.00	4735-43480-33	9	
Cummins ISC	330	2004-2005	215-425	—	1210-09168-14	26.00	4735-43783-03	9	
Cummins L10	320	1994	—	—	18168-1	—	—	—	Marked 05-18815
Cummins L10	357, 375, 377, 378, 379	1986-1994	—	1077-07738-04	1090-08500-01	30.00	4735-41135-01	8	
Cummins L10/M11	320	1997-1998	—	1077-07738-03	1090-08500-01	32.00	4735-41134-42	8	
Cummins L10/M11	357, 377, 378 & 379	1997-1999	ALL	1077-07738-04	1090-08500-01	30.00	4735-41135-01	8	

## Peterbilt | Sterling

Engine Make & Model	Vehicle Model	Vehicle Year	HP	Mounting / Hub Assembly P/N	Drive / Clutch Assembly P/N	DIA INS	Fan P/N	BLADES	Notes
Cummins M11	320	1995-2001	—	—	18168-1	—	—	—	Marked 05-18815
Cummins M11	357	1996-2001	—	—	18324-1	30.00	4735-41393-16	9	Marked 05-19198
Cummins M11	357, 375, 377, 378, 379	1995-1996	—	1077-07738-04	1090-08500-01	30.00	4735-41135-01	8	
Cummins ISM	320	2004-2005	280-385	010020251	1090-09500-01	—	—	—	1.2:1 pulley Ratio
Cummins ISM	320	2004-2005	280-385	010020533	1090-09500-01	—	—	—	1.3:1 Pulley Ratio
Cummins ISM	320	2004-2005	280-385	010020562	1090-09500-01	—	—	—	1.4:1 Pulley Ratio
Cummins ISM	357, 378, 379	2004-2005	280-385	1077-09120-03	1090-09500-01	—	—	—	0 degree engine angle
Cummins ISM	357, 378, 379	2004-2005	280-385	1077-09118-04	1090-09500-01	—	—	—	2 degree engine angle
Cummins ISM	357, 378, 379	2004-2005	280-385	1077-09128-09	1090-09500-01	31.50	4735-44003-13	11	4 degree engine angle
Cummins ISM	357, 378, 379	2004-2005	280-385	1077-09118-01	1090-09500-01	—	—	—	2 degree engine angle Automatic Transmission on 357, 378 & 379
Cummins ISM	357, 378, 379	2004-2005	280-385	1077-09120-01	1090-09500-01	—	—	—	0 degree engine angle Automatic Transmission on 357, 378 & 379
Cummins ISM	385, 387	2004-2005	280-385	1077-09128-12	1090-09500-01	—	—	—	
Cummins ISM	385	2004-2005	280-385	1077-09128-12	1090-09500-01	—	—	—	4 degree engine angle
Cummins ISM	387	2004-2005	280-385	1077-09128-12	1090-09500-01	—	—	—	2 degree engine angle
Cummins ISM	387	1999	—	1077-09128-04	1090-08500-01	32.00	4735-41393-08	9	1:1 drive ratio
Cummins ISM	387	1999	—	1077-09128-03	1090-08500-01	32.00	4735-41393-08	9	1.2:1 drive ratio
Cummins N14	357, 375, 377, 378, 379	1992-1996	—	1077-07986-01	1090-08500-01	30.00	4735-41135-01	8	
Cummins N14	357, 377, 378, 379	1997-2001	ALL	1077-07986-01	1090-08500-01	32.00	4735-41134-42	8	
Cummins ISX	357, 378	2004-2005	400-600	1077-09308-02	1090-09500-01	—	—	—	0 degree engine angle
Cummins ISX	357, 378, 379, 387	2004-2005	400-600	1077-09299-01	1090-09500-01	31.50	4735-44003-13	11	4 degree engine angle except 387 @ 2 degree
Cummins ISX	385 120" Cab	2004-2005	400-600	1077-09359-01	1090-09500-01	—	—	—	4 degree engine angle
Cummins ISX	357, 378, 379, 385	2004-2005	400-600	1077-09310-01	1090-09500-01	31.50	4735-44003-13	11	2 degree engine angle except 379 w/ 119" Cab
Cummins ISX	357, 378, 385	2004-2005	400-600	1077-09313-01	1090-09500-01	—	—	—	0 degree engine angle
Cummins ISX	379	2004-2005	400-600	1077-09359-01	1090-09500-01	—	—	—	4 degree engine angle except w/ 119" Cab
Cummins ISX	379 119" Cab	2004-2005	400-600	1077-09209-02	1090-09500-01	31.50	4735-44003-13	11	0 degree engine angle
Cummins ISX	379 119" Cab	2004-2005	400-600	1077-09363-01	1090-09500-01	31.50	4735-44003-13	11	2 degree engine angle
Cummins ISX	379 119" Cab	2004-2005	400-600	1077-09361-01	1090-09500-01	31.50	4735-44003-13	11	4 degree engine angle
Cummins ISX	387	1999	—	1077-09075-02	1090-08500-01	32.00	4735-41393-08	9	1:1 drive ratio
Cummins ISX	387	1999-2001	—	1077-09075-01	1090-08500-01	32.00	4735-41393-08	9	1.2:1 drive ratio
DDC S60	320	1999	ALL	1077-07735-01	1090-08500-01	32.00	4735-41134-42	8	
DDC S60	357, 375, 377, 378, 379	1985-1996	—	1077-07735-05	1090-08500-01	30.00	4735-41135-01	8	
DDC S60	377	1997	ALL	1077-07735-01	1090-08500-01	32.00	4735-41134-42	8	
DDC S60	357, 377, 378 & 379	1998-1999	ALL	1077-07735-01	1090-08500-01	32.00	4735-41134-42	8	
DDC S60	358, 378 & 379	1997	ALL	1077-07735-01	1090-08500-01	32.00	4735-41134-42	8	
DDC S60	362	1992-2001	—	—	17975-1	32.00	—	6	Marked 05-181-24
DDC S60	387	1999	—	1077-09091-01	1090-08500-01	32.00	4735-41393-08	9	1:1 drive ratio
DDC S60	387	1999	—	1077-09103-01	1090-08500-01	32.00	4735-41393-08	9	1.2:1 drive ratio
<b>Sterling</b>									
Cat C7,C9	Acterra	2004-2005		010020079	1090-09500-01	28	4735-43782-01	9	

**Note:** When replacing the fan drive, use the corresponding 1090-09500 in place of the obsolete 1090-08500 series fan drive.



## Sterling | Volvo

Engine Make & Model	Vehicle Model	Vehicle Year	HP	Mounting / Hub Assembly P/N	Drive / Clutch Assembly P/N	DIA INS	Fan P/N	BLADES	Notes
Cat C7,C9	Acterra	2004-2005	—	—	18799-1	28		6	
Cat C7	L7500,L8500,LT7500,LT8500	2004-2005	—	010020079	1090-09500-01	28	4735-43782-01	9	
Cat C7	L7500,L8500,LT7500,LT8500	2004-2005	—		010020069	28	4735-35480-07	6	Marked 010020069
Cat C9	A9500,AT9500,L7500,L8500,L9500,LT7500,LT8500,LT9500	2004-2005	—	010020079	1090-09500-01	28	4735-43782-01	9	
Cat C9	A9500,AT9500,L7500,L8500,L9500,LT7500,LT8500,LT9500	2004-2005	—	—	010020069	28	4735-35480-07	6	Marked 010020069
Cat C9	LC	2003	—	—	010020069	28	4735-35480-07	6	Marked 010020069
Cat C10,C12	A9500,AT9500,L9500,LT9500	2004-2005	—	1077-09354-02	1090-09500-01	32	4735-41392-08	9	1200 sq inch Radiator Only
Cat C10/C12	HN80	1999-2002		1077-08133-01	1090-08500-01	26	4735-41498-08	9	
Cat C10/C12	HN80	1999-2003	ALL	1077-08133-02	1090-08500-01	28.50	4735-43330-01	9	
Cat 3306	HN80	1998-1999	ALL	1077-08123-01	1090-08500-01	26.00	4035-41498-08	9	
Cat 3406	HN80	1999-2002	ALL	1077-08265-06	1090-08500-01	28.50	4735-43330-01	9	
Cat C15/C16	A9500,AT9500,L9500,LT9500	2004-2005	—	010019666	1090-09500-01	32.00	4735-41392-08	9	1200 square inch radiator only
Cummins M11	HN80	1996-2001	—	—	18284-1	28.50	4035-41497-03	9	Marked F1HT-MA
Cummins M11	HN80	1998-2002	—	1077-08267-02	1090-08500-01	28.50	4735-43330-01	9	
Cummins ISM	HN80	1999-2003	ALL	1077-08267-02	1090-08500-01	28.50	4735-43330-01	9	
Cummins N14	HN80	1999-2002	ALL	1077-08121-02	1090-08500-01	28.50	4735-43330-01	9	
DDC S60	A9500,AT9500,L9500,LT9500	2004-2005	ALL	010019742	1090-09500-01	32.00	4735-41392-08	9	1200 square inch radiator only
DDC S60	HN80	1998-2002	ALL	1077-08217-02	1090-08500-01	28.50	4735-43330-01	9	
DDC S60	HN80	1999-2002	ALL	1077-08221-01	1090-08500-01	28.50	4735-43330-01	9	
FD 1460	HN80	1999	ALL	1077-08163-01	1090-08500-01	26.00	4035-41497-08	9	
Mercedes MB906	LC	2003	—	—	010020164	28	4735-35480-07	6	Marked 010020164
Mercedes 4000	A9500,AT9500,L9500,LT9500	2004-2005	—	010020392	1090-09500-01	32	4735-41392-08	9	1200 sq inch Radiator Only
Mercedes 900	Acterra	2004-2005	—	—	18801-1	24		9	Marked ETN EV-18801-1
Mercedes 900	Acterra	2004-2005	—	—	1210-09168-10	26	4735-43782-03	9	
Mercedes 900	Acterra,L7500,L8500,LT7500,LT8500	2004-2005	—	010020286	1090-09500-01	28	4735-43782-01	9	
Mercedes 900	L7500,L8500,LT7500,LT8500	2004-2005	—	—	010020069	28	4735-35480-07	6	Marked 010020069
Mercedes 900	LC	2004-2005	—	—	010011790	28	4735-35480-07	6	Marked 010011790
Mercedes 900	LC	2004-2005	—	—	1210-09168-10	26	4735-43782-03	9	
<b>Volvo</b>									
Cat 3176	Aero	1991-1994	275-325	—	196617	32.00	916636	8	
Cat 3176	Aero	1991-1994	350	—	199511	32.00	4735-37494-01	8	
Cat 3176	Aero	1995	ALL	1077-07770-01	1090-08500-01	32.00	4735-38825-03	6	
Cat 3176	Aero, Autocar	1990-1995	≤ 350	1077-07770-02	1090-08500-01	32.00	4735-38825-03	6	
Cat 3176	Autocar	1995	> 350	1077-07770-01	1090-08500-01	32.00	4735-38825-03	6	
Cat 3176	WCA	1989-1998	ALL	1077-07770-02	1090-08500-01	32.00	4735-38825-03	6	

Engine Make & Model	Vehicle Model	Vehicle Year	HP	Mounting / Hub Assembly P/N	Drive / Clutch Assembly P/N	DIA INS	Fan P/N	BLADES	Notes
Cat 3176	WG	1991-1994	275-325	—	198195	30.00	4735-37494-31	8	
Cat 3176	WG	1989-1998	≤ 300	1077-07770-01	1090-08500-01	30.00	4735-42904-08	8	
Cat 3306	Autocar	1990-1998	ALL	1077-08069-01	1090-08500-01	32.00	4735-38825-03	6	
Cat 3306	WG	1990-1998	ALL	1077-08069-01	1090-08500-01	30.00	4735-41392-01	9	
Cat 3306	WX	1990-1998	ALL	1077-08092-01	1090-08500-01	29.00	4735-41393-04	9	Man. trans.
Cat 3406	Aero	1991-1994	350	—	196617	32.00	916636	8	
Cat 3406	Aero, Autocar	1985-1993	350-425	1077-07767-01	1090-08500-01	32.00	4735-38825-03	6	
Cat 3406C	Aero	1985-1993	> 350	1077-07767-01	1090-08500-01	32.00	4735-41135-08	8	
Cat 3406C	Autocar	1991-1996	≤ 350	1077-07767-02	1090-08500-01	32.00	4735-41135-08	8	
Cat 3406C	Autocar	1991-1996	> 350	1077-07767-01	1090-08500-01	32.00	4735-41135-08	8	
Cat 3406E	Aero	1991-1994	350-375	—	166924	32.00	4035-37494-01	8	
Cat 3406E	Aero	1994-1998	≤ 375	1077-07767-02	1090-08500-01	32.00	4735-38825-03	6	
Cat 3406E	Aero	1994-1998	> 375	1077-07767-01	1090-08500-01	32.00	4735-41135-08	8	
Cat 3406E	Autocar	1994-1998	≤ 375	1077-07767-02	1090-08500-01	32.00	4735-41135-08	8	
Cat 3406E	Autocar	1994-1998	> 375	1077-07767-01	1090-08500-01	32.00	4735-41135-08	8	
Cummins ISC	VHD	2004-2005		1077-09261-02	1090-09500-01	29.52	4735-44000-02	11	
Cummins L10	Aero, Autocar	1988-1994	ALL	1077-07738-02	1090-08500-01	32.00	4735-42904-07	8	
Cummins L10	Aero, Autocar, WG	1988-1994	ALL	1077-07738-01	1090-08500-01	30.00	4735-42904-08	8	
Cummins L10	Aero, WC, WH	1988-1994	ALL	1077-07738-04	1090-08500-01	32.00	4735-38825-03	6	
Cummins L10	Aero, WG	1991-1994	330-370	—	194020	30.00	916677	8	
Cummins L10	Aero, WH	1991-1994	330-370	—	196617	32.00	916636	8	
Cummins L10	Autocar	1988-1994	ALL	1077-07738-02	1090-08500-01	32.00	4735-38825-03	6	
Cummins L10	WC, WG, WH, WI, WX	1991-1999	—	—	198242	30.00	4735-37494-19	8	
Cummins L10	WG	1989-1994	—	—	17581-1	30.00	4035-37494-19	8	Marked 20822-3204
Cummins L10	WX	1988-1994	≤ 280	1077-07738-02	1090-08500-01	28.00	4735-41392-05	9	
Cummins L10	WX	1988-1994	ALL	1077-07738-02	1090-08500-01	29.00	4735-41393-04	9	
Cummins M11	Aero, Autocar	1995-1998	ALL	1077-07738-02	1090-08500-01	32.00	4735-42904-07	8	
Cummins M11	Aero, Autocar, WG	1995-1998	ALL	1077-07738-01	1090-08500-01	30.00	4735-42904-08	8	
Cummins M11	Aero, WC, WH	1995-1998	ALL	1077-07738-04	1090-08500-01	32.00	4735-38825-03	6	
Cummins M11	Autocar	1995-1998	ALL	1077-07738-02	1090-08500-01	32.00	4735-38825-03	6	
Cummins M11	WX	1995-1998	≤ 280	1077-07738-02	1090-08500-01	28.00	4735-41392-05	9	
Cummins M11	WX	1995-1998	ALL	1077-07738-02	1090-08500-01	29.00	4735-41393-04	9	
Cummins ISL	VHD	2004-2005		1077-09261-02	1090-09500-01	29.52	4735-44000-02	11	
Cummins ISM	VN	1999-2001	ALL	1077-09101-02A	1090-08500-01	29.50	4735-41135-66	8	
Cummins ISM	WG	1999-2001	ALL	1077-07738-02	1090-08500-01	30.00	4735-41135-01	8	
Cummins ISM	WG	2000-2002	—	—	1210-09168-02	30.00	4735-42904-19	8	
Cummins ISM	WX	1999-2001	ALL	1077-07738-02	1090-08500-01	26.75	4735-41392-103	9	
Cummins N14	AC	1999	ALL	1077-08191-01	1090-08500-01	32.00	4735-41135-08	8	
Cummins N14	Aero	1991-1994	460-500	—	166924	32.00	4035-37494-01	8	
Cummins N14	Aero	1991-1998	ALL	1077-07738-03	1090-08500-01	30.00	4735-42904-08	8	
Cummins N14	Aero	1991-1998	≤ 370	1077-07738-03	1090-08500-01	32.00	4735-38825-03	6	

**Note:** When replacing the fan drive, use the corresponding 1090-09500 in place of the obsolete 1090-08500 series fan drive.

## Volvo

Engine Make & Model	Vehicle Model	Vehicle Year	HP	Mounting / Hub Assembly P/N	Drive / Clutch Assembly P/N	DIA INS	Fan P/N	BLADES	Notes
Cummins N14	Aero	1991-1998	> 370	1077-07738-03	1090-08500-01	32.00	4735-42904-07	8	
Cummins N14	Aero, WH	1991-1994	310-370	—	196617	32.00	916636	8	
Cummins N14	Autocar	1985-1998	> 370	1077-07738-03	1090-08500-01	32.00	4735-42904-07	8	
Cummins N14	Autocar	1985-1998	≤ 370	1077-07738-04	1090-08500-01	32.00	4735-42904-07	8	
Cummins NTC	Brigadier, General, 9500	1977-1986	—	—	187414	32.00	916636	8	
Cummins NTC	Brigadier, General, Bison	1986-1988	—	—	194021	32.00	916636	8	
Cummins N14	VN	1999-2001	ALL	1077-08101-04A	1090-08500-01	29.53	4735-42904-106	8	
Cummins N14	VN	1999-2001	ALL	1077-08101-04A	1090-08500-01	29.50	4735-41392-113	9	Australia
Cummins N14	WC	1988-1998	≤ 370	1077-07757-01	1090-08500-01	32.00	4735-38825-03	6	
Cummins N14	WC	1988-1998	> 370	1077-7757-02	1090-08500-01	32.00	4735-42904-07	8	
Cummins N14	WG	1988-1998	ALL	1077-07738-03	1090-08500-01	30.00	4735-42904-08	8	
Cummins N14	WG	1991-1994	310-350	—	198195	30.00	4735-37494-31	8	
Cummins N14	WG	1999	ALL	1077-08191-01	1090-08500-01	30.00	4735-41135-01	8	
Cummins N14	WH	1988-1998	> 370	1077-07757-02	1090-08500-01	32.00	4735-42904-07	8	
Cummins N14	WH	1988-1998	≤ 370	1077-07757-01	1090-08500-01	32.00	4735-38825-03	6	
Cummins ISX	VN	1999-2001	ALL	1077-09053-01	1090-08500-01	29.50	4735-41393-117	9	
Cummins ISX	VN	2002	—	1077-09261-02	1090-09500-01	29.50	4735-44000-02	11	
Cummins ISX	VN	2002	—	1077-09261-02	1090-09500-01	29.50	4735-44001-05	11	
Cummins ISX	VN	2002	—	1077-09261-02	1090-09500-01	29.50	4735-44003-11	11	
Cummins ISX	VN	2002	—	1077-09261-03	1090-09500-01	29.50	4735-44000-02	11	
Cummins ISX	VN	2002	—	1077-09261-03	1090-09500-01	29.50	4735-44001-05	11	
Cummins ISX	VN	2002	—	1077-09261-03	1090-09500-01	29.50	4735-44003-11	11	
Cummins ISX	VNL, VNM	2004-2005	—	1077-09261-02	1090-09500-01	29.53	4735-44003-11	11	
DDC S60	Aero	1993-1998	> 430	1077-07735-02	1090-08500-01	32.00	4735-41135-08	8	
DDC S60	Aero	1993-1998	≤ 350	1077-07735-01	1090-08500-01	30.00	4735-42904-08	8	
DDC S60	Aero	1993-1998	≤ 430	1077-07735-01	1090-08500-01	32.00	4735-38825-03	6	
DDC S60	Aero	1993-1998	ALL	1077-07735-01	1090-08500-01	32.00	4735-38825-03	6	<sup>3</sup> 1250 lb-ft torque
DDC S60	Aero	1993-1998	ALL	1077-07735-01	1090-08500-01	30.00	4735-42904-08	8	≤ 1250 lb-ft torque
DDC S60	Aero	1993-1998	—	1077-07735-01	1090-08500-01	30.00	4735-41392-01	9	> 1250 lb-ft torque
DDC 6V92, 8V92	Astro	1986-1992	—	—	194545	30.00	916827	8	
DDC S60	Autocar	1993-1998	> 430	1077-07735-02	1090-08500-01	32.00	4735-41135-08	8	
DDC S60	Brigadier, General	1986-1992	—	—	196050	32.00	917345	8	
DDC 6V71, 6V92, 8V71, 8V92	Brigadier, General, 9500	1977-1986	—	—	187416	32.00	916636	8	
DDC S60	VN	1999-2001	ALL	1077-08207-02	1090-08500-01	29.50	4735-41134-70	8	Big cab
DDC S60	VN	1999-2001	ALL	1077-08207-01	1090-08500-01	29.50	4735-41134-70	8	Small cab
DDC S60	WAH, WG	1988-1998	ALL	1077-07735-01	1090-08500-01	30.00	4735-42904-08	8	≤ 1250 lb-ft torque
DDC S60	WAH, WG	1988-1998	—	1077-07735-01	1090-08500-01	30.00	4735-41392-01	9	> 1250 lb-ft torque
DDC S60	WC, WH	1993-1998	> 430	1077-07735-02	1090-08500-01	32.00	4735-41135-08	8	
DDC S60	WC, WH	1993-1998	≤ 430	1077-07735-01	1090-08500-01	32.00	4735-38825-03	6	
DDC S60	WC, WH	1993-1998	ALL	1077-07735-01	1090-08500-01	32.00	4735-38825-03	6	<sup>3</sup> 1250 lb-ft torque

Engine Make & Model	Vehicle Model	Vehicle Year	HP	Mounting / Hub Assembly P/N	Drive / Clutch Assembly P/N	DIA INS	Fan P/N	BLADES	Notes
DDC S60	WG	1991-1994	300-350	—	198195	30.00	4735-37494-31	8	
DDC S60	WG	1988-1998	≤ 350	1077-07735-01	1090-08500-01	30.00	4735-42904-08	8	
DDC S60	WG	1999-2001	ALL	1077-07735-01	1090-08500-01	30.00	4735-41135-01	8	
Volvo VED12	AC, WG	1999-2001	ALL	1077-08101-01	1090-08500-01	29.50	4735-41135-66	8	
Volvo D12	VHD	2004-2005	< 465	1077-09261-02	1090-09500-01	29.50	4735-44000-02	11	
Volvo D12	VN	1999-2001	< 465	1077-08101-01A	1090-08500-01	29.50	4735-41135-66	8	Gen 4, 8 groove
Volvo D12	VN	1999-2001	< 465	1077-08101-03A	1090-08500-01	29.50	4735-41135-66	8	
Volvo D12	VN	1999-2001	< 465	1077-08101-03A	1090-08500-01	29.50	4735-41392-113	9	
Volvo D12	VN,VHD	2002	< 465	1077-09261-02	1090-09500-01	29.50	4735-44000-02	11	
Volvo D12	VN,VHD	2002	< 465	1077-09261-02	1090-09500-01	29.50	4735-44001-05	11	
Volvo D12	VN,VHD	2002	< 465	1077-09261-02	1090-09500-01	29.50	4735-44003-11	11	
Volvo D12	VN,VHD	2002	< 465	1077-09261-03	1090-09500-01	29.50	4735-44000-02	11	
Volvo D12	VN,VHD	2002	< 465	1077-09261-03	1090-09500-01	29.50	4735-44001-05	11	
Volvo D12	VN,VHD	2002	< 465	1077-09261-03	1090-09500-01	29.50	4735-44003-11	11	
Volvo D12	VNL,VNM	2004-2005	< 360	1077-09261-03	1090-09500-01	29.53	4735-44001-05	11	
Volvo D12	VNL,VNM	2004-2005	> 360	1077-09261-02	1090-09500-01	29.53	4735-44001-05	11	
<b>Western Star</b>									
Cat 3176	4800	1996-2003	ALL	1077-07770-06	1090-08500-01	32.00	4735-41134-42	8	
Cat 3176	4800	1996-2003	ALL	1077-07770-06	1090-08500-01	30.00	4735-41393-01	9	
Cat 3176	4900	1996-2003	ALL	1077-07770-06	1090-08500-01	32.00	4735-41134-42	8	
Cat 3176	4900	1996-2003	ALL	1077-07770-06	1090-08500-01	30.00	4735-41393-01	9	
Cat 3176	5900	1996-2003	ALL	1077-07770-06	1090-08500-01	32.00	4735-41134-42	8	
Cat 3176	5900	1996-2003	ALL	1077-07770-06	1090-08500-01	30.00	4735-41393-01	9	
Cat 3176	3800, 4800, 4900, 5900	1989-1993	ALL	1077-07770-06	1090-08500-01	30.00	4735-41134-01	8	
Cat 3176	3800, 4800, 4900, 5900	1994-1995	ALL	1077-07770-06	1090-08500-01	30.00	4735-41392-01	9	
Cat 3176	3800, 4800, 4900, 5900	1989-1995	ALL	1077-07770-06	1090-08500-01	32.00	4735-41134-42	8	
Cat C10/C12	4800	1996-2003	ALL	1077-07770-06	1090-08500-01	32.00	4735-41134-42	8	
Cat C10/C12	4800	1996-2003	ALL	1077-07770-06	1090-08500-01	30.00	4735-41393-01	9	
Cat C10/C12	4900	1996-2005	ALL	1077-07770-06	1090-08500-01	32.00	4735-41134-42	8	
Cat C10/C12	4900	1996-2005	ALL	1077-07770-06	1090-08500-01	30.00	4735-41393-01	9	
Cat C10/C12	5900	1996-2003	ALL	1077-07770-06	1090-08500-01	32.00	4735-41134-42	8	
Cat C10/C12	5900	1996-2003	ALL	1077-07770-06	1090-08500-01	30.00	4735-41393-01	9	
Cat C11/C13	4900	2004-2005	ALL	1077-09354-01	1090-09500-01	32.00	—	—	
Cat C15	4900	2004-2005	ALL	010020040	1090-09500-01	32.00	—	—	
Cat C15	6900	2004-2005	ALL	010020040	1090-09500-01	32.00	—	—	
Cat 3306	3800	1976-1998	ALL	1077-08071-01	1090-08500-01	30.00	4735-41134-01	8	
Cat 3306	4800	1996-1999	ALL	1077-08071-01	1090-08500-01	30.00	4735-41135-01	8	
Cat 3306	4800	1996-1999	ALL	1077-08071-01	1090-08500-01	32.00	4735-41135-08	8	
Cat 3306	4900	1996-1999	ALL	1077-08071-01	1090-08500-01	30.00	4735-41135-01	8	
Cat 3306	4900	1996-1999	ALL	1077-08071-01	1090-08500-01	32.00	4735-41135-08	8	
Cat 3306	5900	1996-1999	ALL	1077-08071-01	1090-08500-01	30.00	4735-41135-01	8	
Cat 3306	5900	1996-1999	ALL	1077-08071-01	1090-08500-01	32.00	4735-41135-08	8	
Cat 3306	4800, 4900, 5900	1976-1995	ALL	1077-08071-01	1090-08500-01	30.00	4735-41134-01	8	

**Note:** When replacing the fan drive, use the corresponding 1090-09500 in place of the obsolete 1090-08500 series fan drive.

## Western Star

Engine Make & Model	Vehicle Model	Vehicle Year	HP	Mounting / Hub Assembly P/N	Drive / Clutch Assembly P/N	DIA INS	Fan P/N	BLADES	Notes
Cat 3406	3800, 4800, 4900	1988-1990	ALL	1077-07767-02	1090-08500-01	30.00	4735-41392-01	9	
Cat 3406C	4900, 5900, 6900	1991-1995	ALL	1077-07767-02	1090-08500-01	32.00	4735-41392-08	9	
Cat 3406E	4800	1996-2003	ALL	1077-07767-02	1090-08500-01	32.00	4735-41134-42	8	
Cat 3406E	4900	1996-2003	ALL	1077-07767-02	1090-08500-01	30.00	—	—	
Cat 3406E	5900	1996-2003	ALL	1077-07767-02	1090-08500-01	32.00	4735-41134-42	8	
Cat 3406E	6900	1996-2003	ALL	1077-07767-02	1090-08500-01	32.00	4735-41134-42	8	
Cummins ISC	4800	1998-2001	ALL	1077-08099-01	1090-08500-01	28.00	4735-35480-10	6	
Cummins ISC	4800	1998-2001	ALL	1077-08099-01	1090-08500-01	22.00	4735-41391-52	9	
Cummins ISC	4900	1998-2001	ALL	1077-08099-01	1090-08500-01	28.00	4735-35480-10	6	
Cummins ISC	4900	1998-2001	ALL	1077-08099-01	1090-08500-01	22.00	4735-41391-52	9	
Cummins ISC	5900	1998-2001	ALL	1077-08099-01	1090-08500-01	28.00	4735-35480-10	6	
Cummins ISC	5900	1998-2001	ALL	1077-08099-01	1090-08500-01	22.00	4735-41391-52	9	
Cummins L10	3800, 4800, 4900, 5900	1985-1994	≤ 300	1077-07738-02	1090-08500-01	30.00	4735-35480-05	6	
Cummins L10	3800, 4800, 4900, 5900	1985-1994	3 300	1077-07738-06	1090-08500-01	30.00	4735-41392-01	9	
Cummins L10	4800, 4900	8/94-1985	≤ 300	1077-07738-06	1090-08500-01	32.00	4735-41134-42	8	
Cummins M11	3800, 4800, 4900, 5900	1995-1997	3 300	1077-07738-06	1090-08500-01	30.00	4735-41392-01	9	
Cummins M11	4800, 4900	1995-1997	≤ 300	1077-07738-06	1090-08500-01	32.00	4735-41135-08	8	
Cummins ISM	4800	1998-2003	ALL	1077-09122-03	1090-08500-01	32.00	4735-41135-08	8	
Cummins ISM	4800	1998-2003	ALL	1077-09122-03	1090-08500-01	30.00	4735-41393-01	9	
Cummins ISM	4900	1998-2005	ALL	1077-09122-03	1090-08500-01	32.00	4735-41135-08	8	
Cummins ISM	4900	1998-2005	ALL	1077-09122-03	1090-08500-01	30.00	4735-41393-01	9	
Cummins ISM	5900	1998-2003	ALL	1077-09122-03	1090-08500-01	32.00	4735-41135-08	8	
Cummins ISM	5900	1998-2003	ALL	1077-09122-03	1090-08500-01	30.00	4735-41393-01	9	
Cummins N14	3800	1991-1994	ALL	1077-07867-01	1090-08500-01	30.00	4735-41392-01	9	
Cummins N14	3800	1995-1998	≤ 370	1077-07867-01	1090-08500-01	30.00	4735-41393-01	9	
Cummins N14	4800	1991-1994	≤ 370	1077-07867-01	1090-08500-01	30.00	4735-38825-05	6	
Cummins N14	4800	1995	≤ 370	1077-07867-01	1090-08500-01	30.00	4735-41393-01	9	
Cummins N14	4800	1996-1999	ALL	1077-07867-01	1090-08500-01	32.00	4735-41134-42	8	
Cummins N14	4900	1991-8/94	≤ 370	1077-07867-01	1090-08500-01	32.00	4735-38825-03	6	
Cummins N14	4900	1991-8/94	ALL	1077-07867-01	1090-08500-01	30.00	4735-41134-01	8	
Cummins N14	4900	1995	≤ 370	1077-07867-01	1090-08500-01	32.00	4735-41134-42	8	
Cummins N14	4900	1995	ALL	1077-07867-01	1090-08500-01	30.00	4735-41393-01	9	
Cummins N14	4900	1996-2000	ALL	1077-07867-01	1090-08500-01	32.00	4735-41134-42	8	
Cummins N14	4900, 5900	1991-1995	ALL	1077-07867-01	1090-08500-01	32.00	4735-41134-42	8	
Cummins N14	5900	1995	≤ 370	1077-07867-01	1090-08500-01	32.00	4735-41134-42	8	
Cummins N14	5900	1996-2000	ALL	1077-07867-01	1090-08500-01	32.00	4735-41134-42	8	
Cummins N14	5900, 6900	1991-8/94	≤ 370	1077-07867-01	1090-08500-01	32.00	4735-38825-03	6	
Cummins N14	6900	1995-2000	≤ 370	1077-07867-01	1090-08500-01	32.00	4735-41134-42	8	
Cummins N14	6900	1991-2000	ALL	1077-07867-01	1090-08500-01	32.00	4735-41134-42	8	
Cummins ISX	4800	1998-1999	ALL	1077-09010-01	1090-08500-01	32.00	4735-41393-08	9	
Cummins ISX	4800	2000-2001	ALL	1077-09176-02	1090-08500-01	32.00	4735-41393-08	9	
Cummins ISX	4900	1998-1999	ALL	1077-09010-01	1090-08500-01	32.00	4735-41393-08	9	
Cummins ISX	4900	2000-2001	ALL	1077-09176-02	1090-08500-01	30.00	—	—	

Engine Make & Model	Vehicle Model	Vehicle Year	HP	Mounting / Hub Assembly P/N	Drive / Clutch Assembly P/N	DIA INS	Fan P/N	BLADES	Notes
Cummins ISX	4900	2000-2005	ALL	1077-09176-02	1090-08500-01	32.00	4735-41393-08	9	
Cummins ISX	5900	1998-1999	ALL	1077-09010-01	1090-08500-01	32.00	4735-41393-08	9	
Cummins ISX	5900	1998-1999	ALL	1077-09176-02	1090-08500-01	32.00	4735-41393-08	9	
DDC S60	3800, 5900	1986-1995	ALL	1077-07735-03	1090-08500-01	32.00	4735-41134-42	8	
DDC S60	4800	1996-2003	ALL	1077-07735-01	1090-08500-01	32.00	4735-41134-42	8	
DDC S60	4800, 4900	1991-8/94	ALL	1077-07735-03	1090-08500-01	30.00	4735-41134-01	8	
DDC S60	4800, 4900	9/94-1995	ALL	1077-07735-03	1090-08500-01	30.00	4735-41393-01	9	
DDC S60	4800, 4900	9/94-1995	—	1077-07735-03	1090-08500-01	32.00	4735-41134-42	8	
DDC S60	4900	1996-2002	ALL	1077-07735-01	1090-08500-01	32.00	4735-41134-42	8	
DDC S60	4900	1996-2002	ALL	1077-07735-01	1090-08500-01	30.00	—	—	
DDC S60	4900	1996-2002	ALL	1077-09351-01	1090-09500-01	32.00	—	—	
DDC S60	5900	1996-2003	ALL	1077-07735-01	1090-08500-01	32.00	4735-41134-42	8	
DDC S60	6900	1991-8/94	ALL	1077-07735-03	1090-08500-01	32.00	4735-38825-03	6	
DDC S60	6900	9/94-1998	ALL	1077-07735-03	1090-08500-01	32.00	4735-41134-42	8	
DDC S60	6900	1998-2003	ALL	1077-07735-01	1090-08500-01	32.00	—	—	
DDC S60	6900	2004-2005	ALL	1077-09351-01	1090-09500-01	32.00	—	—	

**Note:** When replacing the fan drive, use the corresponding 1090-09500 in place of the obsolete 1090-08500 series fan drive.

# HRU Competitive Cross Reference

HRU CROSS REFERENCE

Horton OE Part #	Horton Reman Part #	HRU Part #	(A) Critical Dimension	(B) Overall Length	Single Pulley	Dual Pulley	(C) Pulley Diameter		
							C <sup>1</sup>	C <sup>2</sup>	
999004	799004	HRU699004	5.55	10.36	•		6.22		
999012	799012	HRU699012	1.94	7.28		•	7.50	9.00	
999019	799019	HRU699019	1.48	5.86	•		7.32		
999023	799023	HRU699023	0.45	6.17		•	7.13	6.19	
999026	799026	HRU699026	1.40	6.09	•		6.77		
999030	799030	HRU699030	6.65	11.22	•		6.77		
999037	799037	HRU699037	2.84	6.11		•	7.50	7.75	
999041	799041	HRU699041	2.35	8.32	•		5.48		
999047	799047	HRU699047	3.36	8.00	•		5.88		
999065	799065	HRU699065	2.37	7.93	•		6.20		
999067	799067	HRU699067	2.37	8.93	•		6.20		
999068	799068	HRU699068	0.86	6.85	•		5.56		
999070	799070	HRU699070	1.08	6.67		•	7.50	9.00	
999074	799074	HRU699074	1.94	9.03		•	7.50	9.00	
999078	799078	HRU699078	1.08	8.17		•	7.50	9.00	
999079	799079	HRU699079	3.57	8.35		•	7.79	5.82	
999082	799082	HRU699082	1.06	8.49	•		5.51		
999090	799090	HRU699090	5.55	10.36	•		6.22		
999103	799103	HRU699103	2.31	7.28	•		7.50		
999191	799191	HRU699191	1.94	7.60		•	7.52	9.16	
999195	799195	HRU699195	1.48	6.61	•		7.01		
999263	799263	HRU699263	5.51	11.73	•		8.36		
999292	799292	HRU699292	1.08	6.70		•	7.539	9.039	

**Note:** All measurements are in inches

# HRU Competitive Cross Reference

	<b>(D) # of Grooves on Pulley</b>		<b>(H) Horizontal</b>	<b>(V) Vertical</b>	<b>Clutch Service Kit</b>	<b>Hub Service Kit</b>
	<b>D<sup>1</sup></b>	<b>D<sup>2</sup></b>				
		8	3.58	2.79	1033-09339-01	1033-07781-01
	8	6	5.00	2.69	1033-09339-01	1033-07781-01
		10	3.63	3.07	1033-09339-01	1033-07781-01
	8	6	1.97	5.87	1033-09339-01	1033-07781-01
		10	3.63	3.27	1033-09339-01	1033-07781-01
		10	6.36	5.53	1033-09339-01	1033-07782-02
	8	1	2.32	2.00	1033-09339-01	1033-07781-01
		14	5.31	5.39	1033-09339-01	1033-07781-01
		2		8.00	1033-09339-01	1033-07781-01
		3	5.32	5.00	1033-09339-01	1033-07781-01
		3	5.32	8.00	1033-09339-01	1033-07781-01
		8	2.36	7.24	1033-09339-01	1033-07781-01
	8	6	2.32	10.00	1033-09339-01	1033-07781-01
	8	6	5.00	3.50	1033-09339-01	1033-07781-01
	8	6	2.32	10.00	1033-09339-01	1033-07781-01
	14	3	3.33	8.59	1033-09339-01	1033-07782-03
		14	3.33	11.18	1033-09339-01	1033-07781-01
		8	3.58	2.76	1033-09339-01	1033-07781-01
		4	5.00	10.00	1033-09339-01	1033-07781-01
	8	6	5.00	2.69	1033-09339-01	1033-07781-01
	12	12	3.63	3.27	1033-09339-01	1033-07781-01
		8	3.58	2.76	1033-09339-01	1033-07781-01
	8	6	2.32	10.04	1033-09339-01	1033-07781-01

HRU CROSS REFERENCE



# Cummins

OEM / MFG CROSS-REFERENCE

OEM NUMBER	BorgWarner PART NUMBER	DESCRIPTION	NOTES
<b>Cummins</b>			
199233	1047-36000-28	Shutterstat NO-1/2-180 F	
3038249	1002-04870-34	Alarmstat	
3039527	4035-35828-14	Fan Blade 26-7-2.72 2.00/3.50/3.875 CCW	
3099235	1033-07783-01	Kit-Service	
3099236	4038-42192-01	Service Tool-R/A Pulley	
3099274	1093-07736-05	Fan Clutch & Mounting Assembly	
3099278	1056-08087-02	Solenoid	
3099282	1093-07900-02	Fan Clutch & Mounting Assembly	
3099313	1093-07900-01	Fan Clutch & Mounting Assembly	
3099314	1093-07930-04	Fan Clutch & Mounting Assembly	
3099359	1093-08122-02	Fan Clutch & Mounting Assembly	
3099404	1020-05708-01	Air Filter	
3099415	1093-07868-03	Fan Clutch & Mounting Assembly	
3099416	1093-07868-05	Fan Clutch & Mounting Assembly	
3099417	1093-07868-06	Fan Clutch & Mounting Assembly	
3099418	1093-07736-14	Fan Clutch & Mounting Assembly	
3099524	1093-07868-01	Fan Clutch & Mounting Assembly	
3099525	1093-07868-02	Fan Clutch & Mounting Assembly	
3099530	4735-41392-113	Fan Blade 29.5-9-3.50 2.56/3.50	
3099556	4735-41392-04	Fan Blade 29-9-3.50 2.56/3.50	
3099557	4735-41392-05	Fan Blade 28-9-3.50 2.56/3.50	
3099558	4735-41393-04	Fan Blade 29-9-3.50 2.62/3.50	
3099559	4735-41393-05	Fan Blade 28-9-3.50 2.56/3.50	
3178547	1042-08200-10	Pressurestat	
3283345	4735-35828-179	Fan Blade	
3328436	4735-38825-59	Fan Blade 30-6-2.83 2.00/3.50/3.875	
3410242	918745	Fan Blade	
3415000	1093-07900-02	Fan Clutch & Mounting Assembly	
3415001	1093-07900-03	Fan Clutch & Mounting Assembly	
3415002	1093-07736-09	Fan Clutch & Mounting Assembly	
3415003	1093-07896-12	Fan Clutch & Mounting Assembly	
3415004	1093-07736-09	Fan Clutch & Mounting Assembly	
3415005	1093-07930-12	Fan Clutch & Mounting Assembly	
3415006	1093-07934-02	Fan Clutch & Mounting Assembly	
3415007	1093-07934-03	Fan Clutch & Mounting Assembly	
3415008	1093-09064-02	Fan Clutch & Mounting Assembly	
3415009	1093-07768-08	Fan Clutch & Mounting Assembly	
3415010	1093-07930-05	Fan Clutch & Mounting Assembly	
3415011	1093-09064-01	Fan Clutch & Mounting Assembly	
3415012	1090-08000-01	Fan Clutch	
3415013	1090-08500-01	Fan Clutch	Obsolete - replace with 1090-09500-01
3415014	1077-07899-02	Mounting Assembly	
3415015	1077-07899-03	Mounting Assembly	
3415016	1077-07735-09	Mounting Assembly	
3415017	1077-07895-12	Mounting Assembly	
3415018	1077-07735-03	Mounting Assembly	
3415019	1077-07929-12	Mounting Assembly	
3415020	1077-07933-02	Mounting Assembly	
3415021	1077-07933-03	Mounting Assembly	
3415022	1077-09063-02	Mounting Assembly	
3415023	1077-07767-08	Mounting Assembly	
3415024	1077-07929-05	Mounting Assembly	
3415025	1077-09063-01	Mounting Assembly	
3415026	1033-05435-02	Kit-Service K22	

OEM NUMBER	BorgWarner PART NUMBER	DESCRIPTION	NOTES
3415027	1033-05435-03	Kit-Service K22RA	
3415028	1033-07782-02	Kit-Service	
3415029	1033-08250-01	Kit-Lining Replacement	
3415030	4735-41392-08	Fan Blade 32-9-3.50 2.56/3.50	
3415031	4735-41393-08	Fan Blade 32-9-3.50 2.56/3.50	
3415032	1093-08122-01	Fan Clutch & Mounting Assembly	
3415033	1093-08268-01	Fan Clutch & Mounting Assembly	Replaced 1093-07740-01
3415034	1093-07740-04	Fan Clutch & Mounting Assembly	
3415035	1093-07987-01	Fan Clutch & Mounting Assembly	
3415036	1093-07868-04	Fan Clutch & Mounting Assembly	
3415037	1093-07934-01	Fan Clutch & Mounting Assembly	
3415038	4735-41392-01	Fan Blade 30-9-3.502.56/3.50	
3415039	4735-41393-01	Fan Blade 30-9-3.50 2.56/3.50	
3415040	1033-08233-01	Kit-Seal Repair	
3415041	1077-08121-01	Mounting Assembly	
3415042	1077-08267-01	Mounting Assembly	
3415043	1077-07986-01	Mounting Assembly	
3415044	1077-07933-01	Mounting Assembly	
3415045	1077-07867-04	Mounting Assembly	
3415046	1077-07738-04	Mounting Assembly	
3415047	1093-07736-04	Fan Clutch & Mounting Assembly	
3415048	1077-07735-04	Mounting Assembly	
3415049	1056-08087-01	Solenoid	
3415050	3042-01223-16	Socket Head Capscrew Nylon Patch 3/8-16x1.00	
3415051	4038-40903-01	Coupling	
3415052	4043-41795-01	Cylinder Assembly	
3415055	4079-42079-01	Piston Rod-K22RA	
3415056	1056-06899-01	Solenoid	
3680264	1093-09078-01	Fan Clutch & Mounting Assembly	
3681241	1093-09013-01	Fan Clutch & Mounting Assembly	
3681242	1093-09020-01	Fan Clutch & Mounting Assembly	
3681247	1093-09011-01	Fan Clutch & Mounting Assembly	
3681248	1093-09054-01	Fan Clutch & Mounting Assembly	
3681275	1093-09056-01	Fan Clutch & Mounting Assembly	
3681696	1093-09013-02	Fan Clutch & Mounting Assembly	
3811953	918795	Fan Blade	
3811954	918796	Fan Blade 32-6-2.05 2.00/3.50	
3811955	918831	Fan Blade	
3811956	918797	Fan Blade	
3811957	918800	Fan Blade 40-8-3.01 3.00/4.50/5.50 MGG	
3811958	918801	Fan Blade	
3811959	918802	Fan Blade	
3811960	918798	Fan Blade	
3811963	918791	Fan Blade 40-8-2.47 3.00/5.50/4.50 GG CCW	
3811964	918784	Fan Blade	
3811965	918789	Fan Blade	
3811970	918793	Fan Blade	
3811996	918837	Fan Blade	
3811997	918779	Fan Blade	
3883829	1002-07393-31	Alarmstat	
3910373	4035-38449-27	Fan Blade 19-10-2.16 1.002/1.97/2.36	
3911316	4735-35828-52	Fan Blade 18-7-2.72 1.002/1.97/2.36 CCW	
3911317	4735-35828-42	Fan Blade 20-7-2.72 1.002/1.97/2.36 CCW	
3911318	4735-35828-43	Fan Blade 22-7-2.72 1.002/1.97/2.36 CCW	
3911319	4735-38825-31	Fan Blade 24-6-2.83 1.002/1.97/2.36	

# Cummins

OEM / MFG CROSS-REFERENCE

OEM NUMBER	BorgWarner PART NUMBER	DESCRIPTION	NOTES
3911320	4735-35828-44	Fan Blade 24-7-2.72 1.002/1.97/2.36 CCW	
3911321	4735-38825-40	Fan Blade 26-6-2.83 1.002/1.97/2.36	
3911322	4735-35828-45	Fan Blade 26-7-2.72 1.002/1.97/2.36 CCW	
3911323	4735-38825-51	Fan Blade 28-6-2.83 1.002/1.97/2.36	
3911324	4735-35828-53	Fan Blade 28-7-2.72 1.002/1.97/2.36 CCW	
3911325	4735-38825-58	Fan Blade 30-6-2.83 1.002/1.97/2.36	
3911326	4735-35828-54	Fan Blade 30-7-2.72 1.002/1.97/2.36 CCW	
3911327	4735-38825-64	Fan Blade 32-6-2.83 1.002/1.97/2.36	
3911328	4735-35828-55	Fan Blade 32-7-2.72 1.002/1.97/2.36 CCW	
3911931	196673	Fan & Drive Assembly DD22	196375 Drive Only Replaced by 169306 Kit
3912604	196779	Fan & Drive Assembly DD22	196579 Drive Only Replaced by 168991 Kit
3912750	4735-38449-19	Fan Blade 18-10-2.16 1.002/19.7/2.36	
3912751	4735-38449-03	Fan Blade 20-10-2.16 1.002/1.97/2.36	
3912752	4735-38449-21	Fan Blade 21-10-2.16 1.002/1.97/2.36	
3912753	4735-38449-06	Fan Blade 22-10-2.16 1.002/1.97/2.36	
3914263	917355	Fan Blade 24-6-2.67 1.00/1.97/2.36 006	
3914264	917356	Fan Blade 24-6-2.67 1.00/1.97/2.36 006 CCW	
3914265	917357	Fan Blade 26-6-1.93 1.00/1.97/2.36 006	
3914266	917358	Fan Blade 26-6-1.89 1.00/1.97/2.36 006 CCW	
3914267	917359	Fan Blade 26-6-2.67 1.00/1.97/2.36 006	
3914268	917360	Fan Blade 26-6-2.67 1.00/1.97/2.36 006 CCW	
3914269	917302	Fan Blade 18-6-2.15 1.0/1.97/2.36 M006	
3914270	917303	Fan Blade 18-6-2.15 1.00/1.97/2.36 M006 CCW	
3914271	917304	Fan Blade 18-6-2.67 1.00/1.97/2.36 M006	
3914272	917305	Fan Blade 18-6-2.67 1.00/1.97/2.36 M006 CCW	
3914273	917306	Fan Blade 20-6-2.15 1.00/1.97/2.36 M006	
3914274	917307	Fan Blade 20-6-2.15 1.00/1.97/2.36 M006 CCW	
3914275	917308	Fan Blade 20-6-2.67 1.00/1.97/2.36 M006	
3914276	917309	Fan Blade 20-6-2.67 1.00/1.97/2.36 M006 CCW	
3914277	917310	Fan Blade 22-6-2.15 1.00/1.97/2.36 M006	
3914278	917311	Fan Blade 22-6-2.15 1.00/1.97/2.36 M006 CCW	
3914279	917312	Fan Blade 22-6-2.67 1.00/1.97/2.36 M006	
3914280	917313	Fan Blade 22-6-2.67 1.00/1.97/2.36 M006 CCW	
3930238	4035-38825-81	Fan Blade 24-6-2.83 2.00/3.50	
3930239	4035-38825-82	Fan Blade 26-6-2.83 2.00/3.50	
3930241	4035-38449-42	Fan Blade 18-10-2.16 2.00/3.50	
3930242	4035-38449-08	Fan Blade 20-10-2.16 2.00/3.50	
3930243	4735-38449-09	Fan Blade 22-10-2.16 2.00/3.50	
3931028	4735-41135-40	Fan Blade 24-8-3.00 1.002/1.97/2.36	
4004076	1093-09121-02	Fan Clutch & Mounting Assembly	
4004077	1093-09123-01	Fan Clutch & Mounting Assembly	
4004078	1093-09127-01	Fan Clutch & Mounting Assembly	
4004079	1093-09129-01	Fan Clutch & Mounting Assembly	
4004080	1093-09129-02	Fan Clutch & Mounting Assembly	
4004492	1093-09119-01	Fan Clutch & Mounting Assembly	
4004493	1093-09129-04	Fan Clutch & Mounting Assembly	
4022708	1077-09128-04	Mounting Assembly	
4022709	1077-09116-13	Mounting Assembly	
4022711	1077-09122-04	Mounting Assembly	
4022712	1077-09128-07	Mounting Assembly	
4022713	1077-09116-12	Mounting Assembly	
4023035	4038-37053-01	Pulley Hub End Cap	
4023036	3042-01723-05	Hex Head Capscrew Flanged M12x1.75	
4023037	4011-43659-01	Mounting Assembly Base Bracket	
4023038	1077-09116-11	Mounting Assembly	

OEM NUMBER	BorgWarner PART NUMBER	DESCRIPTION	NOTES
4023039	1077-09116-09	Mounting Assembly	
4023040	1077-09236-02	Mounting Assembly	
4023041	1077-09236-01	Mounting Assembly	
4023048	3042-01750-10	Hex Head Capscrew M12x1.75	
4024693	1093-07906-02	Fan Clutch & Mounting Assembly	
4024746	4079-41133-01	Piston Rod Assembly-Service	
4026628	1093-09177-02	Fan Clutch & Mounting Assembly	
10000336	4735-41296-61	Fan Blade 20-7-4.00 1.002/1.97/2.36 CCW	
11000280	4735-35480-94	Fan Blade 26-6-2.83 1.002/2.97/2.36	
11000281	4735-35828-45	Fan Blade 26-7-2.72 1.002/1.97/2.36 CCW	
11000282	4735-41135-06	Fan Blade 32-8-3.00 1.002/1.97/2.36	
11000283	4735-35828-55	Fan Blade 32-7-2.72 1.002/1.97/2.36 CCW	
11000286	4735-35480-85	Fan Blade 24-6-2.83 1.002/1.97/2.36	
11000310	4735-41135-07	Fan Blade 32-8-3.00 2.00/3.50	
11000311	4735-35828-34	Fan Blade 32-7-2.72 2.00/3.50/3.875 CCw	
11000338	4735-38449-129	Fan Blade 18-10-2.20 1.417/2.283	
11000342	4735-38164-30	Fan Blade 30-8-3.93 1.002/1.97/2.36	
33912751	4735-38449-03	Fan Blade 20-10-2.16 1.002/1.97/2.36	
368127700	1093-09112-01	Fan Clutch & Mounting Assembly	
42600-44	4735-42600-44	Fan Blade 22-10-2.90 1.002/1.97/2.36	
C0130360900	4035-38449-26	Fan Blade 16-10-2.16 1.252/1.97/2.125	
<b>Dodge</b>			
4428159	17359-1	Fan Clutch 220 Dodge Pickup Cummins 5.9L	
52004928	17853-1	Fan Clutch 560 91.5 Dodge Pickup Cummins 5.9L	
52006096	17427-1	Fan Clutch 560 Dodge Pickup Cummins 5.9L	
52028615	18448-1	Fan Clutch 575 98 Dodge Pickup Cummins 5.9L	
52028615AB	18448-2	Fan Clutch 575 98 Dodge Pickup Cummins 5.9L	
52028760	18409-1	Fan Clutch 565 97 Dodge Pickup Cummins 5.9L	
52028879AA-A00	18847-1	Fan Clutch 595 2003 Dodge Pickup Cummins 5.9L	
52028894AA	18663-1	Fan Clutch 585 2000 Dodge Pickup Cummins 5.9L	
<b>Ford</b>			
87HU-8600-BA	917866	Fan Blade	
87HU-8600-CA	917890	Fan Blade	
88HU-8600-AA	917978	Fan Blade 25-6-3.36 5.00/6.00 006	
89HU-8A616-AA	17338-2	Fan Clutch 610	
94HA-8600-AA	4035-41392-01	Fan Blade 30-9-3.50 2.56/3.50	
98HU-8A616-AA	169955	DD26 Durodrive	
C9HA-8600-R	914370	Fan Blade 23.44-5-2.20 3.8/FO0	No longer available
C9HZ-8600-A	914370	Fan Blade 23.44-5-2.20 3.8/FO0	No longer available
D0HA-8600-Z	914377	Fan Blade 20-5-2.27 1.26/2.75 SS5	
D0HZ-8600-F	914377	Fan Blade 20-5-2.27 1.26/2.75 SS5	
D1HZ-8600-A	914769	Fan Blade 21.8-5-2.43 1.26/2.75 BB5	
D1TD-8A616-AA	16265-1	Fan Clutch 240 F&B 600/700 3208 Overseas	
D2HZ-8600-A	914823	Fan Blade 26-5-2.00 2.00/3.50 BB5	
D3HA-8A616-AB	18062-1	Fan Clutch 560	
D3HZ-8A616-A	15071-1	Fan Clutch 220 L Series w/ V-8 Gas Eng	
D3HZ-8A616-B	15923-4	Fan Clutch 240-Stamped E3HT-HA	Use 18062-1
D3HZ-8A616-E	16349-3	Fan Clutch 240-Stamped E3HT-JA	
D5HA-8600-AEA	916381	Fan Blade	Use 917164
D5HA-8600-AJ2A	916405	Fan Blade	
D5HA-8600-AKA	916394	Fan Blade	
D5HA-8600-HA	916374	Fan Blade	
D5HA-8A616-AE	13195-2	Fan Clutch 340	
D5HA-8A616-CB	181946	DD32 Durodrive 3.75 BC 4 holes 4.877/4.875 pilot	
D5HA-8A616-DB	181945	DD32 Durodrive 3.00 BC 4 holes 4.877/4.875 pilot	Use 193389

# Ford

OEM NUMBER	BorgWarner PART NUMBER	DESCRIPTION	NOTES
D5HZ-8600-A	916381	Fan Blade 28-8-2.48 7.00/8.44 MMGG	
D6HT-8600-HA	916496	Fan Blade	
D6HT-8A616-DA	182845	DD26 Durodrive	Use 183631
D6HZ-8600-A	916496	Fan Blade 22-6-2.93 5.00/6.00 MO6	
D6HZ-8A616-A	182845	DD26 Durodrive	Use 183631
D7HA-8600-AAA	916502	Fan Blade	
D7HA-8600-AFA	916635	Fan Blade	Use 916790
D7HA-8600-AGA	916507	Fan Blade	Use 916779
D7HA-8600-ZA	916501	Fan Blade	Use 917381
D7HA-8A616-AA	13257-1	Fan Clutch 340	
D7HA-8A616-ABA	15686-1	Fan Clutch 340	
D7HA-8A616-BA	183260	DD32 Durodrive	Use 188210
D7HA-8A616-JA	183641	DD26 Durodrive	Use 187180
D7HA-8A616-M	183829	DD26 Durodrive	
D7HA-8A616-NB	16349-2	Fan Clutch 240	Use 17337-2
D7HT-8600-AHC	916572	Fan Blade	Use 917104
D7HT-8A616-AAA	17336-2	Fan Clutch 610 Ford F,B,LNw/ 8.2L	
D7HT-8A616-ABA	15686-1	Fan Clutch 340	
D7HT-8A616-ACA	17335-1	Fan Clutch 610 Ford F,B	
D7HT-8A616-ADA	15814-1	Fan Clutch 280 Ford L 3208	
D7HT-8A616-AEC	183831	DD26 Durodrive	Use 184942
D7HT-8A616-AGA	13195-4	Fan Clutch 340	—
D7HT-8A616-AHA	17479-1	Fan Clutch 610 FordF,B,LN 3208	
D7HT-8A616-MC	185524	DD26 Durodrive	Use 186116
D7HT-8A616-RB	182848	DD26 Durodrive	Use 185009
D7HT-8A616-YA	185687	DD26 Durodrive	
D7HZ-8A616-A	16349-3	Fan Clutch 240-Stamped D7HA-NB	
D7HZ-8A616-B	15781-7	Fan Clutch 240-Stamped EDD7HT-CA	Use 17335-1
D7HZ-8A616-D	183831	DD26 Durodrive	Use 184942
D7HZ-8A616-E	13195-6	Fan Clutch 340	—
D7HZ-8A616-F	193389	DD26 Durodrive	Use 193862
D7HZ-8A616-G	183831	DD26 Durodrive	Use 184942
D7HZ-8A616-NB	15661-1	Fan Clutch 220 Ford 3208	Use 16349-2
D7HZ-8A616-P	183831	DD26 Durodrive	Use 184942
D8BE-8600-EA	916637	Fan Blade 16.58-4-1.49 .62/2.00 DCI	
D8BZ-8600-B	916637	Fan Blade 16.58-4-1.49 .62/2.00 DCI	
D8HS-8A616-CA	184514	DD32 Durodrive	Use 187605
D8HS-8A616-DA	184553	DD26 Durodrive	Use 185009
D8HS-8A616-EA	184699	DD32 Durodrive	Use 187607 & .75 Spacer
D8HS-8A616-HA	184946	DD32 Durodrive	Use 168669
D8HT-8A616-AA	13257-3	Fan Clutch 340	Use 13257-2
D8HZ-8600-H	916588	Fan Blade 20-7-1.97 3.25/3.810 CJ7	
D8HZ-8600-S	916755	Fan Blade 20.14-4-2.23 1.26/2.75 FFX4	
D8HZ-8A616-A	183260	DD32 Durodrive	Use 188210
D8HZ-8A616-C	15686-2	Fan Clutch 340 on 79 CLT 9000 w/ 8V71TA	
D8HZ-8A616-D	181945	DD26 Durodrive	Use 193862
D8HZ-8A616-E	183835	DD26 Durodrive	Use 186116
D8HZ-8A616-F	185524	DD26 Durodrive	Use 186116
D8HZ-8A616-G	183641	DD26 Durodrive	Use 187180
D8HZ-8A616-H	182848	DD26 Durodrive	Use 185009
D8HZ-8A616-J	15733-4	Fan Clutch 240-Stamped EOHT-NA	
D8HZ-8A616-K	183830	DD26 Durodrive	Use 184942
D8HZ-8A616-L	15669-2	Fan Clutch 240-Stamped D7HT-AAA	Use 17336-1
D8HZ-8A616-P	17336-2	Fan Clutch 610 Ford F,B,LN w/ 8.2L	
D8TZ-8600-A	917618	Fan Blade 19.5-5-2.17 2.62/3.25 L5	

OEM NUMBER	BorgWarner PART NUMBER	DESCRIPTION	NOTES
D9HS-8A616-CA	185559	DD32 Durodrive	Use 168607
D9HT-8600-EB	916726	Fan Blade	
D9HT-8A616-AA	17334-2	Fan Clutch 610 Ford F,B,LN LIMA	
D9HT-8A616-BD	184394	DD26 Durodrive	Use 187583
D9HT-8A616-CA	17335-1	Fan Clutch 610 Ford F,B	
D9HT-8A616-GA	185524	DD26 Durodrive	Use 186116
D9HT-8A616-HA	183835	DD26 Durodrive	Use 186116
D9HT-8A616-JA	183830	DD26 Durodrive	Use 184942
D9HT-8A616-KA	183831	DD26 Durodrive	Use 184942
D9HT-8A616-LA	182848	DD26 Durodrive	Use 185009
D9HZ-8A616-A	15750-5	Fan Clutch 240-Stamped E0HT-LA	
D9HZ-8A616-C	184394	DD26 Durodrive	Use 187583
D9HZ-8A616-E	15781-7	Fan Clutch 240-Stamped E0HT-MA	Use 17335-1
D9HZ-8A616-F	13257-3	Fan Clutch on 79 CLT 9000 w/ 8V71TA	
D9HZ-8A616-H	184394	DD26 Durodrive	Use 187583
D9JL-8600-F	916864	Fan Blade 21-6-3.05 1.26/2.75 MO6	
D9JL-8600-G	916894	Fan Blade 21-6-3.05 1.26/2.75 MO6 CCW	
D9TA-8600-AA	916828	Fan Blade 18.50-5-2.17 .62/1.75 L5	
E0HS-8A616-AA	186593	DD34 Durodrive	Use 188208
E0HT-8600-BA	916778	Fan Blade	Replaced by 917101
E0HT-8A616-GA	15923-1	Fan Clutch 240	Use 17336-1
E0HT-8A616-GC	17336-2	Fan Clutch 610 Ford F,B,LN w/ 8.2L	
E0HT-8A616-HA	17336-2	Fan Clutch 610 Ford F,B,LN w/ 8.2L	
E0HT-8A616-HB	184692	DD26 Durodrive	Use 187110
E0HT-8A616-KA	13195-6	Fan Clutch 340	—
E0HT-8A616-LA	17334-2	Fan Clutch 610 Ford F,B,LN LIMA	
E0HT-8A616-MA	15781-4	Fan Clutch 240	Use 17335-1
E0HT-8A616-NA	15733-2	Fan Clutch 240	
E0HT-8A616-RA	16074-1	Fan Clutch 280	
E0HZ-8600-C	916899	Fan Blade 19.5-5-2.21 1.26/2.50 L5	
E0HZ-8600-DB	916899	Fan Blade 19.5-5-2.21 1.26/2.50 L5	
E0HZ-8A616-A	15923-4	Fan Clutch 240-Stamped E0HT-GC	Use 196576 DD22 N/A
E0HZ-8A616-B	184692	DD26 Durodrive	Use 187110
E0MY-8600-A	917841	Fan Blade 18.5-5-2.46 2.37/3.00 L5	
E1HS-8600-EA	917046	Fan Blade	Use 917164
E1HS-8A616-CA	187697	DD34 Durodrive	Use 187606
E1HT-8A616-AA	185362	DD26 Durodrive	Use 187170
E1HT-8A616-BA	17334-2	Fan Clutch 610 Ford F,B,LN LIMA	
E1HT-8A616-CA	15781-5	Fan Clutch 610 Ford F,B	Use 17335-1
E1HZ-8A616-A	185362	DD26 Durodrive	Use 187170
E1HZ-8A616-B	16074-4	Fan Clutch 280-Stamped E0HT-RA	
E1HZ-8A616-C	184946	DD32 Durodrive	Use 168669
E1HZ-8A616-D	15750-5	Fan Clutch 240-Stamped E1HT-BA	
E1HZ-8A616-E	15781-7	Fan Clutch 240-Stamped E1HT-CA	Use 17335-1
E1HZ-8A616-G	196567	DD26 Durodrive	
E1JL-8600-AA	917058	Fan Blade	
E2HS-8A545-BA	4038-35087-03	Spacer	
E2HS-8A616-AA	188781	DD34 Durodrive	Use 194182
E2HS-8A616-BA	188543	DD34 Durodrive	Use 194182
E2HS-8A616-DA	187428	DD34 Durodrive	Use 188208
E2HS-8A616-EA	189297	DD34 Durodrive	
E2HS-8A616-FA	189297	DD34 Durodrive	
E2HT-8600-AC	917110	Fan Blade	Use 917381
E2HT-8600-BA	917061	Fan Blade 33-8-2.28	
E2HT-8A616-AA	187331	DD34 Durodrive	Use 188210

# Ford

OEM NUMBER	BorgWarner PART NUMBER	DESCRIPTION	NOTES
E2HT-8A616-BA	15733-4	Fan Clutch 240-Stamped E2HT-BA	Use 17479-1
E2HT-8A616-CA	17479-1	Fan Clutch 610	
E2HT-8A616-CA	184394	DD26 Durodrive	Use 187583
E2HT-8A616-EA	16074-3	Fan Clutch 280 F,B,LN600 Lima	
E2HT-8A616-FA	189002	DD26 Durodrive	Use 186116
E2HZ-8600-B	917110	Fan Blade 23.37-7-2.60 5.00/6.00 J7	
E2HZ-8600-C	917046	Fan Blade 28-8-2.48 7.00/8.44 MMGG	
E2HZ-8A616-A	15733-4	Fan Clutch 240-Stamped E2HT-BA	Use 17479-1
E2HZ-8A616-B	187331	DD34 Durodrive	Use 188210
E2HZ-8A616-C	17479-1	Fan Clutch 610	
E3HS-8600-BA	917139	Fan Blade	
E3HT-8600-NA	917103	Fan Blade 20-7-2.06 3.25/3.810 J7	Not Available - Obsolete
E3HT-8600-RA	917203	Fan Blade 22-7-2.56 5.00/6.00 J7	
E3HT-8600-SA	917104	Fan Blade	
E3HT-8600-TA	917101	Fan Blade	
E3HT-8600-UA	917100	Fan Blade	
E3HT-8A616-BA	15781-1	Fan Clutch 240 L,LT Lima	Use 17335-1
E3HT-8A616-CA	16305-1	Fan Clutch 260-Stamped HY	
E3HT-8A616-EC	16411-2	Fan Clutch 260 F & B Model 3208 83	Use 17398-1
E3HT-8A616-FA	15750-5	Fan Clutch 240 F,B w/Lima 8.2	Use 17334-2
E3HT-8A616-GA	15781-7	Fan Clutch 240 Ford L, LT LIMA	Use 17335-1
E3HT-8A616-HA	15923-4	Fan Clutch 240	
E3HT-8A616-J	17337-1	Fan Clutch 610	
E3HT-8A616-JA	17337-2	Fan Clutch 610	
E3HT-8A616-MA	15923-1	Fan Clutch 240 F,B w/Lima 8.2	
E3HT-8A616-RA	—	Fan Clutch L8000 w/ 3208 '87 1.36:1 Ratio 22" Fan	
E3HZ-8A616-A	16411-2	Fan Clutch 260-Stamped E3HT-EC	Use 17398-1
E3HZ-8A616-B	15923-4	Fan Clutch 240-Stamped E3HT-HA	Use 196576 DD22 N/A
E3HZ-8A616-C	15750-5	Fan Clutch 240-Stamped E3HT-FA	
E3HZ-8A616-D	15781-7	Fan Clutch 240-Stamped E3HT-GA	Use 17335-1
E3HZ-8A616-E	17337-2	Fan Clutch 610	Replaced 16349-3
E3HZ-8A616-F	16074-4	Fan Clutch 280-Stamped E2HT-EA	
E3HZ-8A616-G	17398-1	Fan Clutch 610-Stamped E3HT-EC 1983-90	
E3HZ-8A616-H	17334-2	Fan Clutch 610 Ford F,B,LN LIMA	
E3HZ-8A616-J	17335-1	Fan Clutch Male screw mt & 4 fan mtg holes 1983-98	
E3TZ-8600-G	917092	Fan Blade 18.5-5-2.18 2.375/3.00 L5	
E3TZ-8A616-E	16273-2	Fan Clutch 260-Stamped E3TA-EA	Use 169238 SD65
E4HS-8600-DA	4035-35480-19	Fan Blade 22 dia	
E4HS-8600-EA	917501	Fan Blade	
E4HS-8600-FA	4035-35480-10	Fan Blade 28-6-2.83 2.56/3.50	
E4HS-8A612-AA	191533	Mounting Assembly	Use 192616
E4HS-8A612-BA	189682	Mounting Assembly	Use 192575
E4HS-8A612-CA	191537	Mounting Assembly	Use 192577
E4HS-8A612-DA	191536	Mounting Assembly	
E4HS-8A612-EA	191535	Mounting Assembly	
E4HS-8A612-FA	192595	Mounting Assembly	Use 192582
E4HS-8A616-AA	187678	DD30 Durodrive	
E4HS-8A616-CA	193089	DD26 Durodrive	Use 17398-1
E4HZ-8600-A	917103	Fan Blade 20-7-2.06 3.25/3.810 J7	
E4HZ-8600-B	917203	Fan Blade 22-7-2.56 5.00/6.00 J7	
E4HZ-8600-D	917101	Fan Blade 22-7-3.20 5.00/6.00 J7	
E4HZ-8600-E	917100	Fan Blade 20-7-1.74 3.25/3.810 CJ7	
E4HZ-8600-H	917371	Fan Blade 18-4-2.23 .627 pilot/1.75 BC 4 Holes	

OEM NUMBER	BorgWarner PART NUMBER	DESCRIPTION	NOTES
E4HZ-8600-J	917320	Fan Blade 18-4-2.23 .75/2.75 FFX4	
E4HZ-8A616-A	—	Fan Clutch	Requires Conv Kit 192727 & 917164 Fan Blade
E5HS-8600-DA	917610	Fan Blade 28-8-3.51	
E5HS-8A616-AA	193893	DD34 Durodrive	
E5HS-8A616-BA	193919	DD34 Durodrive	Use 194182
E5HS-8A616-CA	194324	DD34 Durodrive	Use 188210
E5HS-8A616-DA	17235-1	Fan Clutch 280	
E5HS-8A627-DA	17235-1	Fan Clutch 280 on L Series w/ L-10	Use 189176 DD30
E5HT-8600-GA	917571	Fan Blade 28-8-3.51	
E5HT-8600-HA	917531	Fan Blade	
E5HT-8600-JA	917611	Fan Blade 28-6-2.67	
E5HT-8600-KA	917615	Fan Blade	Use 916827
E5HT-8600-LA	917614	Fan Blade 30-6-2.99	
E5HT-8600-MA	917818	Fan Blade	
E5HT-8A616-DA	17170-1	Fan Clutch 260 6.6LCrank Mt Replaced by 17192-1	
E5HT-8A616-GA	17192-1	Fan Clutch 260 F,B & N 6.6L Replaced by 17400-1	
E5HT-8A9616-FA	16907-3	Fan Clutch 240 Cargo	Use 17338-1
E5HZ-8600-B	917611	Fan Blade 28-6-2.67 2.00/3.50 006	
E5HZ-8600-C	917615	Fan Blade 28-2.96PW for DD-34	Use 916827
E5HZ-8A616-A	196568	DD26 Durodrive	Use 186116
E5HZ-8A616-B	196568	DD26 Durodrive	Use 186116
E5TA-8A616-SA	16273-2	Fan Clutch 660 6.9L Replaced by 16273-3	Use 169238 SD65
E5TZ-8A616-C	16273-2	Fan Clutch 260-Stamped E5TA-SA	Use 169238 SD65
E6HS-8600-AA	917836	Fan Blade	Use 916830
E6HS-8600-CA	4035-38164-14	Fan Blade 28X3.39 PWX5.00 Pilot	
E6HS-8600-DA	917940	Fan Blade 28" 2.56 pilot	
E6HS-8A616-AA	196302	DD34 Durodrive	Use 194182
E6HT-8600-BA	917852	Fan Blade 33-8-2.28	
E6HT-8600-CA	917854	Fan Blade 30-6-2.99	
E6HT-8600-DA	917853	Fan Blade 28-6-2.67	
E6HT-8A616-GA	189952	DD24 Durodrive	Use 169238 SD65
E6HZ-8600-D	917501	Fan Blade 26-8-2.395.00/6.00 W8	
E6HZ-8600-F	917852	Fan Blade 33-8-2.28 2.56/3.50 MMG	
E6HZ-8A616-A	16907-3	Fan Clutch 240-Stamped E5HT-FA	
E6HZ-8A616-B	16907-3	Fan Clutch 240-Stamped E5HT-EA	
E6HZ-8A616-D	198039	DD30 Durodrive	Use 197892
E6TA-8600-EA	917616	Fan Blade 18.50"	
E6TA-8600-FA	917618	Fan Blade 19.50"	
E6TA-8600-GA	917619	Fan Blade 22"	
E6TA-8A616-GA	189952	DD24 Durodrive	Use 169238 SD65
E6TZ-8A616-A	189952	DD24 Durodrive	Use 169238 SD65
E7AE-8600-CA	917841	Fan Blade 18.5-5-2.46 2.37/3.00 L5	
E7HS-8600-BA	4035-38164-07	Fan Blade 30-8-4.00 2.56/3.50	
E7HS-8A612-BA	196839	Mounting Assembly	Use 196979
E7HS-8A612-CA	196139	Mounting Assembly	Use 196389
E7HS-8A616-AA	194854	DD30 Durodrive	Use 197424
E7HT-8600-EA	917855	Fan Blade	
E7HT-8600-EB	917876	Fan Blade	
E7HT-8600-GA	917872	Fan Blade 22-7-2.00 3.25/3.81 CJ7	
E7HT-8A616-AB	16648-1	Fan Clutch 260 Stamped E7HT-AB	Replaced by 17399-1
E7HT-8A616-EA	194330	DD24 Durodrive	Use 197968 DD26
E7HT-8A616-GA	17241-1	Fan Clutch 260 F,B w/7.8L 235 & 225 HP Calif	Use 17241-2
E7HT-8A616-IA	196566	DD26 Durodrive	Use 197890



# Ford

OEM / MFG CROSS-REFERENCE

OEM NUMBER	BorgWarner PART NUMBER	DESCRIPTION	NOTES
E7HT-8A616-JA	15923-5	Fan Clutch 240 F,B w/Lima 8.2L	Use 17336-1
E7HT-8A616-KA	15750-6	Fan Clutch 240 F,B w/Lima 8.2L	Use 17334-1
E7HT-8A616-LA	196566	DD26 Durodrive	Use 197890
E7HT-8A616-MA	196567	DD26 Durodrive	Use 197891
E7HT-8A616-RA	16411-3	Fan Clutch 260 Replaced by 17398-1	Use 17398-1
E7HT-8A616-SA	196568	DD26 Durodrive	Use 186116
E7HT-8A616-TA	196569	DD30 Durodrive	Use 197892
E7HZ-8600-C	917872	Fan Blade 22-7-2.00 3.25/3.81 CJ7	
E7HZ-8600-E	917890	Fan Blade 25-6-2.91 5.00/6.00 006	
E7HZ-8A616-F	193389	DD26 Durodrive	Use 193862
E7JL-8600-AA	918002	Fan Blade 14.5-4-1.49 .62/2.00 DCI	
E7TA-8600-HB	917634	Fan Blade 18.50-5-2.18 2.62/3.25 L5 CCW	
E7TA-8600-RA	917929	Fan Blade 22-7-2.46 5.00/6.00 J7	
E7TA-8A616-GB	17045-2	Fan Clutch 205	
E7TZ-8600-B	917634	Fan Blade 18.50-5-2.18 2.62/3.25 L5 CCW	
E7TZ-8600-D	917929	Fan Blade 22-7-2.46 5.00/6.00 J7	
E8HS-8600-AA	4035-38585-07	Fan Blade 28X3.39PWX7.00 Pilot	
E8HS-8600-BA	4035-38617-03	Fan Blade 24-6-2.7PW	
E8HS-8600-CA	4035-38825-11	Fan Blade 28-6-2.83 2.56/3.50	
E8HS-8600-DA	4035-38617-24	Fan Blade 28-6-2.83 2.56/3.50	
E8HS-8600-EA	4035-38825-10	Fan Blade	
E8HS-8600-FA	4035-38617-23	Fan Blade 28-6-2.83 5.00/6.00	
E8HS-8A612-AA	1077-06997-02	Mounting Assembly	
E8HS-8A612-CA	1090-07050-03	Fan Clutch	
E8HS-8A616-BA	197754	DD34 Durodrive	
E8HS-8A616-CA	1090-07050-03	Fan Clutch Assembly (D8)	
E8HS-8A616-DA	1090-07050-04	Fan Clutch Ford	
E8HS-8A616-FA	197968	DD26 Durodrive	
E8HT-8600-DA	917932	Fan Blade 28" 5.00 pilot	
E8HT-8600-EA	917887	Fan Blade	
E8HT-8600-EB	917923	Fan Blade 24-6-2.89 5.00/6.00 M06	
E8HT-8600-FA	4035-38164-12	Fan Blade 28-8-4.00 2.56/3.50	
E8HT-8600-FB	4035-38164-76	Fan Blade 29" dia, 3.75 PW (C, CLT w L-10 eng)	
E8HT-8600-HA	4035-38164-76	Fan Blade 29" dia, 3.75 PW	
E8HT-8600-JA	4035-40518-01	Fan Blade 22-9-2.59 3.25/3.810	Use 4735-40518-04
E8HT-8600-KA	917900	Fan Blade	
E8HT-8600-LA	917947	Fan Blade	
E8HT-8600-MA	917945	Fan Blade 28-8-2.47 5.00/6.00 W8	Use 917275
E8HT-8600-NA	4035-38164-14	Fan Blade 28-8-4.00 5.00/6.00	
E8HT-8600-RA	4035-38164-77	Fan Blade 27-8-4.00 5.00/6.00	
E8HT-8600-SA	4035-38164-79	Fan Blade 27-8-4.00 2.56/3.50	
E8HT-8A612-AA	196500	Mounting Assembly	
E8HT-8A612-BA	196736	Mounting Assembly	
E8HT-8A612-CA	197129	Mounting Assembly	
E8HT-8A612-EB	197035	Mounting Assembly	
E8HT-8A616-AA	17142-1	Fan Clutch 560 E,F,B w/ AC 5.8L	Use 17142-2
E8HT-8A616-AB	17142-2	Fan Clutch 560 E,F,B w/ AC 5.8L	Use 17689-1
E8HT-8A616-EA	196501	DD34 Durodrive	Use 197889
E8HT-8A616-GA	17241-2	Fan Clutch 260 Ford F,B,L 7.8L	Use 17241-3
E8HT-8A616-GB	17241-2	Fan Clutch 260 F,B 7.9 L 235 & 225 HP Calif	Use 17241-3
E8HT-8A616-HA	1090-06060-02	Fan Clutch 4212S, L-10, ALL L SERIES	Use 1090-08000-01
E8HT-8A616-IA	197145	DD30 Durodrive	Use 197189
E8HT-8A616-LA	197145	DD30 Durodrive	Use 197189
E8HT-8A616-MA	197141	DD34 Durodrive	Use 197185
E8HT-8A616-NA	17585-1	Fan Clutch 280 LN-9000 3208	Use 17710-1

OEM NUMBER	BorgWarner PART NUMBER	DESCRIPTION	NOTES
E8HT-8A616-RA	17487-1	Fan Clutch 610 F,B 6.6/7.8 L 185 HP High Mount	Use 17487-2
E8HT-8A616-SA	198039	DD30 Durodrive	Use 197892
E8HT-8A616-TA	198038	DD30 Durodrive	Use 197189
E8HT-HA	—	Fan Clutch 91 Ford L-10 CL,CLT	
E8HZ-8600-A	917923	Fan Blade 246-2.89 5.00/6.00 J7	
E8HZ-8600-B	4035-38164-12	Fan Blade 28-8-4.00 2.56/3.50	
E8HZ-8600-C	4035-38164-76	Fan Blade 29-8-4.00 2.56/3.50	
E8HZ-8600-E	917947	Fan Blade 24-6-2.89 5.00/6.00 M06	
E8HZ-8600-F	917945	Fan Blade 28-8-2.47 5.00/6.00 W8	
E8HZ-8600-G	917978	Fan Blade 25-6-3.36 5.00/6.00 006	
E8HZ-8600-H	917900	Fan Blade 22-7-2.00 3.25/3.81 CJ7	
E8HZ-8600-J	4035-38164-79	Fan Blade 27-8-4.00 2.56/3.50	
E8HZ-8600-K	918090	Fan Blade 29-8-2.70	
E8HZ-8625-B	197129	Mounting Assembly	
E8HZ-8625-E	197035	Mounting Assembly	
E8HZ-8678-D	196500	Mounting Assembly	
E8HZ-8678-E	197035	Mounting Assembly	
E8HZ-8A616-A	17710-1	Fan Clutch 280, 3306&3176, All L Series	Use 188206 DD30
E8HZ-8A616-B	196501	DD34 Durodrive	Use 197889
E8HZ-8A616-C	17241-2	Fan Clutch 260 Ford F,B,L 7.8L	
E8HZ-8A616-D	17241-2	Fan Clutch 260 Stamped E8HT-8A616-GB	Replaced by 17241-3
E8HZ-8A616-F	197141	DD34 Durodrive	Use 197185
E8HZ-8A616-G	197137	DD26 Durodrive	
E8HZ-8A616-J	17487-1	Fan Clutch '89 F Series w/ 6.6 L	Use 17487-3
E8HZ-8A616-K	198038	DD30 Durodrive	Use 197189
E8HZ-8A616-L	198039	DD30 Durodrive	Use 197892
E8HZ-8A616-M	198038	DD30 Durodrive	Use 197189
E8TA-8A616-EA	17292-1	Fan Clutch 560 F w/7.5L w/o AC	Use 17659-1
E8TA-8A616-FA	17293-1	Fan Clutch 560 F w/7.5L w/o AC	Use 17660-1
E8TA-8A616-PA	16273-4	Fan Clutch 260 Ford F Series w/ 7.3	Use 169238 SD65
E8TZ-8A616-D	16373-3	Fan Clutch 260 Ford 88 F-E Series w/ 7.3L	Use 16273-4
E9HS-8600-A	4035-37494-69	Fan Blade	
E9HS-8600-BA	918073	Fan Blade 28-8-2.86	Use 917937
E9HS-8600-CA	4035-38825-74	Fan Blade 29-6-2.83 2.56/3.50	
E9HS-8A612-AA	198228	Mounting Assembly	Use 196979
E9HS-8A612-BA	1077-06877-02	Mounting Assembly	
E9HS-8A612-CA	196139	Mounting Assembly	Use 196389
E9HS-8A616-AA	15750-7	Fan Clutch 240	
E9HS-8A616-BA	198276	DD34 Durodrive	
E9HS-8A616-CA	1090-08000-02	Fan Clutch K22	
E9HS-8A645-AA	4038-35086-33	Spacer	
E9HT-8A612-BA	198066	Mounting Assembly	Use 197129
E9HT-8A612-CA	198030	Mounting Assembly	Use 197129
E9HT-8A612-DA	198067	Mounting Assembly	Use 197129
E9HT-8A612-EA	198031	Mounting Assembly	Use 197129
E9HT-8A612-FA	198068	Mounting Assembly	Use 197035
E9HT-8A612-GA	198032	Mounting Assembly	Use 197035
E9HT-8A616-AA	17593-1	Fan Clutch 610	
E9HT-8A616-BA	17334-1	Fan Clutch 610 F,B,LN w/ Lima Eng	
E9HT-8A616-CA	17335-1	Fan Clutch 610	
E9HT-8A616-DA	17698-1	Fan Clutch 610 F,B,L	
E9HT-8A616-EA	17241-3	Fan Clutch 260	Use 197968 DD-26
E9HT-8A616-FA	17740-2	Fan Clutch 610 F,B,L 6.6/7.8 L	
E9HZ-8600-A	4035-40518-01	Fan Blade 22-9-2.59 3.25/3.810	Use 4735-40518-04
E9HZ-8600-B	4035-38164-77	Fan Blade 27-8-4.00 5.00/6.00	

# Ford

OEM / MFG CROSS-REFERENCE

OEM NUMBER	BorgWarner PART NUMBER	DESCRIPTION	NOTES
E9HZ-8A616-A	17585-1	Fan Clutch 710	
E9HZ-8A616-B	198387	DD34 Durodrive	
E9HZ-8A616-D	17241-3	Fan Clutch 260	Use 197968 DD26
E9HZ-8A616-H	17241-3	Fan Clutch 260 Replaced by 17710-1	
E9TA-8A616-EA	17401-3	Fan Clutch 660 Replaced by 18114-1>18095-1	Use 169238 SD65
E9TA-8A616-FA	17652-1	Fan Clutch 560 F,B w/ AC 5.8L	Use 17615-3
E9TZ-8A616-A	17401-1	Fan Clutch 660 Replaced by 18095-1	Use 169238 SD65
E9TZ-8A616-G	17401-3	Fan Clutch 660 on 6.9 L. Replaced by 18095-1	Use 169238 SD65
EDE8HT-8A612-CA	197129	Mounting Assembly	
EDE8HT-8A612-RA	17487-2	Fan Clutch 610 F,B,L 6.6/7.8 L 165-170 HP	Use 17688-1
EOHT-8600-LA	916897	Fan Blade	Use 917381
EOHT-8600-MA	916915	Fan Blade	
F0HS-8A616-AA	198847	DD30 Durodrive	
F0HS-8A616-BA	198387	DD34 Durodrive	
F0HS-8A616-CA3	199076	DD34 Durodrive	
F0HS-8A616-DA	199076	DD34 Durodrive	
F0HT-8600-AA	4035-40518-03	Fan Blade 24-9-2.59 5.00/6.00	Use 4735-40518-05
F0HT-8600-BA	4035-38617-23	Fan Blade 28-6-2.83 5.00/6.00	
F0HT-8600-DA	4035-38617-24	Fan Blade 28-6-2.83 2.56/3.50	
F0HT-8A616-BA	17669-1	Fan Clutch 610	Use 17669-3
F0HT-8A616-CA	17710-1	Fan Clutch 690	
F0HT-8A616-EA	17669-2	Fan Clutch 610	Use 17669-3
F0HT-8A616-F	17497-1	Fan Clutch 610 93 Ford F,B 6.6L	
F0HT-8A616-G	17669-3	Fan Clutch 610	
F0HZ-8600-A	4735-35480-07	Fan Blade 28-6-2.83 5.00/6.00	Use 4035-38617-23
F0HZ-8600-B	4035-38617-24	Fan Blade 28-6-2.83 2.56/3.50	
F0HZ-8600-C	4035-40518-03	Fan Blade 24-9-2.59 5.00/6.00	Use 4735-40518-05
F0HZ-8600-D	4035-38825-11	Fan Blade 28-6-2.83 2.56/3.50	
F0HZ-8600-E	4035-38825-74	Fan Blade 29-6-2.83 2.56/3.50	
F0HZ-8A616-D	17710-1	Fan Clutch L9000 L10	
F0HZ-8A616-E	17669-2	Fan Clutch '90 F-700 w/ 429 gas	
F0HZ-8A616-F	17497-1	Fan Clutch Service replacement for E8HT-GB	Requires 4735-40518-05 Blade Replacement
F0HZ-8A616-G	17669-3	Fan Clutch Ford F-700 6.6L	
F0TA-8A616-CA	17615-4	Fan Clutch 560 F,Bw/ AC 5.8 L	
F0TA-8A616-EA	17659-1	Fan Clutch 560 F 7.5 L w/o AC	Use 17659-2
F0TA-8A616-FA	17660-2	Fan Clutch 560 F 7.5 L w/ AC	Use 17912-1
F1HS-8600-A	4035-38825-77	Fan Blade 29-6-2.83 5.00/6.00	
F1HS-8A612-AA	199575	Mounting Assembly	
F1HS-8A616-AA	199576	DD34 Durodrive	
F1HS-8A616-CA	187697	DD34 Durodrive	Use 187606
F1HS-8A617-AA	199794	Cooling Package (Fan & Drive) 199575 Mounting Assembly	199576 DD34, 918090 DCVIIc
F1HT-8600-KA	4035-41495-01	Fan Blade 28.5-9-3.00 2.56 pilot	
F1HT-8600-LA	4035-41497-01	Fan Blade 28.5-9-3.00 2.56 pilot	
F1HT-8600-MA	4035-41497-03	Fan Blade 28.5-9-3.00 5.00 pilot	
F1HT-8600-NA	4035-41498-01	Fan Blade 28.5-9-3.00 2.00 or 2.56 pilot	
F1HT-8600-RA	4035-40518-06	Fan Blade 24-9-2.59 3.25/3.810	
F1HT-8600-SA	4035-40518-04	Fan Blade 22-9-2.59 3.25/3.810	
F1HT-8600-TA	4735-40518-05	Fan Blade 24-9-2.59 5.00/6.00	
F1HT-8A616-AA	17804-2	Fan Clutch 660 6.6/7.9L Cargo 92	
F1HT-8A616-CA	17874-1	Fan Clutch 610 Cargo 6.6L 91	
F1HT-8A616-DA	17637-2	Fan Clutch 690 93 Ford CF 7.8L	
F1HT-8A616-EA	17908-1	Fan Clutch 610 93 Ford F,B 6.6L	Use 17908-2

OEM NUMBER	BorgWarner PART NUMBER	DESCRIPTION	NOTES
F1HZ-8600-D	4035-40518-05	Fan Blade 24-9-2.59 5.00/6.00	
F1HZ-8600-E	4035-40518-04	Fan Blade 22-9-2.59 3.25/3.810	
F1HZ-8600-F	4035-41498-01	Fan Blade 28.5-9-3.00 2.56/3.50	
F1HZ-8600-H	4035-41497-01	Fan Blade 28.5-9-3.00 2.56/3.50	
F1HZ-8600-J	4035-41497-03	Fan Blade 28.5-9-3.00 5.00/6.00	
F1HZ-8600-K	4035-41495-01	Fan Blade 28-5-9-3.00 2.56/3.50	
F1HZ-8600-L	4035-40518-06	Fan Blade 24-9-2.59 3.25/3.810	
F2HS-8600-AA	4035-41495-09	Fan Blade 24-9-3.00 2.56/3.50	
F2HS-8A616-BA	17993-1	Fan Clutch L-10 '93	
F2HT-8600-AA	4035-41393-29	Fan Blade 27-9-3.50 5.00/6.00	
F2HT-8600-BA	4035-41393-39	Fan Blade 25-9-3.50 5.00/6.00	
F2HT-8600-CA	4035-41392-29	Fan Blade 27-9-3.50 5.00/6.00	
F2HT-8A616-FA	17912-1	Fan Clutch 560 7.5L w/ AC	
F2HZ-8600-A	4035-41393-29	Fan Blade 27-9-3.50 5.00/6.00	
F2HZ-8600-B	4035-41393-39	Fan Blade 25-9-3.50 5.00/6.00	
F2HZ-8600-C	4035-41392-29	Fan Blade 27-9-3.50 5.00/6.00	
F2HZ-8A616-A	17637-1	Fan Clutch 690	
F2TA-8600-CA	918609	Fan Blade 22.10-3.14 PW	
F2TA-8600-CB	918637	Fan Blade 22"	
F2TA-8A616-AA	17672-1	Fan Clutch 660 7.3L E & F Models 91	
F2TA-8A616-EA	17911-1	Fan Clutch 560 F 7.5 L w/o AC	
F2TA-8A616-JA	17966-1	Fan Clutch 660 Replaced by 18095-1	
F2TZ-8600-A	918609	Fan Blade 22.10-7-3.014 5.00/6.00 J7	
F2TZ-8A616-C	17966-1	Fan Clutch 660 Replaced by 18095-1	
F2UA-8600-BB	918664	Fan Blade 18.5-7-2.23 2.375/3.00 C7 CCW	
F2UA-8A616-DA	17880-2	Fan Clutch 660 Econoline w/ 7.3	Use 18095-1
F2UZ-8600-A	918664	Fan Blade 18.5-7-2.23 2.375/3.00 C7 CCW	
F2UZ-8A616-F	17836-3	Fan Clutch 200SP	
F2UZ-8A616-H	17880-2	Fan Clutch 660 F-E Series 7.3L Female screw mt	Use 18095-1
F3HS-8600-BA	4035-41498-09	Fan Blade 24-9-3.00 2.56/3.50	
F3HS-8600-CA	4035-41498-10	Fan Blade 25-9-3.00 2.56/3.50	
F3HS-8A616-AA	18100-1	Fan Clutch 710 Ford 93 LN8000 Cum C Series	
F3HT-8600-CA	4035-41497-07	Fan Blade 26-9-3.00 5.00 pilot	
F3HT-8600-DA	4035-41497-08	Fan Blade 26-9-3.00 2.56 pilot	
F3HT-8600-EA	4035-41495-08	Fan Blade 26-9-3.00 2.56/3.50	
F3HT-8600-FA	4035-41498-08	Fan Blade 26-9-3.00 2.56/3.50	
F3HT-8A616-AA	17926-2	Fan Clutch 660 93 Ford F,B 5.9L 24-9-2.50	
F3HT-8A616-BA	17913-1	Fan Clutch 690	
F3HT-8A616-DA	1090-08000-01A	Fan Clutch B,F,L FD1460	
F3HZ-8600-A	4035-41497-07	Fan Blade 26-9-3.00 5.00/6.00	
F3HZ-8600-B	4035-41498-08	Fan Blade 26-9-3.00 2.56/3.50	
F3HZ-8600-DA	4035-41497-08	Fan Blade 26-9-3.00 2.56/3.50	
F3HZ-8A616-A	17926-2	Fan Clutch STAMPED F3HT-AA	
F3HZ-8A616-B	17913-1	Fan Clutch on 94 F800 w/ 6.6L Eng	
F3HZ-8A616-C	1090-08000-01	Fan Clutch K22 Ford	
F3TA-8A616-GA	18095-1	Fan Clutch 690 93 1/2 Ford F 7.3L	Use 169238 SD65
F3TA-8A616-HA	18114-1	Fan Clutch 660 7.3L	
F3TZ-8A616-B	18031-1	Fan Clutch 200	
F3TZ-8A616-C	18032-1	Fan Clutch 200	
F4HS-8600-AA	4035-41495-03	Fan Blade 28.5-9-3.00 5.00/6.00	
F4HS-8A627-DA	1093-08132-01	Fan Clutch & Mounting Assembly 96 3406E L9000	
F4HS-8A645-DA	4038-42925-01	Adapter Kit	
F4HT-8600-BA	4035-42113-61	Fan Blade 28.5-9-3.13 2.56/3.50	
F4HZ-8600-A	4035-41393-01	Fan Blade 30-9-3.50 2.56/3.50	
F4HZ-8600-B	4035-42112-01	Fan Blade 30-9-3.13 2.56/3.50	

# Ford

OEM NUMBER	BorgWarner PART NUMBER	DESCRIPTION	NOTES
F4HZ-8600-C	4035-42113-61	Fan Blade 28.5-9-3.13 2.56/3.50	
F4HZ-8600-D	4035-41498-11	Fan Blade 28.5-9-2.98 4.00/4.478	
F4HZ-8600-E	4035-41497-11	Fan Blade 28.5-9-2.98 4.00/4.478	
F4TA-8A616-HA	18095-2	Fan Clutch 690 Ford F series w/ 7.3L	
F4TZ-8600-A	918684	Fan Blade	
F4TZ-8600-B	918673	Fan Blade 23.23-7-2.32 5.00/6.00 J7 CCW	
F4TZ-8600-C	918770	Fan Blade	
F4TZ-8A616-B	18114-1	Fan Clutch 660 93.5 F Series 7.3L	
F4UA-8600-CB	918615	Fan Blade 18.50"	
F4UA-8600-CD	918684	Fan Blade	
F5HS-8600-AA	4035-42957-01	Fan Blade 28-5-9-2.99 2.56/3.50	
F5HS-8600-BA	4035-40518-07	Fan Blade 24-9-2.59 2.56/3.50	
F5HT-8600-AA	4035-41498-11	Fan Blade 28.5-9-2.98 4.00/4.478	
F5HT-8600-BA	4035-41497-11	Fan Blade 28.5-9-2.98 4.00/4.478	
F5HT-8K655-AA	4038-37641-01	Spacer	
F5HZ-8600-AA	4035-41498-11	Fan Blade 28.5-9-2.98 4.00/4.478	
F5HZ-8600-BA	4035-41497-11	Fan Blade 28.5-9-2.98 4.00/4.478	
F5HZ-8600-BAA	4035-40518-07	Fan Blade 24-9-2.59 2.56/3.50	
F5HZ-8K655-AA	4038-37641-01	Spacer	
F5TA-8600-HB	918673	Fan Blade 23.23-7-2.32 5.00/6.00 J7 CCW	
F5TA-8600-RA	918770	Fan Blade	
F5TA-8A616-KA	166314	SM65 Durodrive	Use 168559
F5TA-8A616-KB	168395	SM65 Durodrive	Use 168559
F5TA-8A616-NA	X199624	SM60 Durodrive	
F5TZ-8A616-KB	168395	SM65 Durodrive	
F5UA-8A616-MA	X167614	SM60 Durodrive	
F65A-8600-AB	918812	Fan Blade	
F67A-8600-GB	918755	Fan Blade	
F67A-8A616-NB	18349-1	Female Screw M30-1.5-6H 3.25 fan pilot	
F67Z-8600-GA	918755	Fan Blade	
F6HT-8600-AA	4735-41498-12	Fan Blade 96 Series 60 Aeromax	
F6HT-8600-FA	4035-41498-12	Fan Blade 26-9-2.97 4.00/4.478 96 3306 Aeromax	
F6HT-8A616-AA	18124-1	Fan Clutch 712 96 Sterling HN80 FD1460	
F6HT-8A616-CA	1090-08601-02	Fan Clutch DST	
F6HT-8A616-DA	1090-08601-03	Fan Clutch DST	
F6HT-8A616-EA	1090-08601-04	Fan Clutch DST	
F6HT-8A616-FA	1090-08601-05	Fan Clutch DST	
F6HT-8A616-GA	1090-08601-06	Fan Clutch DST	
F6HT-8A616-HA	18284-1	Fan Clutch 710 96 Sterling HN80 M11	
F6HT-8A627-AGB	1093-08134-01	Fan Clutch & Mounting Assembly	
F6HT-8A627-AHB	1093-08134-02	Fan Clutch & Mounting Assembly	
F6HT-8A627-AJA	1093-08118-02 or -01	Fan Clutch & Mounting Assembly	
F6HT-8A627-AJB	1093-08268-01	Fan Clutch & Mounting Assembly	
F6HT-8A627-AKA	1093-08118-01 or -02	Fan Clutch & Mounting Assembly	
F6HT-8A627-AKB	1093-08268-02	Fan Clutch & Mounting Assembly	
F6HT-8A627-ALB	1093-08116-01	Fan Clutch & Mounting Assembly 96 3406 Aeromax	
F6HT-8A627-ALC	1093-08266-01	Fan Clutch & Mounting Assembly	
F6HT-8A627-AMB	1093-08116-02	Fan Clutch & Mounting Assembly 96 3406 Aeromax	
F6HT-8A627-AMC	1093-08266-02	Fan Clutch & Mounting Assembly	
F6HT-8A627-ARC	1093-08122-01	Fan Clutch & Mounting Assembly 96 N14 Aeromax	
F6HT-8A627-ASC	1093-08122-02	Fan Clutch & Mounting Assembly 96 N14 Aeromax	
F6HT-8A627-AUC	1093-08114-01	Fan Clutch & Mounting Assembly	
F6HT-8A627-AVC	1093-08114-02	Fan Clutch & Mounting Assembly	

VEHICLE MODEL & YEAR	ENGINE MAKE & MODEL	HP	DRIVE SERIES	DRIVE ASSEMBLY P/N	DIA INS	FAN P/N	BLADES	NOTES
F6HT-8A627-AZA	1093-08164-01			Fan Clutch & Mounting Assembly				
F6HT-8A627-BAB	1093-08124-01			Fan Clutch & Mounting Assembly				
F6HT-8A627-BRA	1093-08134-03			Fan Clutch & Mounting Assembly				
F6HT-8A627-BSA	1093-08116-04			Fan Clutch & Mounting Assembly				
F6HT-8A627-BSB	1093-08266-04			Fan Clutch & Mounting Assembly				
F6HT-8C651-AA	4038-38806-01			Spacer				
F6HZ-8600-A	4035-41498-12			Fan Blade 26-9-2.98 4.00/4.478				
F6HZ-8A616-A	1090-08601-05			Fan Clutch DST				
F6HZ-8A616-AA	18124-1			Fan Clutch 712 Ford 96 Cum C series				
F6HZ-8A616-B	18284-1			Fan Clutch 710 Sterling 96 HN80 M11				
F6HZ-8A616-C	1090-08601-06			Fan Clutch DST				
F6HZ-8A616-D	1090-08601-03			Fan Clutch DST				
F6HZ-8A616-E	1090-08601-04			Fan Clutch DST				
F6HZ-8A627-A	1093-08164-01			Fan Clutch & Mounting Assembly				
F6HZ-8A627-AB	1093-08162-01			Fan Clutch & Mounting Assembly				
F6HZ-8A627-AC	1093-08266-02			Fan Clutch & Mounting Assembly				
F6HZ-8A627-ALB	1093-08116-01			Fan Clutch & Mounting Assembly				
F6HZ-8A627-AVC	1093-08114-02			Fan Clutch & Mounting Assembly				
F6HZ-8A627-B	1093-08124-01			Fan Clutch & Mounting Assembly				
F6HZ-8A627-BRA	1093-08134-03			Fan Clutch & Mounting Assembly				
F6HZ-8A627-BSA	1093-08116-04			Fan Clutch & Mounting Assembly				
F6HZ-8A627-C	1093-08134-01			Fan Clutch & Mounting Assembly				
F6HZ-8A627-D	1093-08134-02			Fan Clutch & Mounting Assembly				
F6HZ-8A627-E	1093-08268-01			Fan Clutch & Mounting Assembly				
F6HZ-8A627-F	1093-08268-02			Fan Clutch & Mounting Assembly				
F6HZ-8A627-H	1093-08116-02			Fan Clutch & Mounting Assembly				
F6HZ-8A627-J	1093-08122-01			Fan Clutch & Mounting Assembly				
F6HZ-8A627-K	1093-08122-02			Fan Clutch & Mounting Assembly				
F6HZ-8A627-L	1093-08114-01			Fan Clutch & Mounting Assembly				
F6HZ-8C651-A	4038-38806-01			Spacer				
F7HS-8A616-AA	18523-1			Fan Clutch 690 HN 8513 w/ 3126				
F7HS-8A627-CA	1093-09016-01			Fan Clutch & Mounting Assembly				
F7HT-8600-DA	4035-42957-08			Fan Blade				
F7HT-8600-EA	4735-43330-01			Fan Blade 28.5-9-2.85 2.56/3.50				
F7HT-8600-FA	4735-43331-03			Fan Blade 28.5-9-2.85 5.00/6.00				
F7HT-8600-GA	4035-43330-11			Fan Blade 28.5-9-2.85 2.56/3.50				
F7HT-8600-HA	4735-43331-01			Fan Blade 28.5-9-2.85 2.56/3.50				
F7HT-8600-JA	4735-43329-01			Fan Blade 28.5-9-2.85 2.56/3.50				
F7HT-8A616-BA	17926-3			Fan Clutch 660 Sterling F,B,L w/ C Series				
F7HT-8A616-CA	17913-2			Fan Clutch 96 Ford F800 Cum B Series 26" Fan				
F7HT-8A616-DA	17740-4			Fan Clutch 610				
F7HT-8A616-EA	18284-2			Fan Clutch 710				
F7HT-8A627-AB	1093-08162-01			Fan Clutch & Mounting Assembly				
F7HT-8A627-AC	1093-08222-01			Fan Clutch & Mounting Assembly 96 Series 60 Aeromax				
F7HT-8A627-EA	1093-08116-03			Fan Clutch & Mounting Assembly				
F7HT-8A627-JA	1093-08122-03			Fan Clutch & Mounting Assembly				
F7HT-8A627-LA	1093-08114-03			Fan Clutch & Mounting Assembly				
F7HT-8A627-LB	1093-08218-03			Fan Clutch & Mounting Assembly				
F7HT-8A627-TA	1093-08218-01			Fan Clutch & Mounting Assembly 96 Series 60 Aeromax				
F7HT-8A627-UA	1093-08218-02			Fan Clutch & Mounting Assembly 96 Series 60 Aeromax				
F7HZ-8600-DA	4035-42957-08			Fan Blade				
F7HZ-8600-EA	4735-43330-01			Fan Blade 28.5-9-2.85 2.56/3.50				

# Ford

OEM NUMBER	BorgWarner PART NUMBER	DESCRIPTION	NOTES
F7HZ-8600-FA	4735-43331-03	Fan Blade 28.5-9-2.85 5.00/6.00	
F7HZ-8600-GA	4735-43330-11	Fan Blade 28.5-9-2.85 4.00/4.478	
F7HZ-8600-HA	4735-43331-01	Fan Blade 28.5-9-2.85 2.56/3.50	
F7HZ-8600-JA	4735-43329-01	Fan Blade 28.5-9-2.85 2.56/3.50	
F7HZ-8A616-AA	1090-08601-02	Fan Clutch Visitronic	
F7HZ-8A616-B	17926-1	Fan Clutch STAMPED F3HT-AA	
F7HZ-8A616-EA	18284-1	Fan Clutch 710 96 Sterling HN80 M11	
F7HZ-8A627-CC	1093-09016-01	Fan Clutch & Mounting Assembly	
F7HZ-8A627-EA	1093-08116-03	Fan Clutch & Mounting Assembly	
F7HZ-8A627-JA	1093-08122-03	Fan Clutch & Mounting Assembly	
F7HZ-8A627-LA	1093-02114-03	Fan Clutch & Mounting Assembly	
F7HZ-8A627-LB	1093-08218-03	Fan Clutch & Mounting Assembly	
F7HZ-8A627-TA	1093-08218-01	Fan Clutch & Mounting Assembly	
F7HZ-8A627-UA	1093-08218-02	Fan Clutch & Mounting Assembly	
F7UA-8600-CA	918741	Fan Blade 19.37-4-2.77 2.62/3.25 L5 CCW	
F7UA-8600-GB	918850	Fan Blade	
F7UZ-8600-CA	918741	Fan Blade 19.37-4-2.77 2.62/3.25 L5 CCW	
F7UZ-8600-GA	918850	Fan Blade	
F81A-8600-LB	4035-43475-01	Fan Blade 20-8-2.95 2.62/3.25 CCW	
F81A-8600-MB	4035-43641-01	Fan Blade 23.25-9-2.85 2.62/3.25 CCW	
F81A-8600-ME	4035-43641-01	Fan Blade 23.25-9-2.85 2.62/3.25 CCW	
F81A-8A616-DA	18496-1	Fan Clutch 585 98 F Series 7.3L	
F81A-8A616-NA	18497-1	Fan Clutch 585 98 F250/450 7.3L	
F81Z-8600-LA	4035-43475-01	Fan Blade 20-8-2.95 2.62/3.25 CCW	
F81Z-8600-MA	4035-43454-01	Fan Blade	
F81Z-8A616-DA	18496-1	Fan Clutch 585 Ford 98 F250/450	
F81Z-8A616-MA	18495-1	Fan Clutch 585 Ford 98 F250 6.8L Female screw mt & 4 hole	fan mtg 1998-99
F87Z-8A616-DA	—	Fan Clutch 4 hole flange & 4 hole fan mtg 1998-99	
F8HS-8A627-AA	1093-09016-03	Fan Clutch & Mounting Assembly	
F8HT-8625-EA	1077-08133-01	Mounting Assembly	
F8HT-8625-FA	1077-08133-02	Mounting Assembly	
F8HT-8625-MA	1077-08221-01	Mounting Assembly	
F8HT-8625-RA	1077-08265-06	Mounting Assembly	
F8HT-8A616-FA	198039	DD30 Durodrive	Use 197892
F8HT-8A616-LA	198038	DD30 Durodrive	Use 197189
F8HT-8A627-DA	1093-08218-02A	Fan Clutch & Mounting Assembly	
F8HT-8A627-FA	1093-08222-01A	Fan Clutch & Mounting Assembly	
F8HT-8A627-PB	1093-08266-06	Fan Clutch & Mounting Assembly	
F8HT-8A627-TA	1033-05435-03	Kit service	
F8HZ-8600-AA	4035-42112-12	Fan Blade 31-9-3.13 2.56/3.50	
F8HZ-8625-CA	1077-08163-01	Mounting Assembly	
F8HZ-8625-DA	1077-08123-01	Mounting Assembly	
F8HZ-8625-EA	1077-08133-01	Mounting Assembly	
F8HZ-8625-FA	1077-08133-02	Mounting Assembly	
F8HZ-8625-GA	1077-08267-01	Mounting Assembly	
F8HZ-8625-HA	1077-08267-02	Mounting Assembly	
F8HZ-8625-JA	1077-08121-02	Mounting Assembly	
F8HZ-8625-KA	1077-08217-01	Mounting Assembly	
F8HZ-8625-LA	1077-08217-02	Mounting Assembly	
F8HZ-8625-MA	1077-08221-01	Mounting Assembly	
F8HZ-8625-NA	1077-08133-03	Mounting Assembly	
F8HZ-8625-PA	1077-08265-04	Mounting Assembly	
F8HZ-8625-RA	1077-08265-06	Mounting Assembly	
F8HZ-8A627-AA	1093-09016-03	Fan Clutch & Mounting Assembly	

OEM NUMBER	BorgWarner PART NUMBER	DESCRIPTION	NOTES
F8HZ-8A627-DA	1093-02815-02A	Fan Clutch & Mounting Assembly	
F8HZ-8A627-FA	1093-08222-01A	Fan Clutch & Mounting Assembly	
F8HZ-8A627-PA	1093-08266-06	Fan Clutch & Mounting Assembly	
F8HZ-8A627-TA	1033-05435-03	Kit Service	
F8HZ-8A627-UA	1090-08500-01	Fan Clutch	Obsolete - replace with 1090-09500-01
F8HZ-8A627-VA	1090-08500-02	Fan Clutch	Obsolete - replace with 1090-09500-02
F8HZ-8A627-XA	1090-08500-03	Fan Clutch	Obsolete - replace with 1090-09500-03
F8UA-8A616-AA	18589-2	Fan Clutch 585 98 Ford F Series 7.3L	
IC44-8600-AA	4735-43783-10	Fan Blade 26-9-3.65 5.00/6.00	
IC44-8A616-BA	19025-1	Fan Clutch 660	
IC44-8A616-CB	19026-2	Fan Clutch 690	
1C4Z-8A616-BA	19025-1	Fan Clutch 660	
P1F81A-8600-MD	4035-43464-01	Fan Blade 23.25-9-2.78 2.62/3.25 CCW	
XC35-8600-AB	4035-41045-52	Fan Blade 20-7-1.97	
XC35-8600-CA	4735-38449-124	Fan Blade	
XC45-8600-BA	4035-41498-07	Fan Blade 26-9-3.00 5.006.00	
XC45-8600-DA	4735-43217-03	Fan Blade 26-9-3.30	
XC45-8625-BB	1077-08079-04	Mounting Assembly	
XC45-8625-CA	1077-09015-03	Mounting Assembly	
XC45-8A616-AA	18645-1	Fan Clutch 660	
XC45-8A627-BB	1093-08080-04	Fan Clutch & Mounting Assembly	
XC45-8A627-BC	1093-08080-05	Fan Clutch & Mounting Assembly	
XC4Z-8625-BA	1077-08079-04	Mounting Assembly	
XC4Z-8625-CA	1077-09015-03	Mounting Assembly	
XC4Z-8A627-BA	1093-08080-04	Fan Clutch & Mounting Assembly	
YC35-8600-CA	4735-43480-29	Fan Blade 26-9-3.31	
<b>Freightliner</b>			
05-12225-000	16233-2	Fan Clutch 280	Use 189176
05-12225-000	17696-1	Fan Clutch 280	Use 189176
05-12880-000	17043-1	Fan Clutch 280RS	
380-200-08-26	17575-1	Fan Clutch 280	
680-200-01-23	4035-35480-21	Fan Blade 24-6-2.83 5.00/6.00	
680-200-01-26	17881-1	Fan Clutch 660 Medium Truck FL60 C Series	
680-200-02-23	4035-35480-31	Fan Blade 27.25-6-2.83 2.56/3.50	
680-200-02-26	17882-1	Fan Clutch 610 Medium Truck	
680-200-07-26	17548-1	Fan Clutch 660	
680-545-04-24	1002-07690-34	Alarmstat/M MB-NO -1T-1/2-210	Metri pak Black
680-545-05-24	1002-07700-33	Alarmstat/M MB-NO -1T-3/8-205	Metri pak Black
680-545-06-24	1002-07384-33	Alarmstat/M DS-NC/NC-2T-1/2-205	
680-545-07-24	1002-07690-32	Alarmstat/M MB-NO -1T-1/2-200	Metri pak Black
680-545-09-24	1002-07339-34	Alarmstat/M DS-NC/NC-2T-3/8-210	
680-545-10-24	1002-07384-35	Alarmstat/M DS-NC/NC-2T-1/2-215	
680-545-11-24	1002-07690-35	Alarmstat/M MB-NO -1T-1/2-215	Metri pak Black
680-545-12-24	1002-07690-33	Alarmstat/M MB-NO -1T-1/2-205	Metri pak Black
680-545-13-24	1002-07690-37	Alarmstat/M MB-NO -1T-1/2-225	Metri pak Black
680-545-14-24	1002-07690-39	Alarmstat/M MB-NO -1T-1/2-235	Metri pak Black
681-153-02-14	1002-07007-35	Alarmstat DS-NC/NC-3T-3/8-215	
681-153-06-14	1042-06819-09	Pressurestat - NO Sing Term	
681-153-09-14	1042-06819-05	Pressurestat - NO Sing Term	
681-153-11-14	1002-05768-32	Alarmstat MB-NC -1T-1/2-200	
681-153-13-14	5022-33990-01	Probe Assembly	
681-153-14-14	1002-07007-36	Alarmstat DS-NC/NC-3T-3/8-220	
681-153-15-14	1002-07005-35	Alarmstat MB-NC -1T-1/2-215	
681-200-00-23	4035-38825-01	Fan Blade 30-6-2.83 5.00/6.00	
681-200-01-23	4035-38825-09	Fan Blade 30-6-2.83 2.00/3.50	

OEM / MFG CROSS-REFERENCE



OEM NUMBER	BorgWarner PART NUMBER	DESCRIPTION	NOTES
681-200-01-25	1077-06925-03	Mounting Assembly	
681-200-01-77	1056-06899-01	Solenoid Valve	
681-200-02-23	4035-37494-19	Fan Blade 30.0-8-2.88 5" Pilot	
681-200-02-26	17038-1	Fan Clutch 400 NTC400	
681-200-03-23	4035-38825-05	Fan Blade 30-6-3.05 2.56/3.50	
681-200-04-23	4035-38585-02	Fan Blade 30-8-4.00 7.001/8.44	
681-200-05-23	4035-38164-07	Fan Blade 30-8-3.93 2.56/3.50	
681-200-05-26	1090-06060-02	Fan Clutch	Use 1090-08000-01
681-200-07-26	17257-1	Fan Clutch 280	Use 189176
681-200-08-26	17575-1	Fan Clutch 280	
681-205-02-06	4035-38164-09	Fan Blade 30-8-4.00 5.00/6.00	
681-206-03-15	4038-40538-01	Spacer	
681-505-00-01	1034-07119-01	Air Shutter Kit	
681-542-21-17	5028-01666-03	Temperature Sender	
681-545-05-24	5024-01282-01	Temperature-TRANSDUCER	
681-545-13-24	1002-07007-37	Alarmstat DS-NC/NC-3T-3/8-225	
681-545-17-24	1002-07475-32	Alarmstat/M MB-NC -1T-1/2-200	
681-545-18-24	1002-07475-35	Alarmstat/M MB-NC -1T-1/2-215	
681-545-19-24	1002-07475-36	Alarmstat/M MB-NC -1T-1/2-220	
681-545-20-24	1002-07469-36	Alarmstat/M DS-NC/NC-2T-1/2-220	
681-545-21-24	1002-07384-37	Alarmstat/M DS-NC/NC-2T-1/2-225	
681-545-22-24	5024-01475-03	Temperature TRANSDUCER	
681-545-23-24	1002-07475-33	Alarmstat/M MB-NC -1T-1/2-205	
681-545-25-24	1002-07007-33	Alarmstat DS-NC/NC-3T-3/8-205	
681-545-27-24	5028-02080-01	10K Temperature Sender	
681-545-28-24	5022-02151-01	Low Water Probe	
681-545-32-24	1002-07384-40	Alarmstat/M DS-NC/NC-2T-1/2-240	
681-545-34-24	1002-07384-38	Alarmstat/M DS-NC/NC-2T-1/2-230	
LM685-200-10-23	4735-42622-22	Fan Blade 28-9-3.50 2.00/3.50 CCW	
LM685-200-14-23	4735-35828-12	Fan Blade	
<b>GM</b>			
2026755	16030-2	Fan Clutch 710	
2028292	15763-2	Fan Clutch 710	
2040393	916722	Fan Blade 22-7-1.98	
2044536	15909-2	Fan Clutch 710	
2096930	16424-1	Fan Clutch 260	
12517624	17946-1	Fan Clutch 660-Stamped AY	
14032395	16261-1	Fan Clutch 220-Stamped AW	Use 17965-1
14050448	16356-2	Fan Clutch 220-Stamped DT	Use 17583-1
14061688	16487-2	Fan Clutch 220-Stamped ABC	Use 17965-1
14061689	16488-1	Fan Clutch 220-Stamped ACC	
15022302	18480-1	Fan Clutch 585-Stamped GCP	
15026756	4735-41393-34	Fan Blade 26-9-3.50	
15026757	4735-41393-111	Fan Blade 24.5-9-3.50	
15028400	18478-1	Fan Clutch 585	
15029405	18532-1	Fan Clutch 585-Stamped GDF	
15030120	18521-1	Fan Clutch 690-Stamped GDC	
15030174	18614-1	Fan Clutch 585-Stamped GDP	
15030175	18612-1	Fan Clutch 575-Stamped GDU	
15094861	4735-43480-03	Fan Blade 26-9-3.37	
15521338	917246	Fan Blade 23-7-2.40	
15603749	17461-1	Fan Clutch 560-Stamped HP C/K w/6.2L	Use 17956-1
15603750	17460-1	Fan Clutch 560-Stamped HR C/K w/6.2L	Use 17957-4
15631333	17614-1	Fan Clutch 560-Stamped AW	Use 17965-1
15671894	17956-1	Fan Clutch 575-Stamped GB 93 C/K w/6.2L	Use 17957-1

OEM NUMBER	BorgWarner PART NUMBER	DESCRIPTION	NOTES
15671895	17957-1	Fan Clutch 575-Stamped GC	
15671935	17922-1	Fan Clutch 660-Stamped ST	Use 18101-1
15677107	17964-1	Fan Clutch 575-Stamped SW	
15677108	17965-1	Fan Clutch 575-Stamped SX	
15679381	17898-1	Fan Clutch 280-Stamped SS	
15685941	18047-1	Fan Clutch 575-Stamped HB	
15715148	18297-1	Fan Clutch 710-Stamped GAX GM w/3116	
15718025	18299-1	Fan Clutch 710-Stamped GBF 95-96 GM w/ 3116	
15719196	918762	Fan Blade 20-6-3.05	
15956343	18086-1	Fan Clutch 660-Stamped HH	
15969543	18210-2	Fan Clutch 660-Stamped GAH	
15987280	18410-1	Fan Clutch 690-Stamped GBX 97 GM w/3116	
15987287	4035-42600-31	Fan Blade 26-10-2.90	
15990495	18192-1	Fan Clutch 660-Stamped GAB 94-95 GM w/3116	
15990496	18197-1	Fan Clutch 710-Stamped GAC	
15991381	18193-1	Fan Clutch 660-Stamped GAD GM w/ 3116	
15991496	18198-1	Fan Clutch 660-Stamped GAF	
15992650	918840	Fan Blade 20-9-2.57	
15992656	18384-1	Fan Clutch 585	
15995658	18420-1	Fan Clutch 710-Stamped GPL 97 GM w/ 3116	
15995659	18421-1	Fan Clutch 710-Stamped GPK 97 GM w/ 3116	
15995850	18422-1	Fan Clutch 660-Stamped GBA	
15995851	18423-1	Fan Clutch 660-Stamped GBB	
15152298A	18533-1	Fan Clutch 585-Stamped GDW	
TX126258A	18582-1	Fan Clutch 710 C700 w/ 3126 210 HP	
TX126259A	18580-1	Fan Clutch 710 C700 w/ 3126 300 HP	
TX126260A	18581-1	Fan Clutch 710 C700 w/ 3126 330 HP	
<b>International</b>			
0273455C92	12621-3	Fan Clutch 210 DV-462 Loadstar	
0310954C92	12621-4	Fan Clutch 1.25 thd screw Mt 4 bolt fan Mtd 3.25 BC	
0357670C92	12699-3	Fan Clutch 180SP	
0422661C91	915257	Fan Blade 22"-2.05 PW 2.00 Pilot/3.50 BC	Similar to 913681 but less Pw (913681 extra to rear)
0461259C1	15190-1	Fan Clutch 200	
0467148C1	4038-12460-01	Cable Stop	
0469654C1	15344-1	Fan Clutch 210	
0481777C3	15590-1	Fan Clutch 280	
0488330C1	15770-2	Fan Clutch 280-Stamped 488330C1	Use 196102
0488486C1	15783-1	Fan Clutch 260-Stamped 488486C1	
0489271C1	15904-3	Fan Clutch 240-Stamped II Replaced by 17499-1	Use 166302 SD60
0491332C1	15782-2	Fan Clutch 280-Stamped 491332C1	Use 197883 DD30
0492146C1	916612	Fan Blade 23-7-3.20	
0492147C1	916621	Fan Blade 22-7-3.20	
0494344C1	15829-3	Fan Clutch 240-Stamped IB Replaced by 17706-1	Use 166301 SD60
0500275C1	15906-2	Fan Clutch 280-Stamped 500275C1	Use 197887 DD30
0503192C91	15765-2	Fan Clutch 280-Stamped 503192C91	Use 188640 DD30
0503193C91	15808-2	Fan Clutch 280-Stamped 503193C91-Discontinued	Use 188640 DD30 plus 1.00 spacer
0503194C1	917627	Fan Blade 28-8-3.45	
0504526C1	184876	DD26 Durodrive	Use 187457
0504908C1	15940-2	Fan Clutch 280 Stamped 504908C1	
0504909C1	15938-2	Fan Clutch 280-Stamped HS C6 & C7 8.2L	Use 187242 DD26
0504910C1	15939-2	Fan Clutch 280-Stamped 504910C1	Use 187242 DD26
0507018C3	916797	Fan Blade 28-8-3.51 7 pilot	
0507271C2	187182	DD34 Durodrive	Use 188209
0529364C1	183797	DD32 Durodrive	Use 191472 & 916779

# International

OEM / MFG CROSS-REFERENCE

OEM NUMBER	BorgWarner PART NUMBER	DESCRIPTION	NOTES
0529390C1	916859	Fan Blade	
0531628C1	916713	Fan Blade 28-8-3.39	
0532588C1	916732	Fan Blade 27-8-3.21	
0532633C1	189035	DD34 Durodrive	Use 197869
0533222C1	15907-2	Fan Clutch 280 Stamped 533222C1	
0534319C1	15681-2	Fan Clutch 280-Stamped 534319C1	Use 188206 DD30
0534919C1	916808	Fan Blade 30-8-3.21	
0536712C1	15974-2	Fan Clutch 280 Stamped 536712C1	
0537481C1	186345	DD26 Durodrive	Use 187242
0539144C91	185644	DD26 Durodrive	Use 194098(1)
0539975C1	16059-1	Fan Clutch 200	
0540355C1	185938	DD32 Durodrive	Use 197894
0541280C1	4038-35086-01	Spacer	
0541281C91	1090-05262-01	Fan Clutch	Use 1090-08000-01
0541308C1	4038-35086-03	Spacer	
0542024C1	917012	Fan Blade 24-7-2.46	Use 916909
0542040C1	186474	DD26 Durodrive	
0543726C1	4038-35086-05	Spacer	
0544734C1	4035-35480-10	Fan Blade 28"-2.83 pw 2.56 pilot/3.50 BC	
0546891C91	188245	DD34 Durodrive	Use 188680
0547567C1	917112	Fan Blade 24-7-3.18	
0547734C1	4035-35480-10	Fan Blade 28-6-2.83 2.56/3.50	
0548071C1	188958	DD34 Durodrive	Use 187739
0548509C1	4035-35480-18	Fan Blade 28-6-2.83 2.00/3.50	
0548512C1	4038-35087-01	Spacer	
0548754C1	4035-35480-31	Fan Blade 27.25-6-2.83 2.56/3.50	
0556604C91	16700-1	Fan Clutch 280 Stamped 556604C91	
0557146C91	16707-1	Fan Clutch 280 Stamped 557146C1	Use 188640 DD30
0579088C1	16064-1	Fan Clutch 240 Stamped IJ	
0583477C1	187058	DD26 Durodrive	
0583478C1	16144-1	Fan Clutch 280 Stamped 583478C1 S Series	
0583529C1	916981	Fan Blade	Use 917381
0583790C1	4038-07722-01	Spacer	
0587536C1	16065-1	Fan Clutch 240 Stamped IK	
0587655C1	16152-1	Fan Clutch 260 Navi- Stamped IM	Use 187242 DD26
0587656C1	16263-1	Fan Clutch 260 Stamped IN Replcd by 18044-1	Use 187242 DD26
0587931C91	16449-2	Fan Clutch 280 Navi-Stamped 587931-C91	Use 197873 DD30
0592636C91	16466-2	Fan Clutch 280 Navi-Stamped 592636-C91	Use 197873 DD30
0615239C91	913326	Fan Blade 22-6-2.98	
0625894C1	914337	Fan Blade 30-6-1.61	Obsolete
0796579C1	189033	DD34 Durodrive	Use 196407
0899550C1	916112	Fan Blade 006 6 blade 28-6-2.13 /2.188 pilot 3.50 bc	Obsolete Not Available
0993241C9	916470	Fan Blade Rubber Mtd - NOT AVAILABLE	
0995925C1	4035-38617-01	Fan Blade 22-6-2.83 3.25/3.810	
0996120C92	15991-4	Fan Clutch 240-Stamped IH	
0996121C92	15959-5	Fan Clutch 240-Stamped IG Replaced by 17449-1	
0996121C93	17530-1	Fan Clutch 240 Stamped NA	Use 17449-1
0998202C91	4035-35827-16	Fan Blade	
0999048C1	4035-35827-12	Fan Blade	
0999643C91	16593-1	Fan Clutch 240-Stamped IQ	Use 17449-1
0999882C1	4035-35480-65	Fan Blade 22-6-2.83 3.25/3.810	
0999884C91	16806-1	Fan Clutch 240-Stamped IR	Use 17452-1
0999924C92	16800-1	Fan Clutch 240-Stamped IS	Use 17451-1
0999925C1	4035-38617-04	Fan Blade 22-6-2.83 3.25/3.810	

OEM NUMBER	BorgWarner PART NUMBER	DESCRIPTION	NOTES
1160154C1	183802	DD26 Durodrive	Use 185009
1515566C1	4035-38164-01	Fan Blade 32"-4.00 pw 3.50 BC/2.00 pilot	
1606005C92	189812	DD26 Durodrive	Use 193742
1606538C1	16661-1	Fan Clutch 280 Stamped 1606538C1	
1606826C1	4035-35480-07	Fan Blade 28-6-2.83 5.00/6.00	
1606834C1	4038-35148-01	Spacer	
1606940C1	4035-35480-06	Fan Blade 30-6-2.83 2.00/3.50	
1606947C1	4038-37101-05	Spacer	
1606948C1	4035-35480-32	Fan Blade 24"-2.93 pw 2.00 pilot/3.50 BC	
1606949C1	1090-05703-01	Fan Clutch	
1607003C91	188607	DD30 Durodrive	Use 188640
1607685C1	4038-35806-06	Spacer or 4038-42430-01	
1607711C1	4735-43439-05	Fan Blade 30X3.00PWX7.00 Pilot	Replaced 4035-37494-05
1607967C1	4035-35480-05	Fan Blade 30-6-2.83 2.56/3.50	
1608346C1	4035-37494-03	Fan Blade 30-8-3.01 7.00/8.44	
1608519C1	4035-37494-04	Fan Blade 30-8-3.01 2.00/3.50/3.875	
1608964C1	4035-37494-08	Fan Blade 30-8-3.01 2.56/3.50	
1609302C1	4035-37494-31	Fan Blade 24-8-3.01 5.00/6.00	
1609543C1	4035-35480-28	Fan Blade 28"-2.83 pw 2.053pilot/DBL BC	
1609630C1	4035-35480-01	Fan Blade 32-6-2.83 2.56/3.50	
1609869C91	1090-06060-02	Fan Clutch	Use 1090-08000-01
1609873C2	4035-38164-12	Fan Blade 28 dia-3.4 pw-2.56 pilot	
1609989C91	192797	DD24 Durodrive	Use 187242 DD26
1610767C1	4035-35480-15	Fan Blade 24"-2.83 pw 2.56 pilot/3.50 BC	
1610768C1	4035-35827-04	Fan Blade	
1610891C1	4035-38164-48	Fan Blade 28"-4.00pw 3.50 bc/2.00 pilot	
1610891C2	4035-38164-11	Fan Blade 28 dia- 3.4 pw-2 pilot DBL BC	
1611064C1	4035-38164-14	Fan Blade 28X3.39 PWX5.00 Pilot	
1611363C1	4035-37494-02	Fan Blade 32-8-3.00 2.00/3.50/3.875	
1611610C1	4035-38585-07	Fan Blade 28X3.39PWX7.00 Pilot	
1611733C1	4038-35086-17	Spacer	
1611749C1	4035-42904-07	Fan Blade 32-8-3.00 2.56/3.50	
1611844C1	4038-35086-22	Spacer	
1611853C1	4035-38164-09	Fan Blade 30 dia 3.4 pw-5 pilot	
1611890C2	4035-38164-07	Fan Blade 30 dia- 3.4 pw-2.56 pilot	
1611912C1	4035-38164-50	Fan Blade 30 dia- 3.69 pw-2 pilot	
1611917C1	4038-35086-08	Spacer	
1612269C1	194767	DD34 Durodrive	Use 197050
1612270C1	917808	Fan Blade 28"	Use 916797
1613085C91	194974	DD30 Durodrive	Use 196350
1613144C1	4038-35086-09	Spacer	
1613145C1	4038-35086-29	Spacer	
1613253C1	4038-35086-10	Spacer	
1613432C91	196225	DD22 Durodrive	
1614085C1	917870	Fan Blade 23-6-2.64 3.25/3.81 M06	
1614086C1	166302	SD60 Durodrive	Use 166302 SD60
1614087C1	166303	SD60 Durodrive	Use 166303 SD60
1614232C1	4038-38665-01	Spacer	
1614233C1	4038-38798-01	Spacer	
1614237C1	4035-38449-05	Fan Blade Nav 8000 DT466,7.3 L,9.0 L	
1614238C1	4035-35480-19	Fan Blade Nav 8000 DT466,7.3L,9.0L	
1614364C1	4035-38164-40	Fan Blade 23-8-4.00 2.56/3.50	
1614914C1	166301	SD60 Durodrive	Use 166301 SD60
1616224C1	4735-42904-09	Fan Blade 28-8-3.00 2.56/3.50	Replaced 4035-37494-09
1616225C1	4038-37101-08	Spacer	

# International

OEM NUMBER	BorgWarner PART NUMBER	DESCRIPTION	NOTES
1616266C1	197211	DD22 Durodrive	Use 187242 & 916612 Fan
1616283C1	4038-40538-01	Spacer	
1616304C1	4038-35086-28	Spacer	
1616579C91	1093-07577-01	Fan Clutch & Mounting Assembly	
1616955C1	1090-07050-01	Fan Clutch	
1617899C91	1090-08000-01	Fan Clutch Navi 8000 DT466, 7.3L, 9.0L	
1617976C91	1093-07466-01	Fan Clutch & Mounting Assembly	
1617977C91	1093-07468-01	Fan Clutch & Mounting Assembly	
1617978C91	1093-07463-01	Fan Clutch & Mounting Assembly	
1617979C91	1093-07467-01	Fan Clutch & Mounting Assembly	
1619497C1	198249	DD34 Durodrive	Use 199412
1619544C1	4035-38164-47	Fan Blade 26-8-4.00 2.56/3.50	
1619711C1	4038-35086-11	Spacer	
1620103C1	4035-42904-18	Fan Blade 26-8-3.00 2.56/3.50	
1620104C1	4735-42904-36	Fan Blade 23-8-3.00 2.56/3.50	Replaced 4035-37494-36
1622571C1	4735-41392-22	Fan Blade 28-9-3.50 2.00/3.50	
1646339X91	16903-1	Fan Clutch 400	
1647411C3	918901	Fan Blade 26" 7 blde 2.83 pw 5.00 pilot	
1650477C1	917809	Fan Blade 23-7-3.23	
1651724C1	17195-1	Fan Clutch 280 Navi DT466 S Series	Use 194986 DD26
1652591C1	194986	DD26 Durodrive	Use 197879
1654584C1	194038	DD30 Durodrive	Use 197873
1654585C1	196101	DD30 Durodrive	Use 197882
1654586C1	196102	DD30 Durodrive	
1654587C1	196103	DD30 Durodrive	Use 197883
1654588C1	196224	DD30 Durodrive	Use 197887
1654589C1	196291	DD30 Durodrive	Use 197888
1656773C91	196932	DD30 Durodrive	Use 188206
1656775C1	917911	Fan Blade 30-8-2.91	Use 917389
1657078C91	196704	DD34 Durodrive	Use 197894
1657158C1	917896	Fan Blade 23"	
1657424C91	196135	DD30 Durodrive	Use 197885
1657425C91	196133	DD34 Durodrive	Use 197884
1658086C1	917905	Fan blade 22-7-2.46	Use 916790
1658087C1	196856	DD24 Durodrive	Use 167222 DD26 & 918031 Blade
1659016C1	917917	Fan Blade	
1659712C1	17482-1	Fan Clutch 610 Stamped 1659712C1	Use 187242 & 916612 Fan
1659713C1	17483-1	Fan Clutch 610/240 Stamped 1659713C1	Use 166303 SD60
1659949C1	196181	DD26 Durodrive	Use 197886
1660907C91	197092	DD24 Durodrive	Use 197879 DD26
1665310C1	17449-1	Fan Clutch 610	
1665603C91	1077-05826-02	Mounting Assembly	
1666056C91	197778	DD34 Durodrive	Use 197805
1666262C1	4035-38585-02	Fan Blade 30X3.65PWX7.00 Pilot	
1666955C1	199882	DD22 Durodrive	Use 167119
1668811C1	198065	DD24 Durodrive	Use 167222 DD26
1668812C1	918031	Fan Blade 22-6-3.72	
1670050C1	4735-42904-19	Fan Blade 30-8-3.00 5.00/6.00	Replaced 4035-37494-19
1672963C1	199833	DD22 Durodrive	Use 166305
1673889C1	198859	DD34 Durodrive	
1677025C1	4038-37101-01	Adapter, Fan	
1677205C1	4038-37101-07	Spacer	
1678082C1	198412	SD60 Durodrive	
1681030C91	1033-05435-02	Repair Kit	
1685882C1	4038-35086-07	Spacer	

OEM NUMBER	BorgWarner PART NUMBER	DESCRIPTION	NOTES
1689477C1	199806	DD22 Durodrive	Use 167124
1689478C1	199808	DD22 Durodrive	Use 167124
1689479C1	199807	DD26 Durodrive	Use 169366
1689480C1	199811	DD26 Durodrive	
1689481C1	199810	DD26 Durodrive	Use 167118
1689482C1	199812	DD26 Durodrive	Use 167122
1689936C1	199809	DD26 Durodrive	Use 167120
1690060C1	199880	DD30 Durodrive	
1693176C91	166399	Fan & Drive Assembly DD22	Use 166398
1695793C91	1033-07781-01	Kit Service	
1695794C1	1033-05435-03	Repair Kit	
1696089C1	1056-08087-01	Solenoid	
1696090C91	1033-07782-01	Kit Service	
1696302C1	167222	DD26 Durodrive	
1696555C91	17448-1	Fan Clutch 610 S Series w/ 7.3	
1699942C91	1077-07911-01	Mounting Assembly L10/M11	
2000729C2	4735-41393-16	Fan Blade 30-9-3.50 5.00/6.00	
2001023C1	166054	DD26 Durodrive	
2002598C1	4735-41392-32	Fan Blade 26-9-3.50 2.56/3.50	
2004142C91	18122-1	Fan Clutch 800 Stamped 2004142C91	
2004743C1	4735-41393-24	Fan Blade 28-9-3.50 5.00/6.00	
2004796C1	4035-41393-05	Fan Blade 28-9-3.50 2.56/3.50	
2004860C1	166283	DD26 Durodrive	
2005257C1	166223	DD30 Durodrive	
2005452C1	4035-41393-01	Fan Blade 30-9-3.50 2.56/3.50	
2005894C1	918642	Fan Blade 26"	
2009350C1	166686	SD60 Durodrive	
2009769C1	166499	DD34 Durodrive	
20105010X1	X166848	SD60 Durodrive	
2010884C1	4735-41393-02	Fan Blade 30-9-3.50 2.00/3.50	
2012329C1	4735-41392-47	Fan Blade 23-9-3.50 2.56/3.50	
2014041C1	166306	SD60 Durodrive	Use 167119
2014041C2	166306	SD60 Durodrive	Use 167119
2014042C1	166305	SD60 Durodrive	
2014043C1	166304	SD60 Durodrive	Use 167124
2018340C1	4735-41392-24	Fan Blade 28-9-3.50 5.00/6.00	
2021376C1	167046	DD30 Durodrive	
2021954C1	167047	DD30 Durodrive	Use 169683
2022048C91	4035-41392-01	Fan Blade 30-9-3.50 2.56/3.50	
2022293C91	1093-07900-01	Fan Clutch & Mounting Assembly N14	
2022294C91	1093-07906-01	Fan Clutch & Mounting Assembly	
2022401C1	4735-41392-16	Fan Blade 30-9-3.50 5.00/6.00	
2022685C1	166881	DD26 Durodrive	
2022686C1	167071	DD30 Durodrive	
2022687C1	918693	Fan Blade 24-7-3.17 5.00/6.00 J7 CCW	
2022688C1	918694	Fan Blade 24-7-2.46 5.00 pilot	
2024111C1	4038-35087-05	Spacer, Fan	
2024824C91	1093-07957-01	Fan Clutch & Mounting Assembly	
2024824C92	1093-07957-02	Fan Clutch & Mounting Assembly	
2024828C91	1093-07957-01	Fan Clutch & Mounting Assembly Series 60	
2024828C92	1093-07957-02	Fan Clutch & Mounting Assembly Series 60	
2025721C91	1093-07771-06	Fan Clutch & Mounting Assembly Nav 8100 3176	
2025722C91	1093-08040-01	Fan Clutch & Mounting Assembly L10/M11	
2025898C91	1093-07906-02	Fan Clutch & Mounting Assembly Series 60	
2027494C1	167332	DD26 Durodrive	

# International

OEM / MFG CROSS-REFERENCE

OEM NUMBER	BorgWarner PART NUMBER	DESCRIPTION	NOTES
2027495C1	167341	DD26 Durodrive	
2029206C1	167524	DD30 Durodrive	
2029987C91	1093-07912-01	Fan Clutch & Mounting Assembly L10/M11	
2031589C91	1093-08036-01	Fan Clutch & Mounting Assembly N-14	
2033827C1	167421	DD26 Durodrive	
2034131C91	1093-08032-01	Fan Clutch & Mounting Assembly 3406	
2034213C91	167733	Duroclutch for series 60 in Navistar	Use 1093-07957-01
2035004C91	1093-08258-01	Fan Clutch & Mounting Assembly 3406	
2036480C1	918747	Fan Blade 24-7-3.17 PW 5.00 pilot	
2036481C91	167852	ED30 Drive	
2038840C1	167981	SD60 Durodrive	
2039347C1	4735-41392-05	Fan Blade 28-9-3.50 2.56/3.50	
2041011C91	1093-08235-01	Fan Clutch & Mounting Assembly Nav 9800 M11	
2500436C91	1033-08250-01	Lining Kit K22	
2500654C91	1077-08039-01	Mounting Assembly L10	
2500663C91	1077-08234-01	Mounting Assembly M11	
2500676C1	4011-42265-01	Mounting Assembly Base Bracket	
2500679C1	4077-42277-02	Pulley Assembly	
2500687C91	1077-08031-01	Mounting Assembly 3406	
2500878C1	4011-42670-01	Mounting Assembly Base Bracket	
2500879C91	1077-07929-05	Mounting Assembly	
2501016C91	1077-07735-01	Mounting Assembly Series 60	
2501017C91	1077-07738-02	Mounting Assembly L10/M11	
2501018C91	1077-07770-06	Mounting Assembly 3176	
2501019C91	1077-07905-01	Mounting Assembly Series 60	
2501020C91	1077-07905-02	Mounting Assembly Series 60	
2501021C91	1077-07899-01	Mounting Assembly N-14	
2501022C91	1090-08500-01	Fan Clutch K22RA	Obsolete - replace with 1090-09500-01
2501023C91	1033-08233-01	Cylinder/Seal Kit	
2501125C91	1077-07956-01	Mounting Assembly Series 60	
2501126C91	1077-07956-02	Mounting Assembly Series 60	
2501127C91	1077-08035-01	Mounting Assembly N-14	
2501128C91	1077-08231-01	Mounting Assembly N-14	
2501129C91	1077-08257-01	Mounting Assembly 3406	
2501130C91	1077-09017-01	Mounting Assembly N-14	
2501200C91	168988	ED Drive Solenoid Repl Kit	
2503741C1	4735-35480-65	Fan Blade 23-6-2.83 3.25/3.810	
2503969C91	1090-08500-01B	Fan Clutch-K22RA	Obsolete - replace with 1090-09500-01B
2503970C91	1077-07956-03	Mounting Assembly	
2508010C91	1077-08234-02	Mounting Assy	
2587244C91	010019574	Mounting Assy	
2587245C91	010019631	Mounting Assy	
2587334C91	010020377	Mounting Assy	
2587815C1	010020552	Fan Clutch 750	
2991019C1	18313-1	Fan Clutch 660	
2995331C1	4035-35828-14	Fan Blade CCW 26" dia /7 blade /2.00 pilot/3.50 BC	
2997433C1	189176	DD30 Durodrive	
3501273C91	1093-08232-01	Fan Clutch & Mounting Assembly N-14	
3505848C1	4735-41392-09	Fan Blade 32-9-3.50 5.00/6.00	
3507212C1	4735-41393-08	Fan Blade 32-9-3.50 2.56/3.50	
3507485C1	4735-41393-13	Fan Blade 31-9-3.50 5.00/6.00	
3507486C1	4735-41393-12	Fan Blade 31-9-3.50 2.56/3.50	
3510192C91	1093-07906-02A	Fan Clutch & Mounting Assembly Series 60	
3512260C1	918889	Fan Blade	

OEM NUMBER	BorgWarner PART NUMBER	DESCRIPTION	NOTES
3513714C91	1093-09018-01	Fan Clutch & Mounting Assembly N-14	
3514275C1	169380	ED26 Drive	—
3516397C1	918900	Fan Blade 28-8-3.04 CW 5.00 pilot/6.00 BC	
3516398C1	169422	ED30 Drive	Service w/ 020003468
3520182C1	4735-41392-08	Fan Blade 32-9-3.50 2.56/3.50	
3522786C2	1210-09155-01	Fan Clutch SA75	
3522786C3	10020914	Fan Clutch SA75	
3522788C2	1210-09157-01	Fan Clutch SA75	
3522788C3	010020755	Fan Clutch SA75	
3528747C91	1093-09112-01	Fan Clutch & Mounting Assembly	
3532243C91	1093-08235-02	Fan Clutch & Mounting Assembly	
3532245C91	1093-08040-02	Fan Clutch & Mounting Assembly	
3533032C3	1210-09167-03	Fan Clutch SA75 Screw Mt w/ 4735-41134-24 Fan	
3534856C91	1093-07957-03	Fan Clutch & Mounting Assembly	
3534857C91	1093-07906-03	Fan Clutch & Mounting Assembly	
3534870C91	1093-08032-02	Fan Clutch & Mounting Assembly	
3534871C91	1093-08258-02	Fan Clutch & Mounting Assembly	
3534871C92	1093-08258-03	Fan Clutch & Mounting Assembly	
3539701C1	4735-43783-09	Fan Blade 24-9-3.65 5.00/6.00	
3540116C2	1210-09168-03	Fan Clutch SA85	
3540983C1	1210-09156-02	Fan Clutch SA65	
3540983C3	010020791	Fan Clutch 750	
3540984C1	1210-09157-02	Fan Clutch SA75	
3540985C2	1210-09157-03	Fan Clutch SA75	
3541257C1	4735-43783-05	Fan Blade 28-9-3.65 5.00/6.00	
3544849C91	1093-09173-01	Fan Clutch & Mounting Assembly	
3546535C1	4735-43783-07	Fan Blade 26-9-3.65 5.00/6.00	
3547774C1	4735-43787-01	Fan Blade 24-9-3.65 5.00/6.00 CCW	
3547775C2	1210-09157-05	Fan Clutch 750	
3547775C3	010020509	Fan Clutch 750	
3548231C1	4735-43782-06	Fan Blade 23-9-3.65 2.56/3.50	
3548286C1	4735-43783-14	Fan Blade 23-9-3.65 5.00/6.00	
3548584C1	4735-43783-12	Fan Blade 25-9-3.65 5.00/6.00	
3548746C1	4735-43783-06	Fan Blade 28-9-3.65 2.56/3.50	
3549846C1	4735-43783-06	Fan Blade 28-9-3.65 2.56/3.50	
3549881C1	4735-43217-29	Fan Blade 24-9-3.30 5.00/6.00	
3551023C91	1093-07930-05	Fan Clutch & Mounting Assembly	
3551262C1	4735-43787-02	Fan Blade 23.24-9-3.65 5.00/6.00	
3551363C1	4735-43782-05	Fan Blade 26-9-3.65 2.56/3.50	
3551615C91	1093-07957-04	Fan Clutch & Mounting Assembly	
3551616C91	1093-07906-04	Fan Clutch & Mounting Assembly	
3552595C1	1210-09168-05	Fan Clutch SA85	
3552595C3	1210-09168-05	Fan Clutch SA85(Calib Chg)	
3554682C1	4735-41134-24	Fan Blade 28"	
3558009C1	4735-43782-09	Fan Blade 24-9-3.65 5.00/6.00	
3561079C1	4735-43782-08	Fan Blade	
3565623C1	4735-41134-39	Fan Blade 25-8-3.14 5.001/6.00	
3576854C1	4735-43782-17	Fan Blade 26-9-3.65 5.00/6.00	
3588825C1	010019754	Fan Blade 25-9-3.65	
3588999C1	010019804	Fan Blade 28-9-3.54 2.56/3.50	
3560790C92	1293-09242-01	Fan Clutch & Mtg Assy	
3566453C1	1093-07906-04	Fan Clutch & Mtg Assy	
3571961C92	1293-09274-01	Fan Clutch & Mtg Assy	
3571963C92	1293-09272-01	Fan Clutch & Mtg Assy	
3571966C92	1293-09280-01	Fan Clutch & Mtg Assy	



# International | Mack

OEM / MFG CROSS-REFERENCE

OEM NUMBER	BorgWarner PART NUMBER	DESCRIPTION	NOTES
3571967C92	1293-09278-01	Fan Clutch & Mtg Assy	
3571983C92	1293-09284-01	Fan Clutch & Mtg Assy	
3572986C92	1293-09292-01	Fan Clutch & Mtg Assy	
3574226C92	1293-09293-01	Fan Clutch & Mtg Assy	
3577908C91	1293-09324-01	Fan Clutch & Mtg Assy	
3577910C91	1293-09321-01	Fan Clutch & Mtg Assy	
3577995C91	1293-09320-01	Fan Clutch & Mtg Assy	
3578771C91	010019573	Fan Clutch & Mtg Assy	
3578773C91	010019630	Fan Clutch & Mtg Assy	
3578990C91	1293-09127-04	Fan Clutch & Mtg Assy	
3578990C92	010020173	Fan Clutch & Mtg Assy	
3578992C91	1293-09119-05	Fan Clutch & Mtg Assy	
3578992C92	1293-09374-01	Fan Clutch & Mtg Assy	
3578994C91	1293-09123-05	Fan Clutch & Mtg Assy	
3578994C92	1293-09370-02	Fan Clutch & Mtg Assy	
3578996C91	1293-09334-01	Fan Clutch & Mtg Assy	
3578996C92	1293-09370-01	Fan Clutch & Mtg Assy	
3583590C1	010020520	Fan Blade (4735-43641-02) 22-9-2.62	
3583622C1	4735-43368-03	Fan Blade 26-9-3.30 CCW	
3584438C1	010019556	Fan Clutch 805	
3588739C1	010019721	Fan Clutch 790	
3588825C1	010019754	Fan Blade 25-9-3.65	
3588999C1	010019804	Fan Blade 28-9-3.65 2.56/3.50	
3589802C1	020003074	Fan Clutch 712	
3592792C91	010020376	Fan Clutch & Mtg Assy	
3583590C1	010020520	Fan Blade (4735-43641-02) 22-9-2.62	
3593643C91	010020416	Fan Clutch & Mtg Assy	
3593881C1	010020423	Fan Blade 28-9-3.65	
3594738C1	4735-42623-09	Fan Blade 32-9-3.60 CCW	
3604368C1	020003468	Fan Clutch 712	
<b>Mack</b>			
1MH235AD1	189036	DD34 Durodrive	Use 196455
1MH235AP1	180632	DD32 Durodrive	Use 191398
1MH235AP2	182978	DD32 Durodrive	Use 191398-N/A
1MH235AP2	189038	DD34 Durodrive	Use 196456
1MH29305BP2	197705	DD34 Durodrive	Use 187604
1MH29305P1	184415	DD32 Durodrive	Use 168607
1MH29305P1	189040	DD34 Durodrive	Use 188121
1MH29305P2	184439	DD32 Durodrive	Use 187604
1MH29305P2	188126	DD34 Durodrive	Use 187604
1MH29310P1	184587	DD32 Durodrive	Use 168608
1MH29310P1	189044	DD34 Durodrive	
1MH29310P2	184588	DD32 Durodrive	Use 187607
1MH29310P2	189042	DD34 Durodrive	
1MH39301	183984	DD32 Durodrive CCW	Use 151232-N/A
1MHA235AP2	182978	DD32 Durodrive	Use 191398-N/A
1MHA39310	16146-1	Fan Clutch 280-Stamped 1MHA39310	
1MHA39310	16146-2	Fan Clutch 280-Stamped 1MHA39310	
24MH248M	1096-07251-01	Adapter Kit Mack E9	
24MH253	4038-42912-01	Adapter Kit Mack E7	Replaced 1096-08227-01
27-19-EV-16686-2	16686-2	Fan Clutch 710 Stamped 27-29-EV-16686-2	
2MH29302	916785	Fan Blade 28-8-3.08	Use 916830
2MH29304	916522	Fan Blade 32-8-3.21	Use 916949
2MH29306	916654	Fan Blade	
2MH29307	916676	Fan Blade	

OEM NUMBER	BorgWarner PART NUMBER	DESCRIPTION	NOTES
2MH29308	916639	Fan Blade	
2MH29309	916733	Fan Blade 32-8-2.29	
2MH29311	916730	Fan Blade 30-8-3.21	
2MH354A	180633	DD32 Durodrive	Use 180101
2MH354AP2	181111	DD26 Durodrive	Use 183125
2MH356	907992	Fan Blade 26-6-2.64	
2MH357	4035-35480-10	Fan Blade 28-6-2.83 2.56/3.50	
2MH358M	4035-35480-05	Fan Blade 30-6-2.83 2.56/3.50	
2MH359M	4035-37494-07	Fan Blade 32-8-3.01 2.56/3.50	
2MH360M	917239	Fan Blade 24-6-2.40	Use 917696
2MH361M	917930	Fan Blade	
2MH362	918052	Fan Blade 25.2-7-3.48	
2MH420P 2	916369	Fan Blade 22.5 dia 7.00 pilot	Not Available
2MH420P 6	914108	Fan Blade 28-8-2.6	Obsolete
2MH420P13	916461	Fan Blade	
2MH420P14	916355	Fan Blade	
2MH420P15	916625	Fan Blade	Use 917164
2MH420P16	916708	Fan Blade	
2MH420P19	916586	Fan Blade	
2MH424P 1	916603	Fan Blade	
2MH424P 3	916813	Fan Blade 21-7-1.97	
2MH427M	917028	Fan Blade 32-8-3.21	Use 916949
2MH427M 2	917027	Fan Blade 30-8-2.91	Use 917839
2MH427M 3	917538	Fan Blade 30-8-2.91	
2MH427M 4	917537	Fan Blade 32-8-3.21	
2MH428	916908	Fan Blade 32-8-2.74	Use 916950
2MH431	4035-38617-03	Fan Blade 24-6-2.7PW All but CH	
2MH431P 2	4035-38825-34	Fan Blade Mack E7	
2MH432	4035-38617-02	Fan Blade 24-6-2.7PW for viscous drives	Use 917696
2MH433M	917504	Fan Blade 30-8-3.21	Use 916827
2MH434	917698	Fan Blade 26-6-2.93	
2MH437	4035-35480-20	Fan Blade 26-6-2.7PW CH only	Use 917884
2MH439	4035-35480-55	Fan Blade 6 blade 26" dia 5.00 pilot	
2MH440	4035-37494-28	Fan Blade	
2MH442	4735-42476-34	Fan Blade 26" 8 blade 5.00 pilot	
2MH443	4735-38825-37	Fan Blade 6 blade 24" dia 5.00 pilot	
2MH444	4035-41135-32	Fan Blade 26" 8 blade 2.56 pilot	
2MH445	18367-1	Fan Clutch 710 92 CH Model	
2MH446	4035-41135-34	Fan Blade 26" 8 blade 5.00 pilot	
2MH447	4035-42476-44	Fan Blade 24" 8 blade 5.00 pilot	
2MH451	4735-42476-34	Fan Blade 26" 8 blade 5.00 pilot	
2MH451P2	4735-42476-71	Fan Blade 28.35" 8 blade 5.00 pilot	
2MH452	4035-37494-01	Fan Blade 32-8-3.01 7.00/8.44	
2MH453	4735-42578-21	Fan Blade 26-8-3.00 5.00/6.00	
2MH45P45	917080	Fan Blade 24-6-2.56{1}	
2MH466	4735-41135-34	Fan Blade 26-8-3.00 5.00/6.00	
2MH48P39	916053	Fan Blade 28-6-3.25	
2MH49301	916936	Fan Blade 30-8-3.13	Use 916827
2MH51	4735-43340-44	Fan Blade 24-9-3.6 5.00/6.00	
2MH51P2	4735-43340-34	Fan Blade 26-9-3.6 5.00/6.00	
2MH52P2	4735-41393-32	Fan Blade 26-9-3.50 2.56/3.50	
2MH52P3	4735-41393-08	Fan Blade 32-9-3.50 2.56/3.50	
2MH53	4735-41135-72	Fan Blade 28.35-8-3.00 2.56/3.50	
2MHA45P35	913681	Fan Blade 22-6-2.75	
2MHA45P36	914366	Fan Blade 22.5-6-2.56	

# Mack

OEM / MFG CROSS-REFERENCE

OEM NUMBER	BorgWarner PART NUMBER	DESCRIPTION	NOTES
2MHA45P40	916424	Fan Blade 22.5-6-2.56	
2MHA45P41	916473	Fan Blade	
2MHA45P42	916472	Fan Blade 22.5-6-2.43	Use 916534
38MH21	184913	DD32 Durodrive	Use 168608
38MH302	17944-1	Fan Clutch 610 Stamped 38MH302	
38MH304	187670	DD30 Durodrive	Use 189176
38MH31	182587	DD26 Durodrive	Use 183125
38MH310	16222-2	Fan Clutch 240	Use 17490-1
38MH311	187684	DD34 Durodrive	Use 188213
38MH311A	197702	DD34 Durodrive	Use 188213
38MH312	192938	DD34 Durodrive	Use 187741
38MH313	192937	DD30 Durodrive	Use 189176
38MH315	194264	DD34 Durodrive	Use 197876
38MH315A	197703	DD34 Durodrive	Use 197876
38MH317A	196002	DD34 Durodrive	
38MH318	196753	DD26 Durodrive	Use 168821
38MH318M	197753	DD26 Durodrive	Never Released
38MH319	196792	DD30 Durodrive	Use 197434
38MH31AP1	194861	DD26 Durodrive	Use 183125
38MH31AP2	194862	DD26 Durodrive	Use 191431
38MH31P2	187781	DD26 Durodrive	Use 191431
38MH322	17708-1	Fan Clutch 690 CH Aero	
38MH322M 2	17708-2	Fan Clutch 690 Stamped 38MH322M 2	
38MH33	184914	DD32 Durodrive	Use 168607
38MH33	189039	DD34 Durodrive	
38MH34	189043	DD34 Durodrive	
38MH37	15635-3	Fan Clutch 280-Stamped 38MH37	Use 183125 DD26
38MH37A	15635-3	Fan Clutch 280-Stamped 38MH37A	Use 183125 DD26
38MH37AP2	16686-1	Fan Clutch 280-Stamped 38MH37AP2	Use 191431 DD26
38MH411M	197089	DD26 Durodrive	Use 197621
38MH412M	193251	DD24 Durodrive	
38MH413M	197780	DD26 Durodrive	
38MH414M	17456-1	Fan Clutch 660 Stamped 38MH414M	Use 168821 DD26
38MH415M	198048	DD24 Durodrive	
38MH416P 2	17545-1	Fan Clutch 660 Stamped 38MH416P2	
38MH416P 3	18115-1	Fan Clutch 660 93 LE Model E7	
38MH416P1	17671-1	Fan Clutch 660 Stamped 38MH416	Use 183125 DD26
38MH417M	17712-1	Fan Clutch 660 Stamped 38MH417M	
38MH418M	17711-1	Fan Clutch 660 Stamped 38MH418M	
38MH420	18092-1	Fan Clutch LE633 w/Cum 8.3	
38MH421M	18325-1	Fan Clutch 660 CH Model w/ Renault Eng	
38MH422M	18400-1	Fan Clutch 690 CL Model	
38MH423M	18676-1	Fan Clutch 710 Stamped 38MH423M	
38MH424M	18672-1	Fan Clutch 710 Stamped 38MH424M	
38MH42A	15851-2	Fan Clutch 280-Stamped 38MH42A	
38MH43A	15850-2	Fan Clutch 280-Stamped 38MH43A	
38MH45	187671	DD34 Durodrive	Use 188212
38MH45A	197704	DD34 Durodrive	Use 188212
38MH47	16740-1	Fan Clutch 280 Stamped 38MH47	
38MH49	193758	DD34 Durodrive	Use 197871
38MHA34	184159	DD32 Durodrive	Use 168608
40MH31	—	Fan Clutch on '85 Superliner w/NTC-350	
40MH32P2	1090-07050-01	Fan Cclutch	
40MH33	1090-07050-03	Fan Clutch Mack E6 Eng	
40MH42M	1090-06060-02	Fan Clutch	Use 1090-08000-01

OEM NUMBER	BorgWarner PART NUMBER	DESCRIPTION	NOTES
40MH422M	010020358	Fan Clutch & Mtg Assy	
40MH423M	010020458	Fan Clutch & Mtg Assy	
40MH427M	010020601	Fan Clutch & Mtg Assy	
40MH428M	010020608	Fan Clutch & Mtg Assy	
40MH430	010020399	Kysor K26 Fan Clutch & Mtg Assy	
40MH431	010020407	Kysor K26 Fan Clutch & Mtg Assy	
40MH51	1090-08000-05A	Fan Clutch Mack E7	
40MH52	1090-08000-01	Fan Cclutch	
<b>Peterbilt</b>			
05-13721-215	1002-05511-35	Alarmstat MB-NO -1T-1/2-215	
05-13721-220	1002-05511-36	Alarmstat MB-NO -1T-1/2-220	
05-13752-200	4735-41134-41	Fan Blade 32-8-3.00 2.00/3.50	
05-14297-200	4735-41134-02	Fan Blade 30-8-3.00 2.00/3.50/3.875	
05-14712-200	4035-37494-02	Fan Blade 32-8-3.01 2.00/3.50/3.875	
05-14780-294	1002-04870-52	Alarmstat DS-NO/NC-3T-3/8-300	
05-14872-200	4035-37494-04	Fan Blade	
05-14872-256	4035-37494-08	Fan Blade 30-8-3.01 2.56/3.50	
05-15011-500	4735-41134-43	Fan Blade 32-8-3.00 5.00/6.00	
05-15350-200	1002-04880-32	Alarmstat SS-NO/NC-3T-3/8-200	
05-15350-205	1002-04880-33	Alarmstat SS-NO/NC-3T-3/8-205	
05-15444-200	4035-38164-06	Fan Blade 30-8-4.00 2.00/3.50/3.875	
05-15444-256	4035-38164-07	Fan Blade 30-8-3.93 2.56/3.50	
05-15444-500	4735-38164-09	Fan Blade 30-8-4.00 5.00/6.00	
05-15596	1030-06051-03	Actuator Assembly	
05-15940-000	17561-1	Fan Clutch 260 Cummins C Eng	
05-16380-000	17693-1	Fan Clutch 660 Stamped 05-16380	
05-17215-200	4735-41392-31	Fan Blade	
05-17293-500	4735-41393-34	Fan Blade 26-9-3.50 5.00/6.00	
05-17923-200	4735-41393-31	Fan Blade 26-9-3.50 2.00/3.50	
05-17926-200	4735-41393-02	Fan Blade 30-9-3.50 2.00/3.50	
05-17926-256	4735-41393-01	Fan Blade 30-9-3.50 2.56/3.50	
05-17926-500	4735-41393-16	Fan Blade 30-9-3.50 5.00/6.00	
05-17927-200	4735-41392-02	Fan Blade 30-9-3.50 2.00/3.50/3.875	
05-18010-200	4735-41393-22	Fan Blade 28-9-3.50 2.00/3.50	
05-18010-500	4735-41393-24	Fan Blade 28-9-3.50 5.00/6.00	
05-18124-000	17975-1	Fan Clutch 400 Stamped 05-18124	
05-18431-000	18049-1	Fan Clutch 660 Stamped 05-18431	
05-18534-000	18088-1	Fan Clutch 690	
05-18815-000	18168-1	Fan Clutch 690 Stamped 05-18815	
05-18889-001	1093-07736-01	Fan Clutch & Mounting Assembly	
05-18889-002	1093-07740-04	Fan Clutch & Mounting Assembly	
05-18889-003	1093-07987-01	Fan Clutch & Mounting Assembly	
05-18889-004	1093-07768-04	Fan Clutch & Mounting Assembly	
05-18889-005	1093-07740-02	Fan Clutch & Mounting Assembly	
05-18889-006	1093-07740-03	Fan Clutch & Mounting Assembly	
05-18889-007	1093-07736-05	Fan Clutch & Mounting Assembly	
05-18889-008	1093-07736-04	Fan Clutch & Mounting Assembly	
05-18889-010	1093-07771-09	Fan Clutch & Mounting Assembly	
05-18889-011	1093-09119-04	Fan Clutch & Mounting Assembly	
05-18889-012	1093-09119-01	Fan Clutch & Mounting Assembly	
05-18889-013	1093-09121-03	Fan Clutch & Mounting Assembly	
05-18889-019	1093-09119-05	Fan Clutch & Mounting Assembly	
05-18889-020	1093-09121-05	Fan Clutch & Mounting Assembly	
05-18889-021	1093-09121-06	Fan Clutch & Mounting Assembly	
05-18895-100	4035-41135-42	Fan Blade 24-8-3.00 2.56/3.50	

OEM / MFG CROSS-REFERENCE

# Peterbilt

OEM / MFG CROSS-REFERENCE

OEM NUMBER	BorgWarner PART NUMBER	DESCRIPTION	NOTES
05-18895-256	4035-41135-08	Fan Blade 30-8-3.00 5.00/6.00	
05-18918-200	4035-41393-07	Fan Blade 32-9-3.50 2.00/3.50	
05-18918-256	4035-41393-08	Fan Blade 32-9-3.50 2.56/3.50	
05-18934-200	4035-41134-41	Fan Blade 32-8-3.00 2.00/3.50	
05-18934-256	4035-41134-42	Fan Blade 32-8-3.00 2.56/3.50	
05-18934-500	4035-41134-43	Fan Blade 32-8-3.00 5.00/6.00	
05-18953-000	18225-1	Fan Clutch 660 Stamped 05-18953	
05-19034-000	312628	Fan Blade 28-9-3.307	
05-19035-000	18247-1	Fan Clutch 690 Stamped 05-19035	
05-19052-200	4035-41392-22	Fan Blade 28-9-3.50 2.00/3.50	
05-19052-500	4035-41392-24	Fan Blade 28-9-3.50 5.00/6.00	
05-19142-200	4035-41392-31	Fan Blade 26-9-3.50 2.00/3.50	
05-19142-500	4035-41392-34	Fan Blade 26-9-3.50 5.00/6.00	
05-19198-000	18324-1	Fan Clutch 690 Stamped 05-19198	
05-19204-100	4035-35480-94	Fan Blade 26-6-2.83 1.002/2.97/2.36	
05-19204-500	4035-35480-55	Fan Blade 26-6-2.83 5.00/6.00	
05-19206-000	18327-1	Fan Clutch 690 Stamped 05-19206	
05-19223-200	4035-41393-31	Fan Blade 26-9-3.50 2.00/3.50	
05-19224-000	18330-1	Fan Clutch 710 Stamped 05-19224 N14	
05-19313-200	4035-41392-02	Fan Blade 30-9-3.50 2.00/3.50/3.875	
05-19317-256	4035-42904-09	Fan Blade 28-8-3.00 2.56/3.50	
05-19318-001	1093-08070-02	Fan Clutch & Mounting Assembly	
05-19326-000	18327-2	Fan Clutch 690 Stamped 05-19326	
05-19373-000	18088-2	Fan Clutch 690 Stamped 05-19373	
05-19451-500	4735-41392-09	Fan Blade 32-9-3.50 5.00/6.00	
05-19476-200	4035-42904-02	Fan Blade 32-8-3.00 2.00/3.50/3.875	
05-19476-256	4735-42904-07	Fan Blade 32-8-3.00 2.56/3.50	
05-19481-000	18467-1	Fan Clutch 690 Stamped 05-19481	
05-19615-200	4735-41393-02	Fan Blade 30-9-3.50 2.00/3.50	
05-19615-256	4735-41393-01	Fan Blade 30-9-3.50 2.56/3.50	
05-19615-500	4735-41393-16	Fan Blade 30-9-3.50 5.00/6.00	
05-19629-500	4735-38825-01	Fan Blade 30-6-2.83 5.00/6.00	
05-19632-200	4735-41134-41	Fan Blade 32-8-3.00 2.00/3.50	
05-19632-256	4735-41134-42	Fan Blade 32-8-3.00 2.56/3.50	
05-19632-500	4735-41134-43	Fan Blade 32-8-3.00 5.00/6.00	
05-19633-500	4735-41134-21	Fan Blade 26-8-3.00 5.00/6.00	
05-19634-256	4735-42904-09	Fan Blade 28-8-3.00 2.56/3.50	
05-19635-200	4735-42904-04	Fan Blade 30-8-3.00 2.00/3.50/3.875	
05-19635-256	4735-42904-08	Fan Blade 30-8-3.00 2.56/3.50	
05-19636-200	4735-42904-02	Fan Blade 32-8-3.00 2.00/3.50/3.875	
05-19637-200	4735-41392-22	Fan Blade 28-9-3.50 2.00/3.50	
05-19637-256	4735-41392-05	Fan Blade 28-9-3.50 2.56/3.50	
05-19637-500	4735-41392-24	Fan Blade 28-9-3.50 5.00/6.00	
05-19638-500	4735-41392-34	Fan Blade 26-9-3.50 5.00/6.00	
05-19639-200	4735-41393-07	Fan Blade 32-9-3.50 2.00/3.50	
05-19639-256	4735-41393-08	Fan Blade 32-9-3.50 2.56/3.50	
05-19639-500	4735-41393-09	Fan Blade 32-9-3.50 5.00/6.00	
05-19640-200	4735-41393-31	Fan Blade 26-9-3.50 2.00/3.50	
05-19640-500	4735-41393-34	Fan Blade 26-9-3.50 5.00/6.00	
05-19641-200	4735-41393-22	Fan Blade 28-9-3.50 2.00/3.50	
05-19697-500	4735-41134-13	Fan Blade 30-8-3.00 5.00/6.00	
05-19751-200	4735-41135-07	Fan Blade 32-8-3.00 2.00/3.50	
05-19751-256	4735-41135-08	Fan Blade 30-8-3.00 5.00/6.00	
05-19751-500	4735-41135-09	Fan Blade 32-8-3.00 5.00/6.00	
05-19754-200	4735-41392-07	Fan Blade 32-9-3.50 2.00/3.50	

OEM NUMBER	BorgWarner PART NUMBER	DESCRIPTION	NOTES
05-19754-256	4735-41392-08	Fan Blade 32-9-3.50 2.56/3.50	
05-19801-500	4735-41135-16	Fan Blade 30-8-3.00 5.00/6.00	
05-19912-200	4735-42904-24	Fan Blade 24-8-3.00 2.56/3.50	
05-19960-500	4735-41135-13	Fan Blade 31-8-3.00 5.00/6.00	
05-25030-001	1093-07771-12	Fan Clutch & Mounting Assembly	
05-25030-002	1093-09086-01	Fan Clutch & Mounting Assembly	
05-25030-003	1093-09090-03	Fan Clutch & Mounting Assembly	
05-25030-004	1093-09090-02	Fan Clutch & Mounting Assembly	
05-25030-005	1093-07930-13	Fan Clutch & Mounting Assembly	
05-25030-006	1093-09076-02	Fan Clutch & Mounting Assembly	
05-25030-007	1093-09076-01	Fan Clutch & Mounting Assembly	
05-25030-008	1093-09092-01	Fan Clutch & Mounting Assembly	
05-25030-009	1093-09104-01	Fan Clutch & Mounting Assembly	
05-25030-010	1093-09129-04	Fan Clutch & Mounting Assembly	
05-25030-011	1093-09129-03	Fan Clutch & Mounting Assembly	
16-04739	1040-33150-01	Override-Manual-NC	
<b>Volvo</b>			
695401	914595	Fan Blade	
695462	151647	DD32 Durodrive CCW	Use 182493
703303	915756	Fan Blade 28" dia 2.57 PW 3.69 pilot/4.62 BC	Obsolete
719682	916084	Fan Blade 30- -3.01	
723329	180615	Thermatic Fan Clutch Assembly	See Thermatic Crossover List
793353	15663-1 or 15663-3	Fan Clutch 240-Stamped ML	
794515	180937	Thermatic Fan Clutch Assembly	No Equivalent
794516	180649	Thermatic Fan Clutch Assembly	See Thermatic Crossover List
794518	180936	Thermatic Fan Clutch Assembly	No Equivalent
794519	180940	Thermatic Fan Clutch Assembly	No Equivalent
794520	180941	Thermatic Fan Clutch Assembly	No Equivalent
794522	180982	Thermatic Fan Clutch Assembly	No Equivalent
794538	916115	Fan Blade Obsolete 32-6-4.62 BC 3.69 pilot	Use 916402
795061	916402	Fan Blade 32-8-3.23	
1110817	4038-35086-17	Adapter Fan	
1115312	4077-38579-02	Pulley	
1116054	1077-05826-10	Mounting Assembly	
1116063	1033-07707-04	Service Kit	
1116064	4077-38338-01	Pulley	
1117136	4077-40444-01	Pulley	
1117529	3003-01490-01	Bearing Assembly	
1117530	4038-40005-01	Bearing Retainer	
1117533	4038-40006-01	Bearing Retainer	
1117534	3018-01491-01	Grease Seal	
1118850	189176	DD30 Durodrive	
1119912	183125	DD26 Durodrive	
1119914	187745	DD26 Durodrive	
1119915	188209	DD30 Durodrive	
1119916	191431	DD26 Durodrive	
1119918	197050	DD34 Durodrive	
1585380	196733	Durodrive DD30	
1674125	917746	Fan Blade 26.77-6-2.69	Use 917746
1674126	917795	Fan Blade 29.53-6-2.69	
1674565	918111	Fan Blade 24.41dia	
1674567	918110	Fan Blade DCVII 24.41"	
1674818	918136	Fan Blade 29.53 dia	
1675035	17914-1	Fan Clutch 280 Stamped 1675035	
1675036	17915-1	Fan Clutch 280 Stamped 1675036	

OEM NUMBER	BorgWarner PART NUMBER	DESCRIPTION	NOTES
1675245	199463	DD26 Durodrive	
1675246	918556	Fan Blade 24.41-6-3.67	
1675607	918165	Fan Blade 24.35"	
1675719	17931-1	Fan Clutch 400 Stamped 1675719 F16	
1675757	166227	DD26 Durodrive	
1676262	1093-08102-01	Fan Clutch & Mounting Assembly	
1676386	918169	Fan Blade	
1938279	4035-38449-06	Fan Blade 22-10-2.16 1.00/1.97/2.36	
1938433	4035-35828-53	Fan Blade 28-7-2.72 1.00/1.97/2.36 CCW	
1938759	4035-35828-97	Fan Blade 30-7-2.72 2.00/3.50 CCW	
1939440	4035-38825-51	Fan Blade 28-6-2.83 1.00/1.97/2.36	
2005390	916457	Fan Blade 28-6-2.63	
2007797	916484	Fan Blade	Use 916950
2009719	916543	Fan Blade	
2010763	916497	Fan Blade 30-6-3.11	
2021046	916574	Fan Blade 28-8-2.26	
2023116	15657-1	Fan Clutch 340 77-78 Astro Titan DDE	
2024262	916594	Fan Blade 30-8-3.23	
2026755	16030-2	Fan Clutch 710 Stamped HL	
2027570	184671	DD26 Durodrive	Use 194098
2028292	15763-2	Fan Clutch 280 Stamped HB HI/JI 9500 w/ 6-71	Use 193707 or 15763-2
2028639	916636	Fan Blade 32-8-3.21	Use 916949
2028640	183943	DD32 Durodrive	Use 187608
2028748	15742-3	Fan Clutch 280-Stamped HC	
2028748	16287-1	Fan Clutch 260-Stamped HC .75 pilot/2.50 BC	
2028749	15742-1	Fan Clutch 280 Stamped HC	Use 16287-1
2032821	916677	Fan Blade 30-8-3.21	Use 916827
2032822	184060	DD32 Durodrive	Use 187605
2037779	15870-2	Fan Clutch 340 on Brig DDE 32" Fan	Use 187418 DD34
2038034	15811-1	Fan Clutch 240-Stamped HD	Use 17478-1
2038035	916662	Fan Blade 20" dia	
2038390	15789-1	Fan Clutch 240-Stamped HF	
2038390	17422-1	Fan Clutch 240-Stamped HF	
2038390	17477-1	Fan Clutch 610-Stamped HF	
2040393	916722	Fan Blade	
2042537	15844-2	Fan Clutch 340 Brig & Gen W/ Cummins	
2044536	15909-2	Fan Clutch 280-Stamped HK	Use 193707
2045349	184930	DD32 Durodrive	Use 187604
2045849	184931	DD32 Durodrive	Use 187418
2048518	15934-1	Fan Clutch 260-Stamped HM	Use 17406-1
2049453	916804	Fan Blade	
2054029	16004-2	Fan Clutch 280 TopKickw/ 3208 3.88/2.06 pilot	
2054350	916841	Fan Blade 30-8-3.21	
2056895	16030-2	Fan Clutch 280 Stamped HL	
2059341	185687	DD26 Durodrive	Use 186575
2063195	16089-1	Fan Clutch 280 Stamped HO	
2065834	16145-1	Fan Clutch 280-Stamped HT	Use 16145-2
2066090	15663-4	Fan Clutch 240-Stamped HP	
2071666	15934-2	Fan Clutch 260-Stamped HM	Use 16288-1
2071667	16145-3	Fan Clutch 280-Stamped HI	
2077950	16229-2	Fan Clutch 240 Stamped HW	
2084107	187509	DD30 Durodrive	Use 193707
2091766	16287-1	Fan Clutch 260-Stamped HX	Use 17405-1
2091767	16288-1	Fan Clutch 260-Stamped HS	Use 17405-1
2092619	187415	DD34 Durodrive	Use 187739

OEM NUMBER	BorgWarner PART NUMBER	DESCRIPTION	NOTES
2092620	187416	DD34 Durodrive	Use 187418
2092637	187805	DD34 Durodrive	Use 187605
2092639	187414	DD34 Durodrive	Use 187417
2096242	189457	DD30 Durodrive	Use 197870
2096243	917096	Fan Blade	Use 917275 917388
2096930	16424-1	Fan Clutch 260-Stamped HZ 83 C5 & C6 6.2L	
2097950	—	Fan Clutch	
2099470	188576	DD26 Durodrive	Use 194098
3081858	4035-37494-09	Fan Blade 28-8-3.01 2.56/3.50	
3081867	1090-08000-01	Fan Clutch	
3085042	4735-38164-92	Fan Blade 26.75-8-4.00 2.56/3.50	
3086143	4035-41392-05	Fan Blade 28-9-3.50 2.56/3.50	
3086602	4035-37494-28	Fan Blade 28-8-3.01 5.00/6.00	
3132191	1033-07707-05	Service Kit	
3132989	1033-07782-01	Service Kit	
3132990	1077-07757-04	Mounting Assembly	
3133392	4079-40642-01	Piston Rod Assembly	
3159233	4735-41392-112	Fan Blade 26.75-9-3.50 5.00/6.00	
3174796	4735-41392-113	Fan Blade 29.5-9-3.50 2.56/3.50	
3179439	1093-07736-15	Fan Clutch & Mounting Assembly	
3187542	1093-08102-03A	Fan Clutch & Mounting Assembly	
3199415	4038-40903-01	Coupling, Rubber for Rear Air Clutch	
3915583	1033-07783-01	Service Kit	
3915592	1090-08500-01	Fan Clutch	Obsolete - replace with 1090-09500-01
3917927	4038-42430-01	Adapter	
3917944	1033-07781-01	Service Kit	
3918904	193742	DD26 Durodrive	Use 189812
3918905	194182	DD34 Durodrive	
3918983	1033-07718-01	Service Kit	
3918984	3018-01613-01	O Ring	
3919052	1033-07707-02	Service Kit	
3919054	4735-38825-10	Fan Blade 28-6-2.83 5.00/6.00	
3919409	3018-01612-01	Seal U-Packing	
3919410	3018-01609-01	Seal	
3919413	3018-01610-01	O Ring	
3919415	4038-40903-01	Coupling	
3919689	4035-38164-06	Fan Blade 30-8-4.00 2.00/3.50/3.875	
3919695	4079-42079-01	Piston Rod-K22RA	
3933726	4035-41392-22	Fan Blade 28-9-3.50 2.00/3.50	
3933727	4035-42600-18	Fan Blade 28-10-2.90 2.56/3.50	
3933728	1093-08080-02	Fan Clutch & Mounting Assembly	
3937593	4035-41392-02	Fan Blade 30-9-3.50 2.00/3.50/3.875	
3938147	4035-41392-16	Fan Blade 30-9-3.50 5.00/6.00	
3940166	4035-41135-01	Fan Blade 30-8-3.00 2.56/3.50	
3940240	4038-35087-05	Spacer Fan	
3942942	1077-08092-01	Mounting Assembly	
3945142	188640	DD30 Durodrive	
3945403	4079-41132-03	Shaft Assembly K22RA	
3945605	1033-08233-01	Kit Seal	
3945614	197885	DD30 Durodrive	
3946053	4035-42904-06	Fan Blade 28-8-3.00 2.00/3.50/3.875	
3946167	3003-01427-01	Cup-Bearing	
3946168	3003-01428-01	Cone-Bearing	
3947478	1077-07735-03	Mounting Assembly	
3948300	1033-08250-01	Kit Lining	



OEM NUMBER	BorgWarner PART NUMBER	DESCRIPTION	NOTES
3967625	4035-41393-112	Fan Blade 24.4-9-3.50 4.00/4.478	
3970977	1090-08000-03	Fan Clutch	
3971383	1077-07756-05	Mounting Assembly	
3972009	4735-41392-02	Fan Blade 30-9-3.50 2.00/3.50/3.875	
3972012	4735-42904-10	Fan Blade 32-8-3.00 5.00/6.00	
3972013	4735-42904-19	Fan Blade 30-8-3.00 5.00/6.00	
3972014	4735-42904-02	Fan Blade 32-8-3.00 2.00/3.50/3.875	
3972015	4735-42904-04	Fan Blade 30-8-3.00 2.00/3.50/3.875	
3972017	4735-41135-07	Fan Blade 32-8-3.00 2.00/3.50	
3973704	4735-42904-07	Fan Blade 32-8-3.00 2.56/3.50	
3973705	4735-41135-08	Fan Blade 32-8-3.00 2.56/3.50	
3973733	4735-42904-08	Fan Blade 30-8-3.00 2.56/3.50	
3973793	4735-41134-41	Fan Blade 32-8-3.00 2.00/3.50	
3973794	4735-41134-42	Fan Blade 32-8-3.00 2.56/3.50	
3973936	4735-41393-01	Fan Blade 30-9-3.50 2.56/3.50	
3974048	4735-41392-01	Fan Blade 30-9-3.50 2.56/3.50	
3974059	4735-41392-103	Fan Blade 26.75-9-3.50 2.56/3.50	
3974060	4735-41392-16	Fan Blade 30-9-3.50 5.00/6.00	
3974067	4735-41392-04	Fan Blade 29-9-3.50 2.56/3.50	
3974068	4735-41392-05	Fan Blade 28-9-3.50 2.56/3.50	
3974069	4735-42904-09	Fan Blade 28-8-3.00 2.56/3.50	
3974081	4735-41393-04	Fan Blade 29-9-3.50 2.56/3.50	
3974082	4735-42600-21	Fan Blade 28-10-3.90 5.00/6.00	
3974269	4735-42904-09	Fan Blade 28-8-3.00 2.56/3.50	
3974310	4735-41392-20	Fan Blade 29-9-3.50 5.00/6.00	
3974368	4735-41135-04	Fan Blade 29-8-3.00 2.56/3.50	
8021342	1077-07735-04	Mounting Assembly	
8028349	4035-41392-04	Fan Blade 29-9-3.50 2.56/3.50	
8056905	17129-1	Fan Clutch 280 Stamped 8056905 on 3306	
8064468	4035-37494-10	Fan Blade 32-8-3.01 5.00/6.00	
8064689	4035-41134-46	Fan Blade 31-8-3.00 2.56/3.50	
8065004	1093-07740-04	Fan Clutch & Mounting Assembly	
8065006	1093-07740-03	Fan Clutch & Mounting Assembly	
8065007	1093-07740-01	Fan Clutch & Mounting Assembly	
8065013	1077-07738-04	Mounting Assembly	
8065018	1077-07767-02	Mounting Assembly	
8065019	1093-07771-02	Fan Clutch & Mounting Assembly	
8065022	1093-07736-01	Fan Clutch & Mounting Assembly	
8065023	1077-07735-02	Mounting Assembly	
8065027	1093-07771-01	Fan Clutch & Mounting Assembly	
8065028	1077-07770-02	Mounting Assembly	
8065029	1093-07740-02	Fan Clutch & Mounting Assembly	
8065030	1077-07738-02	Mounting Assembly	
8065031	1077-07738-01	Mounting Assembly	
8065032	1077-07770-01	Mounting Assembly	
8065033	1077-07735-01	Mounting Assembly	
8066667	1077-07756-01	Mounting Assembly	
8066668	1077-07756-02	Mounting Assembly	
8069694	1077-07738-03	Mounting Assembly	
8069699	1093-07768-02	Fan Clutch & Mounting Assembly	
8069700	1093-07768-01	Fan Clutch & Mounting Assembly	
8071115	1090-07050-01	Fan Clutch	
8073839	17941-1	Fan Clutch 690 Stamped 8073839 94 Volvo White	
8073840	17942-1	Fan Clutch 280 Stamped 8073840 94 Volvo White	
8077479	1093-08192-01	Fan Clutch & Mounting Assembly	

OEM NUMBER	BorgWarner PART NUMBER	DESCRIPTION	NOTES
8077480	1093-08202-01	Fan Clutch & Mounting Assembly	
8077481	1093-08208-01	Fan Clutch & Mounting Assembly	
8077483	1093-08212-01	Fan Clutch & Mounting Assembly	
8077550	4035-41134-70	Fan Blade 29.5-8-3.00 2.56/3.50	
8077854	199840	DD30 Durodrive	
8077864	4035-41135-68	Fan Blade 29.5-8-3.00 5.00/6.00	
8080973	1093-08102-01A	Fan Clutch & Mounting Assembly	
8082583	4735-41135-68	Fan Blade 29.5-8-3.00 5.00/6.00	
8082585	4735-41134-49	Fan Blade 29.5-8-3.00 5.00/6.00	
8082586	4735-41134-69	Fan Blade 29.5-8-3.00 2.00/3.50	
8082587	4735-41134-70	Fan Blade 29.5-8-3.00 2.56/3.50	
8082600	4735-41135-66	Fan Blade 29.5-8-3.00 2.56/3.50	
8084568	1093-08212-02	Fan Clutch & Mounting Assembly	
8084569	1093-08208-02	Fan Clutch & Mounting Assembly	
8085249	918315	Fan Blade 26.77 dia 2.70 pw 5.00 pilot	
8086954	1093-09054-01	Fan Clutch & Mounting Assembly	
8086967	1093-08102-02A	Fan Clutch & Mounting Assembly	
8096802	1077-09083-01B	Mounting Assembly	
8149032	4035-41135-66	Fan Blade 29.5-8-3.00 2.56/3.50	
8149412	18326-1	Fan Clutch 690 Volvo White	
8164113	4035-41135-16	Fan Blade 30-8-3.00 5.00/6.00	
8165097	4035-41392-32	Fan Blade 26-9-3.50 2.56/3.50	
8168714	1093-07813-02	Fan Clutch & Mounting Assembly	
8169329	4035-41134-41	Fan Blade 32-8-3.00 2.00/3.50	
8174378	1093-08080-01	Fan Clutch & Mounting Assembly	
8174468	4035-41135-04	Fan Blade 29-8-3.00 2.56/3.50	
8174686	4035-41135-08	Fan Blade 32-8-3.00 2.56/3.50	
8177385	4035-41392-103	Fan Blade 26.75-9-3.50 2.56/3.50	
8177454	4035-41135-07	Fan Blade 32-8-3.00 2.00/3.50	
8177804	4035-41392-20	Fan Blade 29-9-3.50 5.00/6.00	
8177812	1077-07756-04	Mounting Assembly	
8177814	1093-08093-01	Fan Clutch & Mounting Assembly	
8178064	4035-41392-01	Fan Blade 30-9-3.50 2.56/3.50	
8179456	1077-08092-02B	Mounting Assembly	
8179458	1090-08601-01	Fan Clutch DST	
8179459	4035-42600-21	Fan Blade 28-10-2.90 5.00/6.00	
8179771	4035-41392-24	Fan Blade 28-9-3.50 5.00/6.00	
8180275	4035-41134-43	Fan Blade 32-8-3.00 5.00/6.00	
8181356	4035-42904-08	Fan Blade 30-8-3.00 2.56/3.50	
8181628	4035-42904-02	Fan Blade 32-8-3.00 2.00/3.50/3.875	
8181629	4035-42904-04	Fan Blade 30-8-3.00 2.00/3.50/3.875	
8181630	4035-42904-24	Fan Blade 26-8-3.00 2.00/3.50/3.875	
8181632	4035-42904-33	Fan Blade 24-8-3.00 2.00/3.50/3.875	
8181633	4035-42904-07	Fan Blade 32-8-3.00 2.56/3.50	
8181635	4035-42904-09	Fan Blade 28-8-3.00 2.56/3.50	
8181636	4035-42904-18	Fan Blade 26-8-3.00 2.56/3.50	
8181637	4035-42904-22	Fan Blade 24-8-3.00 2.56/3.50	
8181638	4035-42904-10	Fan Blade 32-8-3.00 5.00/6.00	
8181639	4035-42904-19	Fan Blade 30-8-3.00 5.00/6.00	
8181640	4035-42904-28	Fan Blade 28-8-3.00 5.00/6.00	
8182058	4035-41393-01	Fan Blade 30-9-3.50 2.56/3.50	
8182375	4035-41392-02	Fan Blade 30-9-3.50 2.00/3.50/3.875	
9053050	4035-35480-05	Fan Blade 30-6-2.83 2.56/3.50	
9053051	4035-35480-06	Fan Blade 30-6-2.83 2.00/3.50	
12517624	17946-1	Fan Clutch 660-Stamped AY	Use 18101-1

OEM NUMBER	BorgWarner PART NUMBER	DESCRIPTION	NOTES
14032392	16235-1	Fan Clutch 260-Stamped AY 6.2L w/ AC	Use 17946-1
14032395	16261-1	Fan Clutch 220-Stamped AW	Use 17965-1
14050488	16356-2	Fan Clutch 220-Stamped DT 83 C/K w/6.2L	Use 17964-1
14061688	16487-2	Fan Clutch 220-Stamped ABC	Use 17965-1
14061689	16488-1	Fan Clutch 220-Stamped ACC	
15008793	18410-3	Fan Clutch 690 Stamped GFB 97 GM 3116	
15008794	18425-3	Fan Clutch 710 Stamped GGA 97 GM w/3116	
15010913	18836-2	Fan Clutch 660	
15012383	18713-1	Fan Clutch 712 GMT 540 w/Isuzu 7.2/7.8 w/ A/C	
15012384	18716-1	Fan Clutch 712 GMT 560 w/Isuzu, 3126 w/ A/C	
15020992	—	Fan Clutch 585 2002 GM Isuzu Eng	
15027963	18410-2	Fan Clutch 690 Stamped GCS 97 GM w/3116	
15027964	18425-2	Fan Clutch 710 Stamped GCT GM 3116	
15028400	18478-1	Fan Clutch 585	
15029405	18532-1	Fan Clutch 585-Stamped GDF	
15030120	18521-1	Fan Clutch 690-Stamped GDC	
15030121	18522-1	Fan Clutch 690 GM w/6.5L	
15027963	18410-2	Fan Clutch 690 Stamped GCS 97 GM w/3116	
15030174	18614-1	Fan Clutch 585-Stamped GDP	
15030175	18612-1	Fan Clutch 575-Stamped GDU	
15094861	4735-43480-03	Fan Blade 26-9-3.37	
15521338	917246	Fan Blade 23-7-2.40	
15044771	18786-1	Fan Clutch T6500 '97 w/ 3116	
15051007	18815-1	Eaton 710	
15051008	18814-1	Eaton 710	
15051012	18813-1	Eaton 710	
15051013	18812-1	Eaton 660	
15094861	4735-43480-03	Fan Blade 26-9-3.37	
15152298A	18533-1	Fan Clutch 585-Stamped GDW	
15156593	18426-2	Fan Clutch 690 Stamped GDN	
15156594	18424-2	Fan Clutch 710 Stamped GDP	
15503173	917114	Fan Blade	
15503174	917113	Fan Blade	Use 916827
15503175	917158	Fan Blade	
15504174	16557-1	Fan Clutch 280-Stamped GA Kodiak 3208	
15504261	189811	DD30 Durodrive	Use 194099
15506924	917137	Fan Blade 26-8-2.94	
G15509842	1077-06127-01	Mounting Assembly	
15518830	4035-37494-08	Fan Blade 30-8-3.01 2.56/3.50	
15520108	16835-1	Fan Clutch 280 C/B w/ 366,427	
15520858	193511	DD34 Durodrive	
15520859	4035-37494-03	Fan Blade 30-8-3.01 7.00/8.44	Use 917938
15520883	4035-37494-07	Fan Blade 32-8-3.01 2.56/3.50	
15521337	16897-1	Fan Clutch 260-Stamped GF C70 w/ 427 gas	Use 17407-1
155221338	917246	Fan Blade 23-7-2.40	
15671895	17957-1	Fan Clutch 575-Stamped GC	
15685941	18047-1	Fan Clutch 575-Stamped HB	
15725779	—	Fan Clutch 660 GM 3116	
15528844	193789	DD34 Durodrive	Use 197872
15544949	4035-37494-52	Fan Blade	
15547904	917644	Fan Blade 15.81"	
15547982	917643	Fan Blade 16.0"	
15548036	194020	DD34 Durodrive	Use 196408
15548578	16999-1	Fan Clutch 220-Stamped HP 87 C/K w/6.2L	
15548579	17000-1	Fan Clutch 220-Stamped HR 87 C/K w/6.2L	Use 17957-1

OEM NUMBER	BorgWarner PART NUMBER	DESCRIPTION	NOTES
15549674	194021	DD34 Durodrive	Use 196409
15549675	194028	Mounting Assembly Durodrive	Use 194028
15550056	194545	DD34 Durodrive	Use 197878
15550262	917636	Fan Blade 19.5"	
15550264	917638	Fan Blade 20"	
15550267	917637	Fan Blade 19.0"	
15550684	16317-1	Fan Clutch 400RR CCW Rotation for Coach	
15553301	194631	DD34 Durodrive	
15553374	194785	DD34 Durodrive	Use 196410
15553850	917831	Fan Blade 30-8-3.21	
15556050	194880	Mounting Assembly Durodrive	Use 194880
15557951	194975	Mounting Assembly Durodrive	Use 194975
15557961	196050	DD34 Durodrive	Use 197881
15561214	17307-1	Fan Clutch 280 S-7 Bus	
15562174	917846	Fan Blade	Use 917696
15569108	917867	Fan Blade 30-8-3.21	Use 916827
15569631	17242-1	Fan Clutch 260 w/ John Deere Eng in Med Trk	
15570027	17423-1	Fan Clutch 610 GMT 530	
15570029	917894	Fan Blade 23"	
15570030	17242-1	Fan Clutch 660 530 Trk	Rpld by 15551265
15573493	196617	DD34 Durodrive	Use 197893
15574361	917895	Fan Blade 24"	
15574699	17425-1	Fan Clutch 660 530 Trk w/ 366 & 427 TBI PTO	
15574798	917893	Fan Blade	Use 917694
15579885	917992	Fan Blade 18.00"	
15591697	192588	Mounting Assembly Durodrive	Use 192573
15591698	192594	Mounting Assembly Durodrive	Use 192576
15592169	16308-1	Fan Clutch 280 Brig w/ L10	
15592194	4035-37494-46	Fan Blade 30-8-2.80 7.00/8.44	
15603749	17461-1	Fan Clutch 560-Stamped HP C/K w/6.2L	Use 17956-1
15603750	17460-1	Fan Clutch 560-Stamped HR C/K w/6.2L	Use 17957-4
15604300	17389-1	Fan Clutch 260 S7 Bus w/ 366 Gas Eng	Use 17404-1
15605416	196710	DD34 Durodrive	Use 197895
15620543	197040	DD34 Durodrive	Use 197896
15625176	17603-1	Fan Clutch 660-Stamped RD on Kodiak w/ 3116	Use 17906-1
15625460	17366-1	Fan Clutch 560-Stamped HT P Trk w/ 6.2 L	
15625785	17294-1	Fan Clutch 560 C/B w/ 5.7L	
15625786	17349-1	Fan Clutch 610-Stamped GX GM	
15629252	17799-1	Fan Clutch 690 C Series Chev 3116	Replcd by 15679381
15631333	17614-1	Fan Clutch 560-Stamped AW	Use 17965-1
15640295	198175	DD22 Durodrive & Fan Assembly(917404 blade)	Use 169306 SD60
15640670	17407-1	Fan Clutch 660 Med Trk	
15640671	17404-1	Fan Clutch 660 Med Trk	
15640672	17405-1	Fan Clutch 660 Med Trk	
15640673	17406-1	Fan Clutch 660 Med Trk	
15651264	17423-1	Fan Clutch 610 GMC Kodiak w/ 366 '92	
15651265	17424-1	Fan Clutch 660 Repalced by 17865-1 15674700	
15651266	17425-1	Fan Clutch 660 530 Trk C 6.0 & 7.0	
15657381	918072	Fan Blade 18" CCW	
15661241	17802-1	Fan Clutch 610 P w/ 4BT Cummins	
15668116	918088	Fan Blade 24"	
15668117	17991-1	Fan Clutch	Use 17906-1
15670958	918501	Fan Blade 26-6-2.93	Use 916779
15671894	17956-1	Fan Clutch 575-Stamped GB 93 C/K w/6.2L	Use 17957-1
15674700	17865-1	Fan Clutch 660 GMTP/6.8/7 w/6L/7L	

OEM NUMBER	BorgWarner PART NUMBER	DESCRIPTION	NOTES
15677107	17964-1	Fan Clutch 575-Stamped SW	
15677108	17965-1	Fan Clutch 575-Stamped SX	
15679381	17999-1	Fan Clutch 690	
15684550	17906-1	Fan Clutch 660-Stamped SU	Use 18192-1
15705703	18425-1	Fan Clutch 710 Stamped GCB 97 GM w/ 3116	
15705704	18426-1	Fan Clutch 690 Stamped GCA	
15705705	18424-1	Fan Clutch 710 Stamped GBZ	
15710673	—	Fan Clutch School Bus w/ 3116	
15715148	18297-1	Fan Clutch 710-Stamped GAX GM w/3116	
15716073	18296-1	Fan Clutch 710-Stamped GAW 94 GM 3116	
15718025	18299-1	Fan Clutch 710-Stamped GBF 95-96 GM w/ 3116	
15719196	918762	Fan Blade 20-6-3.05	
15725779	18459-1	Fan Clutch 565 Stamped GBJ 97 GM w/3116	
15767378	18838-2	Fan Clutch 660	
15964643	917846	Fan Bade 24-7-2.40	
15964643	917846	Fan Bade 24-7-2.40	
15969543	18210-2	Fan Clutch 660-Stamped GAH	
15970753	18101-1	Fan Clutch 660-Stamped HU C/K 6.5	
15986748	18164-1	Fan Clutch 710-Stamped NX Kodiak '94 w/ 3116	
15987280	18410-1	Fan Clutch 690-Stamped GBX 97 GM w/3116	
15987287	4035-42600-31	Fan Blade 26-10-2.90	
15990495	18192-1	Fan Clutch 660-Stamped GAB 94-95 GM w/3116	
15990496	18197-1	Fan Clutch 710-Stamped GAC GMC Topkick 3116	
15991381	18193-1	Fan Clutch 660-Stamped GAD GM w/ 3116	
15991496	18198-1	Fan Clutch 660-Stamped GAF	
15992650	918840	Fan Blade 20-9-2.57	
15992656	18384-1	Fan Clutch 585	
15022302	18480-1	Fan Clutch 585-Stamped GCP GM 6.5L	
15995657	18419-1	Fan Clutch 660-Stamped GBH 97 GM w/ 3116	
15995658	18420-1	Eaton 710-Stamped GPL 97 GM w/ 3116	
15995659	18421-1	Eaton 710-Stamped GPK 97 GM w/ 3116	
15995850	18422-1	Eaton 660-Stamped GBA	
15995851	18423-1	Eaton 660-Stamped GBB	
20510399	FC20Q158	—	
27069351	916553	Fan Blade 21- -2.27	Use 913685
27139984	15735-1	Eaton 220 Stamped JD	
20353629	1093-08102-04A	Fan Clutch & Mounting Assembly	
20477428	010011285	Fan Blade 29.53-11-3.72(4735-44001-05)	
20477430	010011667	Fan Blade 31-11-3.72(4735-44000-02)	
20477432	010011077	Fan Blade 29.53-11-3.72(4735-44003-??)	
27069351	916553	Fan Blade 21- -2.27	Use 913685
27139984	15735-1	Fan Clutch 220 Stamped JD	
—	916843	Fan Blade	
20801-0002	916168	Fan Blade 32-8-2.03 MMGG	
20801-0006	916562	Fan Blade	
20801-0011	916464	Fan Blade 28-6-2.27	
20801-0012	916468	Fan Blade 28-6-3.10	
20801-0013	916495	Fan Blade 32-8-1.92 7.00 pilot	
20801-0015	916531	Fan Blade 28-8-2.57	
20801-0017	916532	Fan Blade 32-8-3.21	Use 916949
20801-0021	916573	Fan Blade	
20801-0022	916656	Fan Blade	
20801-0023	916593	Fan Blade 28- -2.02	Obsolete
20801-0038	916670	Fan Blade 22.5- -3.31	
20801-0042	916705	Fan Blade	

OEM NUMBER	BorgWarner PART NUMBER	DESCRIPTION	NOTES
20801-0045	916704	Fan Blade 32-8-2.26	
20801-0055	916819	Fan Blade	Use 916909
20801-0080	4035-35480-03	Fan Blade 32-6-2.83 5.00/6.00	
20801-0081	4035-37494-07	Fan Blade 32-8-3.01 2.56/3.50	
20801-0082	4035-37494-02	Fan Blade 32-8-3.01 2.00/3.50/3.875	
20801-0083	4035-37494-33	Fan Blade 24-8-3.01 2.00/3.50/3.875	
20801-0084	4035-35480-27	Fan Blade 32-6-2.83 2.00/3.50/3.875	
20801-0085	4035-35480-10	Fan Blade 28-6-2.83 2.56/3.50	
20801-0086	4035-35480-18	Fan Blade 28-6-2.83 2.00/3.50	
20801-0087	4035-37494-01	Fan Blade 32-8-3.01 7.00/8.44	
20801-0089	4035-35480-32	Fan Blade 24-6-2.83 2.00/3.50	
20801-0091	4035-38617-15	Fan Blade 32-6-2.83 2.00/3.50	
20801-0092	4035-37494-22	Fan Blade 24-8-3.01 2.56/3.50	
20801-0093	917372	Fan Blade 32-8-2.11	
20801-0095	4035-38164-54	Fan Blade 24-8-4.00 2.56/3.50	
20801-0096	4035-38164-51	Fan Blade 25-8-4.00 2.56/3.50	
20801-0097	4035-35480-07	Fan Blade 28-6-2.83 5.00/6.00	
20801-0099	4035-38825-04	Fan Blade 32-6-2.83 2.00/3.50	
20801-0100	4035-37494-12	Fan Blade 32-8-3.01 2.05/3.50/3.875	
20801-0102	4035-35480-15	Fan Blade 24-6-2.83 2.56/3.50	
20801-0103	4035-35480-30	Fan Blade 28-6-2.83 2.00/3.50/3.875	
20801-0105	4035-38825-03	Fan Blade 32-6-2.83 2.56/3.50	
20801-0106	4035-38825-11	Fan Blade 28-6-2.83 2.56/3.50	
20801-0107	4035-35480-02	Fan Blade 32-6-2.83 2.00/3.50	
20801-0108	916950	Fan Blade 32-8-2.77 7.0 pilot	
20801-0109	917198	Fan Blade 32-8-2.70	Use 917939
20801-0111	4035-38825-02	Fan Blade 32-6-2.83 5.00/6.00	
20801-0112	4035-38164-12	Fan Blade 28-8-4.00 2.56/3.50	
20801-0115	4035-38825-75	Fan Blade 31-6-2.83 2.56/3.50	
20801-0116	4035-41135-01	Fan Blade 30-8-3.00 2.56/3.50	
20801-3202	4035-35480-05	Fan Blade 30-6-2.83 2.56/3.50	
20801-3204	4035-37494-08	Fan Blade 30-8-3.01 2.56/3.50	
20801-3205	4035-37494-03	Fan Blade 30X3.01 7" Pilot	
20801-3206	4035-37494-19	Fan Blade 30.0-8-2.88 5" Pilot	
20801-3207	918533	Fan Blade 24.41-3.67 PW 5.00 pilot	
20801-3402	4035-35480-09	Fan Blade 28-8-3.01 2.56/3.50	
20801-3404	4035-35828-01	Fan Blade 30-7-2.72 4.501/5.50 CCW	
20801-3406	4035-35480-32	Fan Blade 24-6-2.83 2.00/3.50	
20801-3408	4035-35480-18	Fan Blade 28-6-2.83 2.00/3.50	
20801-3412	4035-37494-08	Fan Blade 30-8-3.01 2.56/3.50	
20801-3413	4035-37494-13	Fan Blade 30-8-3.01 2.05/3.50/3.875	
20801-3414	4035-37494-04	Fan Blade 30-8-3.01 2.00/3.50/3.875	
20801-3416	4035-35480-28	Fan Blade 28-6-2.83 2.05/3.50/3.875	
20801-3417	4035-37494-14	Fan Blade 28-8-3.01 2.05/3.50/3.875	
20801-3418	4035-35480-10	Fan Blade 28-6-2.83 2.56/3.50	
20801-3419	4035-35480-07	Fan Blade 28-6-2.83 5.00/6.00	
20801-3420	4035-37494-19	Fan Blade 30-8-3.01 5.00/6.00	
20801-3421	4035-35480-05	Fan Blade 30-6-2.83 2.56/3.50	
20801-3422	4035-42904-02	Fan Blade 32-8-3.00 2.00/3.50/3.875	
20801-3423	4035-38164-19	Fan Blade 30-8-4.00 2.05/3.50/3.875	
20801-3424	4035-38164-07	Fan Blade 30-8-4.00 2.56/3.50	
20801-3425	4035-38164-06	Fan Blade 30-8-4.00 2.00/3.50/3.875	
20801-3426	4035-38164-18	Fan Blade 32-8-4.00 2.05/3.50/3.875	
20801-3429	4035-35480-33	Fan Blade 30-6-2.83 5.00/6.00	
20801-3430	4035-37494-07	Fan Blade 32-8-3.01 2.56/3.50	

OEM NUMBER	BorgWarner PART NUMBER	DESCRIPTION	NOTES
20801-3433	4035-35480-21	Fan Blade 24-6-2.83 5.00/6.00	
20801-3434	4035-38825-05	Fan Blade 30-6-2.83 2.56/3.50	
20801-3435	4035-35480-01	Fan Blade 32-6-2.83 2.56/3.50	
20801-3436	4035-35480-02	Fan Blade 32-6-2.83 2.00/3.50	
20801-3438	4035-35480-03	Fan Blade 32-6-2.83 5.00/6.00	
20801-3439	4035-37494-10	Fan Blade 32-8-3.01 5.00/6.00	
20801-3440	4035-38449-18	Fan Blade 22-10-2.16 2.56/3.50	
20801-3441	4035-35480-22	Fan Blade 22-6-2.83 5.00/6.00	
20801-3443	4035-38825-03	Fan Blade 32-6-2.83 2.56/3.50	
20801-3447	4035-41135-08	Fan Blade 32-8-3.00 2.56/3.50	
20801-3448	4035-41135-01	Fan Blade 30-8-3.00 2.56/3.50	
20801-3449	4035-41135-07	Fan Blade 32-8-3.00 2.00/3.50	
20801-3450	4035-41135-02	Fan Blade 30-8-3.00 2.00/3.50	
20801-3451	4035-41392-01	Fan Blade 30-9-3.50 2.56/3.50	
20801-3452	4035-41392-02	Fan Blade 30-9-3.50 2.00/3.50/3.875	
20801-3454	4035-41392-08	Fan Blade 32-9-3.50 2.56/3.50	
20801-3455	4035-41134-42	Fan Blade 32-8-3.00 2.56/3.50	
20801-3456	4035-41134-01	Fan Blade 30-8-3.00 2.56/3.50	
20801-3457	4035-41393-01	Fan Blade 30-9-3.50 2.56/3.50	
20801-3458	4035-41392-07	Fan Blade 32-9-3.50 2.00/3.50	
20801-3459	4035-41134-41	Fan Blade 32-8-3.00 2.00/3.50	
20801-3460	4035-38825-09	Fan Blade 30-6-2.83 2.00/3.50	
20801-3461	4035-41393-08	Fan Blade 32-9-3.50 2.56/3.50	
20801-3463	4035-41134-02	Fan Blade 30-8-3.00 2.00/3.50/3.875	
20801-3464	4035-42600-04	Fan Blade 30-10-2.90 2.00/3.50/3.875	
20801-3465	4035-42600-05	Fan Blade 30-10-2.90 2.56/3.50	
20801-3466	4035-41393-02	Fan Blade 30-9-3.50 2.00/3.50	
20801-3467	4035-41393-07	Fan Blade 32-9-3.50 2.00/3.50	
20801-3468	4035-38449-09	Fan Blade 22-10-2.16 2.00/3.50	
20801-3469	4035-41391-51	Fan Blade 22-9-3.50 2.00/3.50	
20801-3470	4035-41391-07	Fan Blade 32-9-3.50 2.00/3.50	
20801-3472	4735-42904-103	Fan Blade 32-8-3.00 2.00/3.50	
20801-3473	4735-41135-08	Fan Blade 32-8-3.00 2.56/3.50	
20801-3474	4735-41135-01	Fan Blade 30-8-3.00 2.56/3.50	
20801-3475	4735-41135-07	Fan Blade 32-8-3.00 2.00/3.50	
20801-3476	4735-41135-02	Fan Blade 30-8-3.00 2.00/3.50	
20801-3477	4735-41392-01	Fan Blade 30-9-3.50 2.56/3.50	
20801-3478	4735-41392-02	Fan Blade 30-9-3.50 2.00/3.50/3.875	
20801-3479	4735-41134-42	Fan Blade 32-8-3.00 2.56/3.50	
20801-3480	4735-41393-01	Fan Blade 30-9-3.50 2.56/3.50	
20801-3481	4735-41392-07	Fan Blade 32-9-3.50 2.00/3.50	
20801-3482	4735-41134-41	Fan Blade 32-8-3.00 2.00/3.50	
20801-3483	4735-41393-08	Fan Blade 32-9-3.50 2.56/3.50	
20801-3484	4735-41134-02	Fan Blade 30-8-3.00 2.00/3.50/3.875	
20801-3485	4735-41393-02	Fan Blade 30-9-3.50 2.00/3.50	
20801-3486	4735-41393-07	Fan Blade 32-9-3.50 2.00/3.50	
20801-3489	4735-41391-07	Fan Blade 32-9-3.50 2.00/3.50	
20801-3490	4735-41391-52	Fan Blade 22-9-3.50 2.56/3.50	
20801-3491	4735-41392-08	Fan Blade 32-9-3.50 2.56/3.50	
20801-3601	4035-35480-02	Fan Blade 32-6-2.83 2.00/3.50	
20801-3602	4035-35480-01	Fan Blade 32-6-2.83 2.56/3.50	
20801-3605	4035-35480-10	Fan Blade 28-6-2.83 2.56/3.50	
20801-3802	4035-35827-13	Fan Blade	
20801-3803	4035-37494-16	Fan Blade 26-8-3.01 7.00/8.44	
20801-3804	4035-37494-24	Fan Blade 26-8-3.01 2.00/3.50/3.875	

OEM NUMBER	BorgWarner PART NUMBER	DESCRIPTION	NOTES
20801-3805	4035-35480-62	Fan Blade 26-6-2.83 2.00/3.50/3.875	
20801-3806	4035-35480-06	Fan Blade 30-6-2.83 2.00/3.50	
20801-3807	4035-37494-01	Fan Blade 32-8-3.01 7.00/8.44	
20801-3808	4035-35480-34	Fan Blade 32-6-2.83 2.05/3.50/3.875	
20801-3810	4035-35480-55	Fan Blade 26-6-2.83 5.00/6.00	
20801-3811	4035-37494-18	Fan Blade 26-8-3.01 2.56/3.50	
20801-3812	4035-35480-20	Fan Blade 26-6-2.83 2.56/3.50	
20801-3813	4035-38825-11	Fan Blade 28-6-2.83 2.56/3.50	
20801-3814	4035-37494-09	Fan Blade 28-8-3.01 2.56/3.50	
20801-3816	4035-37494-06	Fan Blade 28-8-3.01 2.00/3.50/3.875	
20801-3818	4035-37494-10	Fan Blade 32-8-3.01 5.00/6.00	
20801-5001	4035-37494-06	Fan Blade 28-8-3.01 2.00/3.50/3.875	
20801-8000	4035-37494-04	Fan Blade 30-8-3.01 2.00/3.50/3.875	
20801-8001	4035-37494-03	Fan Blade 30-8-3.01 7.00/8.44	
20802-3420	4038-36380-02	Adapter Kit	
20802-3429	4038-35086-12	Adapter Kit	
20802-3430	4038-40933-01	Adapter Kit	
20802-3433	1096-06539-01	Adapter Kit	
20802-3434	4038-37101-16	Adapter Kit	
20805-4409	1077-05849-02	Mounting Assembly	
20805-5026	—	Pulley Hub 6847 Durodrive	Use 184781
20806-3402	1077-05826-02	Mounting Assembly	
20806-3405	1077-06925-02	Mounting Assembly	
20806-3406	1077-07867-01	Mounting Assembly	
20806-3407	4038-37053-01	Adapter Kit	
20806-3408	1077-07738-06	Mounting Assembly	
20806-3409	1077-07735-01	Mounting Assembly	
20808-0016	—	Spacer Kit Durodrive	Use 193383
20810-3403	192589	Mounting Assembly Durodrive	Use 192589
20811-3207	198197	DD34 Durodrive	
20811-3208	1077-07756-03	Mounting Assembly	
20811-5030	184781	Pulley Hub Durodrive	
20811-5036	1077-05827-01	Mounting Assembly	
20812-3206	1077-07401-01	Mounting Assembly	
20815-3206	1077-07439-02	Mounting Assembly	
20818-0025	184686	Mounting Assembly Durodrive	Use 191553
20818-0029	185344	Mounting Assembly Durodrive	Use 192577
20818-0038	186188	Mounting Assembly Durodrive	Use 192597
20818-0040	186238	Mounting Assembly Durodrive	Use 192598
20818-0048	1077-06165-01	Mounting Assembly	
20818-0049	192593	Mounting Assembly Durodrive	Use 191553
20818-0050	192591	Mounting Assembly Durodrive	Use 192591
20818-0051	192589	Mounting Assembly Durodrive	Use 192574
20818-0052	—	Mounting Assembly	
20818-0053	1077-05849-02	Mounting Assembly	
20818-0057	1077-06565-04	Mounting Assembly L-10 5.00" dia	
20818-0058	1077-06565-02	Mounting Assembly L-10 7.50" dia	
20818-0060	98145.452	98145.452	
98145.452	1077-07438-02	Mounting Assembly	
20818-0066	1077-07438-03	Mounting Assembly	
20818-3201	197427	Mounting Assembly Durodrive	Use 197427
20818-3203	1077-06565-05	Mounting Assembly L-10 5.45" dia	
20818-3800	1077-05849-01	Mounting Assembly	
20822-0007	13265-5	Fan Clutch 340 Volvo White	
20822-0008	187740	DD34 Durodrive	Use 187740



OEM NUMBER	BorgWarner PART NUMBER	DESCRIPTION	NOTES
20822-0012	182994	DD32(CCW) Durodrive	Use 151232-N/A
20822-0013	183716	DD32 Durodrive	Use 168607
20822-0015	183717	DD32 Durodrive	Use 168608
20822-0016	182993	DD32 Durodrive	Use 187607
20822-0016	194163	DD34 Durodrive	Use 187741
20822-0019	182992	DD32 Durodrive	Use 187604
20822-0020	183979	DD26 Durodrive	Use 182851
20822-0022	183710	DD32 Durodrive	Use 187604
20822-0025	184239	DD26 Durodrive	Use 194099
20822-0032	15846-3	Fan Clutch 340 Volvo White	
20822-0033	15877-2	Fan Clutch 340 Stamped 20822-0033 Volvo White	
20822-0035	184906	DD32 Durodrive	Use 187604
20822-0045	185346	DD32 Durodrive	Use 168669
20822-0051	—	Fan Clutch 85 Volvo	
20822-0062	187218	DD32 Durodrive	Use 187605
20822-0065	16747-1	Fan Clutch 280 Stamped 20822-0065	
20822-0067	1090-05703-01	Fan Clutch	
20822-0082	186315	DD34 Durodrive	Use 187740
20822-0108	193609	DD30 Durodrive	Use 196384
20822-0126	194169	DD34 Durodrive	Use 197874
20822-0127	194189	DD34 Durodrive	Use 197875
20822-0128	187807	DD34 Durodrive	Use 187607
20822-0130	194374	DD30 Durodrive	Use 197877
20822-0131	194373	DD26 Durodrive	Use 182851
20822-0135	1093-07123-01	Fan Clutch & Mounting Assembly	
20822-0151	1090-07050-01	Fan Clutch for Volvo-GMC 89 Model Yr	
20822-0152	1093-07181-01	Fan Clutch & Mounting Assembly	
20822-0154	1093-07191-01	Fan Clutch & Mounting Assembly	
20822-0155	1093-07201-01	Fan Clutch & Mounting Assembly	
20822-0156	1093-07190-01	Fan Clutch & Mounting Assembly	
20822-0162	17504-1	Fan Clutch 280 Stamped 20822-0162 on L-10	
20822-0170	198212	DD34 Durodrive	
20822-0177	1093-07637-01	Fan Clutch & Mounting Assembly	
20822-0186	1093-07672-01	Fan Clutch & Mounting Assembly	
20822-0188	199511	DD34 Durodrive	
20822-0190	1093-07794-02	Fan Clutch & Mounting Assembly	
20822-3202	1093-07300-01	Fan Clutch & Mounting Assembly	
20822-3204	17581-1	Fan Clutch 690 Stamped 20822-3204 L-10	
20822-3205	17657-1	Fan Clutch 690 Stamped 20822-3205 Series 60	Use 198242 DD-30
20822-3206	198195	DD34 Durodrive	
20822-3207	198197	DD34 Durodrive	
20822-3208	198241	DD30 Durodrive	
20822-3209	198242	DD30 Durodrive	
20822-3210	199159	DD26 Durodrive	
20822-3211	1093-07758-02	Fan Clutch & Mounting Assembly N14	
20822-3212	1093-07758-01	Fan Clutch & Mounting Assembly N14	
20822-3408	1090-05262-01	Fan Clutch	
20822-3425	16696-1	Fan Clutch 280 Stamped 20822-3425 Cummins	
20822-3435	1093-07220-01	Fan Clutch & Mounting Assembly	
20822-3448	1093-07082-01	Fan Clutch & Mounting Assembly	
20822-3459	188667	DD30 Fan Clutch	
20822-3460	17665-1	Fan Clutch 660 on Western Star Cummins C Series	
20822-3461	1093-07269-01	Fan Clutch & Mounting Assembly	
20822-3462	1090-07050-01	Fan Clutch	

OEM NUMBER	BorgWarner PART NUMBER	DESCRIPTION	NOTES
20822-3463	188667	DD30 Durodrive	Use 189176
20822-3465	1093-07357-01	Fan Clutch & Mounting Assembly	
20822-3466	1093-07523-01	Fan Clutch & Mounting Assembly	
20822-3468	1077-07253-01	Mounting Assembly	
20822-3470	1093-07571-01	Fan Clutch & Mounting Assembly	
20822-3471	1093-07510-01	Fan Clutch & Mounting Assembly	
20822-3472	1093-07509-01	Fan Clutch & Mounting Assembly	
20822-3474	1093-07519-01	Fan Clutch & Mounting Assembly	
20822-3482	1093-07671-01	Fan Clutch & Mounting Assembly	
20822-3484	1093-07693-01	Fan Clutch & Mounting Assembly	
20822-3486	1090-08000-01	Fan Clutch	
20822-3494	1093-07736-03	Fan Clutch & Mounting Assembly	
20822-3496	1093-07768-03	Fan Clutch & Mounting Assembly 3406	
20822-3497	1093-07868-01	Fan Clutch & Mounting Assembly N14	
20822-3498	1093-07771-06	Fan Clutch & Mounting Assembly 3176	
20822-3499	1093-07740-02	Fan Clutch & Mounting Assembly L10/M11	
20822-3503	1093-07736-01	Fan Clutch & Mounting Assembly Series 60	
20822-3505	1093-07740-06	Fan Clutch & Mounting Assembly L10/M11	
20822-3506	1093-07768-02	Fan Clutch & Mounting Assembly	
20822-3512	1093-08072-01	Fan Clutch & Mounting Assembly	
20822-3521	1093-08100-01	Fan Clutch & Mounting Assembly	
20822-3617	189194	DD34 Durodrive	Use 187604
20822-3618	189195	DD34 Durodrive	Use 196078
20822-3800	16891-1	Fan Clutch 280 Autocar 3406 5.00 Pilot 32" Dia	Use 187604 & 916950 Blade
20822-3809	1093-07189-01	Fan Clutch & Mounting Assembly	
20822-5014	15715-1	Fan Clutch 340	
20822-5015	13271-5	Fan Clutch 340 Volvo White	
20822-5028	186152	DD34 Durodrive	Use 187739
20828-0050	192591	Mounting Assembly	Use 192577
20890-5042	192778	Bearing Kit Mounting Assembly	
G15509842	1077-06127-01	Mounting Assembly	
V1116054	1077-05826-10	Mounting Assembly	
V1117374	1077-07156-08	Mounting Assembly	
<b>Western Star</b>			
20822-3460	17502-1	Fan Clutch 260 Stamped 20822-3460	

# Drive Assembly Components

DRIVE ASSEMBLY COMPONENTS

Drive Assembly	Hub	P/N	Clutch	Obsolete	Replace With
010018934	010019026	1090-09500-01			
010018946	010019001	1090-09500-01			
010018952	010018953	1090-09500-01			
010019007	010019666	1090-09500-01			
010019008	010019624	1090-09500-01			
010019573	010019574	1090-09500-01			
010019587	010019588	1090-09500-01			
010019599	010019600	1090-09500-01			
010019630	010019631	1090-09500-01			
010019659	010019742	1090-09500-01			
010019661	010020286	1090-09500-01			
010019679	010019680	1090-09500-01			
010019696	010019697	1090-09500-01			
010019777	010019778	1090-09500-01			
010019786	010019787	1090-09500-01			
010019857	010020079	1090-09500-01			
010020034	010020074	1090-09500-01			
010020038	010020040	1090-09500-01			
010020084	010020085	1090-09500-01			
010020090	010020091	1090-09500-01			
010020170	010020181	1090-09500-01			
010020173	010020174	1090-09500-01			
010020177	010020230	1090-09500-01			
010020178	010020242	1090-09500-01			
010020199	010020266	1090-09500-01			
010020202	010020235	1090-09500-01			
010020204	010020227	1090-09500-01			
010020205	010020237	1090-09500-01			
010020225	010020251	1090-09500-01			
010020226	010020282	1090-09500-01			
010020247	010020255	1090-09500-01			
010020248	010020257	1090-09500-01			
010020262	010020263	1090-09500-01			
010020314	010020336	1090-09500-01			
010020315	010020343	1090-09500-01			
010020354	010020367	1090-09500-01			
010020358	010020369	1090-09500-01			
010020376	010020377	1090-09500-01			
010020399	010020400	1090-09500-01			
010020407	010020408	1090-09500-01			
010020410	010020411	1090-09500-01			
010020412	010020429	1090-09500-01			
010020413	010020464	1090-09500-01			
010020414	010020476	1090-09500-01			
010020415	010020481	1090-09500-01			
010020416	010020417	1090-09500-01			
010020458	010020459	1090-09500-01			
010020470	010020499	1090-09500-01			
010020471	010020544	1090-09500-01			
010020472	010020631	1090-09500-01			
010020473	010020633	1090-09500-01			
010020488	010020533	1090-09500-01			
010020489	010020562	1090-09500-01			
010020547	010020618	1090-09500-01			
010020548	010020568	1090-09500-01			
010020601	010020602	1090-09500-01			
010020607	010020652	1090-09500-01			
010020608	010020610	1090-09500-01			
010020614	010020639	1090-09500-01			
010020642	010020643	1090-09500-01			
010020645	010020657	1090-09500-01			
010020672	010020673	1090-09500-01			
010020699	010020732	1090-09500-01			
010020700	010020722	1090-09500-01			
010020701	010020738	1090-09500-01			
010020713	010020746	1090-09500-01			
010020714	010020742	1090-09500-01			
010020717	010020730	1090-09500-01			

# Drive Assembly Components

Drive Assembly	Hub	P/N	Clutch	Obsolete	Replace With
1093-05472-01	4077-35428-01	1090-05261-01			
1093-05607-01	—	1090-05261-01			
1093-05866-01	1077-05827-01	1090-05261-01			
1093-05867-01	1077-05827-01	1090-05262-01			
1093-05868-01	1077-05826-01	1090-05261-01			
1093-05869-01	1077-05826-01	1090-05261-01			
1093-05870-01	1077-05826-01	1090-05262-01			
1093-05911-01	4077-37244-01	1090-05262-01			
1093-05917-01	1077-05849-01	1090-05261-01			
1093-05918-01	1077-05849-01	1090-05262-01			
1093-05956-01	1077-05826-04	1090-05262-01			
1093-05966-01	1077-05826-01	1090-05261-01			
1093-05982-01	1077-05826-03	1090-05262-01			
1093-05985-01	1077-05826-01	1090-05261-01			
1093-05995-01	1077-05826-02	1090-05261-01			
1093-05996-01	1077-05827-01	1090-05261-01			
1093-05997-01	1077-05826-01	1090-05261-01			
1093-05998-01	1077-05827-01	1090-05262-01			
1093-05999-01	1077-05849-01	1090-05261-01			
1093-06001-01	1077-05849-01	1090-05262-01			
1093-06014-01	1077-05826-01	1090-05262-01			
1093-06015-01	1077-05827-01	1090-05262-01			
1093-06016-01	1077-05826-01	1090-05261-01			
1093-06034-01	1077-05826-02	1090-05262-01			
1093-06058-01	1077-05849-01	1090-05261-01			
1093-06059-01	1077-05849-01	1090-05262-01			
1093-06061-01	1077-05827-01	1090-05262-01			
1093-06062-01	1077-05849-01	1090-05262-01			
1093-06063-01	1077-05826-01	1090-05262-01			
1093-06071-01	1077-05826-01	1090-05261-01			
1093-06072-01	1077-05826-01	1090-05261-01			
1093-06073-01	1077-05826-02	1090-05261-01			
1093-06080-01	1077-05826-02	1090-05262-01			
1093-06124-01	1077-05826-01	1090-05262-01			
1093-06128-01	1077-05826-01	1090-05261-01			
1093-06129-01	1077-05826-02	1090-05261-01			
1093-06130-01	1077-05827-01	1090-05261-01			
1093-06162-01	1077-06155-01	1090-05262-01			
1093-06163-01	1077-06157-01	1090-05262-01			
1093-06177-01	1077-05826-01	1090-05703-01			
1093-06178-01	1077-05826-03	1090-05261-01			
1093-06181-01	1077-05849-01	1090-05261-01			
1093-06182-01	1077-06165-01	1090-05261-01			
1093-06183-01	1077-06165-02	1090-05703-01			
1093-06184-01	1077-06167-01	1090-05261-03			
1093-06185-01	1077-06166-01	1090-05703-01			
1093-06187-01	1077-06165-01	1090-05261-01			
1093-06188-01	1077-05849-01	1090-05262-01			
1093-06190-01	1077-05827-01	1090-05261-01			
1093-06192-01	1077-05849-01	1090-05261-01			
1093-06193-01	1077-05827-01	1090-05261-01			
1093-06194-01	1077-05826-01	1090-05261-01			
1093-06198-01	4077-37791-01	1090-05261-01			
1093-06203-01	1077-05826-08	1090-05703-01			
1093-06244-01	1077-05826-08	1090-05261-01			
1093-06247-01	1077-05826-05	1090-05261-01			
1093-06253-01	1077-06155-01	1090-05261-01			
1093-06254-01	1077-06157-01	1090-05261-01			
1093-06329-01	1077-06149-01	1090-05261-01			
1093-06330-01	1077-06127-01	1090-05261-01			
1093-06331-01	1077-06127-01	1090-05261-01			
1093-06332-01	1077-06201-01	1090-05261-01			
1093-06333-01	1077-06157-01	1090-05261-01			
1093-06397-01	1077-05827-01	1090-05262-01			
1093-06398-01	1077-05849-01	1090-05262-01			
1093-06430-01	1077-05827-01	1090-06060-01			
1093-06514-01	1077-05826-01	1090-05262-01			
1093-06524-01	1077-05826-01	1090-06060-01			
1093-06525-01	1077-05827-01	1090-06060-01			
1093-06526-01	1077-05849-01	1090-06060-01			

DRIVE ASSEMBLY COMPONENTS

# Drive Assembly Components

DRIVE ASSEMBLY COMPONENTS

Drive Assembly	Hub	P/N	Obsolete	Clutch	Replace With
1093-06531-01	none	1090-06404-01			
1093-06553-01	4077-36625-01	1090-05262-01			
1093-06557-01	1077-05826-04	1090-05262-01			
1093-06569-01	1077-05826-01	1090-06060-02			
1093-06570-01	1077-05827-01	1090-06060-01			
1093-06571-01	1077-05827-01	1090-06060-02			
1093-06572-01	1077-05489-01	1090-06060-02			
1093-06578-01	1077-05849-01	1090-05262-01			
1093-06598-01	1077-05826-04	1090-05261-01			
1093-06605-01	1077-05849-01	1090-05262-01			
1093-06623-01	1077-06521-01	1090-06060-02			
1093-06634-01	1077-05826-01	1090-05261-01			
1093-06635-01	1077-05826-02	1090-05262-01			
1093-06636-01	1077-05826-02	1090-06620-01			
1093-06637-01	1077-05826-02	1090-06060-02			
1093-06638-01	1077-05826-01	1090-06620-01			
1093-06647-01	1077-05826-01	1090-05262-01			
1093-06650-01	1077-06157-01	1090-06060-02			
1093-06651-01	1077-06127-01	1090-05262-01			
1093-06652-01	1077-06127-01	1090-06060-02			
1093-06653-01	1077-06155-01	1090-06060-02			
1093-06654-01	1077-06149-01	1090-06060-02			
1093-06658-01	1077-05826-01	1090-06620-01			
1093-06686-01	1077-05849-01	1090-05261-01			
1093-06689-01	1077-06201-01	1090-05261-01			
1093-06690-01	1077-06165-01	1090-05261-01			
1093-06691-01	1077-05827-01	1090-05261-01			
1093-06692-01	1077-05827-02	1090-05262-01			
1093-06730-01	1077-06127-01	1090-06060-02			
1093-06731-01	1077-05849-02	1090-05261-01			
1093-06732-01	1077-06149-01	1090-05262-01			
1093-06733-01	1077-05827-01	1090-06620-01			
1093-06734-01	1077-05849-02	1090-06620-01			
1093-06739-01	1077-05826-01	1090-05262-01			
1093-06740-01	1077-05826-01	1090-05262-01			
1093-06741-01	1077-05862-02	1090-06060-02			
1093-06742-01	1077-05827-01	1090-06060-02			
1093-06743-01	1077-05849-01	1090-05261-01			
1093-06746-01	1077-05849-01	1090-06620-01			
1093-06747-01	1077-06127-01	1090-06620-01			
1093-06748-01	1077-06127-01	1090-06620-01			
1093-06749-01	1077-06149-01	1090-06620-01			
1093-06750-01	1077-06155-01	1090-06620-01			
1093-06751-01	1077-06201-01	1090-06620-01			
1093-06752-01	1077-06157-01	1090-06620-01			
1093-06753-01	1077-05849-01	1090-06060-02			
1093-06754-01	1077-05827-01	1090-06060-02			
1093-06755-01	1077-05827-01	1090-06060-02			
1093-06759-01	1077-05849-01	1090-06620-01			
1093-06760-01	1077-05849-01	1090-06060-02			
1093-06761-01	1077-05827-01	1090-06060-02			
1093-06762-01	1077-05827-01	1090-06060-02			
1093-06763-01	1077-05826-01	1090-06620-01			
1093-06764-01	1077-05826-01	1090-06060-02			
1093-06765-01	1077-05849-01	1090-06060-02			
1093-06766-01	1077-05826-01	1090-06620-01			
1093-06767-01	1077-05826-02	1090-06620-01			
1093-06768-01	1077-05826-02	1090-06060-02			
1093-06769-01	1077-05826-02	1090-06060-02			
1093-06770-01	1077-05827-01	1090-06620-01			
1093-06771-01	1077-05827-01	1090-06060-02			
1093-06772-01	1077-05849-01	1090-06620-01			
1093-06773-01	1077-05849-01	1090-06060-02			
1093-06774-01	1077-05826-05	1090-06620-01			
1093-06775-01	1077-05849-01	1090-06620-01			
1093-06776-01	1077-05827-02	1090-06620-01			
1093-06777-01	1077-05827-01	1090-06620-01			
1093-06778-01	1077-06165-01	1090-06620-01			
1093-06779-01	1077-06165-02	1090-06620-01			
1093-06780-01	1077-06167-01	1090-06620-01			

# Drive Assembly Components

Drive Assembly	Hub	P/N	Obsolete	Clutch	Replace With
1093-06781-01	1077-06166-01	1090-06620-01			
1093-06782-01	1077-06165-01	1090-06620-01			
1093-06783-01	1077-05827-01	1090-06620-01			
1093-06784-01	1077-06165-01	1090-06620-01			
1093-06785-01	1077-05826-01	1090-06620-01			
1093-06786-01	1077-05827-01	1090-06620-01			
1093-06787-01	1077-05826-01	1090-06620-01			
1093-06788-01	1077-05849-01	1090-06620-01			
1093-06789-01	1077-05826-01	1090-06620-01			
1093-06790-01	1077-05827-01	1090-06620-01			
1093-06791-01	1077-05826-02	1090-06060-02			
1093-06792-01	1077-05826-02	1090-06620-01			
1093-06793-01	1077-05826-04	1090-06620-01			
1093-06794-01	1077-05826-04	1090-06060-01			
1093-06795-01	1077-05826-02	1090-06620-01			
1093-06796-01	1077-05826-01	1090-06060-01			
1093-06797-01	1077-05849-01	1090-06060-01			
1093-06828-01	1077-05849-01	1090-05261-01			
1093-06829-01	1077-05826-02	1090-05262-01			
1093-06831-01	1077-05849-01	1090-06620-01			
1093-06851-01	1077-05826-02	1090-05261-01			
1093-06852-01	1077-05827-01	1090-05261-01			
1093-06862-01	1077-05827-01	1090-05261-01			
1093-06863-01	1077-06167-01	1090-06060-02			
1093-06876-01	1077-05826-05	1090-06620-01			
1093-06878-01	1077-06877-01	1090-06620-01			
1093-06883-01	1077-05849-02	1090-06620-01			
1093-06884-01	1077-05849-01	1090-06620-01			
1093-06885-01	1077-05849-01	1090-06620-01			
1093-06887-01	1077-06167-01	1090-06060-02			
1093-06891-01	1077-06565-02	1090-06620-01			
1093-06892-01	1077-06565-01	1090-06620-01			
1093-06893-01	1077-05826-02	1090-06060-02			
1093-06895-01	1077-05826-02	1090-06620-01			
1093-06895-01	1077-05826-04	1090-06620-01			
1093-06897-01	1077-05849-02	1090-06620-01			
1093-06898-01	1077-05849-02	1090-06620-01			
1093-06903-01	1077-05826-02	1090-06060-02			
1093-06911-01	1077-05826-01	1090-06060-02			
1093-06912-01	1077-05827-02	1090-06620-01			
1093-06915-01	1077-05849-02	1090-06060-02			
1093-06919-01	1077-06165-01	1090-06060-02			
1093-06936-01	1077-05827-01	1090-06060-02			
1093-06950-01	1077-05826-03	1090-06620-01			
1093-06989-01	1077-05849-02	1090-06060-02			
1093-06999-01	1077-05826-02	1090-06060-02			
1093-07001-01	1077-05826-02	1090-06060-02			
1093-07003-01	1077-05849-02	1090-06060-02			
1093-07008-01	1077-05826-02	1090-06060-02			
1093-07021-01	1077-06165-01	1090-06060-02			
1093-07023-01	1077-05826-04	1090-06060-02			
1093-07024-01	1077-05849-01	1090-06620-01			
1093-07025-01	1077-05826-02	1090-06060-02			
1093-07042-01	1077-06149-02	1090-06060-02			
1093-07043-01	1077-05827-01	1090-06060-02			
1093-07044-01	1077-05826-02	1090-06060-02			
1093-07056-01	1077-06127-02	1090-06060-02			
1093-07079-01	1077-05849-02	1090-05262-01			
1093-07082-01	1077-05849-02	1090-06060-02			
1093-07099-01	1077-05826-02	1090-05262-01			
1093-07100-01	1077-06877-01	1090-06620-01			
1093-07101-01	1077-06521-01	1090-07050-01			
1093-07102-01	1077-05849-02	1090-05262-01			
1093-07105-01	1077-05849-01	1090-05262-01			
1093-07109-01	—	1090-06620-01			
1093-07123-01	1077-05849-02	1090-06620-01			
1093-07124-01	1077-05826-02	1090-06060-03			
1093-07125-01	1077-05849-02	1090-06060-03			
1093-07126-01	1077-05849-01	1090-06060-03			
1093-07131-01	1077-07091-01	1090-06060-02			

DRIVE ASSEMBLY COMPONENTS

# Drive Assembly Components

DRIVE ASSEMBLY COMPONENTS

Drive Assembly	Hub	P/N	Obsolete	Clutch	Replace With
1093-07132-01	1077-07091-02	1090-06060-02			
1093-07133-01	1077-07091-03	1090-06060-02			
1093-07157-01	1077-07156-03	1090-06620-01			
1093-07181-01	1077-05826-10	1090-07050-01			
1093-07189-01	1077-05849-01	1090-07050-01			
1093-07190-01	1077-06165-02	1090-07050-01			
1093-07191-01	1077-05827-02	1090-07050-01			
1093-07192-01	1077-06167-01	1090-07050-01			
1093-07193-01	1077-06166-01	1090-07050-01			
1093-07194-01	1077-06565-01	1090-07050-01			
1093-07195-01	1077-06165-01	1090-07050-01			
1093-07197-01	1077-06565-02	1090-07050-01			
1093-07200-01	1077-05849-02	1090-07050-01			
1093-07201-01	1077-05827-01	1090-07050-01			
1093-07213-01	1077-06877-01	1090-06060-02			
1093-07218-01	1077-07070-01	1090-06060-02			
1093-07219-01	1077-07070-02	1090-06060-02			
1093-07220-01	1077-05826-01	1090-07050-01			
1093-07221-01	1077-05826-01	1090-06060-02			
1093-07222-01	1077-05826-01	1090-06060-02			
1093-07224-01	1077-06565-01	1090-07050-01			
1093-07225-01	1077-06565-02	1090-07050-01			
1093-07227-01	1077-06565-01	1090-07050-01			
1093-07228-01	1077-05849-01	1090-06060-02			
1093-07230-01	1077-05827-01	1090-07050-01			
1093-07233-01	1077-07253-01	1090-06060-02			
1093-07235-01	1077-05849-01	1090-07050-01			
1093-07236-01	1077-05849-01	1090-06060-02			
1093-07237-01	1077-05827-01	1090-06060-02			
1093-07240-01	1077-07156-01	1090-06060-02			
1093-07241-01	1077-05849-01	1090-07050-01			
1093-07243-01	1077-06565-03	1090-07050-01			
1093-07254-01	1077-06565-01	1090-07050-01			
1093-07256-01	1077-06565-04	1090-06060-02			
1093-07269-01	1077-06925-02	1090-07050-01			
1093-07300-01	1077-07156-08	1090-07050-01			
1093-07311-01	1077-07156-02	1090-05262-01			
1093-07312-01	1077-07156-02	1090-06060-03			
1093-07316-01	1077-07156-02	1090-06060-03			
1093-07345-01	1077-07156-02	1090-06060-02			
1093-07357-01	1077-05826-02	1090-07050-01			
1093-07358-01	1077-05826-02	1090-07050-01			
1093-07359-01	1077-06925-02	1090-06060-02			
1093-07424-01	1077-05826-02	1090-07050-01			
1093-07463-01	1077-07156-07	1090-08000-01			
1093-07466-01	1077-06565-01	1090-08000-01			
1093-07466-02	1077-06565-02	1090-08000-01			
1093-07467-01	1077-05849-03	1090-08000-01			
1093-07467-02	1077-05849-04	1090-08000-01			
1093-07468-01	1077-07439-15	1090-08000-01			
1093-07468-02	1077-07439-12	1090-08000-01			
1093-07468-03	1077-07439-12	1090-08000-01			
1093-07506-01	1077-07438-12	1090-08000-01			
1093-07509-01	1077-06925-02	1090-08000-01			
1093-07510-01	1077-05849-02	1090-07050-01			
1093-07519-01	1077-07438-03	1090-07050-01			
1093-07521-01	1077-05826-02	1090-08000-01			
1093-07523-01	1077-05826-02	1090-06060-02			
1093-07546-01	1077-07438-03	1090-07050-01			
1093-07547-01	1077-05827-01	1090-08000-01			
1093-07556-01	1077-05826-01	1090-08000-01			
1093-07557-01	1077-05849-01	1090-08000-01			
1093-07558-01	1077-05826-02	1090-08000-01			
1093-07559-01	1077-05826-02	1090-08000-01			
1093-07561-01	1077-05826-02	1090-08000-01			
1093-07562-01	1077-05849-02	1090-08000-01			
1093-07563-01	1077-05849-02	1090-08000-01			
1093-07564-01	1077-05826-02	1090-08000-01			
1093-07565-01	1077-07070-01	1090-08000-01			
1093-07566-01	1077-07070-02	1090-08000-01			

# Drive Assembly Components

Drive Assembly	Clutch			Replace With
	Hub	P/N	Obsolete	
1093-07571-01	1077-05826-02	1090-08000-01		
1093-07572-01	1077-06925-02	1090-08000-01		
1093-07573-01	1077-05826-02	1090-08000-01		
1093-07574-01	1077-05826-02	1090-08000-01		
1093-07575-01	1077-07156-02	1090-08000-01		
1093-07576-01	1077-07156-01	1090-08000-01		
1093-07577-01	1077-07156-02	1090-08000-01		
1093-07578-01	1077-05826-02	1090-08000-01		
1093-07582-01	1077-07253-02	1090-08000-01		
1093-07582-02	1077-07253-02	1090-08000-01		
1093-07584-01	1077-05827-01	1090-08000-01		
1093-07585-01	1077-05827-01	1090-08000-01		
1093-07586-01	1077-06165-01	1090-08000-01		
1093-07587-01	1077-05827-01	1090-08000-01		
1093-07588-01	1077-05827-02	1090-08000-01		
1093-07589-01	1077-05826-02	1090-08000-01		
1093-07590-01	1077-05849-01	1090-08000-01		
1093-07591-01	1077-06521-01	1090-08000-01		
1093-07592-01	1077-05826-01	1090-08000-01		
1093-07593-01	1077-05849-02	1090-08000-01		
1093-07594-01	1077-05827-01	1090-08000-01		
1093-07600-01	1077-06149-02	1090-08000-01		
1093-07601-01	1077-05826-02	1090-08000-01		
1093-07604-01	1077-05849-02	1090-08000-01		
1093-07630-01	1077-05827-01	1090-07050-01		
1093-07637-01	1077-06165-03	1090-08000-01		
1093-07637-01	1077-05827-03	1090-08000-01		
1093-07638-01	1077-06165-03	1090-08000-01		
1093-07641-01	1077-06165-01	1090-07050-01		
1093-07671-01	1077-07438-02	1090-08000-01		
1093-07672-01	1077-05849-04	1090-07050-01		
1093-07673-01	1077-05849-01	1090-07050-01		
1093-07674-01	1077-05827-01	1090-08000-01		
1093-07693-01	1077-06925-02	1090-08000-01		
1093-07731-01	1077-05826-07	1090-08000-01		
1093-07735-03	1077-07735-03	1090-08500-01	•	1090-09500-01
1093-07736-01	1077-07735-01	1090-08500-01	•	1090-09500-01
1093-07736-02	1077-07735-02	1090-08500-01	•	1090-09500-01
1093-07736-04	1077-07735-04	1090-08500-01	•	1090-09500-01
1093-07736-05	1077-07735-05	1090-08500-01	•	1090-09500-01
1093-07736-06	1077-07735-06	1090-08500-01	•	1090-09500-01
1093-07736-07	1077-07735-01	1090-08500-01	•	1090-09500-01
1093-07736-08	1077-07735-02	1090-08500-01	•	1090-09500-01
1093-07736-09	1077-07735-09	1090-08500-01	•	1090-09500-01
1093-07736-10	1077-07735-10	1090-08500-01	•	1090-09500-01
1093-07736-12	1077-07735-12	1090-08500-01	•	1090-09500-01
1093-07736-13	1077-07735-13	1090-08500-01	•	1090-09500-01
1093-07736-14	1077-07735-14	1090-08500-01	•	1090-09500-01
1093-07736-15	1077-07735-15	1090-08500-01	•	1090-09500-01
1093-07740-01	1077-07738-01	1090-08500-01	•	1090-09500-01
1093-07740-02	1077-07738-02	1090-08500-01	•	1090-09500-01
1093-07740-03	1077-07738-03	1090-08500-01	•	1090-09500-01
1093-07740-04	1077-07738-04	1090-08500-01	•	1090-09500-01
1093-07740-06	1077-07738-06	1090-08500-01	•	1090-09500-01
1093-07758-01	1077-07757-01	1090-08500-01	•	1090-09500-01
1093-07758-02	1077-07757-02	1090-08500-01	•	1090-09500-01
1093-07768-01	1077-07767-01	1090-08500-01	•	1090-09500-01
1093-07768-02	1077-07767-02	1090-08500-01	•	1090-09500-01
1093-07768-03	1077-07767-03	1090-08500-01	•	1090-09500-01
1093-07768-04	1077-07767-04	1090-08500-01	•	1090-09500-01
1093-07768-05	1077-07767-05	1090-08500-01	•	1090-09500-01
1093-07768-06	1077-07767-06	1090-08500-01	•	1090-09500-01
1093-07768-07	1077-07767-07	1090-08500-01	•	1090-09500-01
1093-07768-08	1077-07767-08	1090-08500-01	•	1090-09500-01
1093-07768-09	1077-07767-09	1090-08500-01	•	1090-09500-01
1093-07771-01	1077-07770-01	1090-08500-01	•	1090-09500-01
1093-07771-02	1077-07770-02	1090-08500-01	•	1090-09500-01
1093-07771-03	1077-07770-03	1090-08500-01	•	1090-09500-01
1093-07771-05	1077-07770-05	1090-08500-01	•	1090-09500-01
1093-07771-06	1077-07770-06	1090-08500-01	•	1090-09500-01
1093-07771-07	1077-07770-07	1090-08500-01	•	1090-09500-01

DRIVE ASSEMBLY COMPONENTS



# Drive Assembly Components

DRIVE ASSEMBLY COMPONENTS

Drive Assembly	Hub	P/N	Obsolete	Clutch	Replace With
1093-07771-08	1077-07770-08	1090-08500-01	•		1090-09500-01
1093-07771-09	1077-07770-09	1090-08500-01	•		1090-09500-01
1093-07771-10	1077-07770-10	1090-08500-01	•		1090-09500-01
1093-07771-12	1077-07770-12	1090-08500-01	•		1090-09500-01
1093-07794-01	1077-07757-03	1090-08000-01			
1093-07794-02	1077-07757-04	1090-08000-01			
1093-07813-01	1077-07773-01	1090-07050-01			
1093-07813-02	1077-07773-02	1090-08000-01			
1093-07868-01	1077-07867-01	1090-08500-01	•		1090-09500-01
1093-07868-02	1077-07867-02	1090-08500-01	•		1090-09500-01
1093-07868-03	1077-07867-03	1090-08500-01	•		1090-09500-01
1093-07868-04	1077-07867-04	1090-08500-01	•		1090-09500-01
1093-07868-05	1077-07867-05	1090-08500-01	•		1090-09500-01
1093-07868-06	1077-07867-06	1090-08500-01	•		1090-09500-01
1093-07868-07	1077-07867-07	1090-08500-01	•		1090-09500-01
1093-07868-08	1077-07767-08	1090-08500-01	•		1090-09500-01
1093-07868-08	1077-07867-08	1090-08500-01	•		1090-09500-01
1093-07868-09	1077-07767-09	1090-08500-01	•		1090-09500-01
1093-07868-10	1077-07867-10	1090-08500-01	•		1090-09500-01
1093-07868-11	1077-07867-11	1090-08500-01	•		1090-09500-01
1093-07868-12	1077-07867-12	1090-08500-01	•		1090-09500-01
1093-07870-01	1077-07869-01	1090-08500-01	•		1090-09500-01
1093-07870-02	1077-07869-02	1090-08500-01	•		1090-09500-01
1093-07870-03	1077-07869-03	1090-08500-01	•		1090-09500-01
1093-07870-04	1077-07869-04	1090-08500-01	•		1090-09500-01
1093-07896-01	1077-07895-01	1090-08500-01	•		1090-09500-01
1093-07896-02	1077-07895-02	1090-08500-01	•		1090-09500-01
1093-07896-03	1077-07895-03	1090-08500-01	•		1090-09500-01
1093-07896-04	1077-07895-04	1090-08500-01	•		1090-09500-01
1093-07896-05	1077-07895-05	1090-08500-01	•		1090-09500-01
1093-07896-06	1077-07895-06	1090-08500-01	•		1090-09500-01
1093-07896-07	1077-07895-07	1090-08500-01	•		1090-09500-01
1093-07896-08	1077-07895-08	1090-08500-01	•		1090-09500-01
1093-07896-09	1077-07895-09	1090-08500-01	•		1090-09500-01
1093-07896-12	1077-07895-12	1090-08500-01	•		1090-09500-01
1093-07900-01	1077-07899-01	1090-08500-01	•		1090-09500-01
1093-07900-02	1077-07899-02	1090-08500-01	•		1090-09500-01
1093-07900-03	1077-07899-03	1090-08500-01	•		1090-09500-01
1093-07904-01	1077-07903-01	1090-08500-01	•		1090-09500-01
1093-07906-01	1077-07905-01	1090-08500-01	•		1090-09500-01
1093-07906-02	1077-07905-02	1090-08500-01	•		1090-09500-01
1093-07906-03	1077-07905-02	1090-08500-01B	•		1090-09500-01B
1093-07906-04	1077-07905-04	1090-08500-01B	•		1090-09500-01B
1093-07909-01	1077-07908-01	1090-08500-01	•		1090-09500-01
1093-07912-01	1077-07911-01	1090-08500-01	•		1090-09500-01
1093-07928-01	1077-07927-01	1090-08500-01	•		1090-09500-01
1093-07928-02	1077-07927-02	1090-08500-01	•		1090-09500-01
1093-07930-01	1077-07929-01	1090-08500-01	•		1090-09500-01
1093-07930-02	1077-07929-02	1090-08500-01	•		1090-09500-01
1093-07930-03	1077-07929-03	1090-08500-01	•		1090-09500-01
1093-07930-04	1077-07929-04	1090-08500-01	•		1090-09500-01
1093-07930-05	1077-07929-05	1090-08500-01	•		1090-09500-01
1093-07930-06	1077-07929-06	1090-08500-01	•		1090-09500-01
1093-07930-07	1077-07929-07A	1090-08500-01	•		1090-09500-01
1093-07930-08	1077-07929-08	1090-08500-01	•		1090-09500-01
1093-07930-09	1077-07929-08	1090-08500-01	•		1090-09500-01
1093-07930-10	1077-07929-10	1090-08500-01	•		1090-09500-01
1093-07930-12	1077-07929-12	1090-08500-01	•		1090-09500-01
1093-07930-13	1077-07929-13	1090-08500-01	•		1090-09500-01
1093-07930-15	1077-07929-15	1090-08500-01	•		1090-09500-01
1093-07930-16	1077-07929-16	1090-08500-01	•		1090-09500-01
1093-07934-01	1077-07933-01	1090-08500-01	•		1090-09500-01
1093-07934-02	1077-07933-02	1090-08500-01	•		1090-09500-01
1093-07934-03	1077-07933-03	1090-08500-01	•		1090-09500-01
1093-07934-04	1077-07933-04	1090-08500-01B	•		1090-09500-01B
1093-07936-01	1077-07935-01	1090-08500-01	•		1090-09500-01
1093-07936-02	1077-07935-02	1090-08500-01	•		1090-09500-01
1093-07936-02	1077-07935-02	1090-08500-01	•		1090-09500-01
1093-07936-03	1077-07935-03	1090-08500-01	•		1090-09500-01
1093-07936-04	1077-07935-04	1090-08500-01	•		1090-09500-01
1093-07957-01	1077-07956-01	1090-08500-01	•		1090-09500-01

# Drive Assembly Components

Drive Assembly	Hub	P/N	Obsolete	Clutch	Replace With
1093-07957-02	1077-07956-02	1090-08500-01	•		1090-09500-01
1093-07957-03	1077-07956-03	1090-08500-01B	•		1090-09500-01B
1093-07957-04	1077-07956-04	1090-08500-01B	•		1090-09500-01B
1093-07959-01	1077-07958-01	1090-08000-01			
1093-07987-01	1077-07986-01	1090-08500-01	•		1090-09500-01
1093-07987-02	1077-07986-02	1090-08500-01	•		1090-09500-01
1093-08032-01	1077-08031-01	1090-08500-01	•		1090-09500-01
1093-08032-02	1077-08031-02	1090-8500-01B			
1093-08034-01	1077-08033-01	1090-08500-01	•		1090-09500-01
1093-08036-01	1077-08035-01	1090-08500-01	•		1090-09500-01
1093-08040-01	1077-08039-01	1090-08500-01	•		1090-09500-01
1093-08040-02	1077-08039-02	1090-08500-1B	•		1090-09500-1B
1093-08070-01	1077-08069-01	1090-08500-01	•		1090-09500-01
1093-08070-02	1077-08069-02	1090-08500-01	•		1090-09500-01
1093-08072-01	1077-08071-01	1090-08500-01	•		1090-09500-01
1093-08072-02	1077-08071-02	1090-08500-01	•		1090-09500-01
1093-08072-03	1077-08071-03	1090-08500-01	•		1090-09500-01
1093-08072-04	1077-08071-04	1090-08500-01	•		1090-09500-01
1093-08072-05	1077-08071-05	1090-08500-01	•		1090-09500-01
1093-08080-01	1077-08079-01	1090-08500-01	•		1090-09500-01
1093-08080-02	1077-08079-02	1090-08500-01	•		1090-09500-01
1093-08080-03	1077-08079-03	1090-08500-01B	•		1090-09500-01B
1093-08080-04	1077-08079-04	1090-08500-01B	•		1090-09500-01B
1093-08080-05	1077-08079-05	1090-08500-01B	•		1090-09500-01B
1093-08093-01	1077-08092-01	1090-08500-01	•		1090-09500-01
1093-08100-01	1077-08099-01	1090-08500-01	•		1090-09500-01
1093-08100-02	1077-08099-02	1090-08500-01	•		1090-09500-01
1093-08100-03	1077-08099-03	1090-08500-01	•		1090-09500-01
1093-08100-04	1077-08099-04	1090-08500-01	•		1090-09500-01
1093-08100-06	1077-08099-06	1090-08500-01	•		1090-09500-01
1093-08100-07	1077-08099-07	1090-08500-01	•		1090-09500-01
1093-08102-01	1077-08101-01	1090-08500-01	•		1090-09500-01
1093-08102-01A	1077-08101-01A	1090-08500-01B	•		1090-09500-01B
1093-08102-02A	1077-08101-02A	1090-08500-01B	•		1090-09500-01B
1093-08102-03A	1077-08101-03A	1090-08500-01B	•		1090-09500-01B
1093-08102-04A	1077-08101-04A	1090-08500-01B	•		1090-09500-01B
1093-08102-05A	1077-08101-05A	1090-08500-01B	•		1090-09500-01B
1093-08102-06A	1077-08101-06A	1090-08500-01B	•		1090-09500-01B
1093-08114-01	1077-08113-01	1090-08500-02	•		1090-09500-02
1093-08114-02	1077-08113-02	1090-08500-02	•		1090-09500-02
1093-08114-03	1077-08113-03	1090-08500-02	•		1090-09500-02
1093-08116-01	1077-08115-01	1090-08500-01	•		1090-09500-01
1093-08116-02	1077-08115-02	1090-08500-01	•		1090-09500-01
1093-08116-03	1077-08115-03	1090-08500-01	•		1090-09500-01
1093-08116-04	1077-08115-04	1090-08500-01	•		1090-09500-01
1093-08118-01	1077-08117-01	1090-08500-01	•		1090-09500-01
1093-08118-02	1077-08117-02	1090-08500-01	•		1090-09500-01
1093-08122-01	1077-08121-01	1090-08500-03	•		1090-09500-03
1093-08122-02	1077-08121-02	1090-08500-03	•		1090-09500-03
1093-08122-03	1077-08121-03	1090-08500-03	•		1090-09500-03
1093-08124-01	1077-08123-01	1090-08500-01	•		1090-09500-01
1093-08132-01	1077-08131-01	1090-08500-01	•		1090-09500-01
1093-08132-02	1077-08131-02	1090-08500-01	•		1090-09500-01
1093-08134-01	1077-08133-01	1090-08500-01	•		1090-09500-01
1093-08134-02	1077-08133-02	1090-08500-01	•		1090-09500-01
1093-08134-03	1077-08133-03	1090-08500-01	•		1090-09500-01
1093-08162-01	1077-08161-01	1090-08500-02	•		1090-09500-02
1093-08164-01	1077-08163-01	1090-08500-01	•		1090-09500-01
1093-08167-01	1077-08166-01	1090-08500-01	•		1090-09500-01
1093-08167-02	1077-08166-02	1090-08500-01	•		1090-09500-01
1093-08167-03	1077-08166-03	1090-08500-01	•		1090-09500-01
1093-08167-04	1077-08166-04	1090-08500-01	•		1090-09500-01
1093-08172-01	1077-08171-01	1090-08500-01	•		1090-09500-01
1093-08182-01	1077-08181-01	1090-08500-01	•		1090-09500-01
1093-08184-01	1077-08183-01	1090-08500-01	•		1090-09500-01
1093-08192-01	1077-08191-01	1090-08500-01	•		1090-09500-01
1093-08202-01	1077-08201-01	1090-08500-01	•		1090-09500-01
1093-08208-01	1077-08207-01	1090-08500-01	•		1090-09500-01
1093-08208-02	1077-08207-02	1090-08500-01	•		1090-09500-01
1093-08208-03	1077-08207-01	1090-08500-01	•		1090-09500-01
1093-08212-01	1077-08211-01	1090-08500-01	•		1090-09500-01

DRIVE ASSEMBLY COMPONENTS

# Drive Assembly Components

DRIVE ASSEMBLY COMPONENTS

Drive Assembly	Hub	P/N	Obsolete	Clutch	Replace With
1093-08212-02	1077-08211-02	1090-08500-01B	•		1090-09500-01B
1093-08214-01	1077-07770-01	1090-08500-01	•		1090-09500-01
1093-08218-01	1077-08217-01	1090-08500-02	•		1090-09500-02
1093-08218-02	1077-08217-02	1090-08500-02	•		1090-09500-02
1093-08218-03	1077-08217-03	1090-08500-02	•		1090-09500-02
1093-08222-01	1077-08221-01	1090-08500-02	•		1090-09500-02
1093-08226-01	1077-08225-01	1090-08500-01	•		1090-09500-01
1093-08226-02	1077-08225-02	1090-08500-01	•		1090-09500-01
1093-08232-01	1077-08231-01	1090-08500-01	•		1090-09500-01
1093-08235-01	1077-08234-01	1090-08500-01	•		1090-09500-01
1093-08235-02	1077-08234-02	1090-08500-01	•		1090-09500-01
1093-08258-01	1077-08257-01	1090-08500-01	•		1090-09500-01
1093-08258-02	1077-08257-02	1090-08500-01	•		1090-09500-01
1093-08258-03	1077-08257-03	1090-08500-01B	•		1090-09500-01B
1093-08266-01	1077-08265-01	1090-08500-01	•		1090-09500-01
1093-08266-02	1077-08265-02	1090-08500-01	•		1090-09500-01
1093-08266-03	1077-08265-03	1090-08500-01	•		1090-09500-01
1093-08266-04	1077-08265-04	1090-08500-01	•		1090-09500-01
1093-08266-05	1077-08265-05	1090-08500-01B	•		1090-09500-01B
1093-08266-06	1077-08265-06	1090-08500-01	•		1090-09500-01
1093-08268-01	1077-08267-01	1090-08500-01	•		1090-09500-01
1093-08268-02	1077-08267-02	1090-08500-01	•		1090-09500-01
1093-09011-01	1077-09010-01	1090-08500-01	•		1090-09500-01
1093-09013-01	1077-09012-01	1090-08500-01	•		1090-09500-01
1093-09013-02	1077-09012-02	1090-08500-01	•		1090-09500-01
1093-09013-03	—	1090-08500-01	•		1090-09500-01
1093-09013-04	1077-09012-04	1090-08500-01B	•		1090-09500-01B
1093-09016-01	1077-09015-01	1090-08500-01B	•		1090-09500-01B
1093-09016-02	1077-09015-02	1090-08500-01	•		1090-09500-01
1093-09016-03	1077-09015-03	1090-08500-01B	•		1090-09500-01B
1093-09016-04	1077-09015-04	1090-08500-01B	•		1090-09500-01B
1093-09016-05	—	1090-08500-01	•		1090-09500-01
1093-09018-01	1077-09017-01	1090-08500-01	•		1090-09500-01
1093-09020-01	1077-09019-01	1090-08500-01	•		1090-09500-01
1093-09020-02	1077-09019-02	1090-08500-01	•		1090-09500-01
1093-09020-03	1077-09019-03	1090-08500-01	•		1090-09500-01
1093-09020-04	1077-09019-04	1090-08500-01	•		1090-09500-01
1093-09020-05	1077-09019-05	1090-08500-01B	•		1090-09500-01B
1093-09022-01	1077-09021-01	1090-08500-01	•		1090-09500-01
1093-09022-02	1077-09021-02	1090-08500-01	•		1090-09500-01
1093-09022-03	1077-09021-03	1090-08500-01	•		1090-09500-01
1093-09022-04	1077-09021-04	1090-08500-01B	•		1090-09500-01B
1093-09022-05	1077-09021-05	1090-08500-01B	•		1090-09500-01B
1093-09022-06	—	1090-08500-01	•		1090-09500-01
1093-09026-01	1077-09025-01	1090-08500-01	•		1090-09500-01
1093-09028-01	—	1090-08500-01	•		1090-09500-01
1093-09054-01	1077-09053-01	1090-08500-01	•		1090-09500-01
1093-09054-02	1077-09053-02	1090-08500-01	•		1090-09500-01
1093-09054-03	1077-09053-03	1090-08500-01B	•		1090-09500-01B
1093-09054-04	—	1090-08500-01	•		1090-09500-01
1093-09056-01	1077-09055-01	1090-08500-01	•		1090-09500-01
1093-09058-01	1077-09057-01	1090-08500-01	•		1090-09500-01
1093-09060-01	1077-09059-01	1090-08500-01	•		1090-09500-01
1093-09060-02	1077-09059-02	1090-08500-01	•		1090-09500-01
1093-09060-03	1077-09059-03	1090-08500-01	•		1090-09500-01
1093-09060-04	1077-09059-04	1090-08500-01	•		1090-09500-01
1093-09060-05	1077-09059-05	1090-08500-01B	•		1090-09500-01B
1093-09060-06	1077-09059-06	1090-08500-01B	•		1090-09500-01B
1093-09060-07	1077-09059-07	1090-08500-01B	•		1090-09500-01B
1093-09060-08	1077-09059-08	1090-08500-01B	•		1090-09500-01B
1093-09060-09	1077-09059-09	1090-08500-01	•		1090-09500-01
1093-09062-01	—	1090-08500-01	•		1090-09500-01
1093-09062-02	1077-09061-02	1090-08500-03	•		1090-09500-03
1093-09064-01	1077-09063-01	1090-08500-01	•		1090-09500-01
1093-09064-02	1077-09063-02	1090-08500-01	•		1090-09500-01
1093-09064-03	—	1090-08500-01	•		1090-09500-01
1093-09064-04	1077-09063-04	1090-08500-01	•		1090-09500-01
1093-09068-01	1077-09067-01	1090-08500-01	•		1090-09500-01
1093-09068-02	1077-09067-02	1090-08500-01	•		1090-09500-01
1093-09068-03	1077-09067-03	1090-08500-01	•		1090-09500-01
1093-09072-01	1077-09071-01	1090-08500-01	•		1090-09500-01

# Drive Assembly Components

Drive Assembly	Hub	P/N	Clutch	Obsolete	Replace With
1093-09074-02	—	1090-08500-01	•		1090-09500-01
1093-09076-01	1077-09075-01	1090-08500-01	•		1090-09500-01
1093-09076-02	1077-09075-02	1090-08500-01	•		1090-09500-01
1093-09076-03	1077-09075-03	1090-08500-01	•		1090-09500-01
1093-09076-04	1077-09075-04	1090-08500-01	•		1090-09500-01
1093-09076-05	1077-09075-05	1090-08500-01	•		1090-09500-01
1093-09078-01	1077-09077-01	1090-08500-01	•		1090-09500-01
1093-09078-02	1077-09077-02	1090-08500-01	•		1090-09500-01
1093-09078-03	1077-09077-03	1090-08500-01	•		1090-09500-01
1093-09078-04	1077-09077-04	1090-08500-01	•		1090-09500-01
1093-09078-05	—	1090-08500-01	•		1090-09500-01
1093-09078-07	—	1090-08500-01	•		1090-09500-01
1093-09082-01	—	1090-08500-01	•		1090-09500-01
1093-09086-01	1077-09085-01	1090-08500-01	•		1090-09500-01
1093-09086-02	—	1090-08500-01	•		1090-09500-01
1093-09088-01	—	1090-08500-01	•		1090-09500-01
1093-09090-02	1077-09089-02	1090-08500-01	•		1090-09500-01
1093-09090-03	1077-09089-03	1090-08500-01	•		1090-09500-01
1093-09092-01	1077-09091-01	1090-08500-01	•		1090-09500-01
1093-09104-01	1077-09103-01	1090-08500-01	•		1090-09500-01
1093-09112-01	1077-09111-01	1090-08500-01	•		1090-09500-01
1093-09112-02	—	1090-08500-01	•		1090-09500-01
1093-09112-03	—	1090-08500-01	•		1090-09500-01
1093-09114-01	1077-09113-01	1090-08500-01	•		1090-09500-01
1093-09114-02	1077-09113-02	1090-08500-01	•		1090-09500-01
1093-09114-03	1077-09113-03	1090-08500-01	•		1090-09500-01
1093-09114-04	1077-09113-04	1090-08500-01	•		1090-09500-01
1093-09117-01	1077-09116-01	1090-08500-01	•		1090-09500-01
1093-09117-02	1077-09116-02	1090-08500-01	•		1090-09500-01
1093-09117-03	1077-09116-03	1090-08500-01	•		1090-09500-01
1093-09117-04	1077-09116-04	1090-08500-01	•		1090-09500-01
1093-09117-05	1077-09116-05	1090-08500-01	•		1090-09500-01
1093-09117-07	1077-09116-07	1090-08500-01	•		1090-09500-01
1093-09117-08	1077-09116-08	1090-08500-01	•		1090-09500-01
1093-09117-10	1077-09116-10	1090-08500-01	•		1090-09500-01
1093-09119-01	1077-09118-01	1090-08500-01	•		1090-09500-01
1093-09119-02	1077-09118-02	1090-08500-01	•		1090-09500-01
1093-09119-03	1077-09118-03	1090-08500-01	•		1090-09500-01
1093-09119-04	1077-09118-04	1090-08500-01	•		1090-09500-01
1093-09119-05	1077-09118-05	1090-08500-01	•		1090-09500-01
1093-09121-01	1077-09120-01	1090-08500-01	•		1090-09500-01
1093-09121-02	1077-09120-02	1090-08500-01	•		1090-09500-01
1093-09121-03	1077-09120-03	1090-08500-01	•		1090-09500-01
1093-09121-05	1077-09120-05	1090-08500-01	•		1090-09500-01
1093-09121-06	1077-09120-06	1090-08500-01	•		1090-09500-01
1093-09123-01	1077-09122-01	1090-08500-01	•		1090-09500-01
1093-09123-02	1077-09122-02	1090-08500-01	•		1090-09500-01
1093-09123-03	1077-09122-03	1090-08500-01	•		1090-09500-01
1093-09123-04	1077-09122-04	1090-08500-01	•		1090-09500-01
1093-09125-01	1077-09124-01	1090-08500-01	•		1090-09500-01
1093-09125-02	1077-09124-02	1090-08500-01	•		1090-09500-01
1093-09125-03	1077-09124-03	1090-08500-01B	•		1090-09500-01B
1093-09127-01	1077-09126-01	1090-08500-01	•		1090-09500-01
1093-09127-02	—	1090-08500-01	•		1090-09500-01
1093-09127-03	—	1090-08500-01	•		1090-09500-01
1093-09129-01	1077-09128-01	1090-08500-01	•		1090-09500-01
1093-09129-02	1077-09128-02	1090-08500-01	•		1090-09500-01
1093-09129-03	1077-09128-03	1090-08500-01	•		1090-09500-01
1093-09129-04	1077-09128-04	1090-08500-01	•		1090-09500-01
1093-09129-05	—	1090-08500-01	•		1090-09500-01
1093-09129-06	—	1090-08500-01	•		1090-09500-01
1093-09129-07	—	1090-08500-01	•		1090-09500-01
1093-09129-08	—	1090-08500-01	•		1090-09500-01
1093-09129-09	—	1090-08500-01	•		1090-09500-01
1093-09129-12	—	1090-08500-01	•		1090-09500-01
1093-09132-01	—	1090-08500-01	•		1090-09500-01
1093-09160-01	1077-09159-01	1090-08500-01B	•		1090-09500-01B
1093-09160-02	1077-09159-02	1090-08500-01B	•		1090-09500-01B
1093-09163-01	1077-09162-01	1090-08500-01	•		1090-09500-01
1093-09173-01	1077-09174-01	1090-08500-01B	•		1090-09500-01B
1093-09177-01	—	1090-08500-01	•		1090-09500-01

DRIVE ASSEMBLY COMPONENTS

# Drive Assembly Components

DRIVE ASSEMBLY COMPONENTS

Drive Assembly	Hub	P/N	Obsolete	Clutch	Replace With
1093-09177-02	1077-09176-02	1090-08500-01	•		1090-09500-01
1093-09177-03	—	1090-08500-01	•		1090-09500-01
1093-09177-04	—	1090-08500-01	•		1090-09500-01
1093-09180-01	1077-09179-01	1090-08500-01	•		1090-09500-01
1093-09189-01	—	1090-08500-01	•		1090-09500-01
1093-09189-02	—	1090-08500-01	•		1090-09500-01
1093-09189-03	—	1090-08500-01	•		1090-09500-01
1093-09193-01	1077-09192-01	1090-08500-01	•		1090-09500-01
1093-09208-01	1077-09207-01	1090-08500-02B	•		1090-09500-02B
1093-09210-01	1077-09209-01	1090-08500-01B	•		1090-09500-01B
1093-09213-01	—	1090-08500-01	•		1090-09500-01
1093-09215-01	1077-09214-01	1090-08500-01B	•		1090-09500-01B
1093-09219-01	1077-09218-01	1090-08500-01	•		1090-09500-01
1093-09219-02	1077-09218-02	1090-08500-01	•		1090-09500-01
1093-09221-01	1077-09220-01	1090-08500-01	•		1090-09500-01
1093-09221-02	1077-09220-02	1090-08500-01	•		1090-09500-01
1093-09224-01	1077-09223-01	1090-08500-01	•		1090-09500-01
1293-07736-04	1077-07735-04	1090-09500-01			
1293-07736-05	1077-07735-05	1090-09500-01			
1293-07768-04	1077-07767-04	1090-09500-01			
1293-07771-02	1077-07770-02	1090-09500-01			
1293-07771-09	1077-07770-09	1090-09500-01			
1293-07771-13	1077-07770-13	1090-09500-01			
1293-07771-14	—	1090-09500-01			
1293-07987-01	1077-07986-01	1090-09500-01			
1293-08080-07	1077-08079-07	1090-09500-01			
1293-08100-08	1077-08099-08	1090-09500-01			
1293-09013-05	—	1090-09500-01			
1293-09013-06	—	1090-09500-01			
1293-09022-06	1077-09021-06	1090-09500-01			
1293-09054-02	1077-09053-02	1090-09500-01			
1293-09060-09	1077-09059-09	1090-09500-01			
1293-09060-10	1077-09059-10	1090-09500-01			
1293-09068-04	1077-09067-04	1090-09500-01			
1293-09076-01	1077-09075-01	1090-09500-01			
1293-09078-05	1077-09077-05	TB3437			
1293-09078-06	1077-09077-06	1090-09500-01			
1293-09086-01	1077-09085-01	1090-09500-01			
1293-09086-02	—	1090-09500-01			
1293-09086-03	1077-09085-03	1090-09500-01			
1293-09090-02	1077-09089-02	1090-09500-01			
1293-09114-01	1077-09113-05	1090-09500-01			
1293-09119-01	1077-09118-01	1090-09500-01			
1293-09119-04	1077-09118-04	1090-09500-01			
1293-09119-05	1077-09118-08	1090-09500-01B			
1293-09119-06	—	1090-09500-01			
1293-09119-07	1077-09118-09	1090-09500-01			
1293-09119-08	1077-09118-10	1090-09500-01			
1293-09119-09	—	1090-09500-01			
1293-09119-10	—	1090-09500-01			
1293-09121-01	1077-09120-01	1090-09500-01			
1293-09121-03	1077-09120-03	1090-09500-01			
1293-09121-05	1077-09120-05	1090-09500-01			
1293-09121-06	1077-09120-06	1090-09500-01			
1293-09121-07	1077-09120-08	1090-09500-01			
1293-09121-08	—	1090-09500-01			
1293-09121-09	—	1090-09500-01			
1293-09121-10	—	1090-09500-01			
1293-09123-05	1077-09122-07	1090-09500-01B			
1293-09123-06	1077-09122-08	1090-09500-01			
1293-09123-07	—	1090-09500-01			
1293-09123-08	—	1090-09500-01			
1293-09127-02	—	1090-09500-01			
1293-09127-04	1077-09126-04	1090-09500-01			
1293-09127-05	1077-09347-01	1090-09500-01			
1293-09127-06	1077-09126-05	1090-09500-01			
1293-09127-07	1077-09126-06	1090-09500-01			
1293-09127-08	—	1090-09500-01			
1293-09129-04	1077-09128-04	1090-09500-01			
1293-09129-13	1077-09128-09	1090-09500-01			

# Drive Assembly Components

Drive Assembly	Hub	P/N	Clutch	Obsolete	Replace With
1293-09129-14	1077-09128-10	1090-09500-01			
1293-09129-15	1077-09128-12	1090-09500-01			
1293-09129-16	—	1090-09500-01			
1293-09129-17	—	1090-09500-01			
1293-09173-02	1077-09172-02	1090-09500-01			
1293-09177-03	1077-09176-03	1090-09500-01			
1293-09177-04	—	1090-09500-01			
1293-09177-05	1077-09176-06	1090-09500-01			
1293-09189-01	1077-09188-01	1090-09500-01			
1293-09189-02	1077-09188-02	1090-09500-01			
1293-09189-03	1077-09188-03	1090-09500-01			
1293-09210-02	1077-09209-02	1090-09500-01			
1293-09215-02	1077-09214-02	1090-09500-01			
1293-09238-01	—	1090-09500-01			
1293-09240-01	—	1090-09500-01			
1293-09242-01	1077-09241-01	1090-09500-01			
1293-09245-01	1077-09246-01	1090-09500-01			
1293-09248-01	1077-09247-01	1090-09500-01			
1293-09256-01	1077-09255-01	1090-09500-01			
1293-09256-02	1077-09255-02	1090-09500-01			
1293-09262-01	1077-09261-01	1090-09500-01			
1293-09262-02	1077-09261-02	1090-09500-01			
1293-09262-03	1077-09261-03	1090-09500-01			
1293-09269-01	010020485	1090-09500-01			
1293-09270-01	010020392	1090-09500-01			
1293-09272-01	1077-09271-01	1090-09500-01			
1293-09274-01	1077-09273-01	1090-09500-01			
1293-09276-01	1077-09275-01	1090-09500-01			
1293-09278-01	1077-09277-01	1090-09500-01			
1293-09280-01	1077-09279-01	1090-09500-01			
1293-09282-01	1077-09281-01	1090-09500-01			
1293-09284-01	1077-09283-01	1090-09500-01			
1293-09288-01	1077-09287-01	1090-09500-01			
1293-09290-01	1077-09289-01	1090-09500-01			
1293-09292-01	1077-09291-01	1090-09500-01			
1293-09293-01	1077-09294-01	1090-09500-01			
1293-09298-01	1077-09297-01	1090-09500-01			
1293-09298-02	—	1090-09500-01			
1293-09300-01	1077-09299-01	1090-09500-01			
1293-09300-02	—	1090-09500-01			
1293-09302-01	1077-09301-01	1090-09500-01			
1293-09304-01	1077-09303-01	1090-09500-01			
1293-09304-02	1077-09303-02	1090-09500-01			
1293-09304-03	1077-09303-03	1090-09500-01			
1293-09304-04	1077-09303-04	1090-09500-01			
1293-09304-05	1077-09303-05	1090-09500-01			
1293-09304-06	1077-09303-06	1090-09500-01			
1293-09304-07	1077-09303-07	1090-09500-01			
1293-09304-08	1077-09303-08	1090-09500-01			
1293-09304-09	1077-09303-09	1090-09500-01			
1293-09304-10	1077-09303-10	1090-09500-01			
1293-09309-02	1077-09308-02	1090-09500-01			
1293-09311-01	1077-09310-01	1090-09500-01			
1293-09314-01	1077-09313-01	1090-09500-01			
1293-09316-01	1077-09315-01	1090-09500-01			
1293-09318-01	1077-09317-01	1090-09500-01			
1293-09320-01	1077-09319-01	1090-09500-01			
1293-09321-01	1077-09322-01	1090-09500-01			
1293-09322-01	—	1090-09500-01			
1293-09324-01	1077-09323-01	1090-09500-01			
1293-09328-01	—	1090-09500-01			
1293-09334-01	1077-09333-01	1090-09500-01			
1293-09344-01	1077-09143-01	1090-09500-01			
1293-09348-01	—	1090-09500-01			
1293-09352-01	1077-09351-01	1090-09500-01			
1293-09355-01	1077-09354-01	1090-09500-01			
1293-09355-02	1077-09355-02	1090-09500-01			
1293-09360-01	1077-09359-01	1090-09500-01			
1293-09362-01	1077-09361-01	1090-09500-01			
1293-09364-01	1077-09363-01	1090-09500-01			

DRIVE ASSEMBLY COMPONENTS

## Drive Assembly Components

Drive Assembly	Hub	P/N	Obsolete	Clutch	Replace With
1293-09370-01	1077-09369-01	1090-09500-01			
1293-09370-02	1077-09369-02	1090-09500-01			
1293-09374-01	1077-09373-01	1090-09500-01			

4100-39240-01 – 4100-42264-01

MOUNTING ASSEMBLY	ENGINE
<b>Casting 4100-39240-01</b>	
1077-07933-03	Cummins
1077-07933-04	Cummins
1077-07933-02	Cummins
<b>Casting 4100-41625-01</b>	
1077-07905-01	DDE
1077-07905-02	DDE
1077-07905-04	DDE
1077-09059-01	DDE
1077-09059-02	DDE
1077-09059-03	DDE
1077-09059-04	DDE
1077-09059-05	DDE
1077-09059-06	DDE
1077-09059-07	DDE
1077-09059-08	DDE
1077-09351-01	DDE
<b>Casting 4100-41714-01</b>	
1077-09067-01	Cat
1077-09067-02	Cat
1077-09067-03	Cat
1077-09067-04	Cat
<b>Casting 4100-41767-01</b>	
1077-07738-01	Cummins
1077-07738-02	Cummins
1077-07738-03	Cummins
1077-07738-04	Cummins
1077-07738-06	Cummins
1077-07738-07	Cummins
<b>Casting 4100-42157-01</b>	
1077-09176-02	Cummins
1077-09176-03	Cummins
1077-09176-04	Cummins
1077-09176-06	Cummins
<b>Casting 4100-42174-01</b>	
1077-07735-01	DDE
1077-07735-02	DDE
1077-07735-03	DDE
1077-07735-04	DDE
1077-07735-05	DDE
1077-07735-06	DDE
1077-07735-09	DDE
1077-07735-10	DDE
1077-07735-12	DDE
1077-07735-13	DDE
1077-07735-14	DDE
1077-07735-15	DDE
1077-07773-01	DDE
1077-07773-02	DDE
1077-07895-01	DDE
1077-07895-02	DDE
<b>Casting 4100-42174-01</b>	
1077-07895-03	DDE
1077-07895-04	DDE
1077-07895-05	DDE
1077-07895-06	DDE
1077-07895-07	DDE
1077-07895-08	DDE
1077-07895-09	DDE
1077-07895-12	DDE
1077-09059-09	DDE
1077-09179-01	DDE
1077-07958-01	DDE

MOUNTING ASSEMBLY	ENGINE
<b>Casting 4100-42203-01</b>	
1077-07767-01	Cat
1077-07767-02	Cat
1077-07767-03	Cat
1077-07767-04	Cat
1077-07767-05	Cat
1077-07767-06	Cat
1077-07767-07	Cat
1077-07767-08	Cat
1077-07767-09	Cat
1077-07869-01	Cat
1077-07869-02	Cat
1077-07869-03	Cat
1077-07869-04	Cat
<b>Casting 4100-42238-01</b>	
1077-07757-01	Cummins
1077-07757-02	Cummins
1077-07757-03	Cummins
1077-07757-04	Cummins
1077-07867-01	Cummins
1077-07867-02	Cummins
1077-07867-03	Cummins
1077-07867-04	Cummins
1077-07867-05	Cummins
1077-07867-06	Cummins
1077-07867-07	Cummins
1077-07867-08	Cummins
1077-07867-09	Cummins
1077-07867-10	Cummins
1077-07867-11	Cummins
1077-07867-12	Cummins
1077-09071-01	Cummins
<b>Casting 4100-42250-01</b>	
1077-07908-01	Cat
<b>Casting 4100-42260-01</b>	
1077-07903-01	Cat
<b>Casting 4100-42264-01</b>	
1077-07929-01	Cat
1077-07929-03	Cat
1077-07929-04	Cat
1077-07929-05	Cat
1077-07929-06	Cat
1077-07929-07	Cat
1077-07929-07A	Cat
1077-07929-08	Cat
1077-07929-09	Cat
1077-07929-10	Cat
1077-07929-12	Cat
1077-07929-13	Cat
1077-07929-15	Cat
1077-07929-16	Cat
1077-07929-17	Cat
1077-07929-18	Cat
1077-08092-01	Cat
1077-08092-02B	Cat
1077-09083-01B	Cat
1077-07929-01	Cummins
1077-07929-02	Cummins
1077-07929-03	Cummins
1077-07929-04	Cummins
1077-07929-05	Cummins
1077-07929-06	Cummins
1077-07929-07	Cummins

MOUNTING ASSEMBLY CASTINGS



4100-42264-01 – 4100-42836-01

MOUNTING ASSEMBLY CASTINGS

MOUNTING ASSEMBLY	ENGNE
<b>Casting 4100-42264-01 continued</b>	
1077-07929-07A	Cummins
1077-07929-08	Cummins
1077-07929-09	Cummins
1077-07929-10	Cummins
1077-07929-12	Cummins
1077-07929-13	Cummins
1077-07929-15	Cummins
1077-07929-16	Cummins
1077-07929-17	Cummins
1077-07929-18	Cummins
1077-08092-01	Cummins
1077-08092-02B	Cummins
1077-09083-01B	Cummins
<b>Casting 4100-42270-01</b>	
1077-07770-01	Cat
1077-07770-02	Cat
1077-07770-02A	Cat
1077-07770-03	Cat
1077-07770-05	Cat
1077-07770-06	Cat
1077-07770-06A	Cat
1077-07770-07	Cat
1077-07770-08	Cat
1077-07770-09	Cat
1077-07770-10	Cat
1077-07770-12	Cat
1077-07770-13	Cat
1077-09061-02	Cat
<b>Casting 4100-42274-01</b>	
1077-07899-01	Cummins
1077-07899-01A	Cummins
1077-07899-02	Cummins
1077-07899-03	Cummins
1077-08231-01	Cummins
<b>Casting 4100-42322-01</b>	
1077-07927-01	Cummins
1077-07927-02	Cummins
<b>Casting 4100-42328-01</b>	
1077-07933-01	Cummins
<b>Casting 4100-42342-01</b>	
1077-07935-01	Cat
1077-07935-02	Cat
1077-07935-03	Cat
1077-07935-04	Cat
<b>Casting 4100-42350-01</b>	
1077-07956-01	DDE
1077-07956-01A	DDE
1077-07956-02	DDE
1077-07956-03	DDE
1077-07956-04	DDE
<b>Casting 4100-42474-01</b>	
1077-07986-01	Cummins
1077-07986-02	Cummins
1077-08035-01	Cummins
1077-08035-01A	Cummins
1077-09017-01	Cummins
<b>Casting 4100-42653-01</b>	
1077-08191-01	Cummins
1077-08201-01	Cummins
<b>Casting 4100-42669-01</b>	
1077-07911-01	Cummins
1077-07911-01A	Cummins

MOUNTING ASSEMBLY	ENGNE
<b>Casting 4100-42684-01</b>	
1077-08039-01	Cummins
1077-08039-01A	Cummins
1077-08039-02	Cummins
<b>Casting 4100-42717-01</b>	
1077-08069-01	Cat
1077-08069-02	Cat
<b>Casting 4100-42762-01</b>	
1077-08071-01	Cat
1077-08071-02	Cat
1077-08071-03	Cat
1077-08071-04	Cat
1077-08071-05	Cat
<b>Casting 4100-42768-01</b>	
1077-08031-01	Cat
1077-08031-01A	Cat
<b>Casting 4100-42773-01</b>	
1077-08033-01	Cat
1077-08033-01A	Cat
<b>Casting 4100-42826-01</b>	
1077-08096-01	Mack
<b>Casting 4100-42836-01</b>	
1077-08079-01	Cummins
1077-08079-02	Cummins
1077-08079-03	Cummins
1077-08079-04	Cummins
1077-08079-05	Cummins
1077-08079-05A	Cummins
1077-08079-06A	Cummins
1077-08079-07	Cummins
1077-08099-01	Cummins
1077-08099-02	Cummins
1077-08099-03	Cummins
1077-08099-04	Cummins
1077-08099-06	Cummins
1077-08099-07	Cummins
1077-08099-08	Cummins
1077-08099-11B	Cummins
1077-09116-01	Cummins
1077-09116-02	Cummins
1077-09116-03	Cummins
1077-09116-04	Cummins
1077-09116-05	Cummins
1077-09116-06	Cummins
1077-09116-07	Cummins
1077-09116-08	Cummins
1077-09116-09	Cummins
1077-09116-10	Cummins
1077-09116-11	Cummins
1077-09116-14	Cummins
1077-09116-15	Cummins
1077-09116-16	Cummins
1077-09116-17	Cummins
1077-09116-18	Cummins
1077-09116-19	Cummins
1077-09118-08	Cummins
1077-09118-09	Cummins
1077-09118-10	Cummins
1077-09120-08	Cummins
1077-09122-07	Cummins
1077-09122-08	Cummins
1077-09218-01	Cummins
1077-09218-02	Cummins

4100-42836-01 – 4100-43594-01

MOUNTING ASSEMBLY	ENGINE
<b>Casting 4100-42836-01</b>	
1077-09220-01	Cummins
1077-09329-01	Cummins
1077-09333-01	Cummins
<b>Casting 4100-42836-02</b>	
1077-08099-09B	Cummins
<b>Casting 4100-42840-01</b>	
1077-08101-01	Volvo
1077-08101-01A	Volvo
1077-08101-02A	Volvo
1077-08101-04A	Volvo
<b>Casting 4100-42840-02</b>	
1077-08101-03A	Volvo
1077-08101-06A	Volvo
<b>Casting 4100-42899-01</b>	
1077-08131-01	Cat
1077-08131-02	Cat
<b>Casting 4100-42967-01</b>	
1077-08115-01	Cat
1077-08115-02	Cat
1077-08115-03	Cat
1077-08115-04	Cat
<b>Casting 4100-43005-01</b>	
1077-08113-01	DDE
1077-08113-02	DDE
1077-08113-03	DDE
1077-08217-01	DDE
1077-08217-02	DDE
1077-08217-03	DDE
1077-09207-01	DDE
1077-09313-01	DDE
<b>Casting 4100-43017-01</b>	
1077-08121-01	Cummins
1077-08121-02	Cummins
1077-08121-03	Cummins
<b>Casting 4100-43041-01</b>	
1077-08267-01	Cummins
1077-08267-02	Cummins
<b>Casting 4100-43043-01</b>	
1077-08133-01	Cat
1077-08133-02	Cat
1077-08133-03	Cat
<b>Casting 4100-43047-01</b>	
1077-08123-01	Cat
<b>Casting 4100-43051-01</b>	
1077-08163-01	Ford
<b>Casting 4100-43053-01</b>	
1077-08161-01	DDE
1077-08221-01	DDE
1077-09315-01	DDE
<b>Casting 4100-43059-01</b>	
1077-08166-01	Cat
1077-08166-02	Cat
1077-08166-03	Cat
1077-08166-04	Cat
1077-08166-04A	Cat
1077-09057-01	Cat
1077-09057-01B	Cat
<b>Casting 4100-43126-01</b>	
1077-08207-01	DDE
1077-08207-02	DDE
<b>Casting 4100-43153-01</b>	
1077-08181-01	DDE

MOUNTING ASSEMBLY	ENGINE
<b>Casting 4100-43155-01</b>	
1077-08183-01	DDE
<b>Casting 4100-43162-01</b>	
1077-08234-01	Cummins
1077-08234-01A	Cummins
1077-08234-02	Cummins
<b>Casting 4100-43166-01</b>	
1077-08211-01	Cat
1077-08211-02	Cat
<b>Casting 4100-43168-01</b>	
1077-08225-01	Cummins
1077-08225-02	Cummins
<b>Casting 4100-43225-01</b>	
1077-08257-01	Cat
1077-08257-03	Cat
<b>Casting 4100-43235-01</b>	
1077-08265-06	Cat
1077-08265-01	Cat
1077-08265-02	Cat
1077-08265-03	Cat
1077-08265-04	Cat
1077-08265-05	Cat
1077-08267-01	Cummins
1077-08267-02	Cummins
<b>Casting 4100-43338-01</b>	
1077-09012-01	Cummins
1077-09012-02	Cummins
1077-09012-04	Cummins
<b>Casting 4100-43371-02</b>	
1077-09021-01	Cat
1077-09021-02	Cat
1077-09021-03	Cat
1077-09021-04	Cat
1077-09021-05	Cat
1077-09021-06	Cat
1077-09283-01	Cat
1077-09294-01	Cat
1077-09323-01	Cat
<b>Casting 4100-43409-01</b>	
1077-09010-01	Cummins
<b>Casting 4100-43421-01</b>	
1077-09019-01	Cummins
1077-09019-02	Cummins
1077-09019-03	Cummins
1077-09019-04	Cummins
1077-09019-05	Cummins
1077-09055-01	Cummins
1077-09297-01	Cummins
<b>Casting 4100-43426-01</b>	
1077-09015-01	Cat
1077-09015-02	Cat
1077-09015-03	Cat
1077-09015-04	Cat
1077-09162-01	Cat
<b>Casting 4100-43459-01</b>	
1077-09025-01	DDE
<b>Casting 4100-43563-01</b>	
1077-09063-01	Cummins
1077-09063-02	Cummins
1077-09063-04	Cummins
<b>Casting 4100-43594-01</b>	
1077-09075-01	Cummins
1077-09075-02	Cummins

MOUNTING ASSEMBLY CASTINGS

# 4100-43594-01 – 4100-44070-01

MOUNTING ASSEMBLY CASTINGS

MOUNTING ASSEMBLY	ENGNE
<b>Casting 4100-43594-01 continued</b>	
1077-09075-03	Cummins
1077-09075-04	Cummins
1077-09075-05	Cummins
<b>Casting 4100-43627-01</b>	
1077-09085-01	Cat
<b>Casting 4100-43627-02</b>	
1077-09085-03	N/A
<b>Casting 4100-43631-01</b>	
1077-09089-03	Cat
1077-09089-02	Cat
<b>Casting 4100-43631-03</b>	
1077-09303-01	Cat
1077-09303-02	Cat
1077-09303-03	Cat
1077-09303-04	Cat
1077-09303-05	Cat
1077-09303-06	Cat
1077-09303-07	Cat
1077-09303-08	Cat
1077-09303-09	Cat
1077-09303-10	Cat
<b>Casting 4100-43642-01</b>	
1077-09077-01	Cummins
1077-09077-02	Cummins
1077-09077-03	Cummins
1077-09077-04	Cummins
1077-09077-06	Cummins
<b>Casting 4100-43644-01</b>	
1077-09053-01	Cummins
1077-09053-02	Cummins
1077-09053-03	Cummins
<b>Casting 4100-43648-01</b>	
1077-09091-01	DDE
1077-09103-01	DDE
<b>Casting 4100-43658-01</b>	
1077-09118-01	Cummins
1077-09118-02	Cummins
1077-09118-03	Cummins
1077-09118-04	Cummins
1077-09118-05	Cummins
1077-09118-06	Cummins
1077-09118-07	Cummins
1077-09120-01	Cummins
1077-09120-02	Cummins
1077-09120-03	Cummins
1077-09120-04	Cummins
1077-09120-05	Cummins
1077-09120-06	Cummins
1077-09120-07	Cummins
1077-09122-01	Cummins
1077-09122-02	Cummins
1077-09122-03	Cummins
1077-09122-04	Cummins
1077-09122-05	Cummins
1077-09122-06	Cummins
1077-09124-01	Cummins
1077-09124-02	Cummins
1077-09124-03	Cummins
1077-09124-04	Cummins
1077-09220-02	Cummins

MOUNTING ASSEMBLY	ENGNE
<b>Casting 4100-43668-01</b>	
1077-09111-01	Cummins
1077-09111-03	Cummins
<b>Casting 4100-43673-01</b>	
1077-09113-01	Cummins
1077-09113-02	Cummins
1077-09113-03	Cummins
1077-09308-02	Cummins
<b>Casting 4100-43690-01</b>	
1077-09188-01	Cummins
1077-09188-02	Cummins
1077-09188-03	Cummins
<b>Casting 4100-43698-01</b>	
1077-09247-01	Cummins
<b>Casting 4100-43748-01</b>	
1077-09159-01	International
1077-09159-02	International
<b>Casting 4100-43759-01</b>	
1077-09172-01	Cummins
1077-09172-02	Cummins
<b>Casting 4100-43763-01</b>	
1077-09252-01B	Cummins
<b>Casting 4100-43790-01</b>	
1077-09174-01	Cat
<b>Casting 4100-43860-01</b>	
1077-09277-01	Cummins
<b>Casting 4100-43864-01</b>	
1077-09241-01	N/A
<b>Casting 4100-43870-01</b>	
1077-09279-01	Cummins
1077-09319-01	Cummins
<b>Casting 4100-43894-01</b>	
1077-09126-01	Cummins
1077-09126-05	Cummins
1077-09347-01	Cummins
<b>Casting 4100-43894-02</b>	
1077-09126-04	Cummins
<b>Casting 4100-43896-01</b>	
1077-09128-01	Cummins
1077-09128-02	Cummins
1077-09128-03	Cummins
1077-09128-04	Cummins
1077-09128-09	Cummins
1077-09128-10	Cummins
1077-09128-12	Cummins
<b>Casting 4100-43903-01</b>	
1077-09113-04	Cummins
<b>Casting 4100-43905-01</b>	
1077-09209-01	Cummins
<b>Casting 4100-43920-01</b>	
1077-09214-01	Cummins
1077-09214-02	Cummins
<b>Casting 4100-43926-01</b>	
1077-09192-01	DDE
<b>Casting 4100-43941-01</b>	
1077-09223-01	Mercedes
<b>Casting 4100-44070-01</b>	
1077-09255-01	Cat
1077-09255-02	Cat
1077-09317-01	Cat
1077-09335-01B	Cat
1077-09338-01B	Cat

4100-44084-01 – 4100-44254-01

MOUNTING ASSEMBLY	ENGINE
Casting 4100-44084-01	
1077-09261-01	Volvo
1077-09261-02	Volvo
1077-09261-03	Volvo
Casting 4100-44102-01	
1077-09281-01	Cummins
Casting 4100-44107-01	
1077-09113-05	N/A
Casting 4100-44121-01	
1077-09287-01	Detroit
Casting 4100-44125-01	
1077-09289-01	Detroit
Casting 4100-44128-01	
1077-09273-01	Cat
Casting 4100-44130-01	
1077-09271-01	Cat
Casting 4100-44133-01	
1077-09291-01	Cat

MOUNTING ASSEMBLY	ENGINE
Casting 4100-44138-01	
1077-09299-01	Cummins
Casting 4100-44152-01	
1077-09310-01	Cummins
Casting 4100-44176-01	
1077-09322-01	Cat
Casting 4100-44227-01	
1077-09209-02	Cummins
Casting 4100-44235-01	
1077-09359-01	Cummins
Casting 4100-44237-01	
1077-09363-01	Cummins
Casting 4100-44241-01	
1077-09361-01	Cummins
Casting 4100-44250-01	
1077-09369-01	Cummins
1077-09369-02	Cummins
Casting 4100-44254-01	
1077-09373-01	N/A

## On/Off Maintenance Kits & Repair Parts

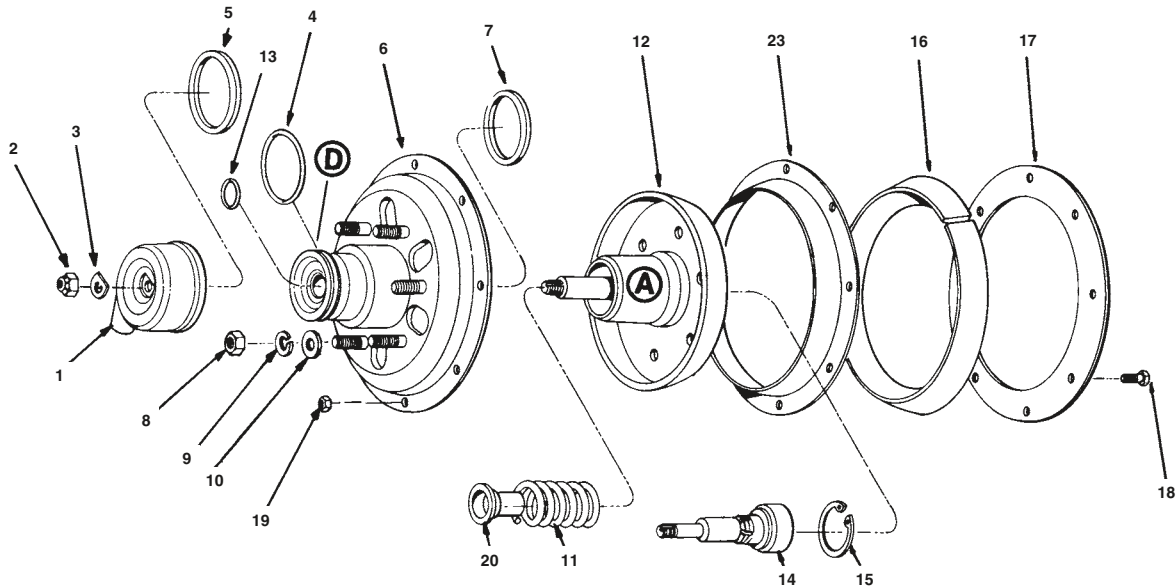
Clutch Model	Part#	Seal & Lining Kit	Lining Kit	Seal Kit	Cylinder Assembly	Housing Assembly	Shaft Assembly	Piston Rod Assembly
K26RA	1090-09500-01	1033-09339-01	1033-09340-01	1033-08233-01	4043-41795-01	4040-41131-03	4079-43817-13	4079-42079-01
	1090-09500-03						4079-43817-16	
K22RA	1090-08500-01	1033-05435-03	1033-08250-01	1033-08233-01	4043-41795-01	4040-41131-13	4079-41132-13	4079-42079-11
	1090-08500-02					4040-41131-14	4079-41132-13	
	1090-08500-03					4040-41131-13	4079-41132-16	
K22FA	1090-08000-01	1033-05435-02	1033-08250-01	—	4043-41130-01	4040-41131-01	4079-41132-01	4079-41133-01
	1090-08000-02					4040-41131-01	4079-41132-02	
	1090-08000-03					4040-41131-02	4079-41132-01	
	1090-08000-04					4040-41131-02	4079-41132-04	
	1090-08000-05					4040-41131-01	4079-41132-05	
D-8	1090-07050-01	1033-05434-02	—	—	4043-40639-01	4040-40640-01	4079-40641-01	4079-40642-01
	1090-07050-02					—	—	
	1090-07050-03					4040-40640-01	4079-40641-02	
	1090-07050-04					4040-40640-01	4079-40641-03	
4208S	1090-06620-01	1033-05434-01	—	—	4043-38443-01	—	—	4079-38614-01
	1090-06620-02							
	1090-06620-03							
Note: Clutch obsolete: Clutch obsolete: replace with 1090-07050-XX								
4212S	1090-06060-02	1033-05435-01	—	—	4043-38443-01	—	—	4079-38614-01
	1090-06060-03							
	1090-06060-04							
Note: Clutch obsolete: replace with 1090-08000-XX								
3205	1090-05703-01	1033-05714-01	—	—	4043-38560-01	—	—	—
	1090-05703-02							
Note: Clutch obsolete: replace with 1090-07050-XX & new fan blade								
4212	1090-05262-01	1033-05435-01	—	—	4043-38255-01	—	4079-38545-01	4079-38542-01
	1090-05262-02						4079-38545-02	
Note: Clutch obsolete: replace with 1090-08000-XX & 4038-42430-01								
4208	1090-05261-01	1033-05434-01	—	—	4043-38255-01	—	4079-38543-01	4079-38542-01
	1090-05261-02						—	
	1090-05261-04						4079-38543-01	
Note: Clutch obsolete: replace with 1090-07050-XX								

## Kit & Repair Parts

Kit Part Number	Contents
<b>1033-09339-01</b>	Rotary Seal Cylinder Seal Washer Seal Cylinder Assembly U-Packing Seal O-Ring Viton Locknut Lining Retaining Plate Bolts Clutch Lining Coupling Nylon Patch Bolts Grease Packet O-Ring
<b>1033-05435-03</b>	Rotary Seal Cylinder Seal Washer Seal Cylinder Assembly U-Packing Seal O-Ring Viton Locknut Lining Retaining Plate Bolts Clutch Lining Coupling Nylon Patch Bolts Grease Packet O-Ring
<b>1033-05435-02</b>	Rotary Seal Locknut Lining Retaining Plate Bolts Washer Clutch Lining O-Ring Cylinder O-Ring Grease Packet Dust Seal O-Ring
<b>1033-05434-02</b>	Rotary Seal Locknut Nut Screw Washer Clutch Lining SPRING O-Ring O-Ring Grease Packet
<b>1033-05434-01</b>	O-Ring Rotary Seal Rotary Seal Locknut Net Cylinder Nut Screw Washer Washer Clutch Lining Clutch Spring (8 & 12 HP) O-Ring O-Ring Grease Packet

Kit Part Number	Contents
<b>1033-05435-01</b>	O-Ring Rotary Seal Rotary Seal Locknut Nut Cylinder Nut Screw Washer Washer Clutch Lining Clutch Spring (8 & 12 HP) O-Ring O-Ring Grease Packet
<b>1033-05714-01</b>	Obsolete - Not Available
<b>1033-09340-01</b>	Retaining Plate Bolts Clutch Lining
<b>1033-08250-01</b>	Retaining Plate Bolts Clutch Lining
<b>1033-08233-01</b>	Dust Seal O-Ring U-Packing Seal O-Ring Washer Seal Grease Packet Cylinder Assembly Locknut Coupling
<b>4043-41130-01</b>	Dust Seal O-Ring Cylinder O-Ring O-Ring Locknut Washer Grease Packet
<b>4043-40639-01</b>	Rotary Seal Cylinder

# Kit & Repair Parts - 7000 Series "D-8" Series Design 1090-07050-XX

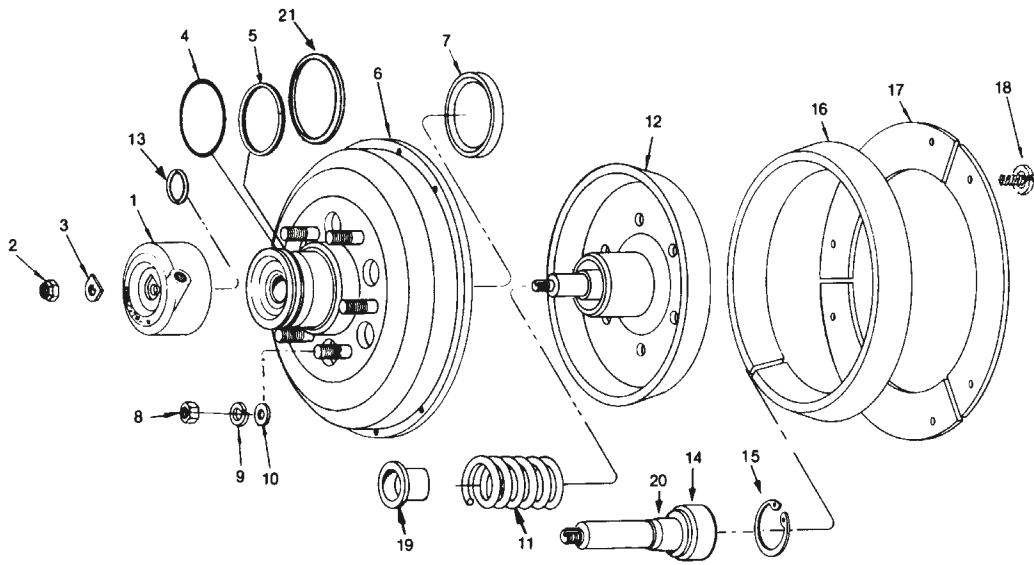


KITS & REPAIR PARTS - 7000 SERIES

Key	Description	Part#
1	Cylinder Assembly	4043-40639-01
2	Cylinder Nut	3029-01371-01
3	Tab Washer	3058-01264-02
4	O-Ring	9002-00781-68
5	Dust Seal	3018-01453-01
6	Housing Assembly	4040-40640-01 (-01,-03, -04)
7	Grease Seal	3018-01334-01
8	Fan Nut	3030-00364-01
9	Lock Washer	3059-00870-06
10	Flat Washer	3058-00843-07
11	Spring	4088-39197-01
12	Shaft Assembly	4079-40641(-01,-02)
		4079-40641-02 (-03 only)
		4079-40641-03 (-04 only)
13	O-Ring	1 of 9002-00561-58
14	Piston Rod Assembly	4079-40642-01
15	Snap Ring	3038-01268-01
16	1 Pc. Lining	4026-35868-01
17	Retaining Plate	1 of 4073-35867-01
18	Screw	3042-01282-12
19	Nut	3029-01516-01
20	Spring End Cap	4038-41098-01
21	Wear Plate	4073-39008-01
22	Spring Carrier	Included w/item 14
	Grease Packet	2035-01353-01
	Repair Kit*	1033-05435-02
23	Lining Wear Plate	

\* Items in gray areas are included in the repair kit.

# Kit & Repair Parts - 8000 Series - **K22FA 1090-08000-XX**



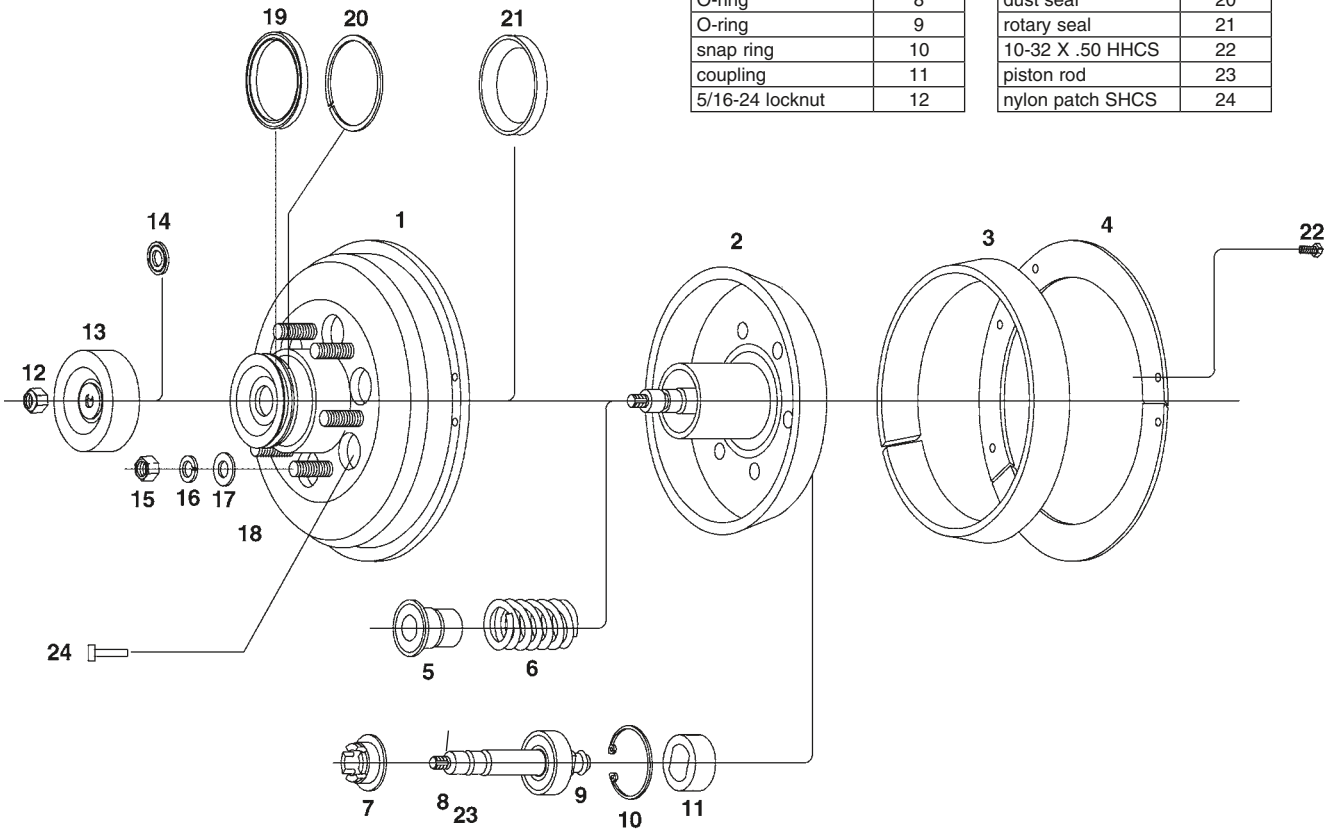
Key	Description	Part#
1	Cylinder Assembly	4043-41130-01
2	Cylinder Nut	3029-01371-01
3	Tab Washer	3058-01264-02
4	O-Ring	9002-00491-68
5	Dust Seal O-Ring	3018-01703-01
6	Housing Assembly	4040-40640-01 (-02,-05)
		4040-41131-02 (-03,-04)
7	Grease Seal	3018-01507-01
8	Fan Nut	3030-00364-01
9	Lock Washer	3059-00870-06
10	Flat Washer	3058-00843-07
11	Spring	4088-40615-01
12	Shaft Assembly	4079-41132-01 (-03)
		4079-41132-02 (-02 only)
		4079-41132-04 (-04 only)
		4079-41132-05 (-05 only)
13	O-Ring	9002-00741-58
14	Piston Rod Assembly	4079-41133-01
15	Snap Ring	3038-01510-01
16	1 Pc. Lining	4026-36900-01
17	Retaining Plate	3 of 4073-38444-01
18	Screw	3042-01684-01
19	Spring End	4001-340690-01
20	Spring Carrier*	4001-340691-01
21	Dust Seal	3018-01702-01
	Grease Packet	2035-01353-01
	Repair Kits	1033-05435-02

\* Items in gray areas are included in the repair kit.

KITS & REPAIR PARTS - 8000 SERIES



Part	Item #	Part	Item #
clutch housing	1	cylinder	13
clutch shaft	2	seal washer	14
clutch lining	3	3/8-24 hex nut	15
lining plates	4	lock washer	16
front spring cap	5	washer	17
spring	6	3/8 wheel bolt	18
spring carrier	7	U-cup	19
O-ring	8	dust seal	20
O-ring	9	rotary seal	21
snap ring	10	10-32 X .50 HHCS	22
coupling	11	piston rod	23
5/16-24 locknut	12	nylon patch SHCS	24



Kit Type	K22				K26			
	Part Number	Description	Item	Qty	Part Number	Description	Item	Qty
Service Kit	1033-05435-03	clutch lining	3	1ea	1033-09339-01	clutch lining	3	1ea
		coupling	11	1ea		coupling	11	1ea
		5/16-24 locknut	12	1ea		5/16-24 locknut	12	1ea
		seal washer	14	1ea		seal washer	14	1ea
		U-cup	19	1ea		U-cup	19	1ea
		rotary seal	21	1ea		rotary seal	21	1ea
		#10-32 X .50 HHCS	22	6ea		#10-32 X .50 HHCS	22	6ea
		dust seal	20	1ea		dust seal	20	1ea
		O-ring	9	1ea		O-ring	9	1ea
		cylinder	13	1ea		cylinder	13	1ea
		nylon patch SHCS	24	6ea		nylon patch SHCS	24	6ea
		grease packet		1ea		grease packet		1ea
		O-ring	8	1ea		O-ring	8	1ea
Lining Kit	1033-08250-01	clutch lining	3	1ea	1033-09340-01	clutch lining	3	1ea
		10-32 x .50 HHCS	22	6ea		10-32 x .50 HHCS	22	6ea
Cylinder/Seal Kit	1033-08233-01	dust seal	20	1ea	1033-08233-01	dust seal	20	1ea
		O-ring	9	1ea		O-ring	9	1ea
		cylinder	13	1ea		cylinder	13	1ea
		U-cup	19	1ea		U-cup	19	1ea
		seal washer	14	1ea		seal washer	14	1ea
		5/16-24 locknut	12	1ea		5/16-24 locknut	12	1ea
		coupling	11	1ea		coupling	11	1ea
		grease packet		1ea		grease packet		1ea

## Kit & Repair Parts - Hub Kits

Hub	Service Kit	Hub	Service Kit	Hub	Service Kit
010011650	1033-07782-01	010020476	1033-07781-01	1077-06165-01	1033-07707-02
010018953	1033-07781-01	010020481	1033-07781-01	1077-06165-02	1033-07707-02
010018982	1033-07781-01	010020485	1033-07782-01	1077-06165-03	1033-07707-02
010019001	1033-07781-01	010020499	1033-07781-01	1077-06166-01	1033-07707-02
010019026	1033-07781-01	010020533	1033-07781-01	1077-06167-01	1033-07707-02
010019574	1033-07781-01	010020542	1033-07782-01	1077-06201-01	—
010019588	1033-07782-02	010020544	1033-07781-01	1077-06521-01	1033-07707-02
010019600	1033-07782-02	010020562	1033-07781-01	1077-06565-01	1033-07707-04
010019624	1033-07781-01	010020563	1033-07781-01	1077-06565-02	1033-07707-04
010019631	1033-07781-01	010020568	1033-07781-01	1077-06565-03	1033-07707-04
010019666	1033-07781-01	010020602	1033-07781-01	1077-06565-04	1033-07707-04
010019674	1033-07782-01	010020610	1033-07781-01	1077-06565-05	1033-07707-04
010019680	1033-07782-02	010020618	1033-07781-01	1077-06877-01	1033-07707-02
010019697	1033-07781-01	010020631	1033-07781-01	1077-06877-02	1033-07707-02
010019742	1033-07781-01	010020633	1033-07781-01	1077-06901-01	1033-07707-01
010019778	1033-07782-02	010020639	1033-07781-01	1077-06901-02	1033-07707-01
010019787	1033-07781-01	010020643	1033-07781-01	1077-06901-03	1033-07707-01
010019851	—	010020652	1033-07781-01	1077-06901-04	1033-07707-01
010020040	1033-07781-01	010020657	1033-07781-01	1077-06925-01	1033-07707-02
010020074	1033-07781-01	010020688	1033-07782-04	1077-06925-02	1033-07707-02
010020079	1033-07781-01	010020722	1033-07781-01	1077-06925-03	1033-07707-02
010020085	1033-07781-01	010020730	1033-07781-01	1077-06997-01	1033-07707-02
010020091	1033-07781-01	010020732	1033-07781-01	1077-06997-02	1033-07707-02
010020174	1033-07781-01	010020738	1033-07781-01	1077-07070-01	1033-07707-02
010020181	1033-07781-01	010020742	1033-07781-01	1077-07070-02	1033-07707-02
010020227	1033-07782-02	010020746	1033-07781-01	1077-07070-03	1077-07707-02
010020230	1033-07781-01	1077-05826-01	1033-07707-01	1077-07091-01	—
010020235	1033-07781-01	1077-05826-02	1033-07707-01	1077-07091-02	—
010020237	1033-07781-01	1077-05826-03	1033-07707-01	1077-07091-03	—
010020242	1033-07781-01	1077-05826-04	1033-07707-01	1077-07156-01	1033-07707-01
010020251	1033-07781-01	1077-05826-05	1033-07707-01	1077-07156-02	1033-07707-01
010020255	1033-07782-02	1077-05826-06	1077-07707-01	1077-07156-03	1033-07707-01
010020257	1033-07781-01	1077-05826-07	1033-07707-01	1077-07156-04	1033-07707-01
010020263	1033-07781-01	1077-05826-08	1033-07707-01	1077-07156-05	1033-07707-01
010020266	1033-07781-01	1077-05826-10	1033-07707-01	1077-07156-06	1033-07707-01
010020282	1033-07781-01	1077-05827-01	1033-07707-02	1077-07156-07	1033-07707-01
010020286	1033-07782-01	1077-05827-02	1033-07707-02	1077-07156-08	1033-07707-01
010020336	1033-07781-01	1077-05827-03	1033-07707-02	1077-07253-01	1033-07707-01
010020343	1033-07781-01	1077-05849-01	1033-07707-02	1077-07253-02	1033-07707-01
010020367	1033-07781-01	1077-05849-02	1033-07707-02	1077-07438-02	1033-07711-01
010020369	1033-07781-01	1077-05849-03	1033-07707-02	1077-07438-03	1033-07711-01
010020377	1033-07781-01	1077-05849-04	1033-07707-02	1077-07438-12	1033-07711-01
010020392	1033-07781-01	1077-05862-02	—	1077-07439-12	1033-07712-01
010020400	1033-07781-01	1077-06127-01	1033-06554-01	1077-07439-15	1033-07712-01
010020411	1033-07781-01	1077-06127-02	1033-06554-01	1077-07735-01	1033-07781-01
010020417	1033-07781-01	1077-06149-01	1033-06554-01	1077-07735-02	1033-07781-01
010020429	1033-07781-01	1077-06149-02	1033-06554-01	1077-07735-03	1033-07781-01
010020459	1033-07781-01	1077-06155-01	—	1077-07735-04	1033-07781-01
010020464	1033-07781-01	1077-06157-01	—	1077-07735-05	1033-07781-01

KIT & REPAIR PARTS - HUB KITS

## Kit & Repair Parts - Hub Kits

Hub	Service Kit	Hub	Service Kit	Hub	Service Kit
1077-07735-06	1033-07781-01	1077-07867-09	1033-07781-01	1077-07933-01	1033-07781-01
1077-07735-09	1033-07781-01	1077-07867-10	1033-07781-01	1077-07933-02	1033-07781-01
1077-07735-10	1033-07781-01	1077-07867-11	1033-07781-01	1077-07933-03	1033-07781-01
1077-07735-12	1033-07781-01	1077-07867-12	1033-07781-01	1077-07933-04	1033-07781-01
1077-07735-13	1033-07781-01	1077-07869-01	1033-07781-01	1077-07935-01	1033-07781-01
1077-07735-14	1033-07781-01	1077-07869-02	1033-07781-01	1077-07935-02	1033-07781-01
1077-07735-15	1033-07781-01	1077-07869-03	1033-07781-01	1077-07935-03	1033-07781-01
1077-07738-01	1033-07782-01	1077-07869-04	1033-07781-01	1077-07935-04	1033-07781-01
1077-07738-02	1033-07782-01	1077-07895-01	1033-07781-01	1077-07935-05	N/R
1077-07738-03	1033-07782-01	1077-07895-02	1033-07781-01	1077-07956-01	1033-07781-01
1077-07738-04	1033-07782-01	1077-07895-03	1033-07781-01	1077-07956-01A	1033-07781-01
1077-07738-06	1033-07782-01	1077-07895-04	1033-07781-01	1077-07956-02	1033-07781-01
1077-07738-07	1033-07782-01	1077-07895-05	1033-07781-01	1077-07956-03	1033-07781-01
1077-07757-01	1033-07782-01	1077-07895-06	1033-07781-01	1077-07956-04	1033-07781-01
1077-07757-02	1033-07782-01	1077-07895-07	1033-07781-01	1077-07958-01	1033-07707-01
1077-07757-03	1033-07782-01	1077-07895-08	1033-07781-01	1077-07986-01	1033-07781-01
1077-07757-04	1033-07782-01	1077-07895-09	1033-07781-01	1077-07986-02	1033-07781-01
1077-07767-01	1033-07781-01	1077-07895-12	1033-07781-01	1077-08031-01	1033-07781-01
1077-07767-02	1033-07781-01	1077-07899-01	1033-07782-01	1077-08031-02	—
1077-07767-03	1033-07781-01	1077-07899-01A	1033-07782-01	1077-08033-01	1033-07781-01
1077-07767-04	1033-07781-01	1077-07899-02	1033-07782-01	1077-08033-01A	1033-07781-01
1077-07767-05	1033-07781-01	1077-07899-03	1033-07782-01	1077-08035-01	1033-07782-01
1077-07767-06	1033-07781-01	1077-07903-01	1033-07781-01	1077-08035-01A	1033-07782-01
1077-07767-07	1033-07781-01	1077-07905-01	1033-07781-01	1077-08039-01	1033-07781-01
1077-07767-08	1033-07781-01	1077-07905-02	1033-07781-01	1077-08039-01A	1033-07781-01
1077-07767-09	1033-07781-01	1077-07905-02A	1033-07781-01	1077-08039-02	1033-07781-01
1077-07770-01	1033-07781-01	1077-07905-04	1033-07781-01	1077-08069-01	1033-07781-01
1077-07770-02	1033-07781-01	1077-07908-01	1033-07781-01	1077-08069-02	1033-07781-01
1077-07770-02A	1033-07781-01	1077-07911-01	1033-07781-01	1077-08071-01	1033-07781-01
1077-07770-03	1033-07781-01	1077-07911-01A	1033-07781-01	1077-08071-02	1033-07781-01
1077-07770-05	1033-07781-01	1077-07927-01	1033-07781-01	1077-08071-03	1033-07781-01
1077-07770-06	1033-07781-01	1077-07927-02	1033-07781-01	1077-08071-04	1033-07781-01
1077-07770-06A	1033-07781-01	1077-07929-01	1033-07781-01	1077-08071-05	1033-07781-01
1077-07770-07	1033-07781-01	1077-07929-02	1033-07781-01	1077-08079-01	1033-07781-01
1077-07770-08	1033-07781-01	1077-07929-03	1033-07781-01	1077-08079-02	1033-07781-01
1077-07770-09	1033-07781-01	1077-07929-04	1033-07781-01	1077-08079-03	1033-07781-01
1077-07770-10	1033-07781-01	1077-07929-05	1033-07781-01	1077-08079-04	1033-07781-01
1077-07770-12	1033-07781-01	1077-07929-06	1033-07781-01	1077-08079-05	1033-07781-01
1077-07770-13	1033-07781-01	1077-07929-07	1033-07781-01	1077-08079-06A	1033-07781-01
1077-07773-01	1033-07707-01	1077-07929-07A	1033-07781-01	1077-08079-07	1033-07781-01
1077-07773-02	1033-07707-01	1077-07929-08	1033-07781-01	1077-08092-01	1033-07781-01
1077-07867-01	1033-07781-01	1077-07929-09	1033-07781-01	1077-08092-02B	1033-07781-01
1077-07867-02	1033-07781-01	1077-07929-10	1033-07781-01	1077-08096-01	1033-07781-01
1077-07867-03	1033-07781-01	1077-07929-12	1033-07781-01	1077-08099-01	1033-07781-01
1077-07867-04	1033-07781-01	1077-07929-13	1033-07781-01	1077-08099-02	1033-07781-01
1077-07867-05	1033-07781-01	1077-07929-15	1033-07781-01	1077-08099-03	1033-07781-01
1077-07867-06	1033-07781-01	1077-07929-16	1033-07781-01	1077-08099-04	1033-07781-01
1077-07867-07	1033-07781-01	1077-07929-17	1033-07781-01	1077-08099-05	1033-07781-01
1077-07867-08	1033-07781-01	1077-07929-18	1033-07781-01	1077-08099-06	1033-07781-01

## Kit & Repair Parts - Hub Kits

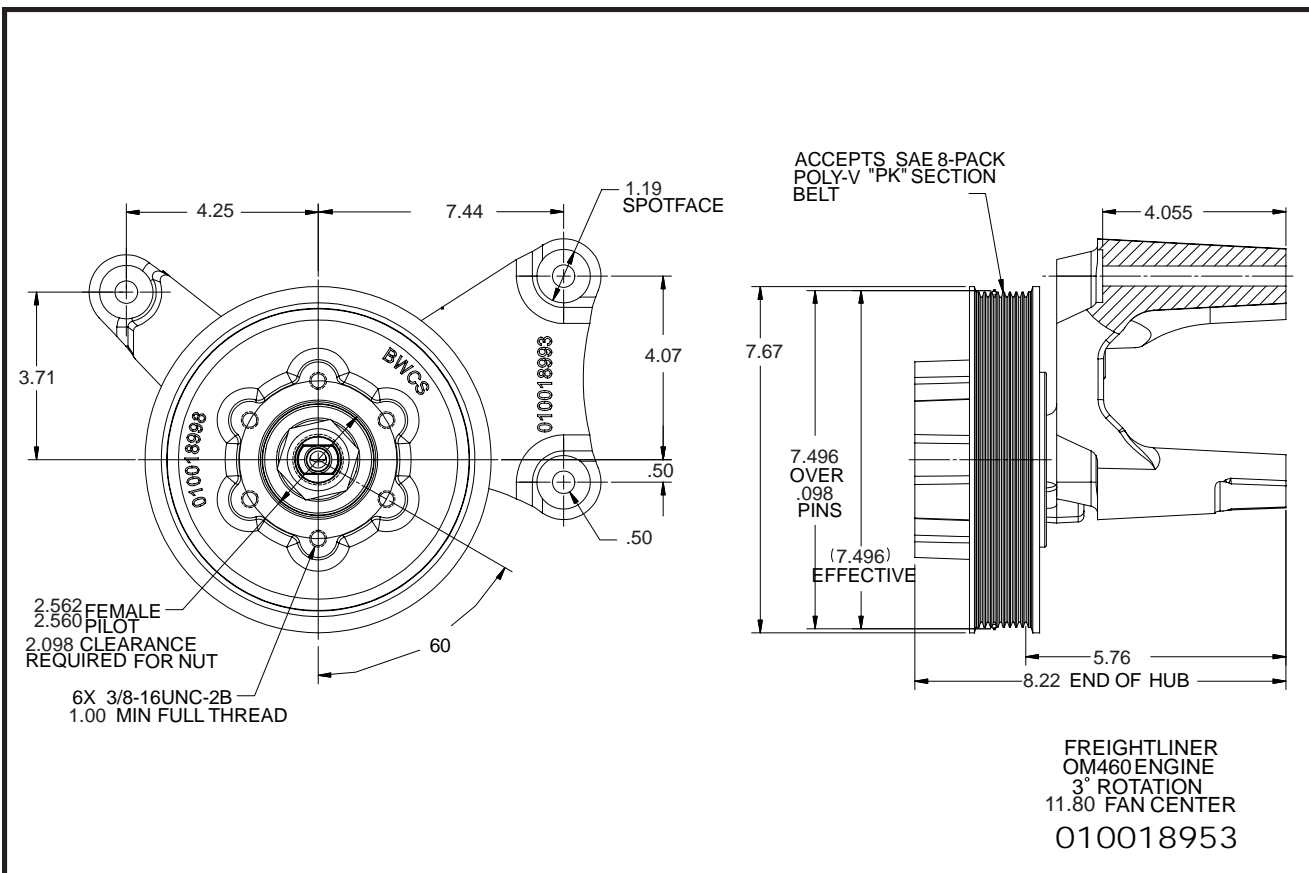
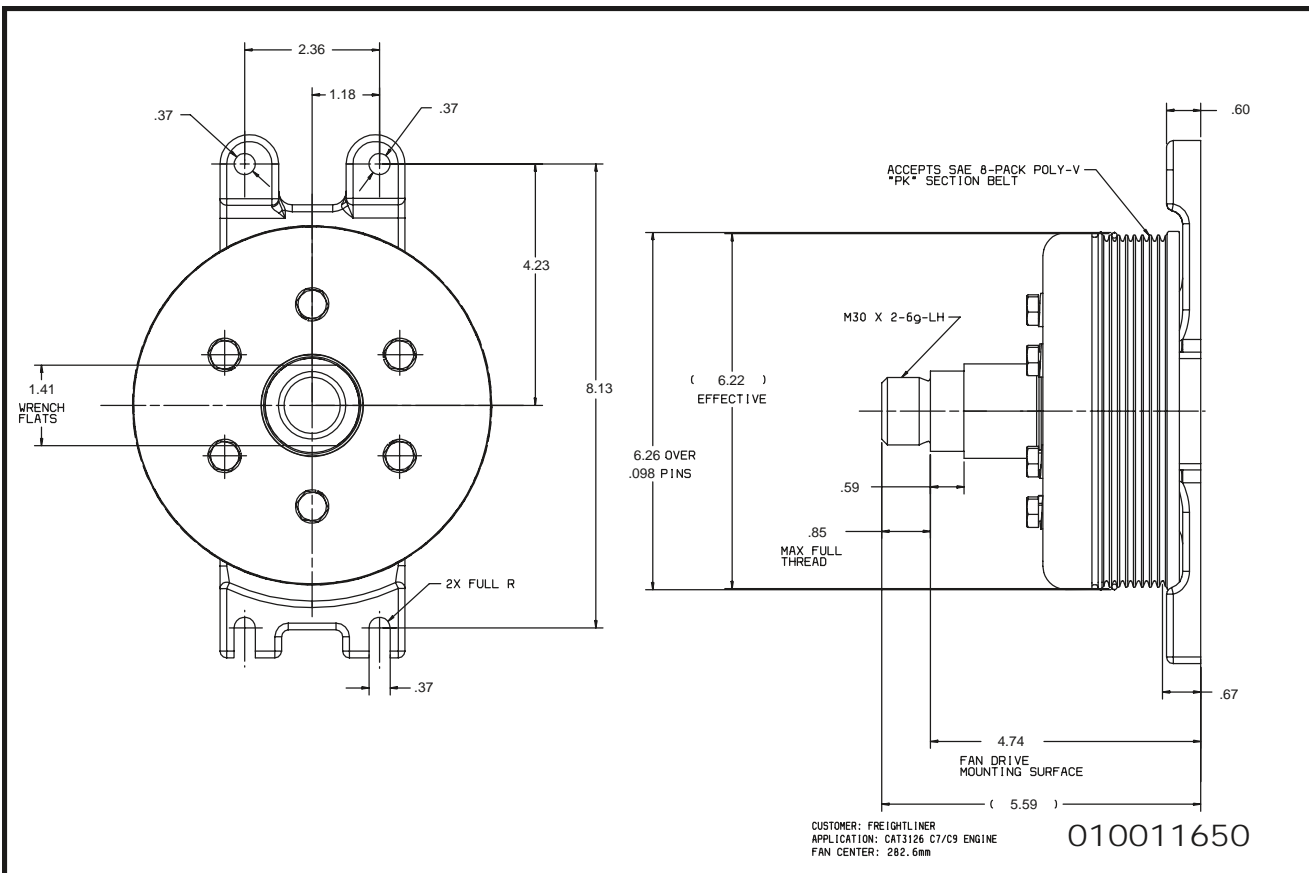
Hub	Service Kit	Hub	Service Kit	Hub	Service Kit
1077-08099-07	1033-07781-01	1077-08221-01	1033-07782-01	1077-09059-05	1033-07781-01
1077-08099-08	1033-07781-01	1077-08225-01	1033-07781-01	1077-09059-06	1033-07781-01
1077-08099-09B	1033-07781-01	1077-08225-02	1033-07781-01	1077-09059-07	1033-07781-01
1077-08099-11B	1033-07781-01	1077-08231-01	1033-07782-01	1077-09059-08	1033-07781-01
1077-08101-01	1033-07782-01	1077-08234-01	1033-07781-01	1077-09059-09	1033-07781-01
1077-08101-01A	1033-07782-01	1077-08234-01A	1033-07781-01	1077-09059-10	1033-07781-01
1077-08101-02A	1033-07781-01	1077-08234-02	1033-07781-01	1077-09061-02	1033-07782-04
1077-08101-03A	1033-07781-01	1077-08257-01	1033-07781-01	1077-09063-01	1033-07781-01
1077-08101-04A	1033-07781-01	1077-08257-02	—	1077-09063-02	1033-07781-01
1077-08101-05A	1033-07782-01	1077-08257-03	1033-07781-01	1077-09063-04	1033-07781-01
1077-08101-06A	1033-07782-01	1077-08265-01	1033-07782-03	1077-09067-01	1033-07781-01
1077-08107-07A	1033-07781-01	1077-08265-02	1033-07782-03	1077-09067-02	1033-07781-01
1077-08113-01	1033-07782-02	1077-08265-03	1033-07782-03	1077-09067-03	1033-07781-01
1077-08113-02	1033-07782-02	1077-08265-04	1033-07782-03	1077-09067-04	1033-07781-01
1077-08113-03	1033-07782-02	1077-08265-05	1033-07782-03	1077-09071-01	1033-07781-01
1077-08115-01	1033-07782-03	1077-08265-06	1033-07782-03	1077-09075-01	1033-07781-01
1077-08115-02	1033-07782-03	1077-08267-01	1033-07782-01	1077-09075-02	1033-07781-01
1077-08115-03	1033-07782-03	1077-08267-02	1033-07782-01	1077-09075-03	1033-07781-01
1077-08115-04	1033-07782-03	1077-09010-01	1033-07781-01	1077-09075-04	1033-07781-01
1077-08117-01	1033-07781-01	1077-09012-01	1033-07781-01	1077-09075-05	1033-07781-01
1077-08117-02	1033-07781-01	1077-09012-02	1033-07781-01	1077-09077-01	1033-07781-01
1077-08121-01	1033-07782-04	1077-09012-04	1033-07781-01	1077-09077-02	1033-07781-01
1077-08121-02	1033-07782-04	1077-09015-01	1033-07781-01	1077-09077-03	1033-07781-01
1077-08121-03	1033-07782-04	1077-09015-02	1033-07781-01	1077-09077-04	1033-07781-01
1077-08123-01	1033-07781-01	1077-09015-03	1033-07781-01	1077-09077-05	1033-07781-01
1077-08131-01	1033-07782-03	1077-09015-04	1033-07781-01	1077-09077-06	1033-07781-01
1077-08131-02	1033-07782-03	1077-09017-01	1033-07782-01	1077-09083-01B	1033-07781-01
1077-08133-01	1033-07782-03	1077-09019-01	1033-07781-01	1077-09085-01	1033-07781-01
1077-08133-02	1033-07782-03	1077-09019-02	1033-07781-01	1077-09085-03	1033-07781-01
1077-08133-03	1033-07782-03	1077-09019-03	1033-07781-01	1077-09089-02	1033-07781-01
1077-08161-01	1033-07782-02	1077-09019-04	1033-07781-01	1077-09089-03	1033-07781-01
1077-08163-01	1033-07781-01	1077-09019-05	1033-07781-01	1077-09091-01	1033-07781-01
1077-08166-01	1033-07781-01	1077-09021-01	1033-07781-01	1077-09103-01	1033-07781-01
1077-08166-02	1033-07781-01	1077-09021-02	1033-07781-01	1077-09111-01	1033-07781-01
1077-08166-03	1033-07781-01	1077-09021-03	1033-07781-01	1077-09111-03	1033-07781-01
1077-08166-04	1033-07781-01	1077-09021-04	1033-07781-01	1077-09113-01	1033-07781-01
1077-08166-04A	1033-07781-01	1077-09021-05	1033-07781-01	1077-09113-02	1033-07781-01
1077-08171-01	1033-07782-01	1077-09021-06	1033-07781-01	1077-09113-03	1033-07781-01
1077-08181-01	1033-07781-01	1077-09025-01	1033-07781-01	1077-09113-04	1033-07781-01
1077-08183-01	1033-07781-01	1077-09053-01	1033-07782-02	1077-09113-05	1033-07781-01
1077-08191-01	1033-07781-01	1077-09053-02	1033-07782-02	1077-09116-01	1033-07782-02
1077-08201-01	1033-07781-01	1077-09053-03	1033-07782-02	1077-09116-02	1033-07781-01
1077-08207-01	1033-07781-01	1077-09055-01	1033-07781-01	1077-09116-03	1033-07781-01
1077-08207-02	1033-07781-01	1077-09057-01	1033-07781-01	1077-09116-04	1033-07781-01
1077-08211-01	1033-07781-01	1077-09057-01B	1033-07781-01	1077-09116-05	1033-07782-01
1077-08211-02	1033-07781-01	1077-09059-01	1033-07781-01	1077-09116-06	1033-07782-02
1077-08217-01	1033-07782-01	1077-09059-02	1033-07781-01	1077-09116-07	1033-07782-02
1077-08217-02	1033-07782-01	1077-09059-03	1033-07781-01	1077-09116-08	1033-07782-02
1077-08217-03	1033-07782-01	1077-09059-04	1033-07781-01	1077-09116-09	1033-07782-02

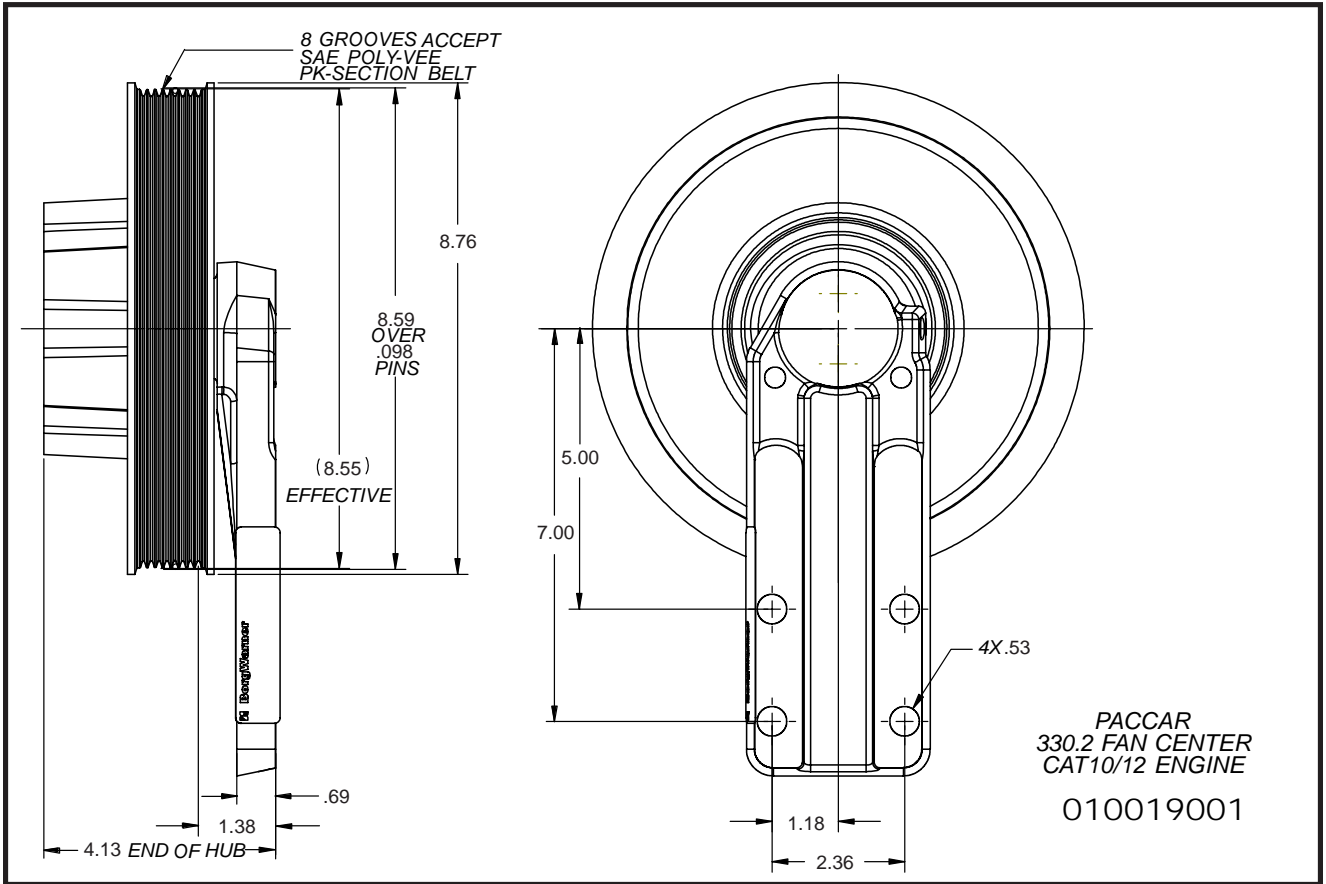
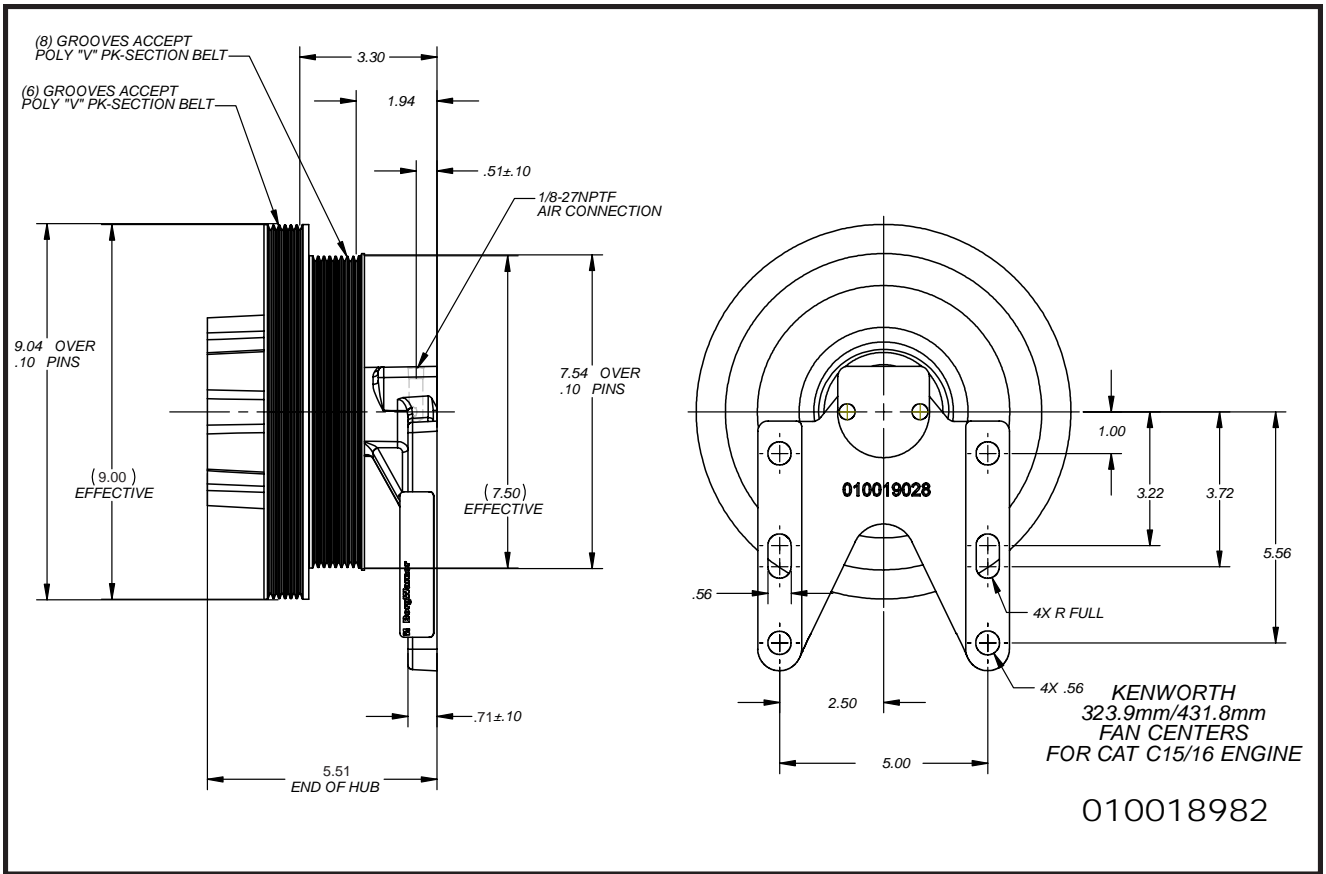
KITS & REPAIR PARTS - HUB KITS

## Kit & Repair Parts - Hub Kits

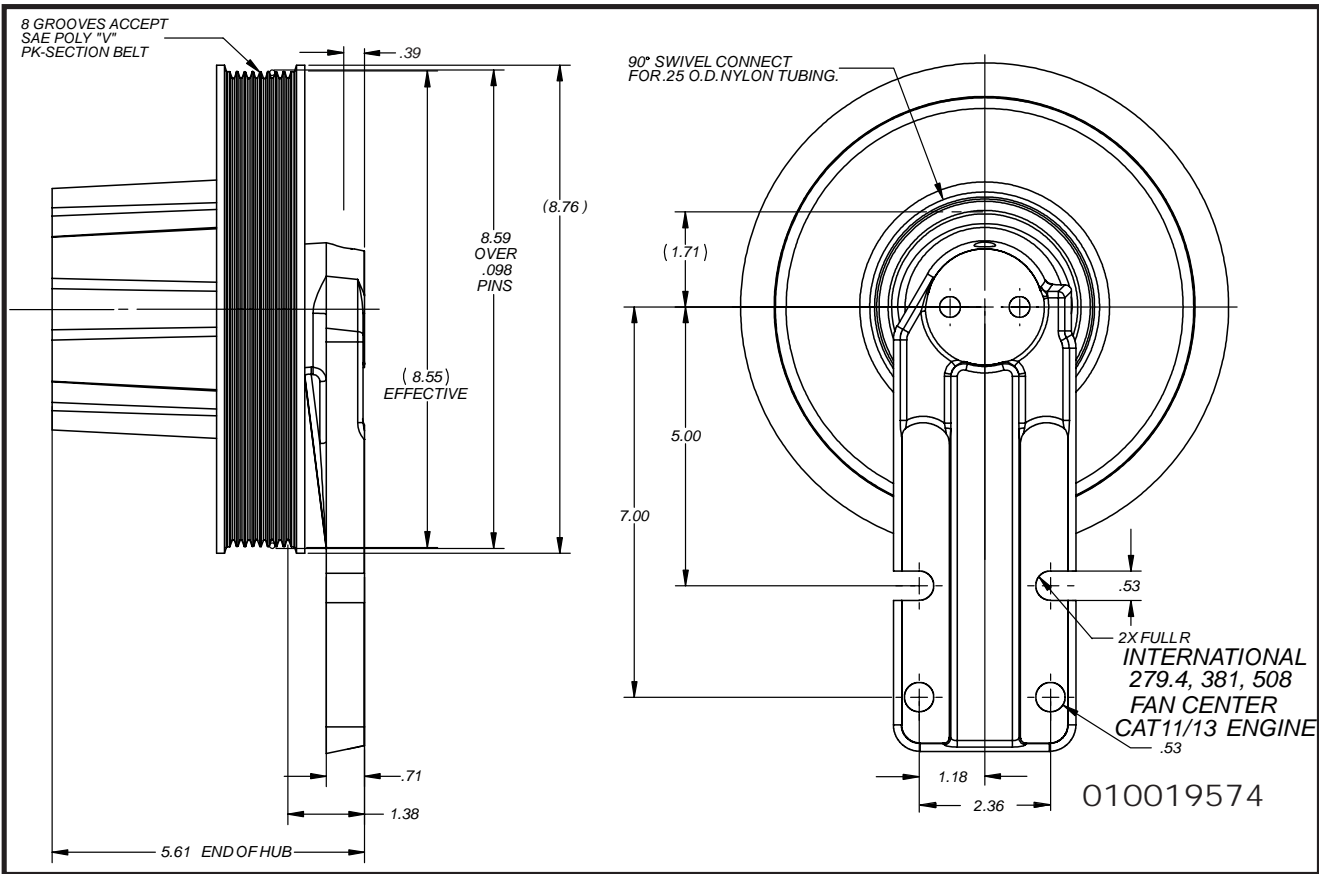
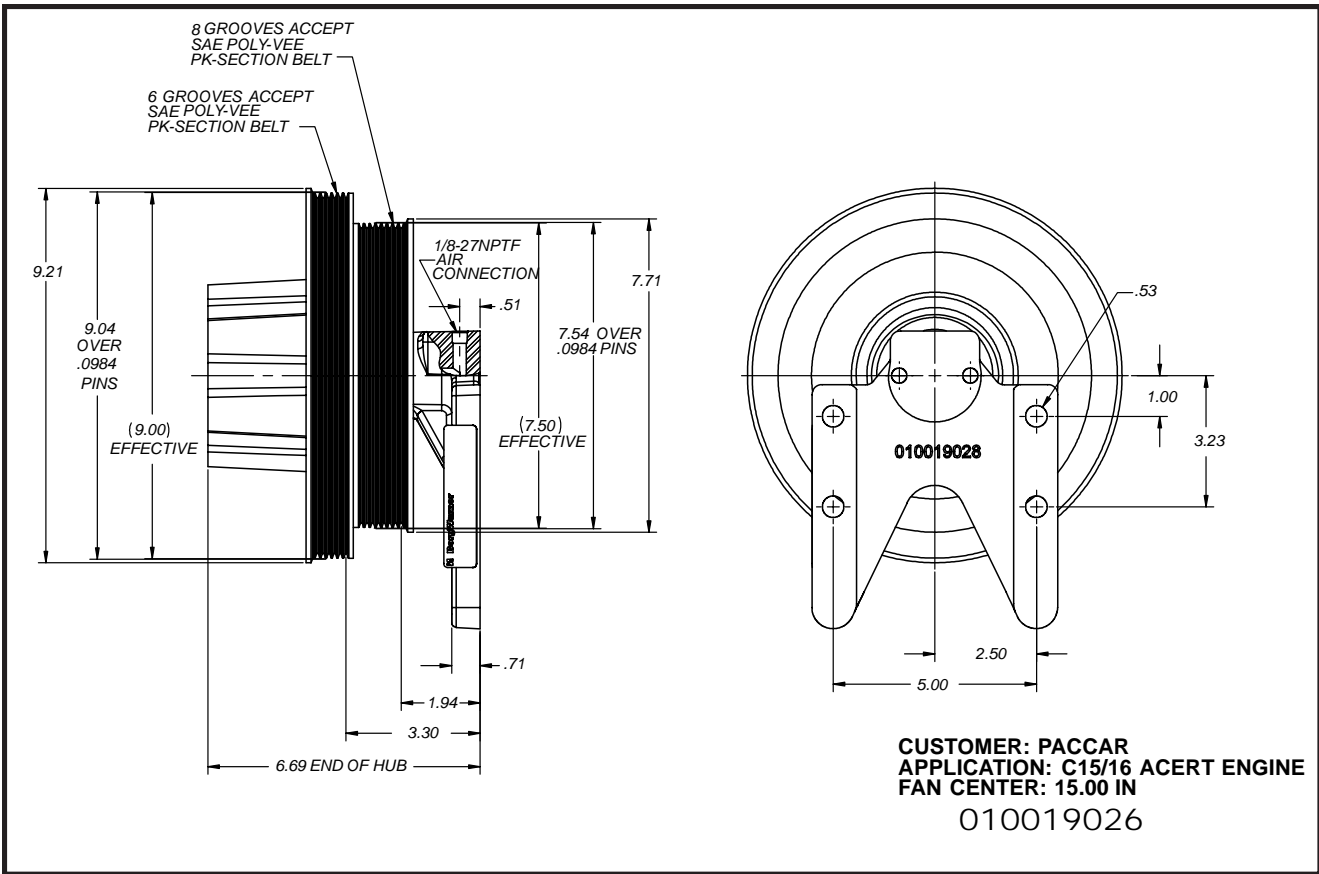
Hub	Service Kit	Hub	Service Kit	Hub	Service Kit
1077-09116-10	1033-07782-02	1077-09131-01	1033-07781-01	1077-09289-01	1033-07781-01
1077-09116-11	1033-07782-02	1077-09159-01	1033-07781-01	1077-09291-01	1033-07781-01
1077-09116-14	1033-07781-01	1077-09159-02	1033-07781-01	1077-09294-01	1033-07781-01
1077-09116-15	1033-07782-02	1077-09162-01	1033-07781-01	1077-09297-01	1033-07781-01
1077-09116-16	1033-07782-01	1077-09172-01	1033-07781-01	1077-09299-01	1033-07781-01
1077-09116-17	1033-07782-01	1077-09172-02	1033-07781-01	1077-09301-01	1033-07781-01
1077-09116-18	1033-07781-01	1077-09174-01	1033-07781-01	1077-09303-01	1033-07781-01
1077-09116-19	1033-07781-01	1077-09176-01	1033-07782-01	1077-09303-02	1033-07781-01
1077-09118-01	1033-07782-02	1077-09176-02	1033-07782-01	1077-09303-03	1033-07781-01
1077-09118-02	1033-07781-01	1077-09176-03	1033-07782-01	1077-09303-04	1033-07781-01
1077-09118-03	1033-07781-01	1077-09176-04	1033-07781-01	1077-09303-05	1033-07781-01
1077-09118-04	1033-07782-02	1077-09176-06	1033-07781-01	1077-09303-06	1033-07781-01
1077-09118-05	1033-07782-02	1077-09179-01	1033-07781-01	1077-09303-07	1033-07781-01
1077-09118-06	1033-07782-02	1077-09188-01	1033-07781-01	1077-09303-08	1033-07781-01
1077-09118-07	1033-07782-02	1077-09188-02	1033-07781-01	1077-09303-09	1033-07781-01
1077-09118-08	1033-07781-01	1077-09188-03	1033-07781-01	1077-09303-10	1033-07781-01
1077-09118-09	1033-07782-02	1077-09192-01	1033-07781-01	1077-09308-02	1033-07781-01
1077-09118-10	1033-07782-01	1077-09207-01	1033-07781-01	1077-09310-01	1033-07781-01
1077-09120-01	1033-07782-02	1077-09209-01	1033-07781-01	1077-09313-01	1033-07781-01
1077-09120-02	1033-07781-01	1077-09209-02	1033-07781-01	1077-09315-01	1033-07781-01
1077-09120-03	1033-07782-02	1077-09212-01	1077-07781-01	1077-09317-01	1033-07781-01
1077-09120-04	1033-07782-02	1077-09214-01	1033-07781-01	1077-09319-01	1033-07782-02
1077-09120-05	1033-07782-02	1077-09214-02	1033-07781-01	1077-09322-01	1033-07781-01
1077-09120-06	1033-07782-02	1077-09218-01	1033-07781-01	1077-09323-01	1033-07781-01
1077-09120-07	1033-07782-02	1077-09218-02	1033-07781-01	1077-09329-01	1033-07782-01
1077-09120-08	1033-07781-01	1077-09220-01	1033-07781-01	1077-09333-01	1033-07782-01
1077-09122-01	1033-07782-02	1077-09220-02	1033-07781-01	1077-09335-01B	1033-07782-01
1077-09122-02	1033-07781-01	1077-09223-01	1033-07782-01	1077-09338-01B	1033-07782-01
1077-09122-03	1033-07781-01	1077-09236-01	1033-07782-01	1077-09343-01	1033-07781-01
1077-09122-04	1033-07782-02	1077-09236-02	1033-07782-01	1077-09347-01	1033-07782-01
1077-09122-05	1033-07782-02	1077-09241-01	1033-07781-01	1077-09351-01	1033-07781-01
1077-09122-06	1033-07782-02	1077-09246-01	1077-07781-01	1077-09354-01	1033-07781-01
1077-09122-07	1033-07781-01	1077-09247-01	1033-07781-01	1077-09354-02	1033-07781-01
1077-09122-08	1033-07782-01	1077-09252-01B	1033-07781-01	1077-09359-01	1033-07781-01
1077-09124-01	1033-07782-02	1077-09252-02B	1033-07781-01	1077-09361-01	1033-07781-01
1077-09124-02	1033-07782-02	1077-09255-01	1033-07781-01	1077-09363-01	1033-07781-01
1077-09124-03	1033-07782-02	1077-09255-02	1033-07781-01	1077-09369-01	1033-07781-01
1077-09124-04	1033-07782-02	1077-09261-01	1033-07781-01	1077-09369-02	1033-07781-01
1077-09126-01	1033-07781-01	1077-09261-02	1033-07781-01	1077-09373-01	1033-07781-01
1077-09126-04	1033-07781-01	1077-09261-03	1033-07781-01		
1077-09126-05	1033-07781-01	1077-09271-01	1033-07781-01		
1077-09126-06	1033-07781-01	1077-09273-01	1033-07781-01		
1077-09128-01	1033-07782-02	1077-09275-01	1033-07781-01		
1077-09128-02	1033-07781-01	1077-09277-01	1033-07781-01		
1077-09128-03	1033-07782-01	1077-09279-01	1033-07782-02		
1077-09128-04	1033-07782-01	1077-09281-01	1033-07781-01		
1077-09128-09	1033-07781-01	1077-09283-01	1033-07781-01		
1077-09128-10	1033-07781-01	1077-09285-02	N/R		
1077-09128-12	1033-07781-01	1077-09287-01	1033-07781-01		

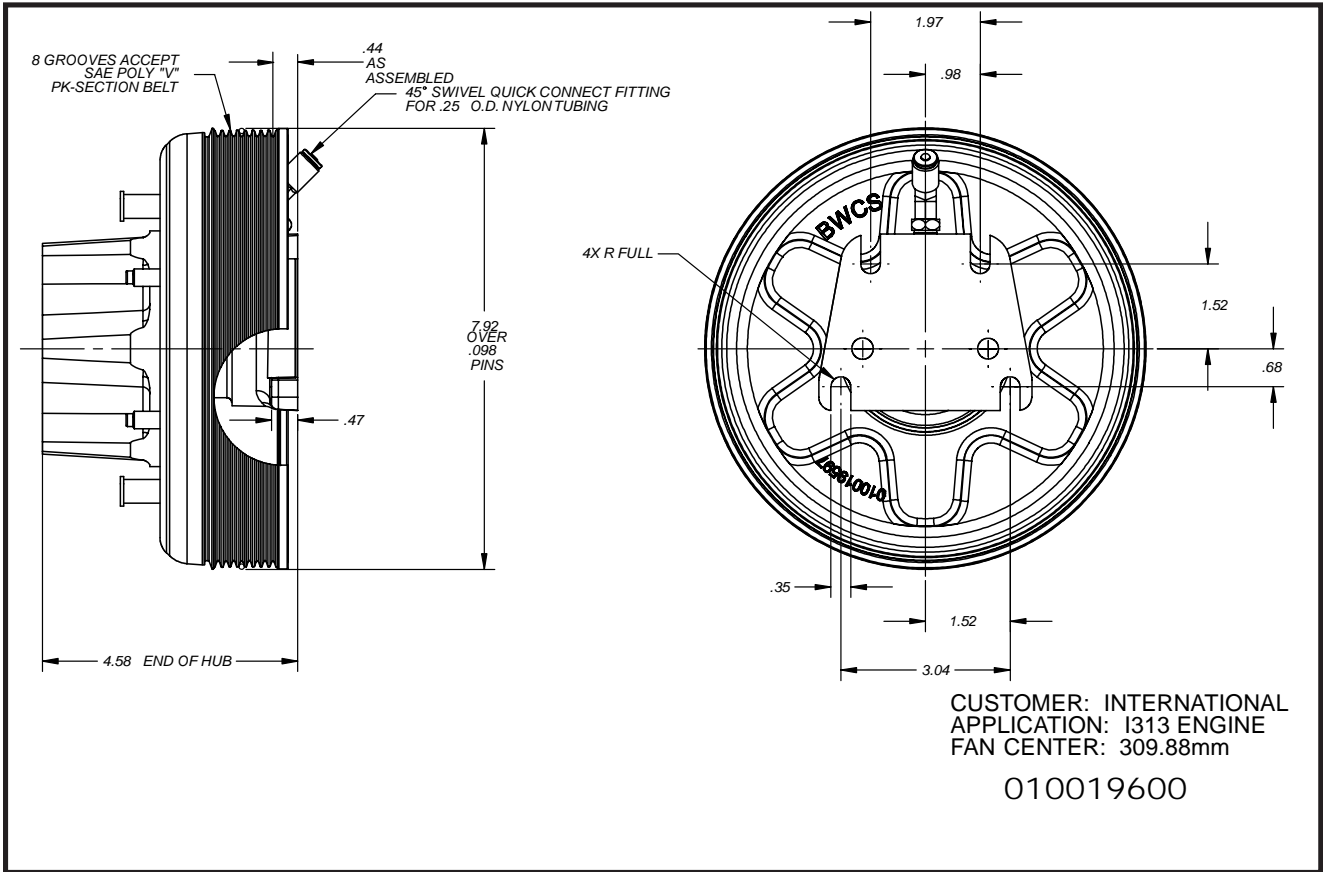
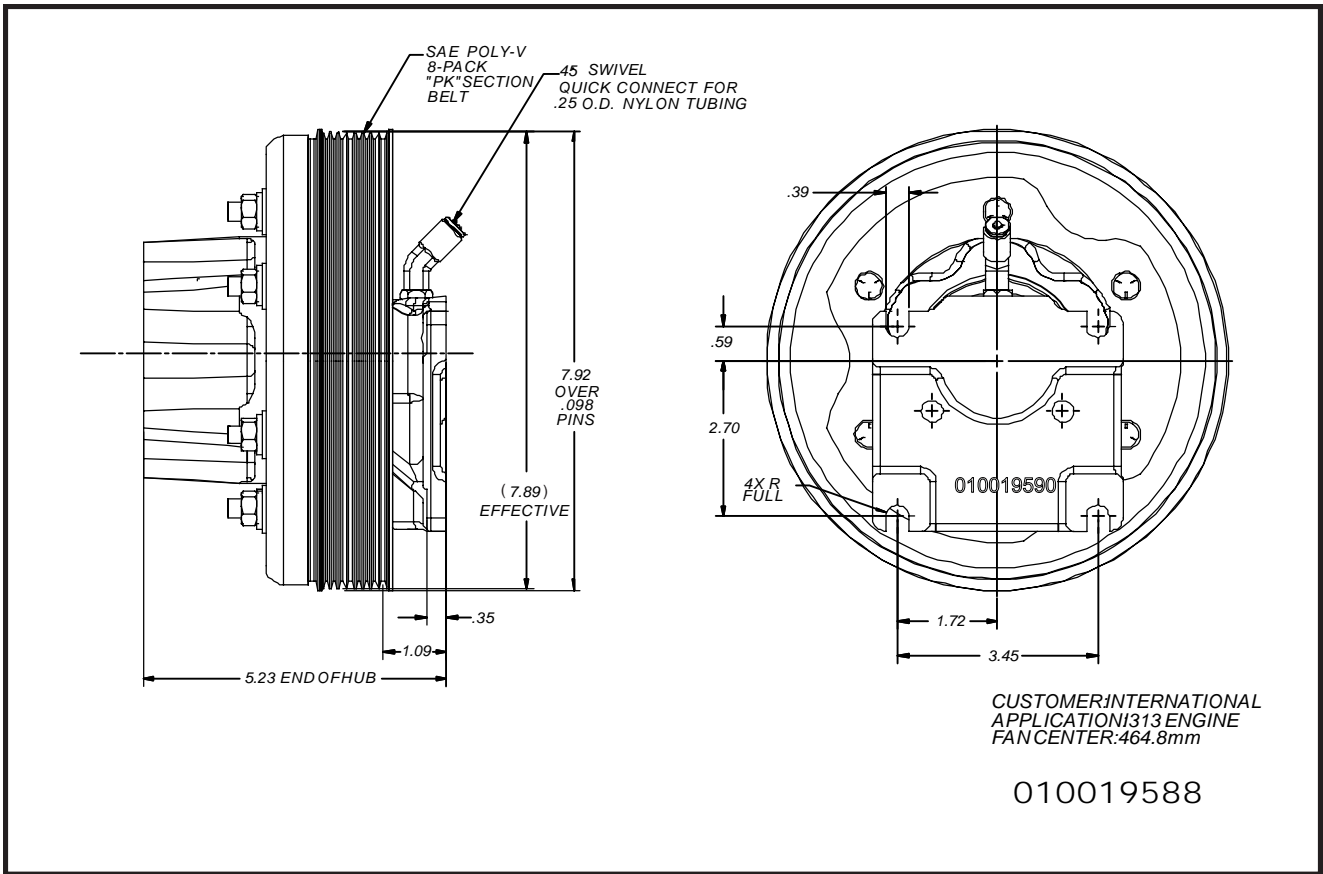
# Outline Drawings

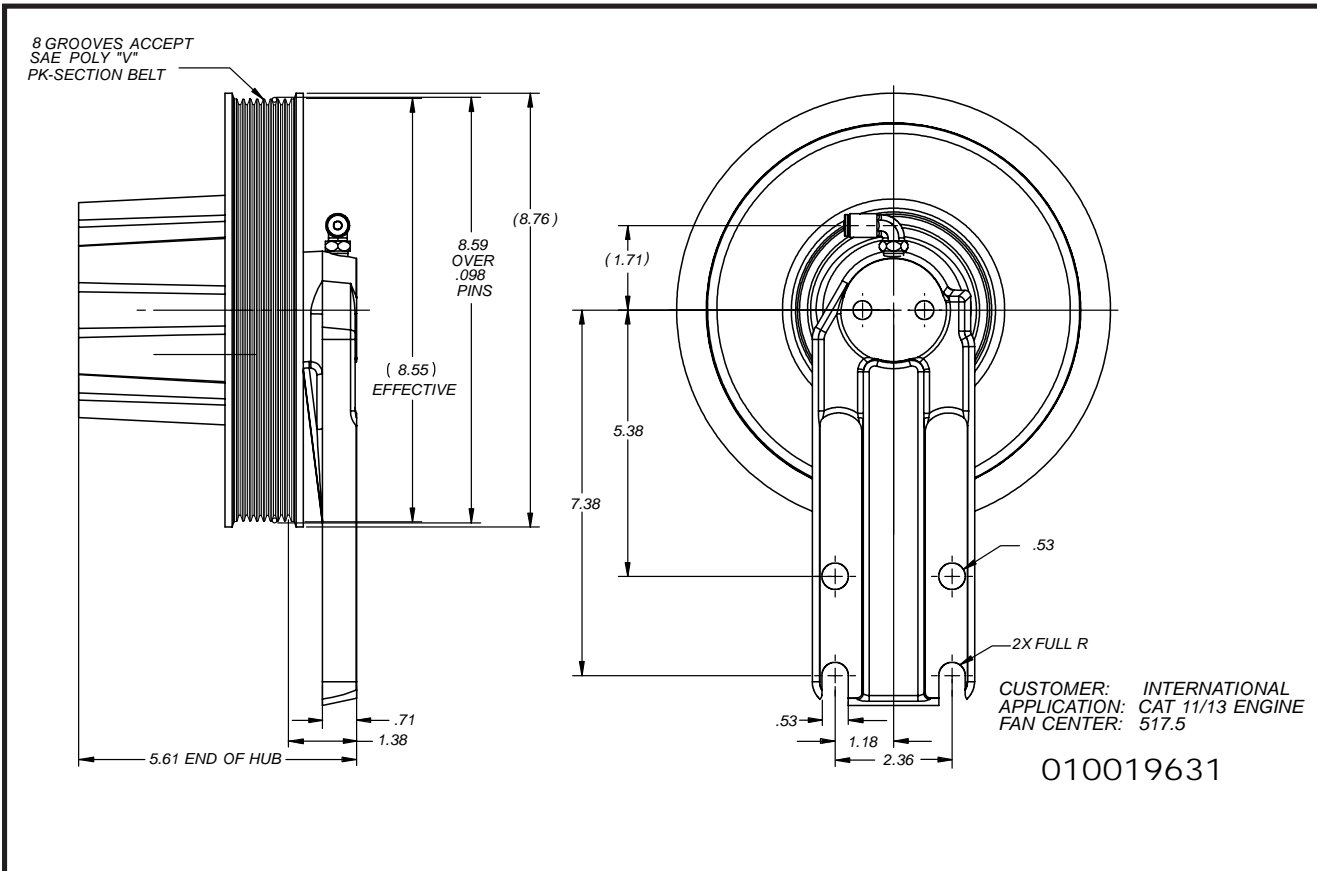
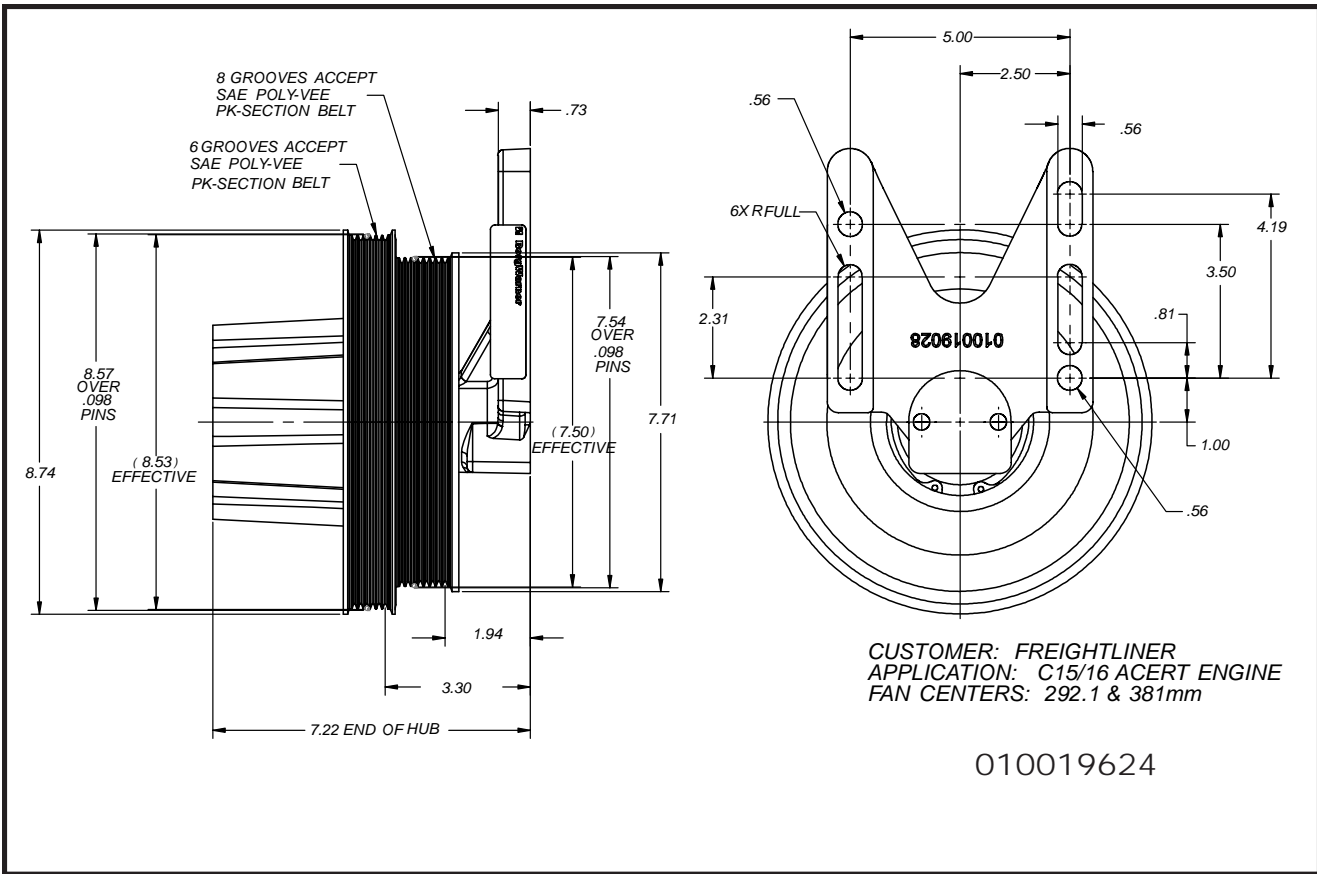


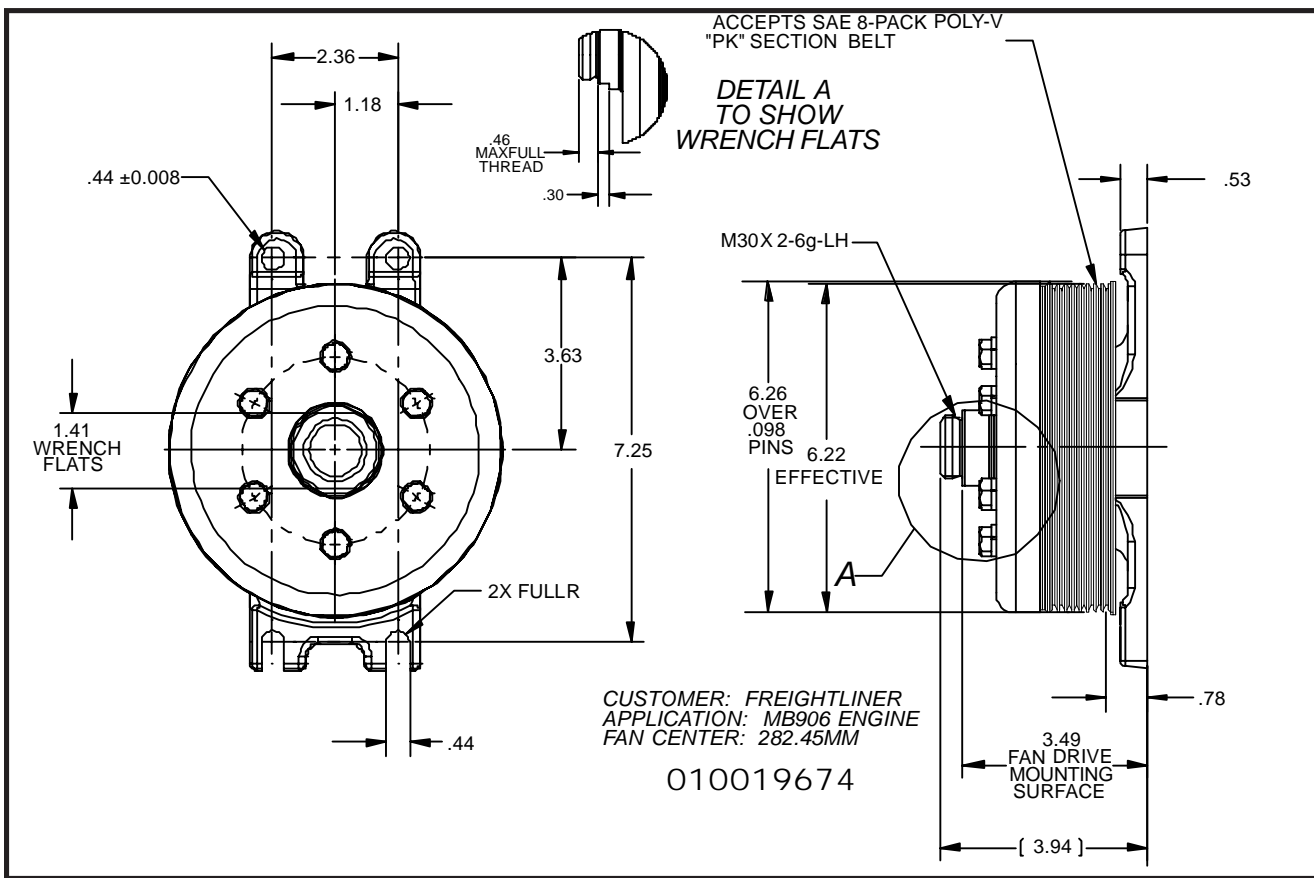
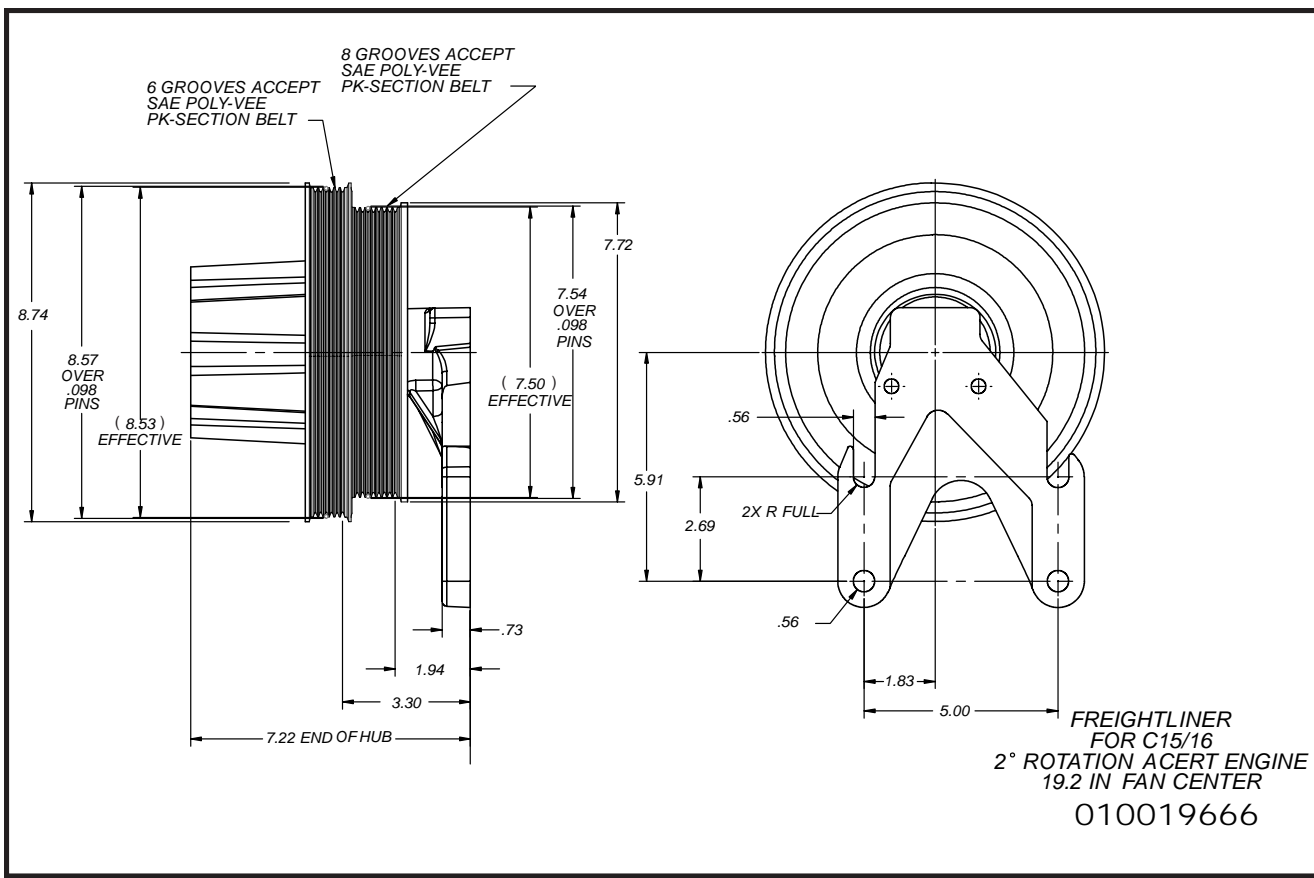


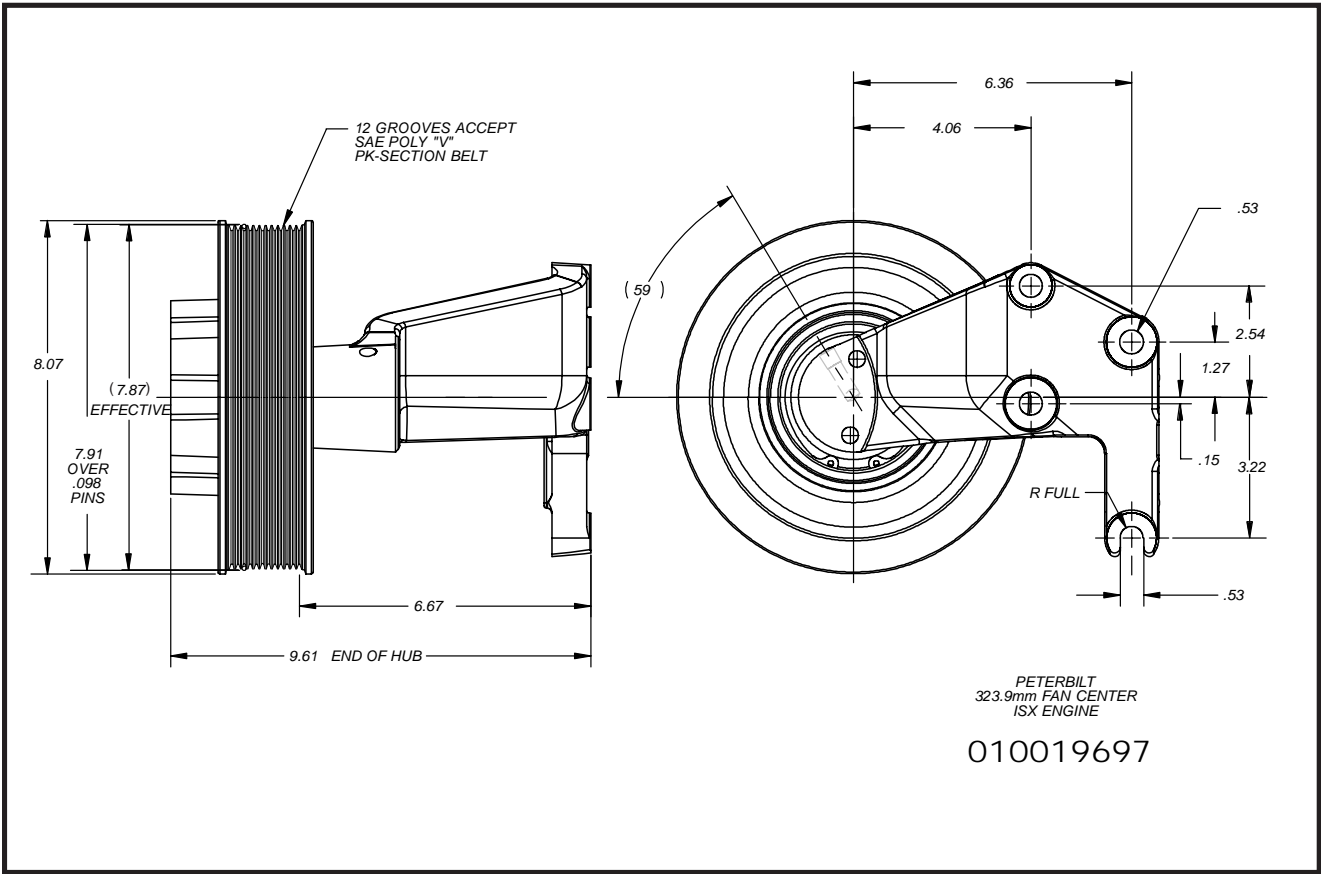
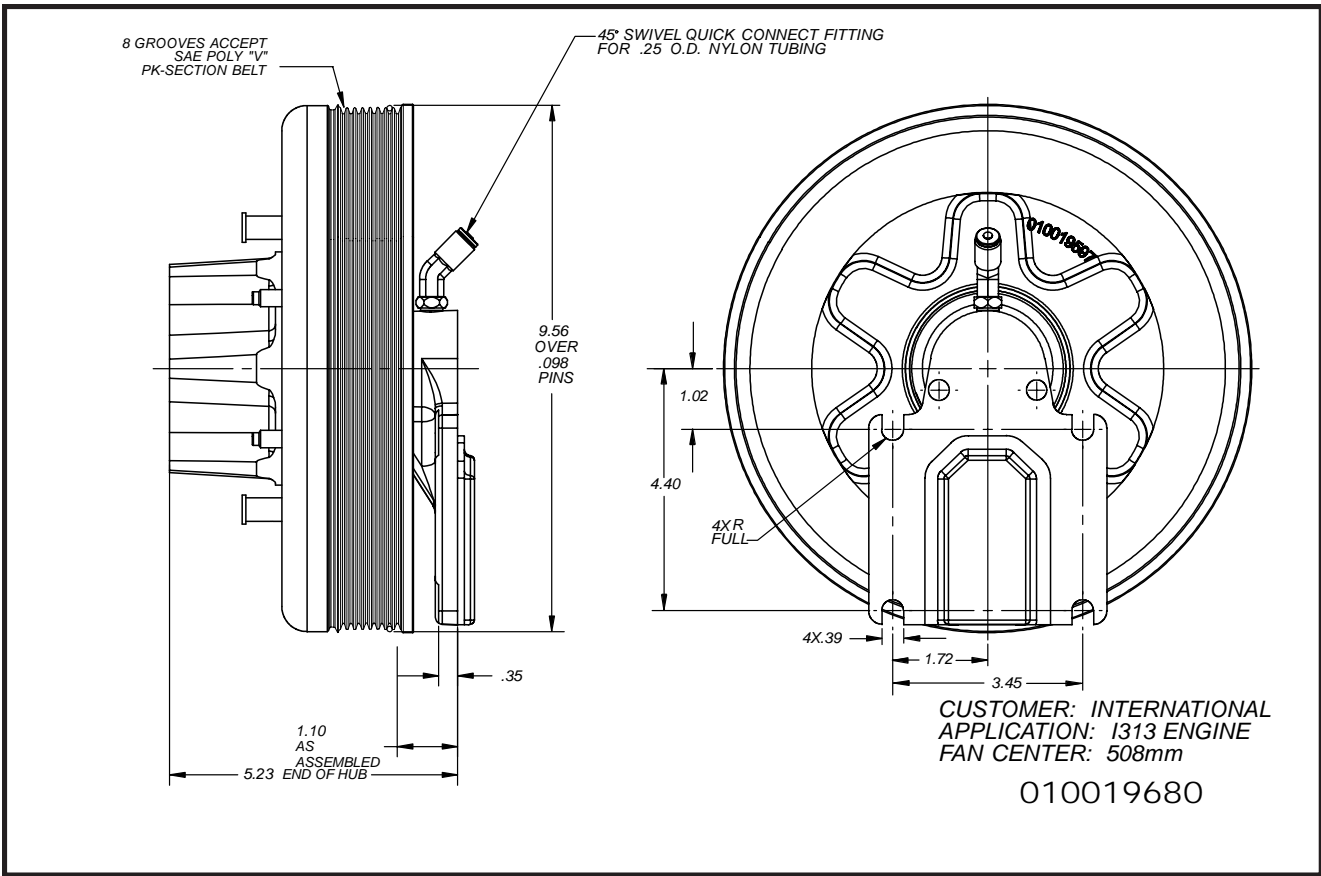


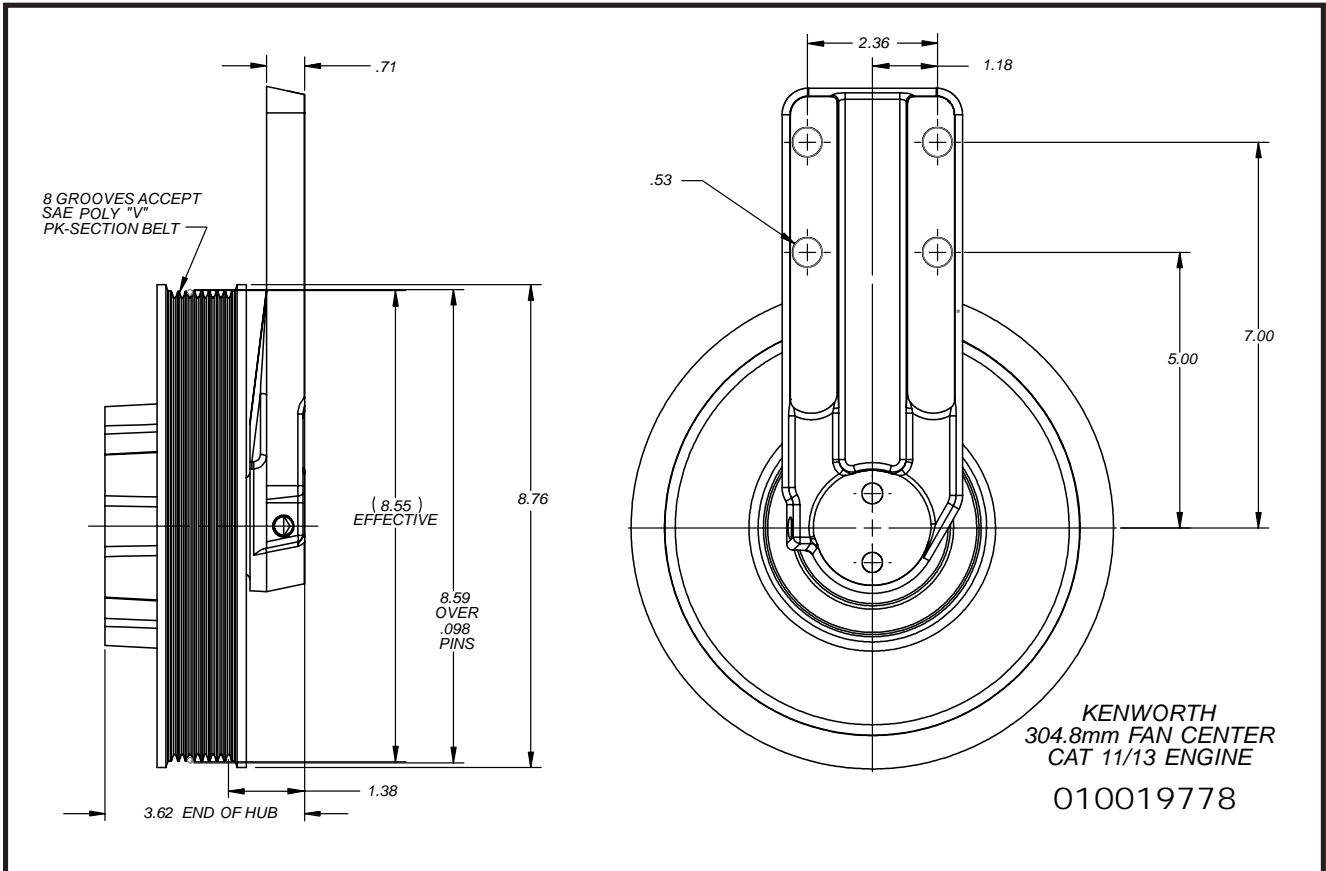
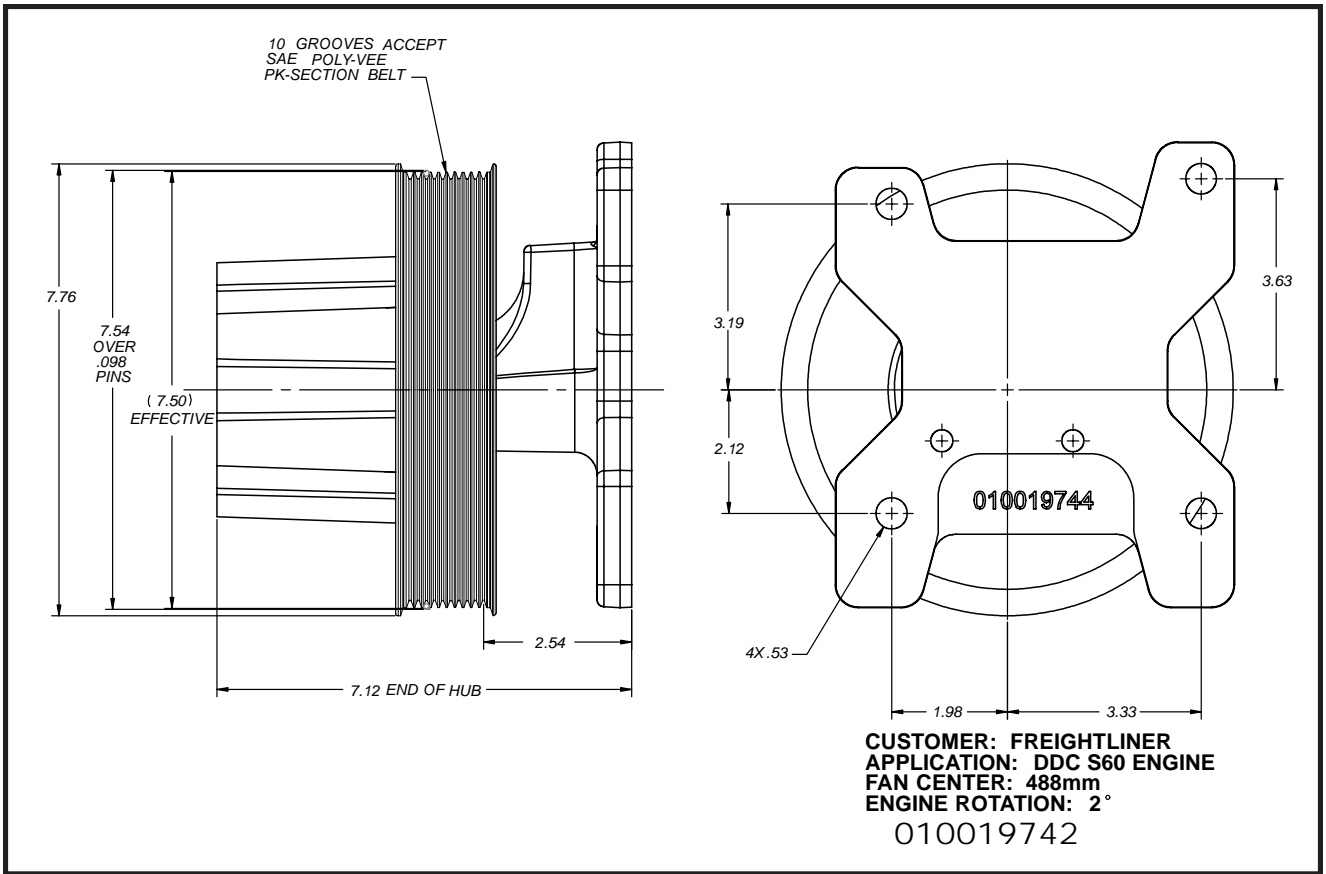


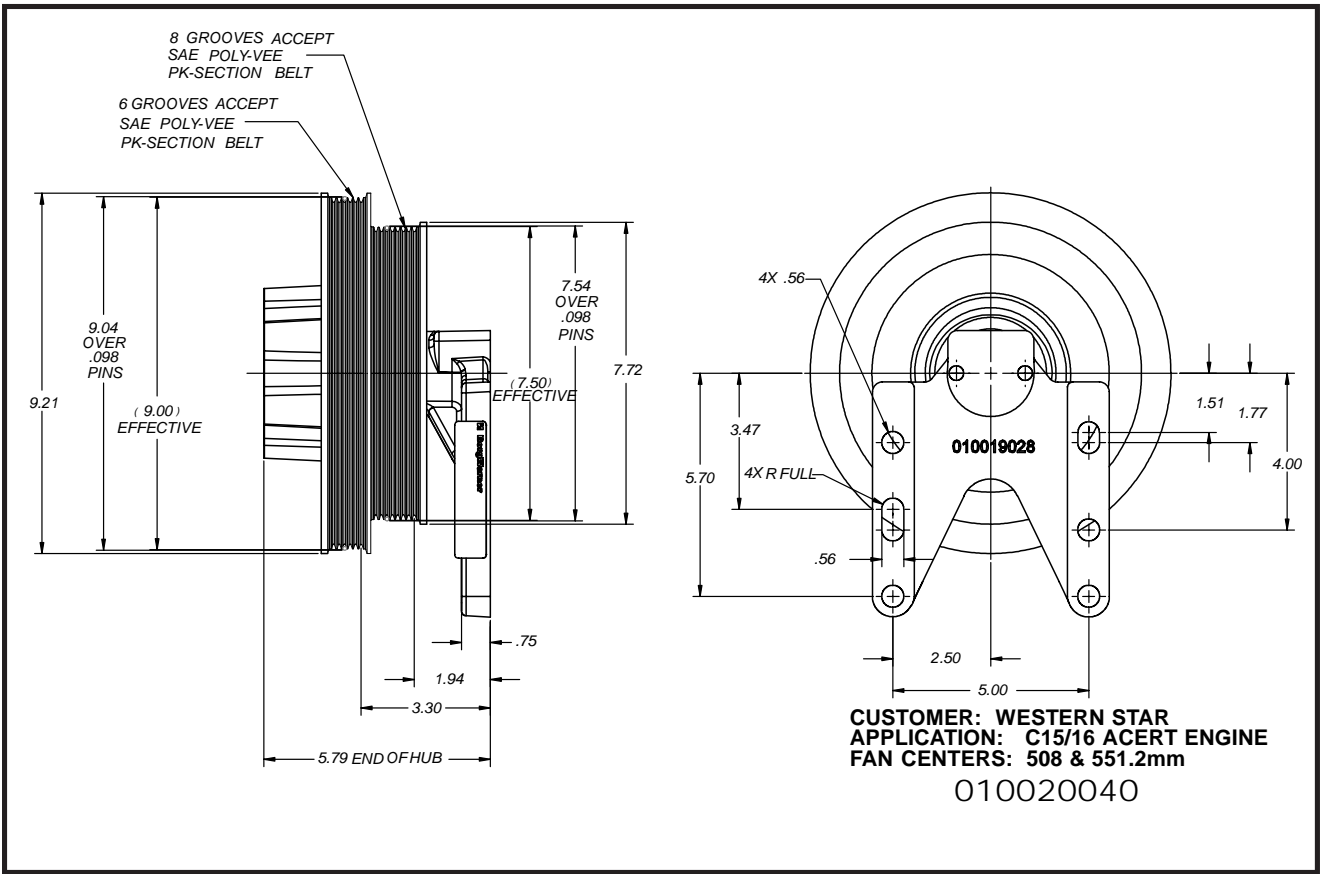
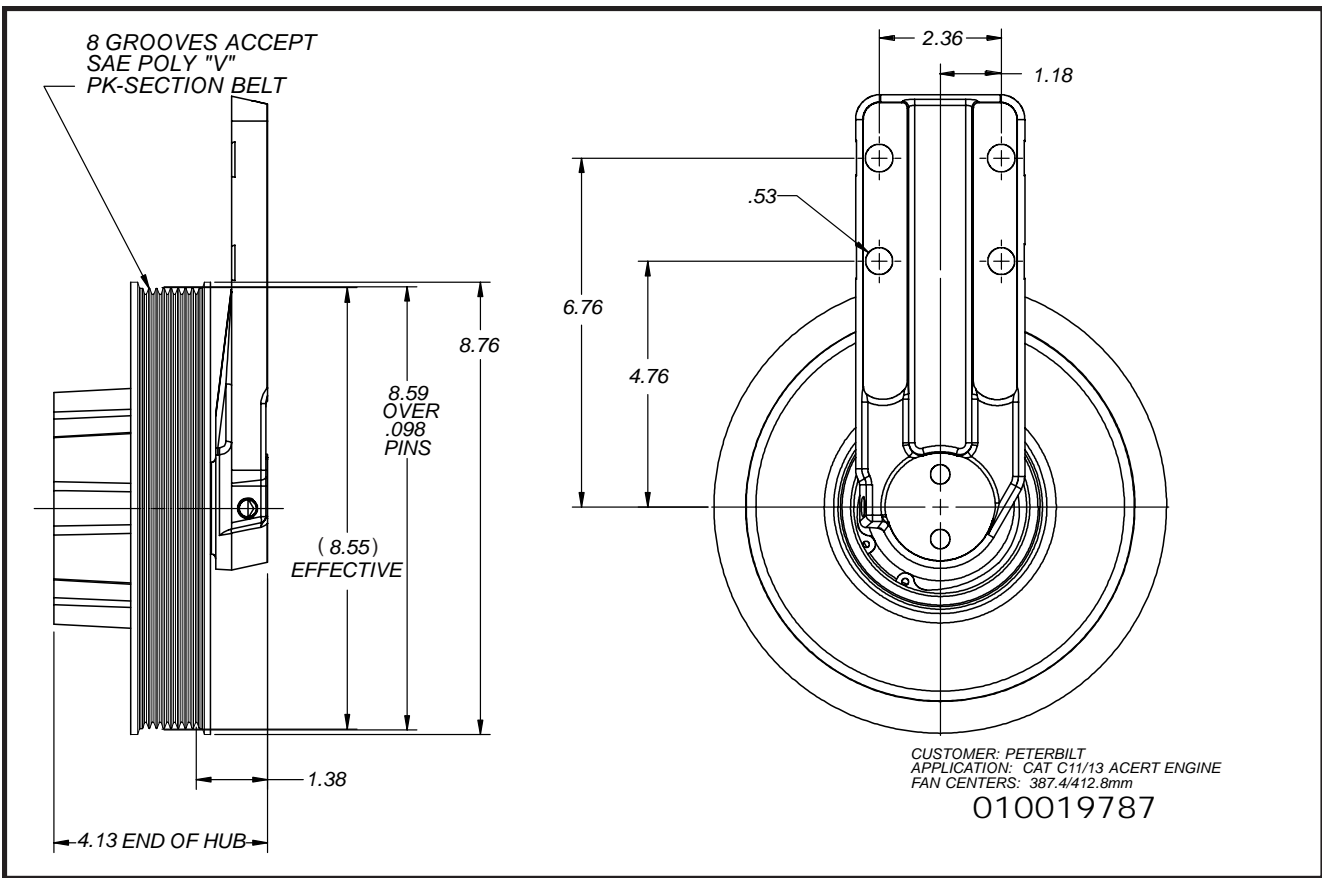


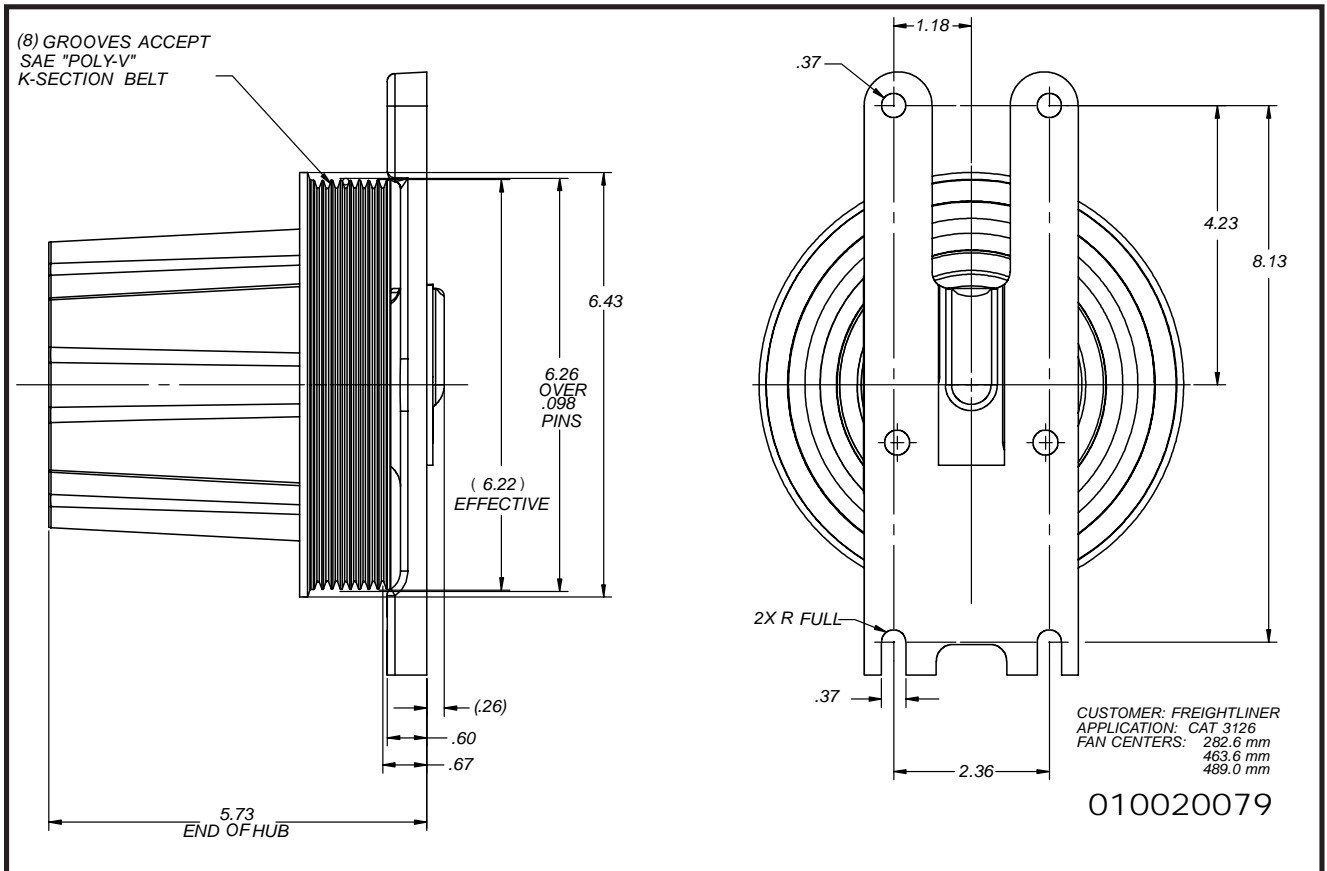
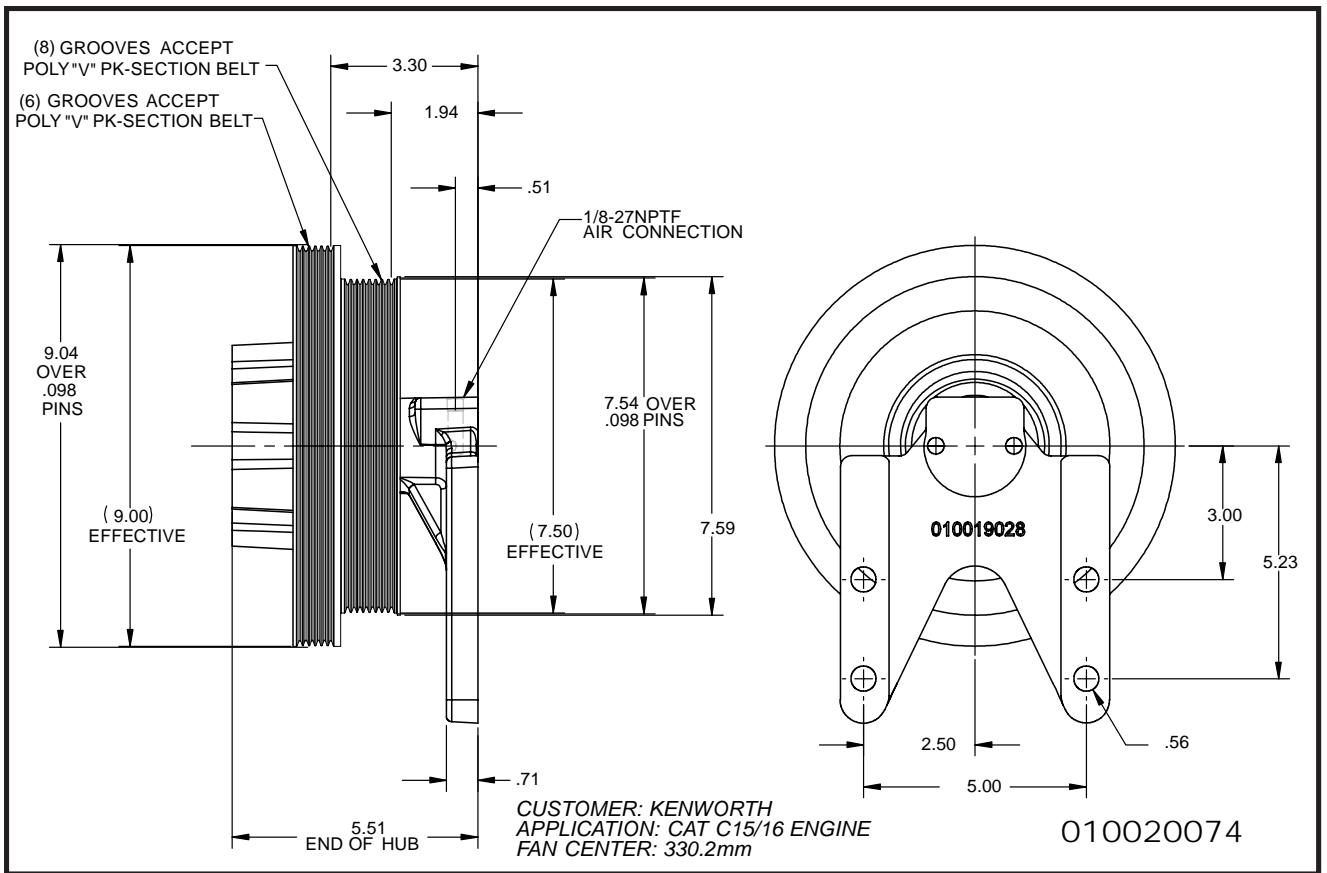




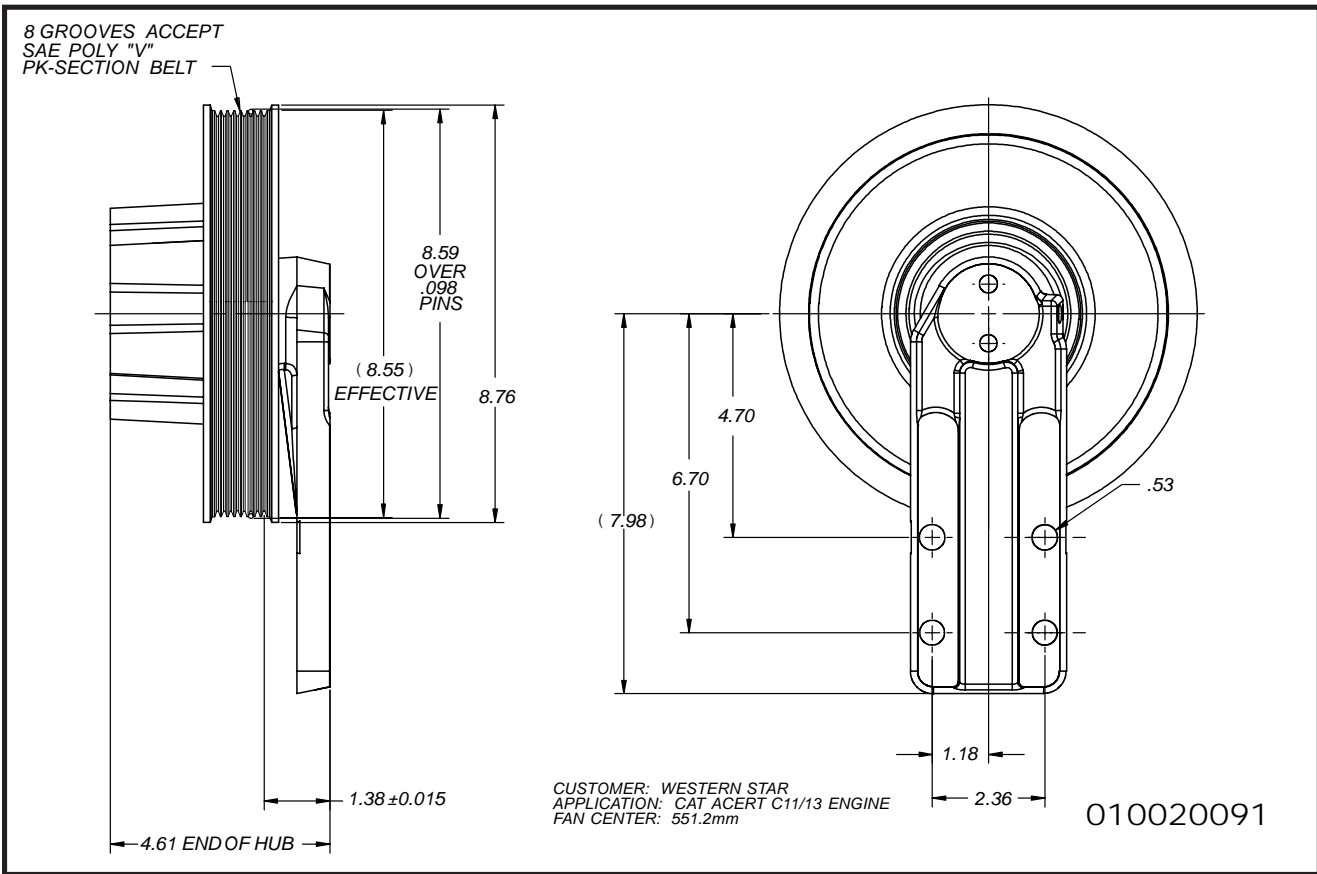
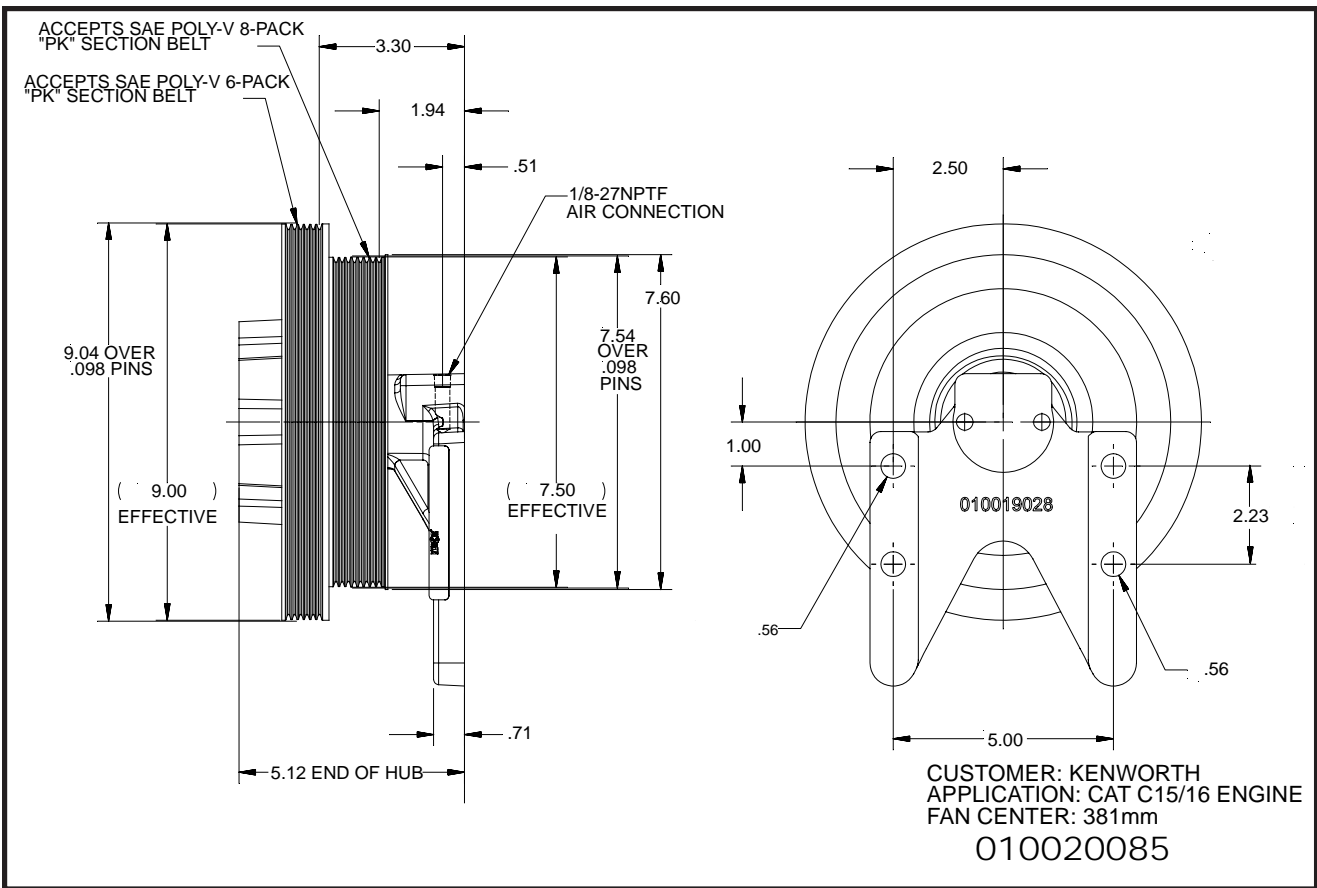


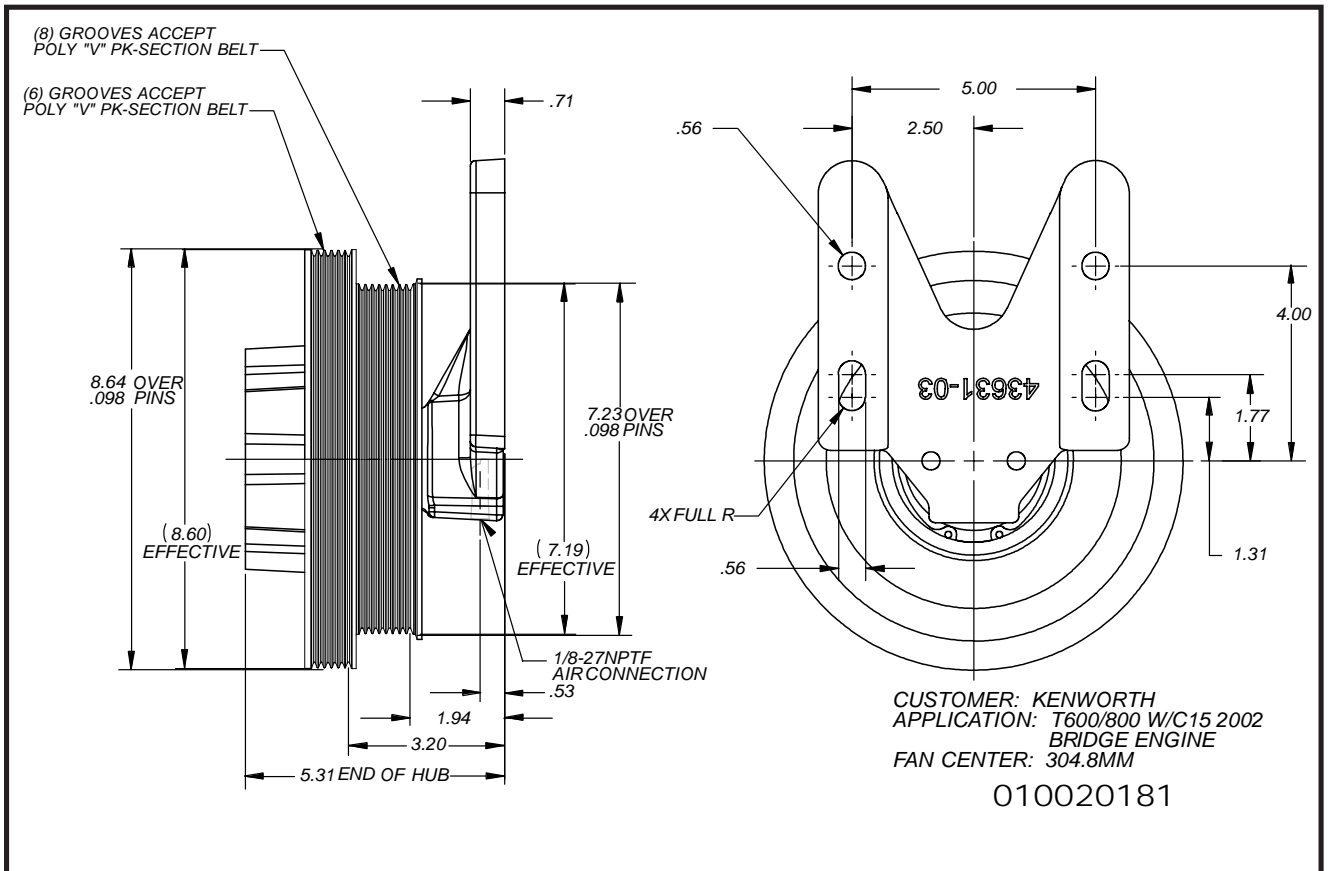
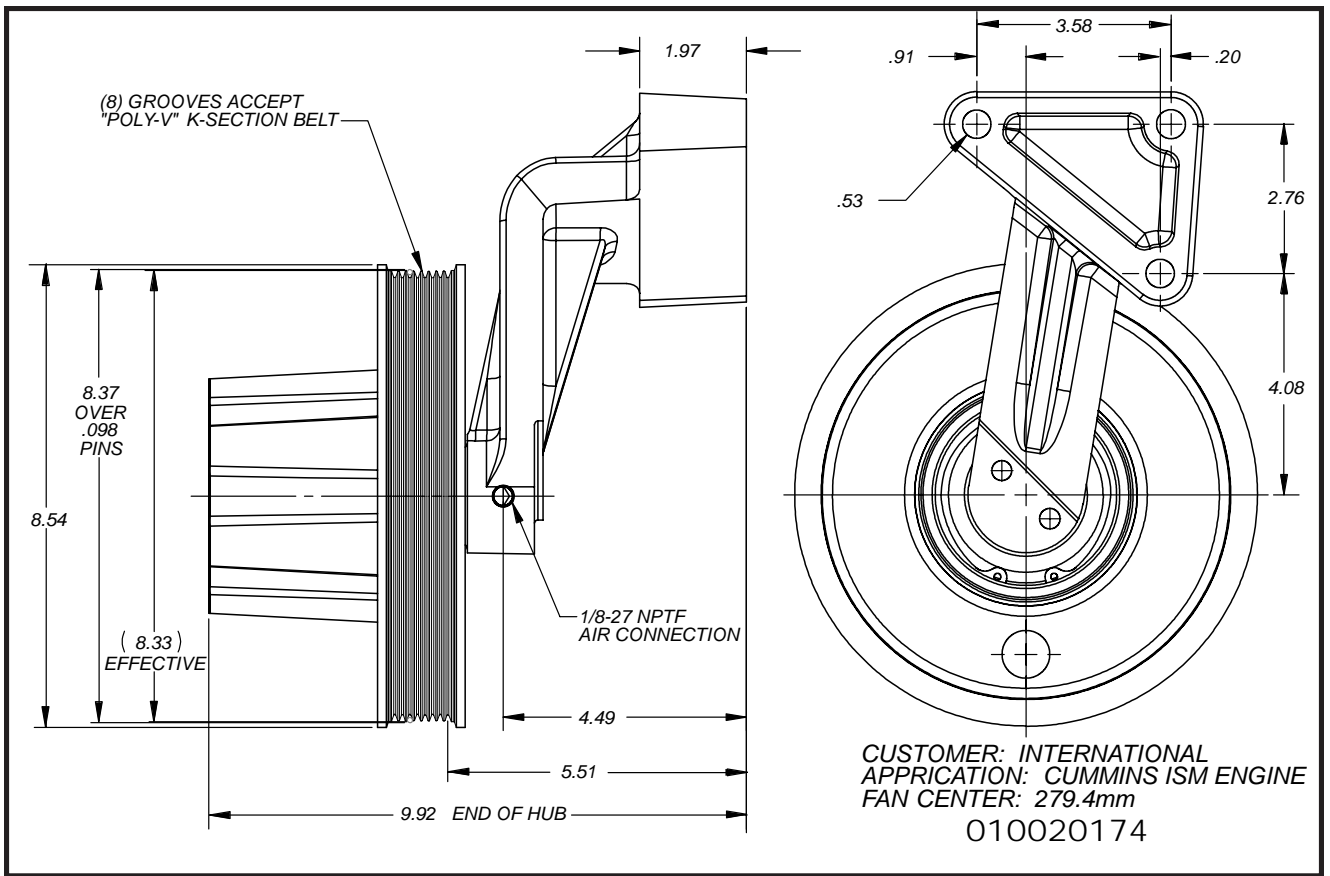


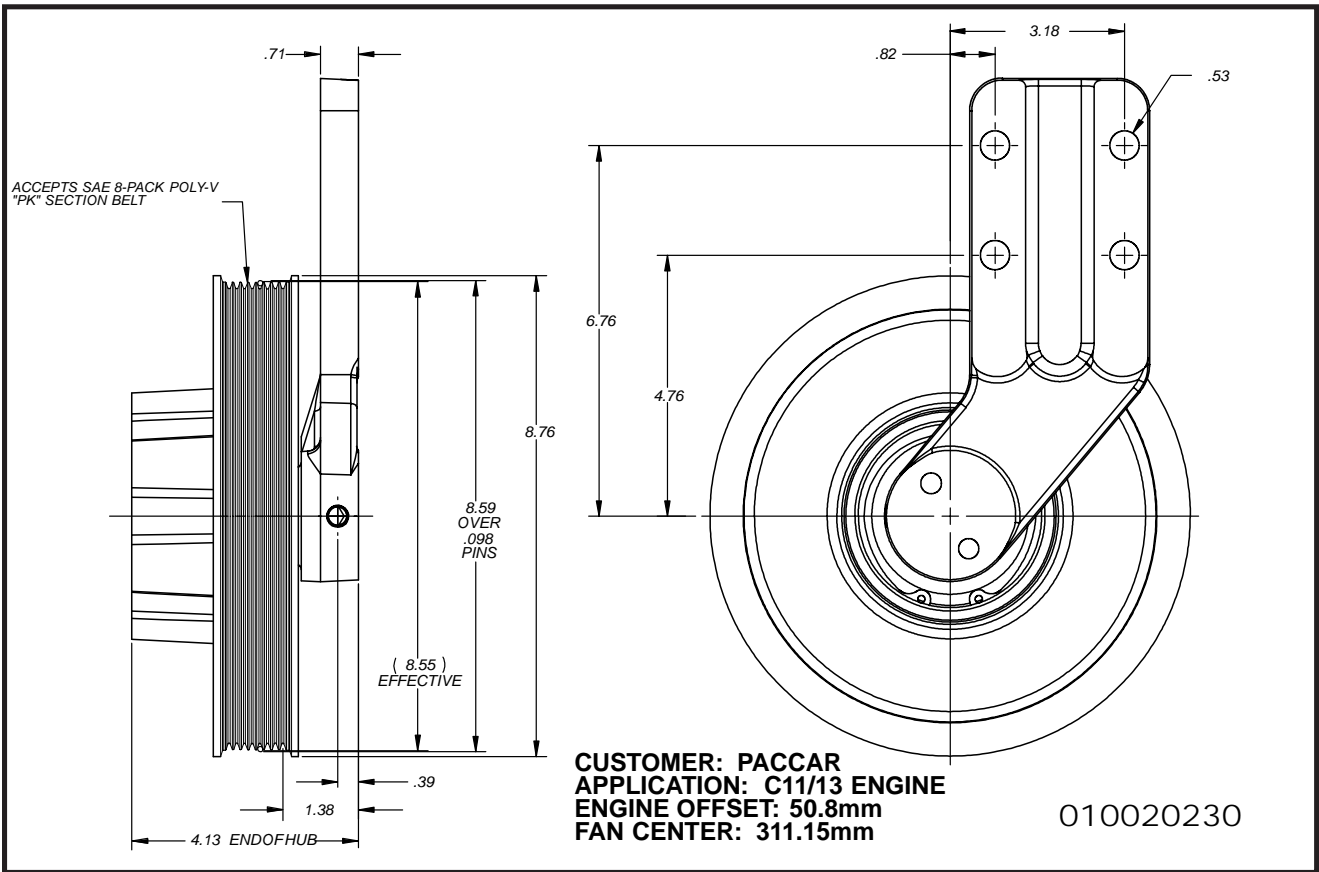
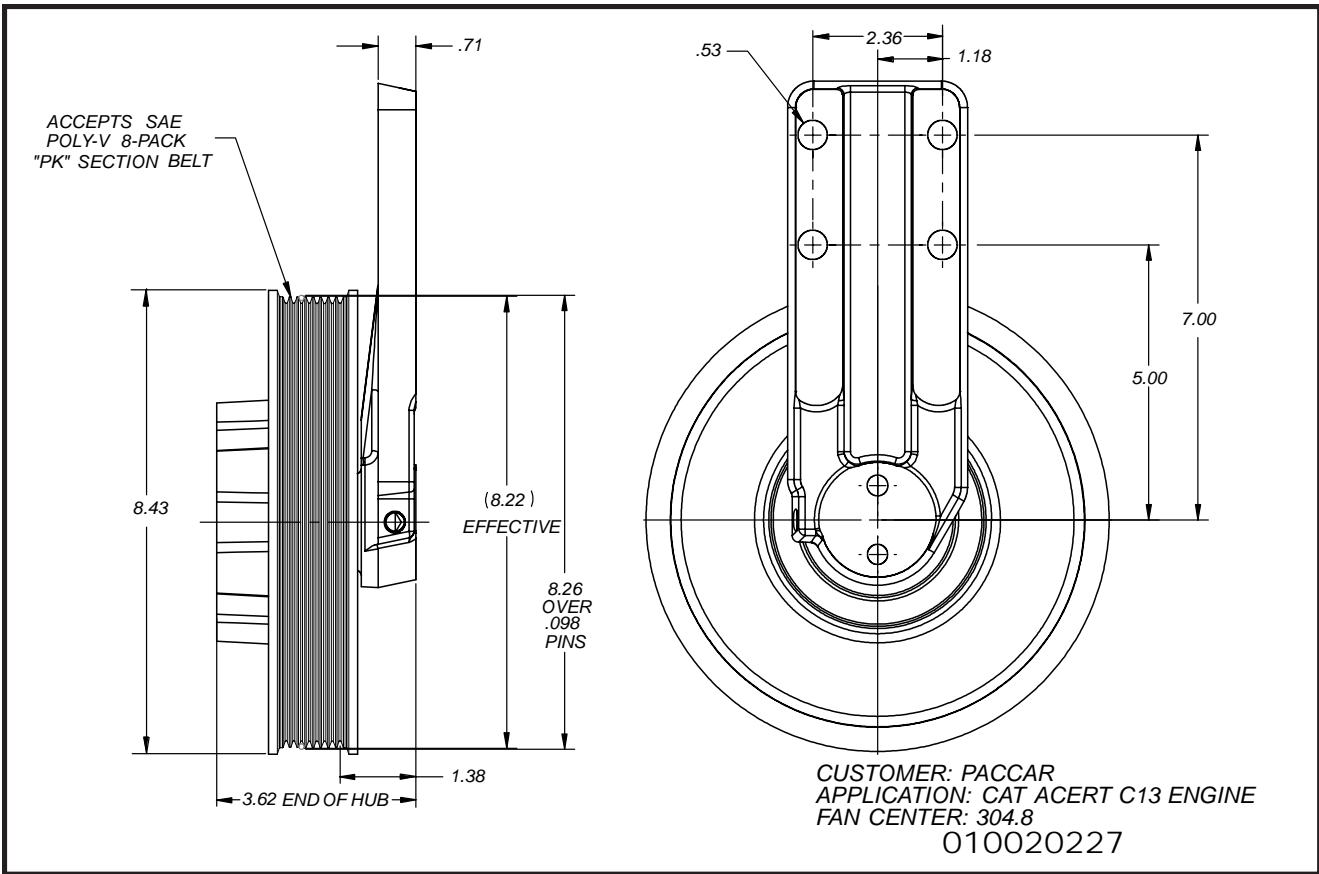


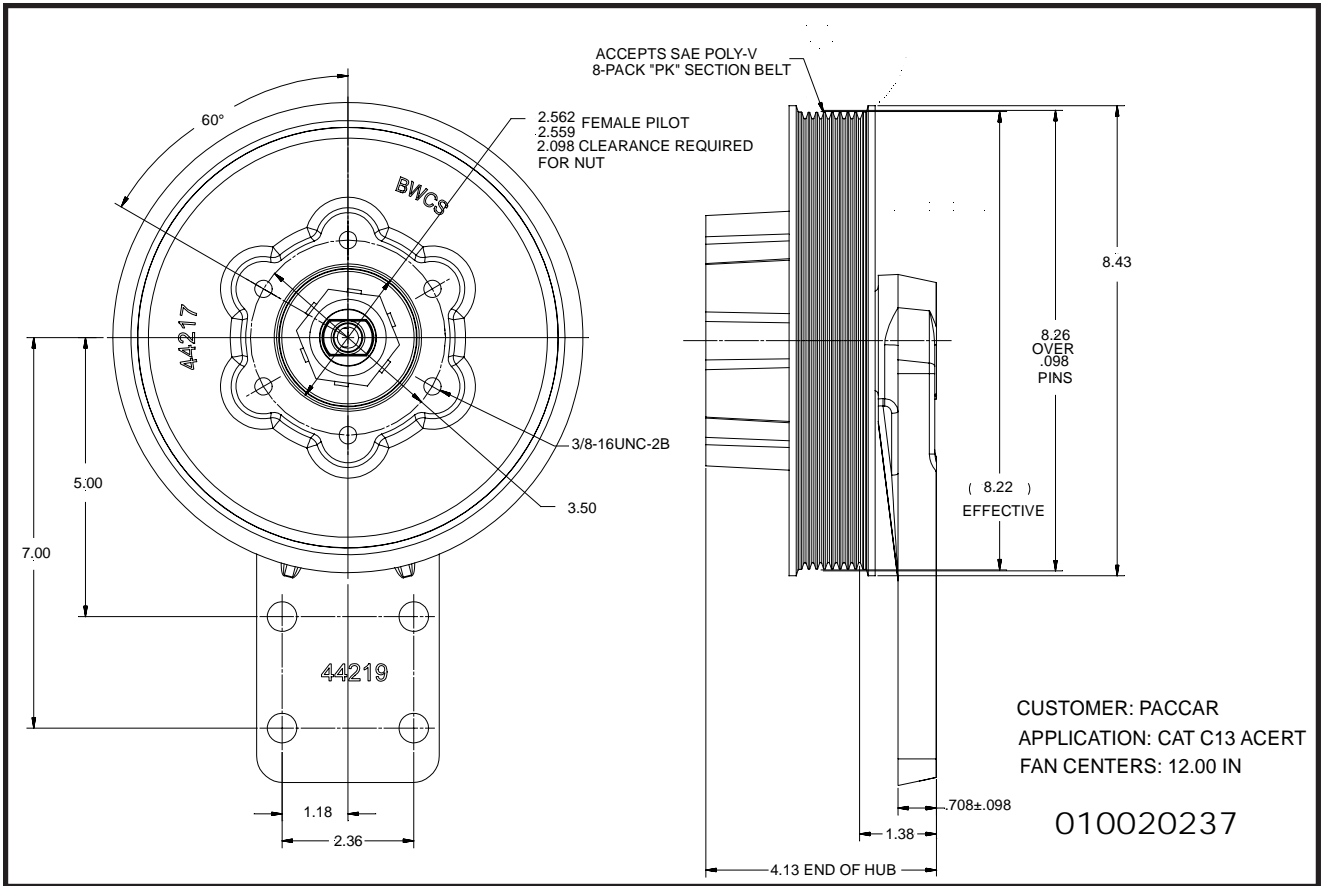
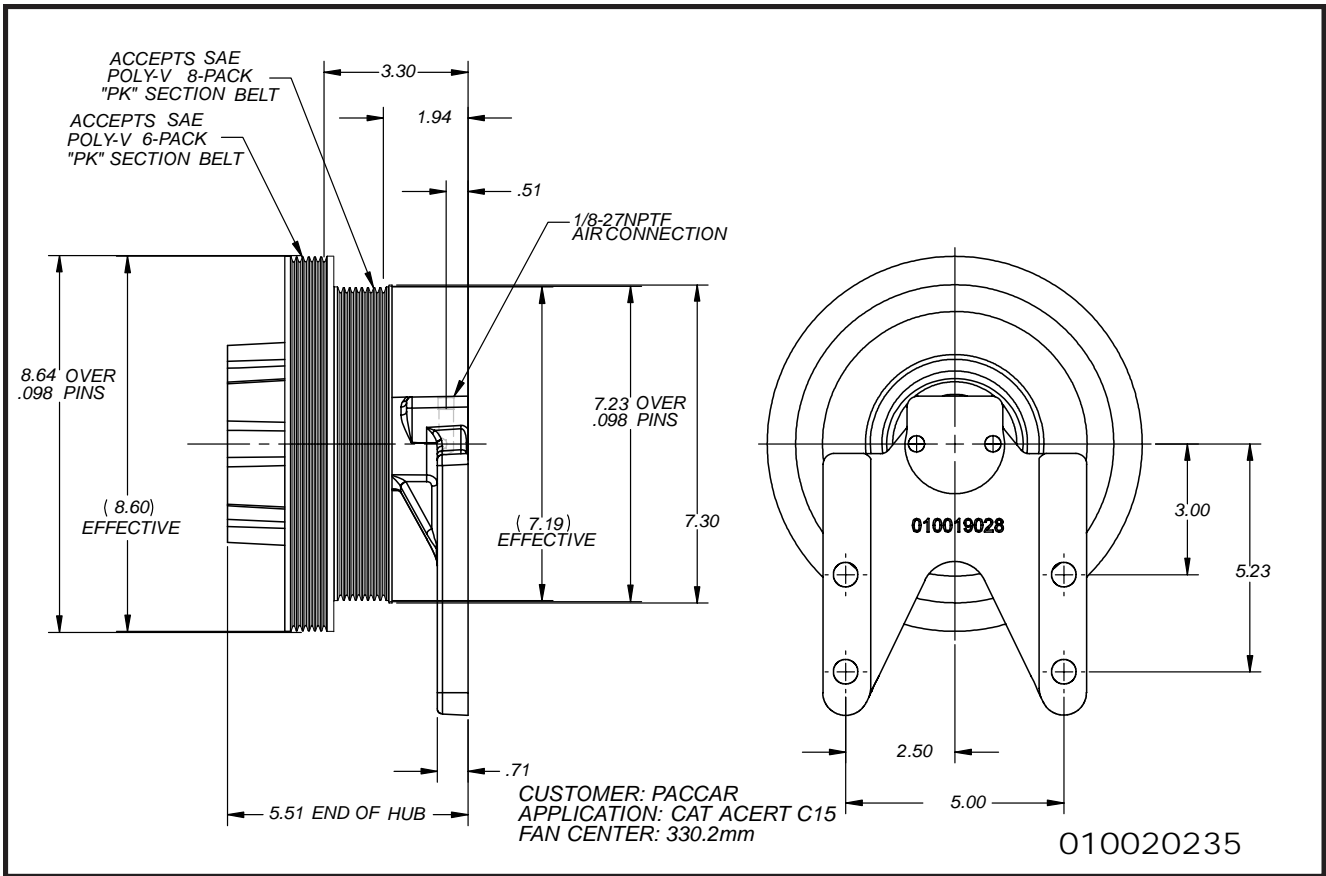


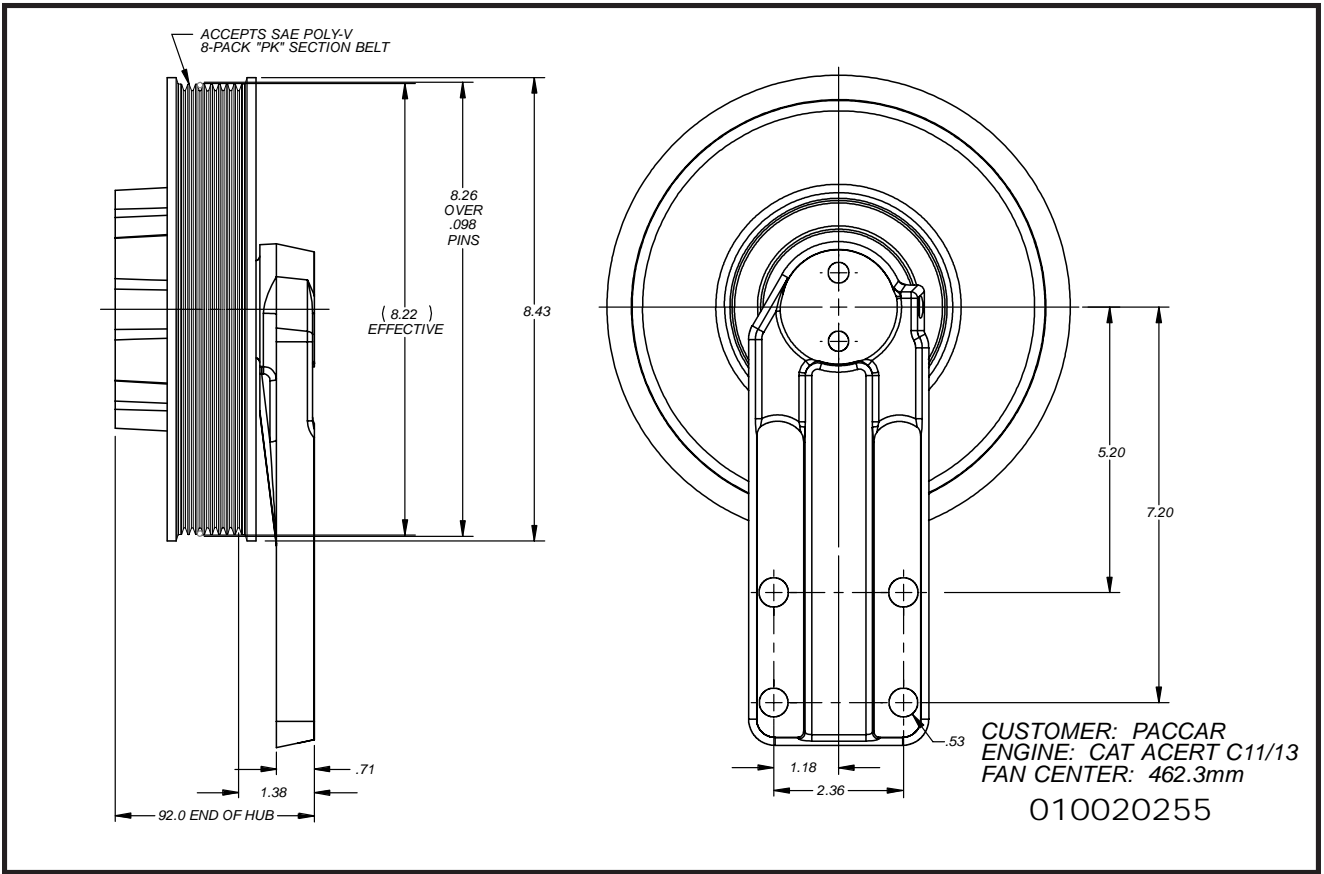
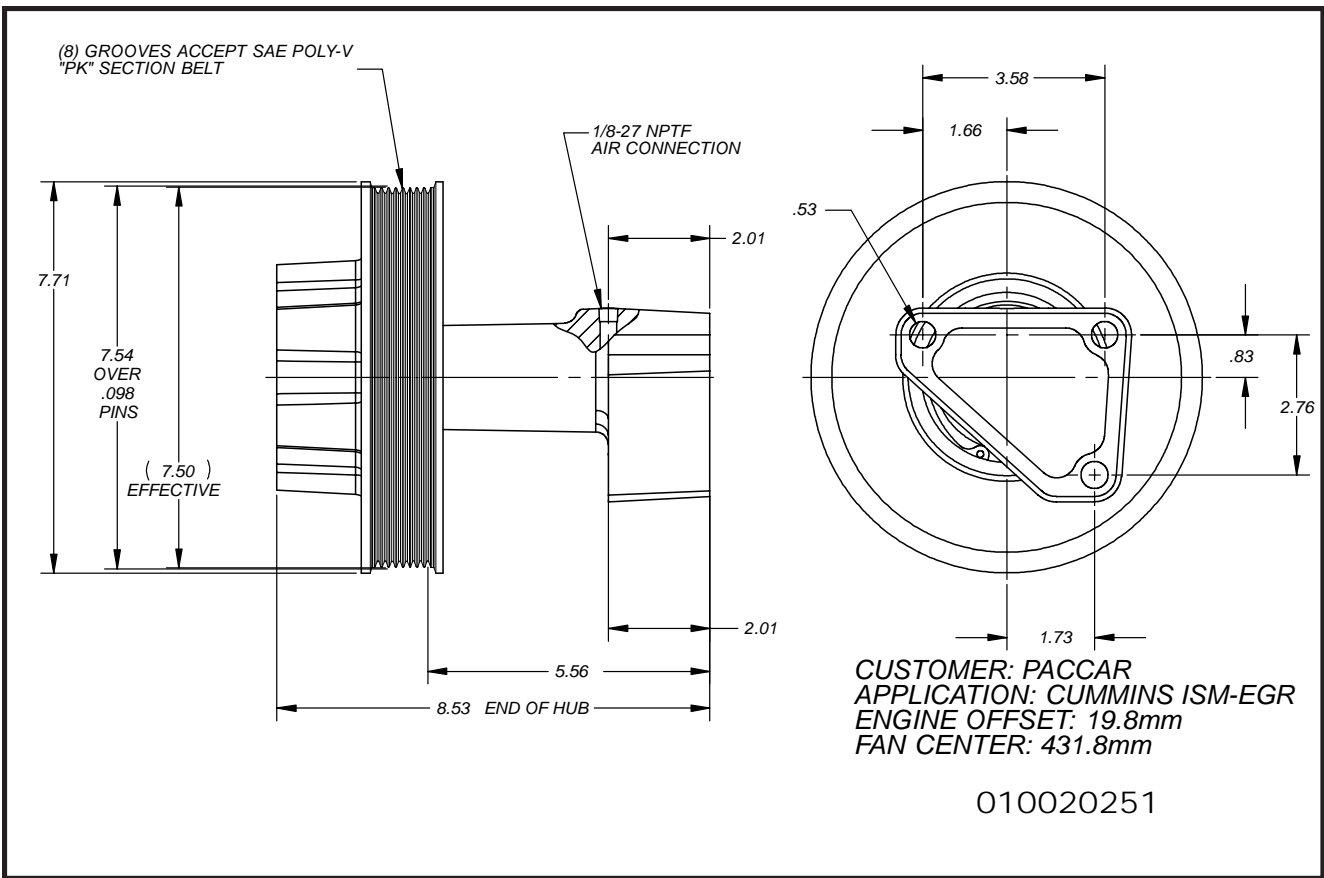


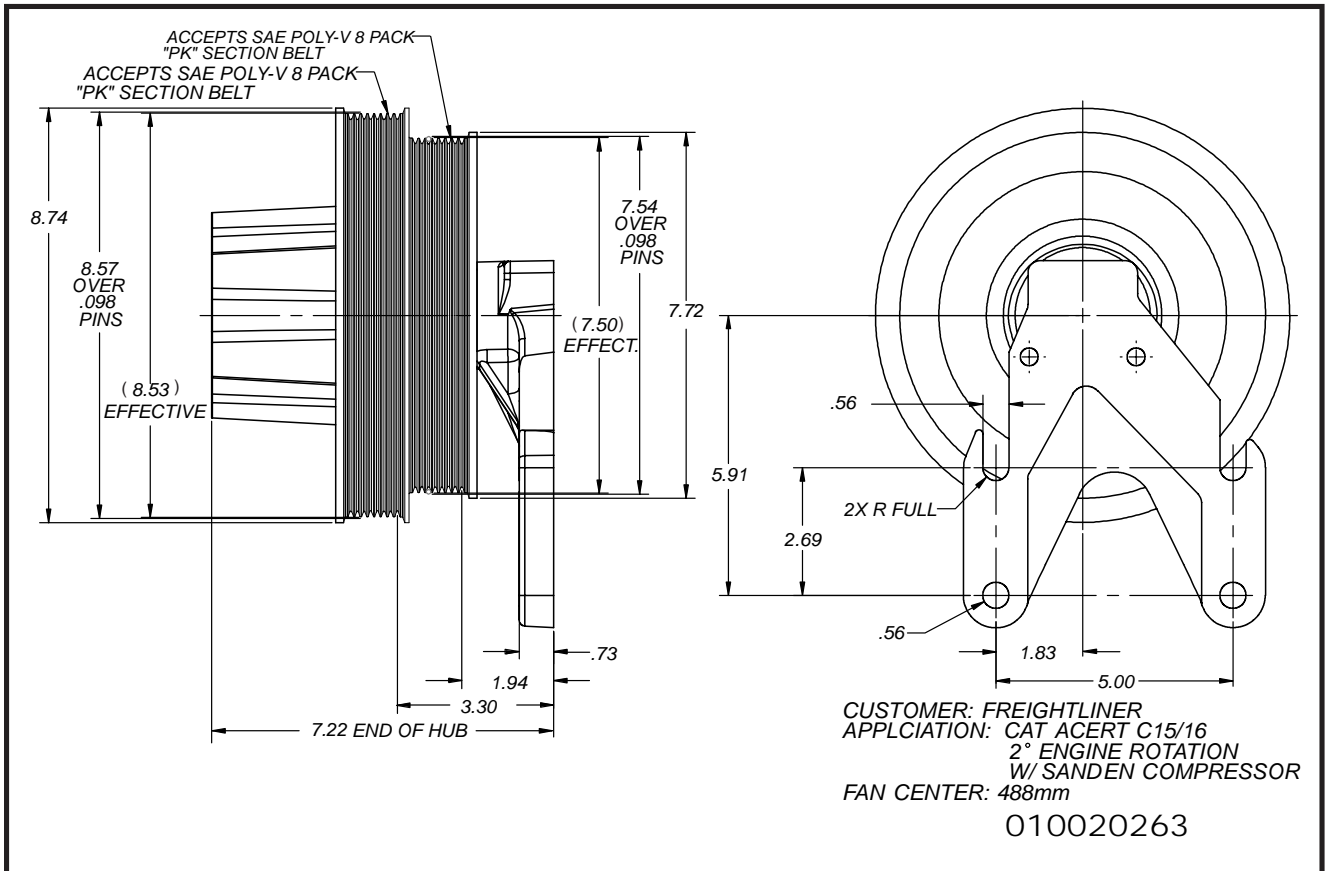
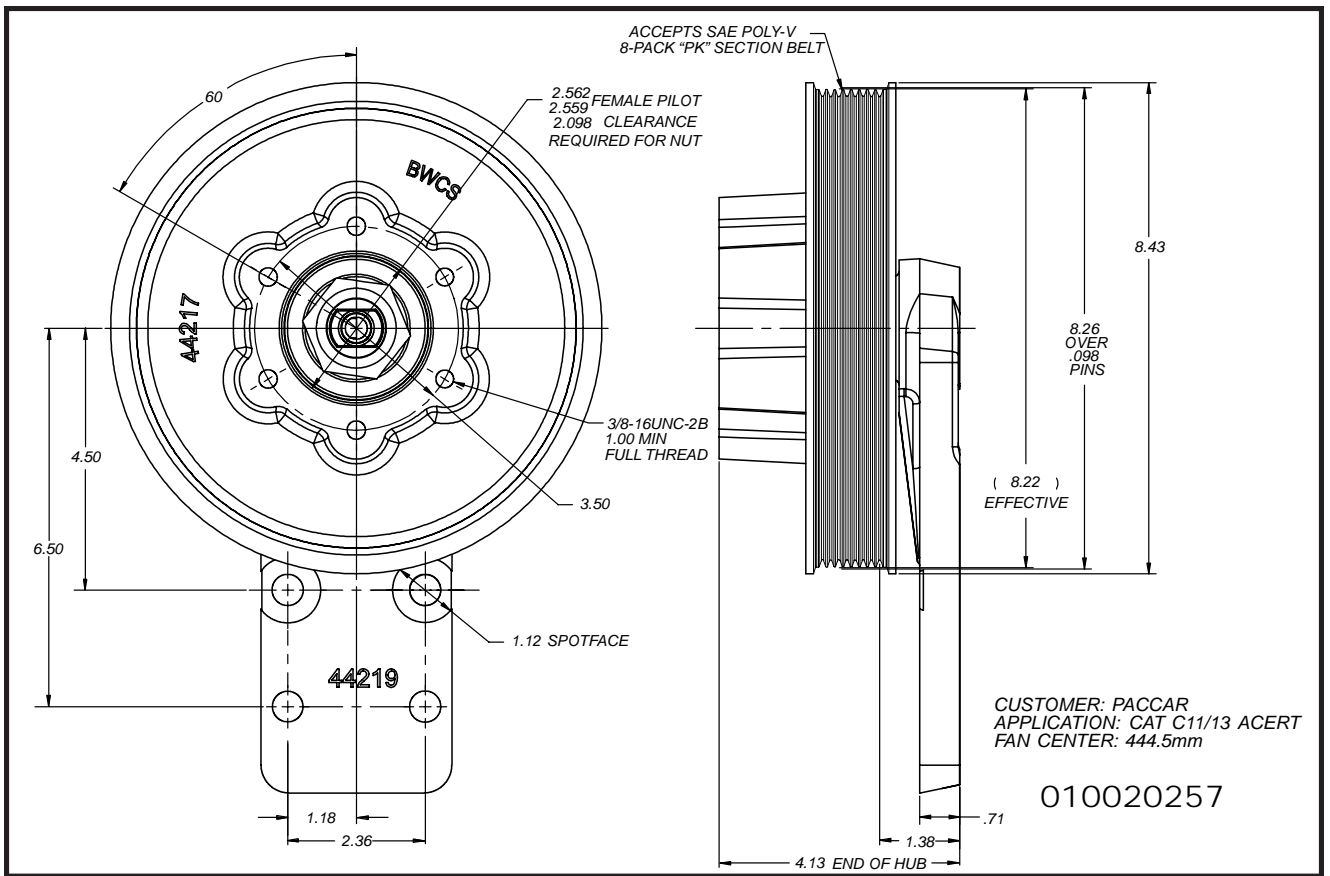


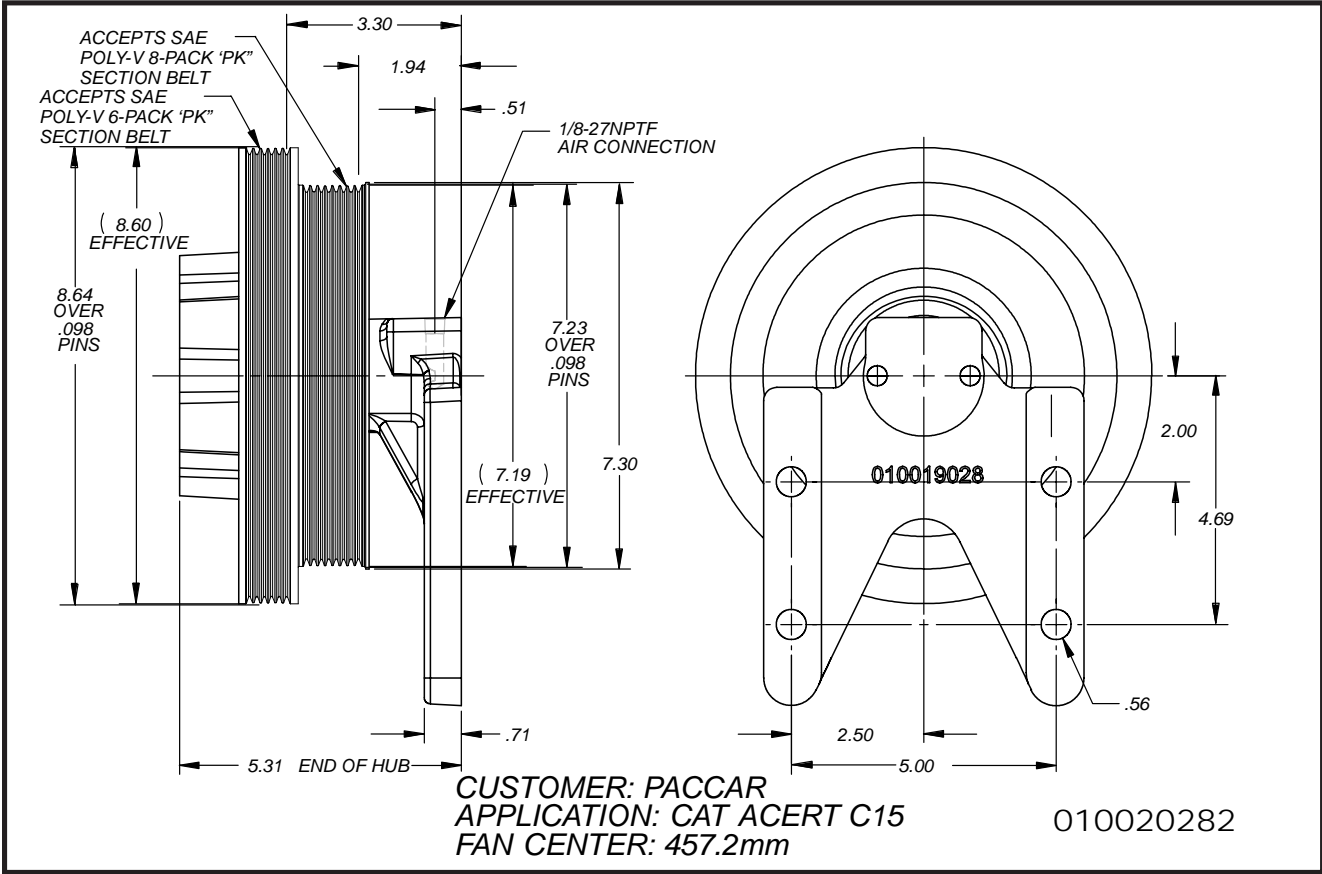
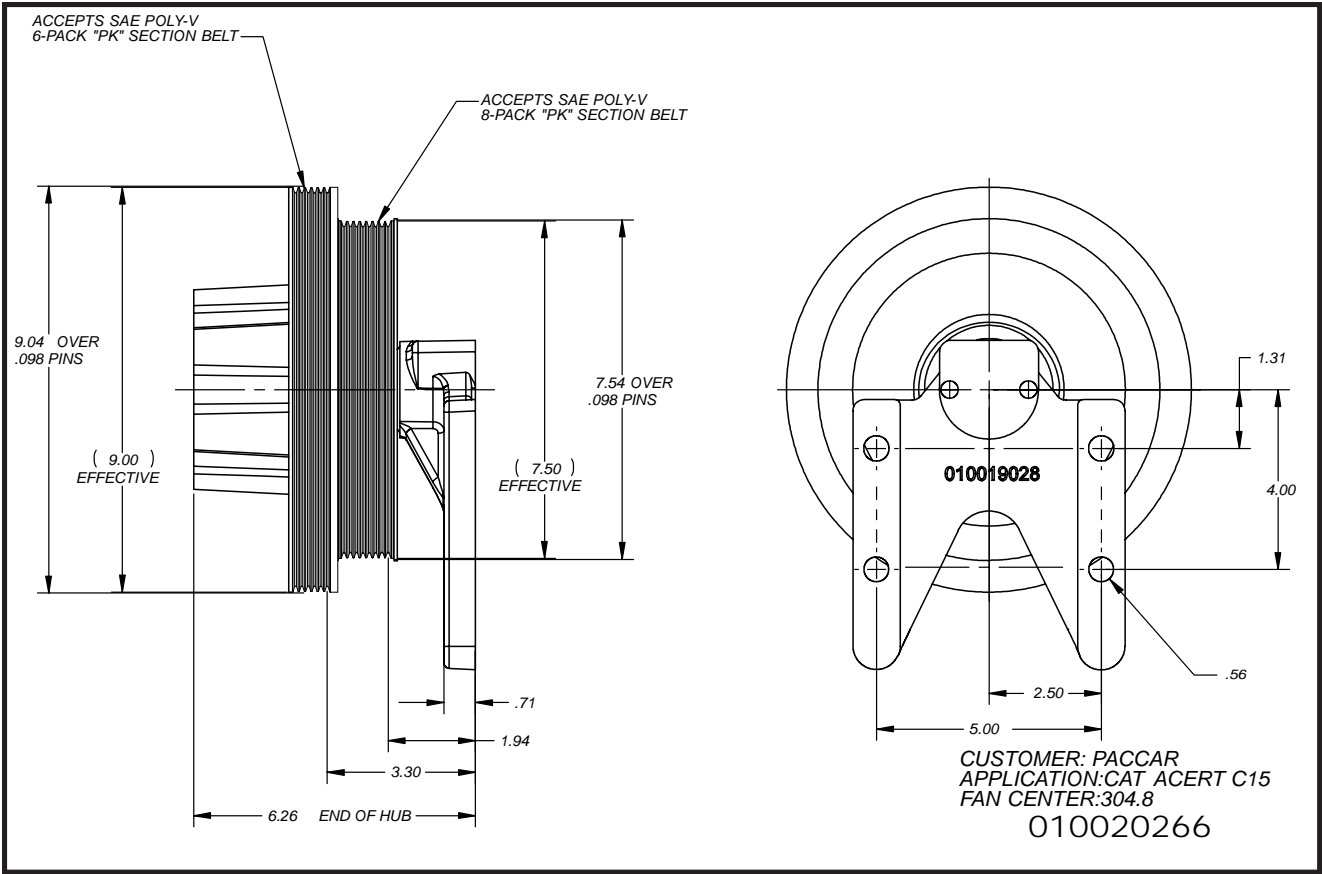


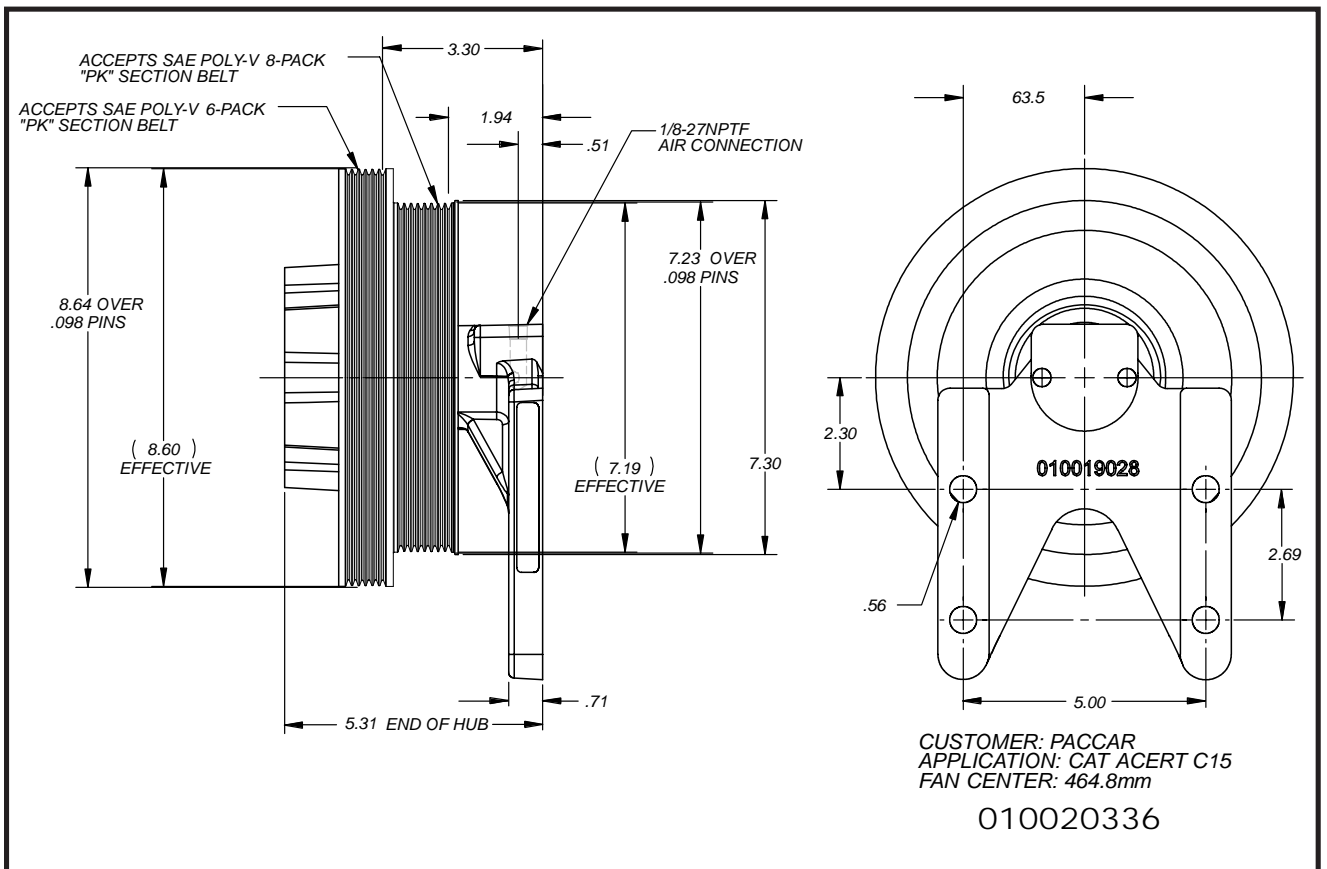
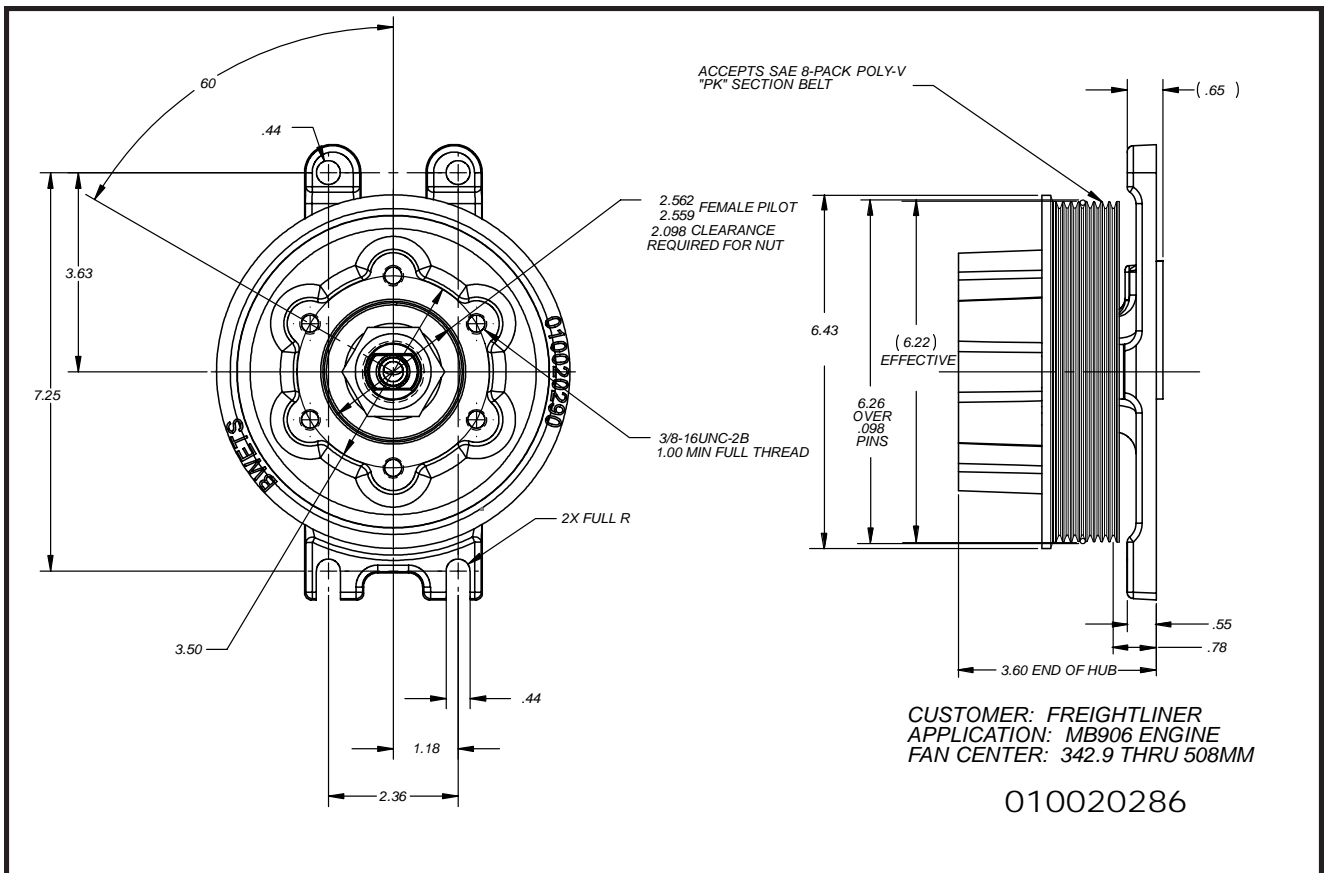




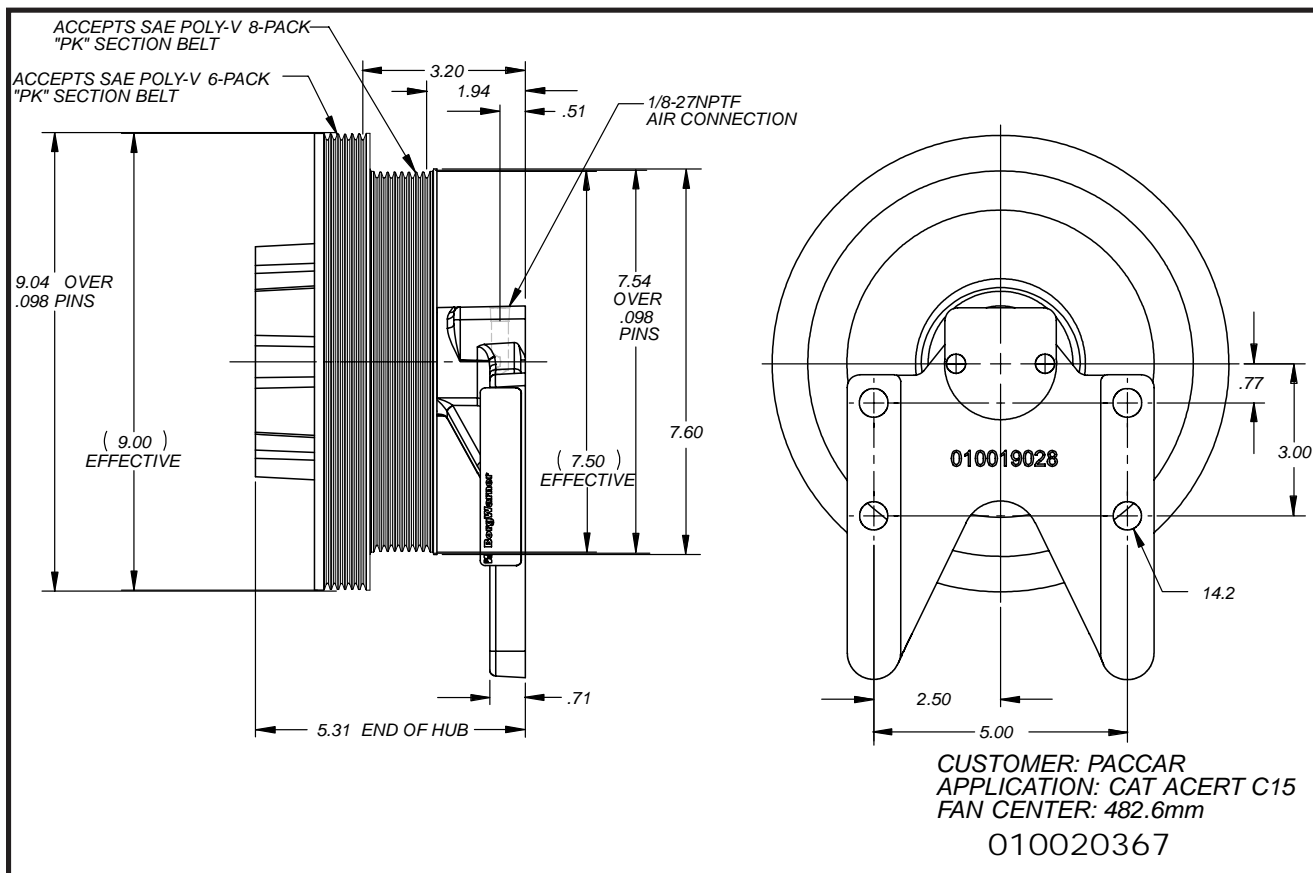
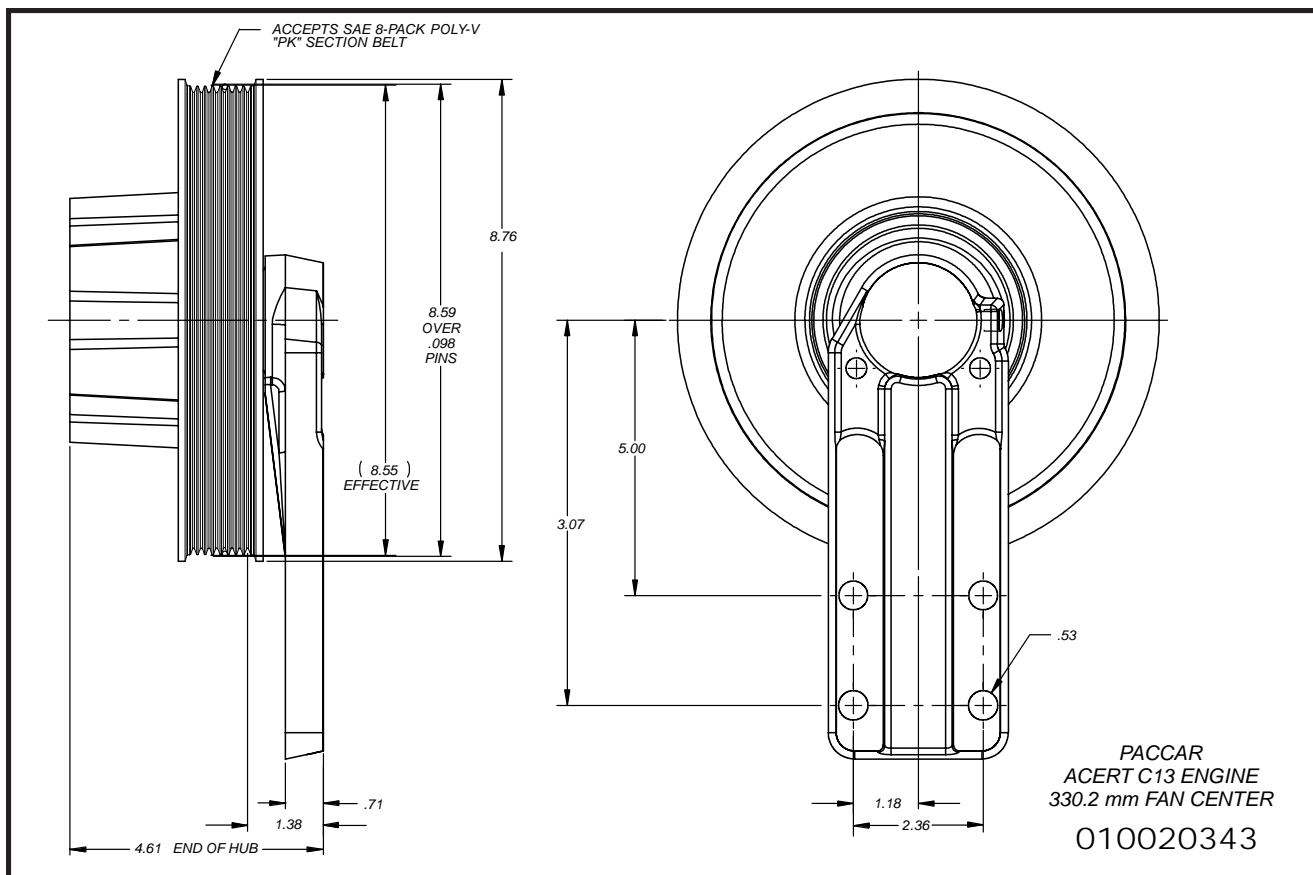


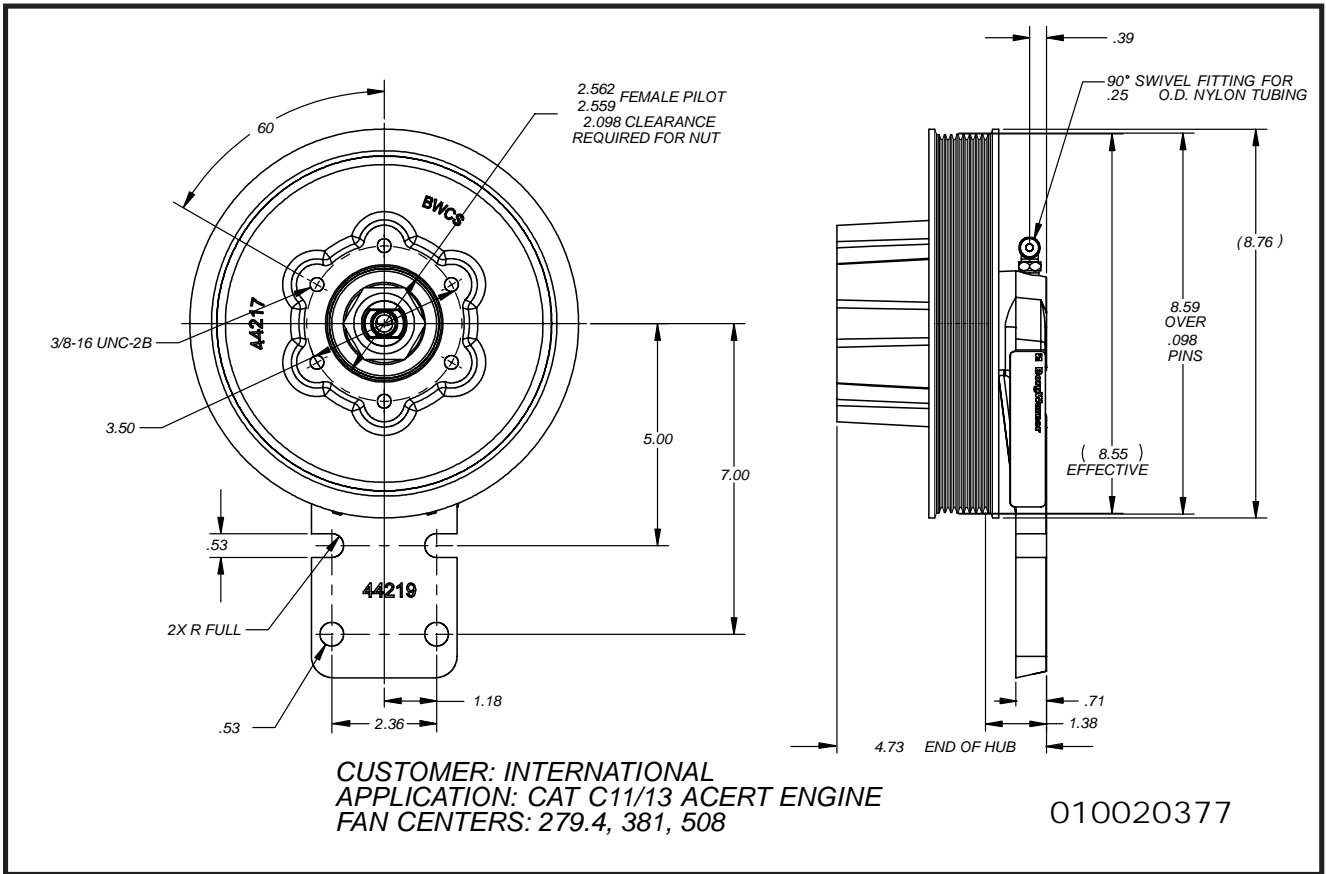
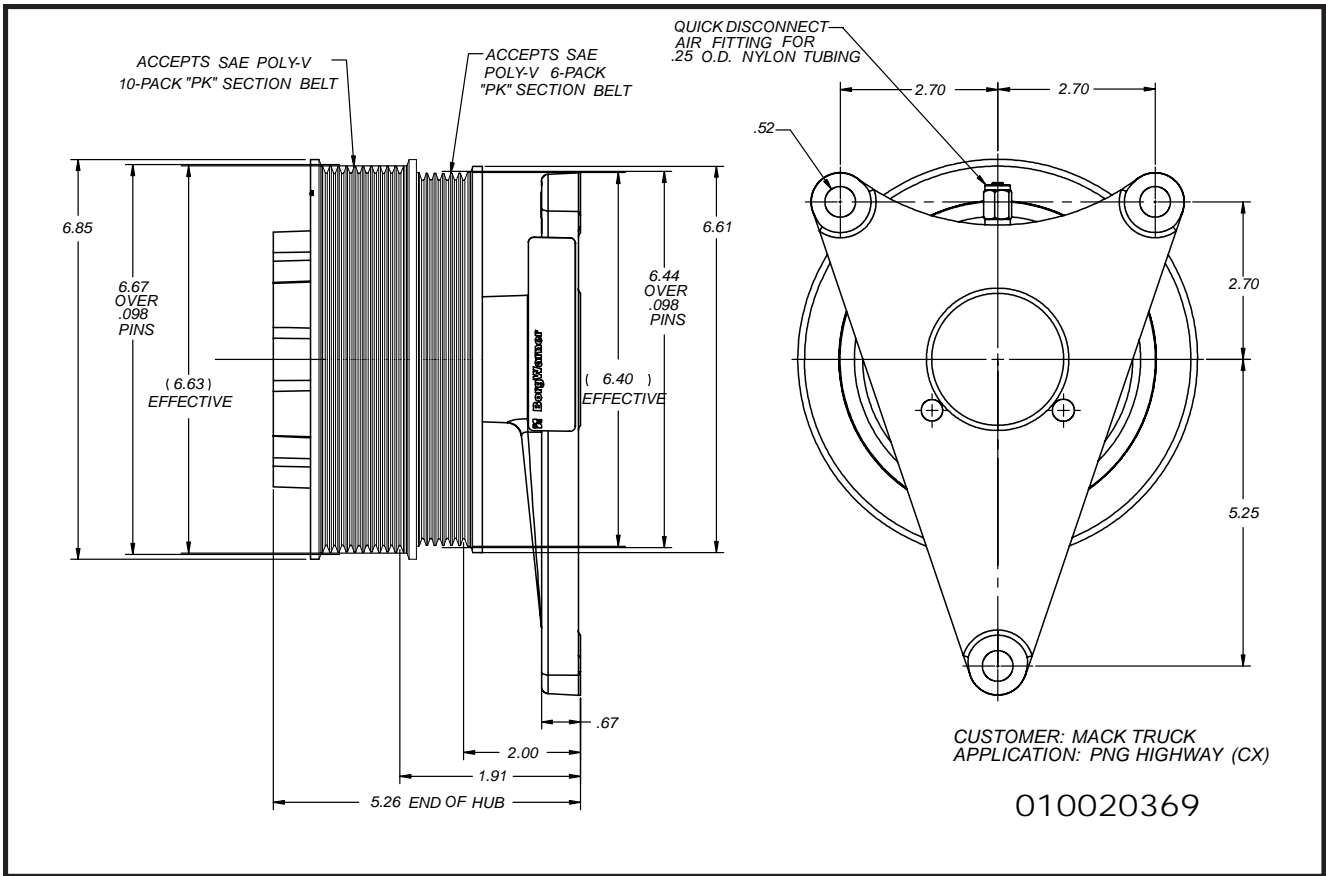


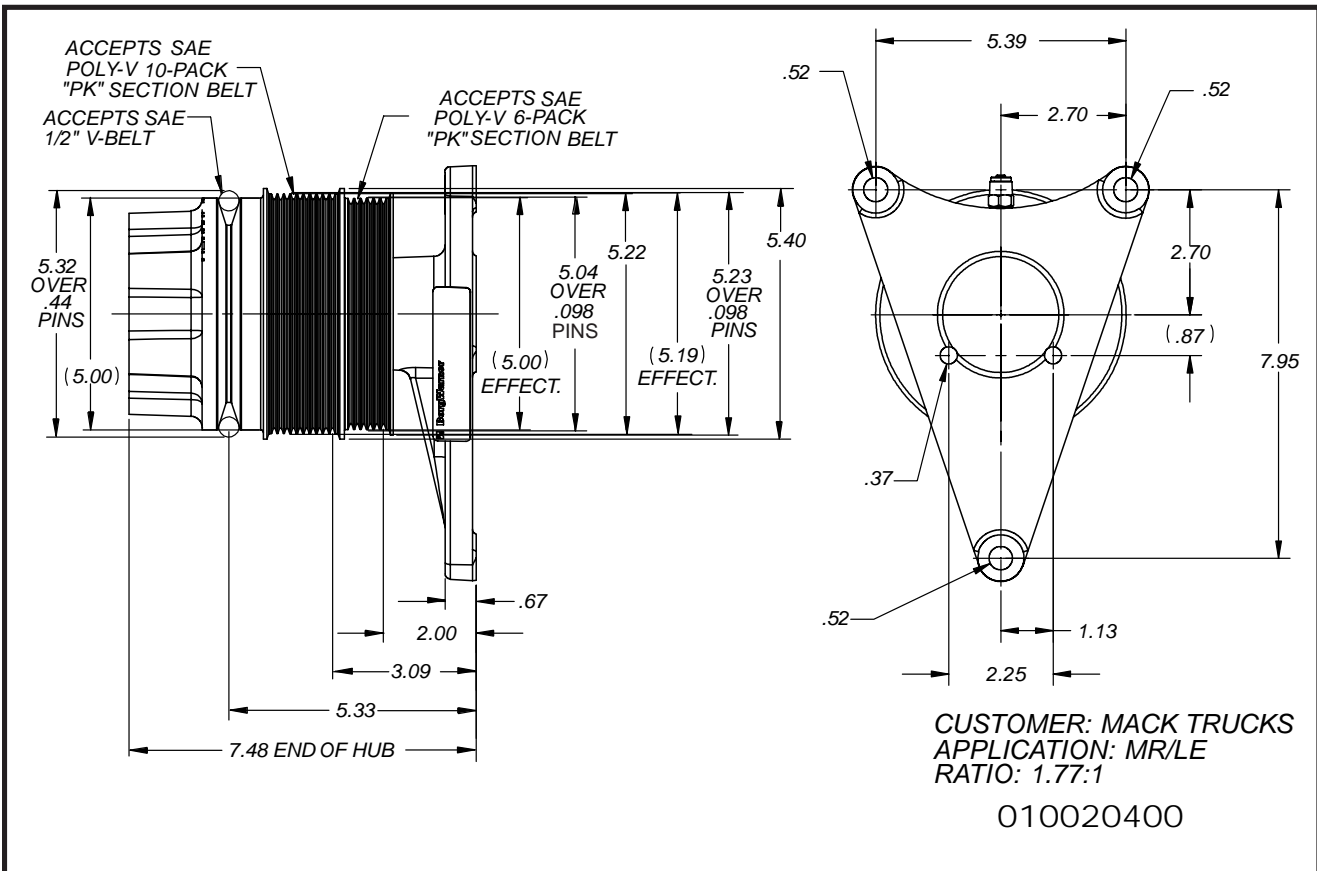
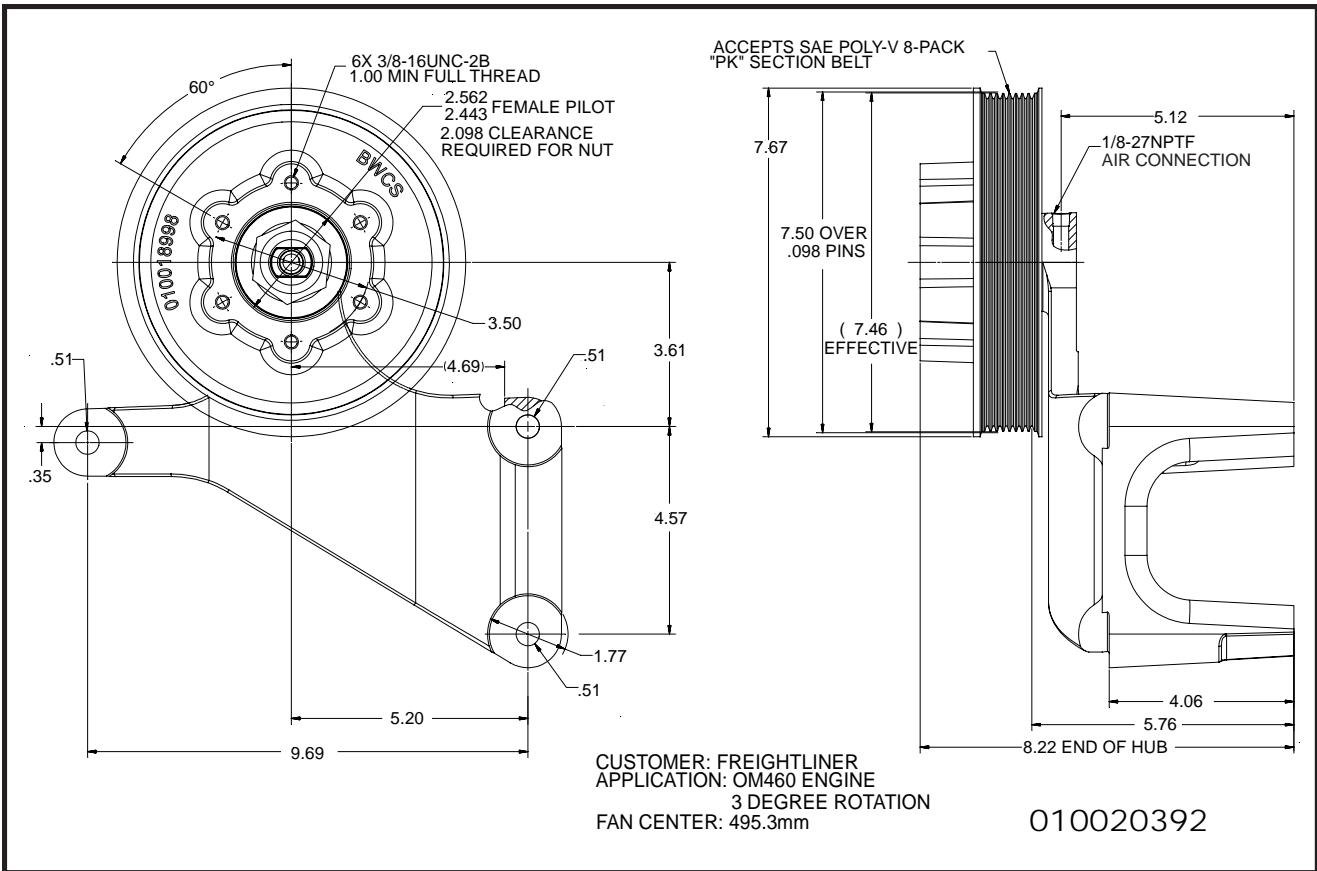


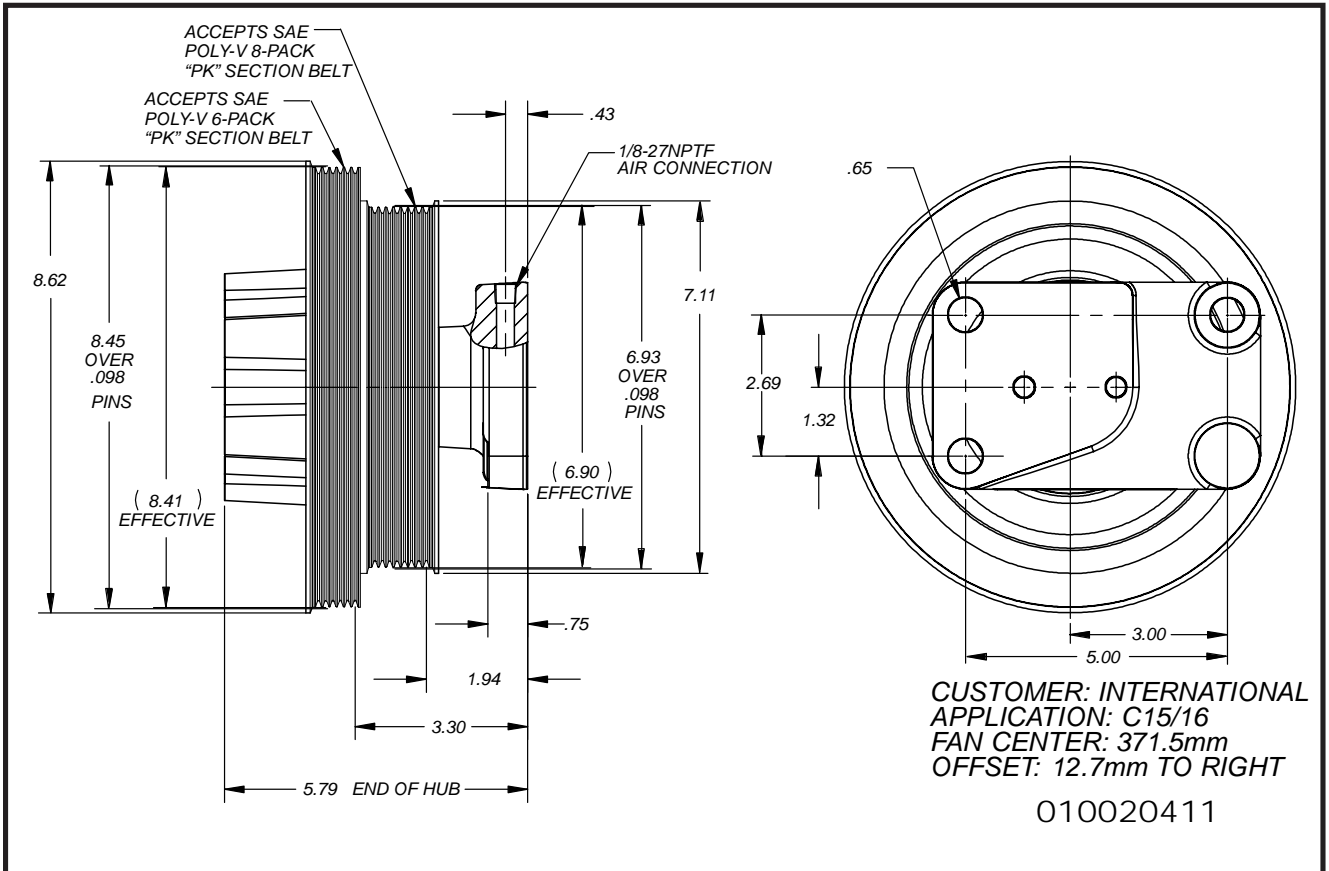
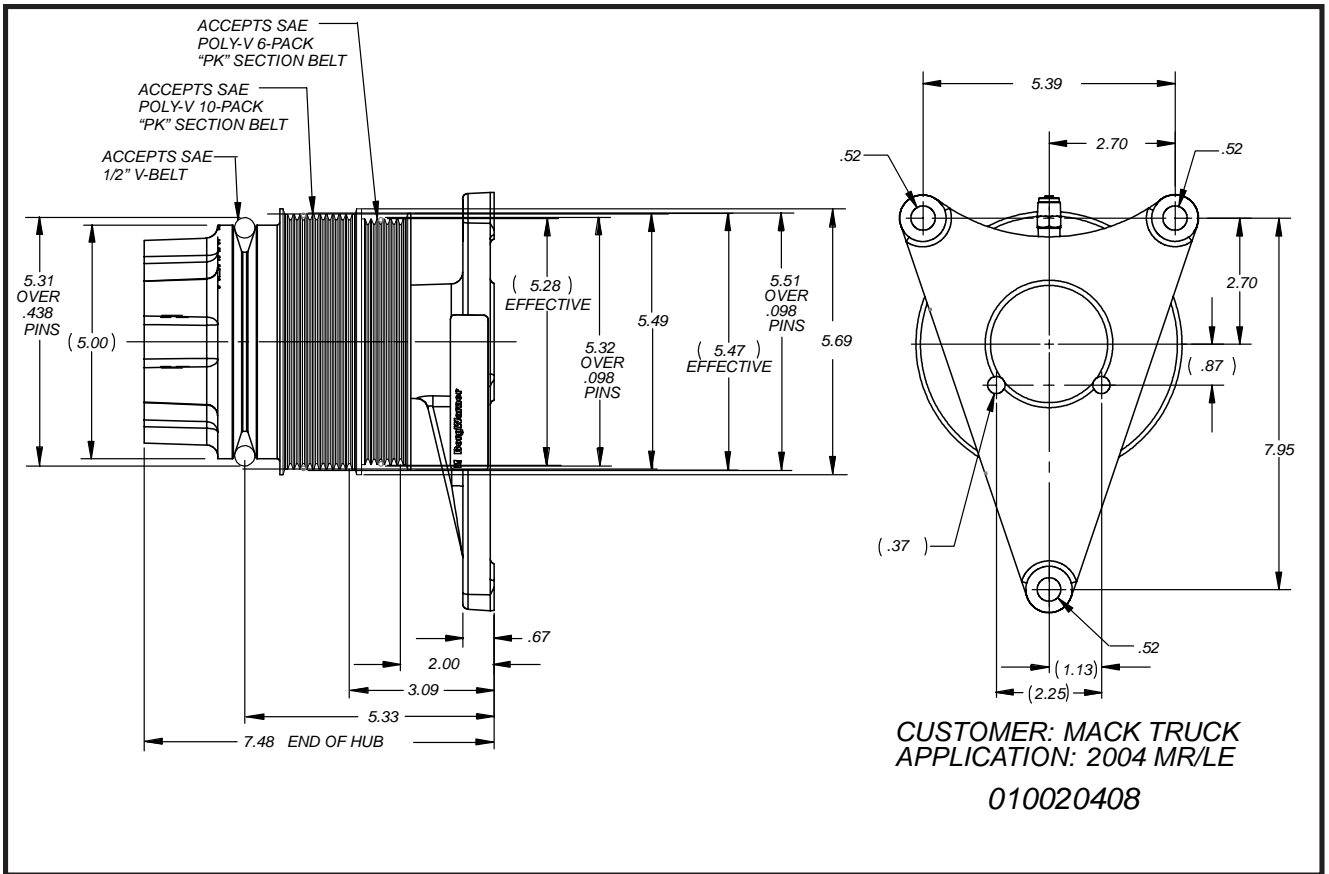


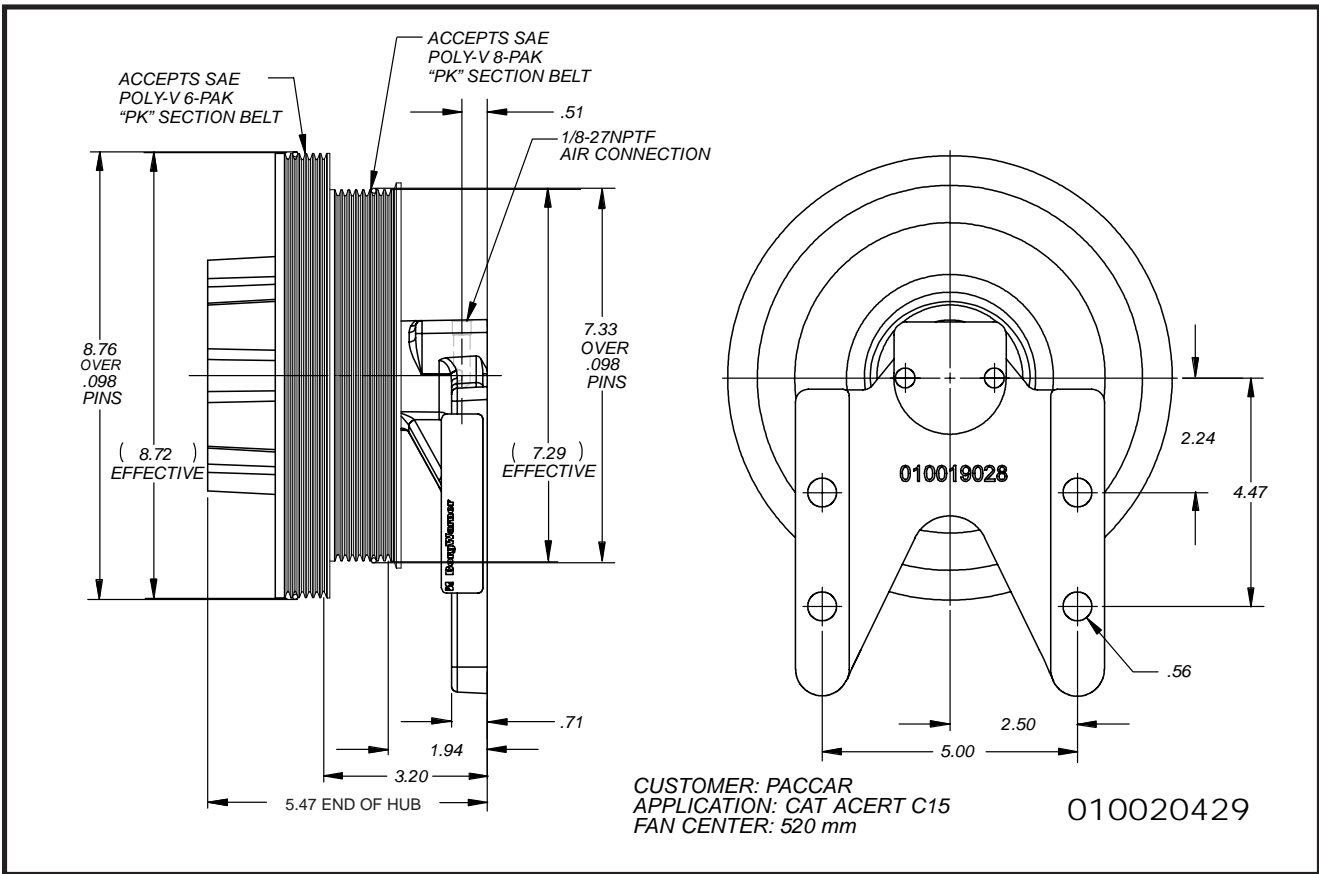
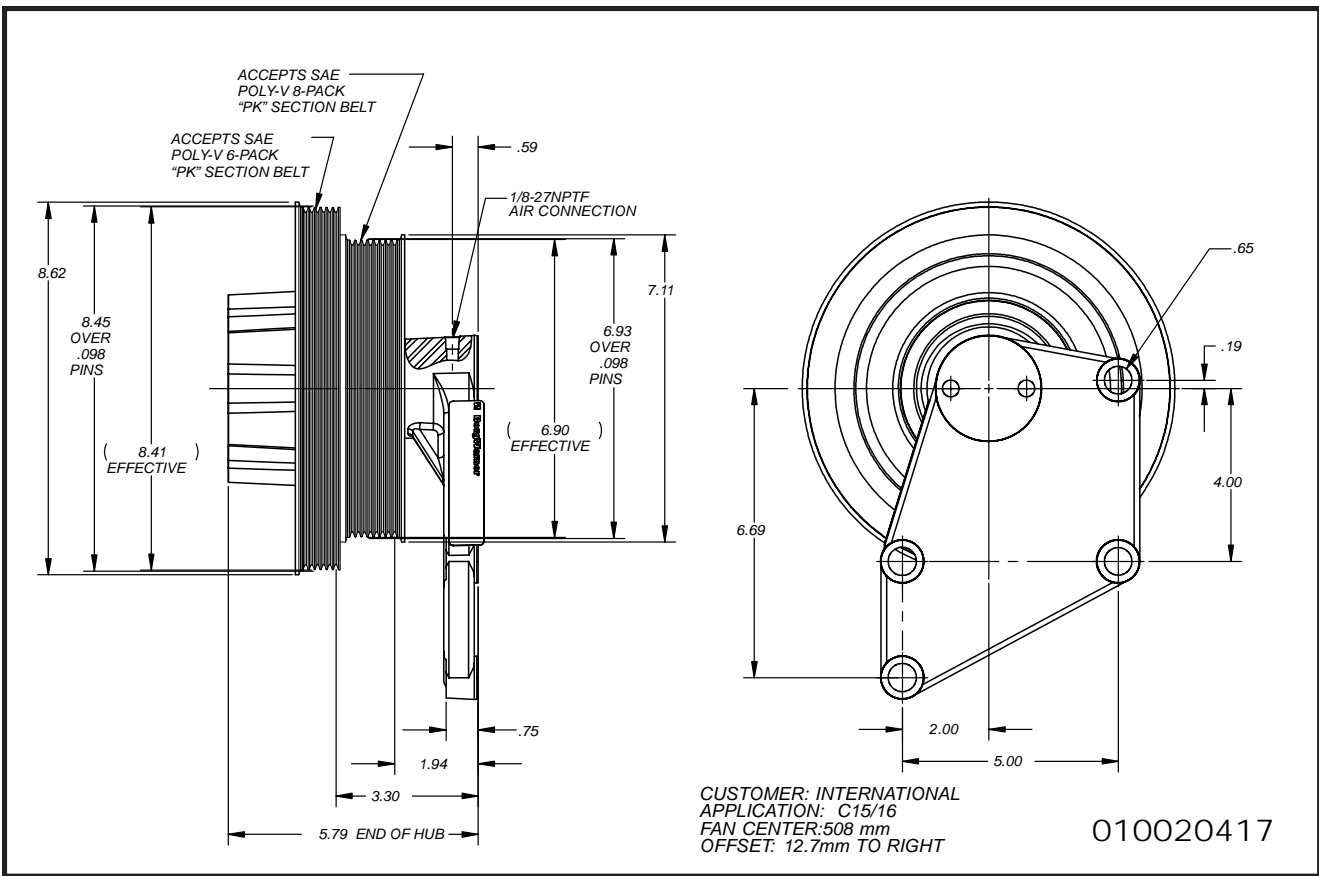


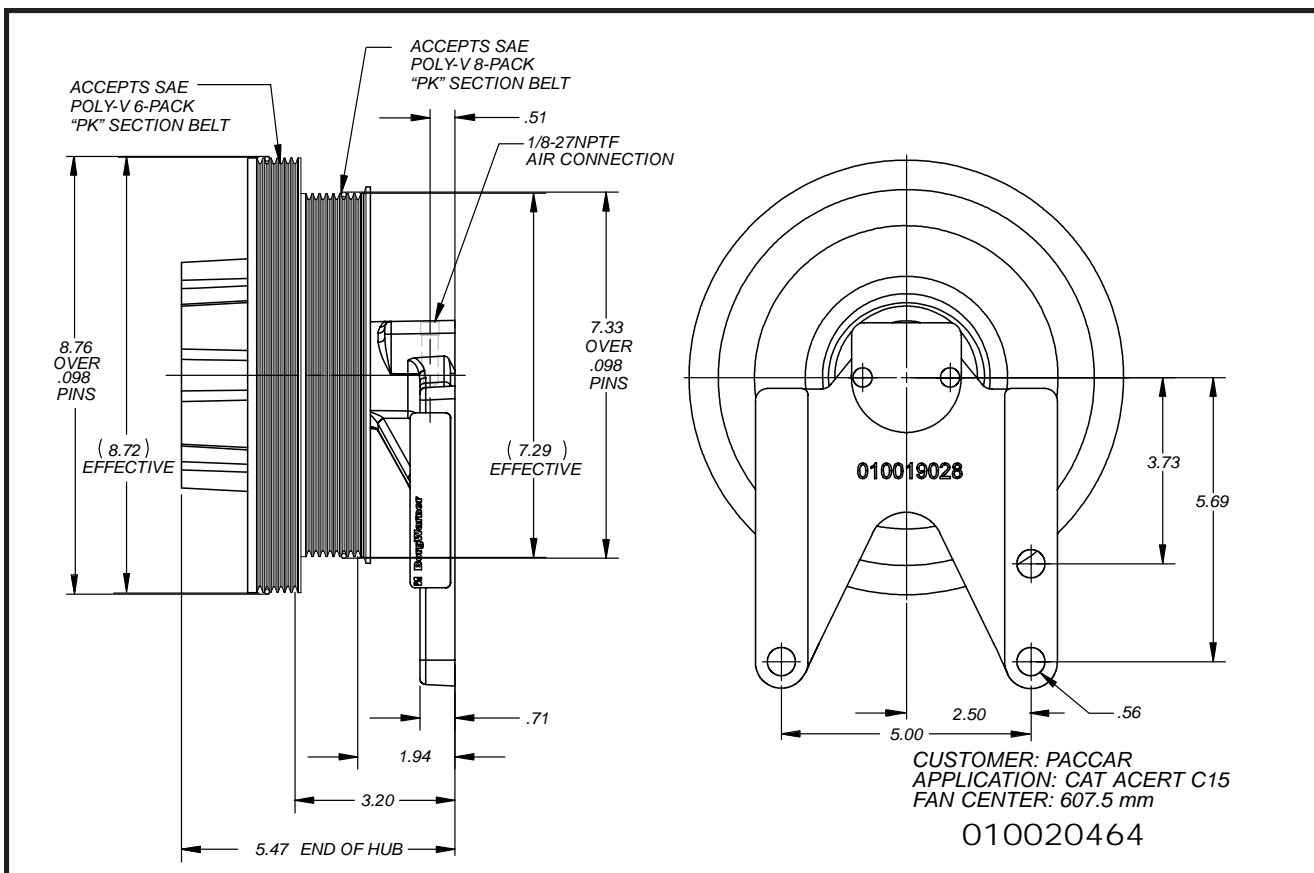
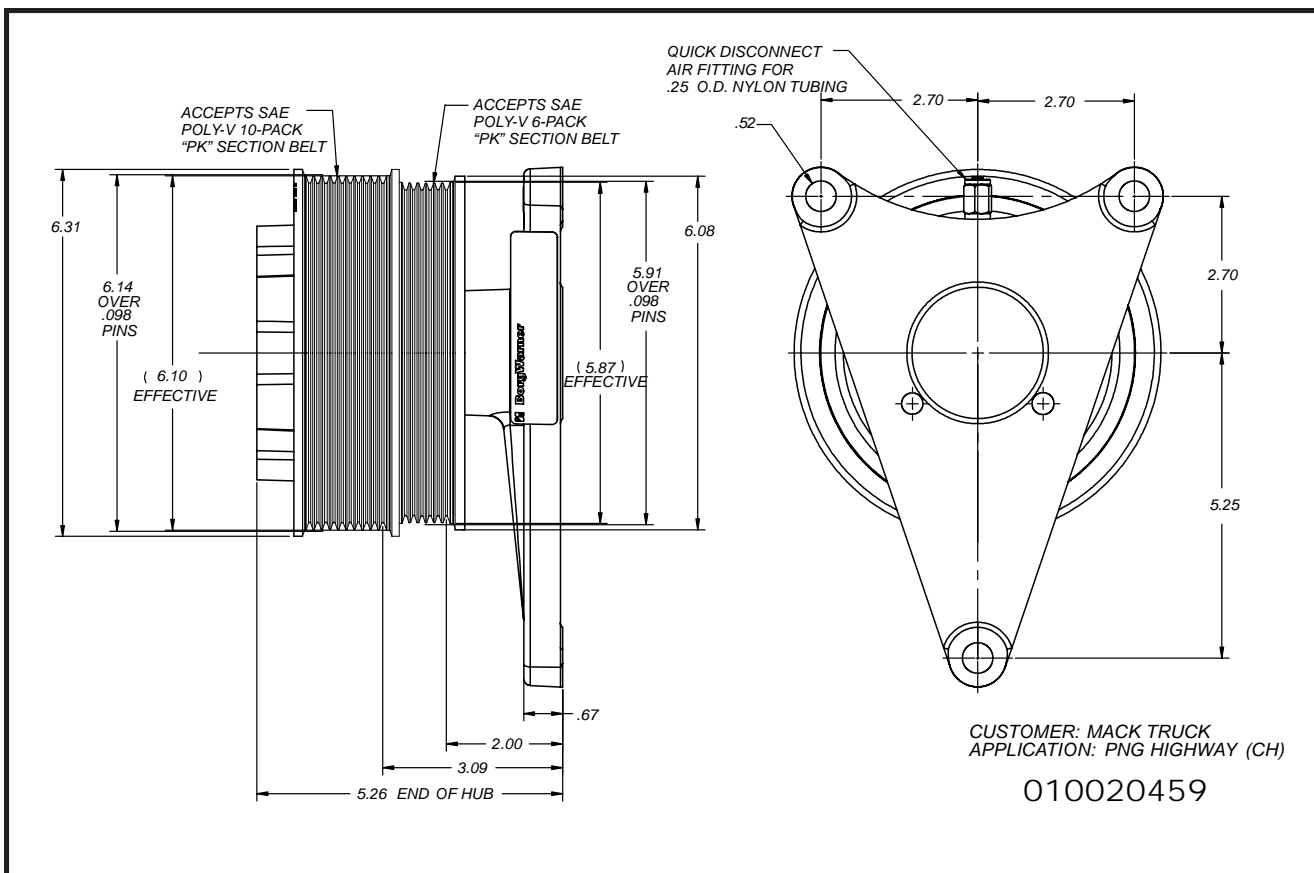


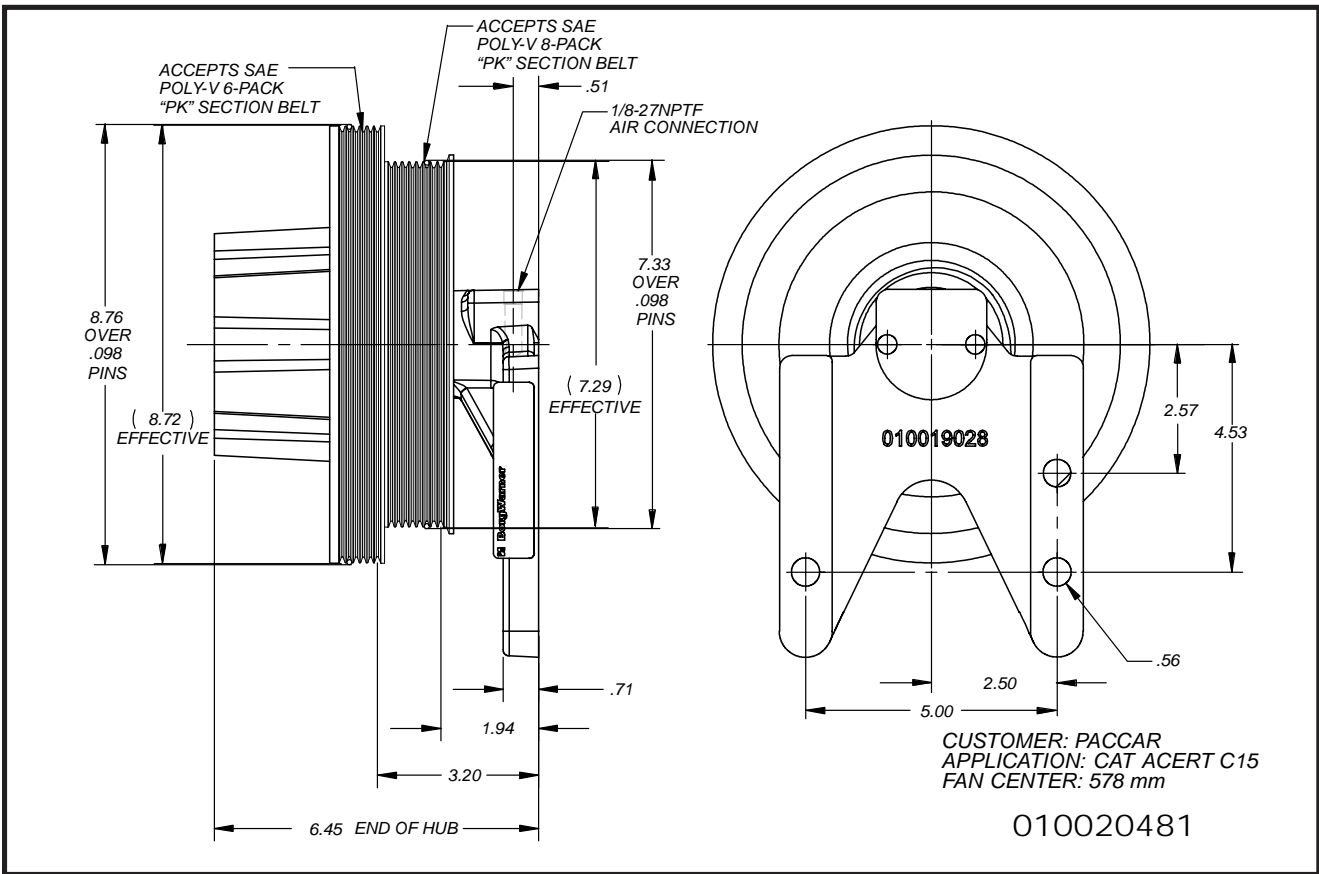
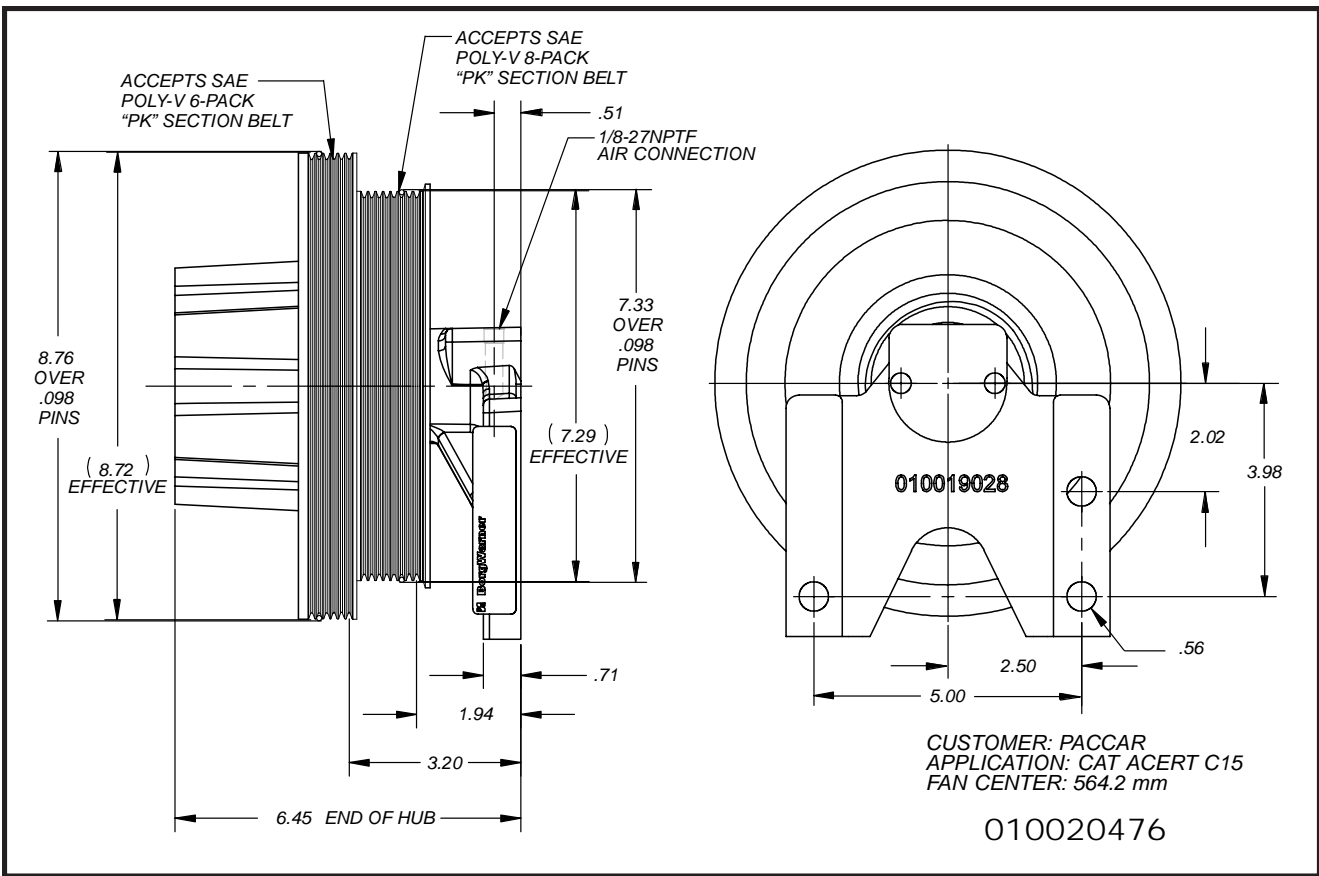


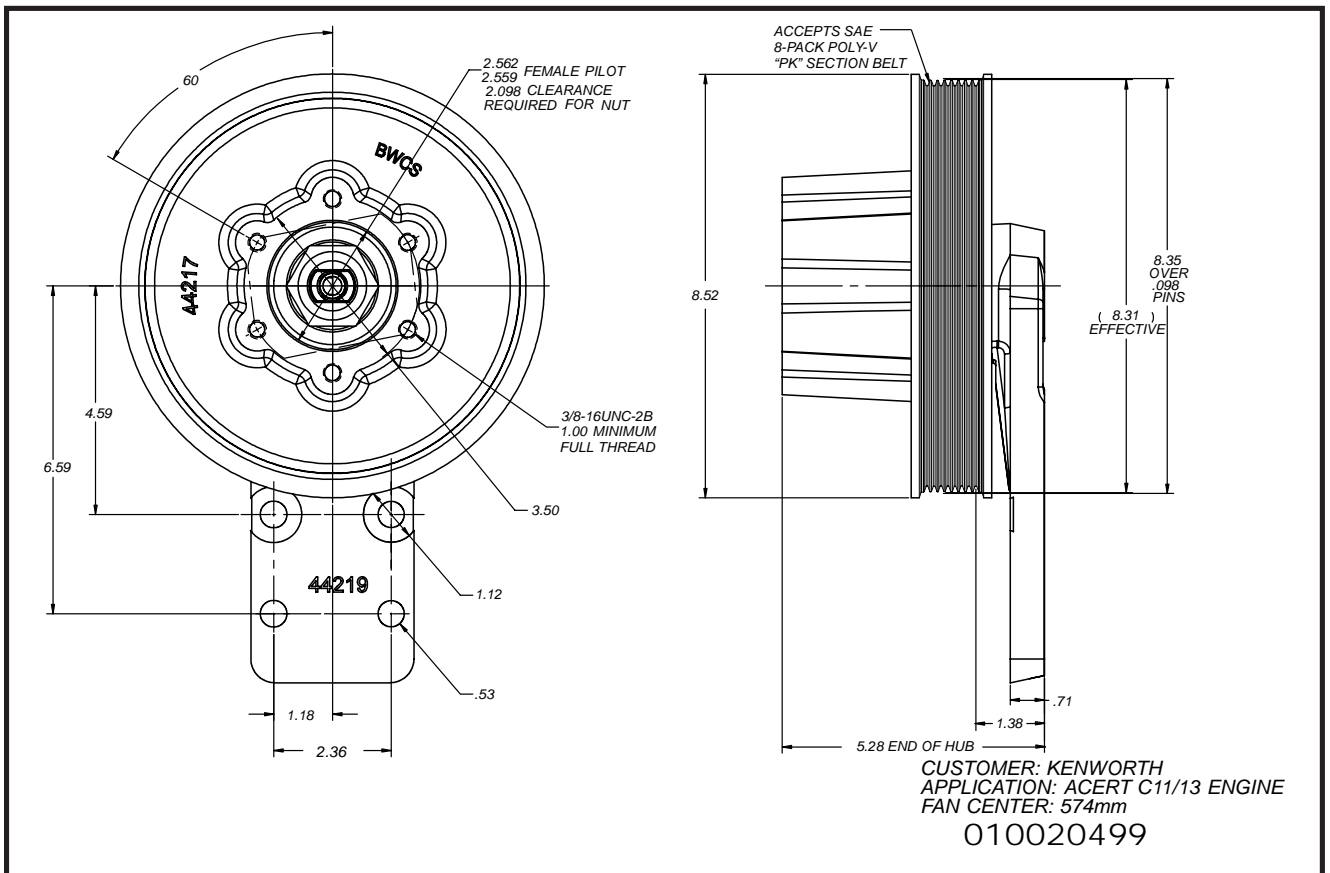
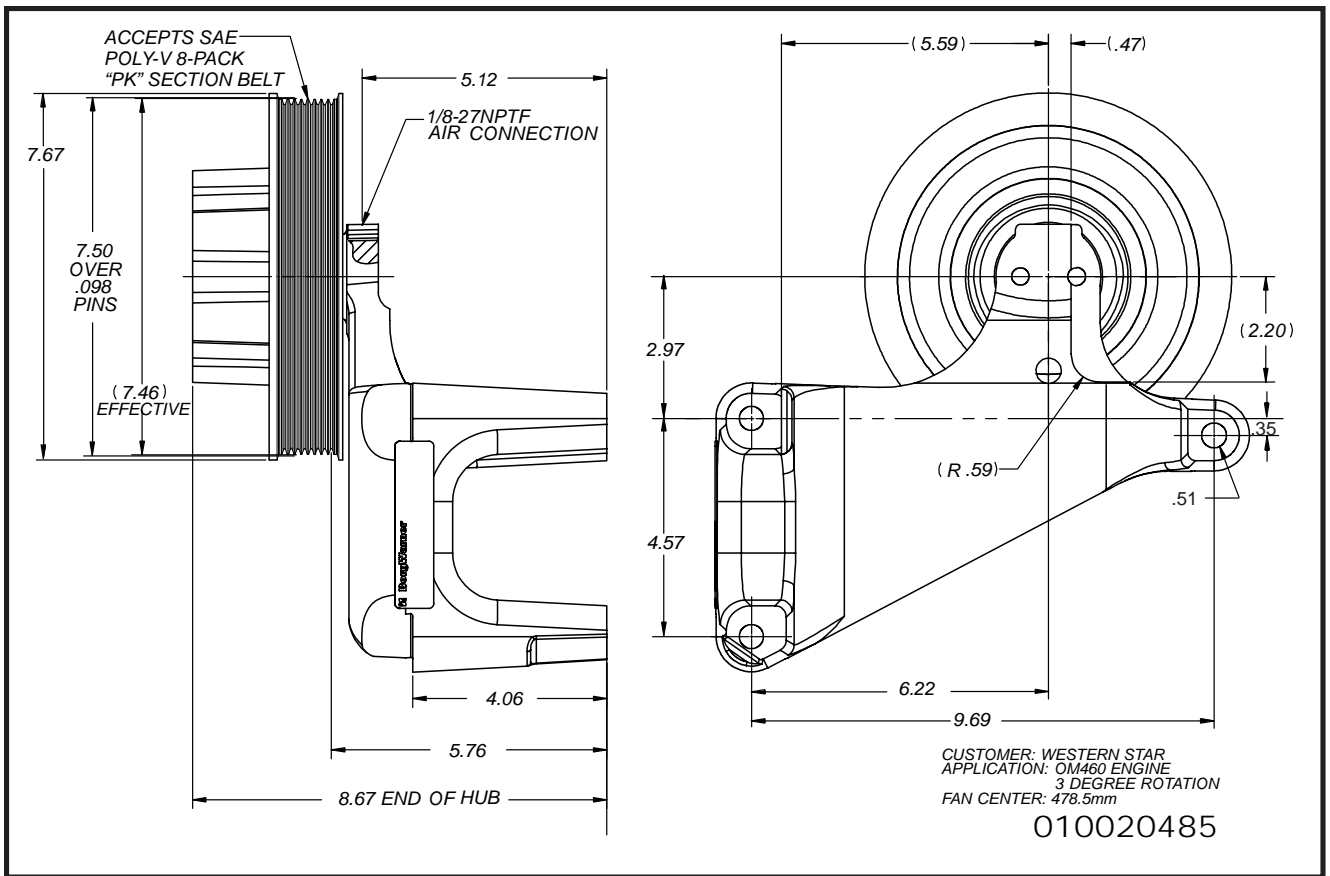




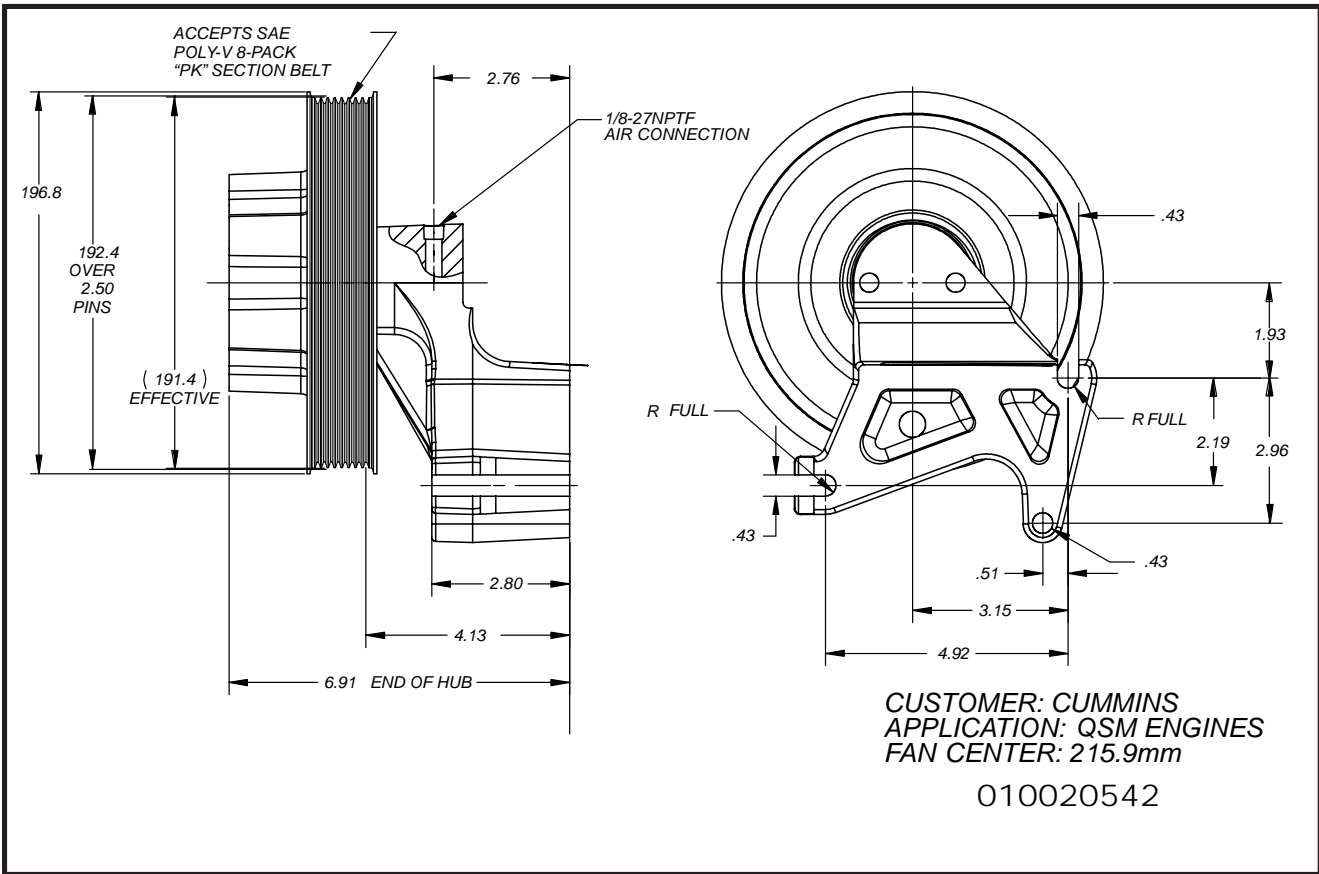
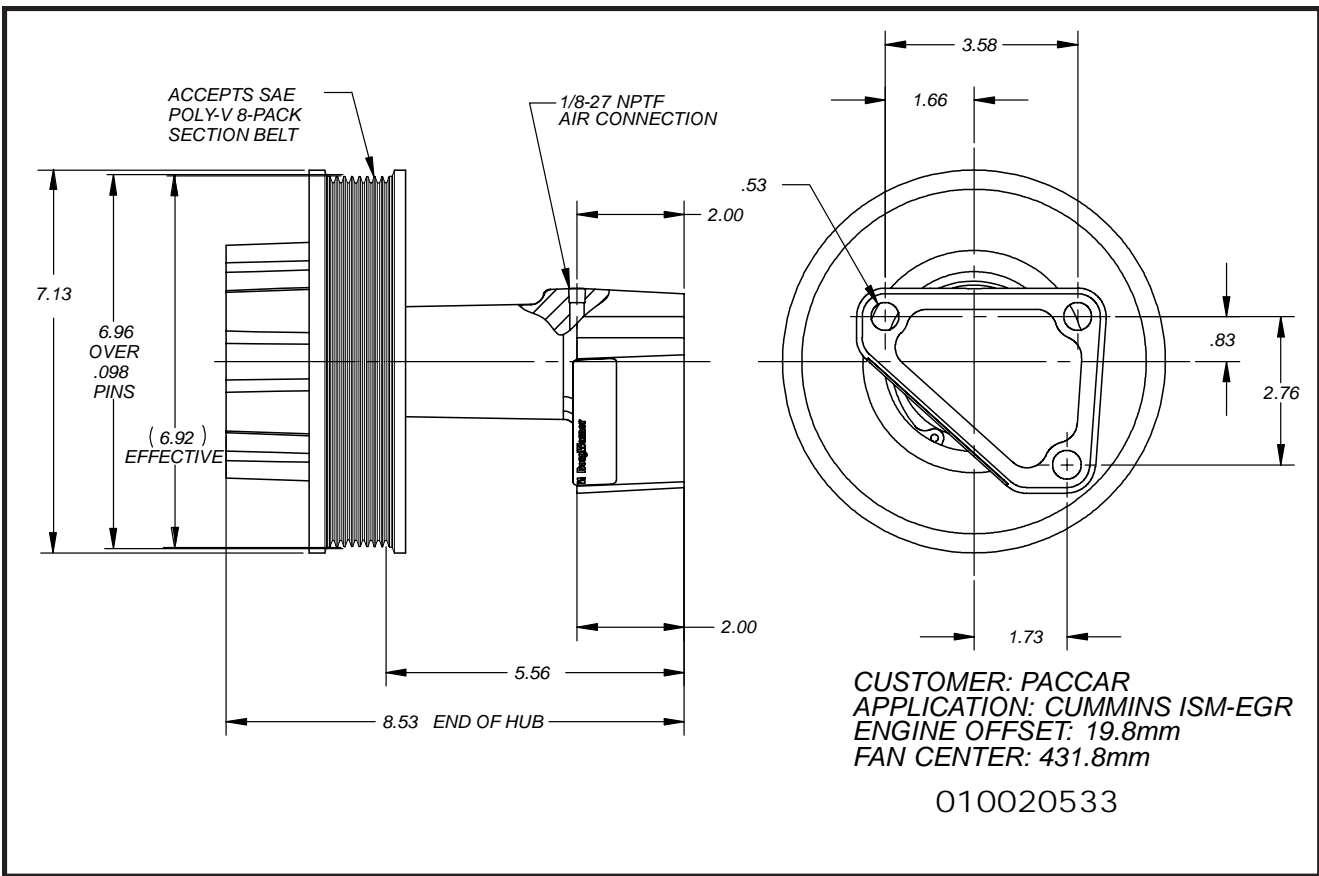


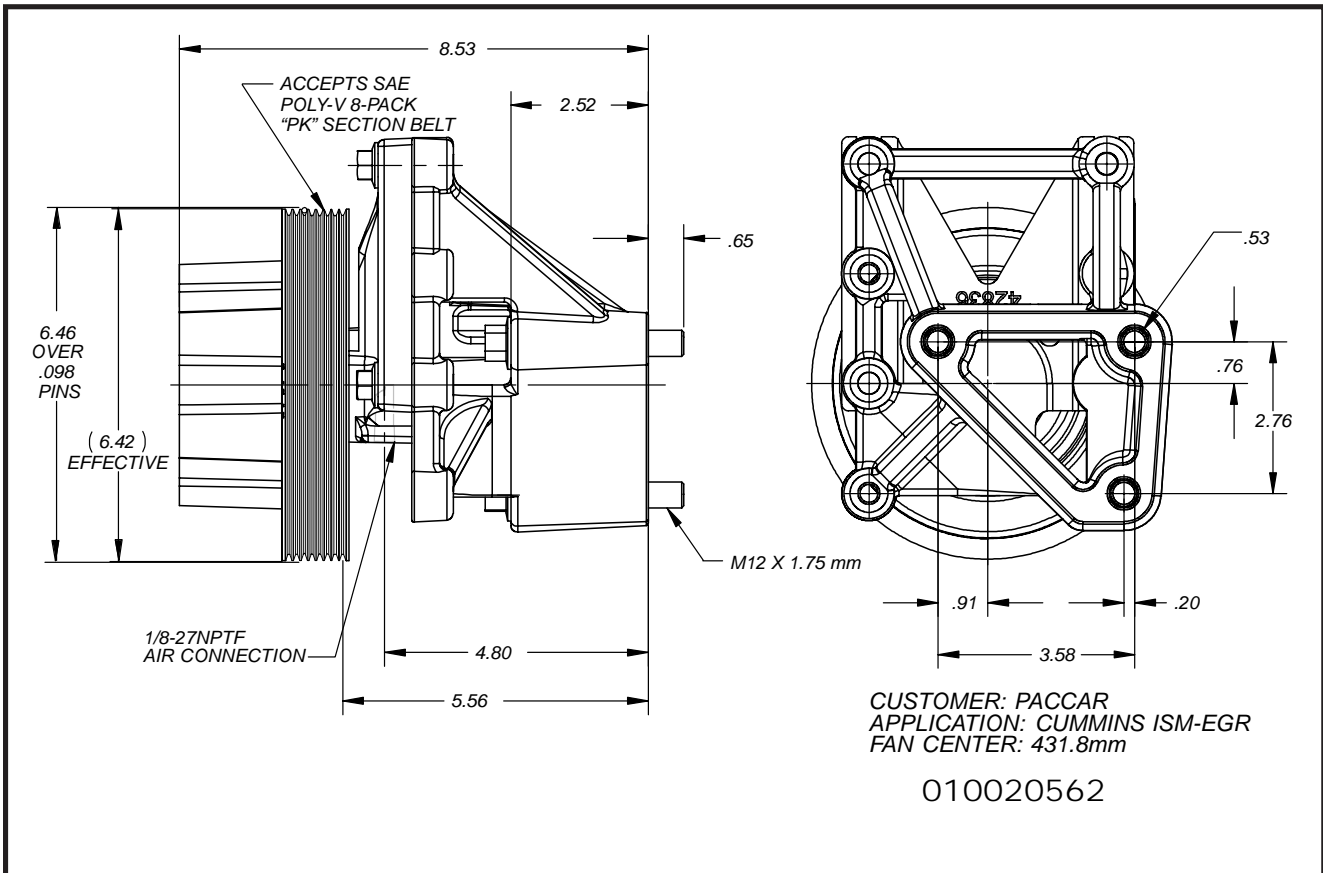
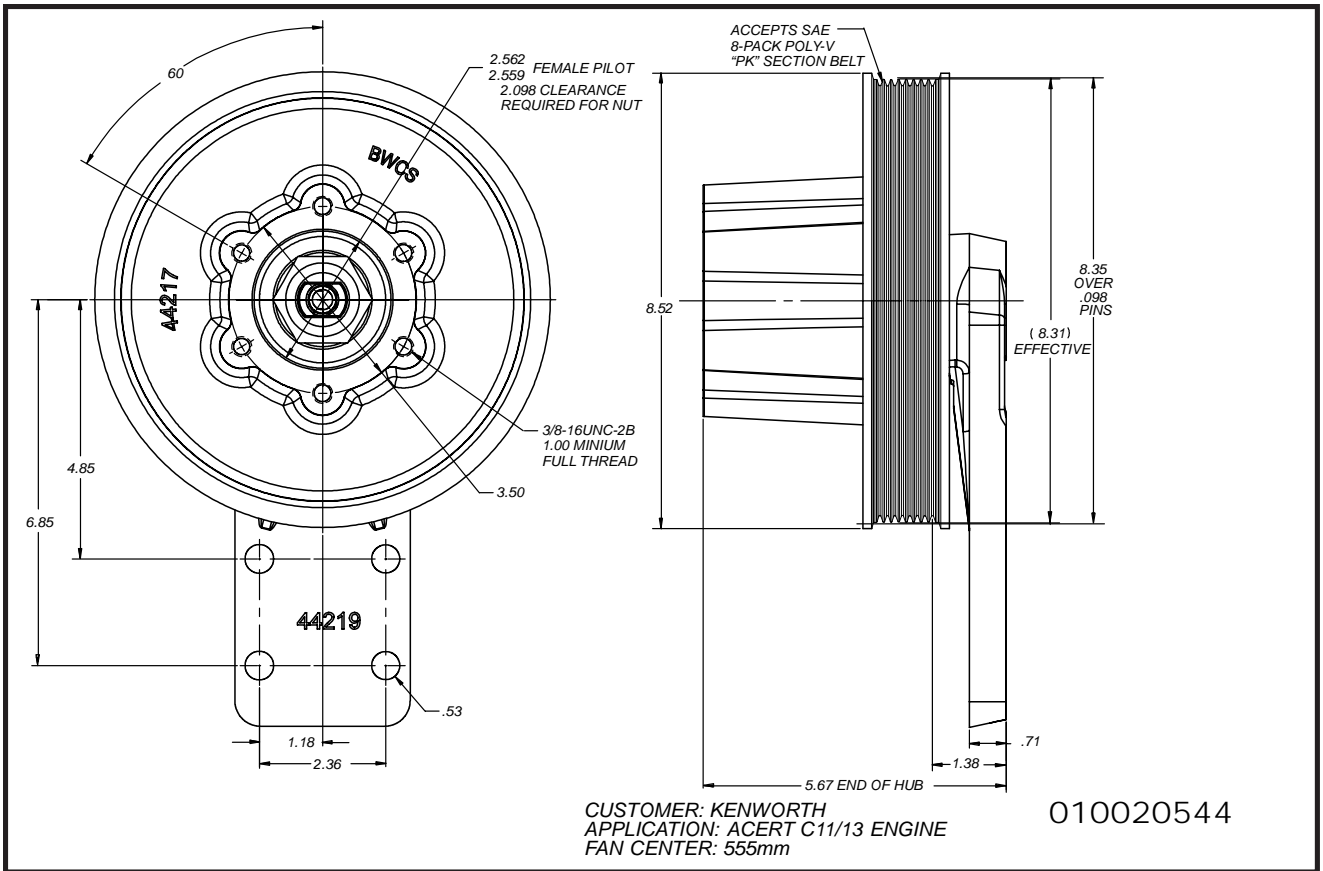


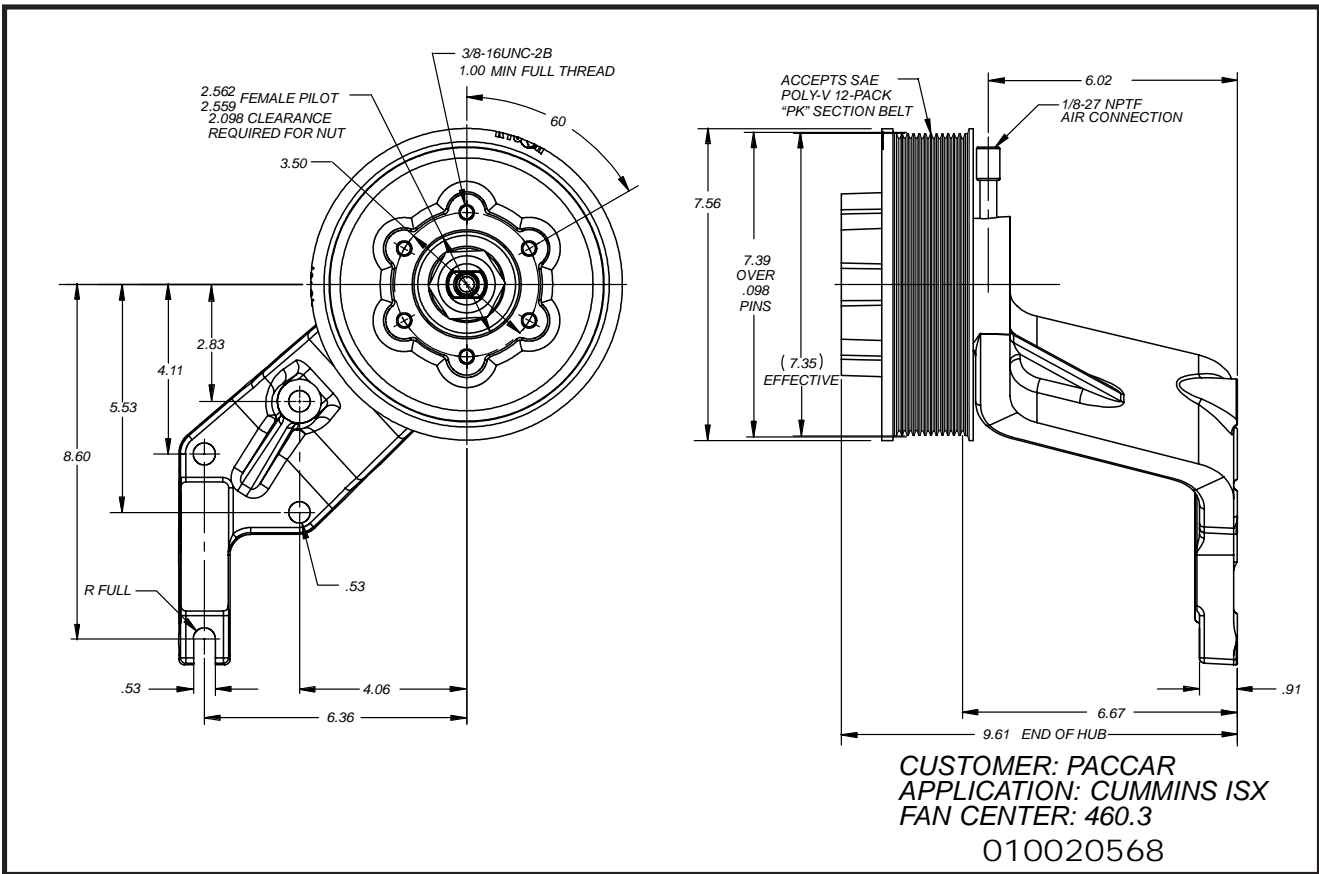
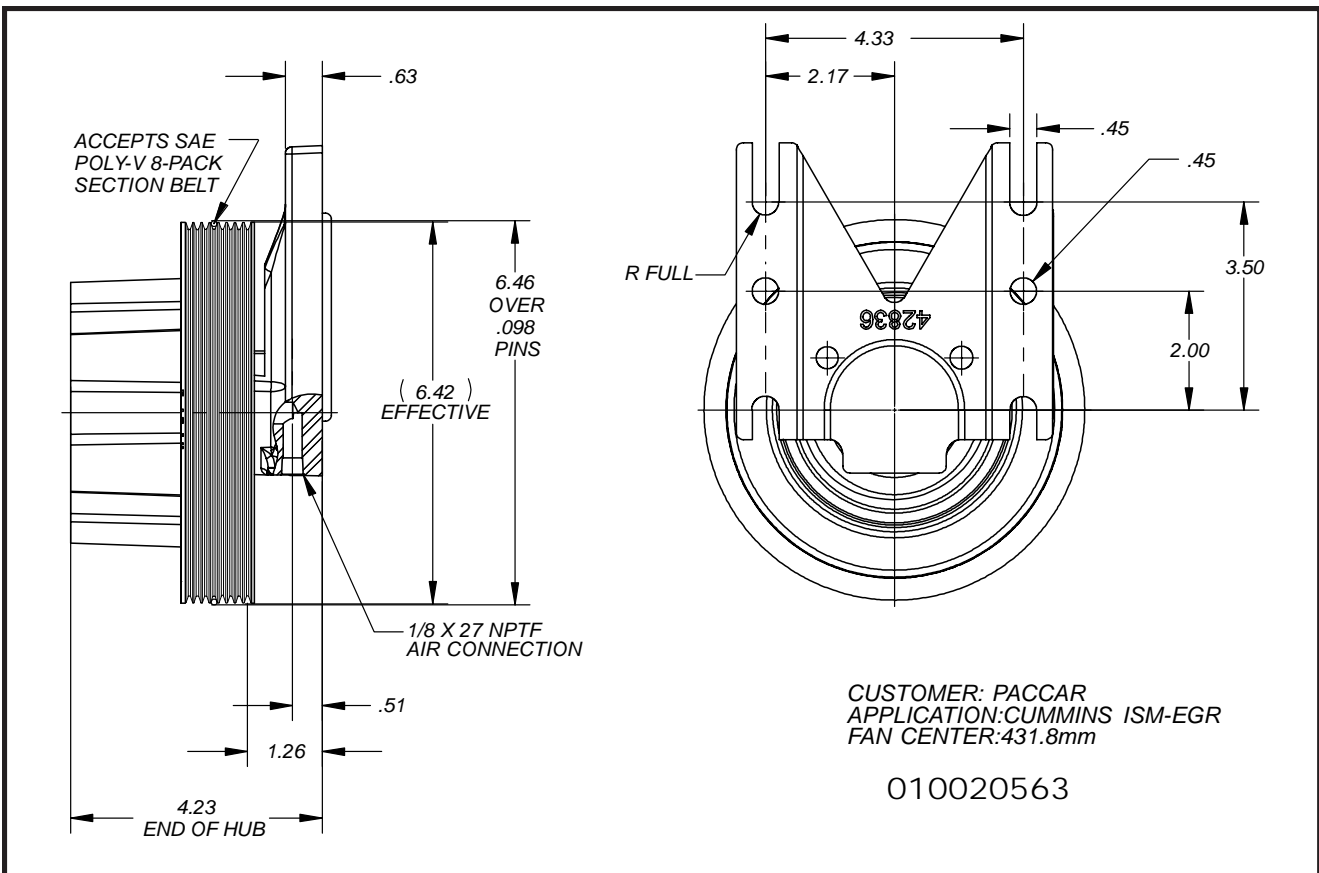


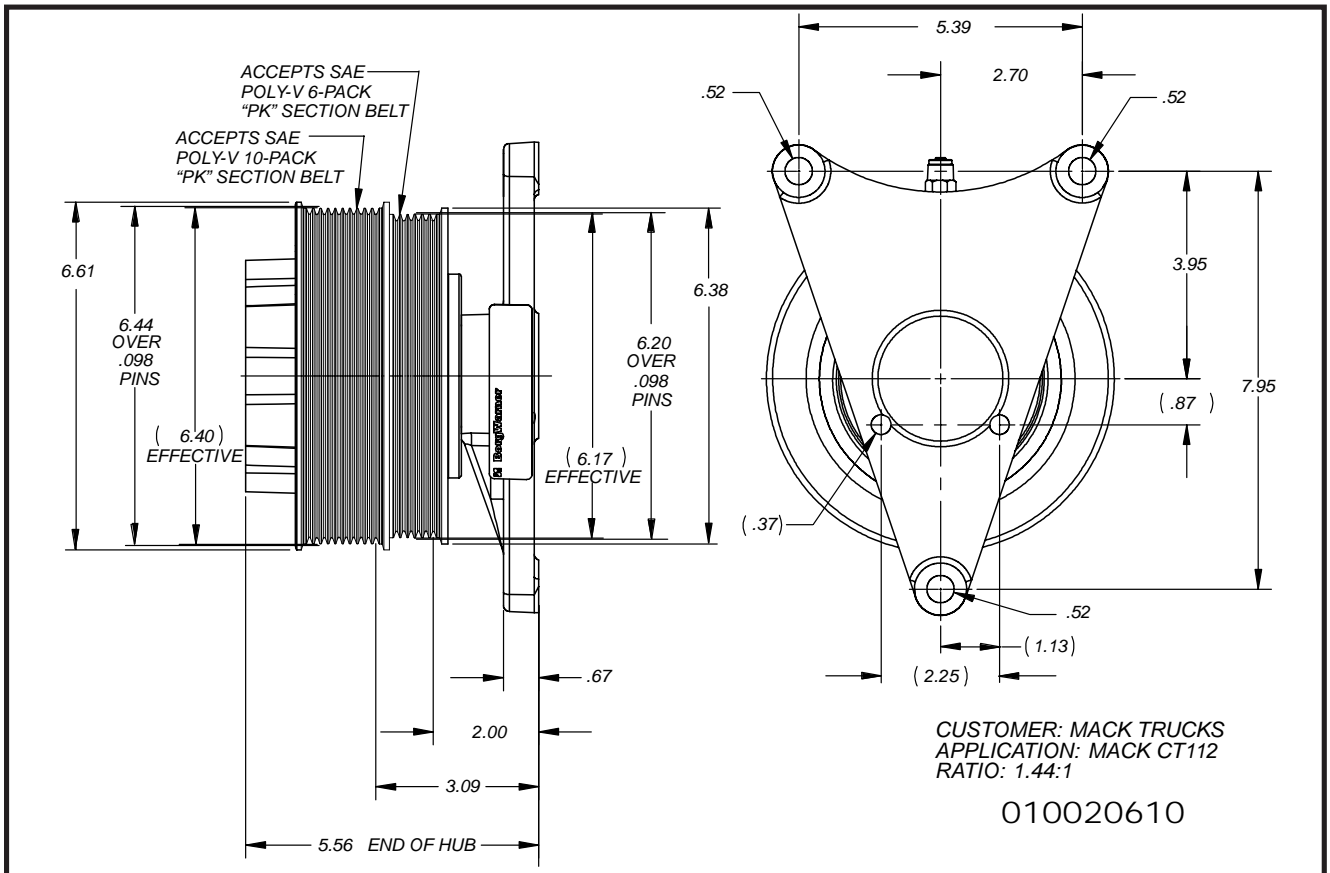
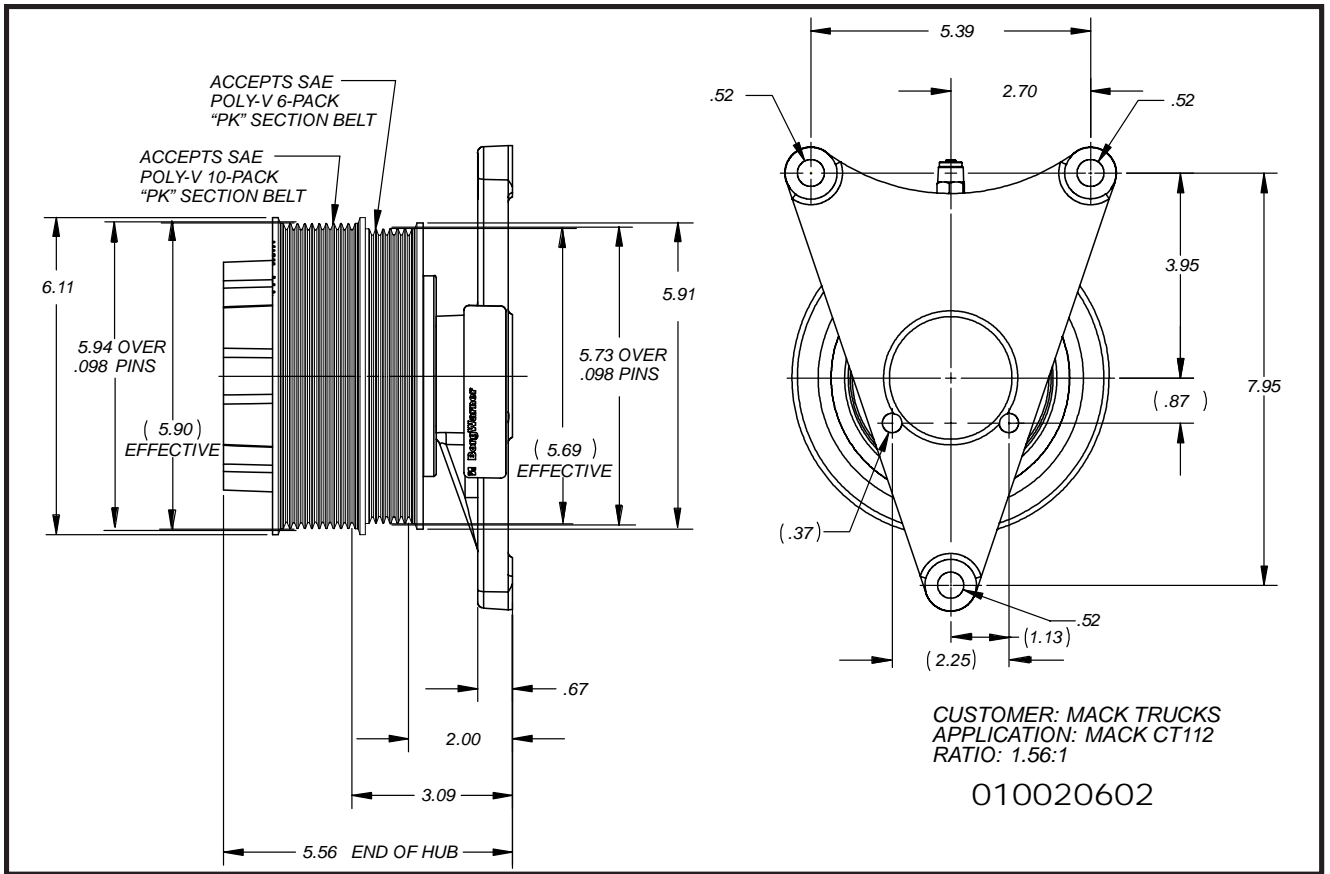


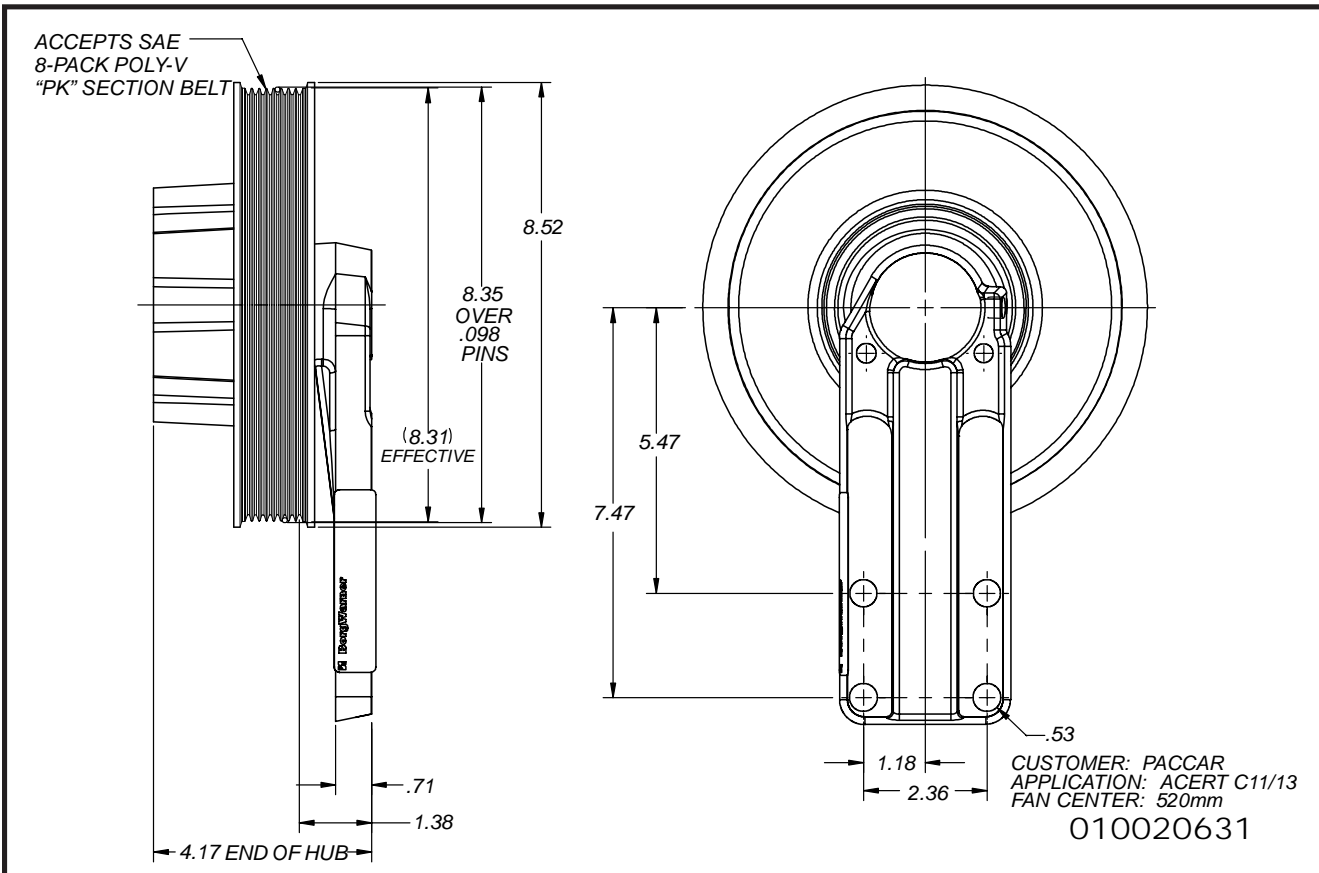
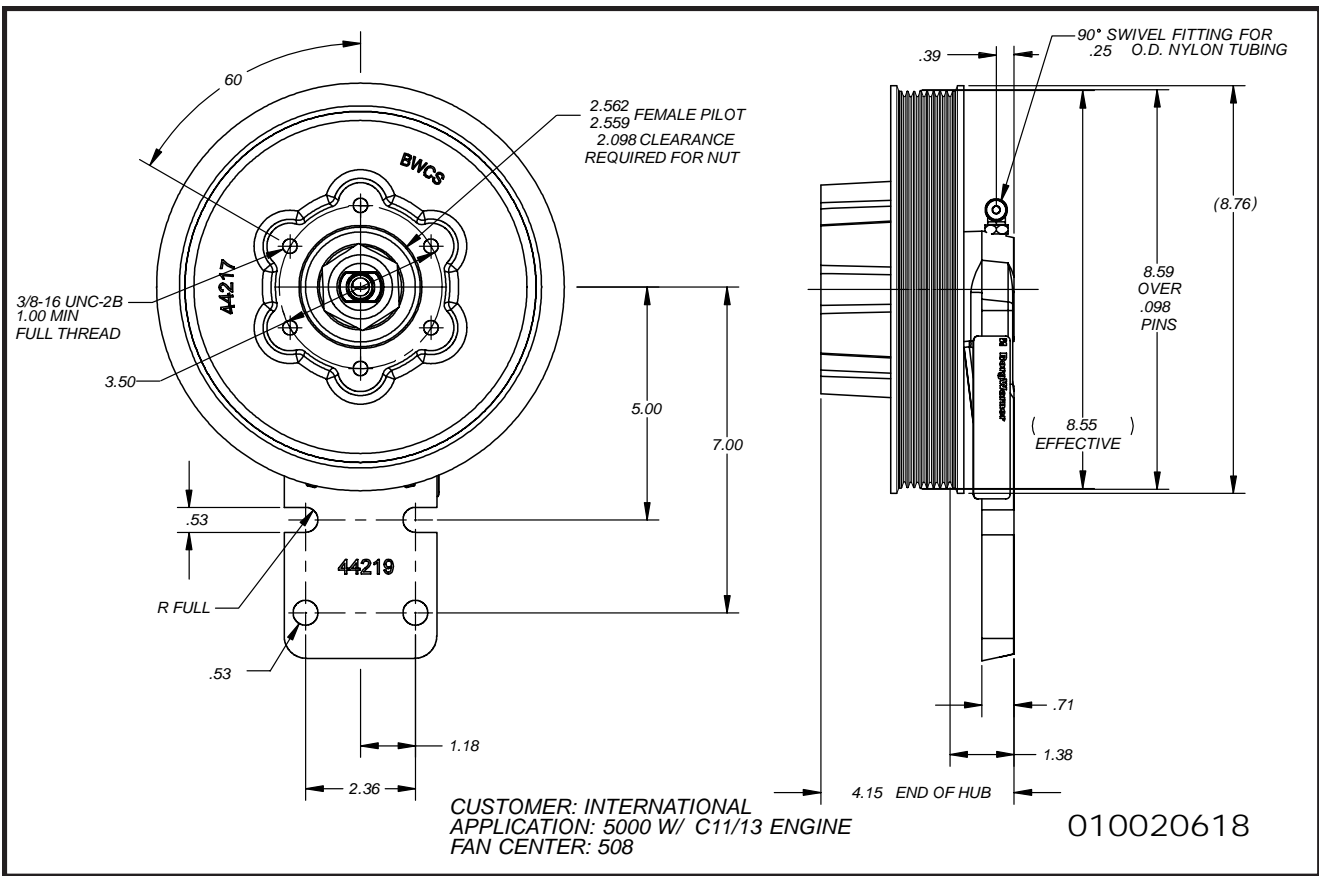


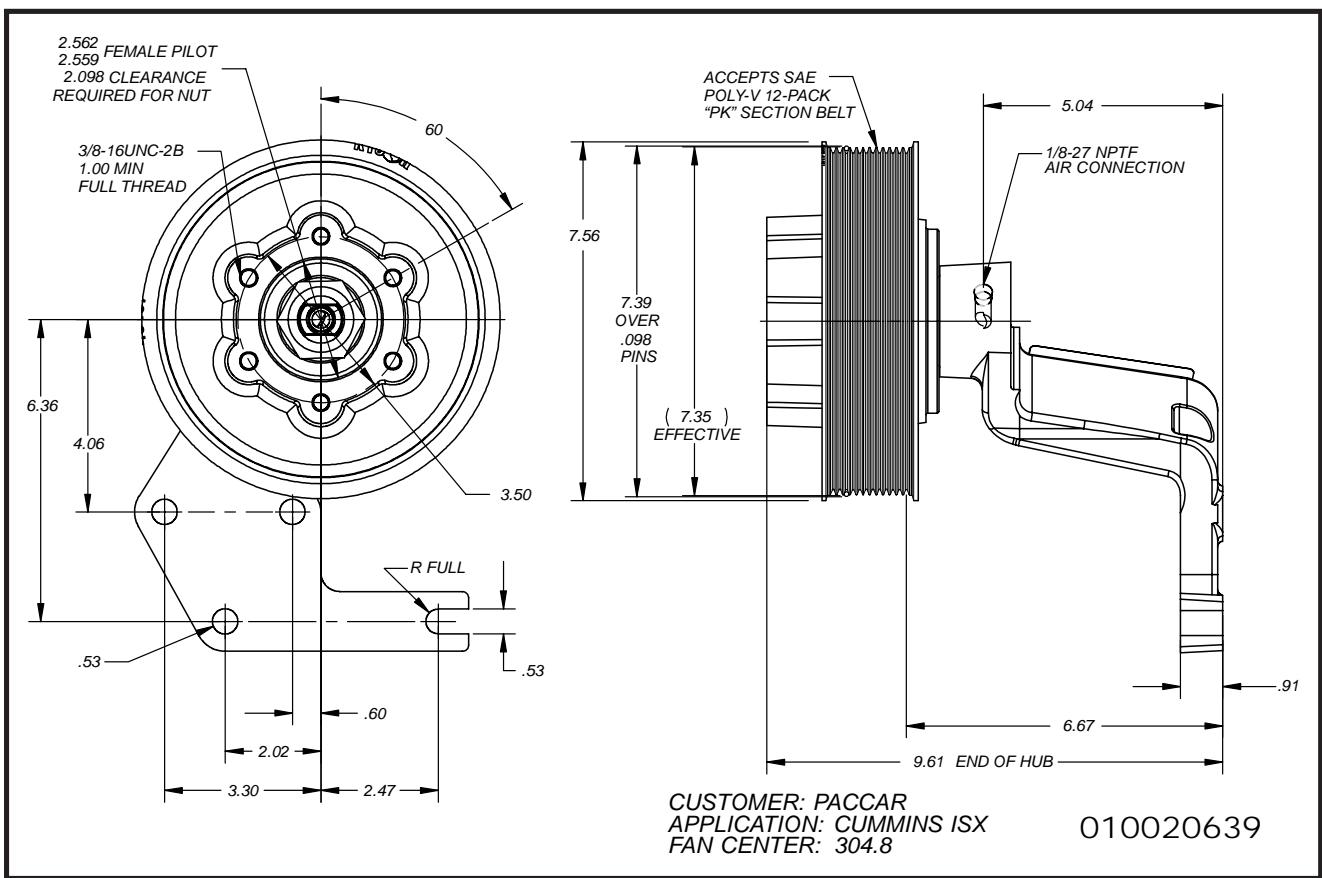
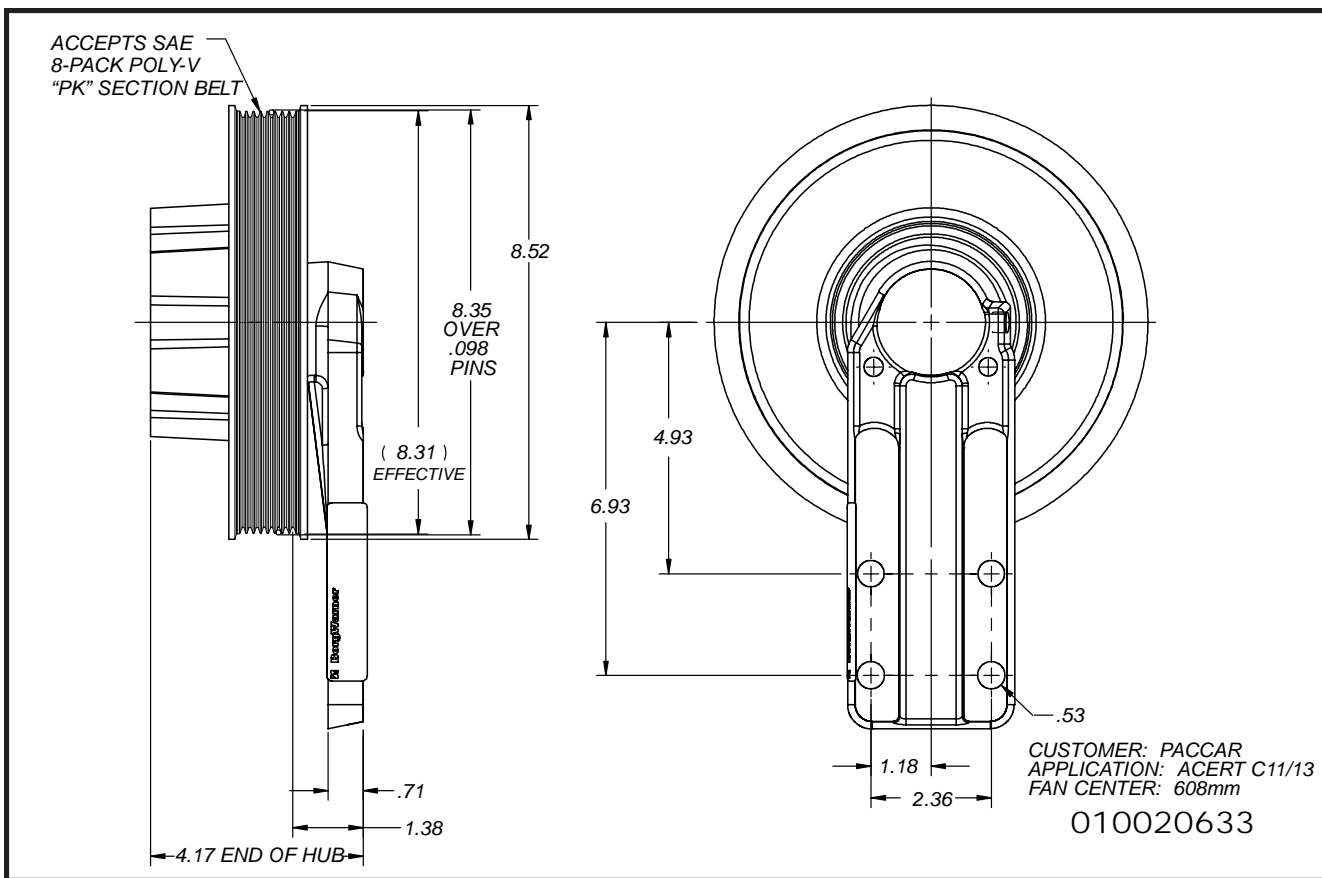


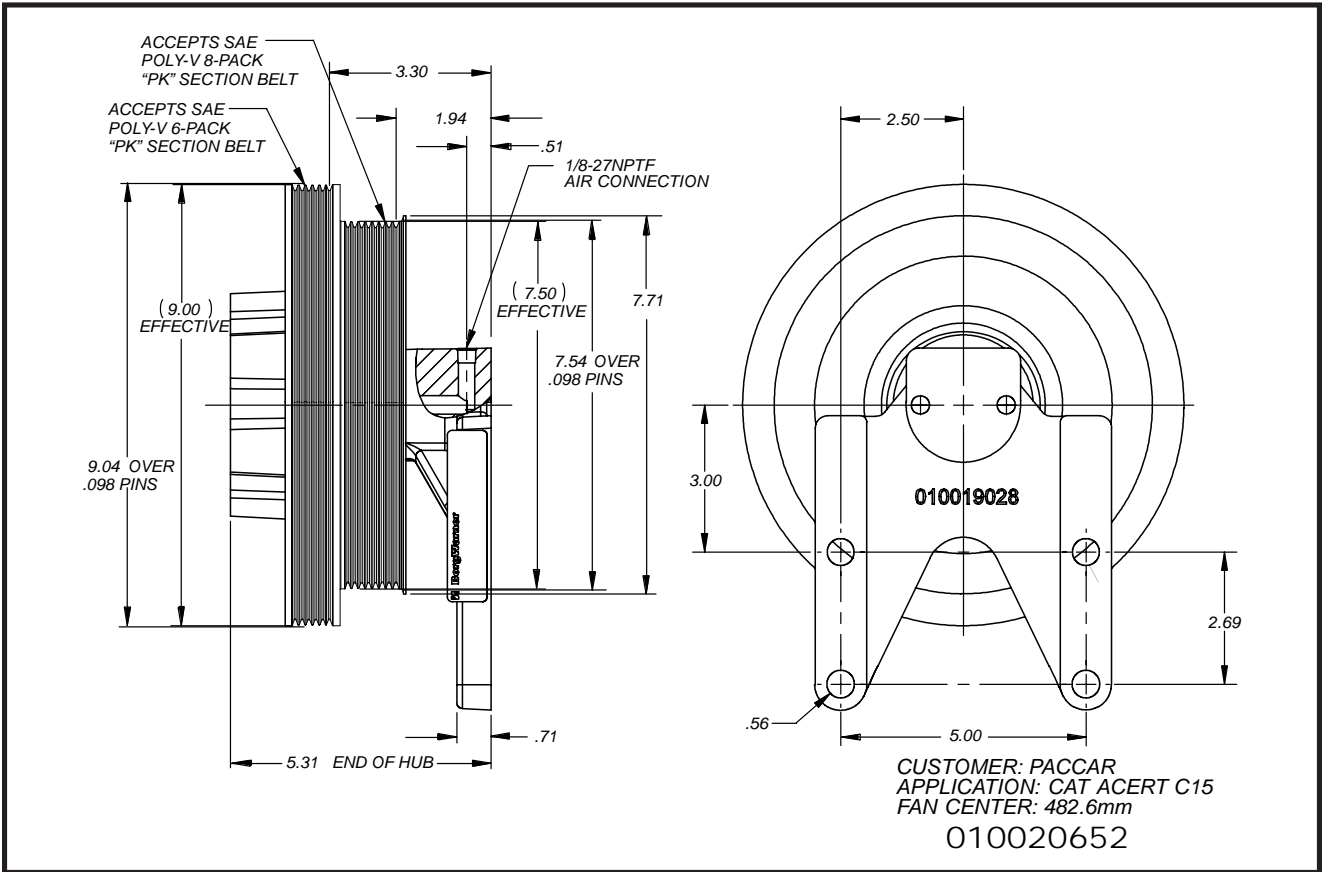
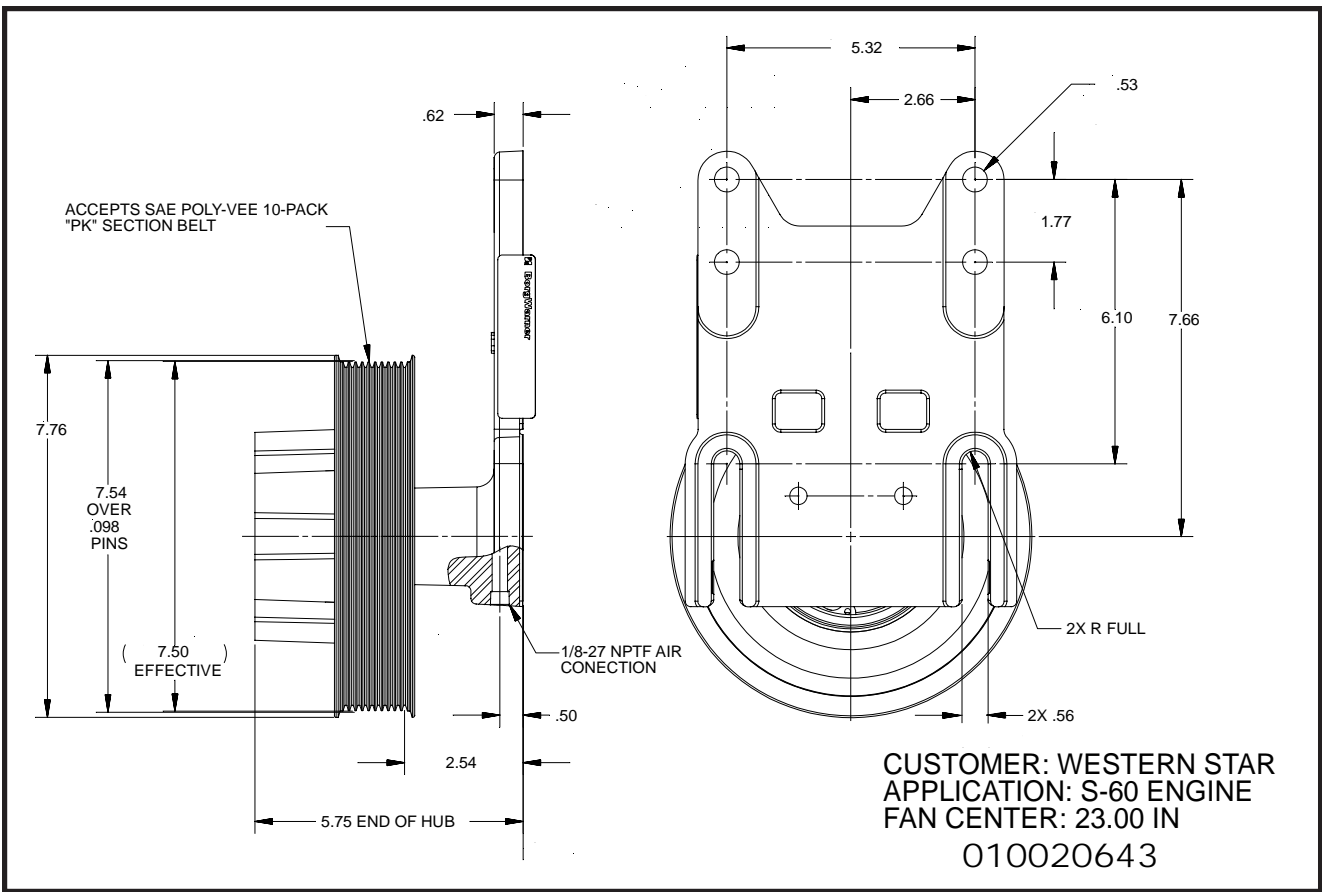


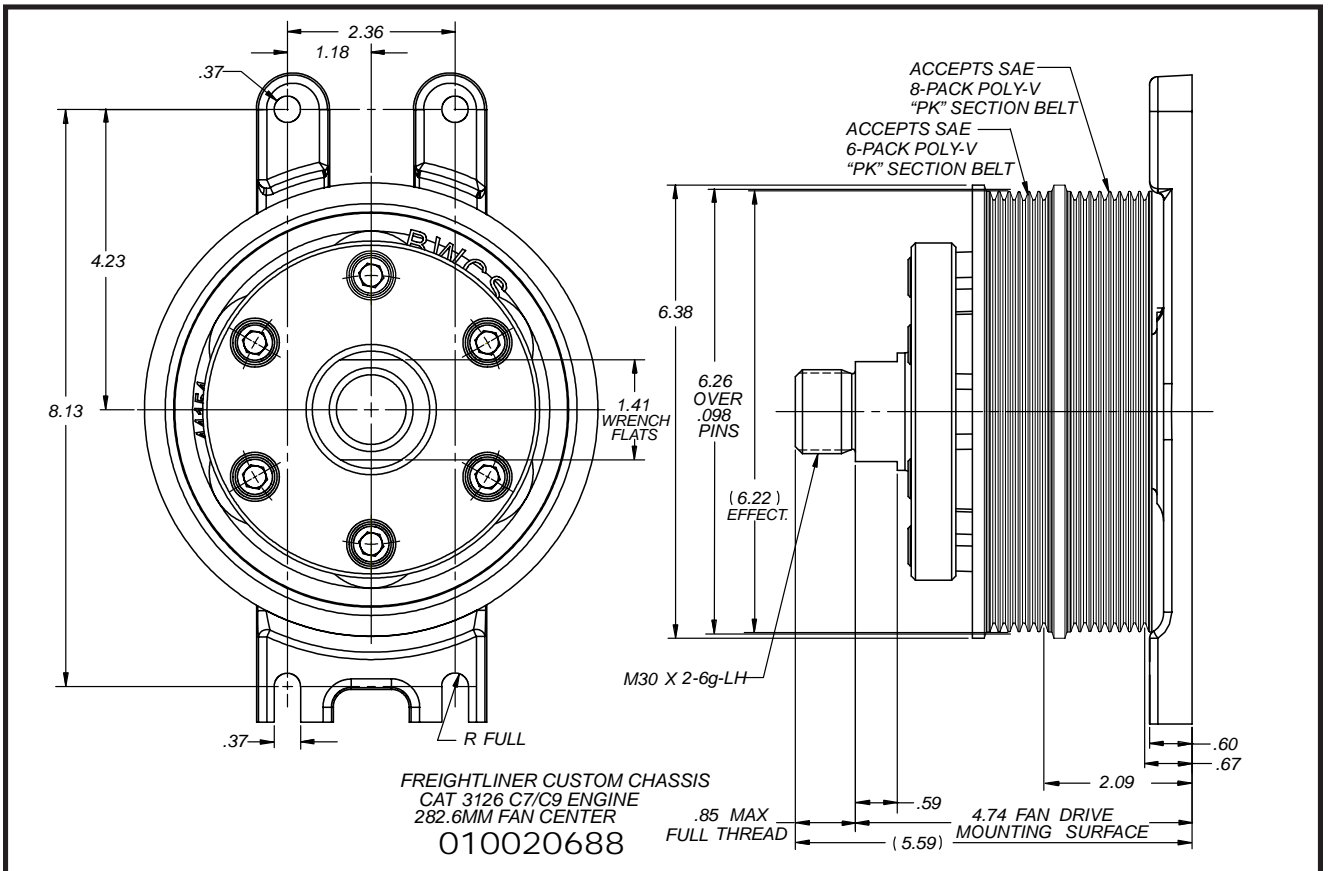
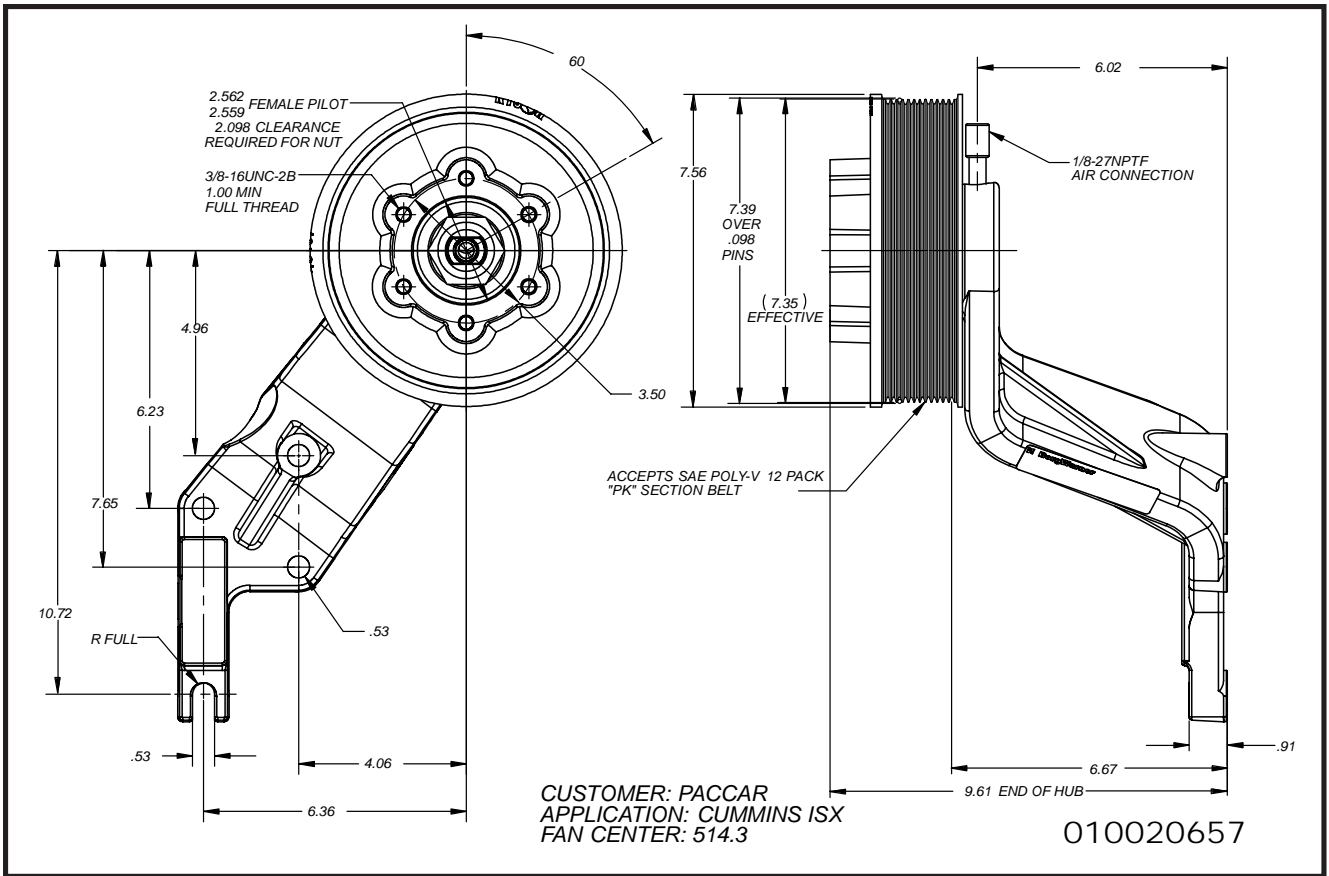




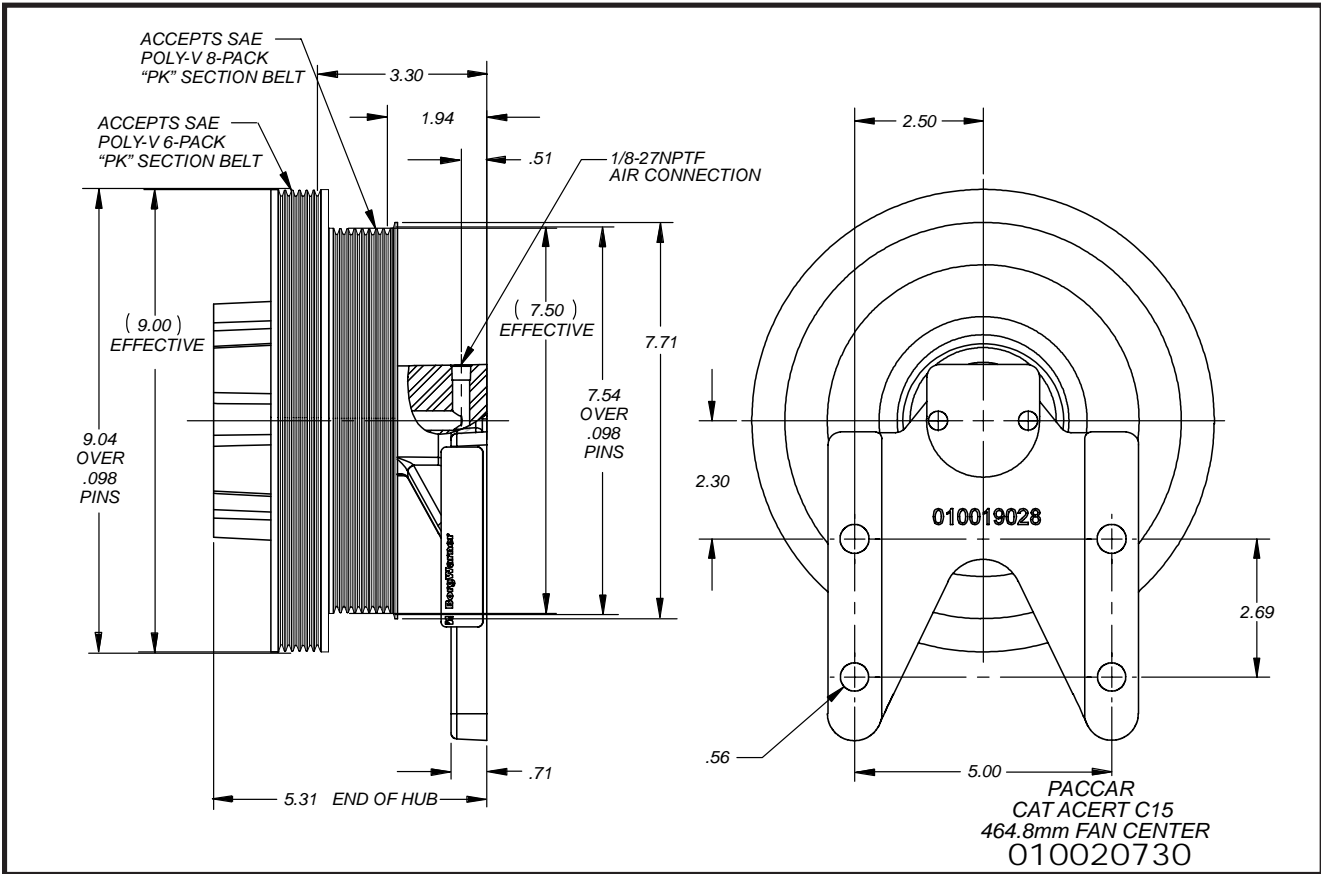
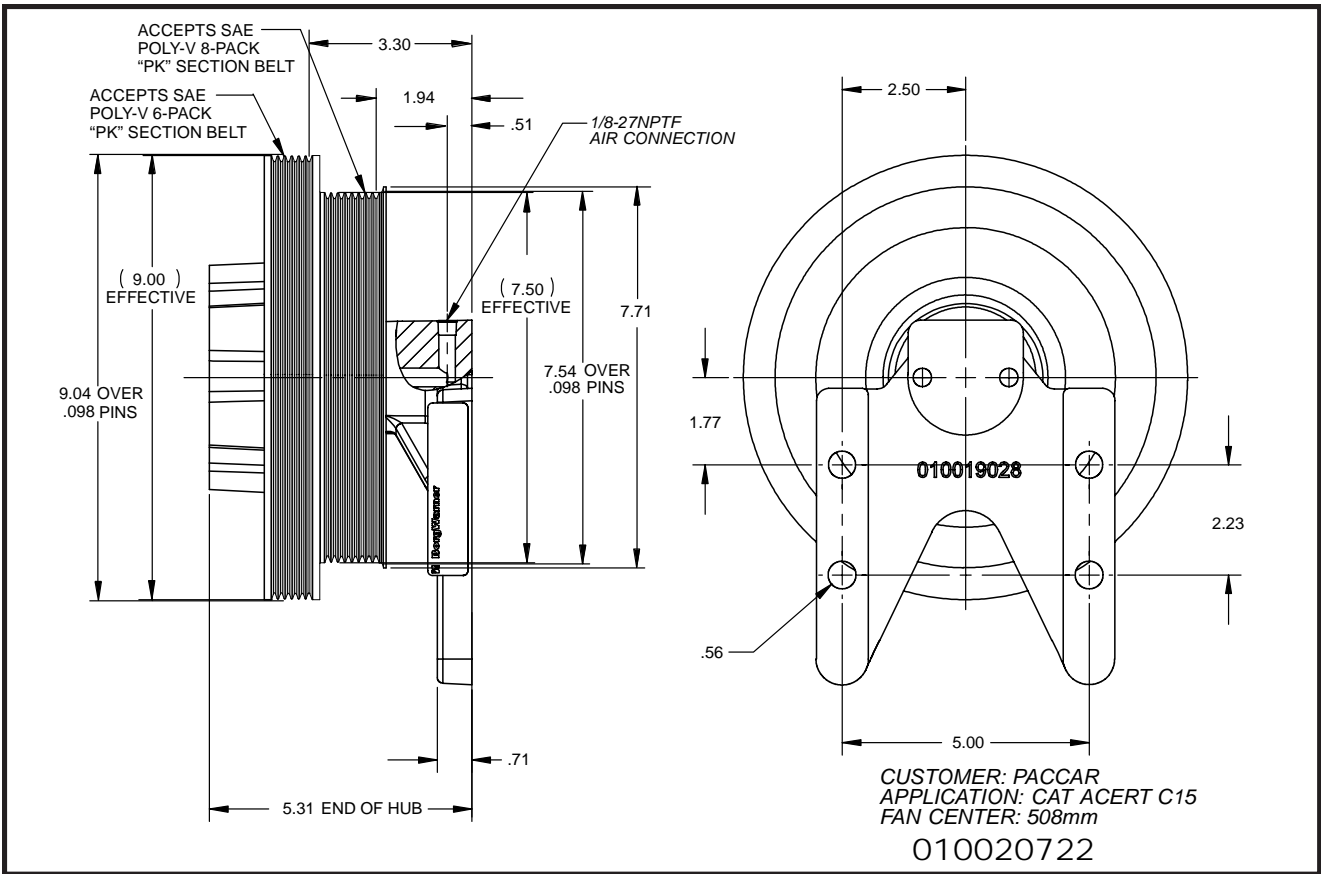


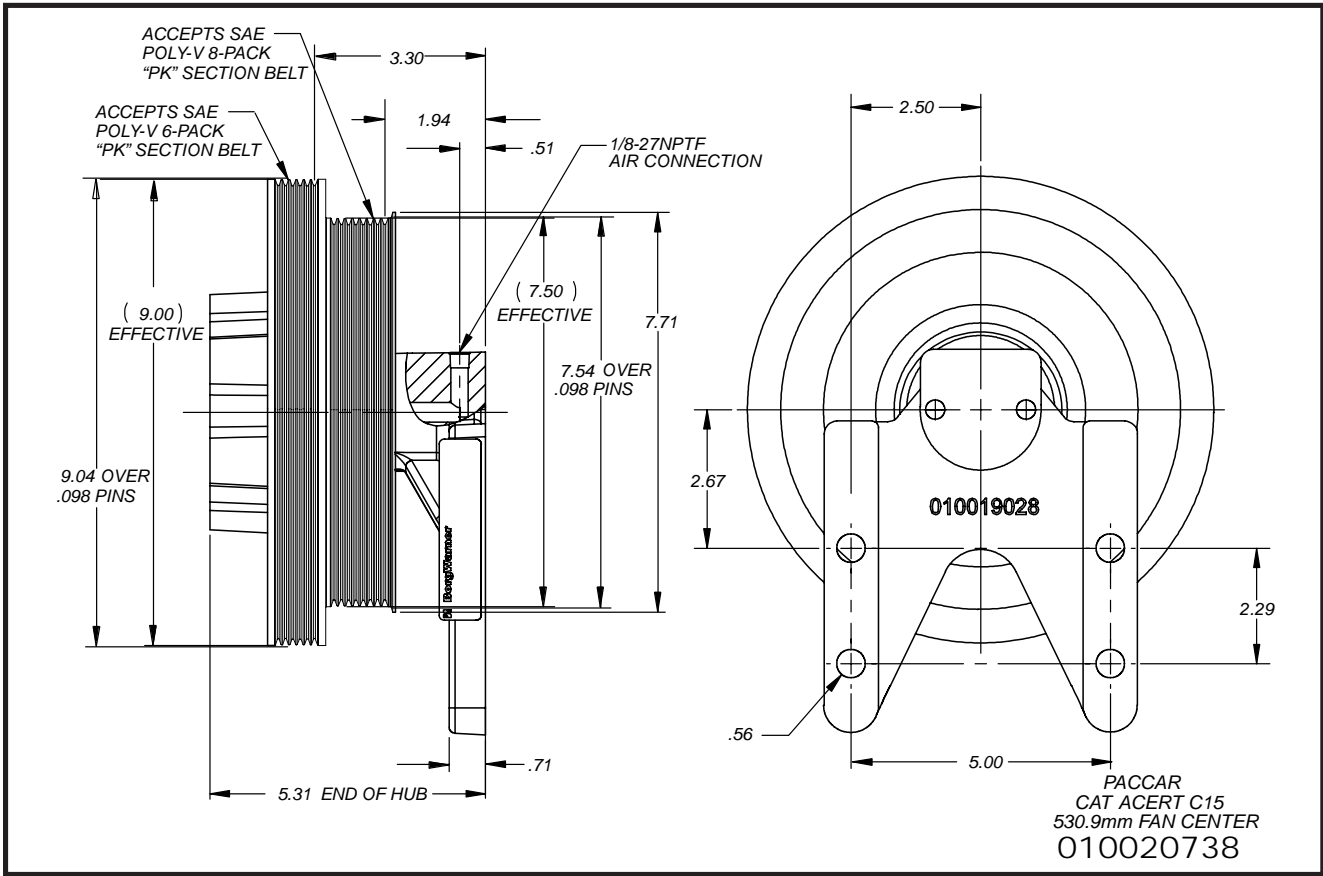
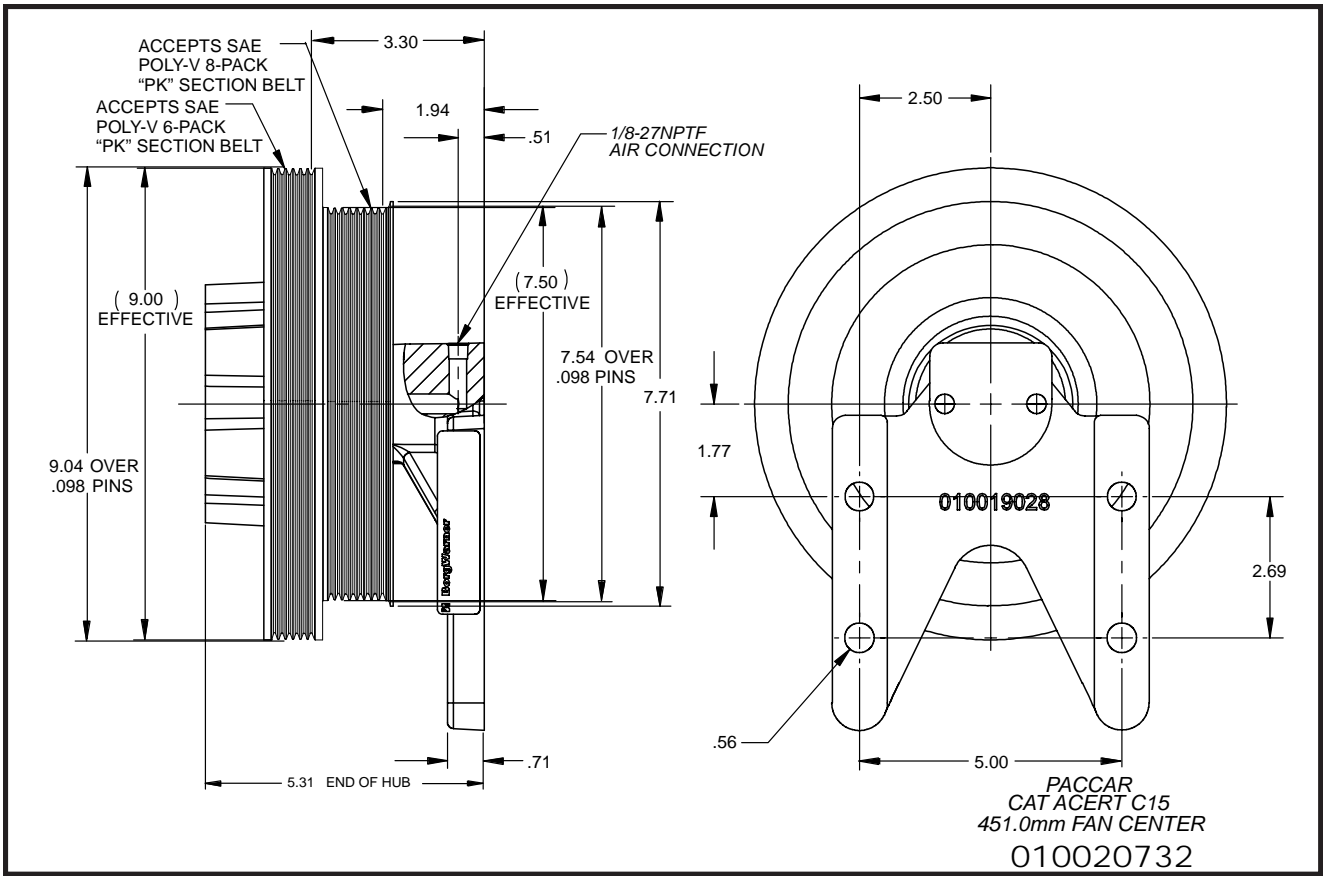


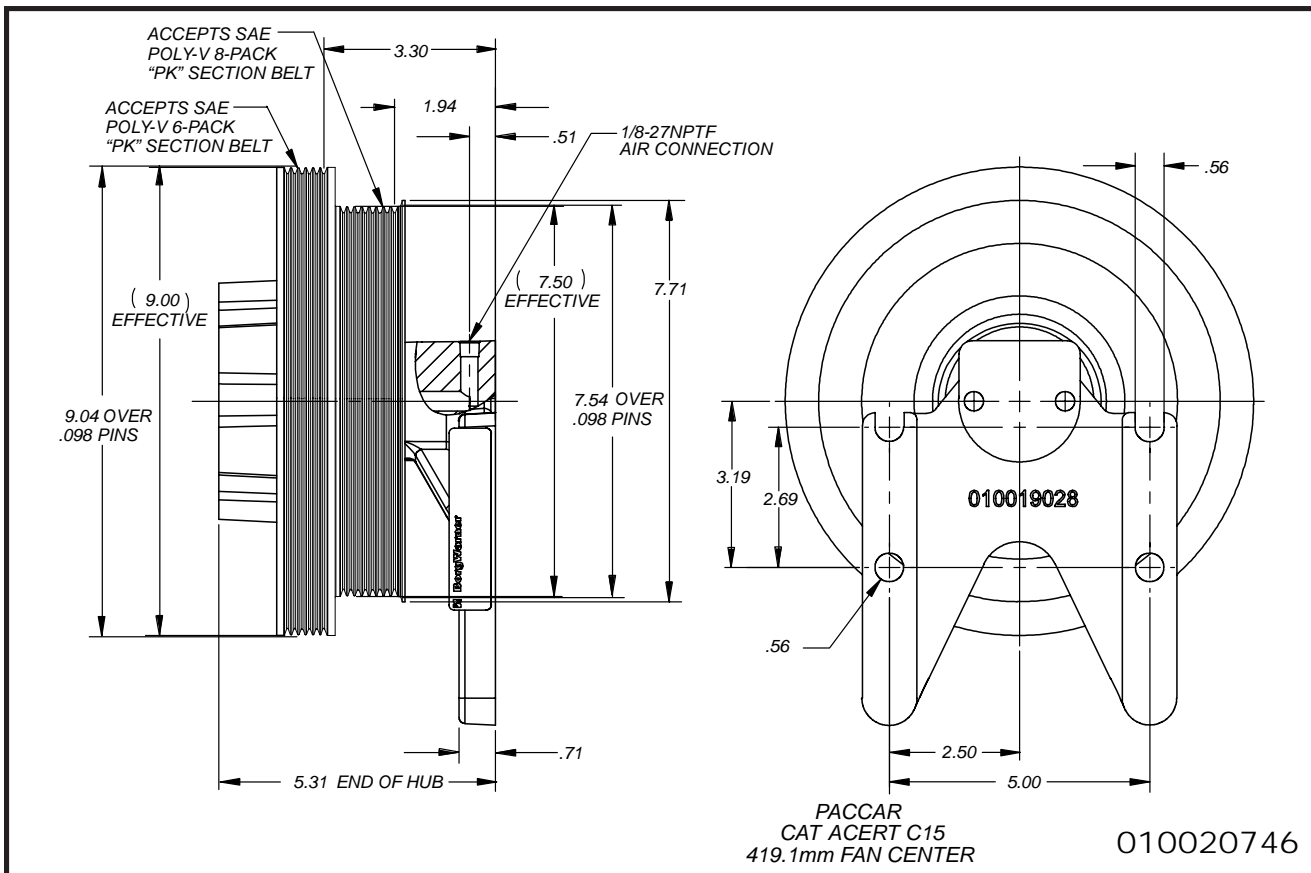
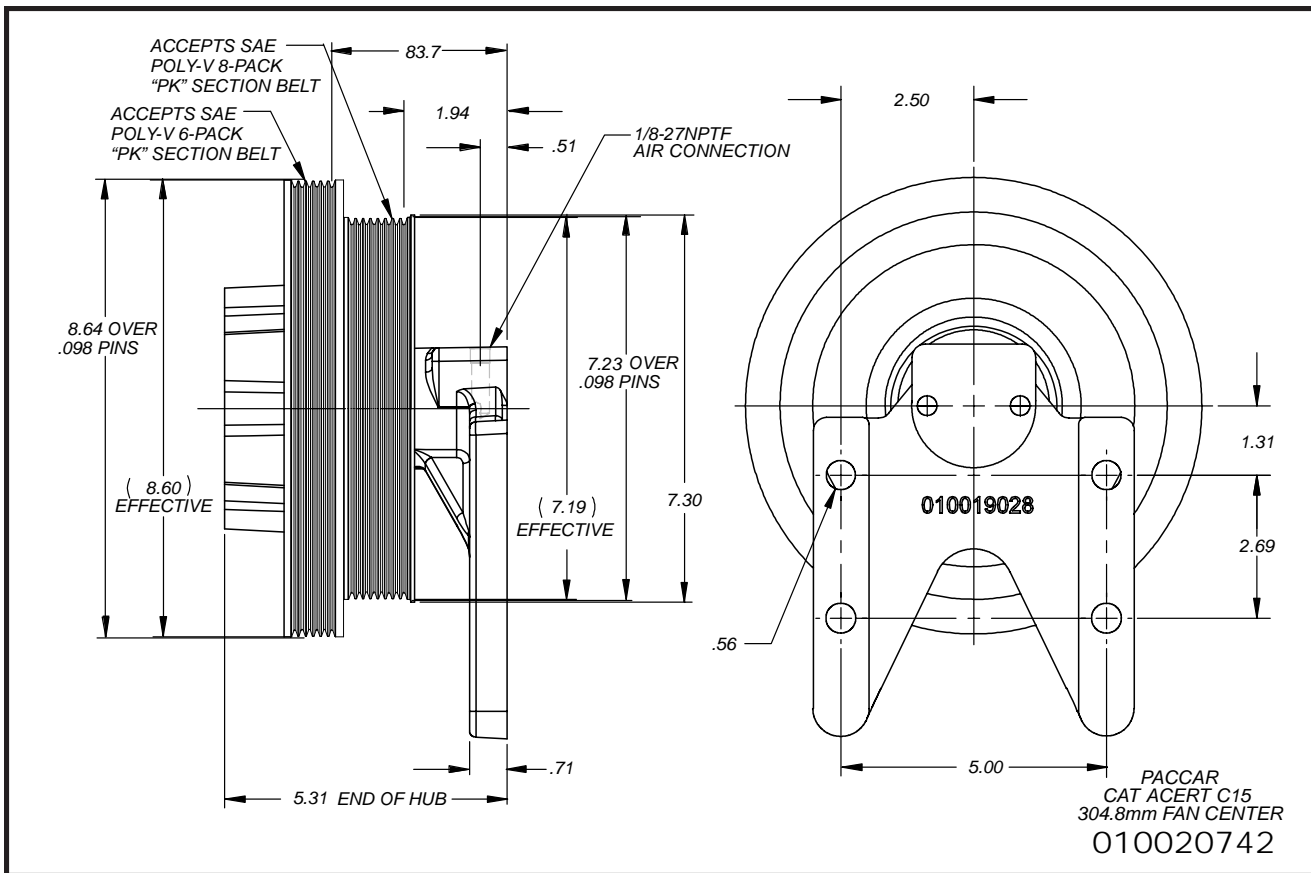


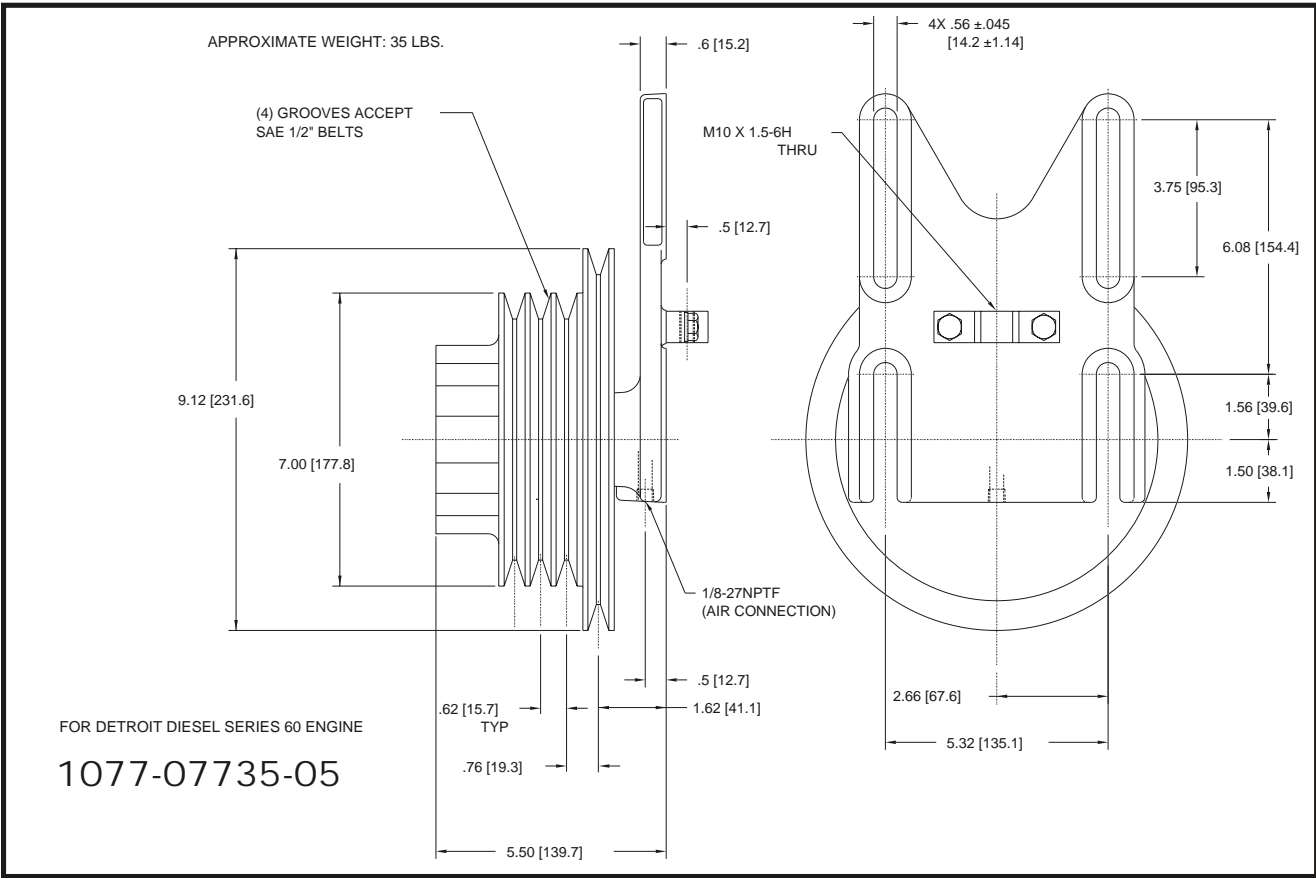
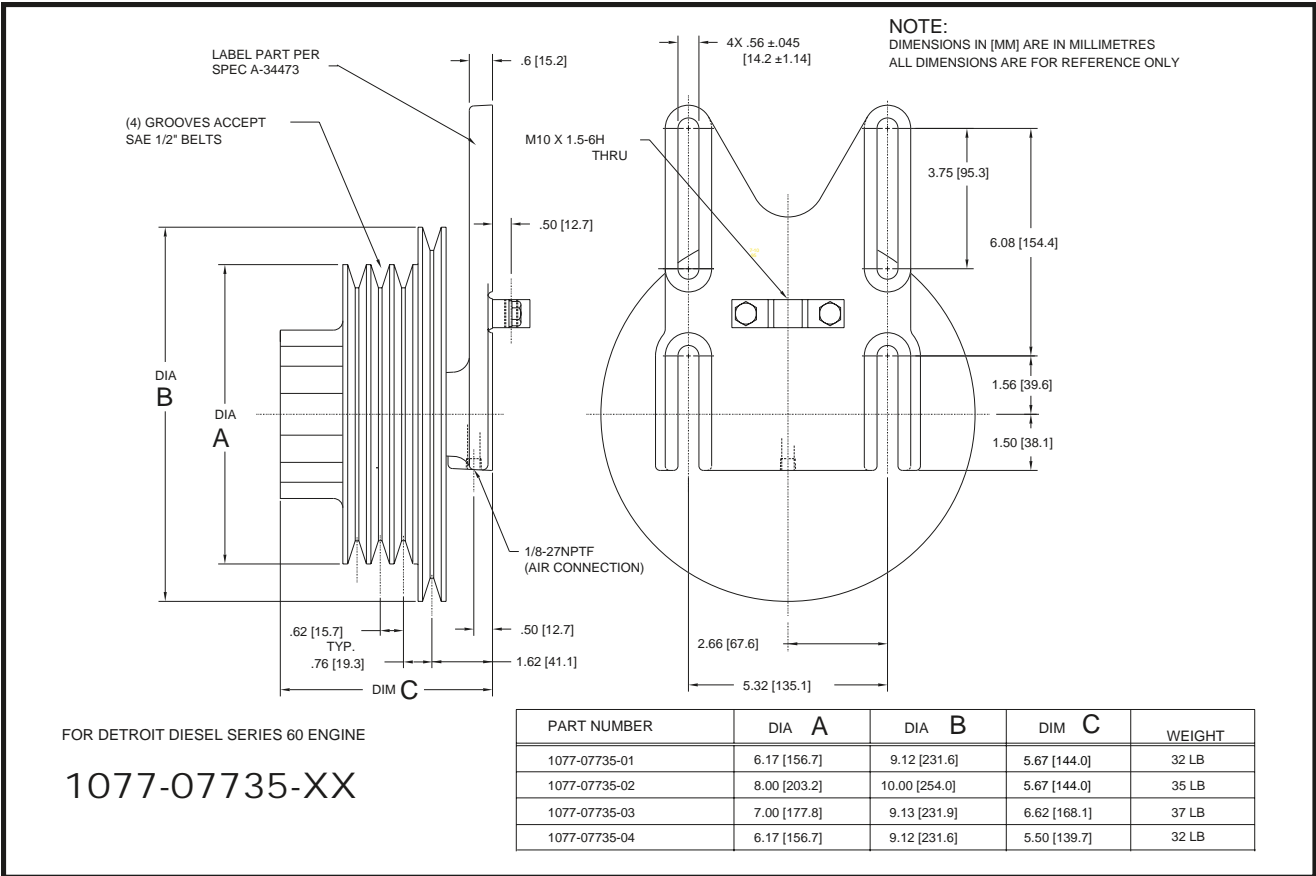


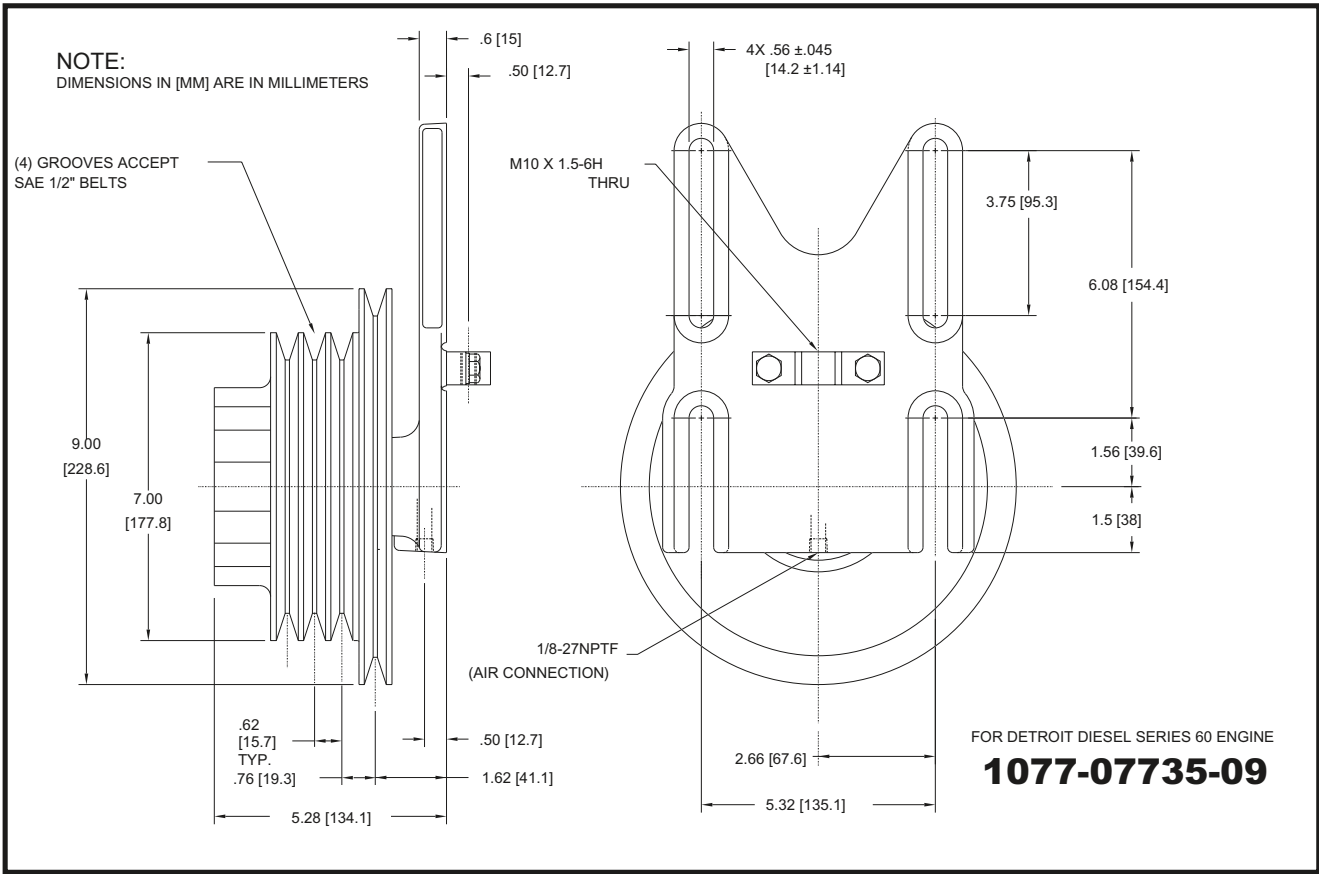
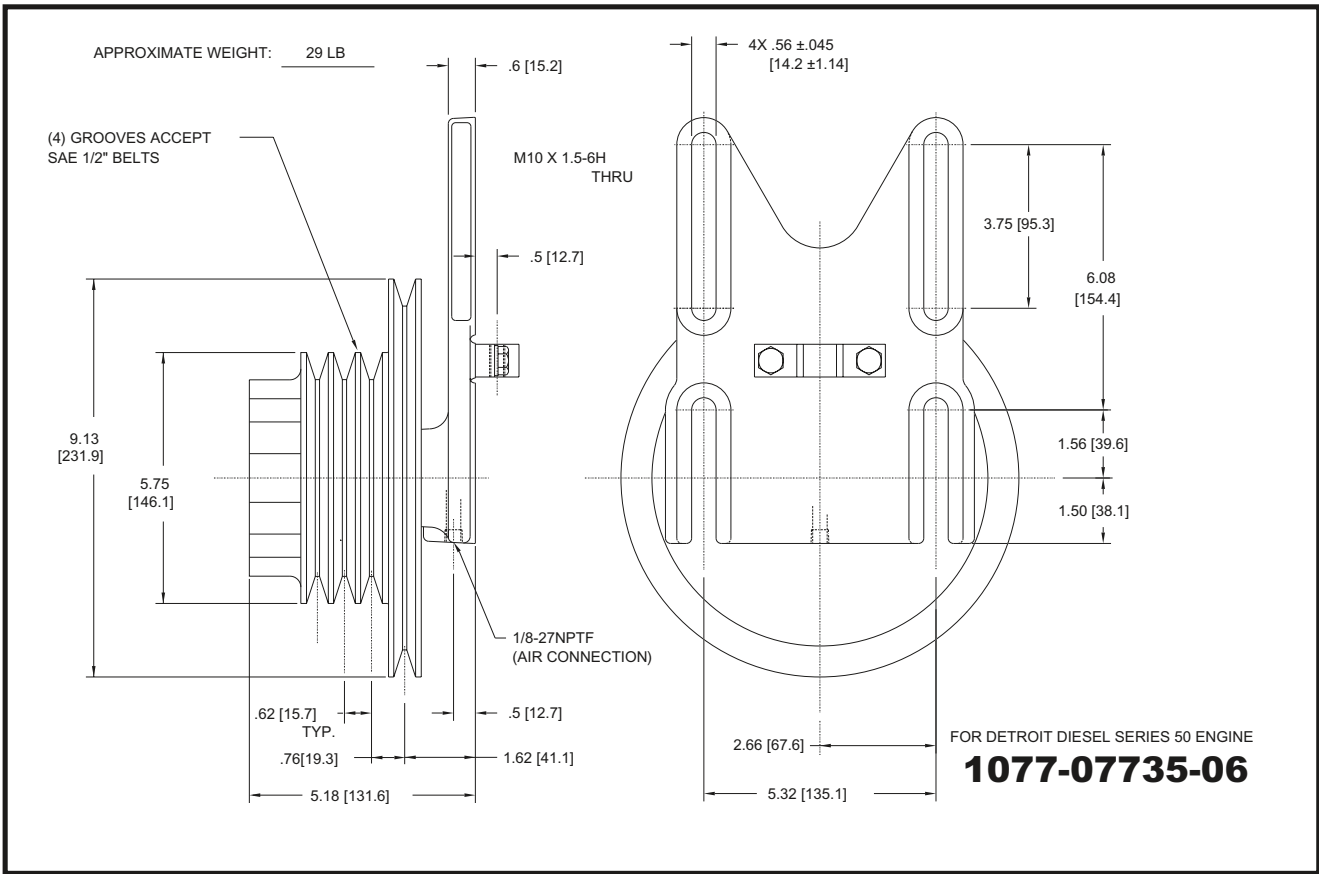


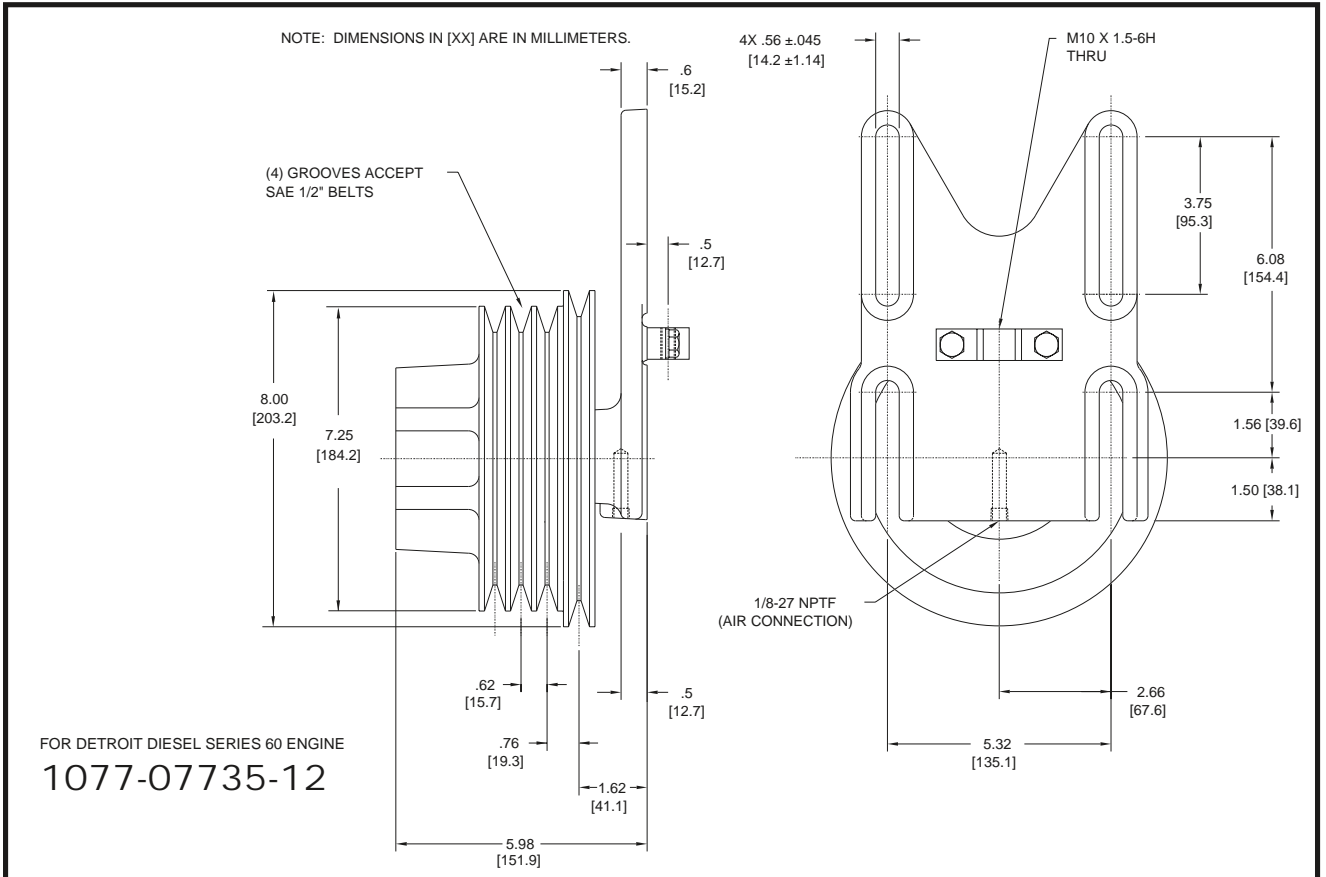
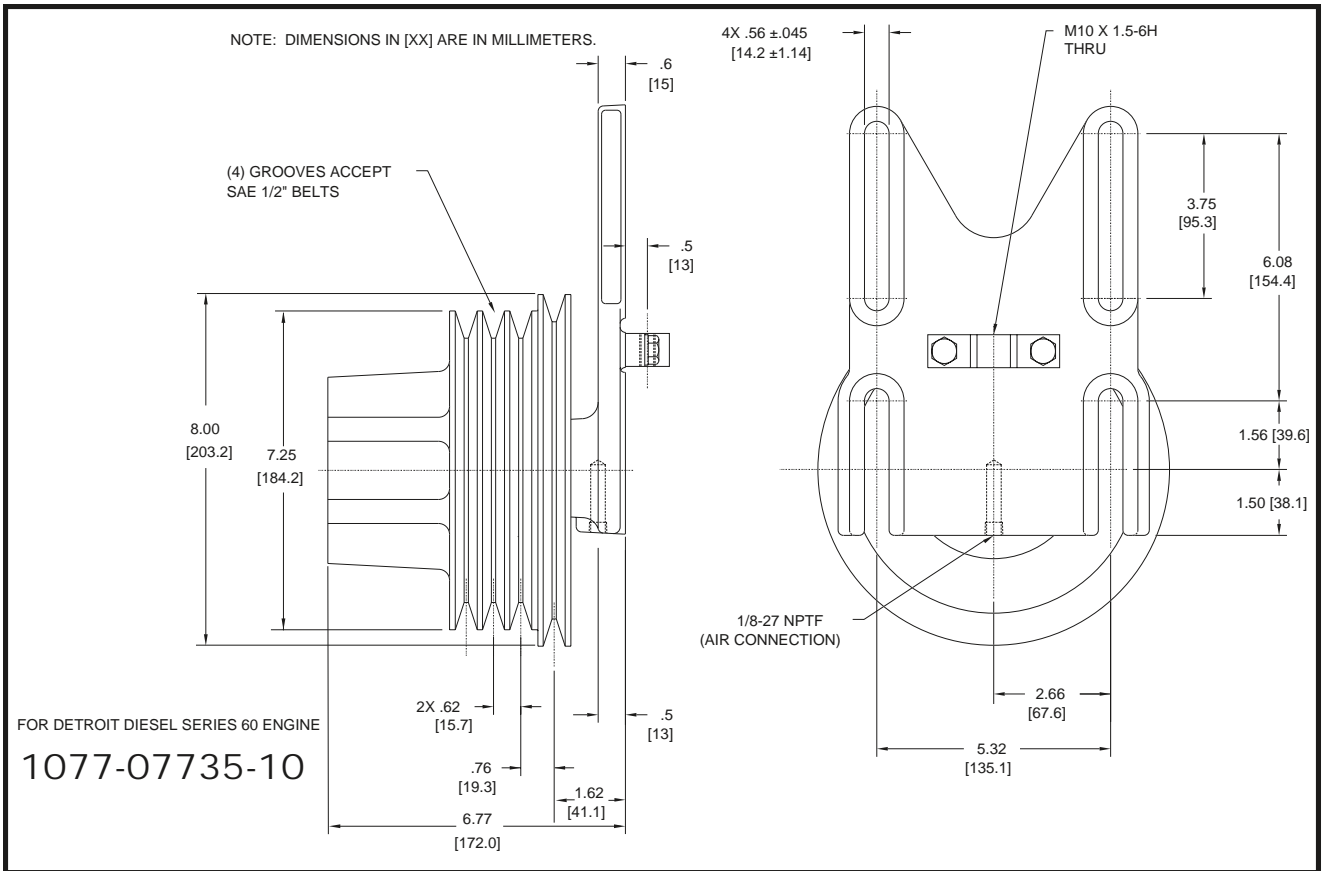


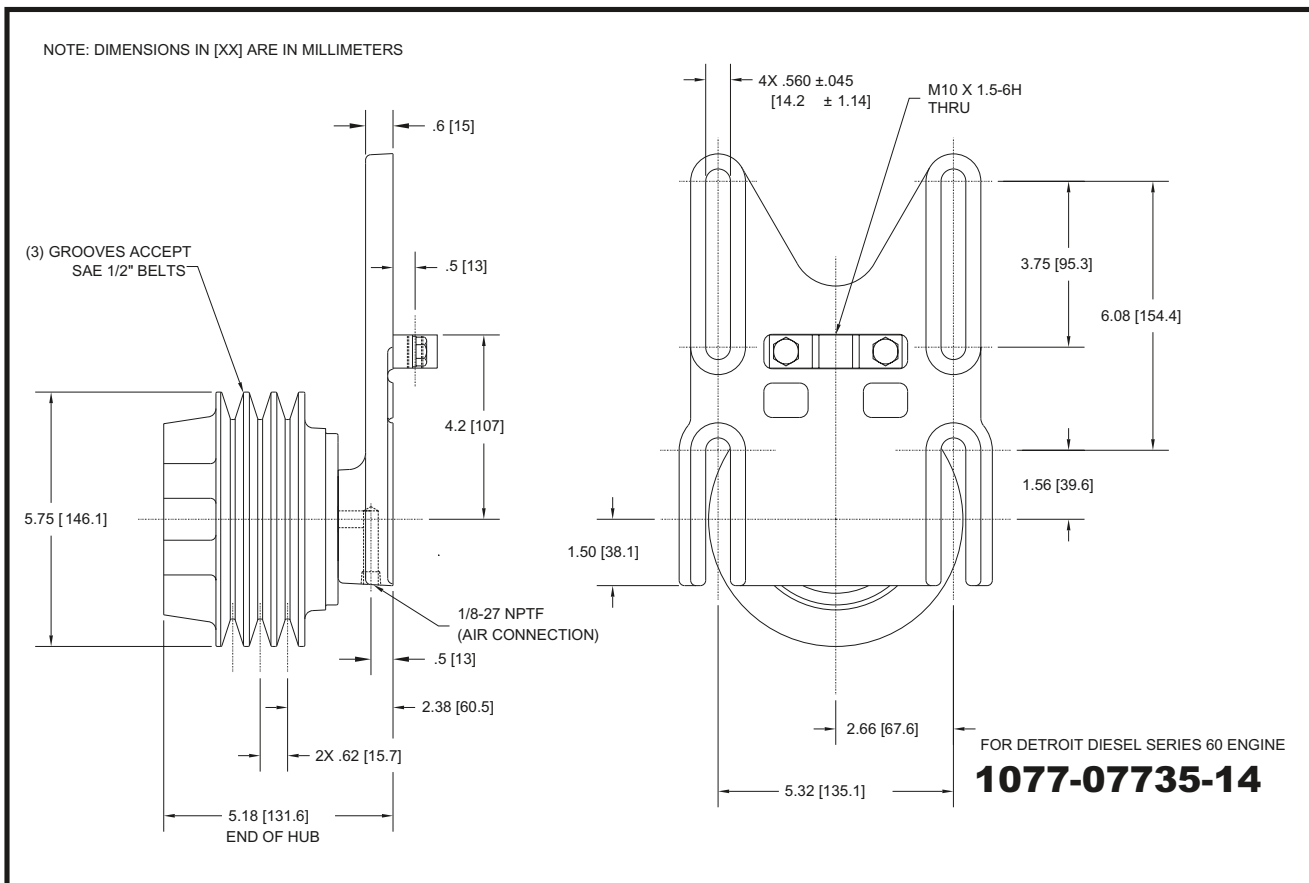
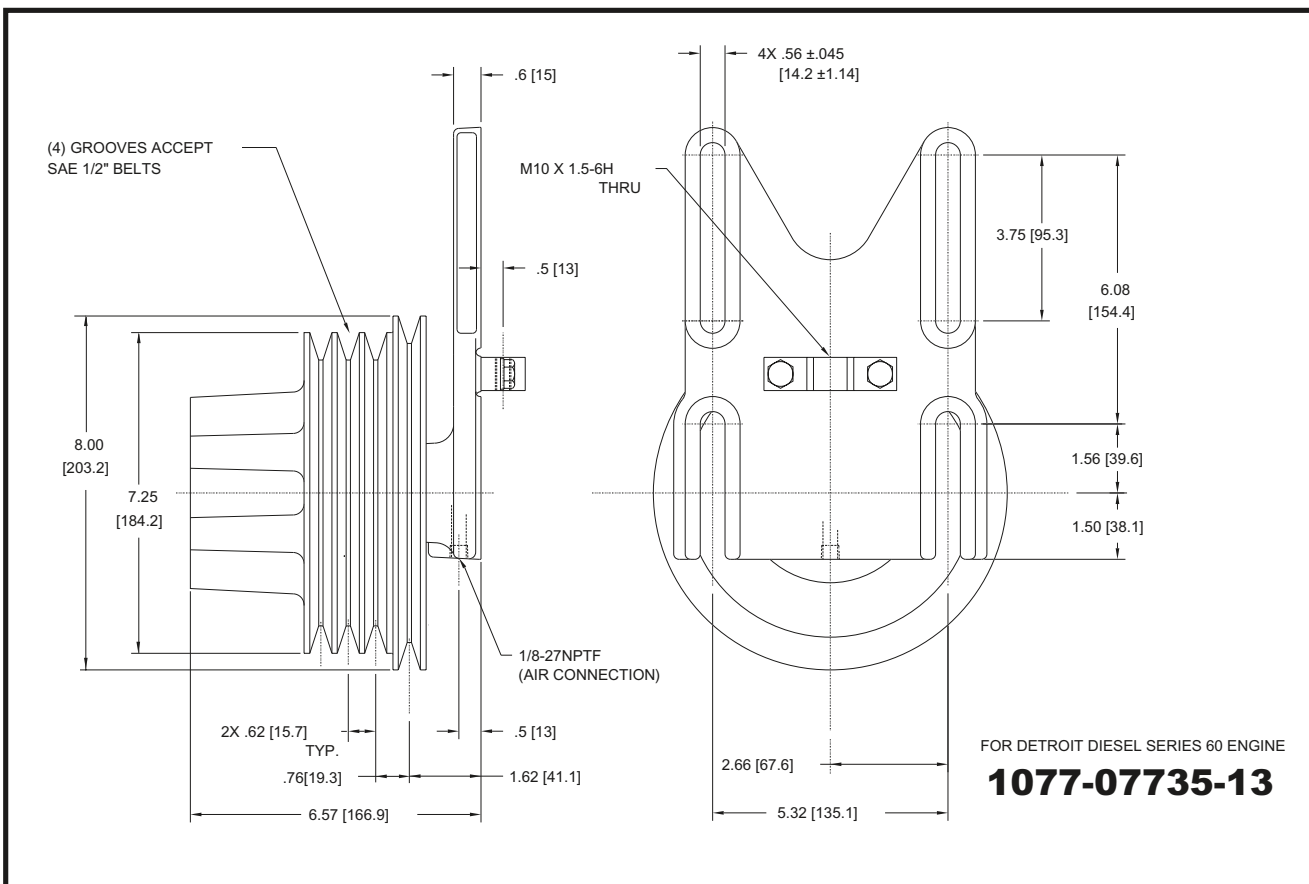


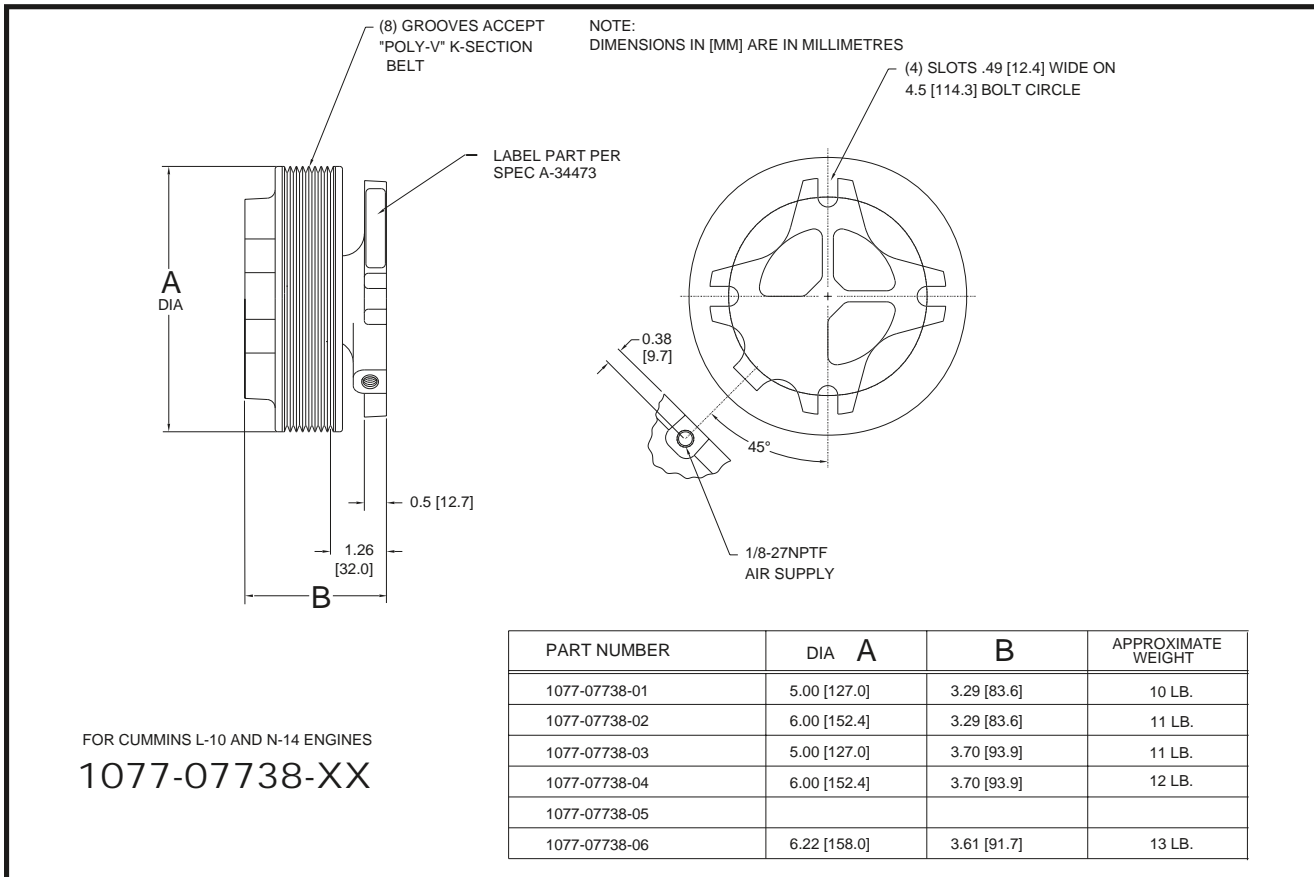
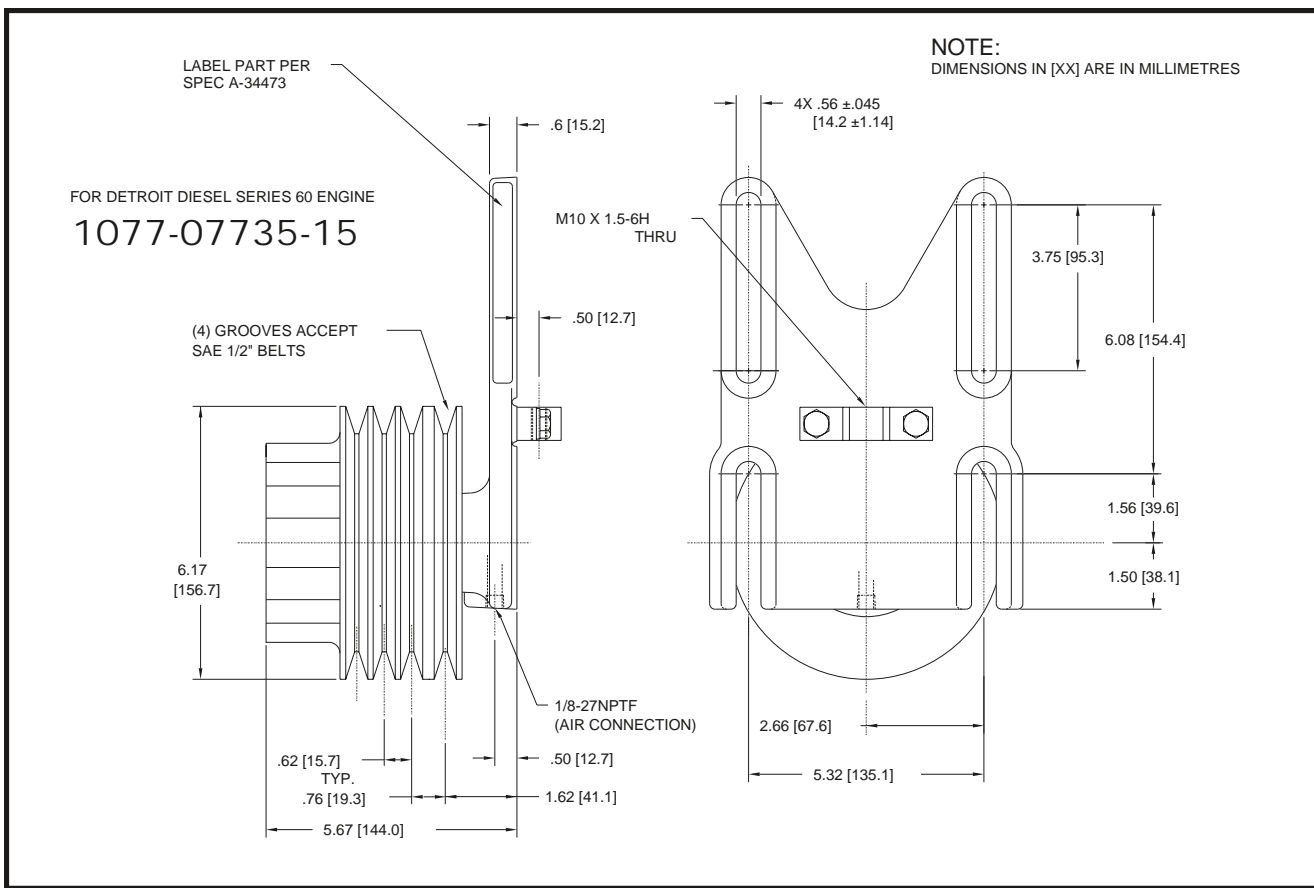






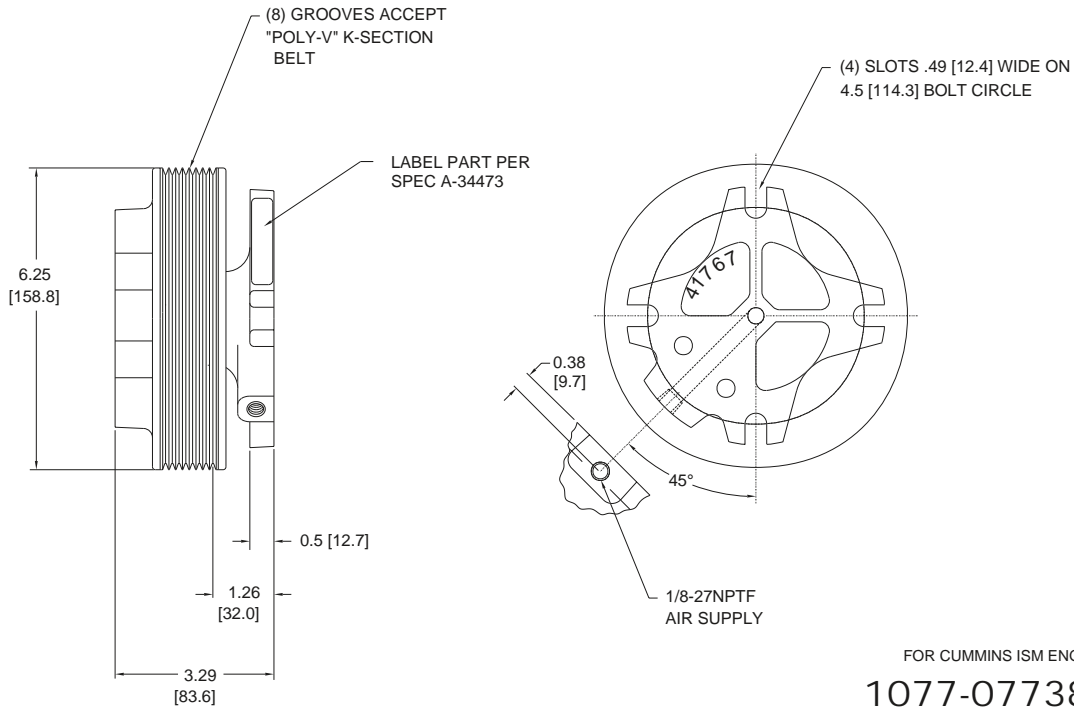




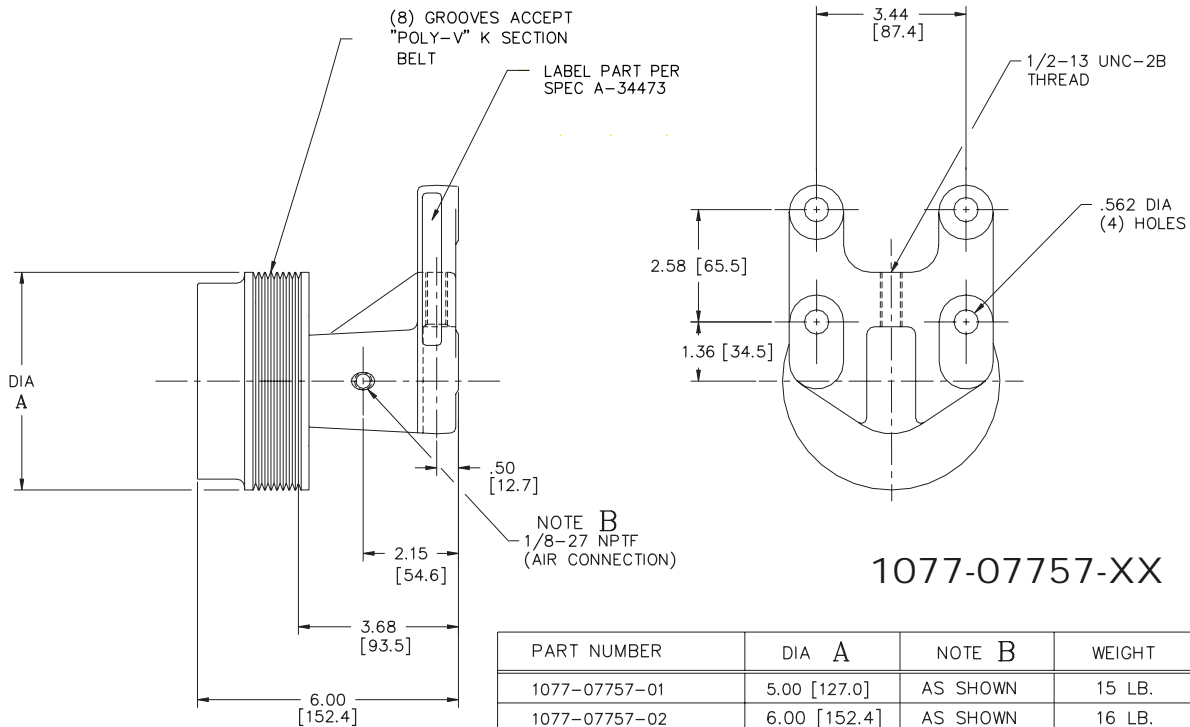




NOTE:  
DIMENSIONS IN [MM] ARE IN MILLIMETERS.

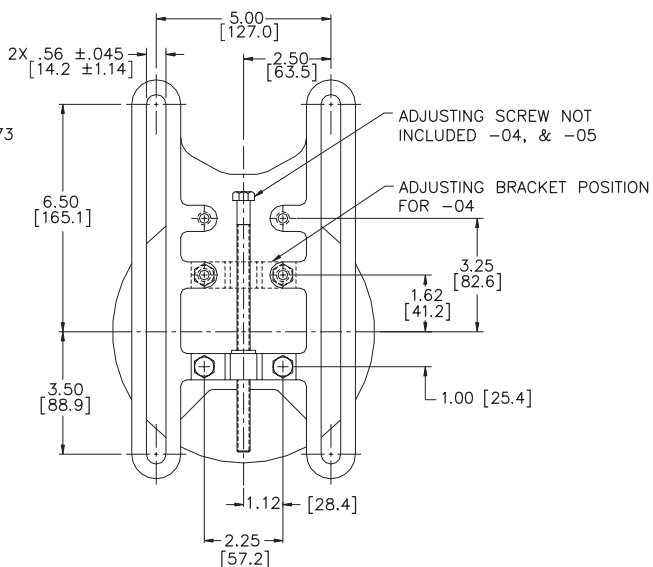
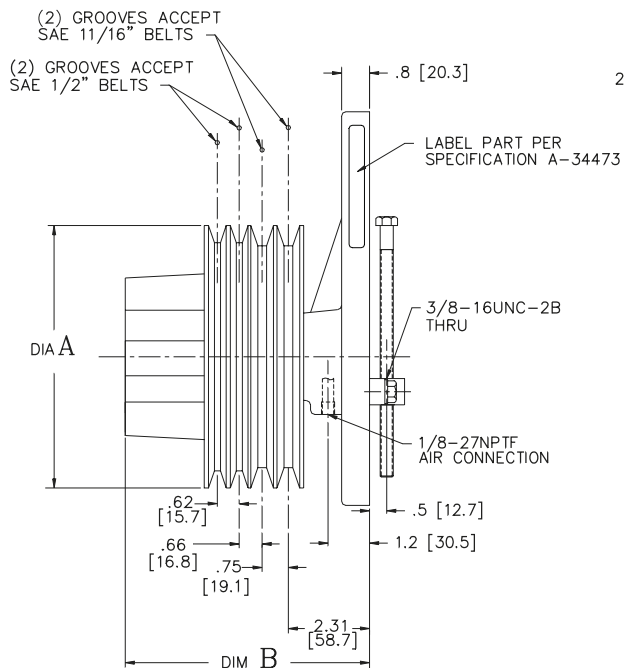


DIMENSIONS IN [MM] ARE IN MILLIMETRES



PART NUMBER	DIA A	NOTE B	WEIGHT
1077-07757-01	5.00 [127.0]	AS SHOWN	15 LB.
1077-07757-02	6.00 [152.4]	AS SHOWN	16 LB.
1077-07752-03	5.00 [127.0]	NO PORT	15 LB.
1077-07752-04	6.00 [152.4]	NO PORT	16 LB.

DIMENSIONS IN [mm] ARE IN MILLIMETERS.

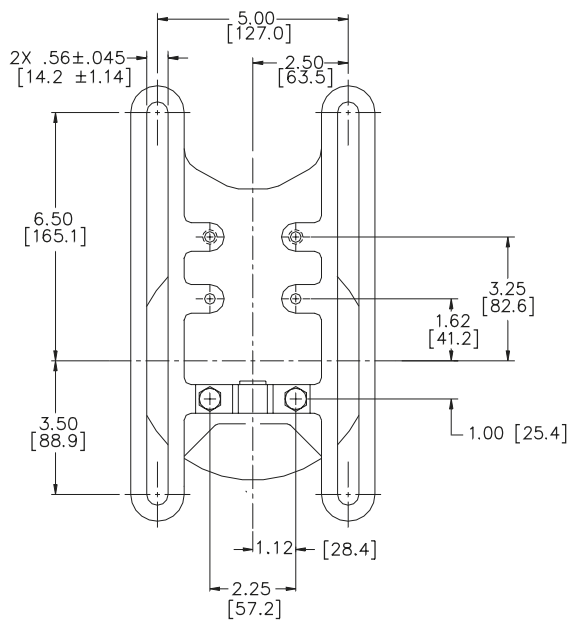
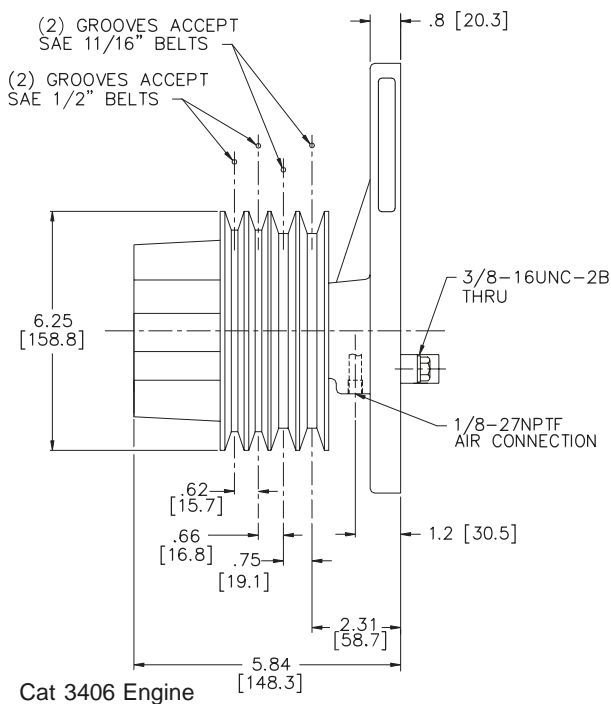


PART NUMBER	DIA A	DIM B	APPROX. WEIGHT
1077-07767-01	7.50 [190.5]	5.84 [148.3]	33 LB
1077-07767-03	7.50 [190.5]	6.23 [158.2]	33 LB
1077-07767-04	7.50 [190.5]	5.47 [138.9]	31 LB
1077-07767-05	7.00 [177.8]	6.72 [170.7]	34 LB

FOR CAT 3406 ENGINE

1077-07767-XX

DIMENSIONS IN [mm] ARE IN MILLIMETERS.



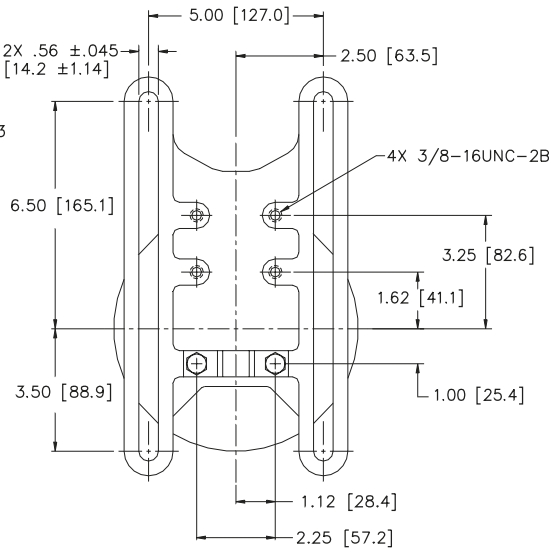
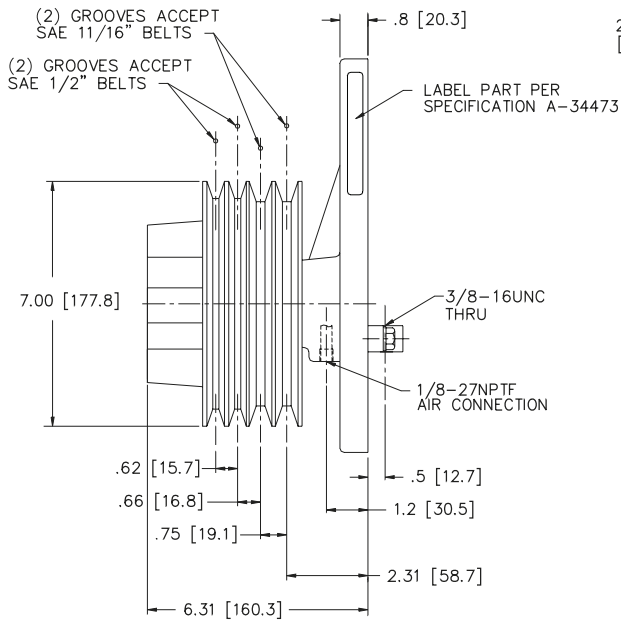
Cat 3406 Engine

1077-07767-02

APPROXIMATE WEIGHT: 30 LBS.

NOTE: DIMENSIONS IN [mm] ARE IN MILLIMETERS.

APPROXIMATE WEIGHT: 32 lbs

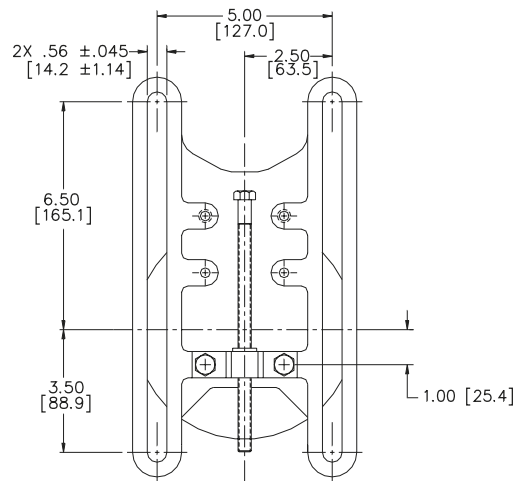
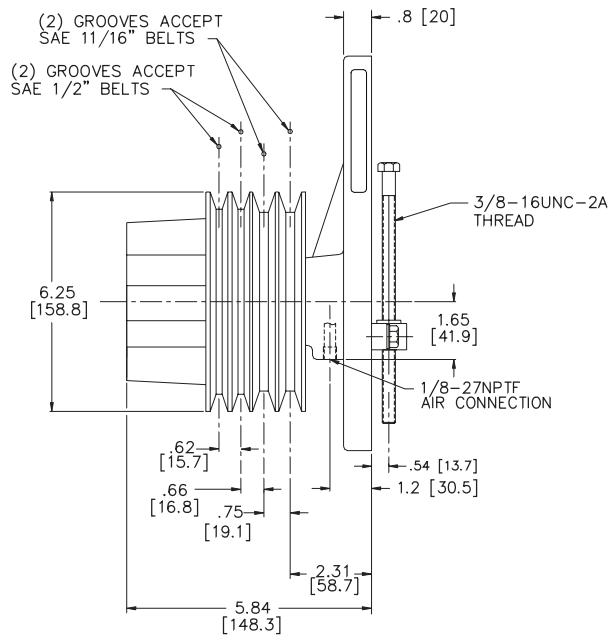


FOR CAT 3406 ENGINE

1077-07767-06

DIMENSIONS IN [mm] ARE IN MILLIMETERS.

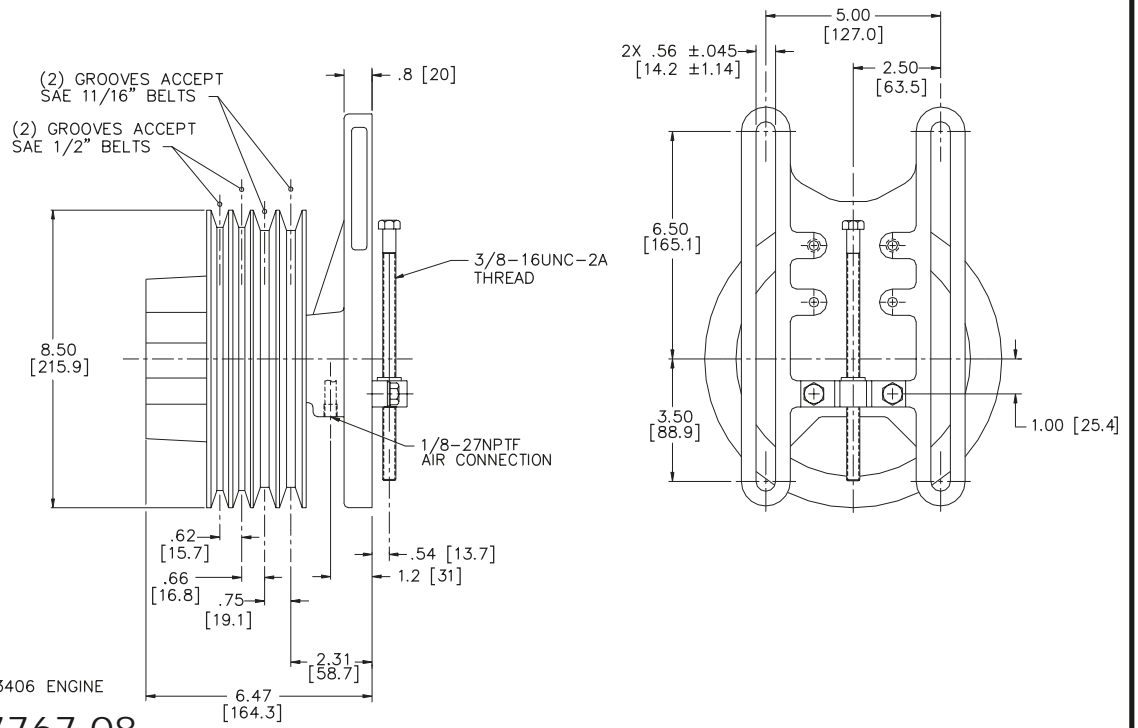
APPROXIMATE WEIGHT: 30 LBS.



FOR CAT 3406 ENGINE

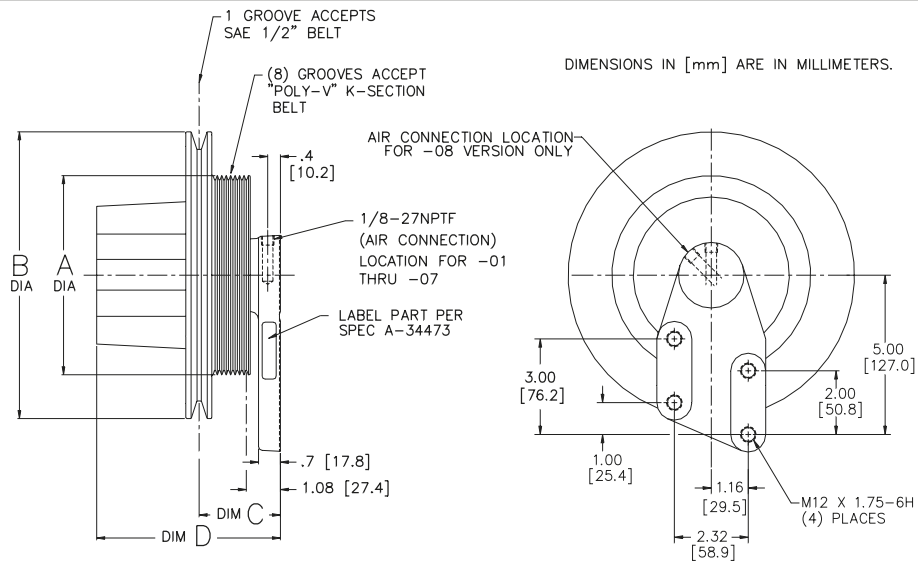
1077-07767-07

DIMENSIONS IN [mm] ARE IN MILLIMETERS.



1077-07767-09 outline not available

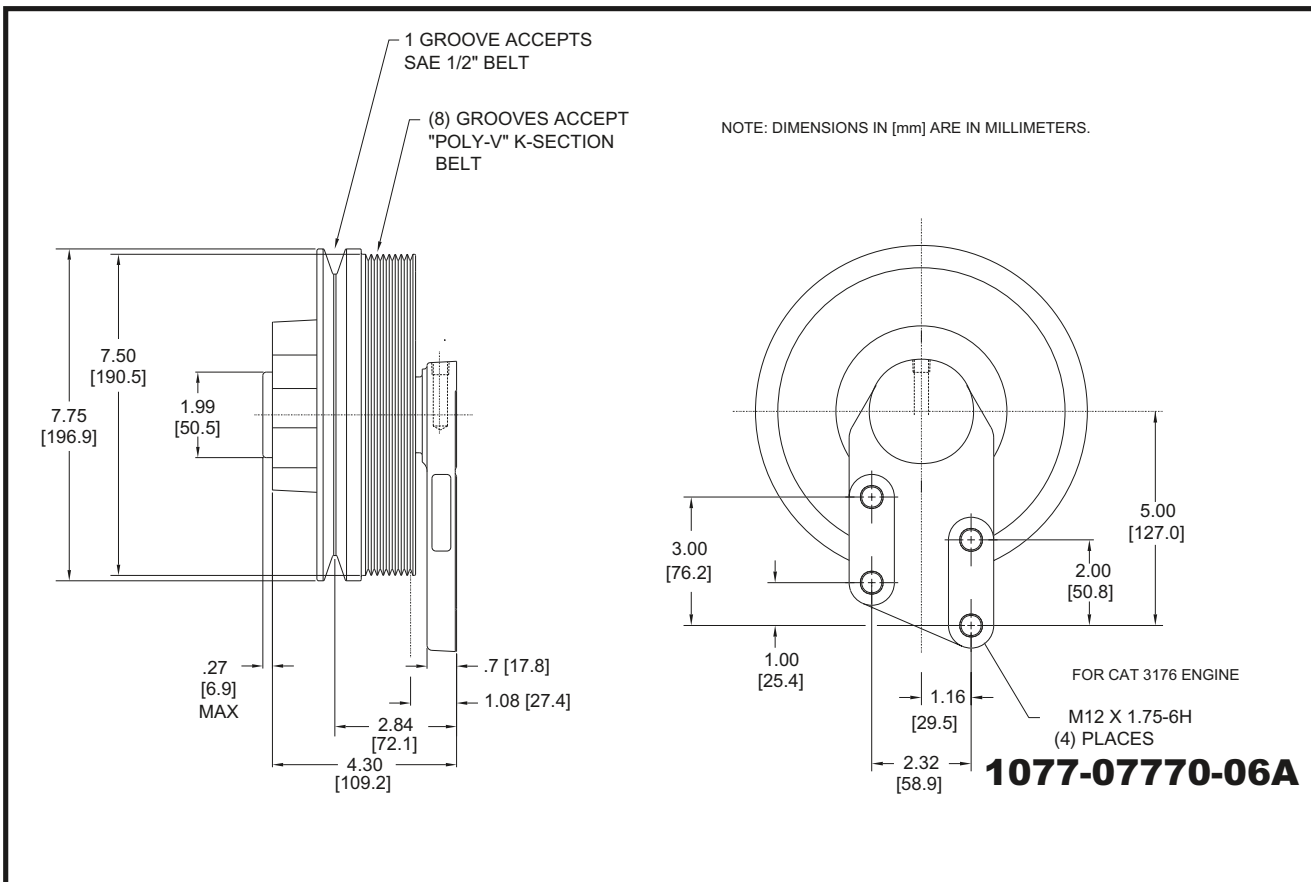
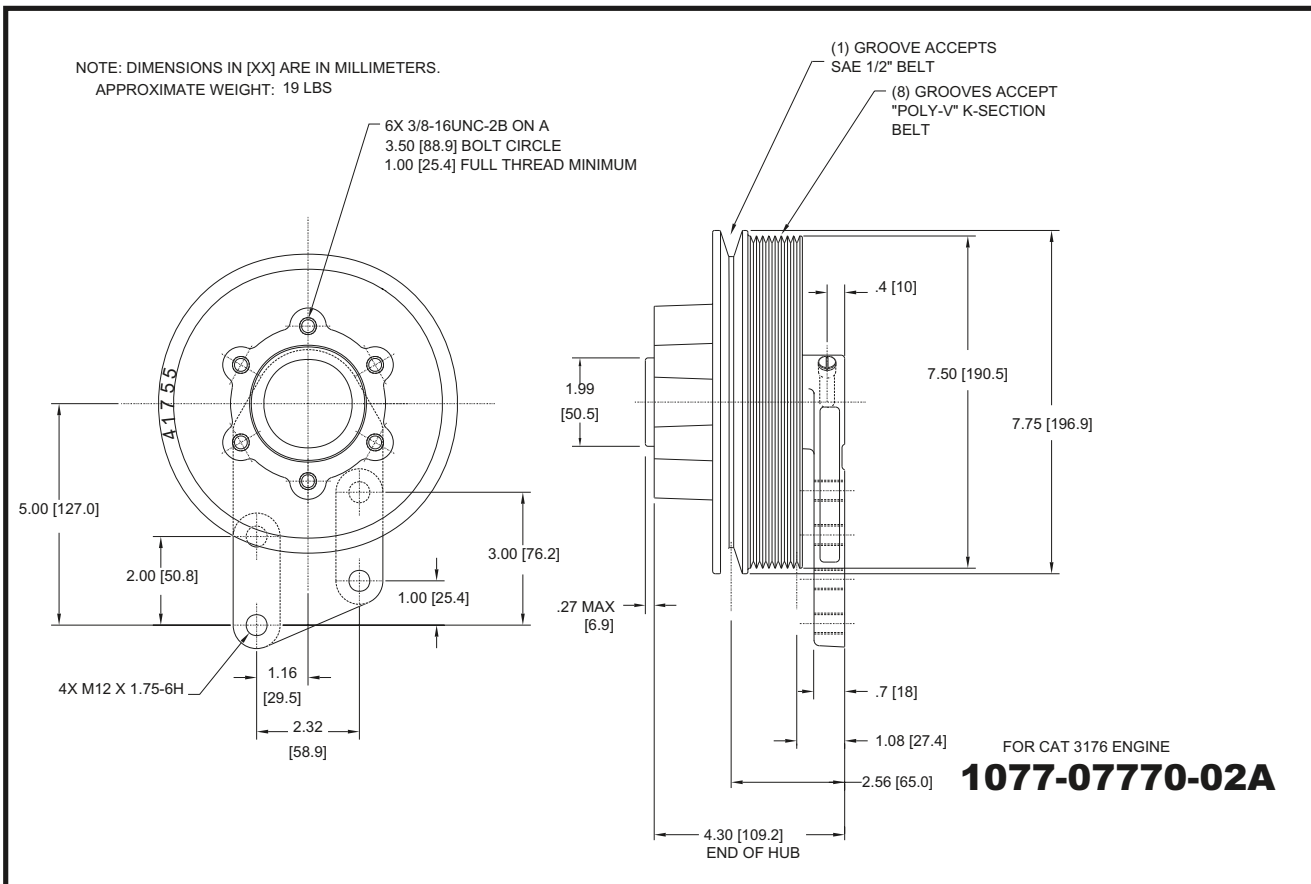
DIMENSIONS IN [mm] ARE IN MILLIMETERS.

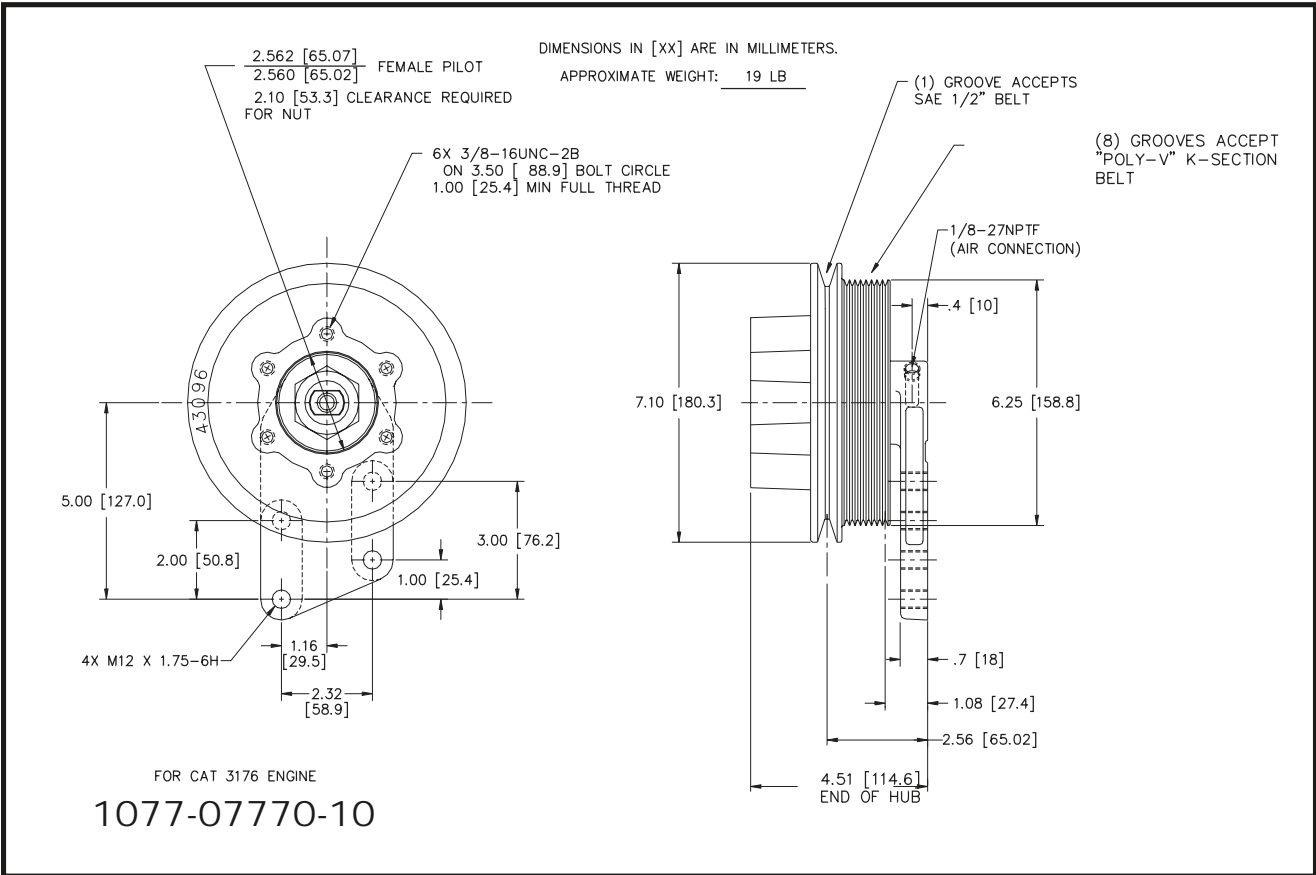
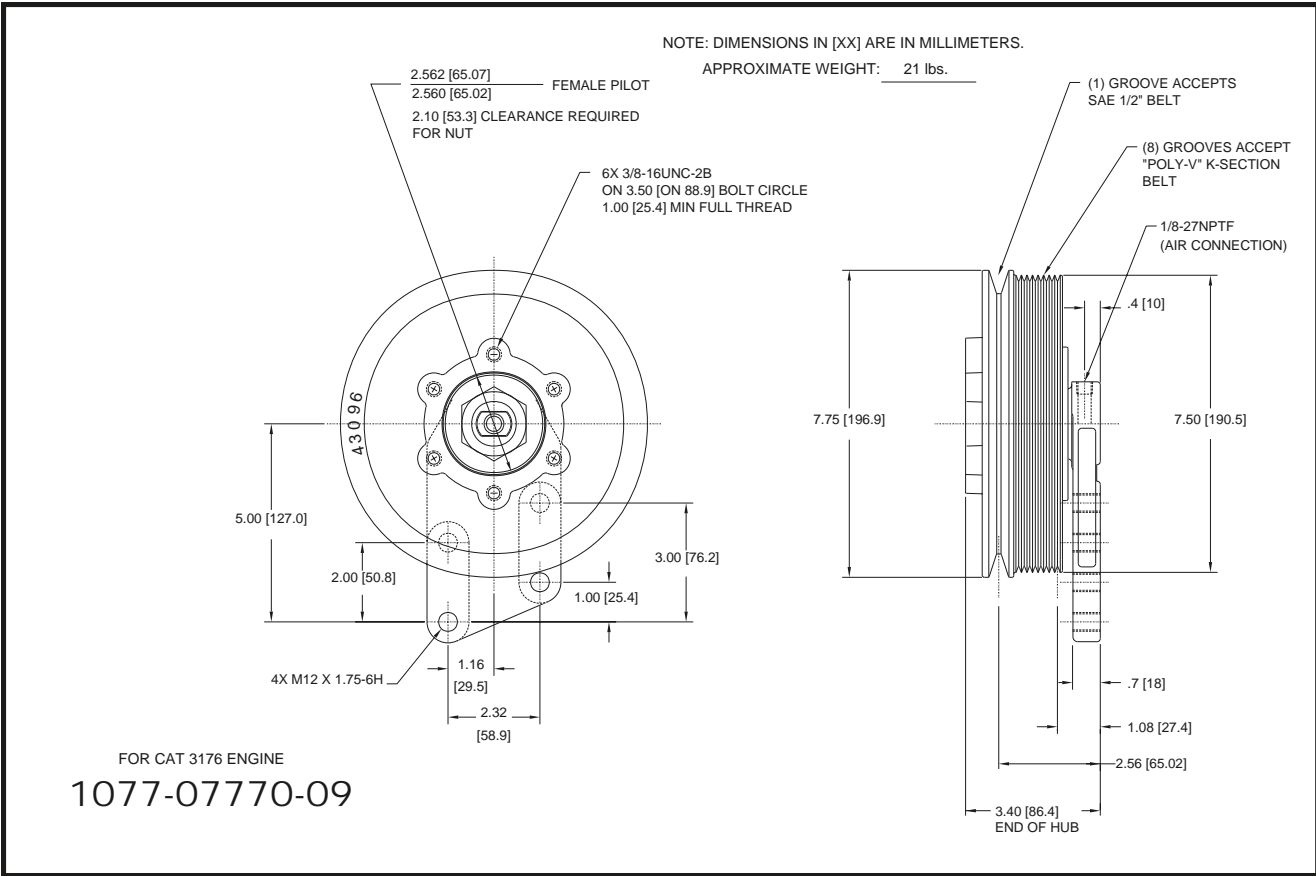


FOR CAT 3176 ENGINE

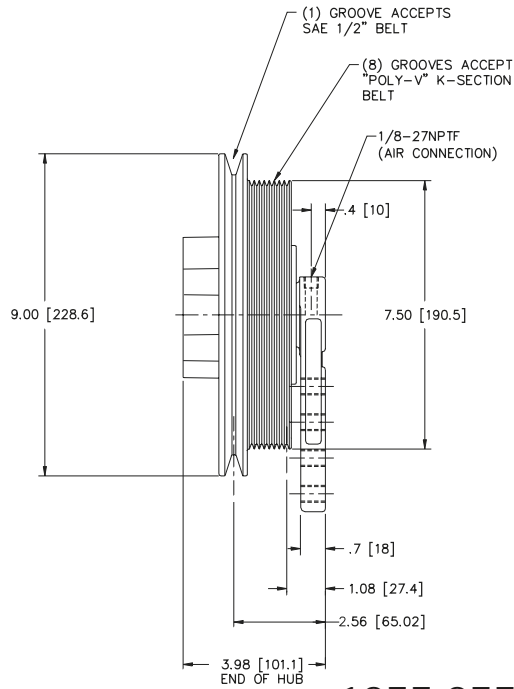
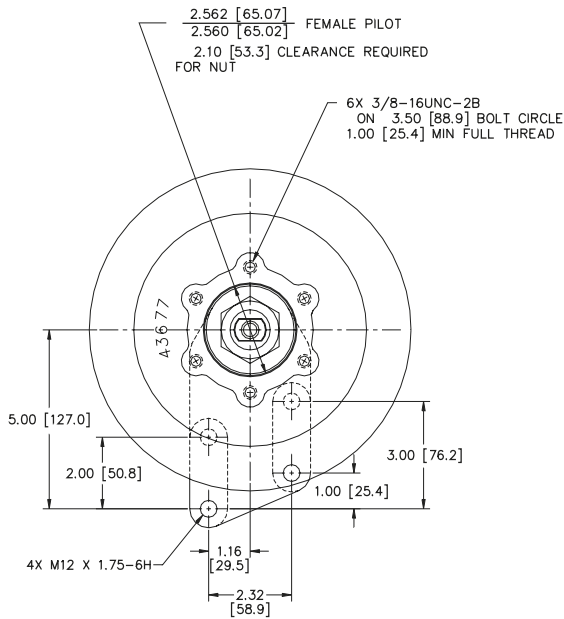
1077-07770-XX

PART NUMBER	DIA A	DIA B	DIM C	DIM D	APPROX WEIGHT
1077-07770-01	6.25 [158.8]	7.75 [196.9]	2.56 [65.0]	4.30 [109.2]	18 LB
1077-07770-02	7.50 [190.5]	7.75 [196.9]	2.56 [65.0]	4.30 [109.2]	19 LB
1077-07770-03	6.25 [158.8]	9.00 [228.6]	2.56 [65.0]	4.78 [121.4]	24 LB
1077-07770-04					
1077-07770-05	6.25 [158.8]	9.00 [228.6]	2.56 [65.0]	5.78 [146.8]	27 LB
1077-07770-06	7.50 [190.5]	7.75 [196.9]	2.84 [72.1]		22 LB
1077-07770-07	6.25 [158.8]	9.00 [228.6]	2.56 [65.0]	5.26 [133.6]	25 LB
1077-07770-08	7.50 [190.5]	7.75 [196.9]	2.56 [65.0]	4.78 [121.4]	21 LB

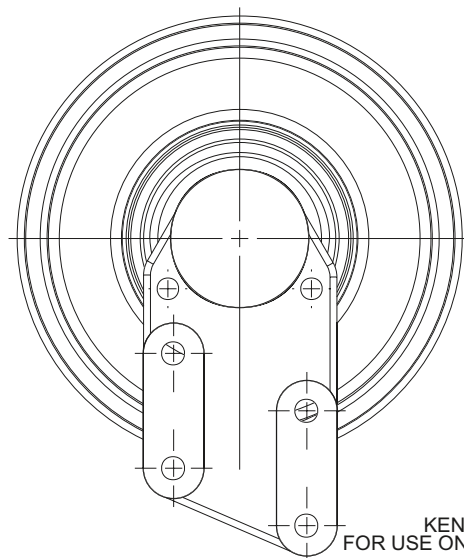
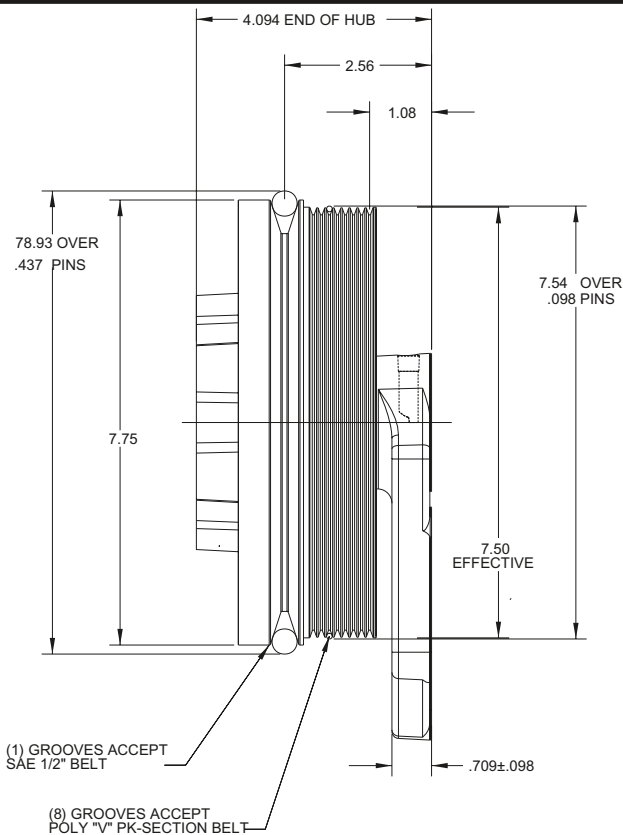




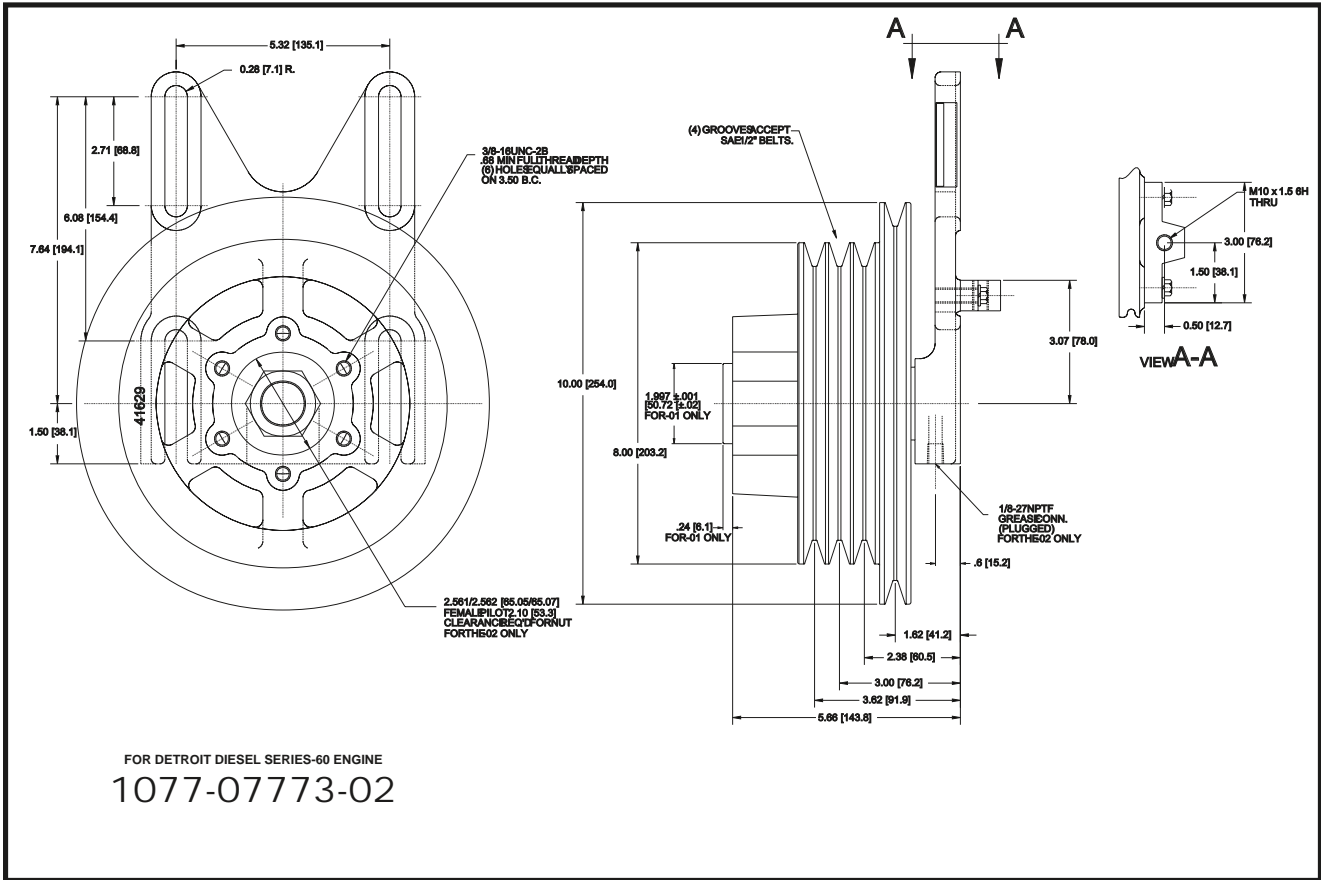
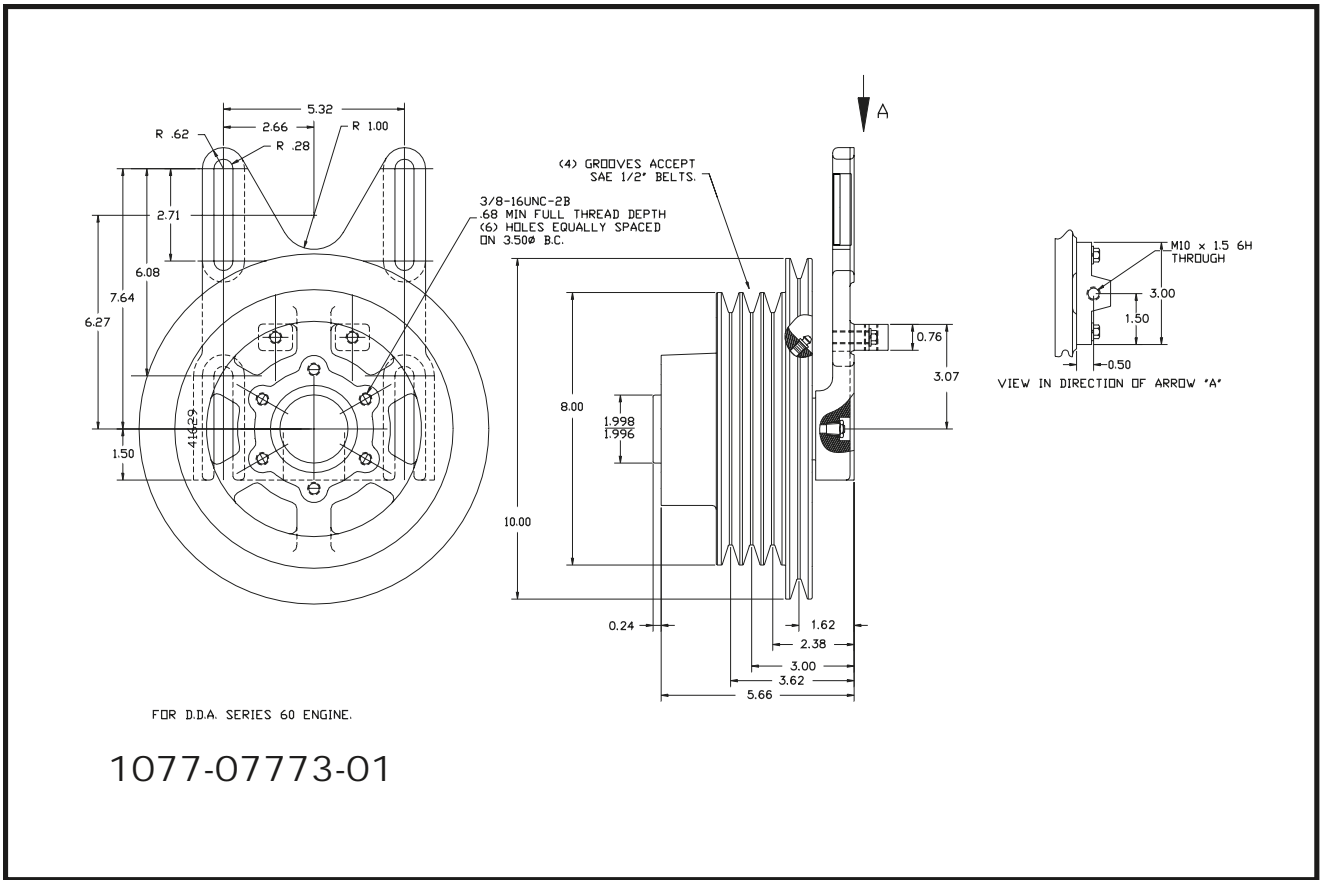
DIMENSIONS IN [xx] ARE IN MILLIMETERS.



1077-07770-12



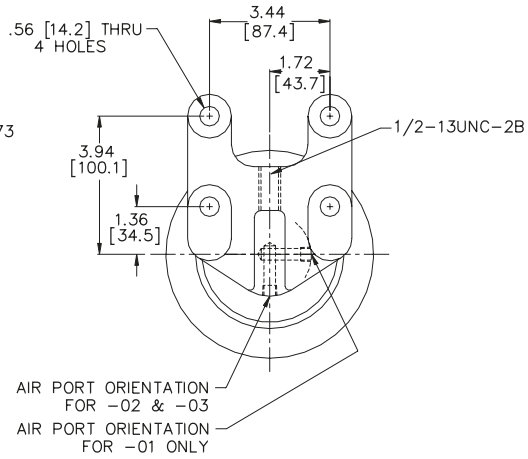
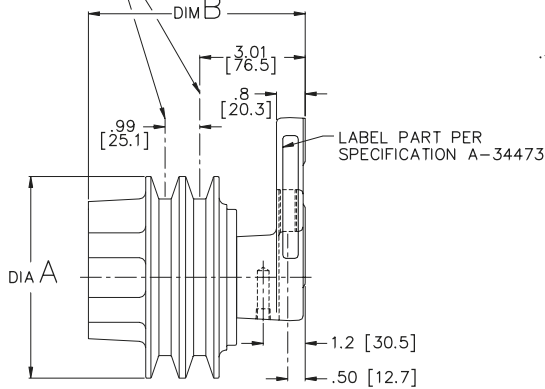
1077-07770-13





NOTE: DIMENSIONS IN [mm] ARE IN MILLIMETERS

2 GROOVES ACCEPT  
SAE 7/8" BELTS



PART NUMBER	DIA A	DIM B	APPROX. WEIGHT
1077-07867-01	7.03 [178.6]	5.72 [145.3]	23 LB
1077-07867-02	5.75 [146.1]	6.19 [157.2]	19 LB
1077-07867-03	7.03 [178.6]	7.19 [182.6]	27 LB

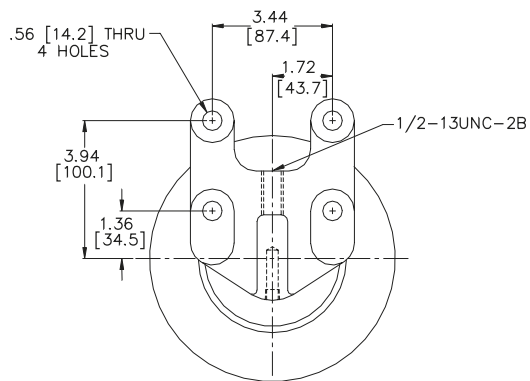
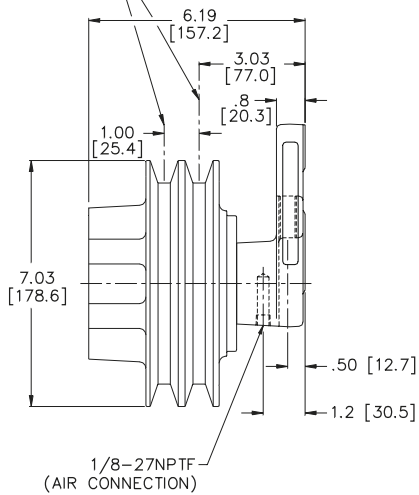
FOR CUMMINS N14 ENGINE

1077-07867-XX

NOTE: DIMENSIONS IN [mm] ARE IN MILLIMETERS

APPROXIMATE WEIGHT: 24 LBS.

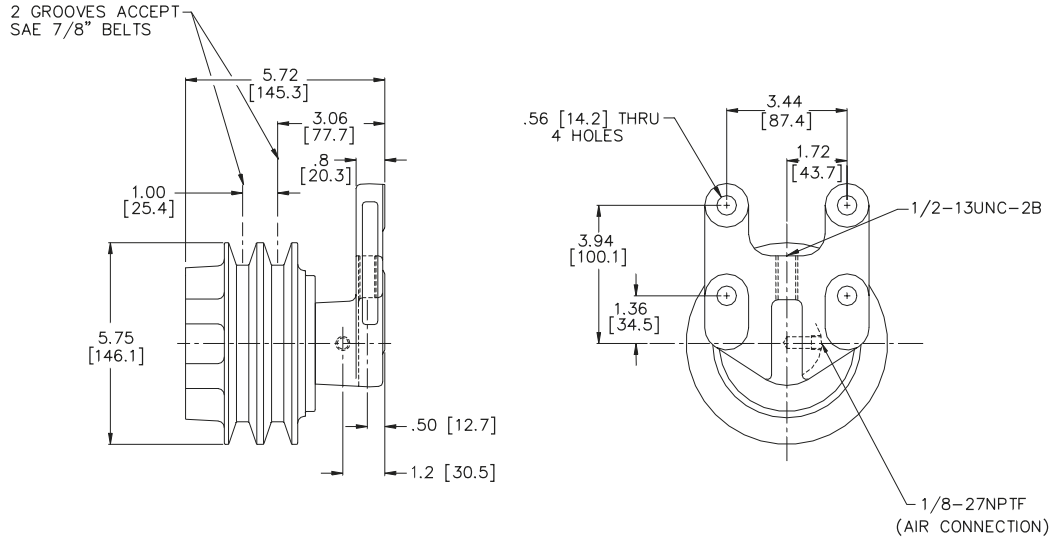
2 GROOVES ACCEPT  
SAE 7/8" BELTS



FOR CUMMINS N14 ENGINE

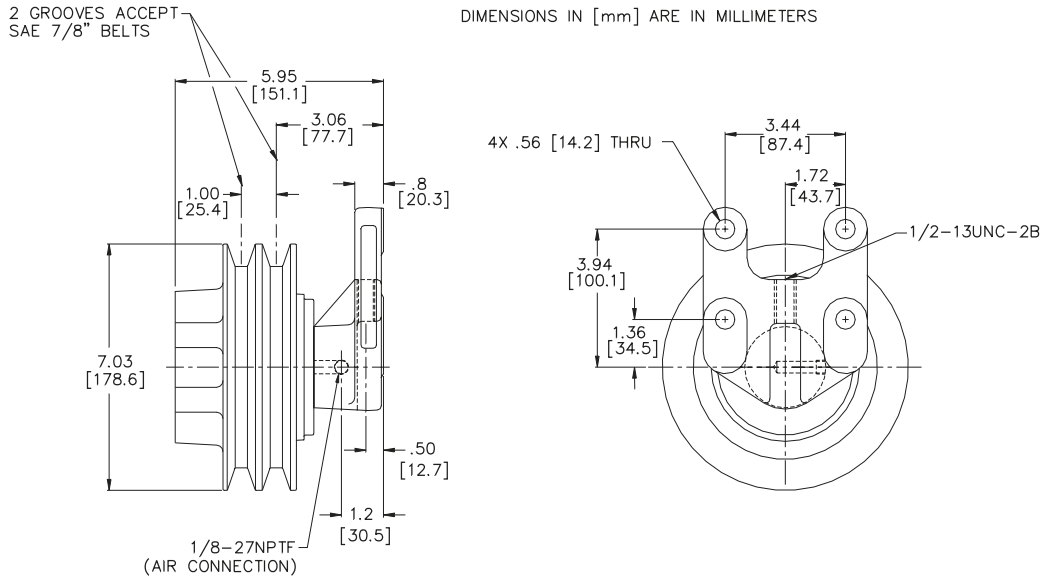
1077-07867-04

NOTE: DIMENSIONS IN [mm] ARE IN MILLIMETERS  
APPROXIMATE WEIGHT: 18 LB



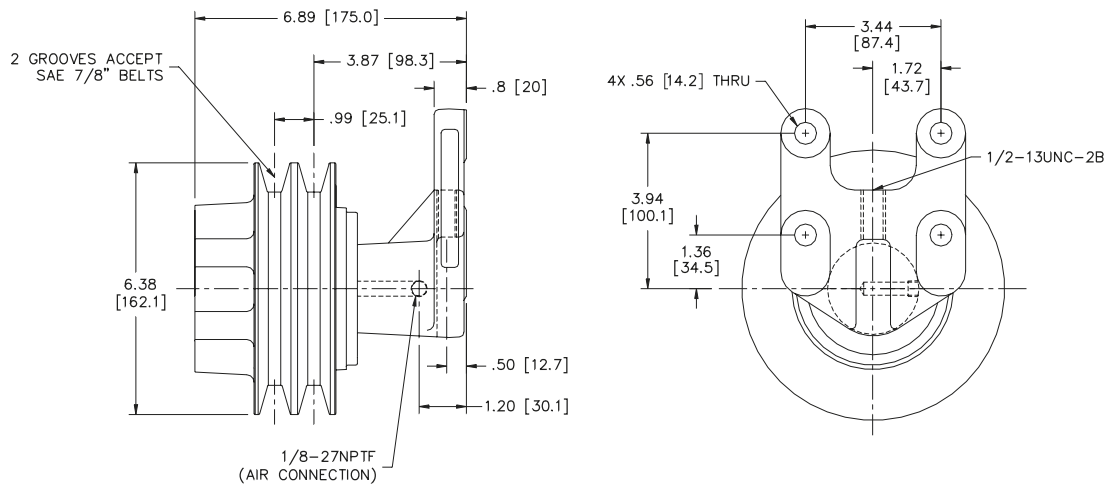
FOR CUMMINS N14 ENGINE  
1077-07867-05

DIMENSIONS IN [mm] ARE IN MILLIMETERS



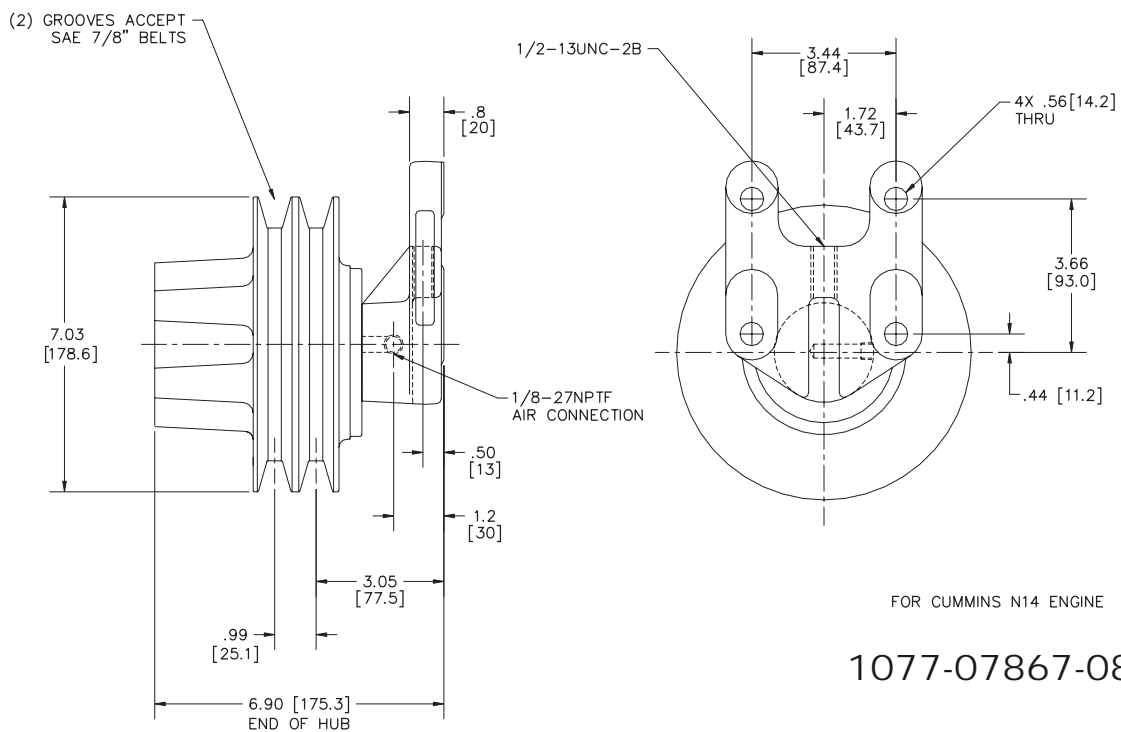
FOR CUMMINS N14 ENGINE  
1077-07867-06

NOTE: DIMENSIONS IN [XX] ARE IN MILLIMETERS



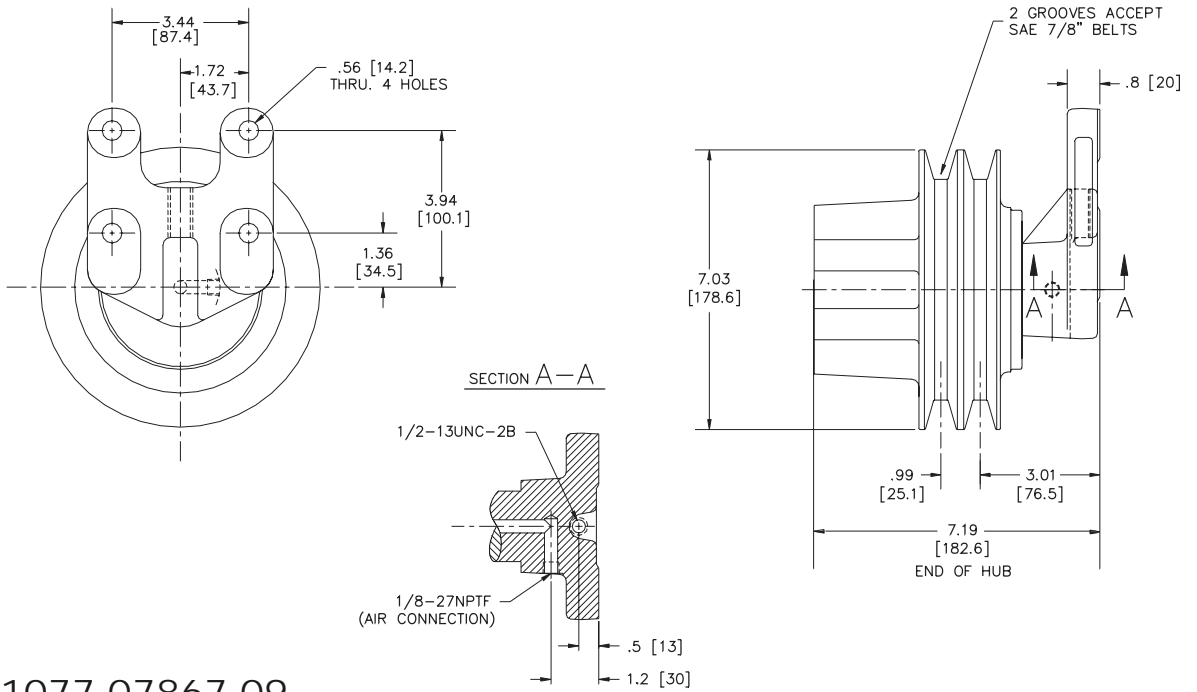
1077-07867-07

NOTE: DIMENSIONS IN [XX] ARE IN MILLIMETERS.

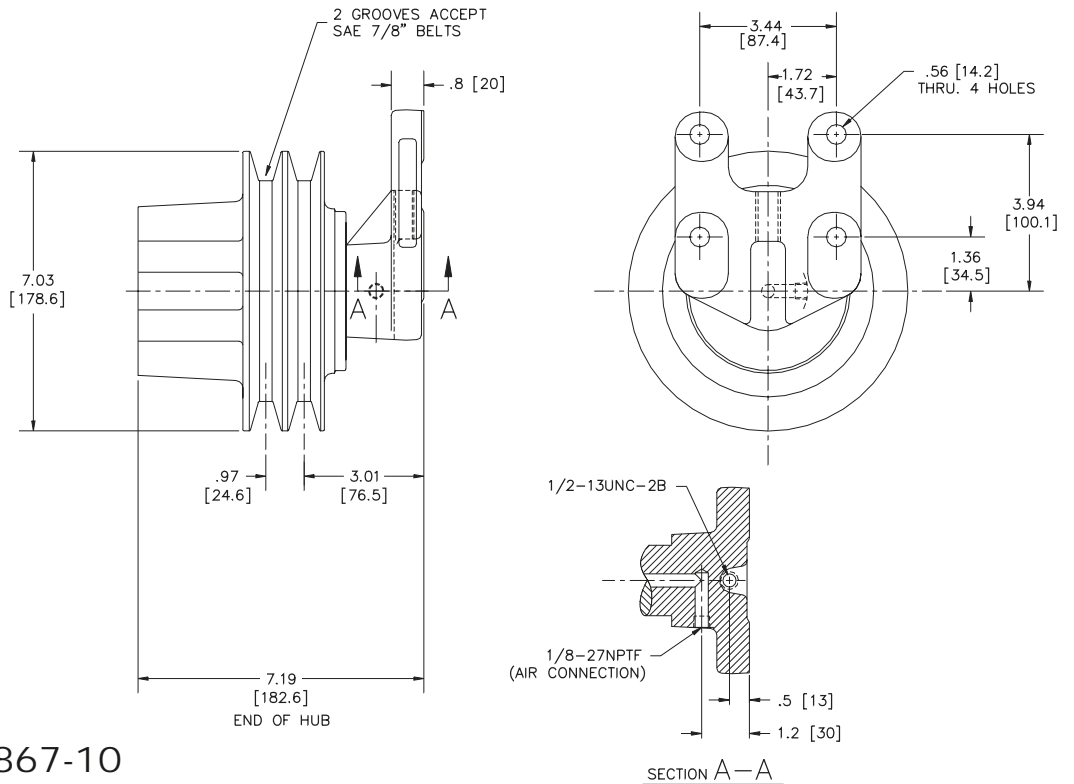


1077-07867-08

NOTE: DIMENSIONS IN [XX] ARE IN MILLIMETERS

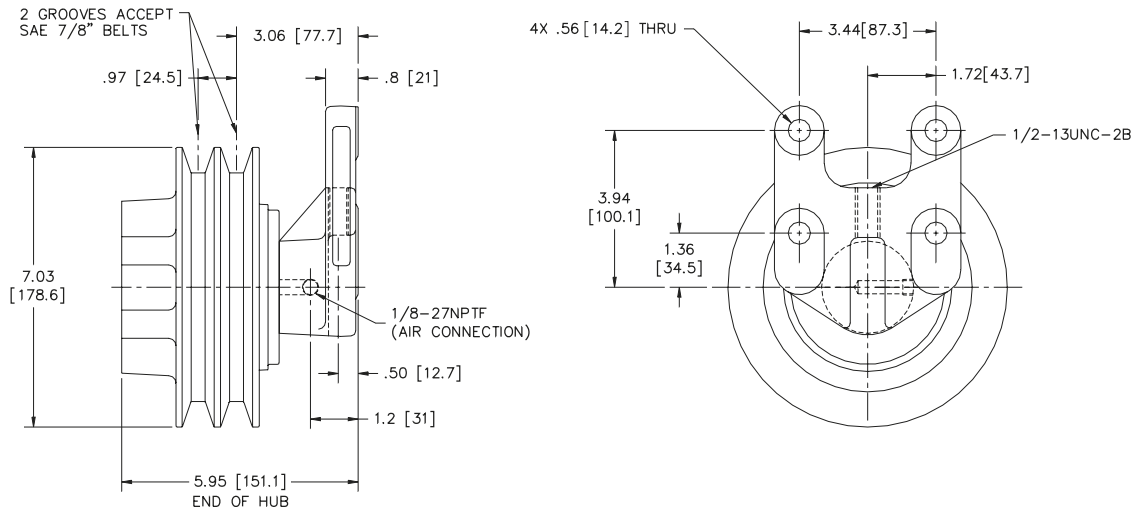


1077-07867-09



1077-07867-10

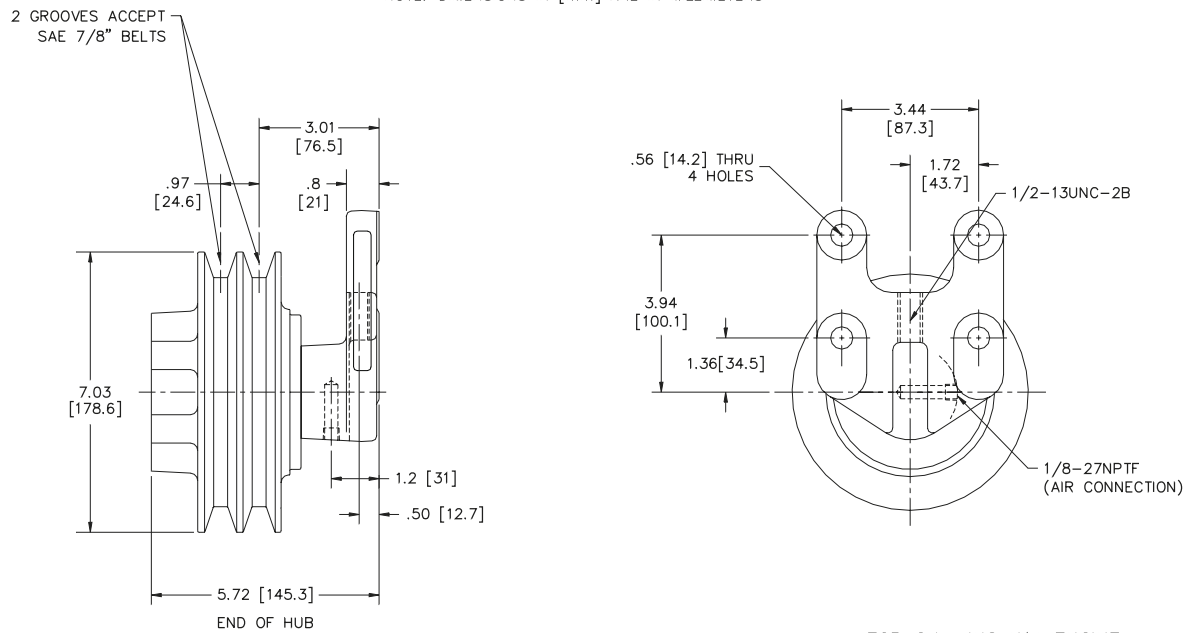
NOTE: DIMENSIONS IN [xx] ARE IN MILLIMETERS



FOR CUMMINS N14 ENGINE

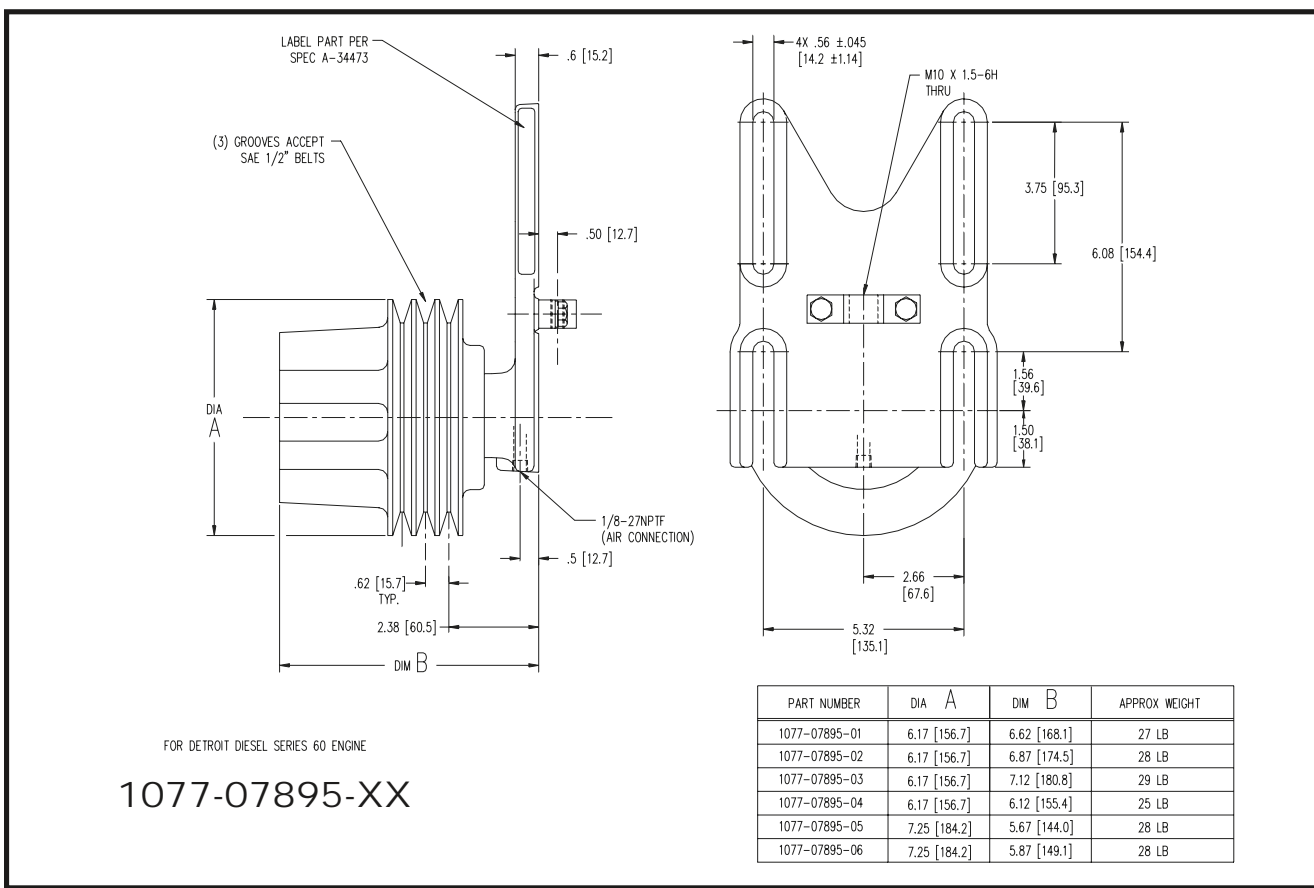
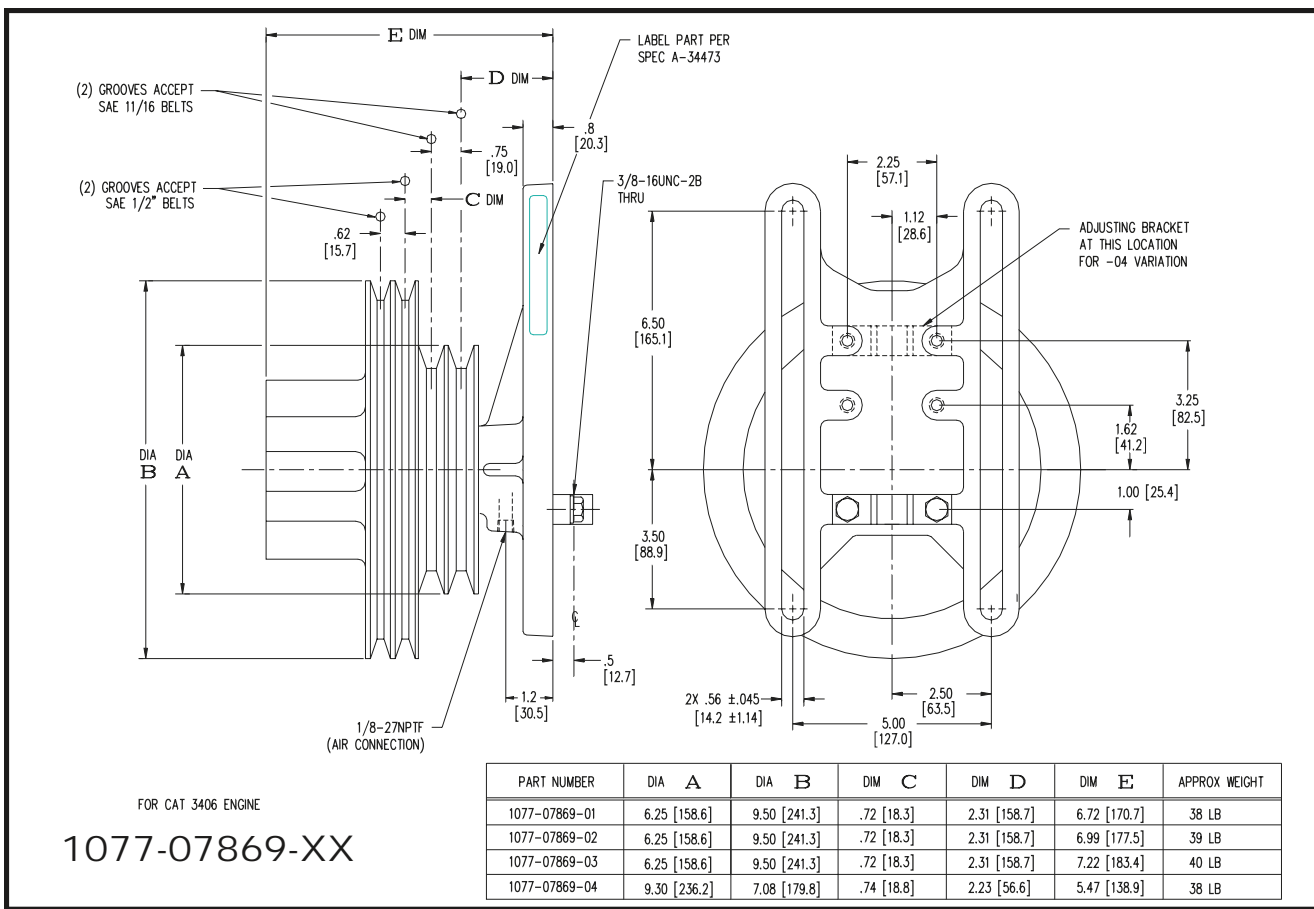
1077-07867-11

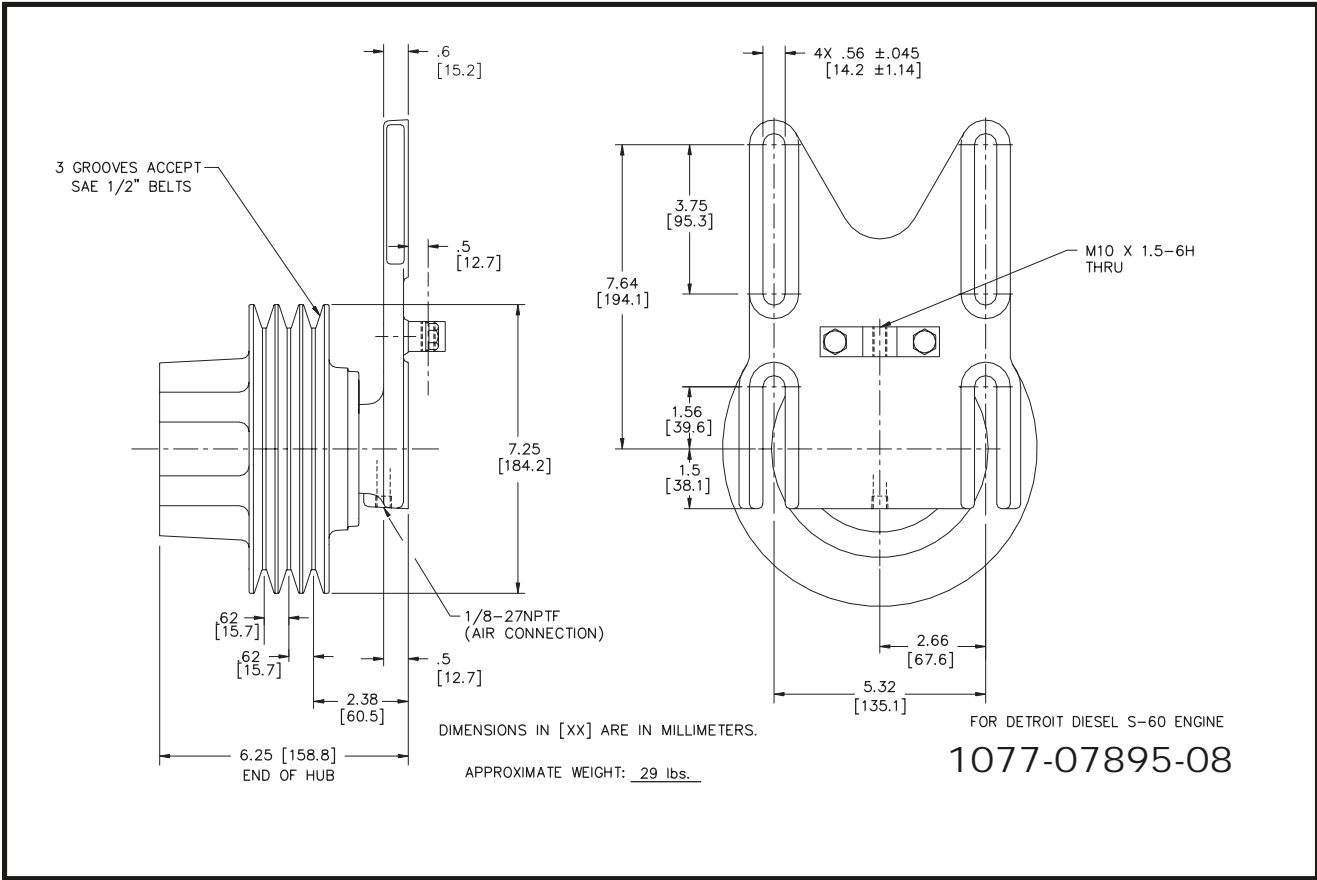
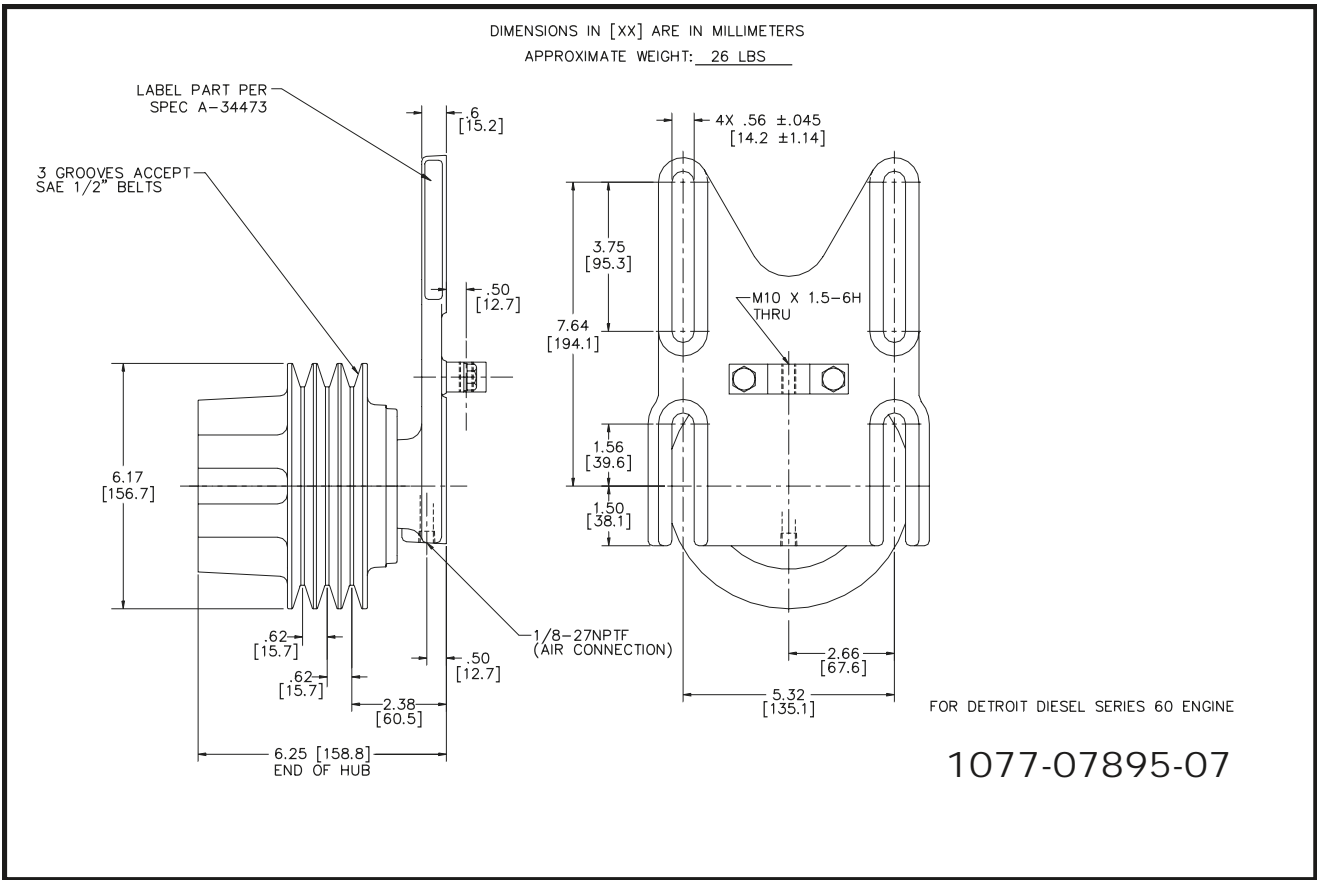
NOTE: DIMENSIONS IN [mm] ARE IN MILLIMETERS

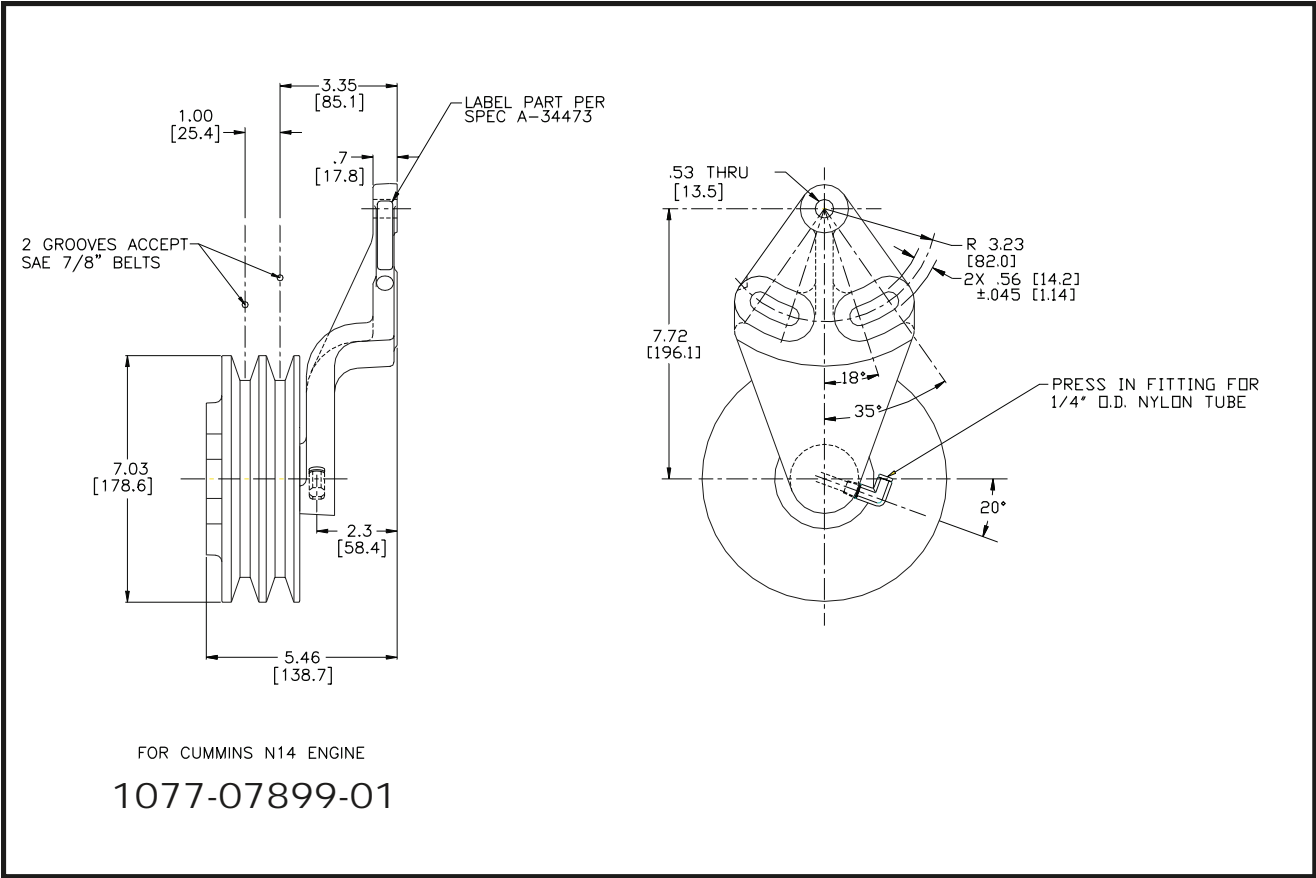
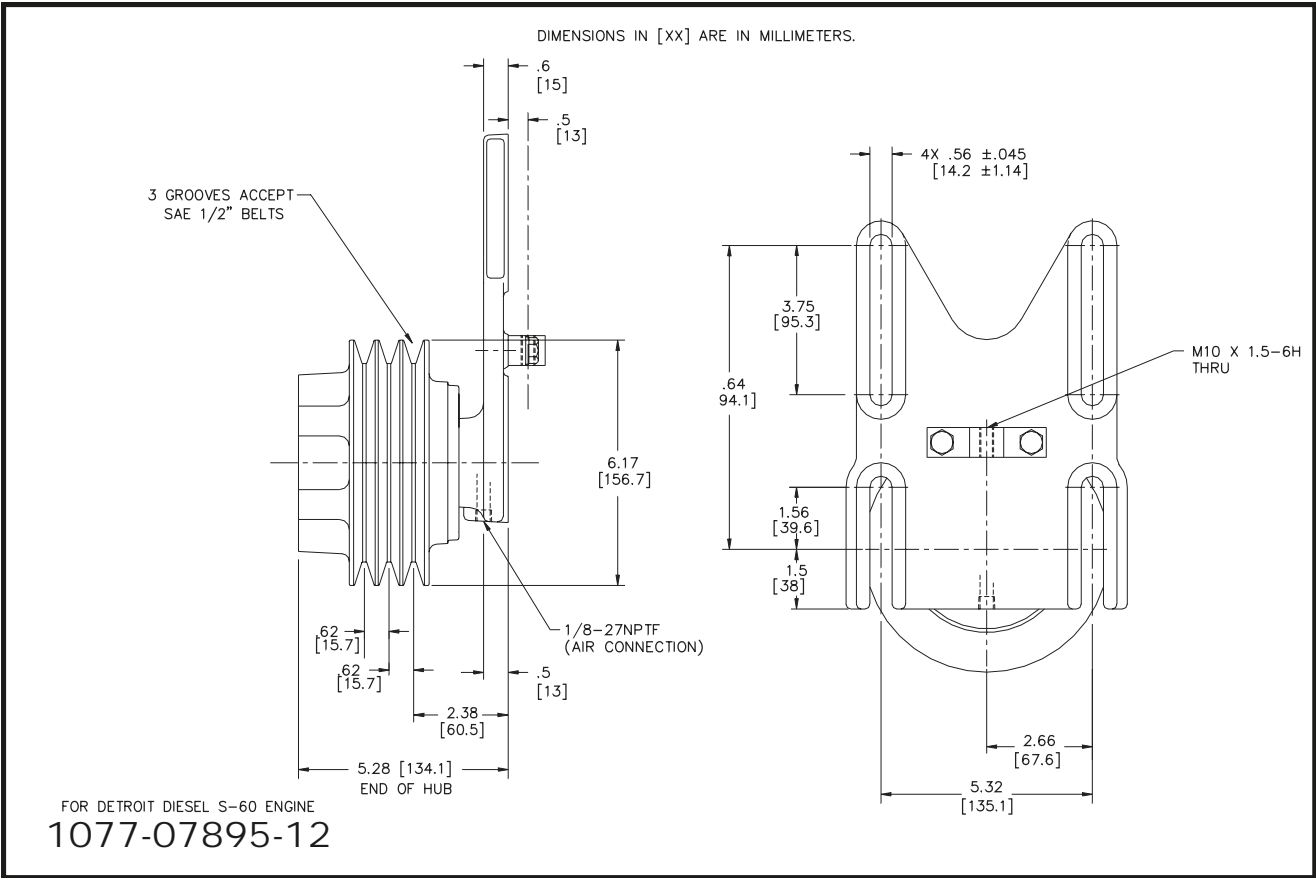


FOR CUMMINS N14 ENGINE

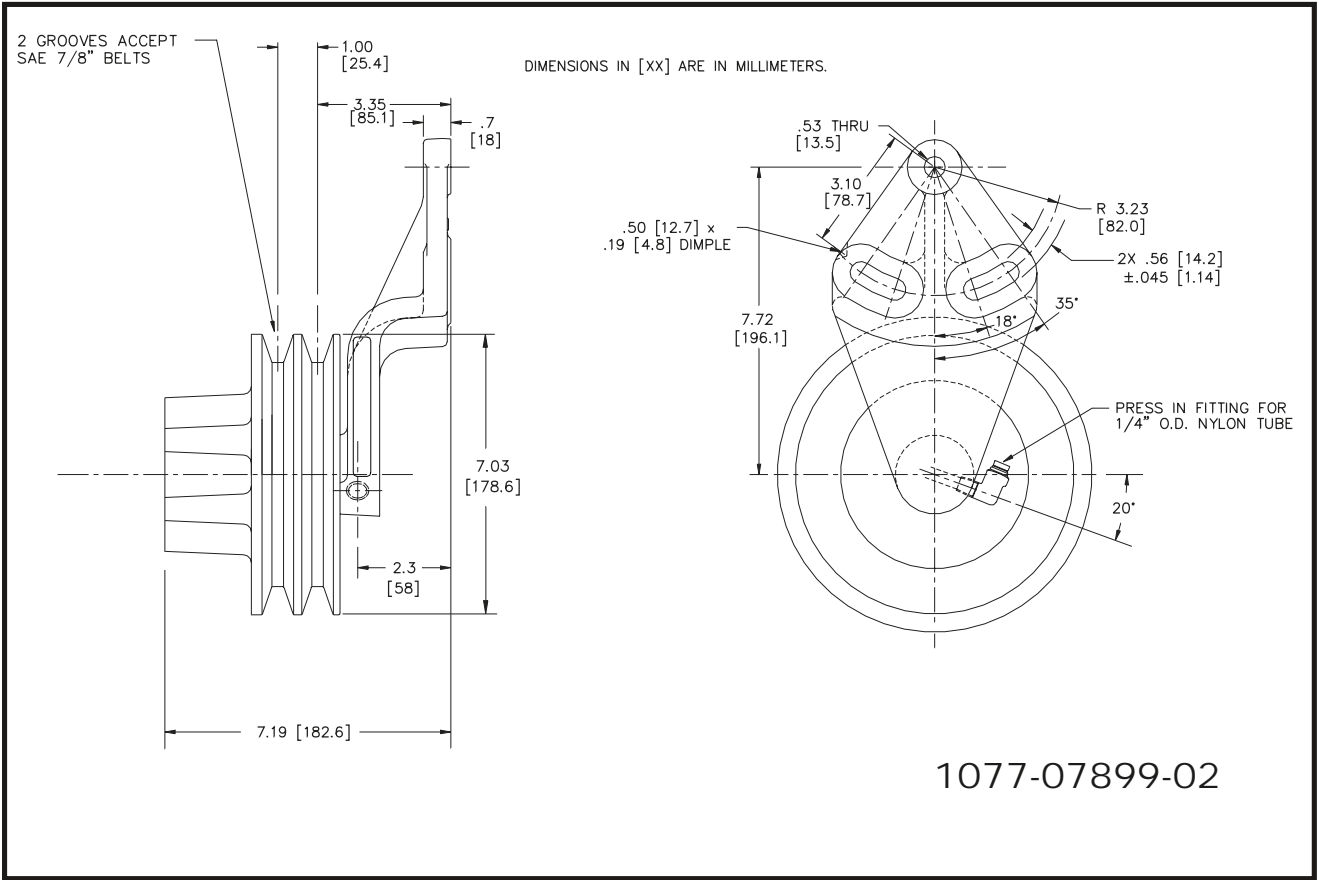
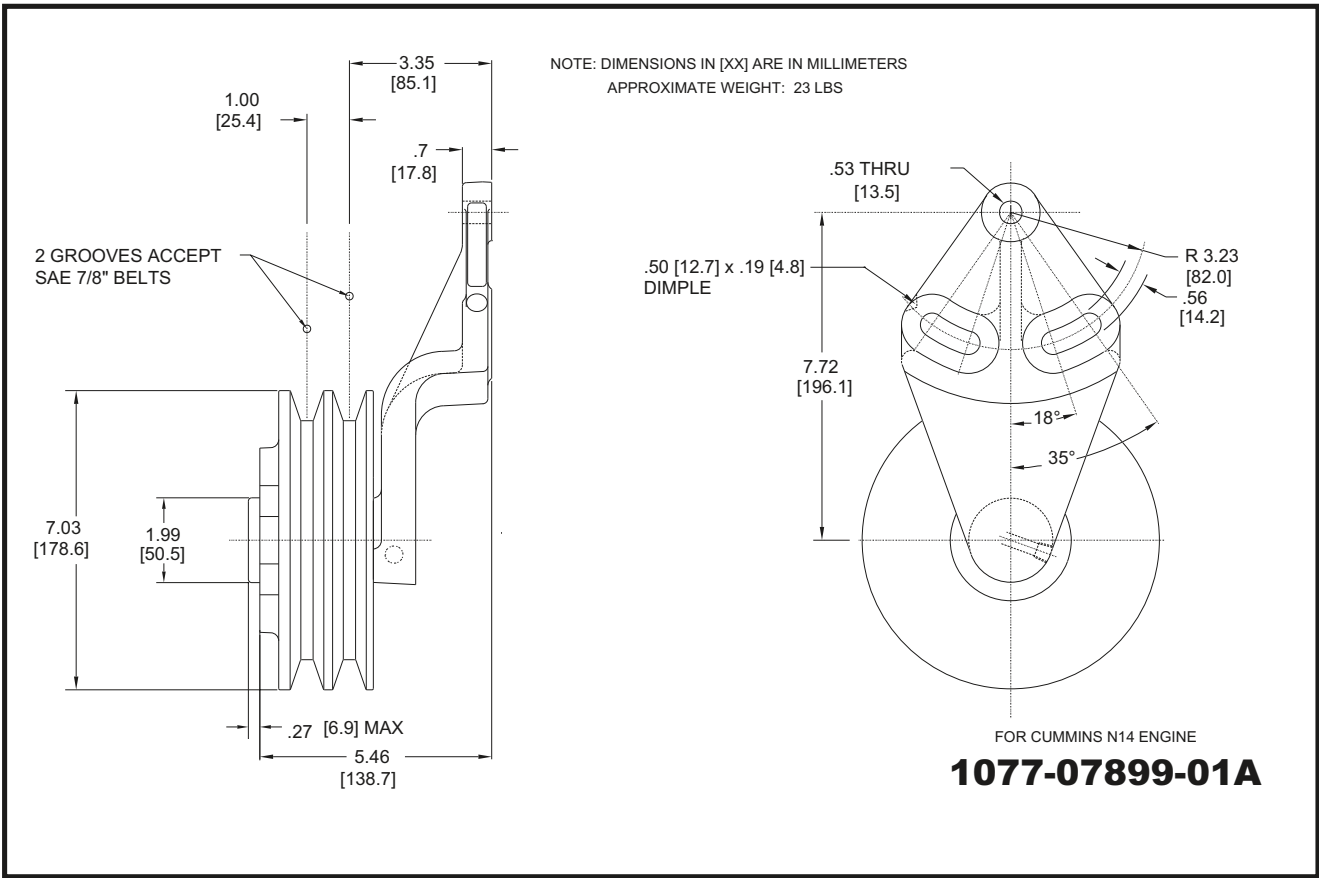
1077-07867-12

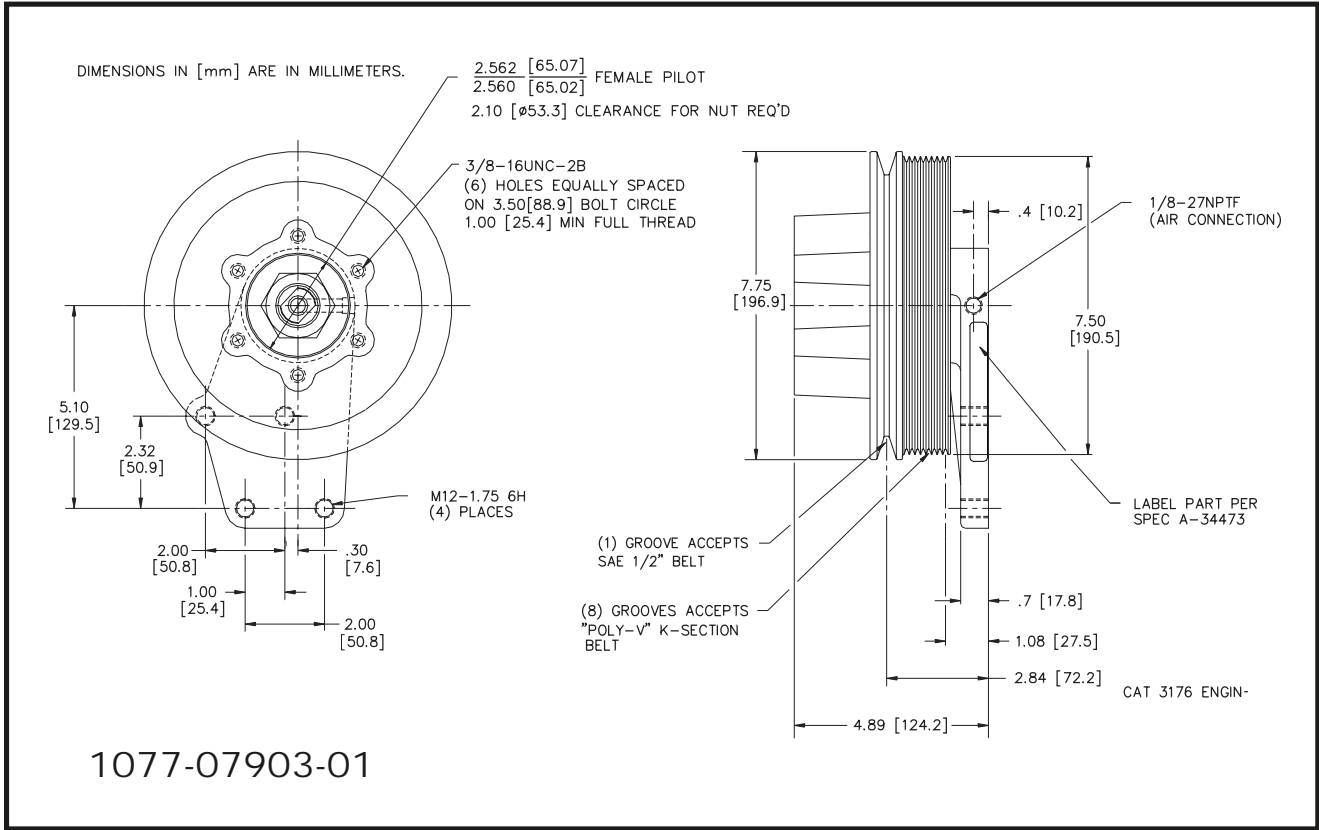
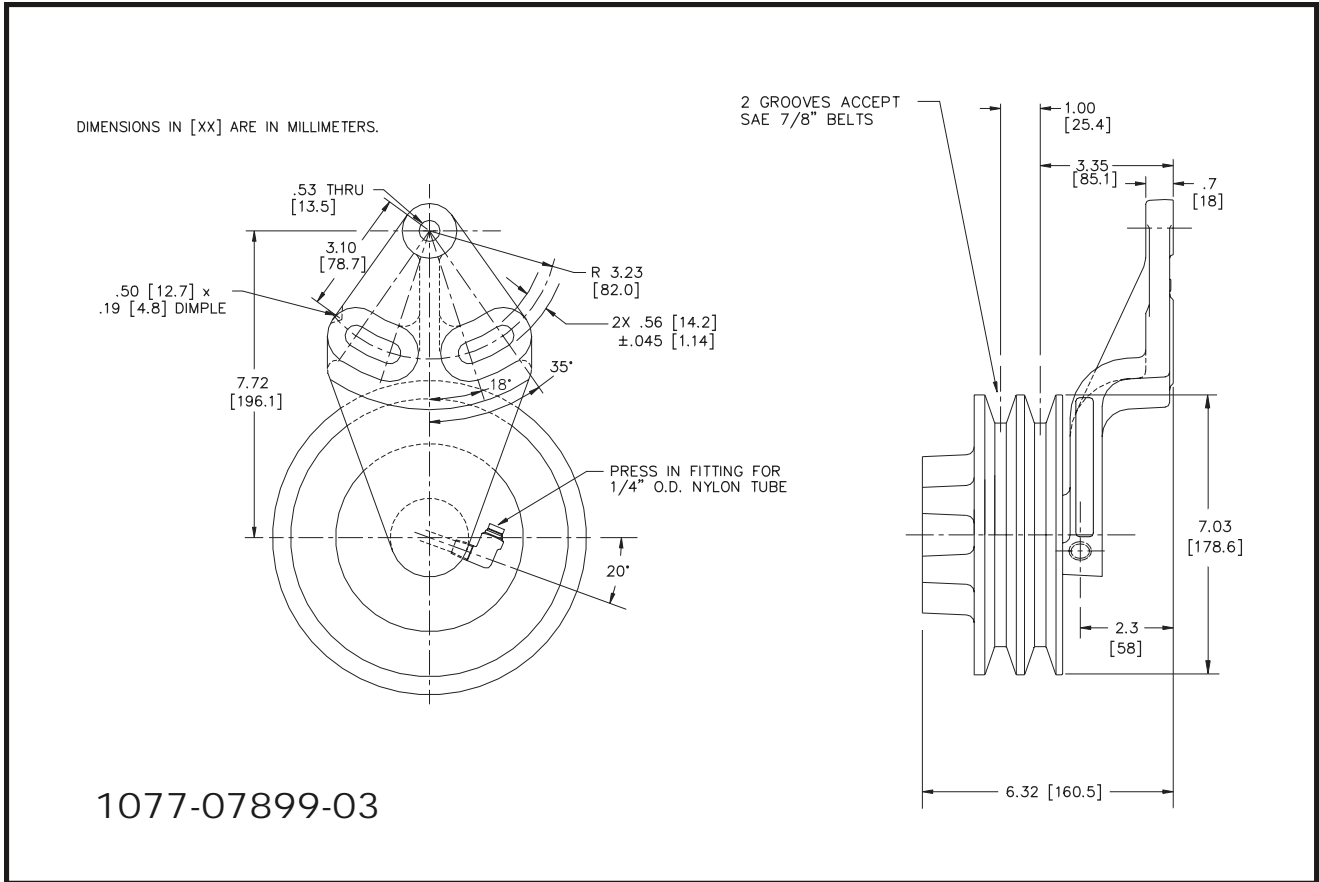


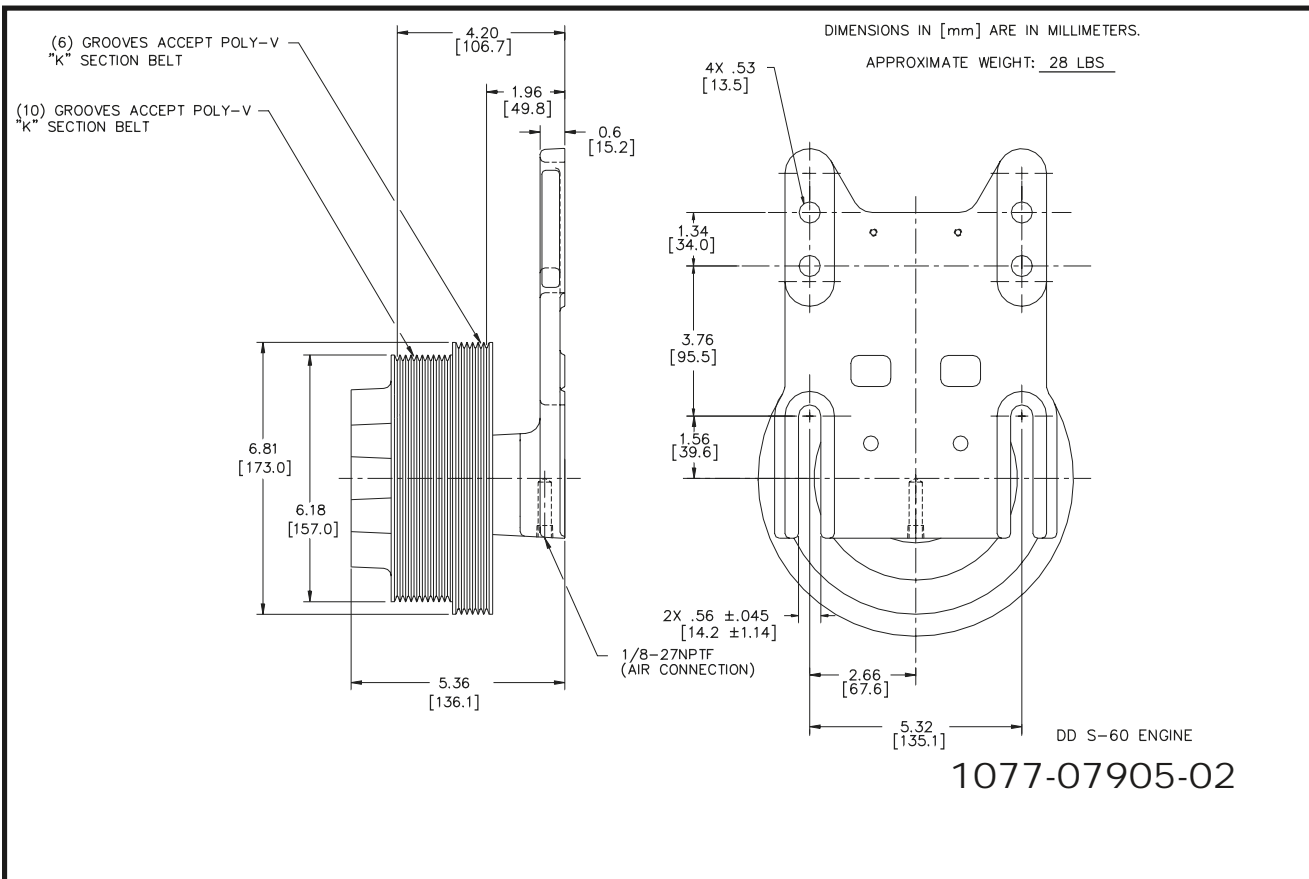
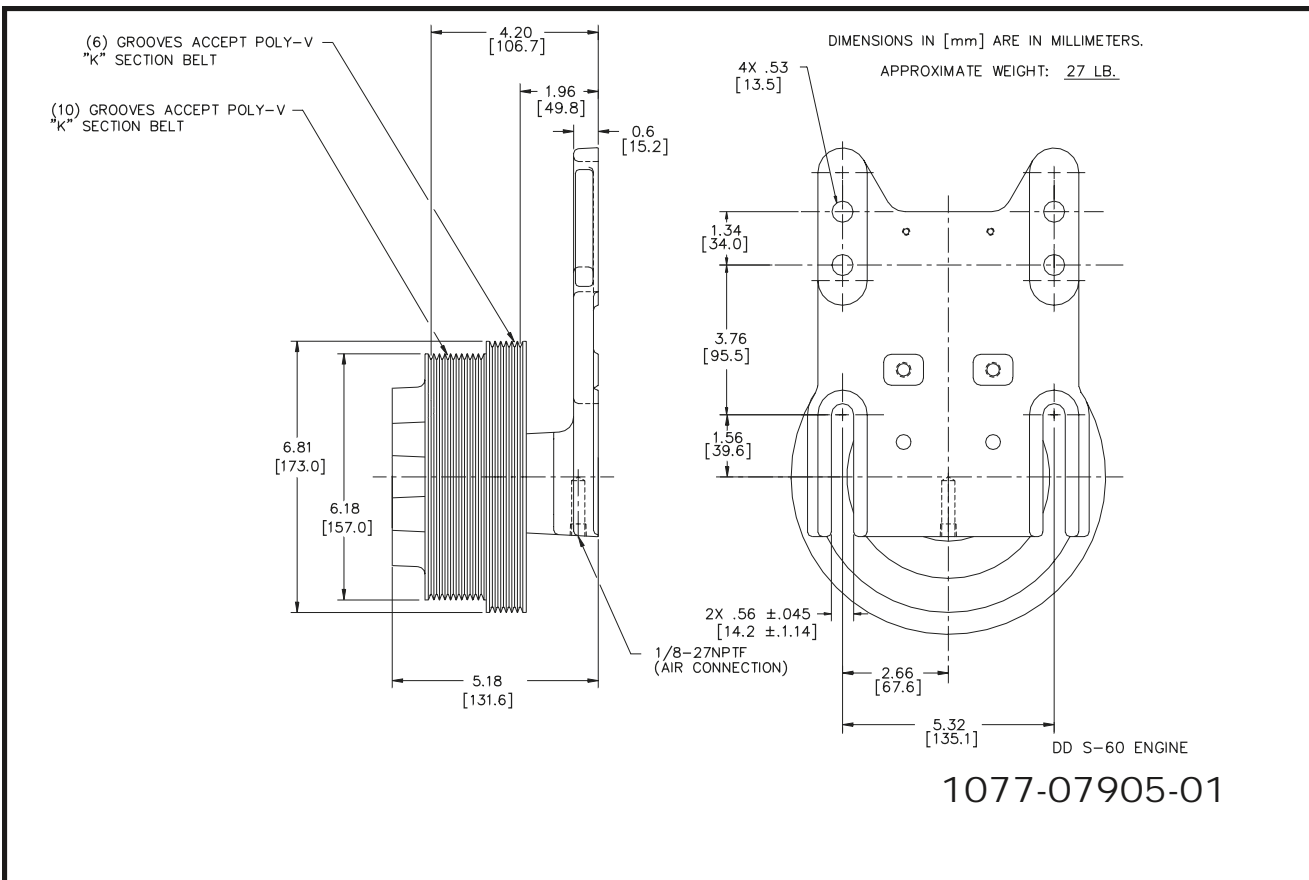


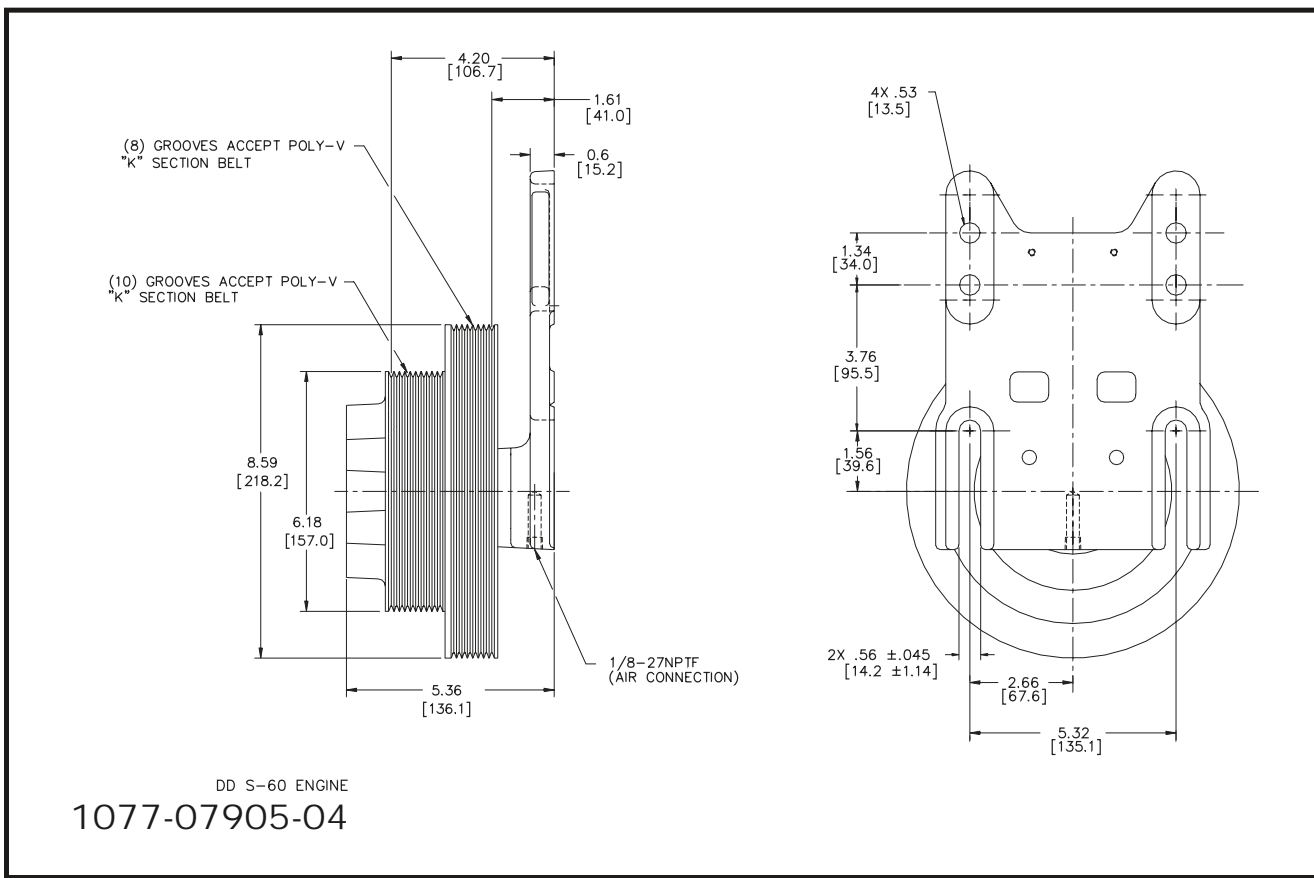
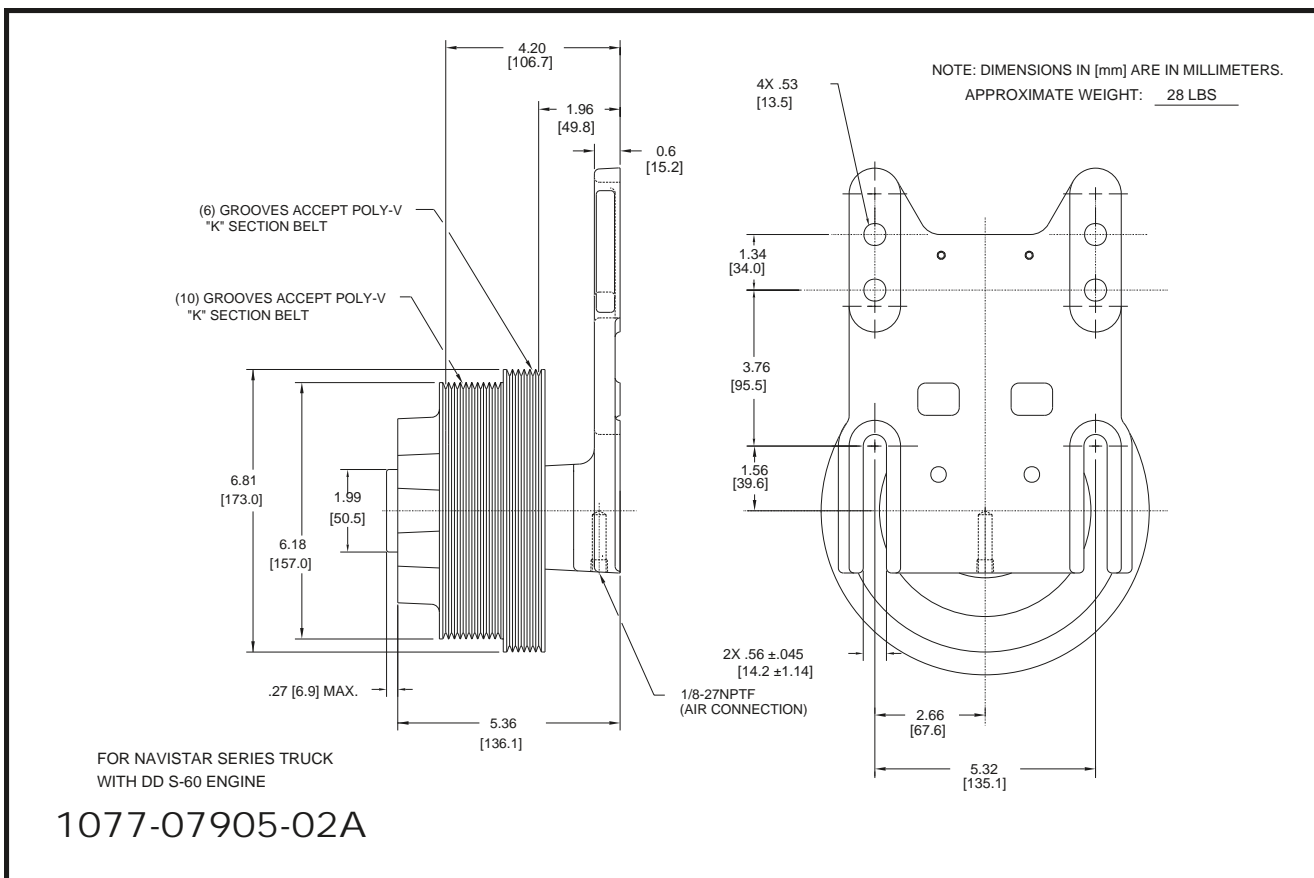


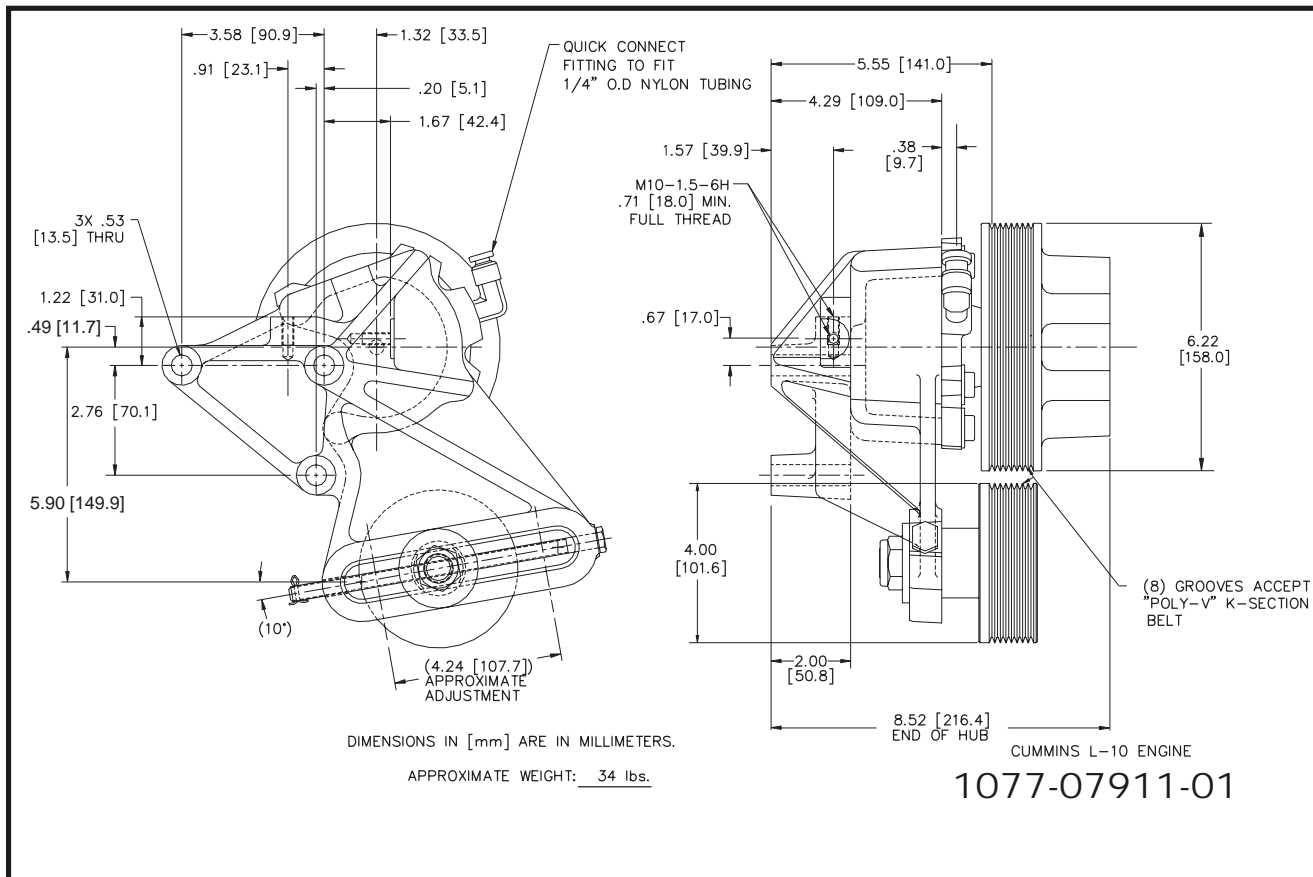
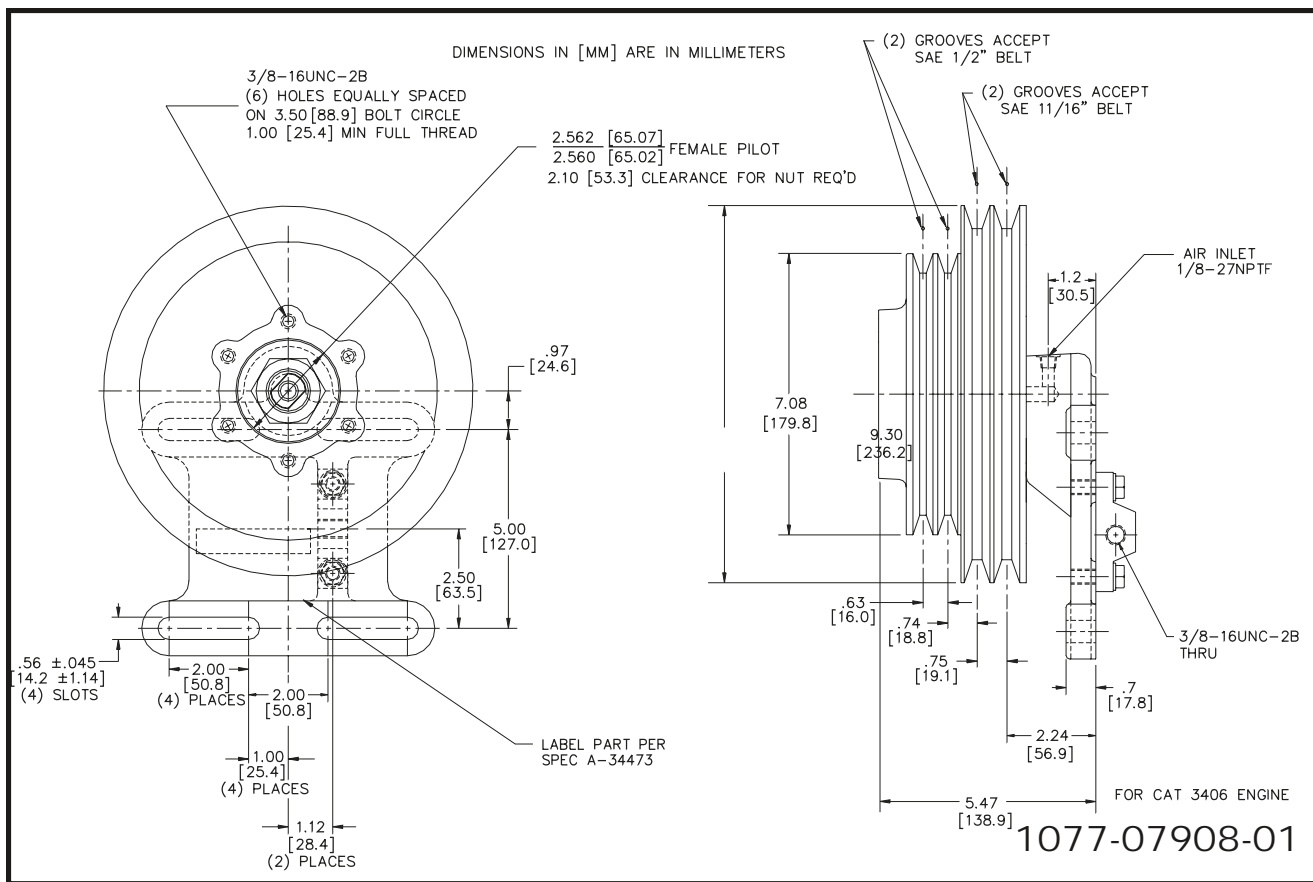


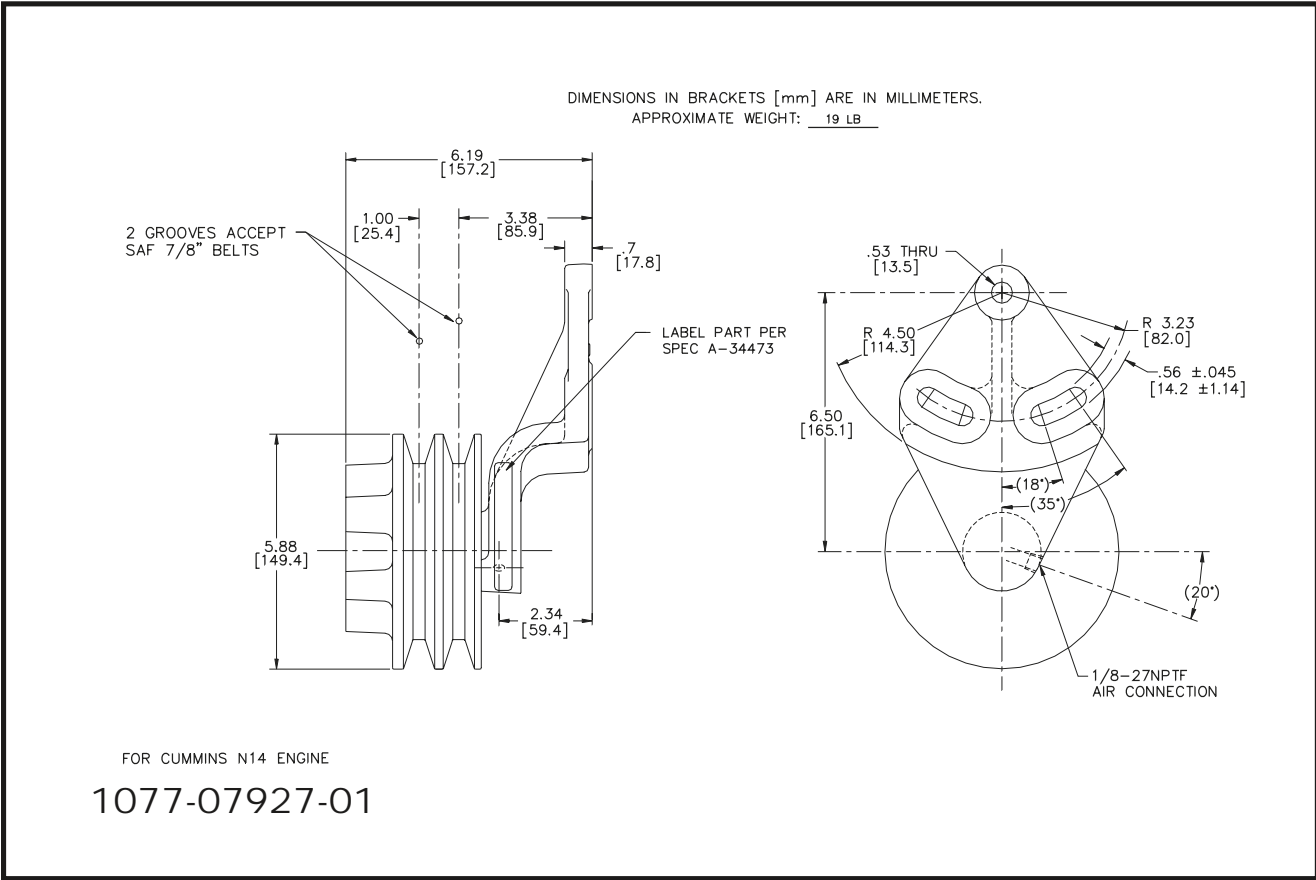
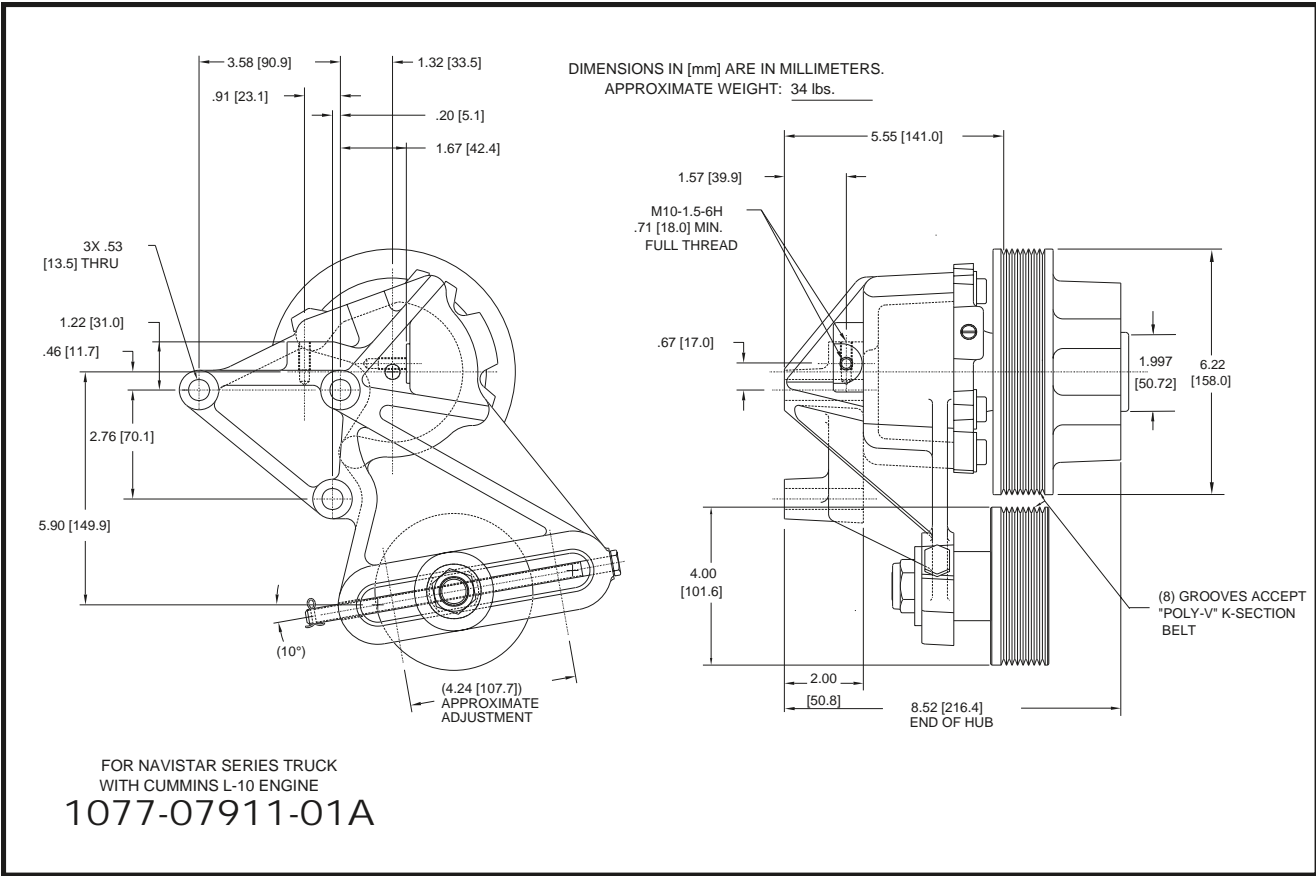


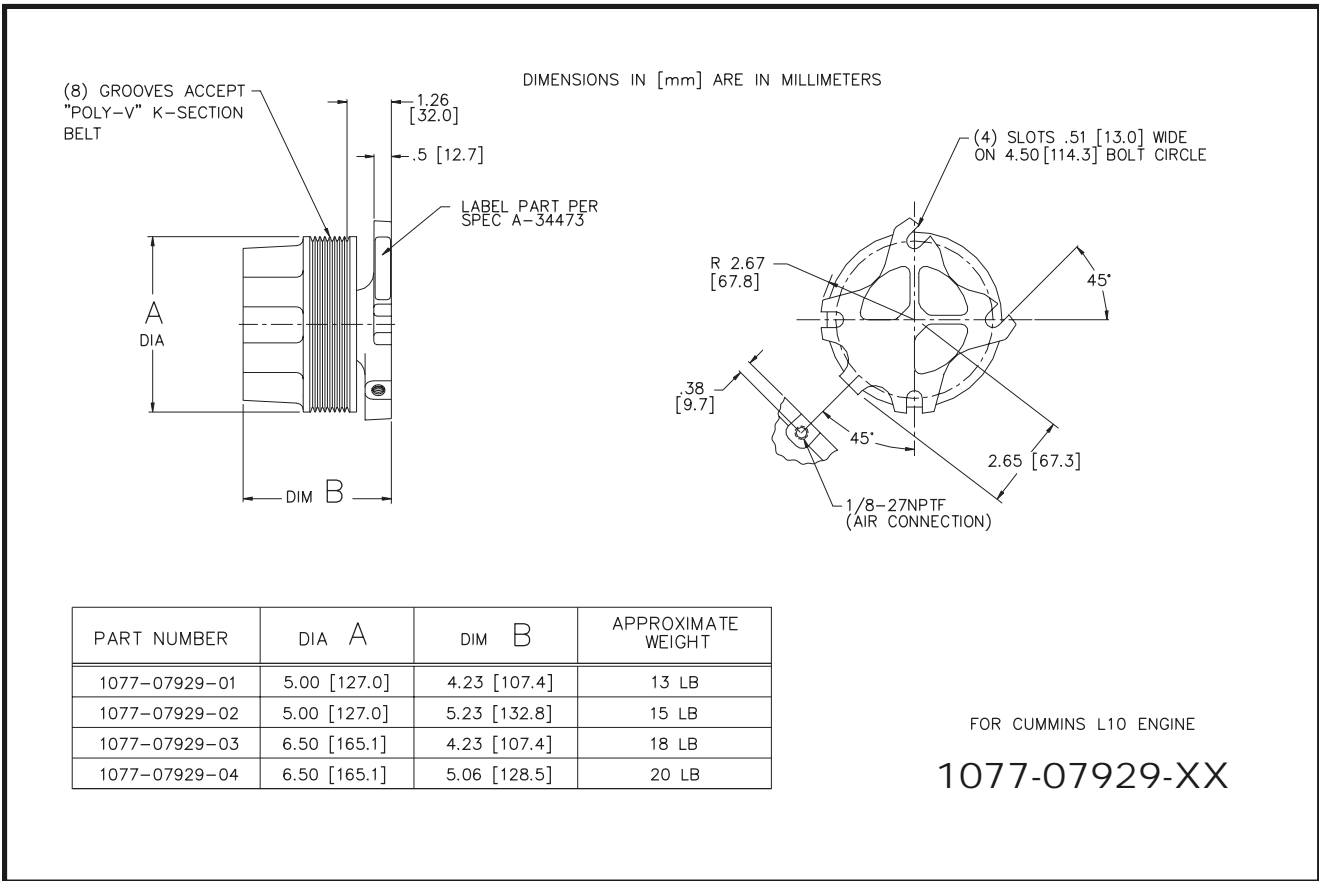
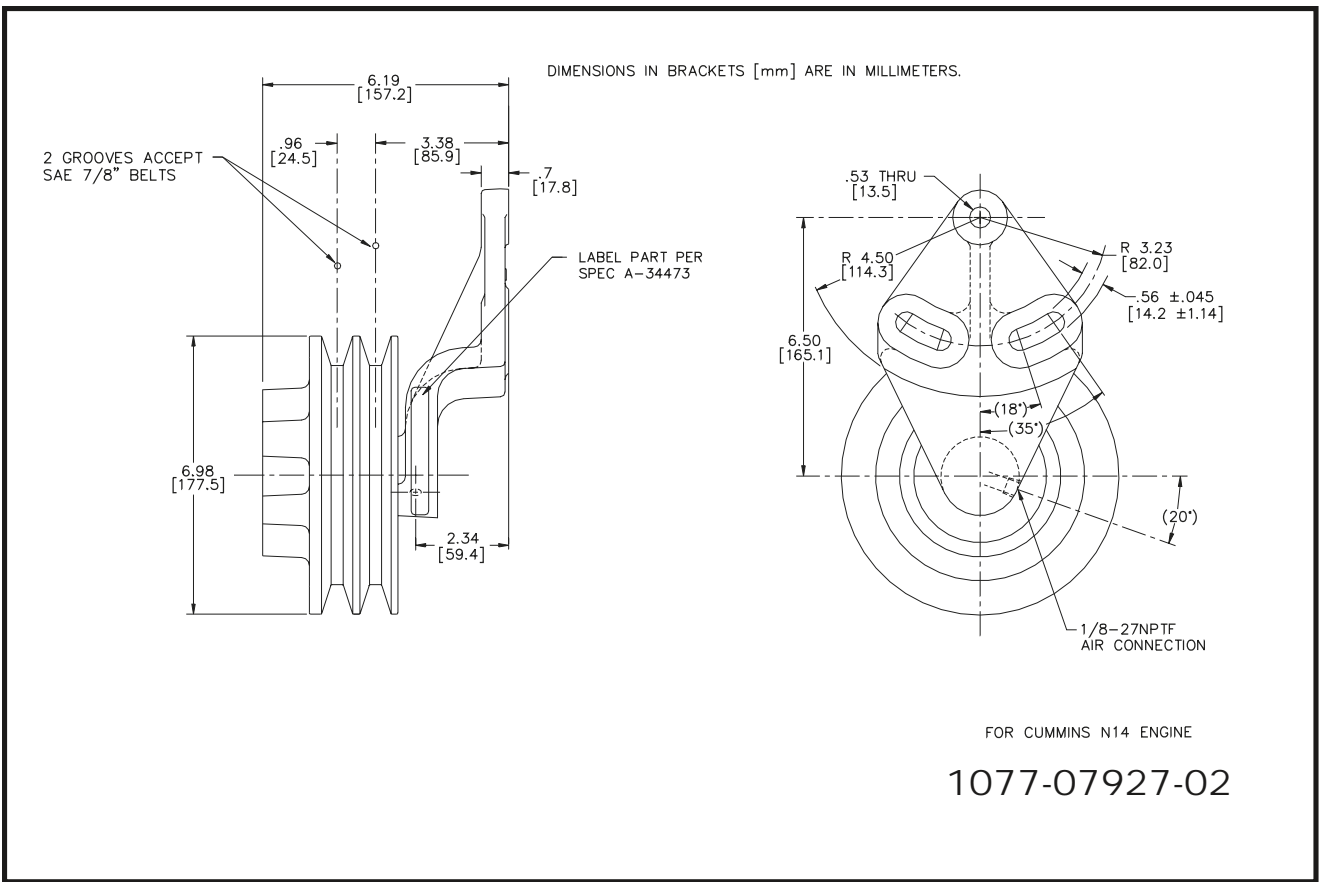






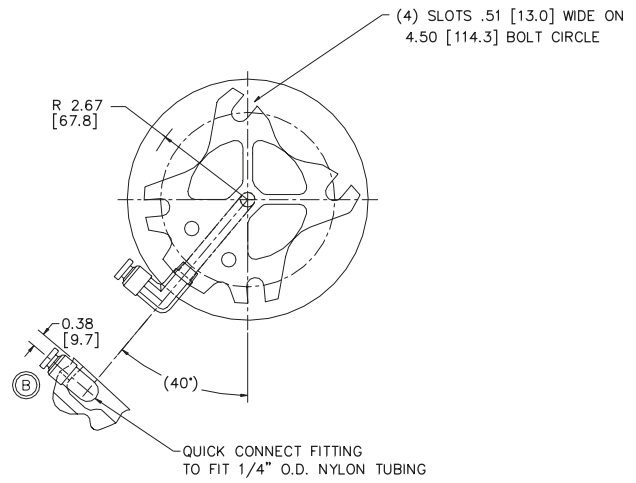
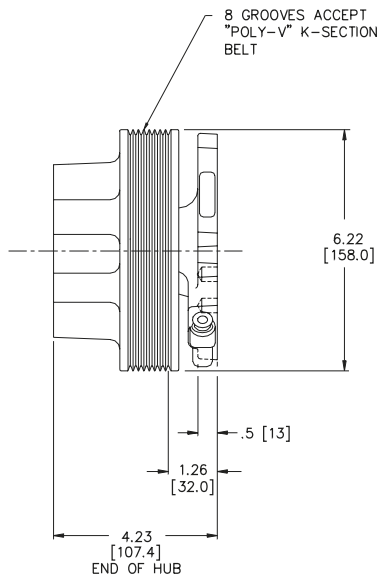






DIMENSIONS IN [XX] ARE IN MILLIMETERS.

APPROXIMATE WEIGHT: 14 lbs.

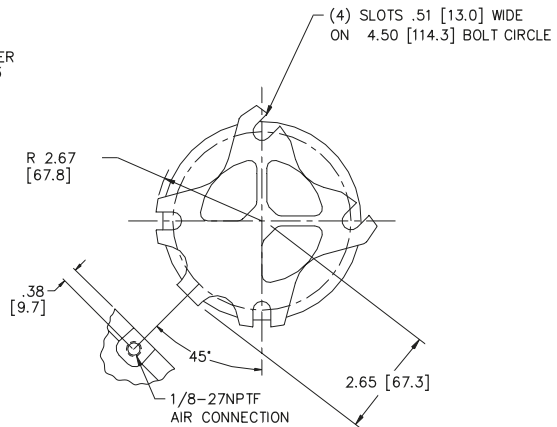
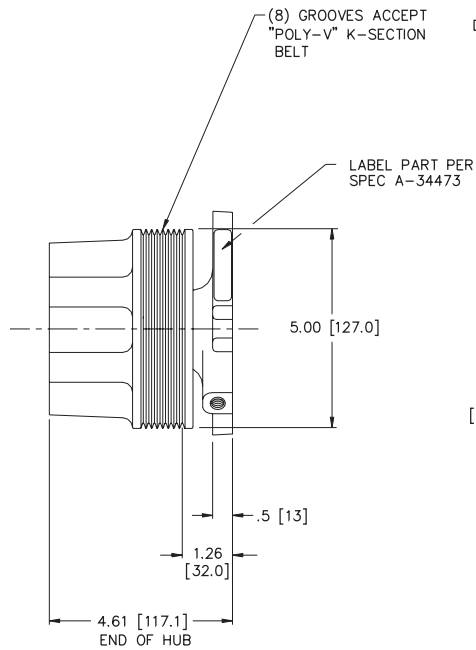


FOR CUMMINS L10 ENGINE

1077-07929-05

DIMENSIONS IN [XX] ARE IN MILLIMETERS.

APPROXIMATE WEIGHT: 13 LBS



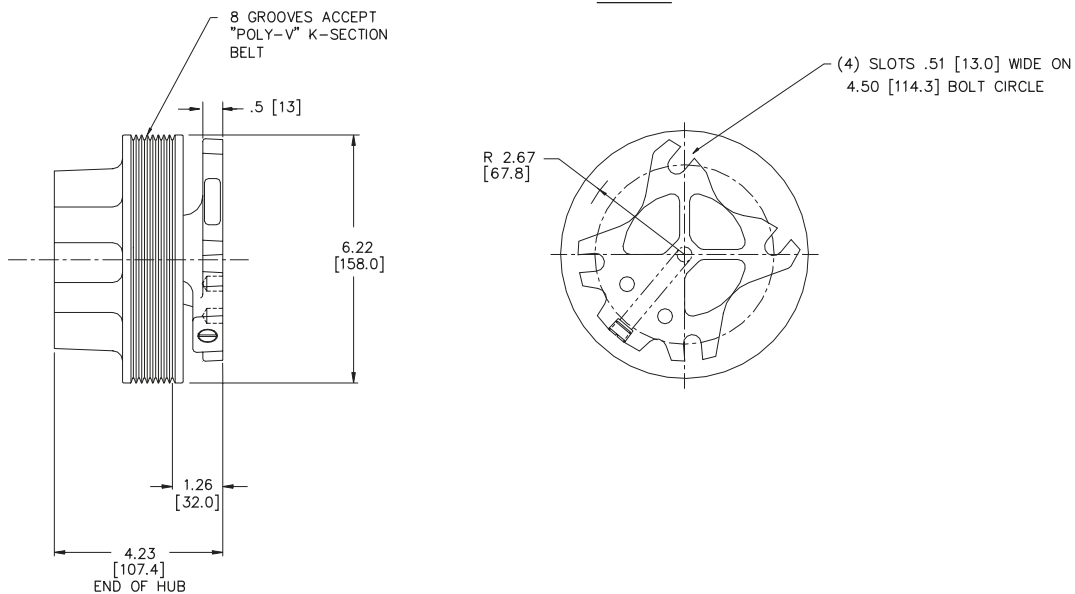
FOR CUMMINS M-11 ENGINE

1077-07929-06



DIMENSIONS IN [XX] ARE IN MILLIMETERS.

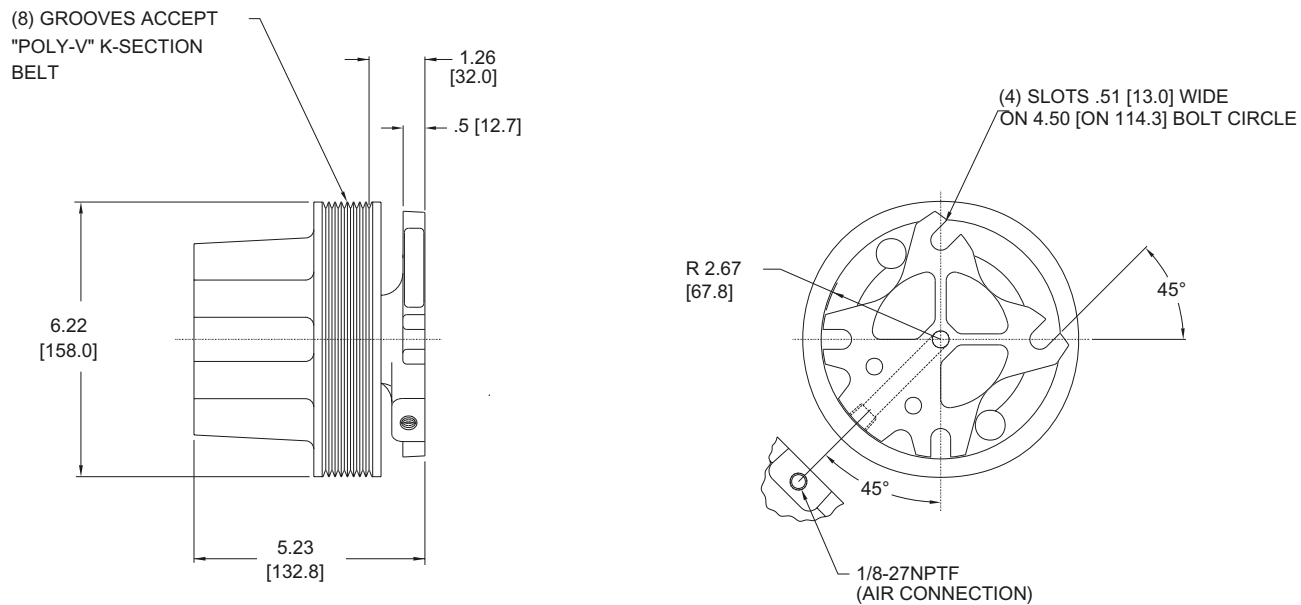
APPROXIMATE WEIGHT: 14 lbs



FOR CUMMINS L10 ENGINE

1077-07929-07

NOTE: DIMENSIONS IN [mm] ARE IN MILLIMETERS

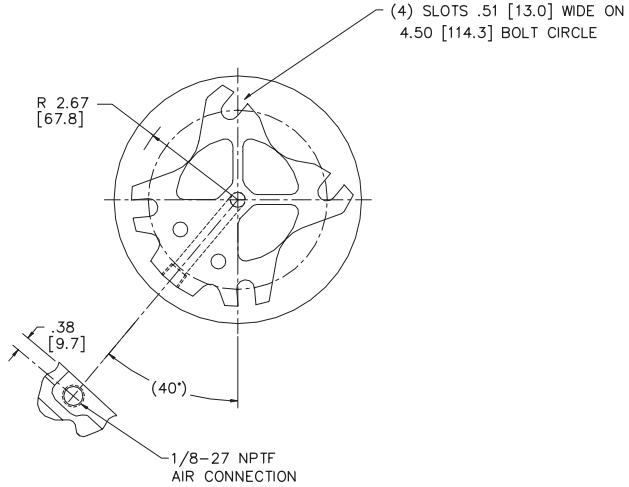
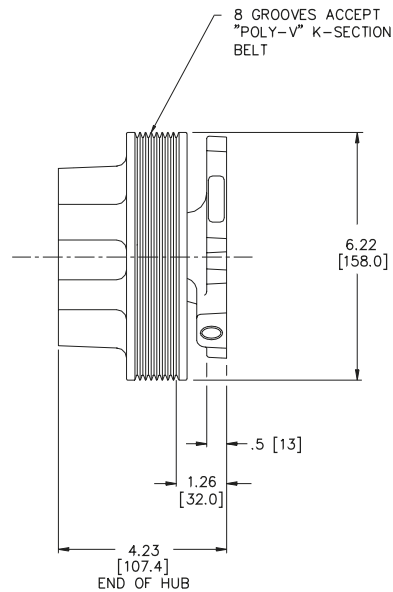


FOR CUMMINS M11 ENGINE

1077-07929-07A

DIMENSIONS IN [XX] ARE IN MILLIMETERS.

APPROXIMATE WEIGHT: 14 lbs.

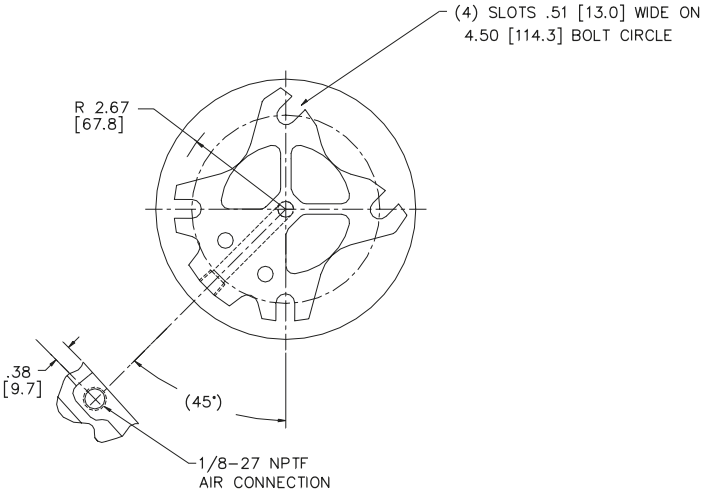
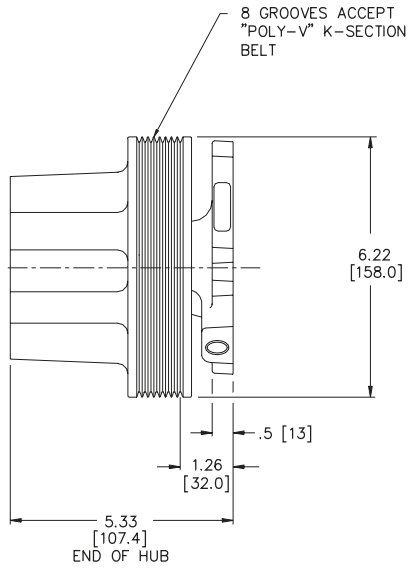


FOR CUMMINS L10 ENGINE

1077-07929-08

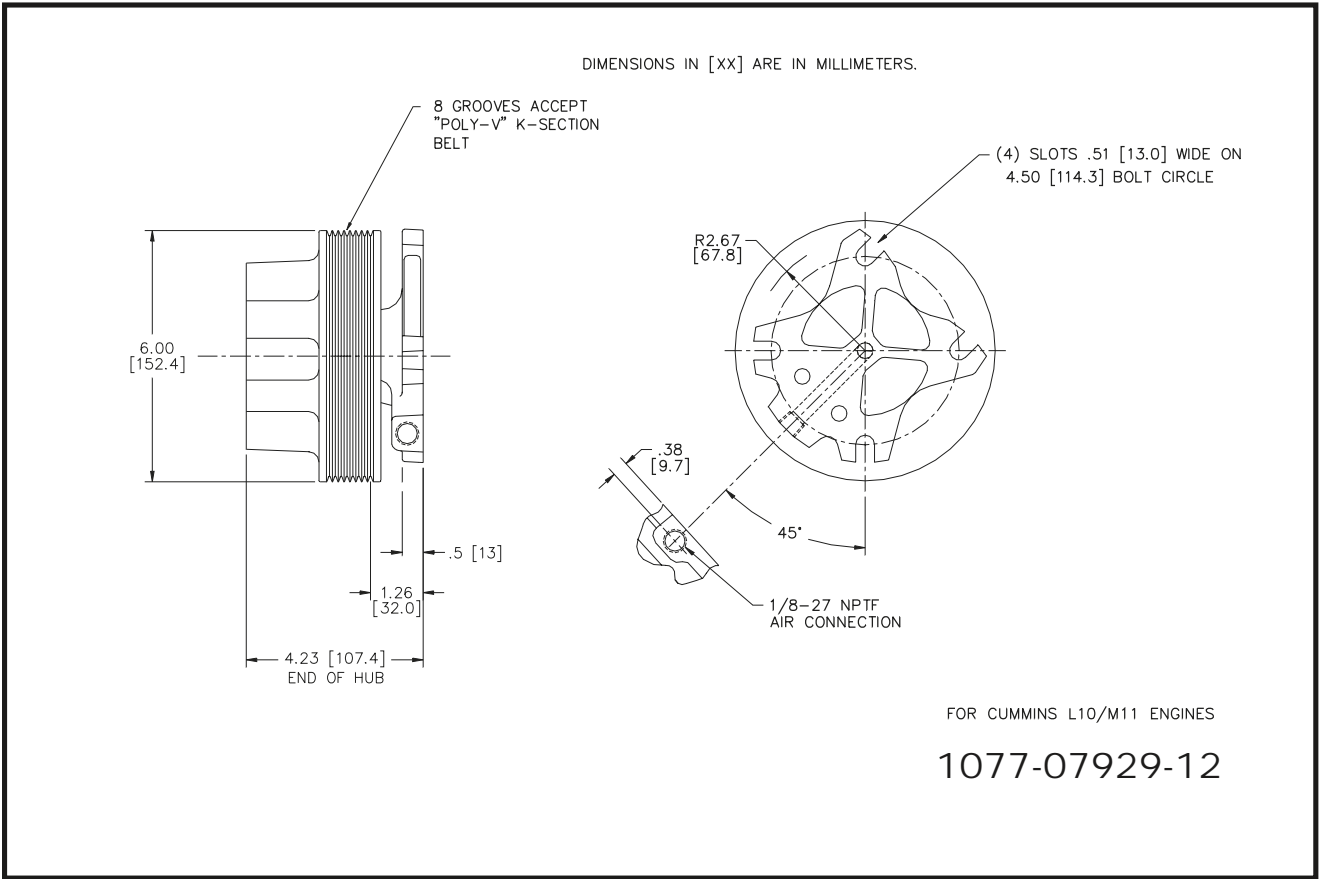
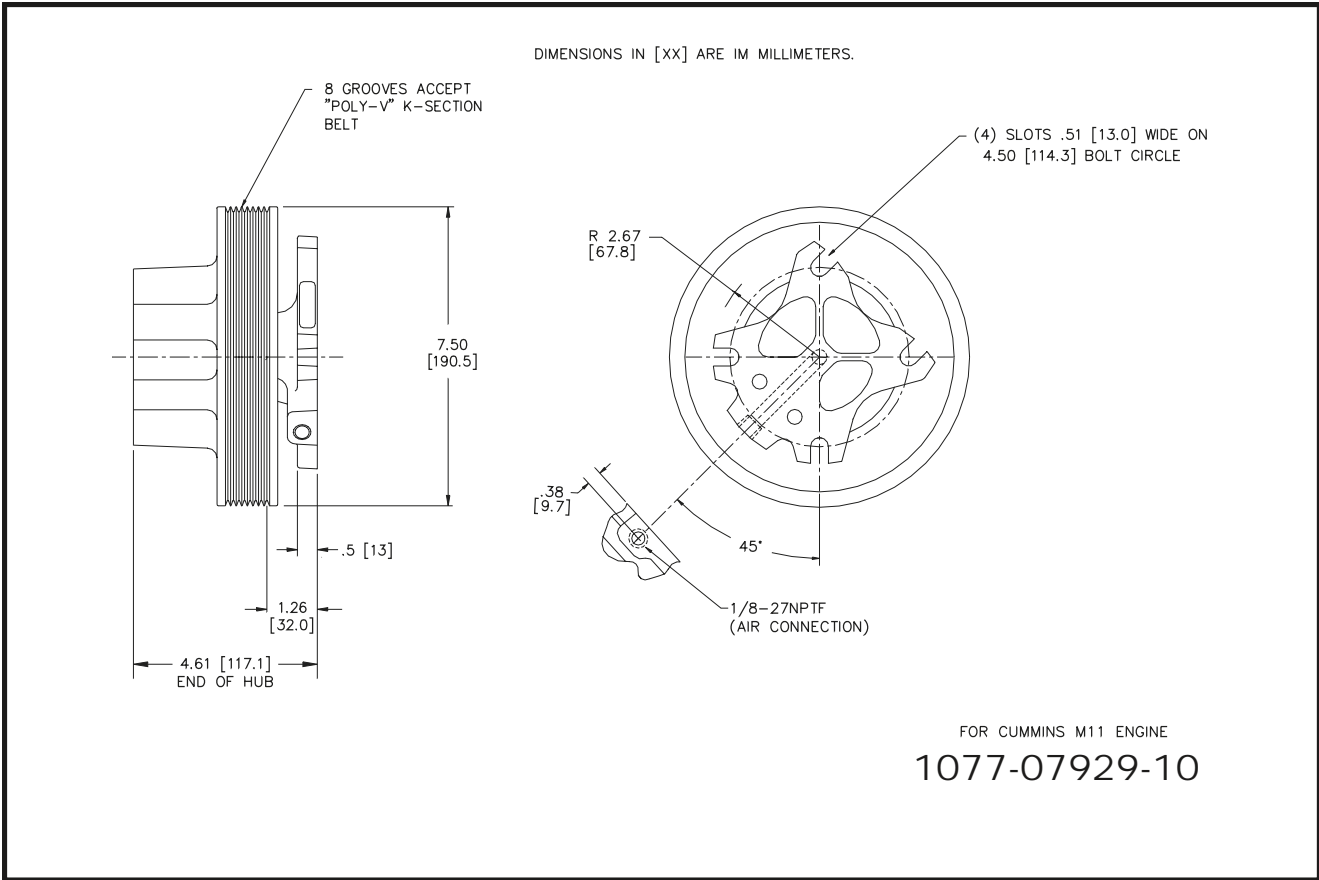
DIMENSIONS IN [XX] ARE IN MILLIMETERS.

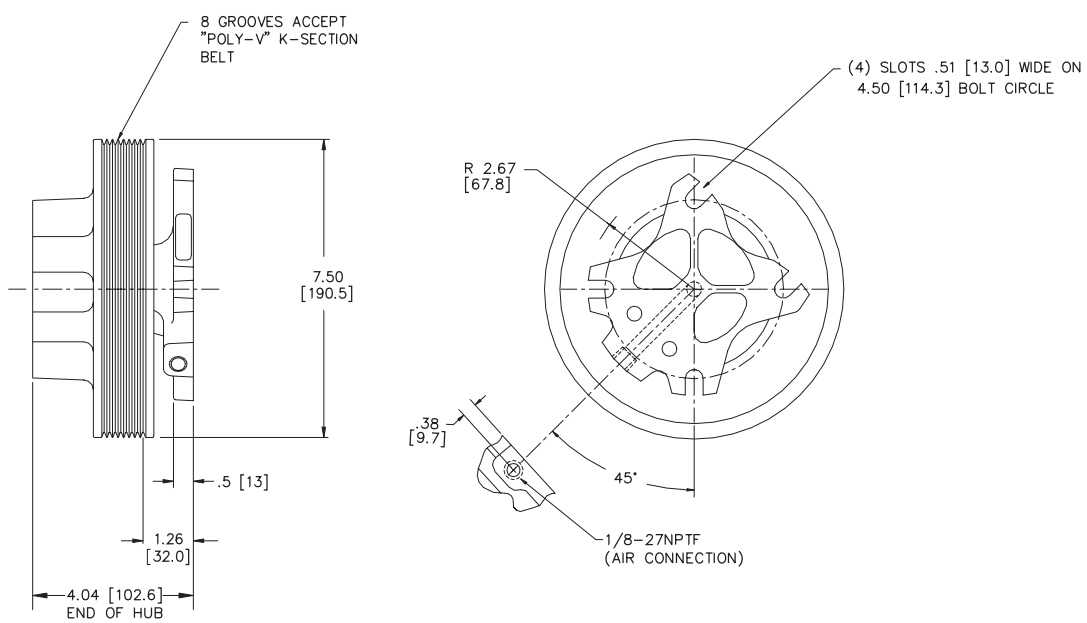
APPROXIMATE WEIGHT: 14 lbs.



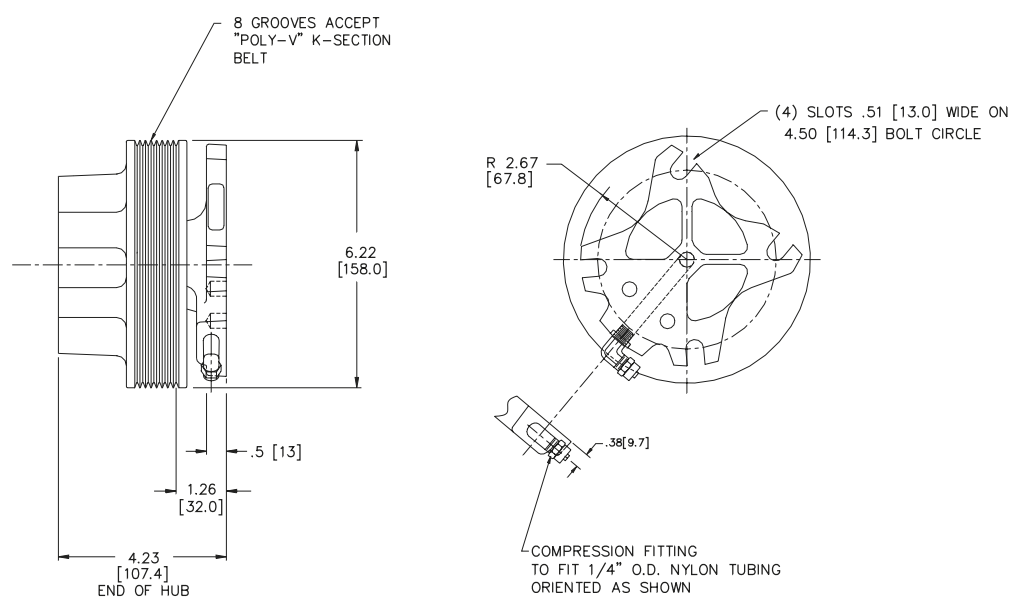
FOR CUMMINS L10 ENGINE

1077-07929-09



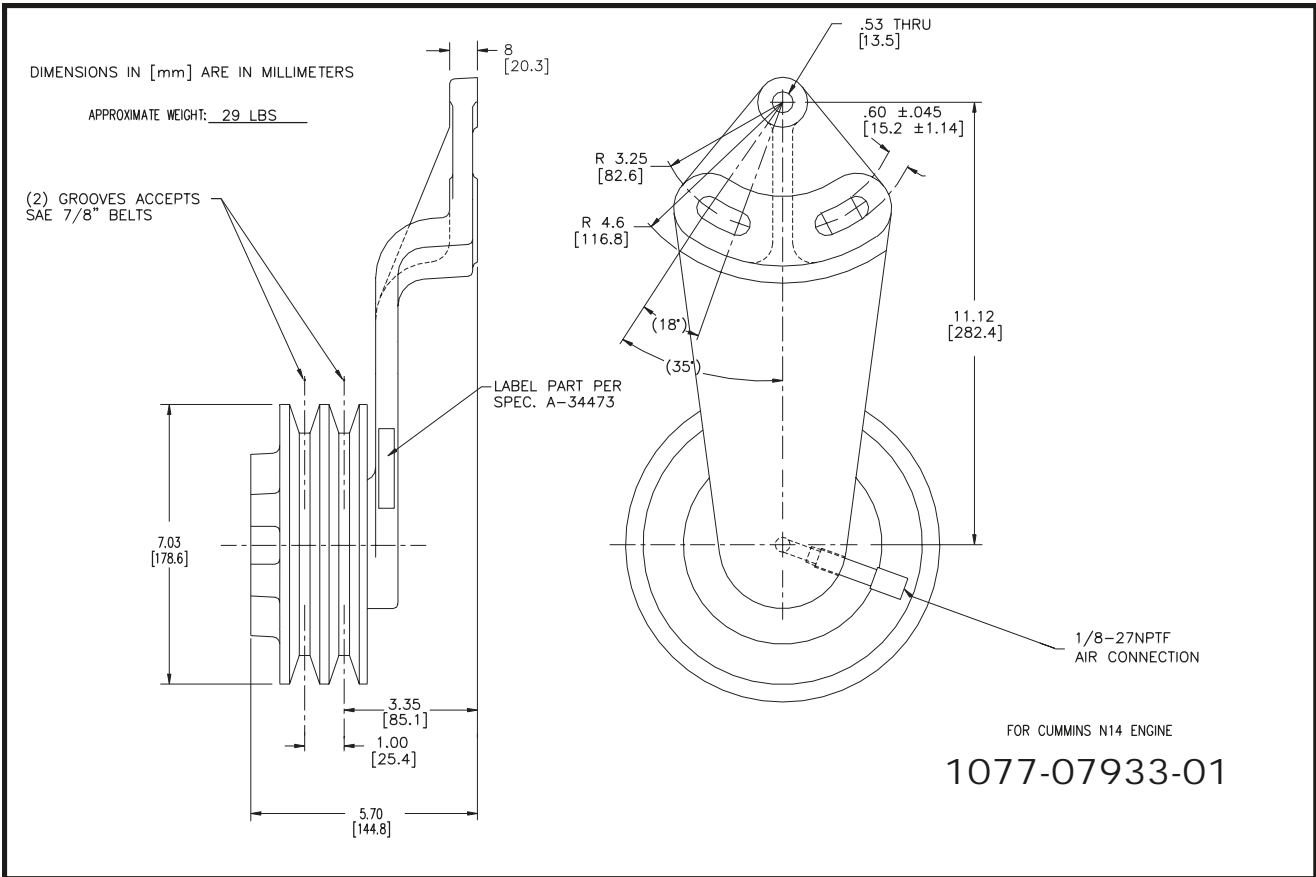
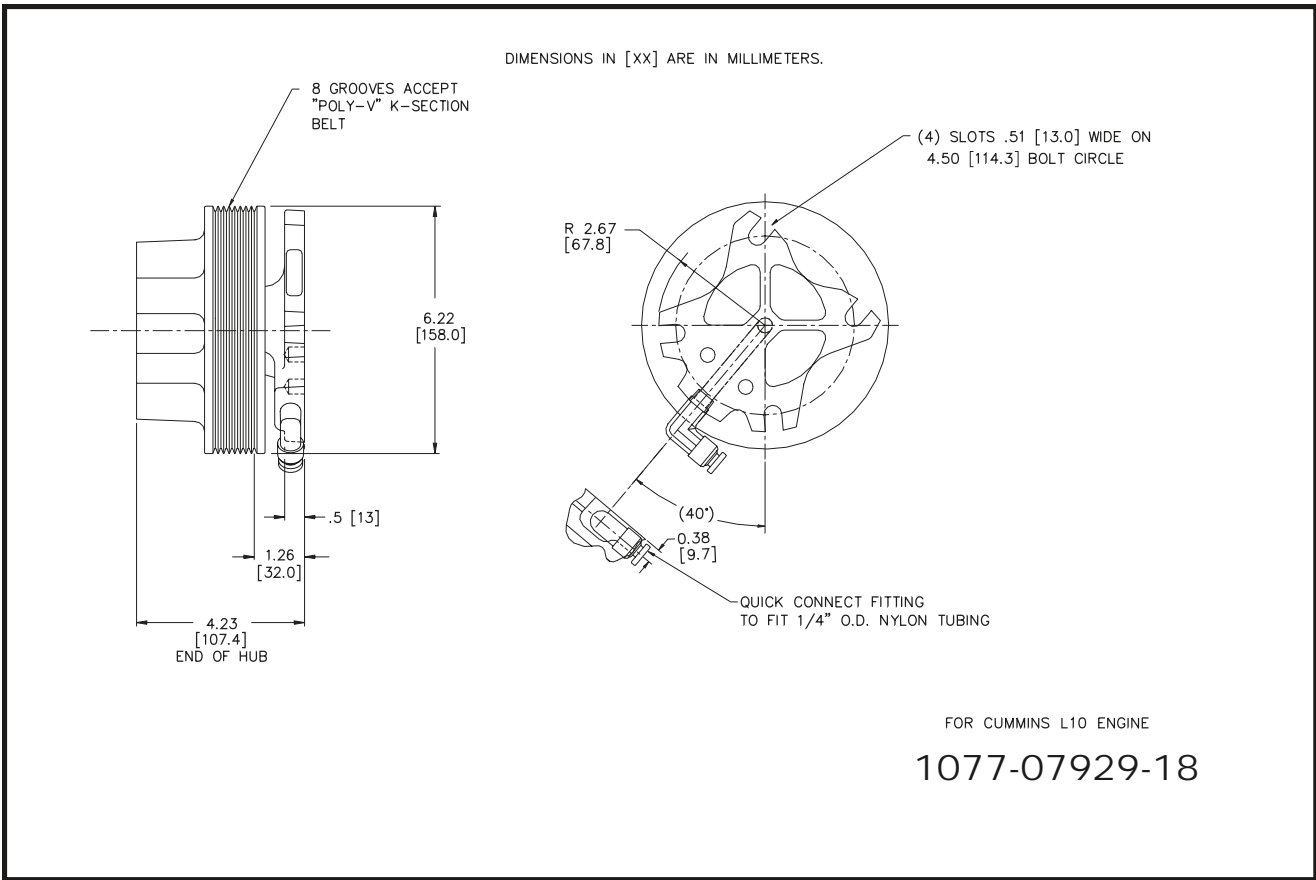


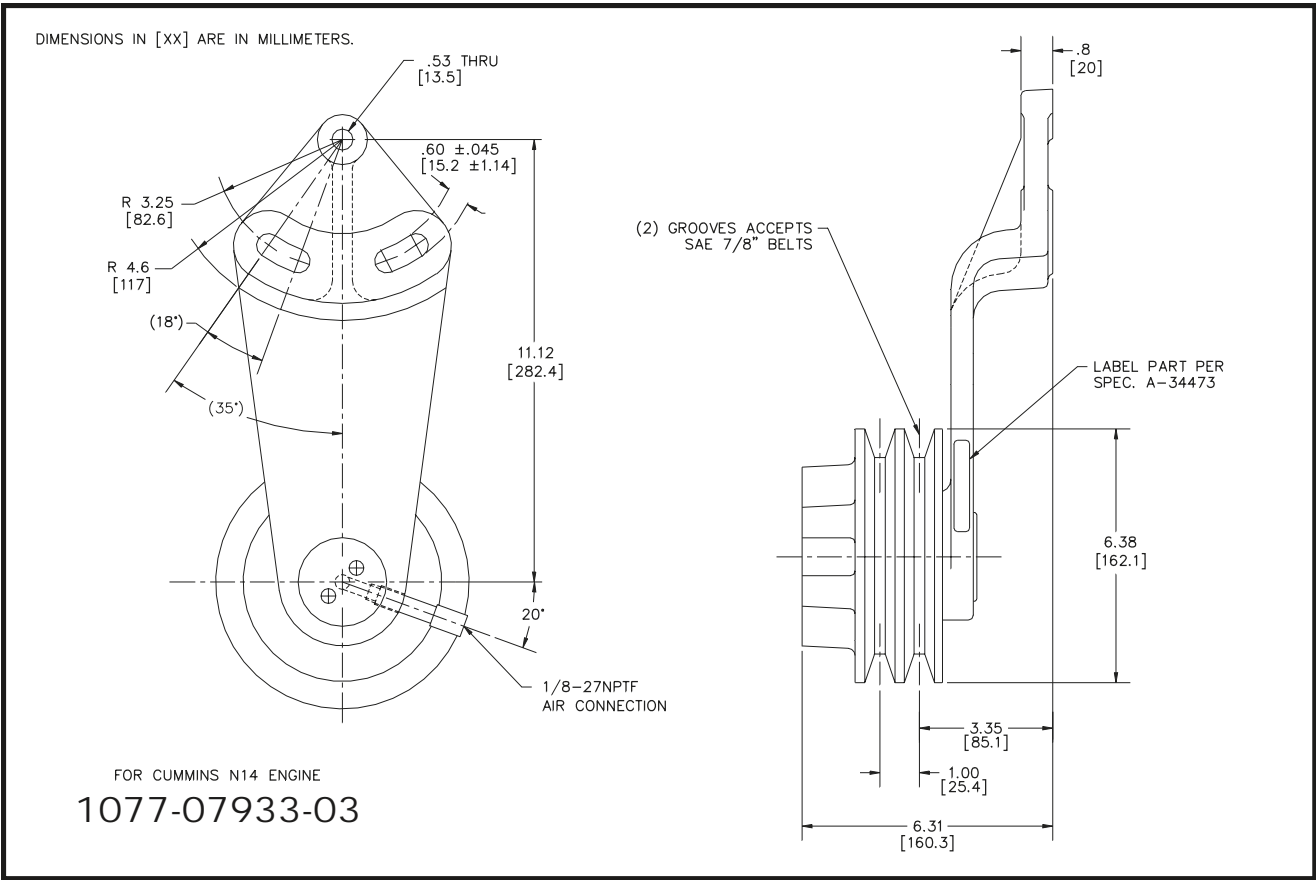
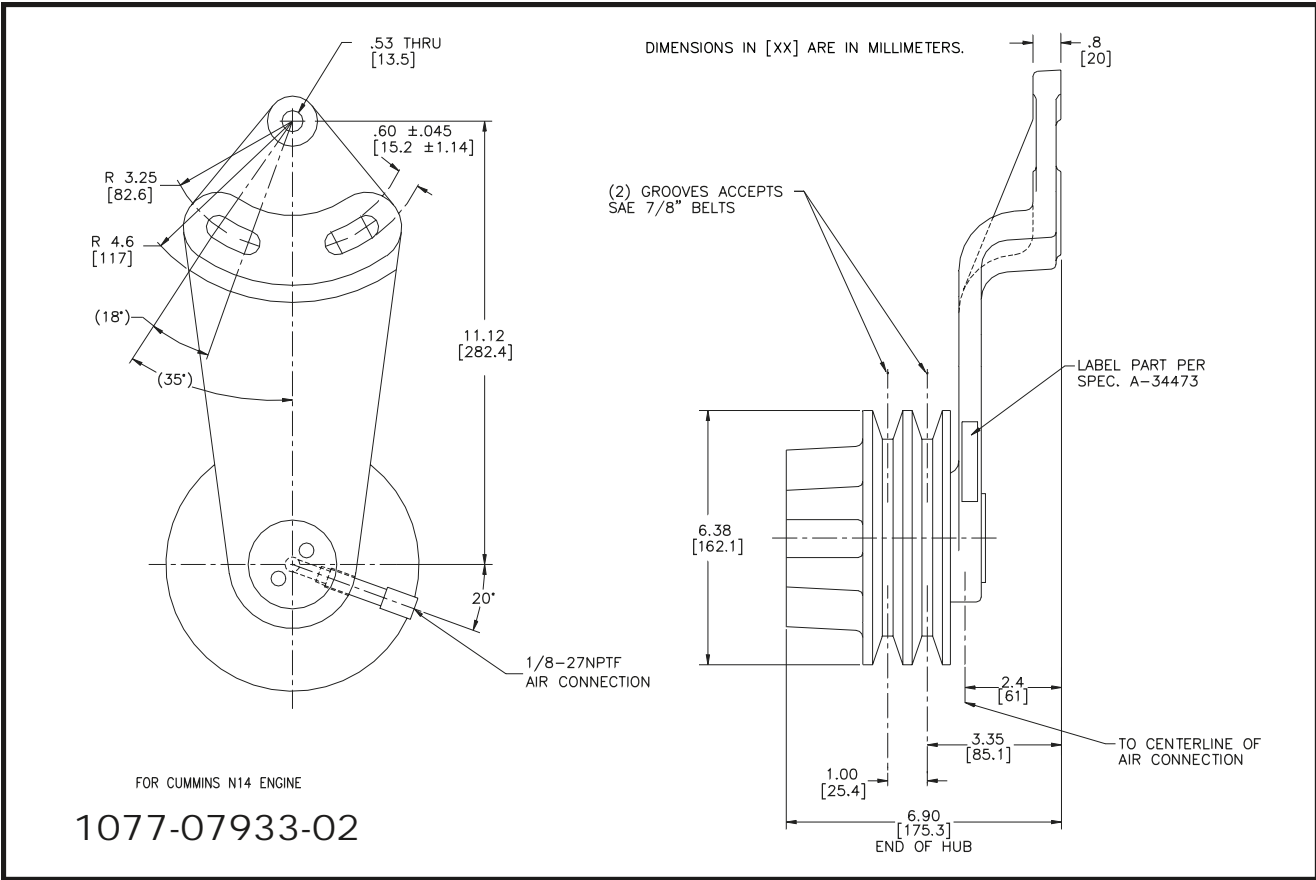
FOR CUMMINS M11 ENGINE  
1077-07929-13

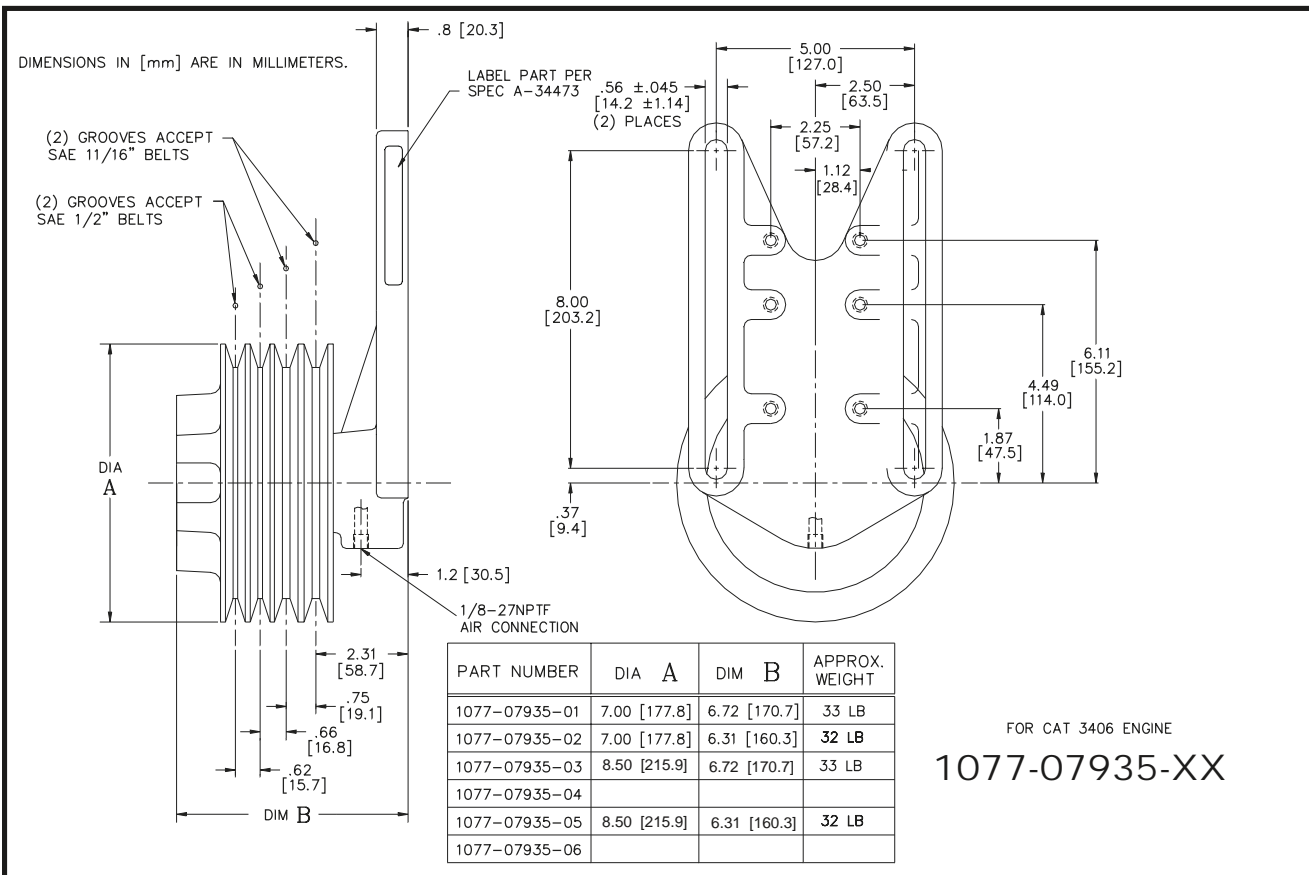
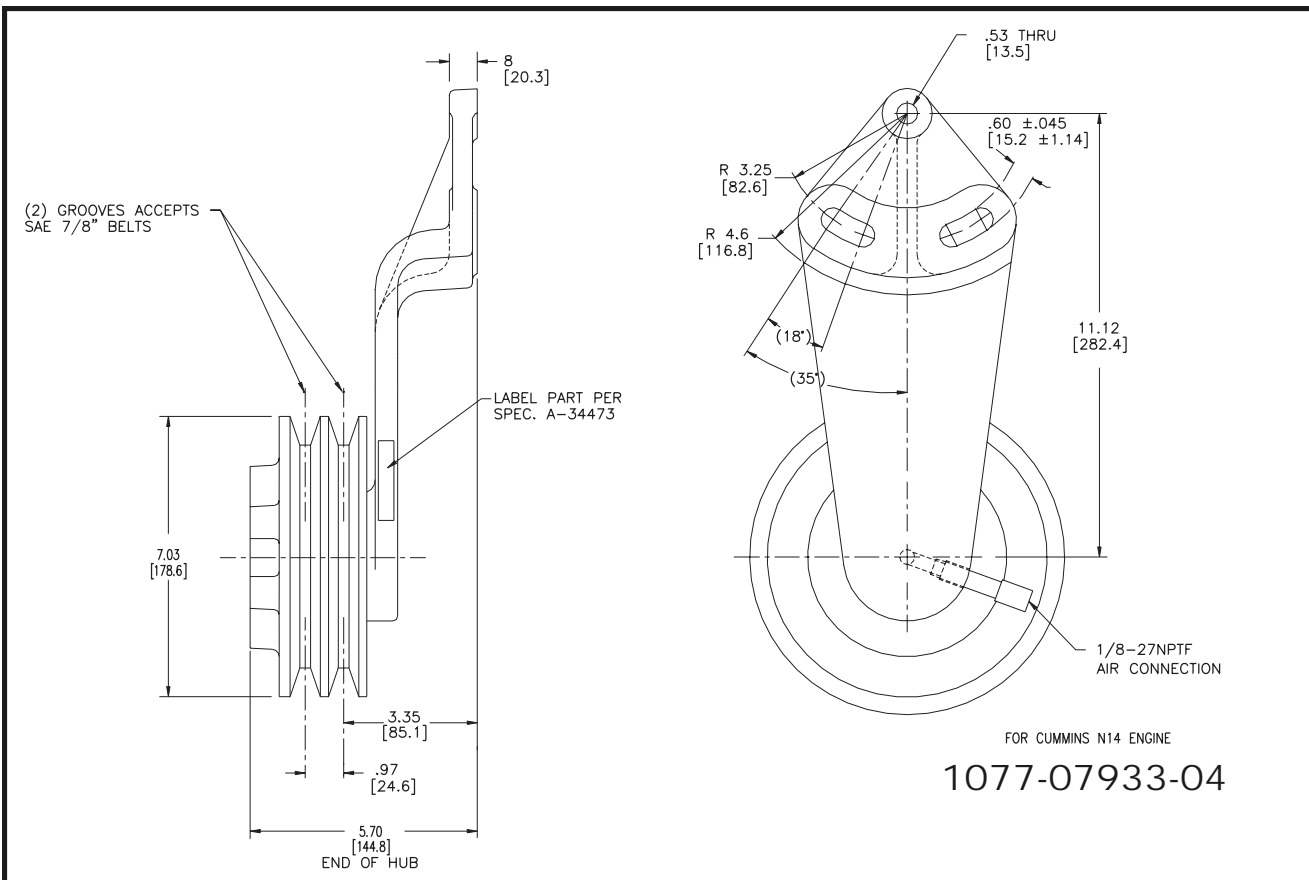


DIMENSIONS IN [XX] ARE IN MILLIMETERS.

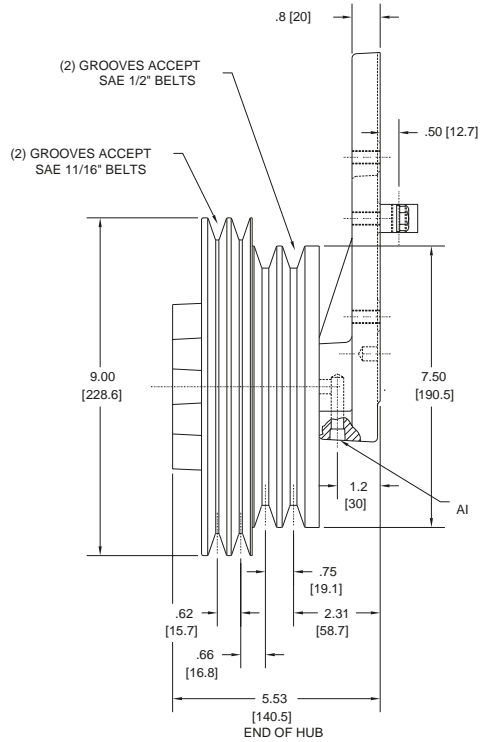
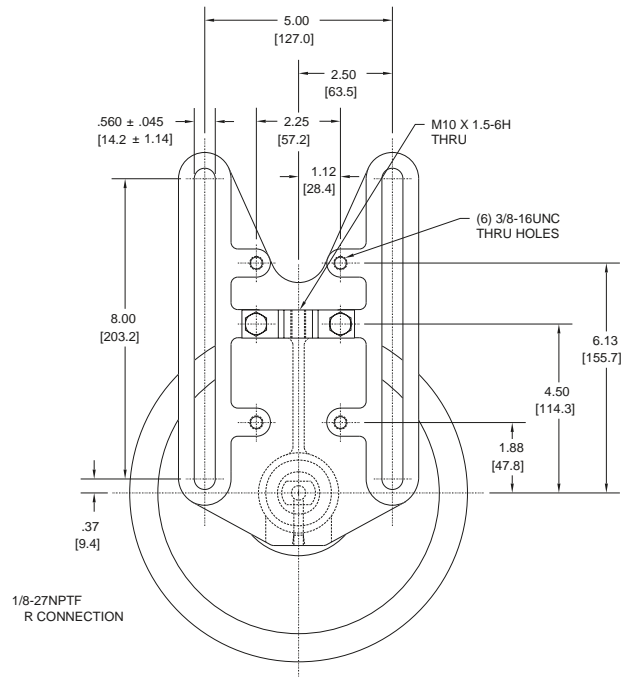
FOR CUMMINS L10 ENGINE  
1077-07929-17





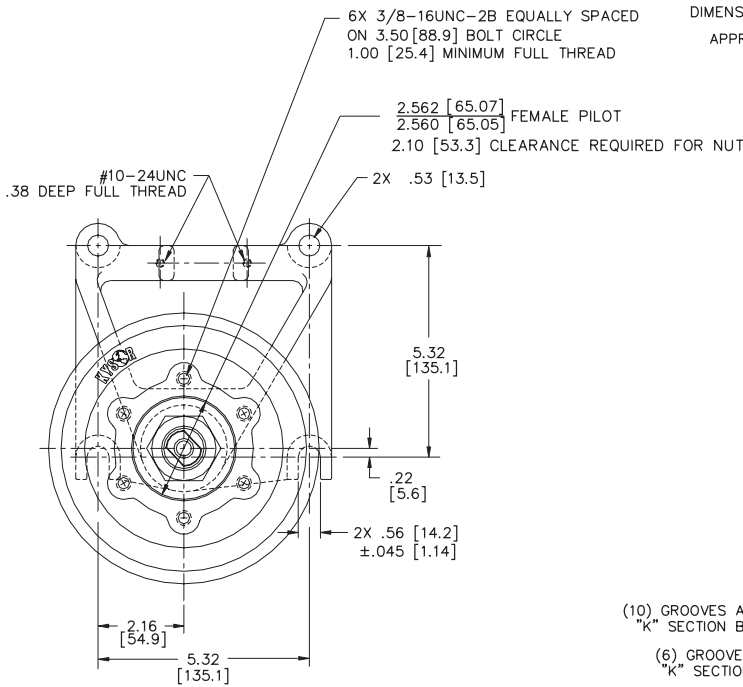


NOTE: DIMENSIONS IN [XX] ARE IN MILLIMETERS



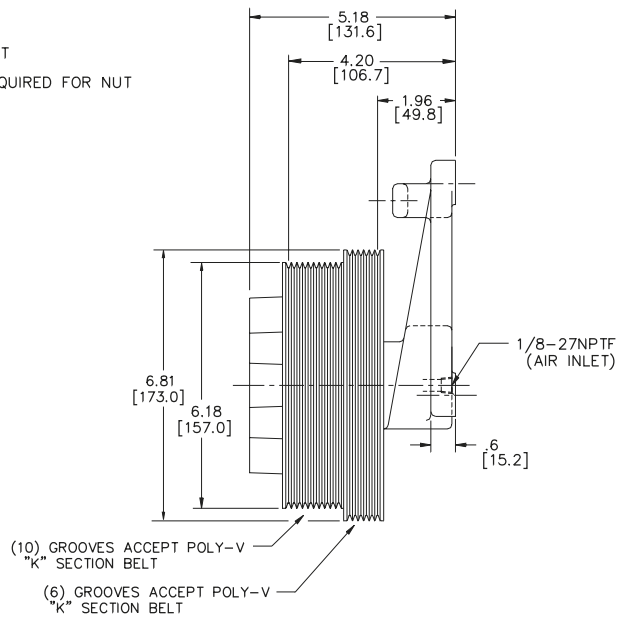
1077-07935-04

OUTLINE DRAWINGS



DIMENSIONS IN [mm] ARE IN MILLIMETERS.

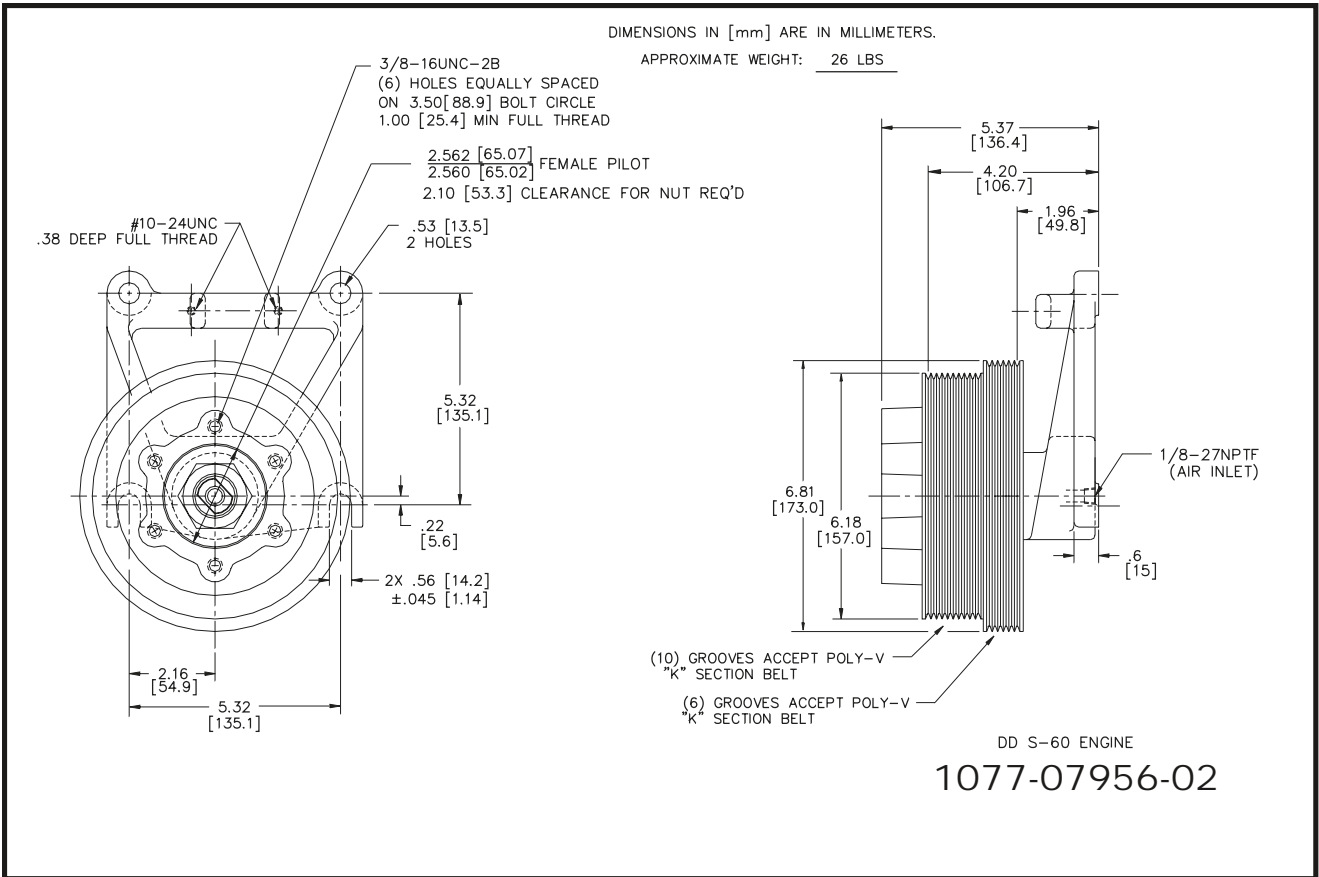
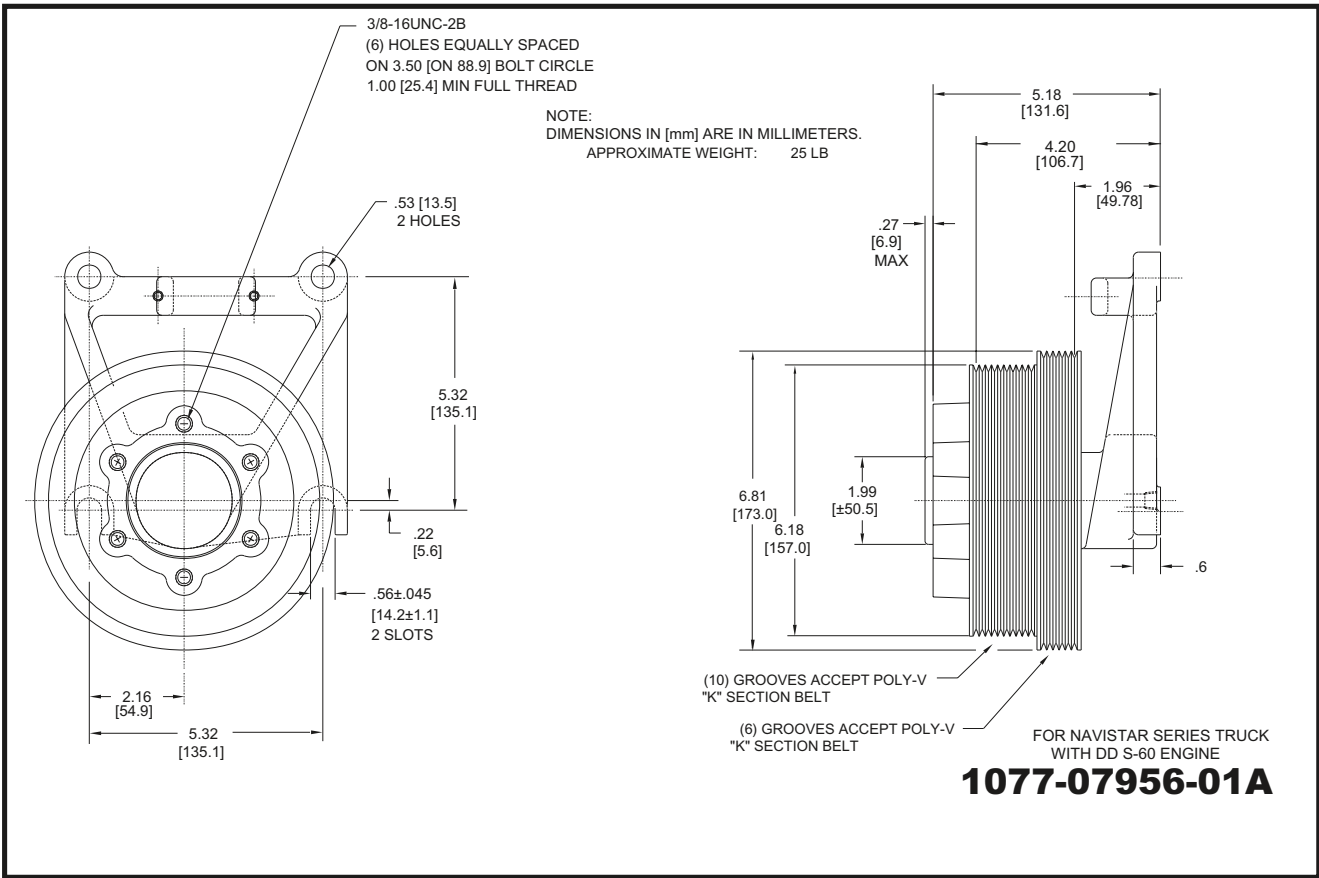
APPROXIMATE WEIGHT: 24 LB

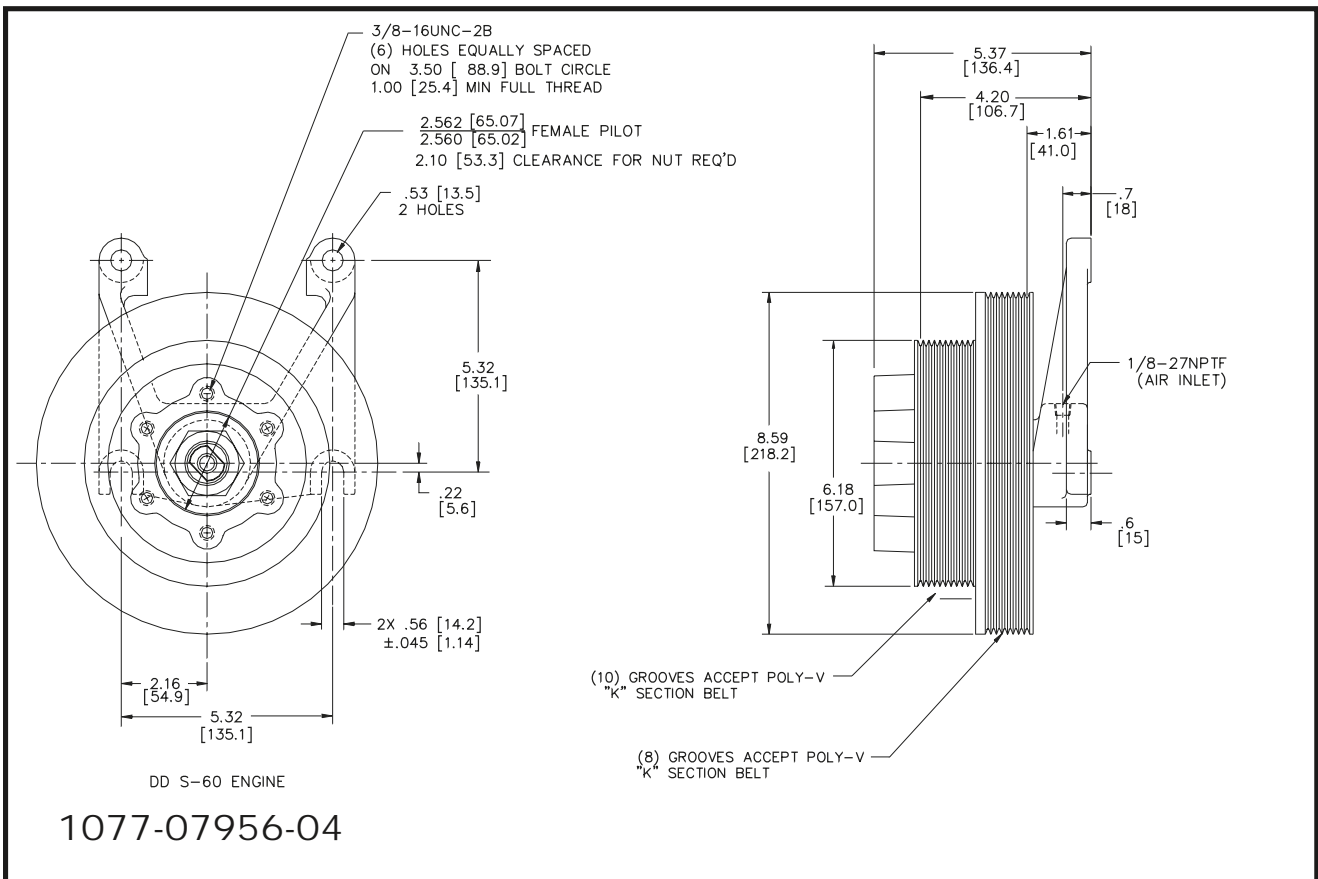
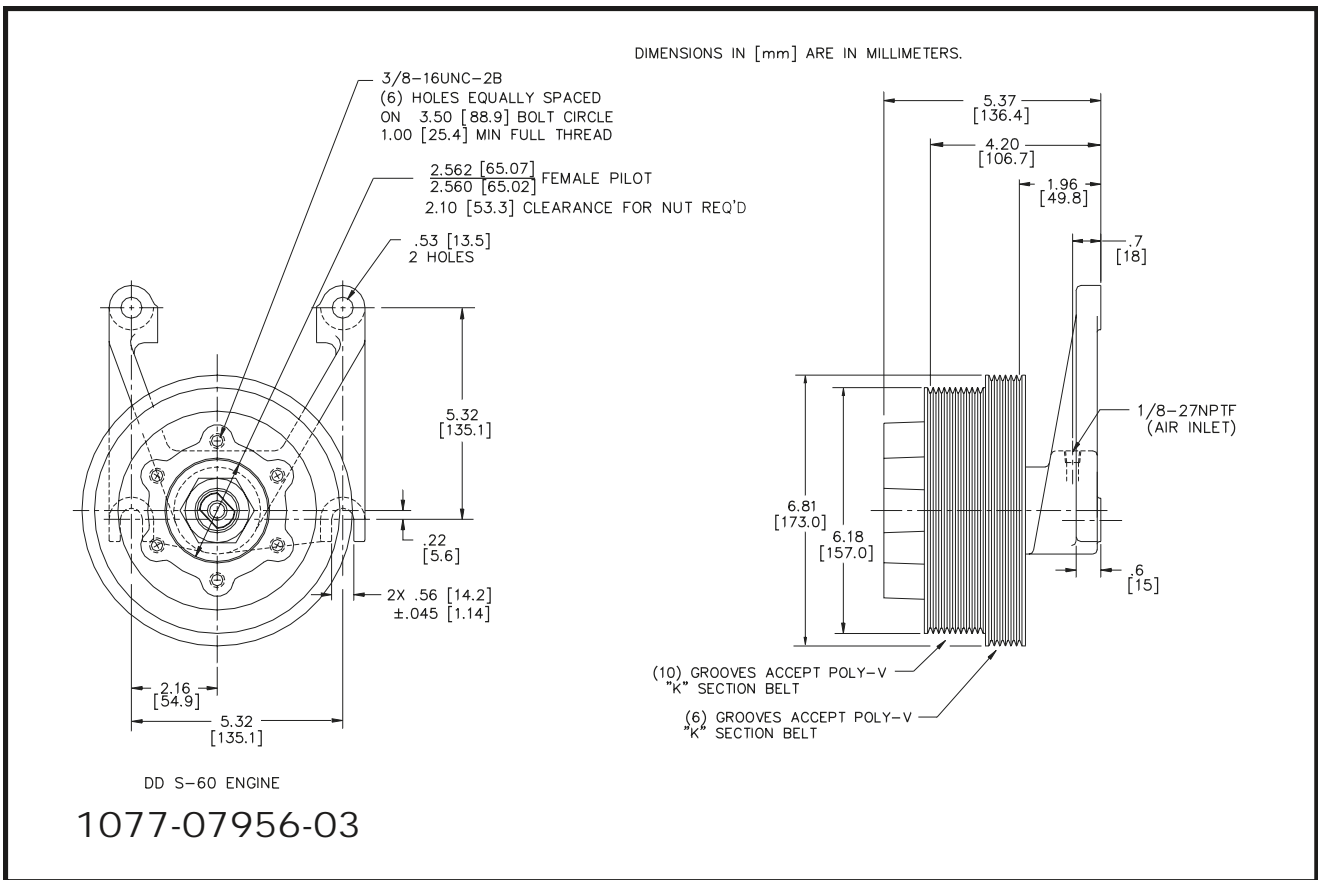


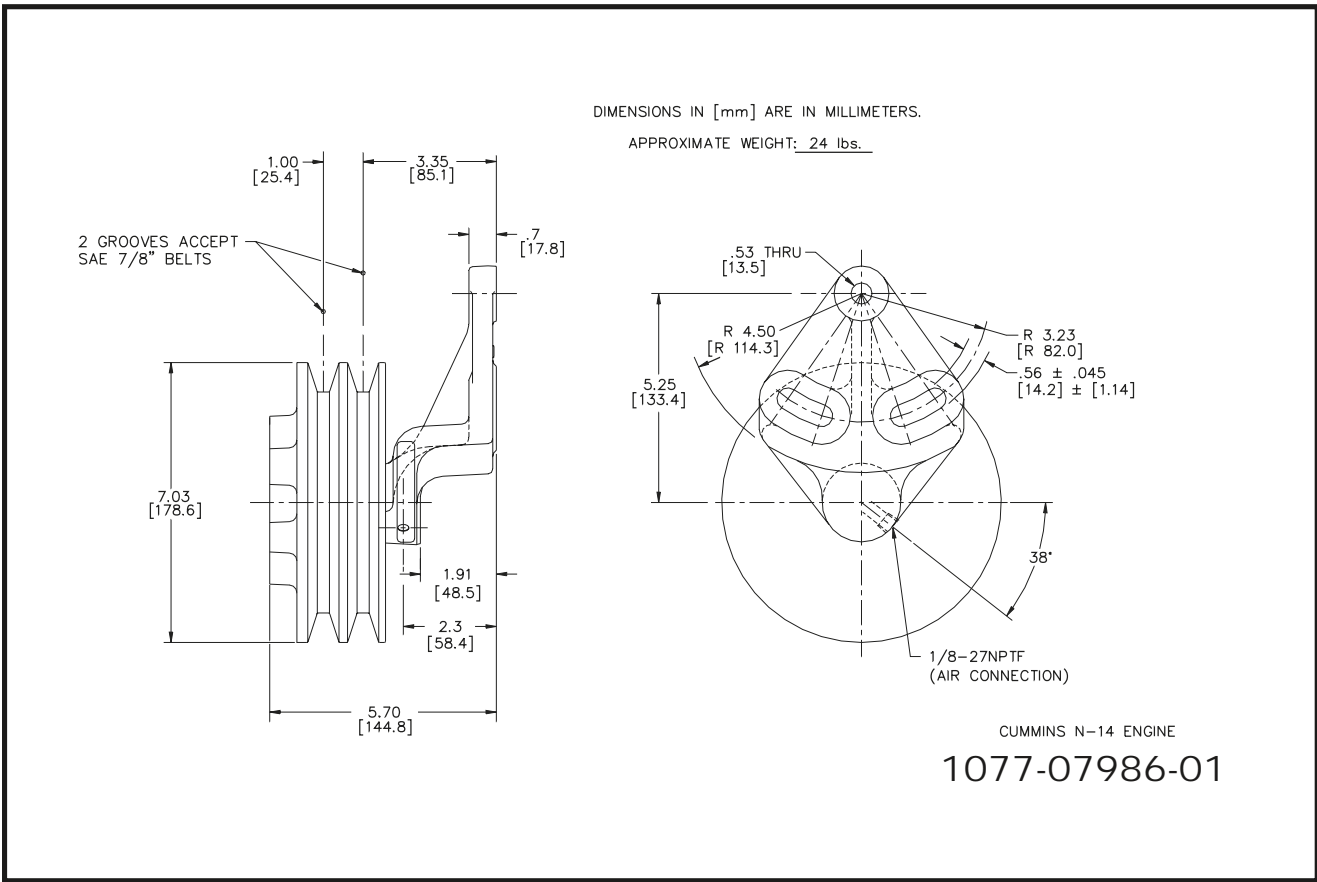
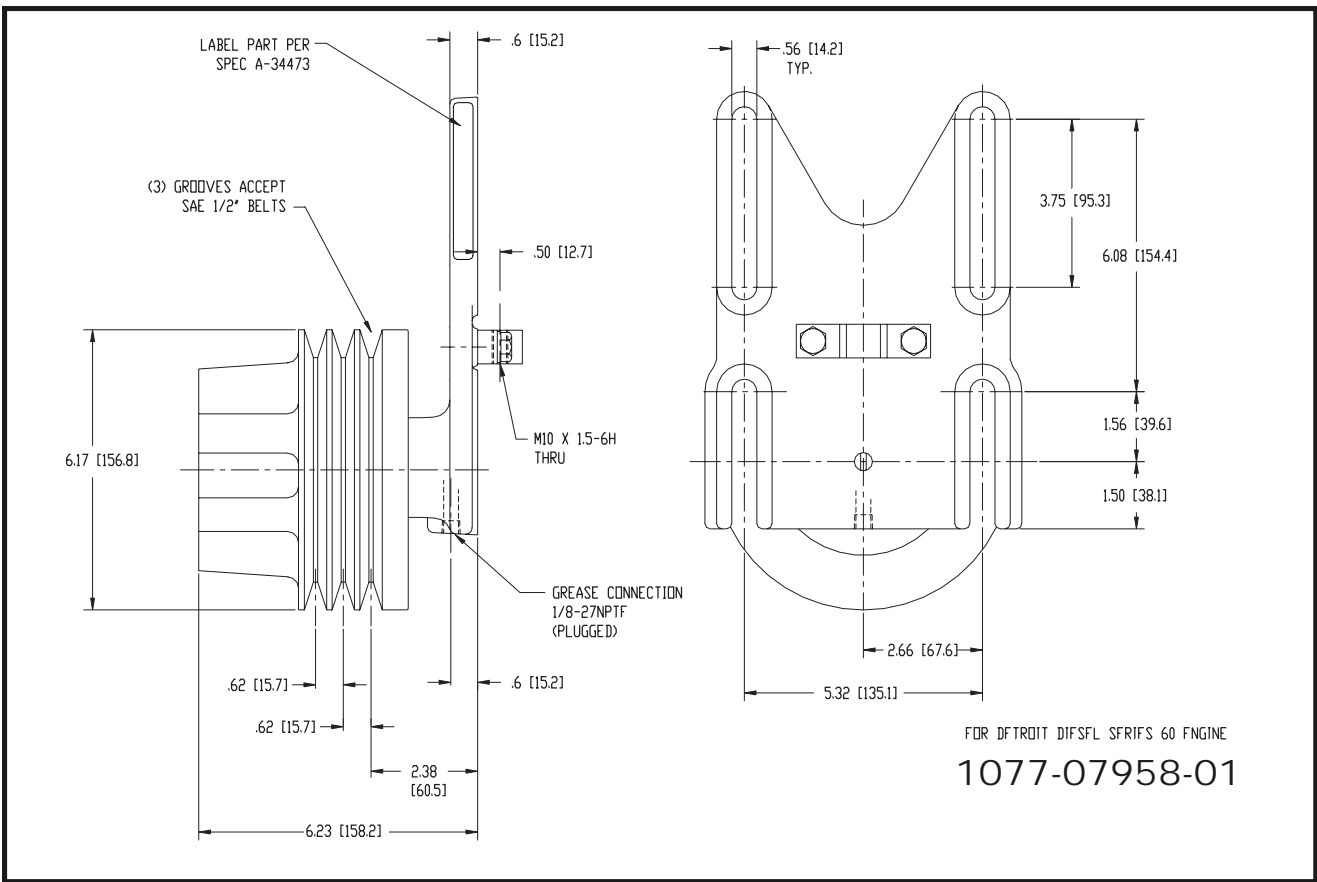
DD S-60 ENGINE

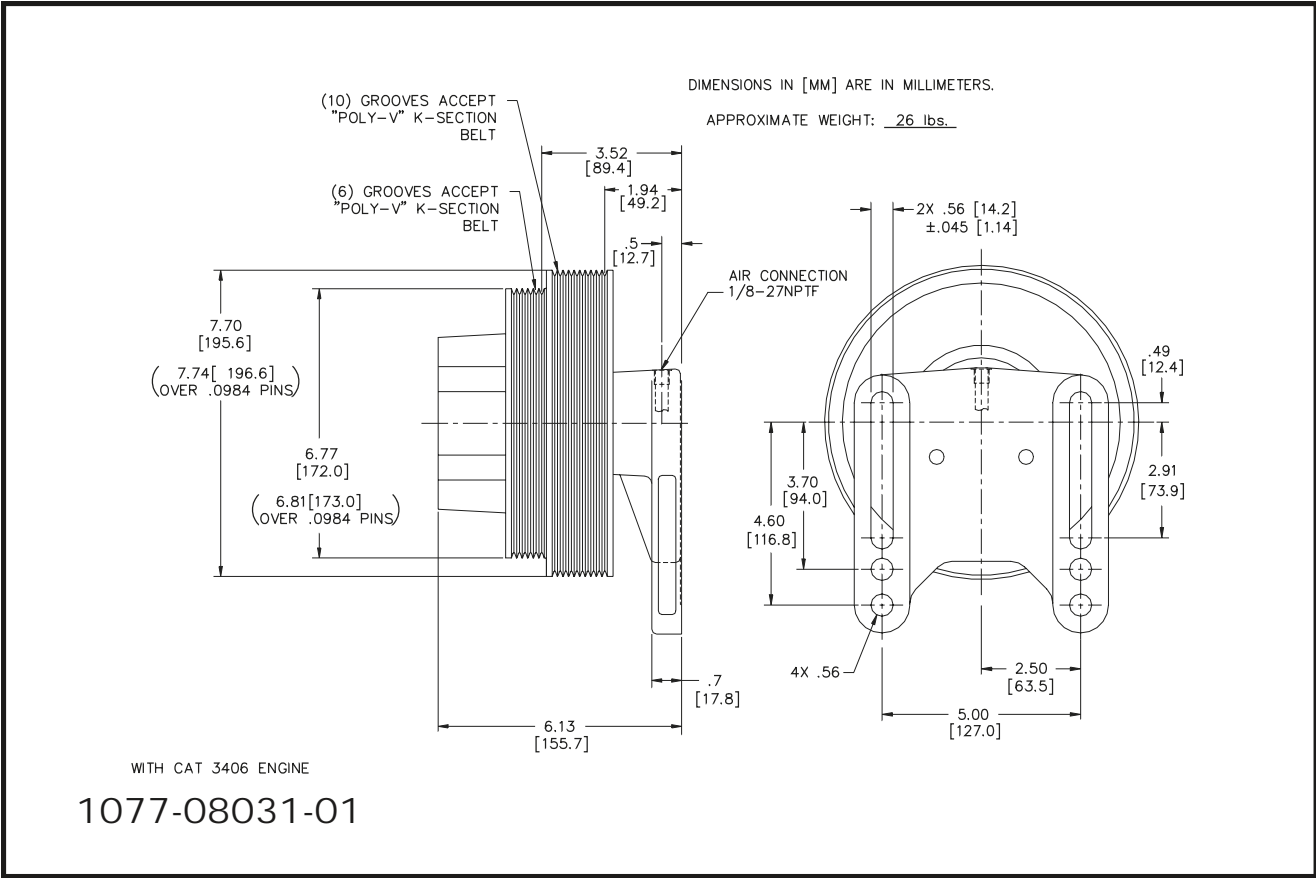
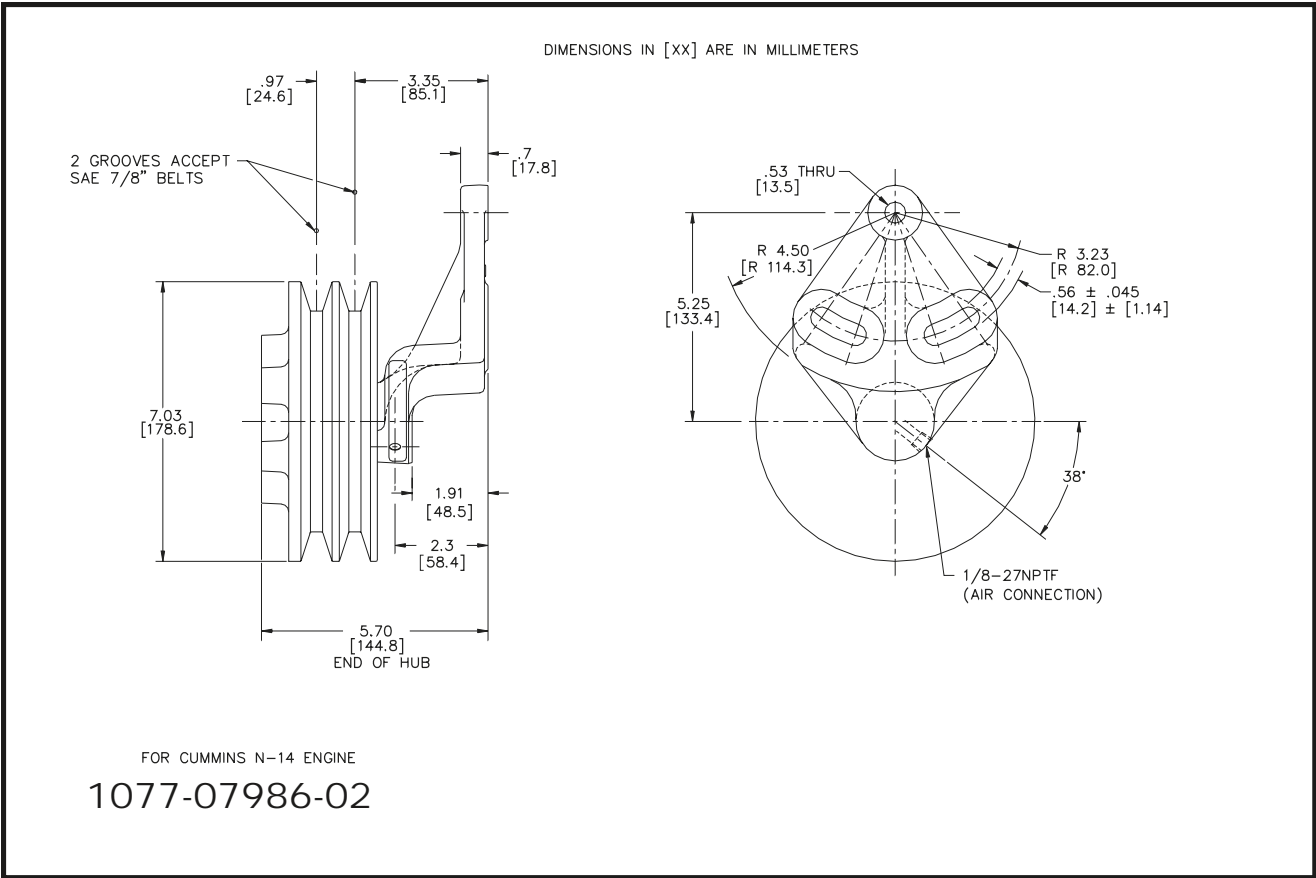
1077-07956-01

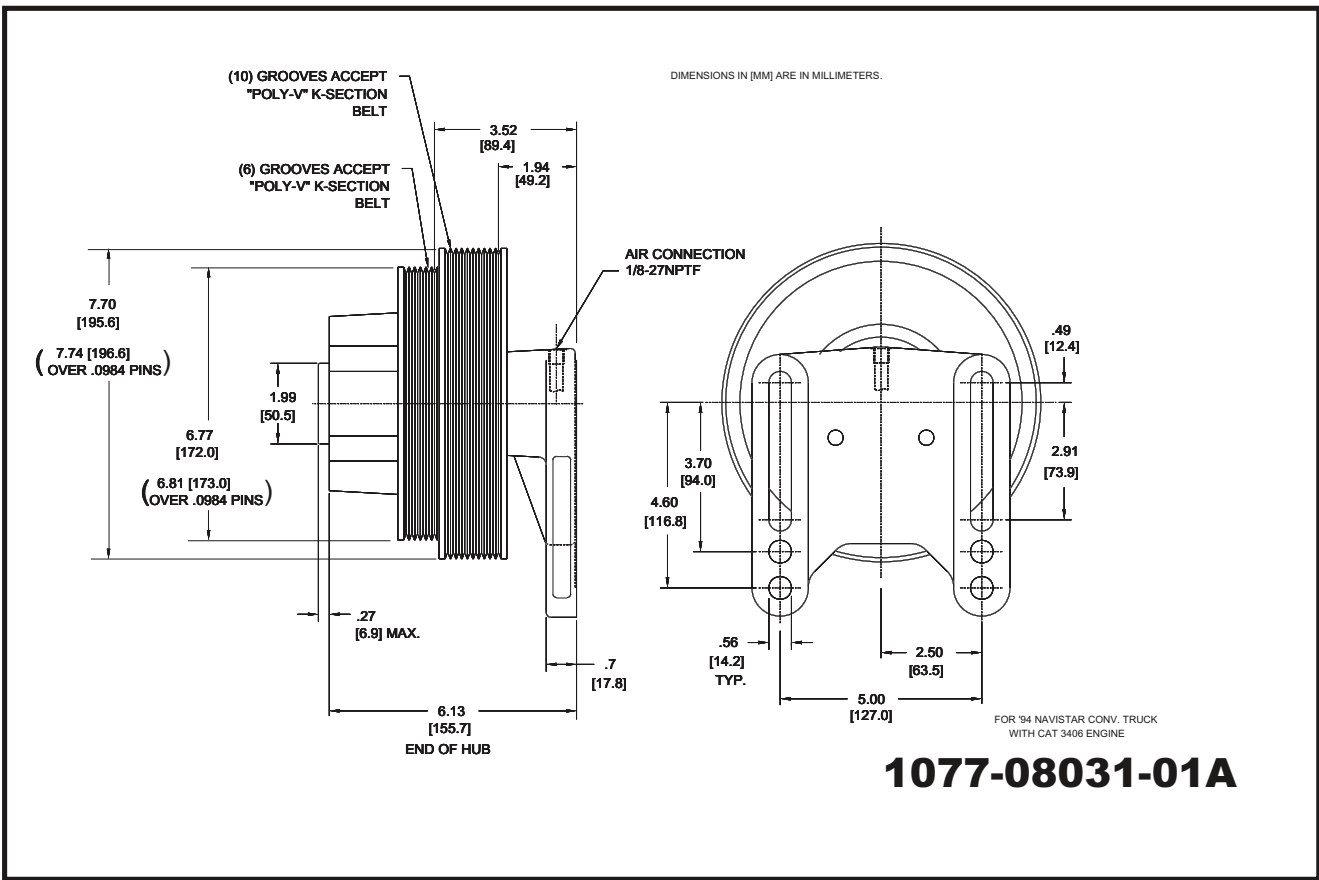




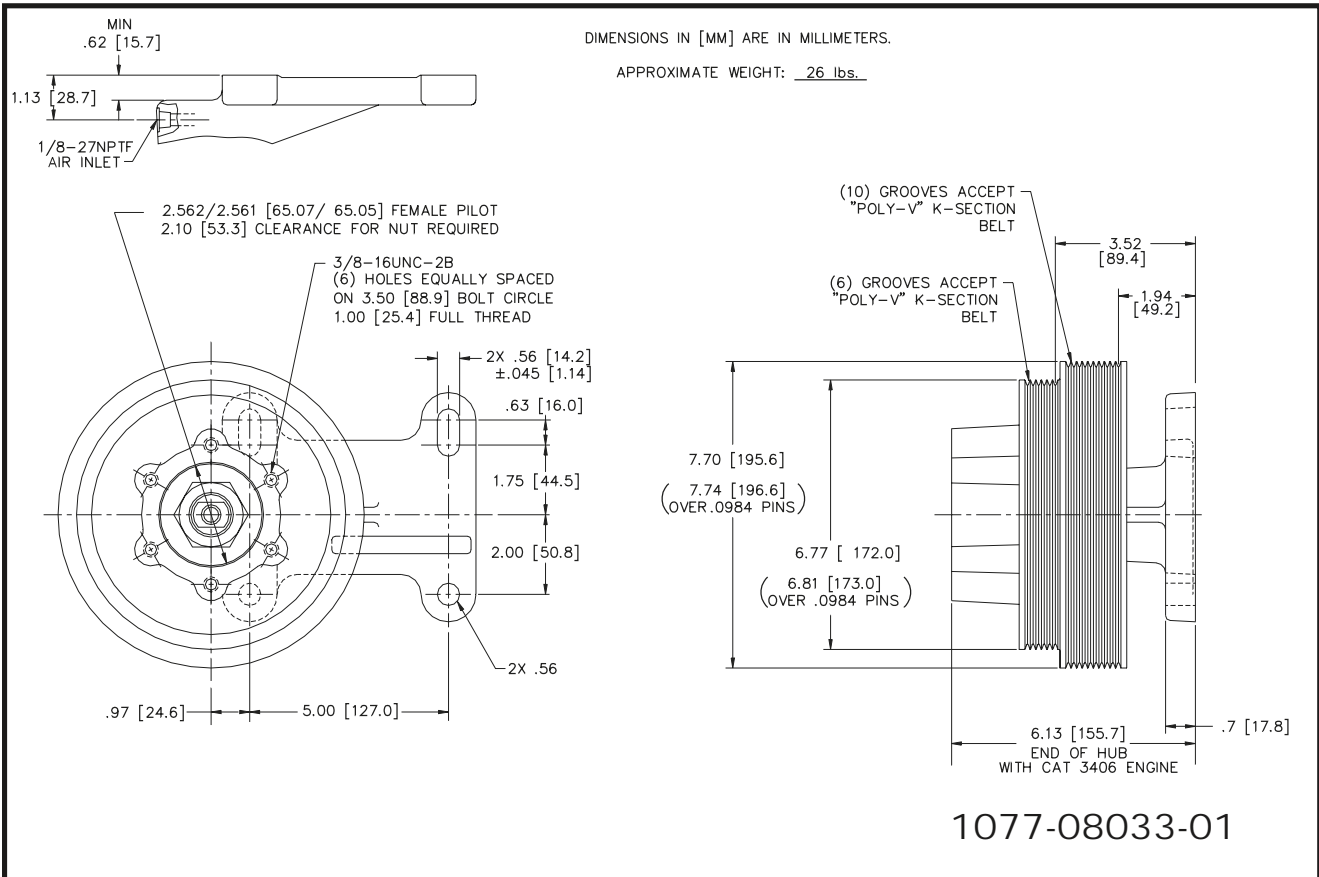






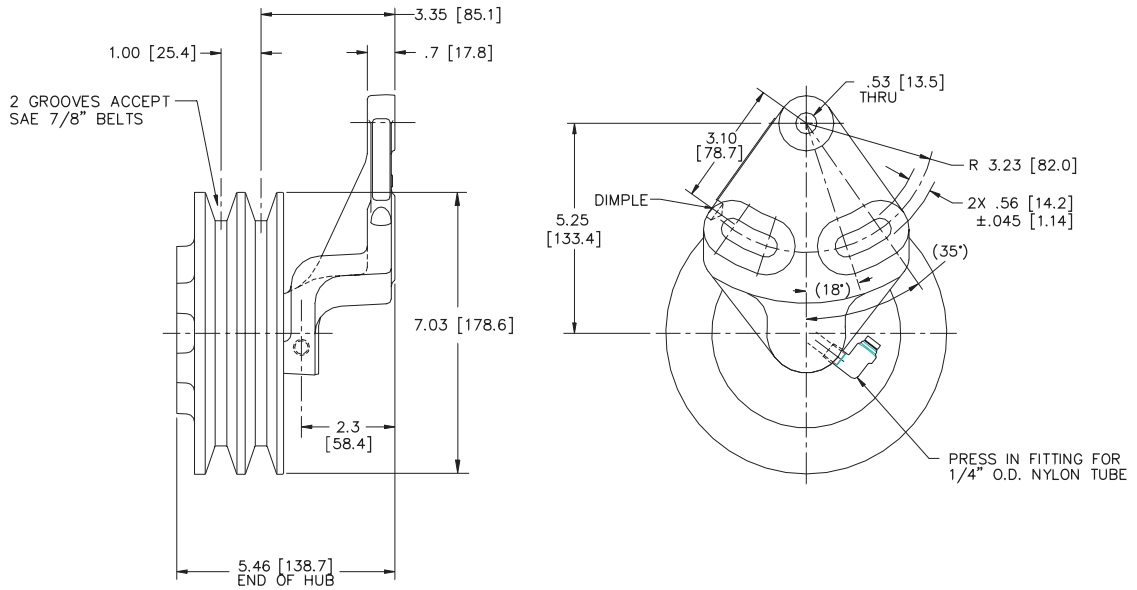


1077-08031-02 outline not available



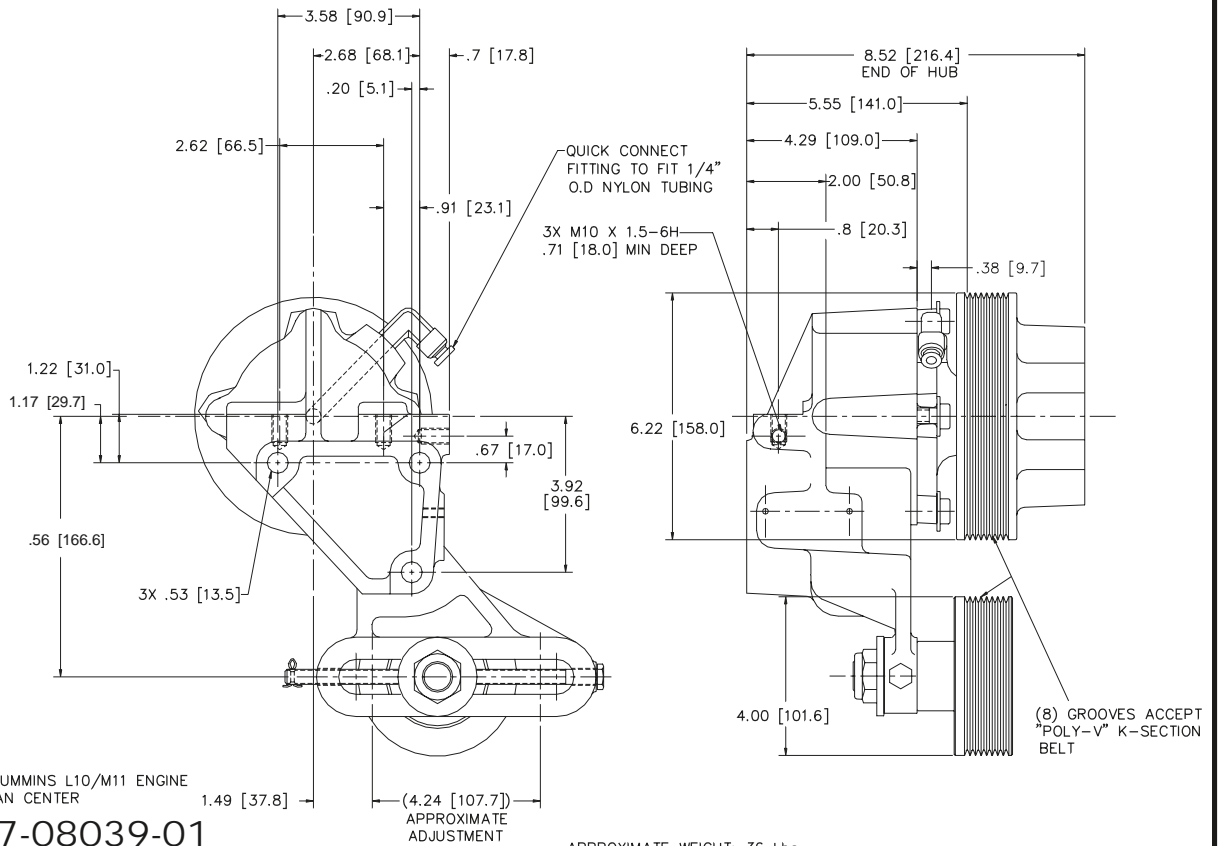
DIMENSIONS IN [xx] ARE IN MILLIMETERS.

APPROXIMATE WEIGHT: 23 LBS



FOR CUMMINS N14 ENGINE

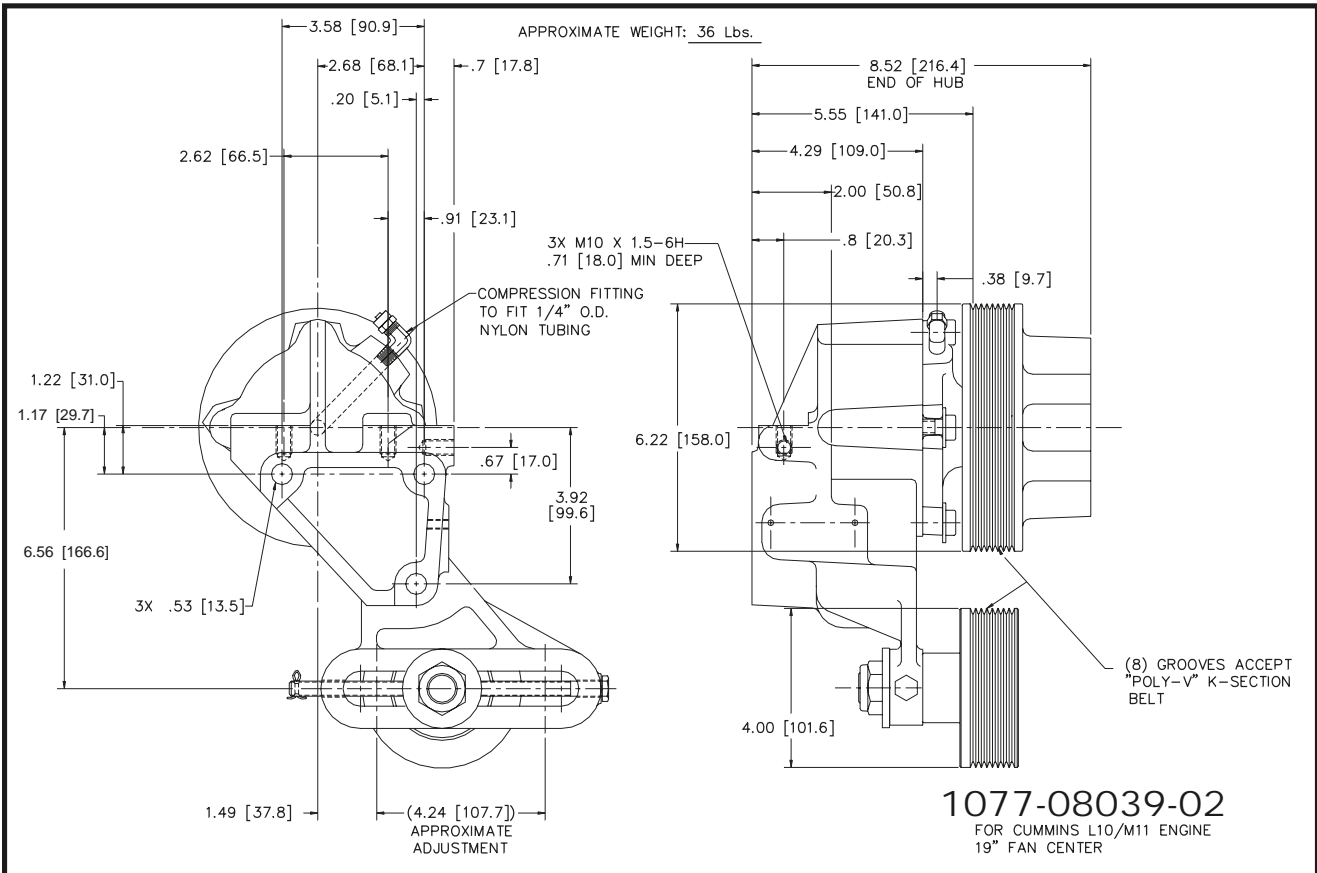
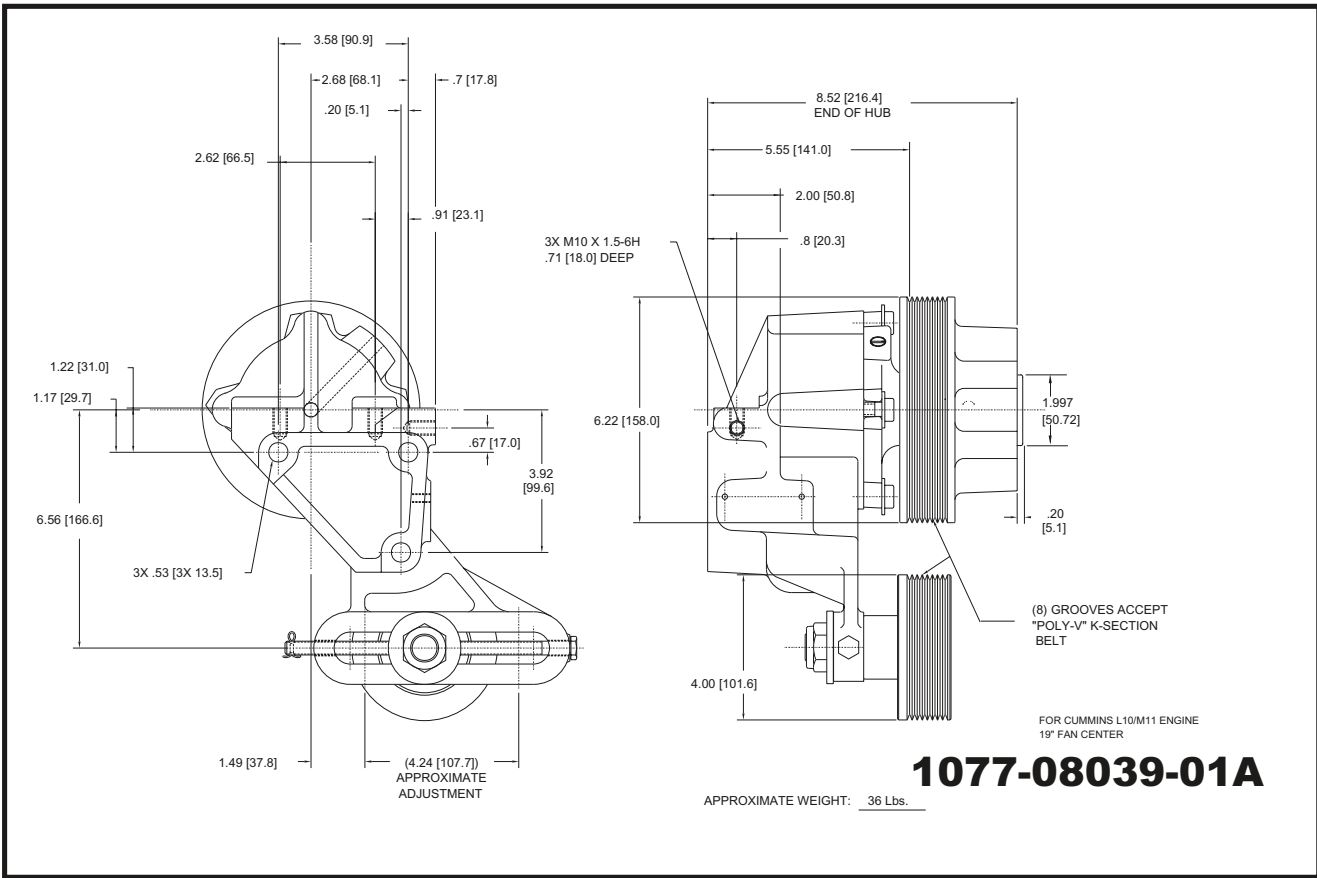
1077-08035-01

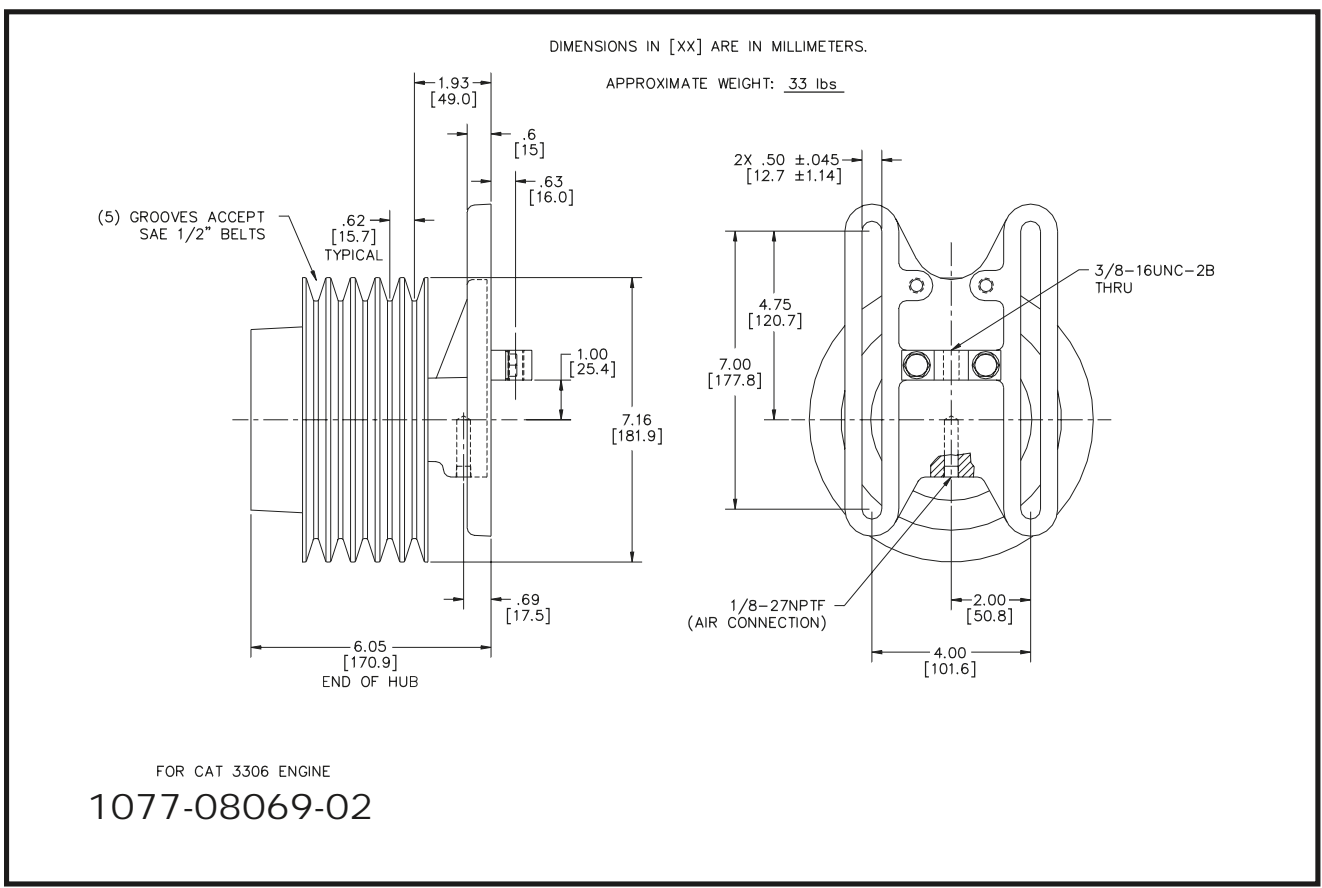
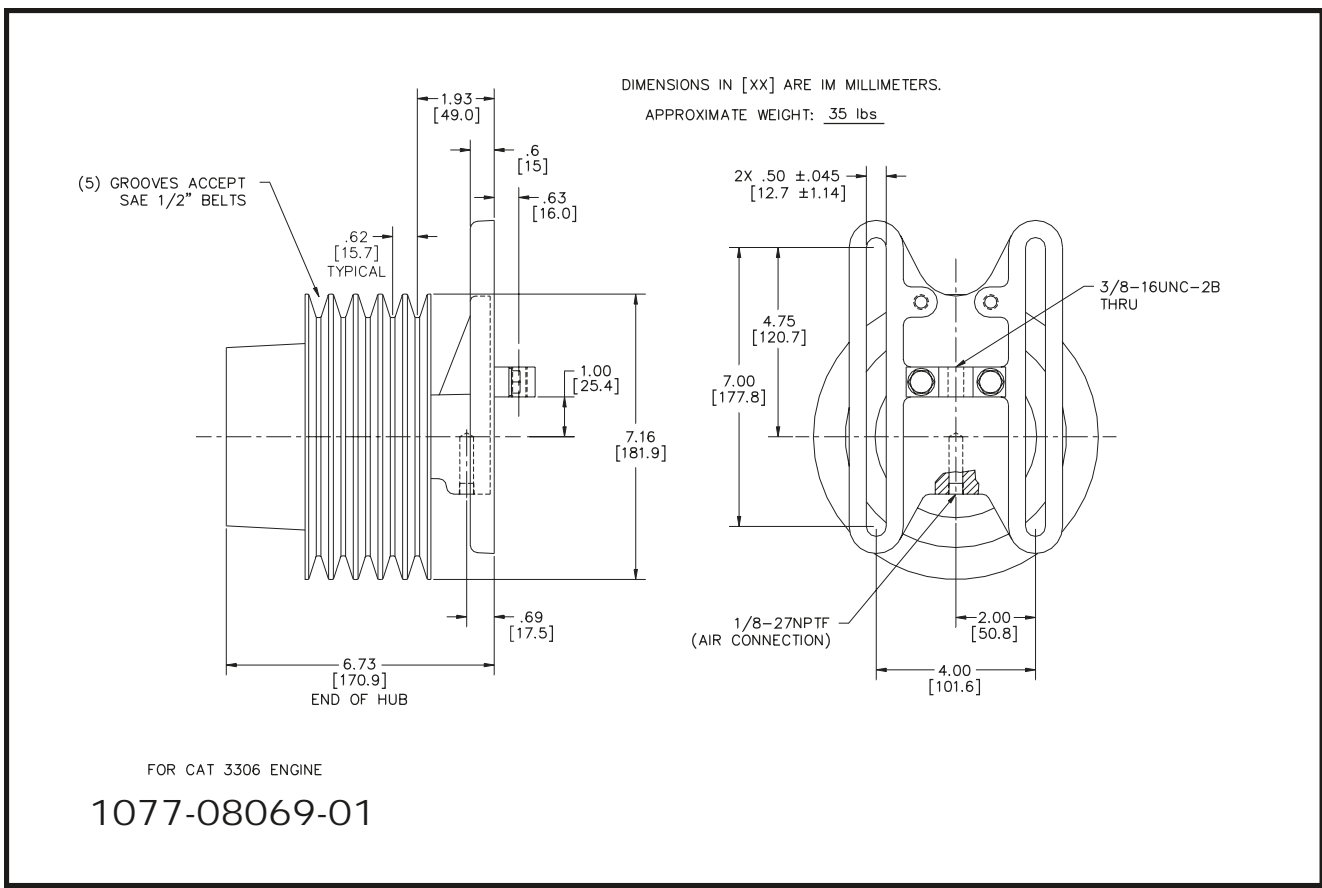


FOR CUMMINS L10/M11 ENGINE  
19" FAN CENTER

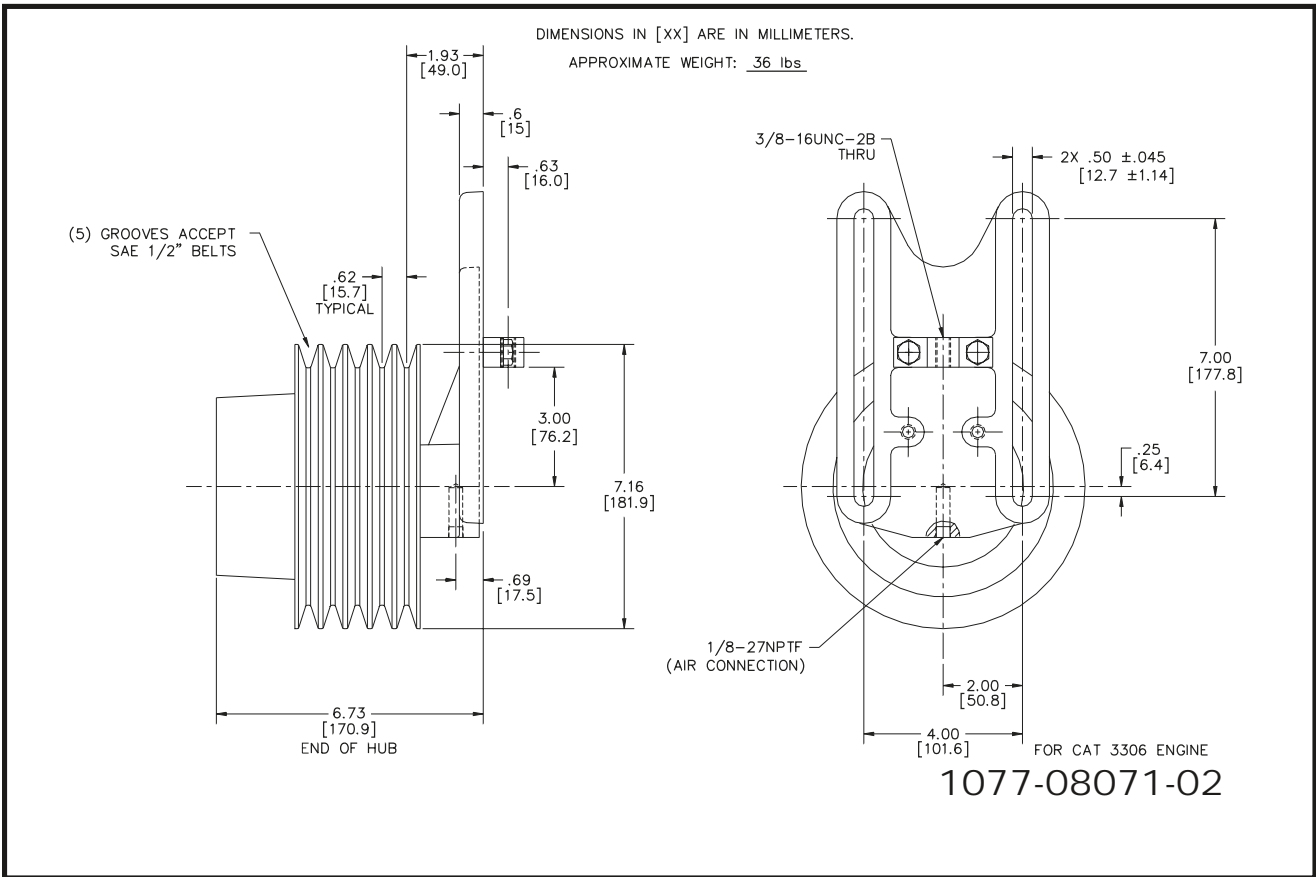
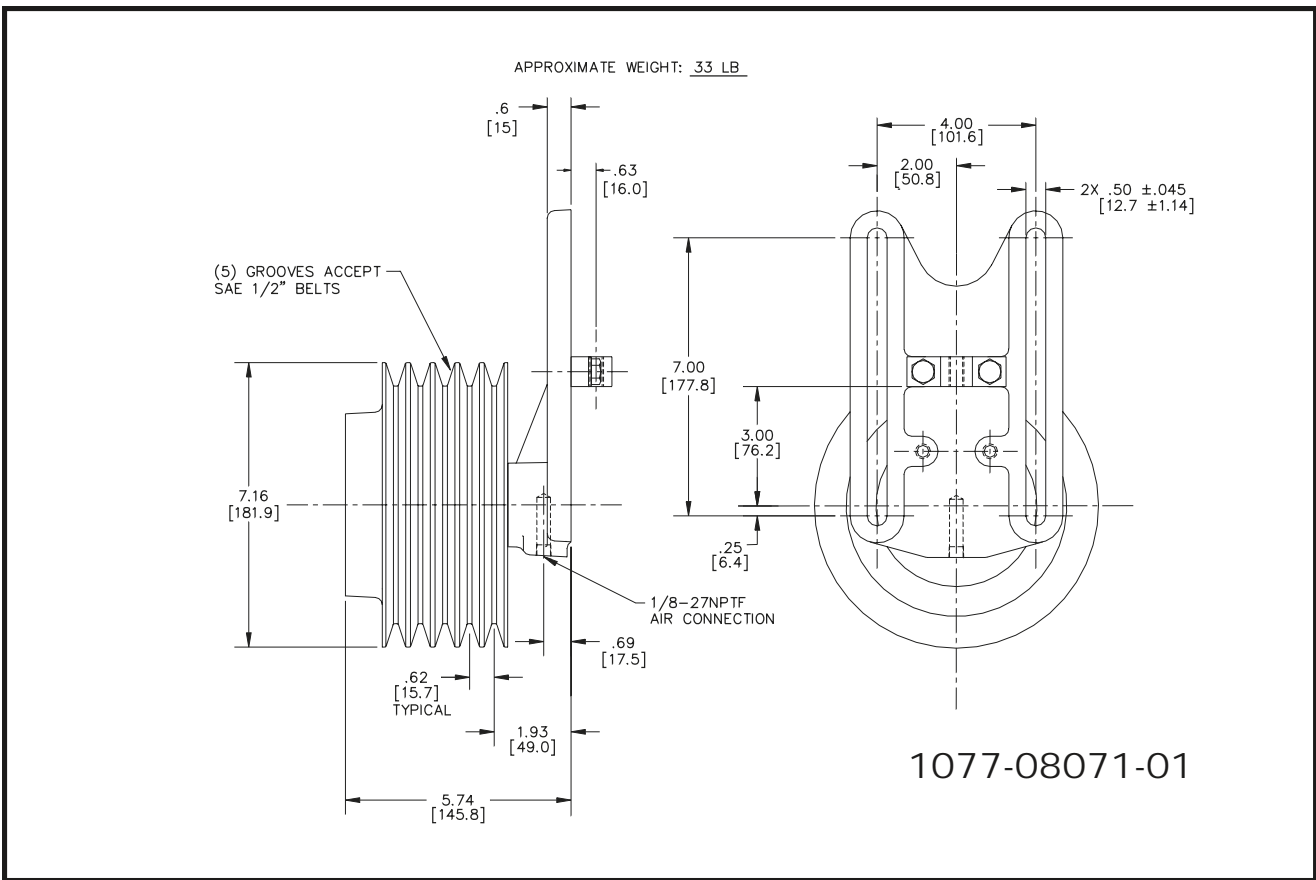
1077-08039-01

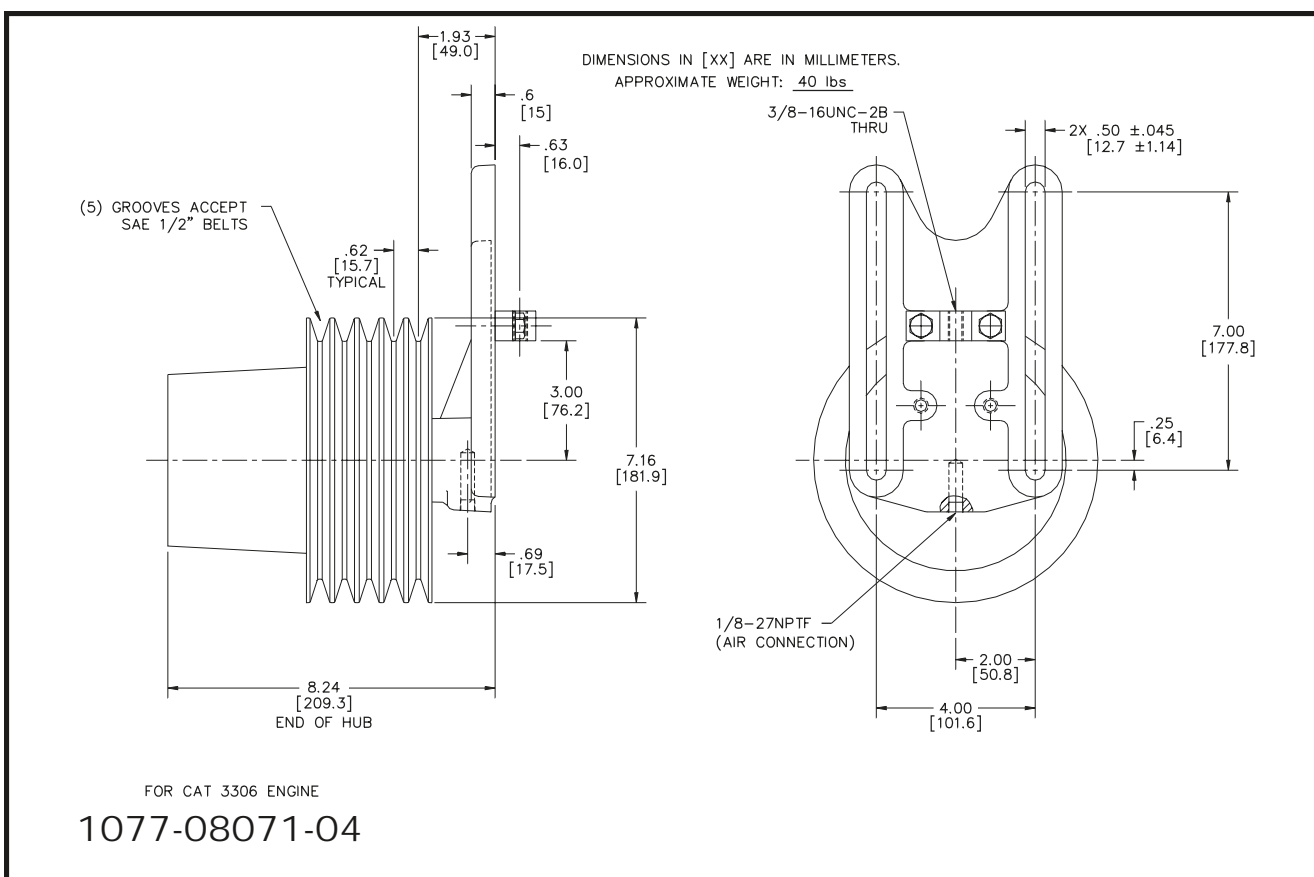
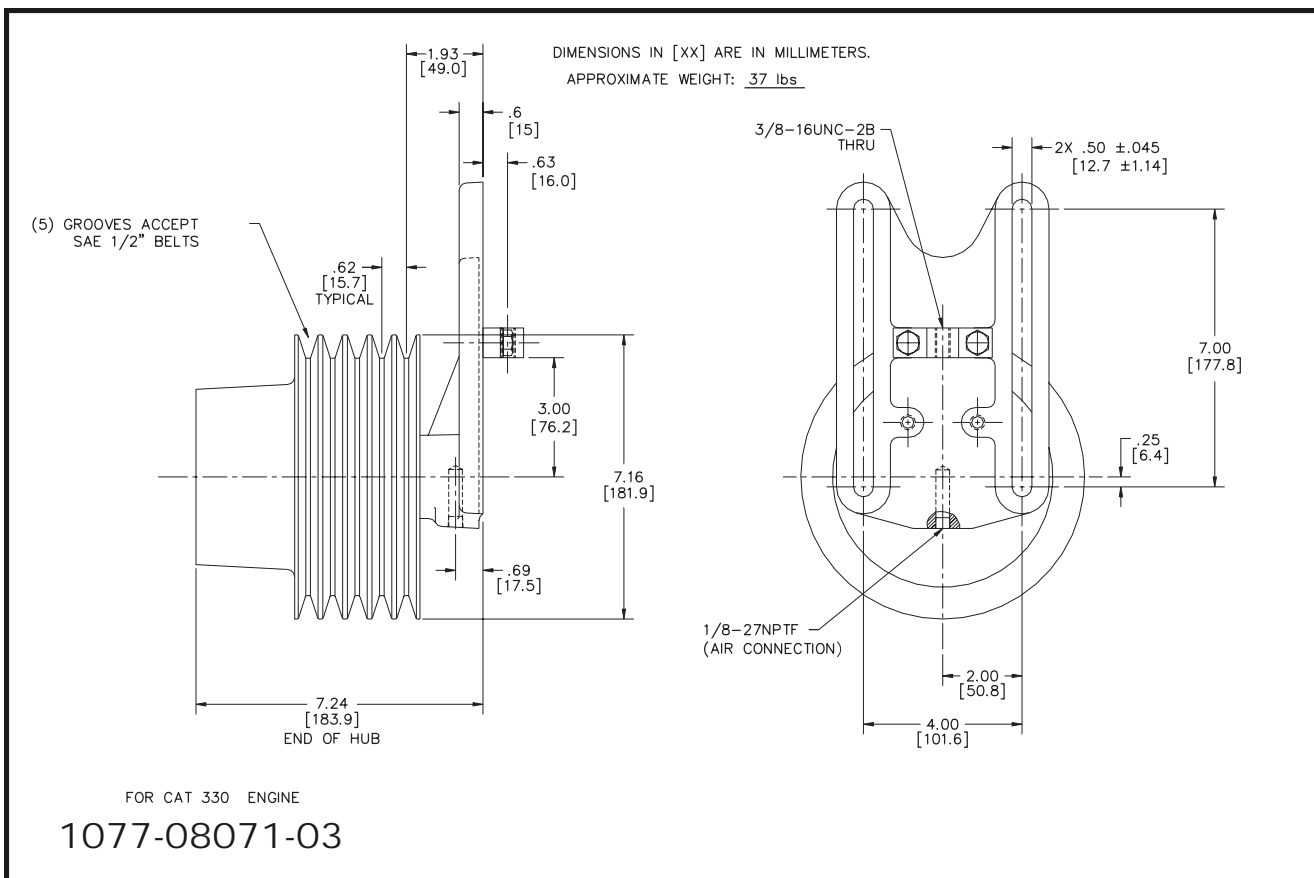
APPROXIMATE WEIGHT: 36 Lbs.

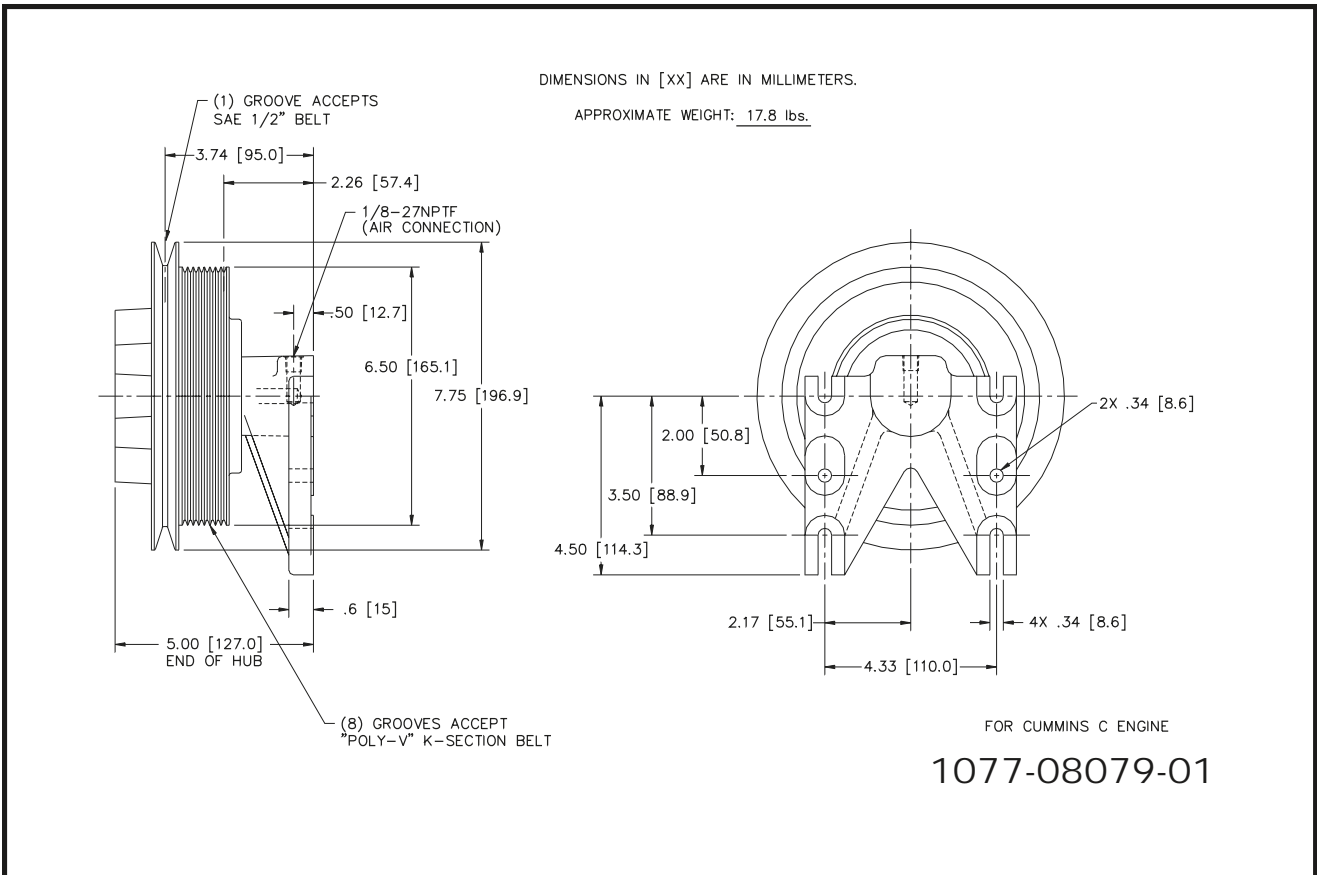
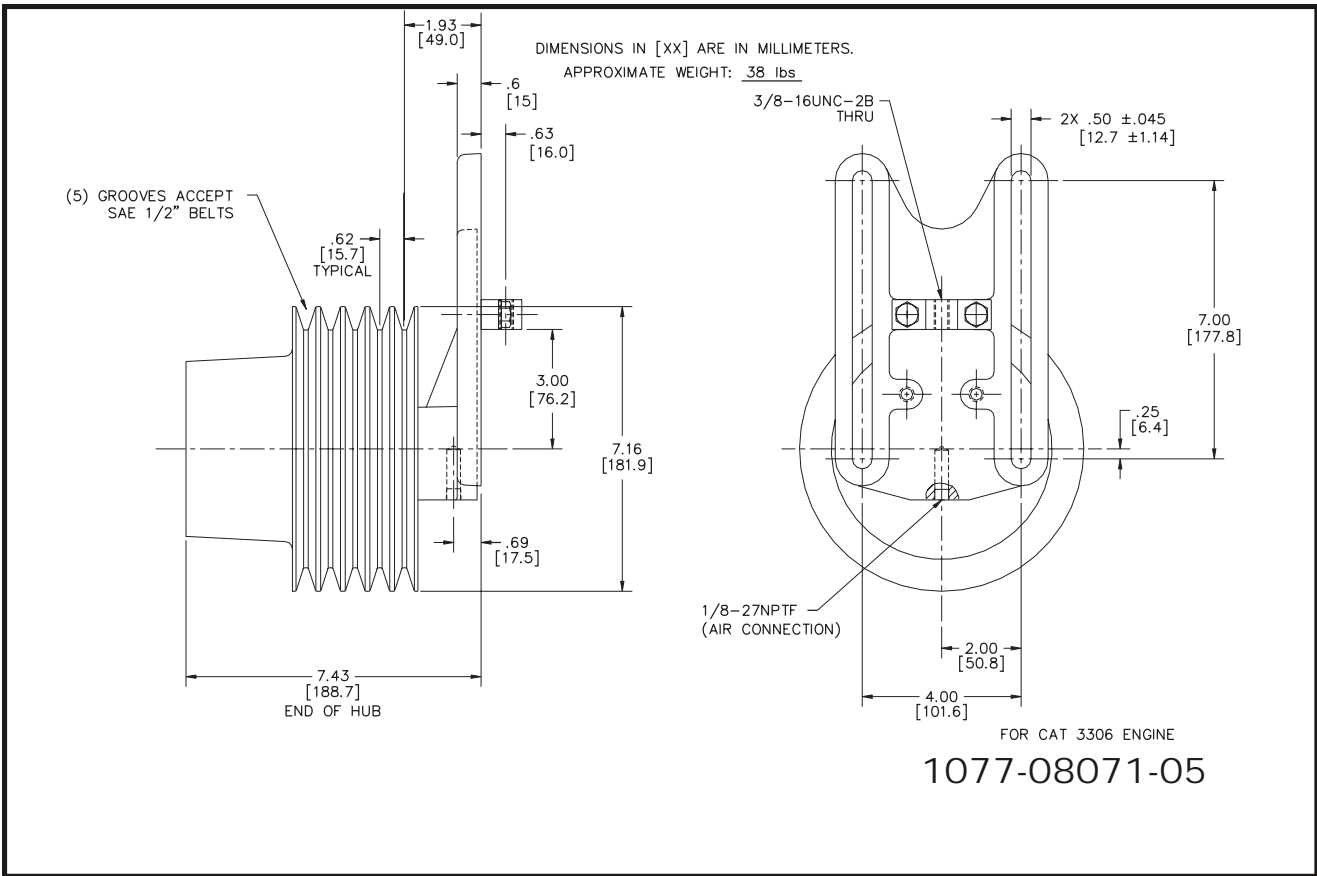


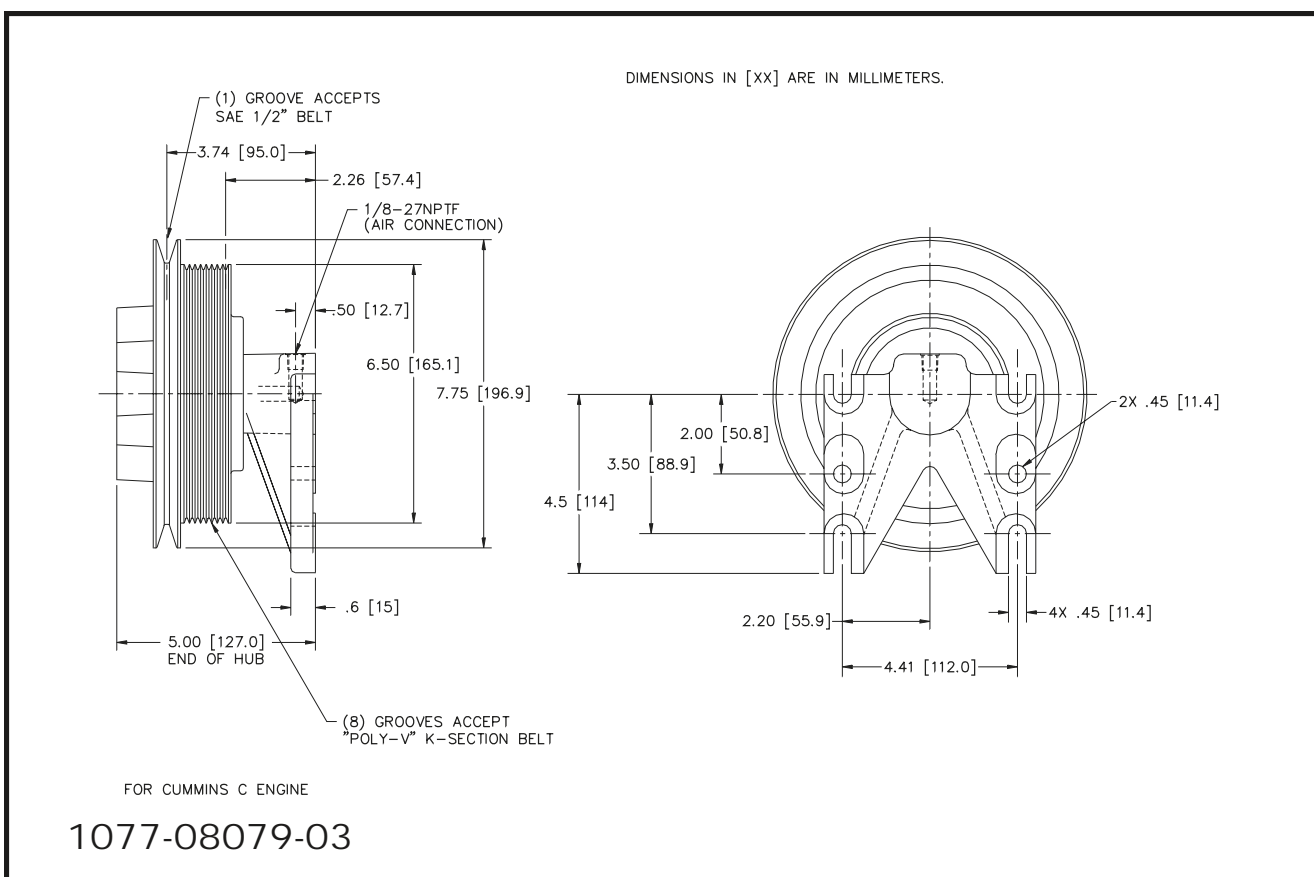
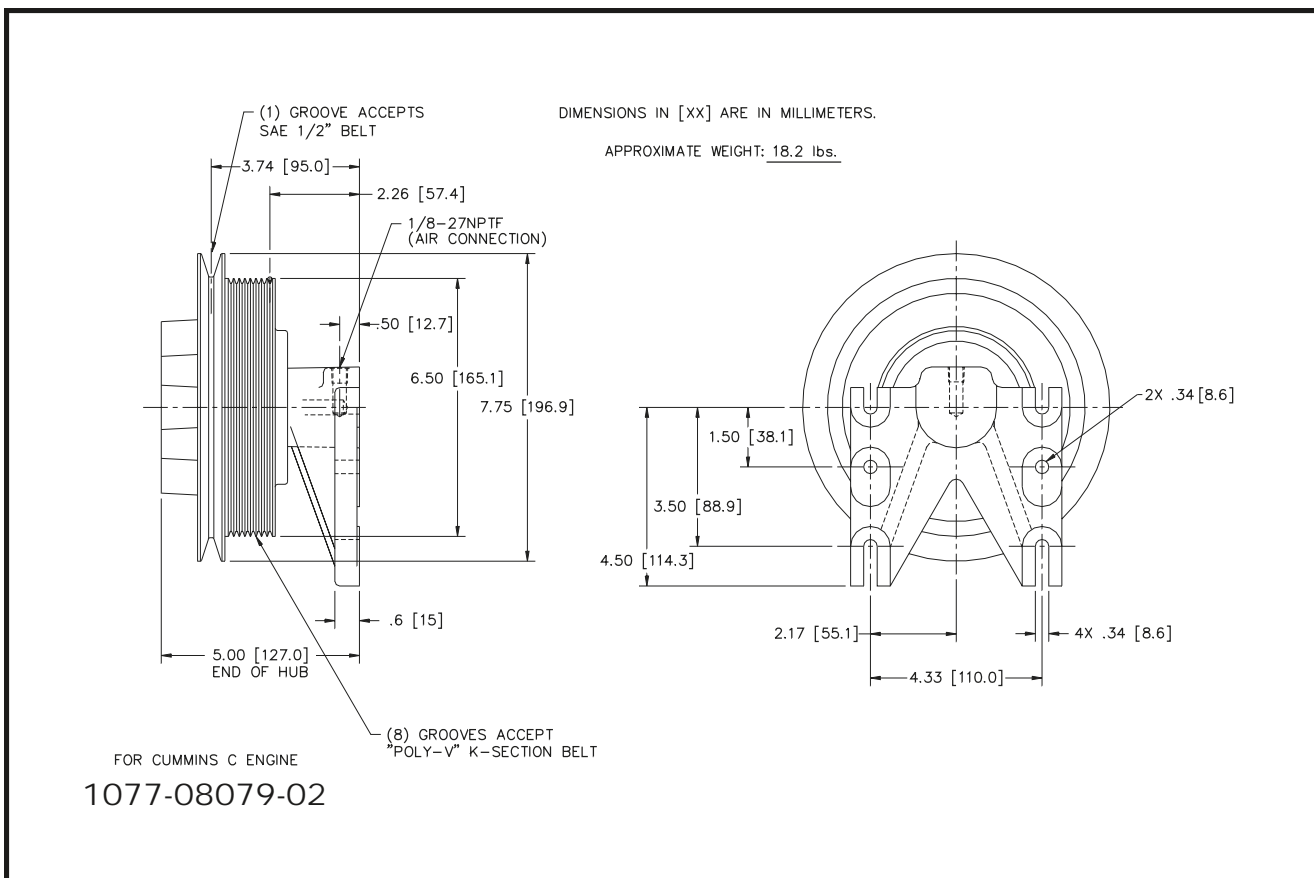




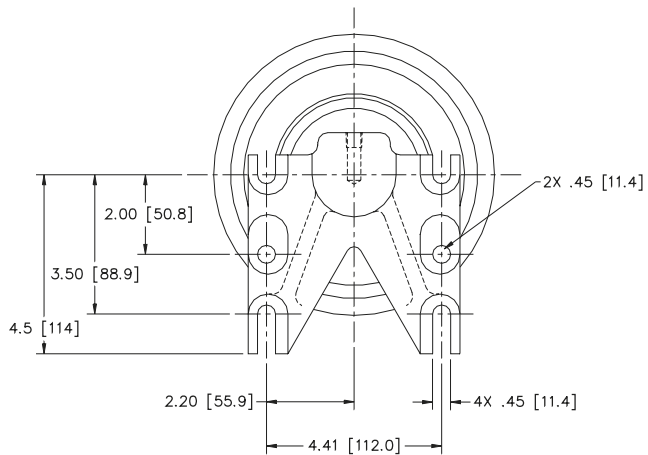
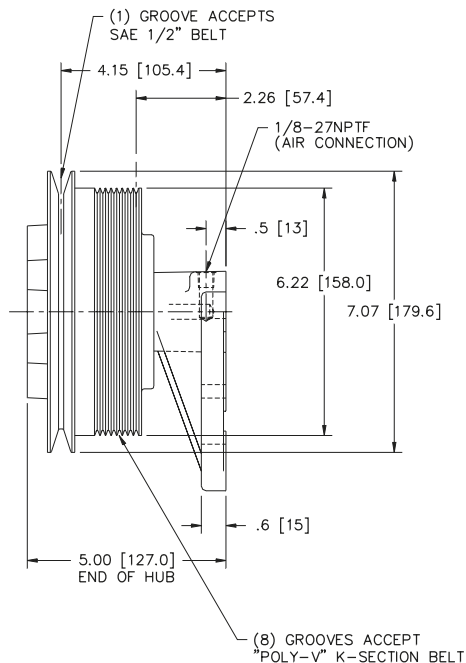








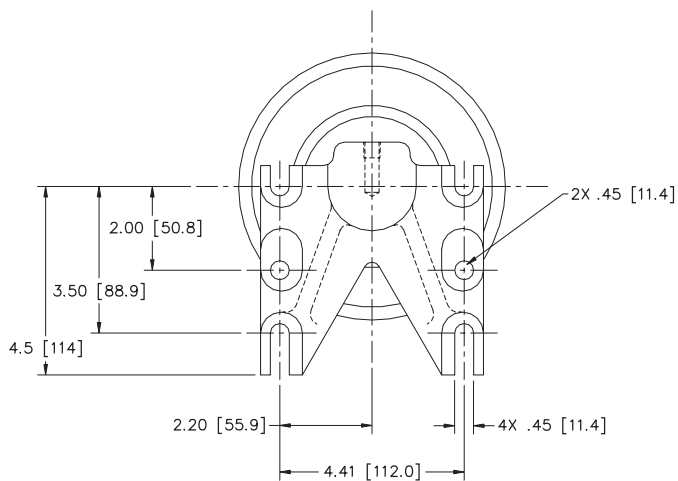
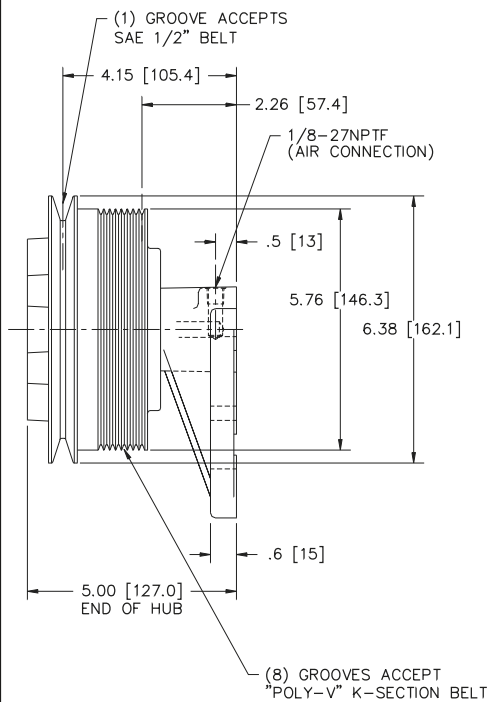
DIMENSIONS IN [XX] ARE IN MILLIMETERS.



FOR CUMMINS C ENGINE

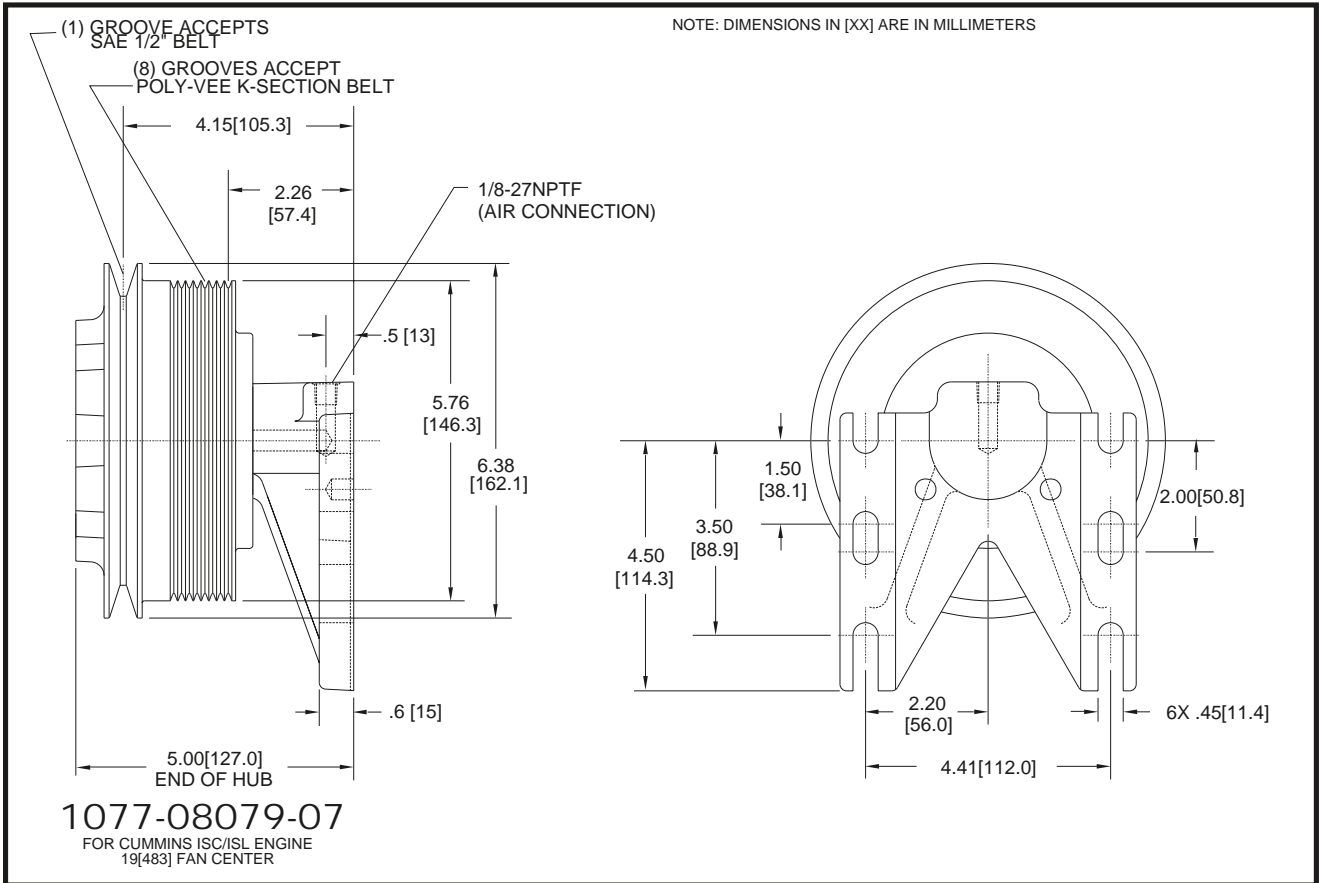
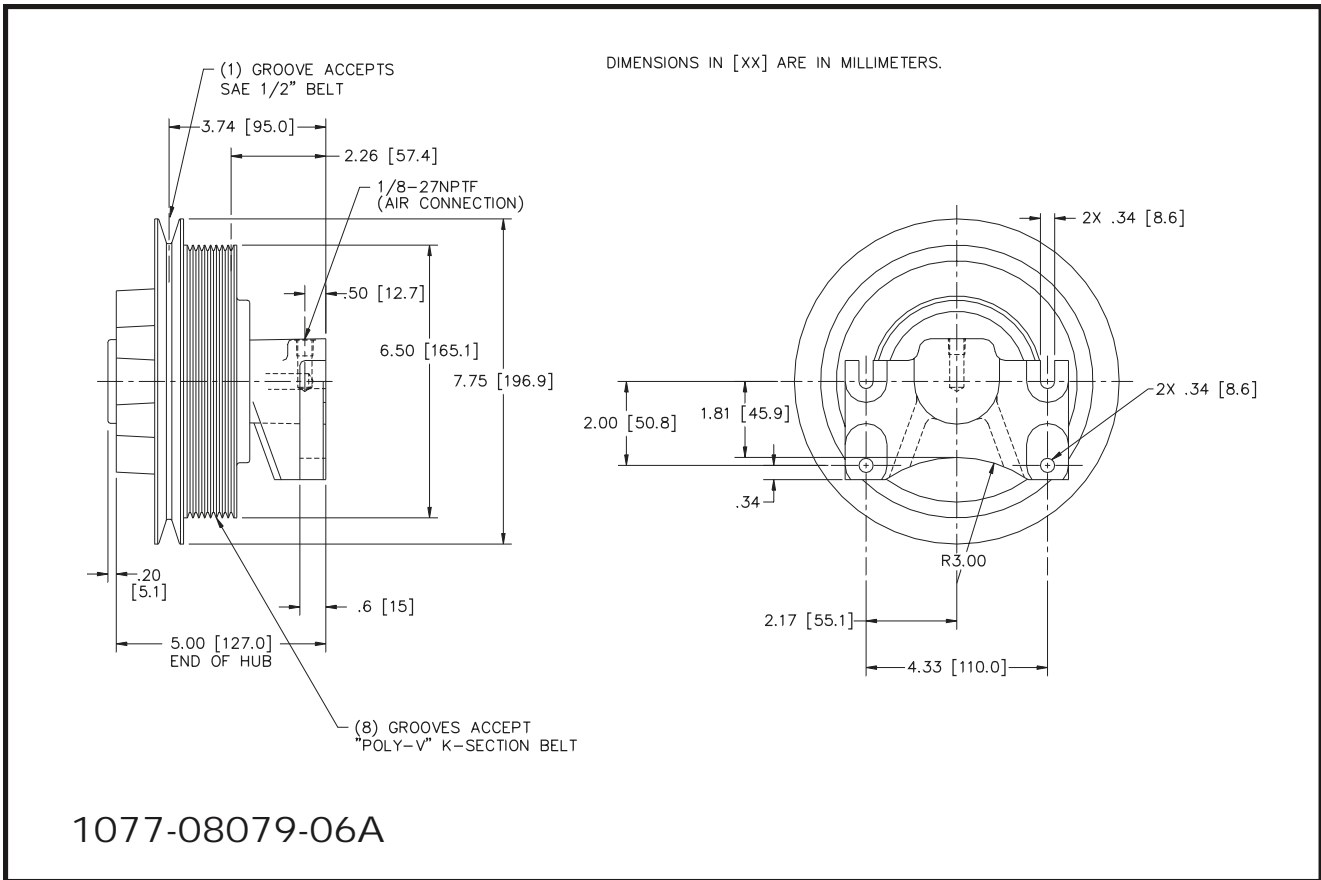
1077-08079-04

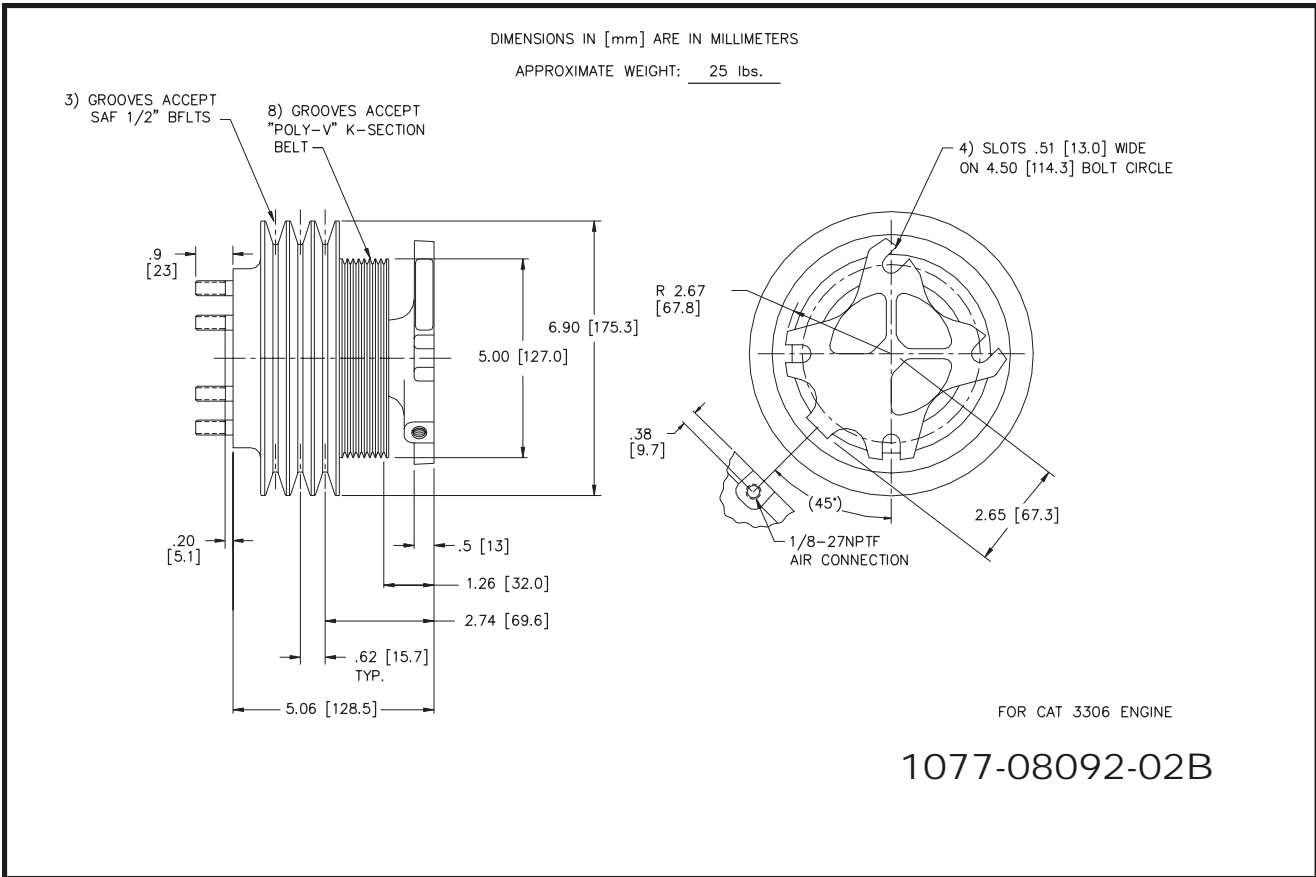
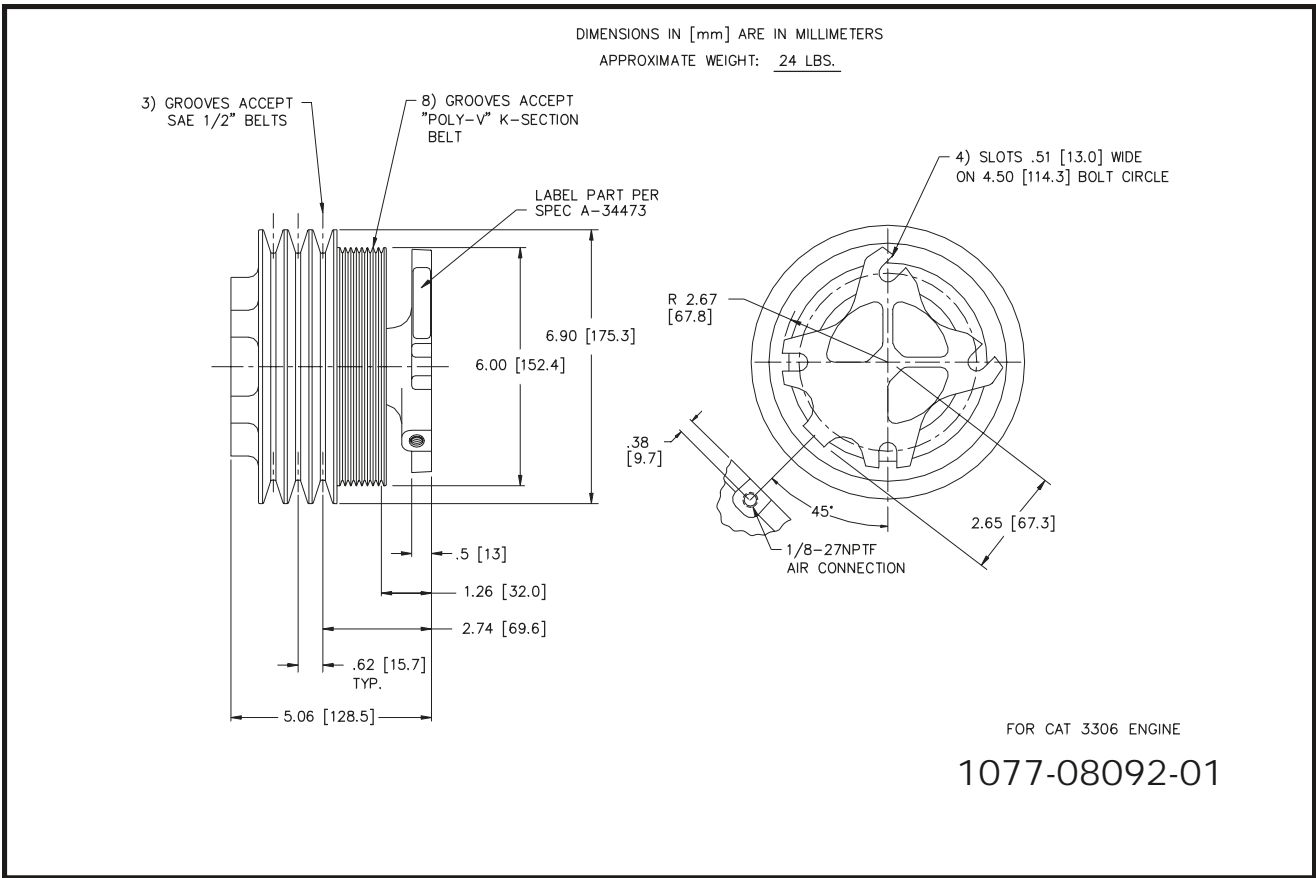
DIMENSIONS IN [XX] ARE IN MILLIMETERS.

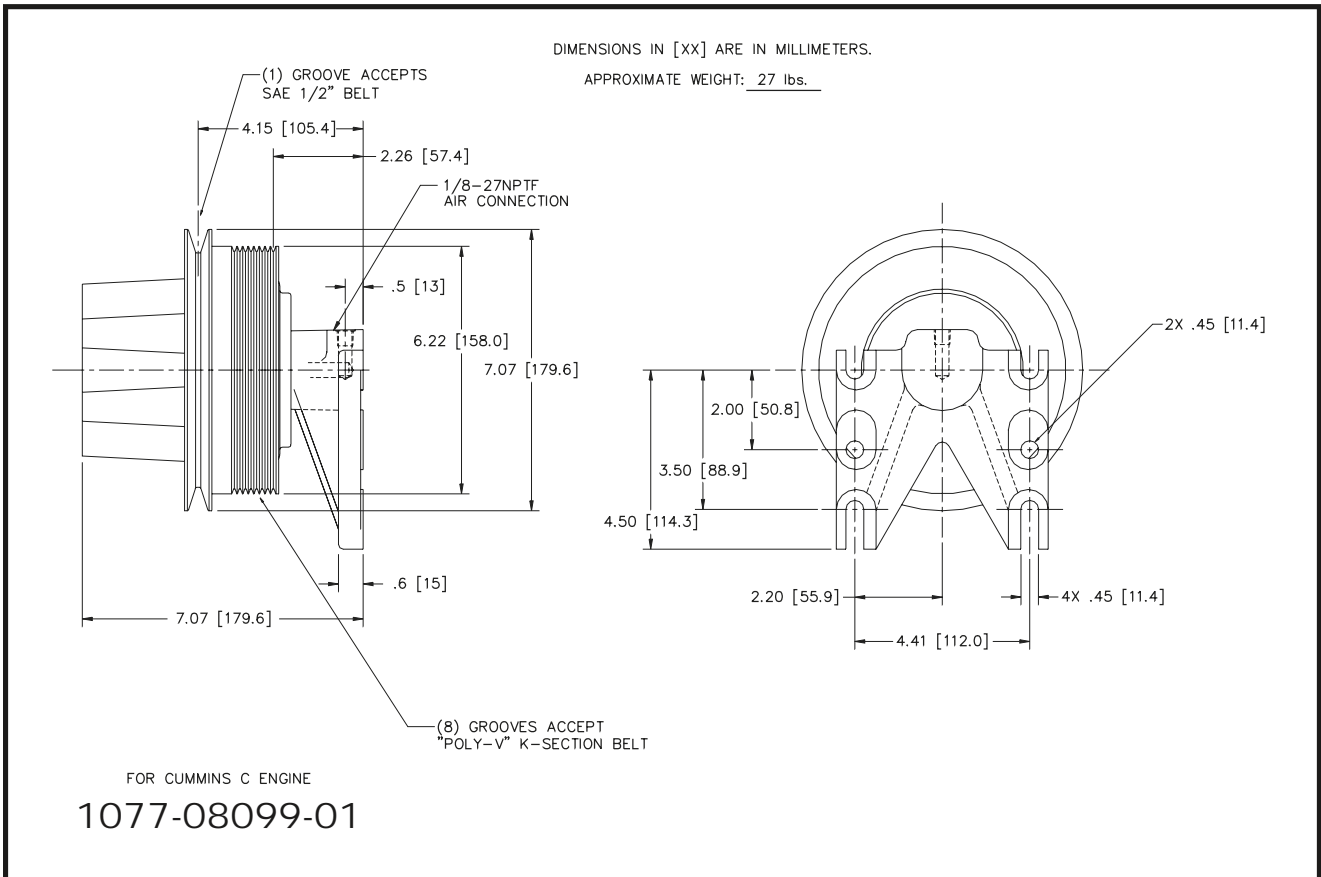
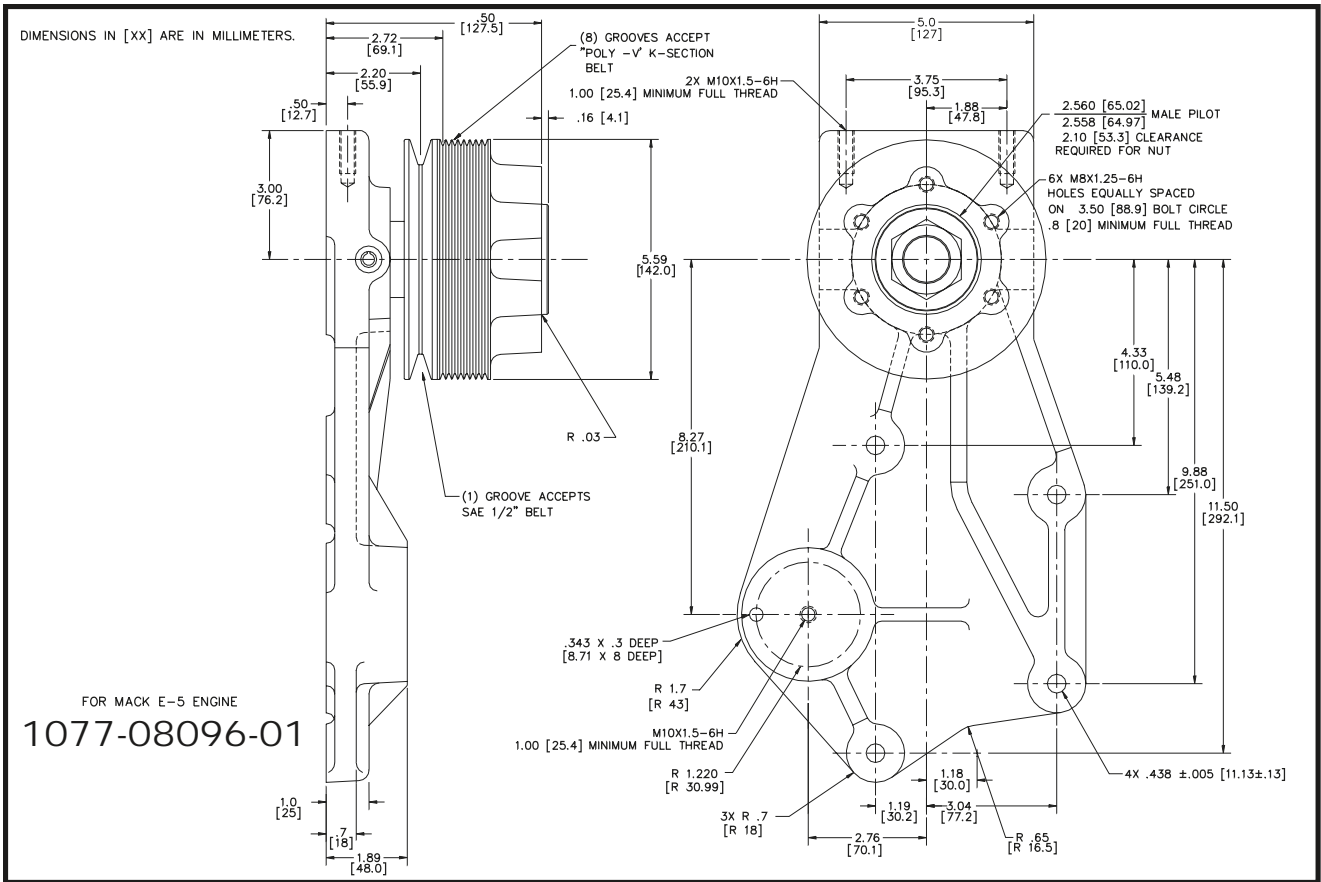


FOR CUMMINS C ENGINE

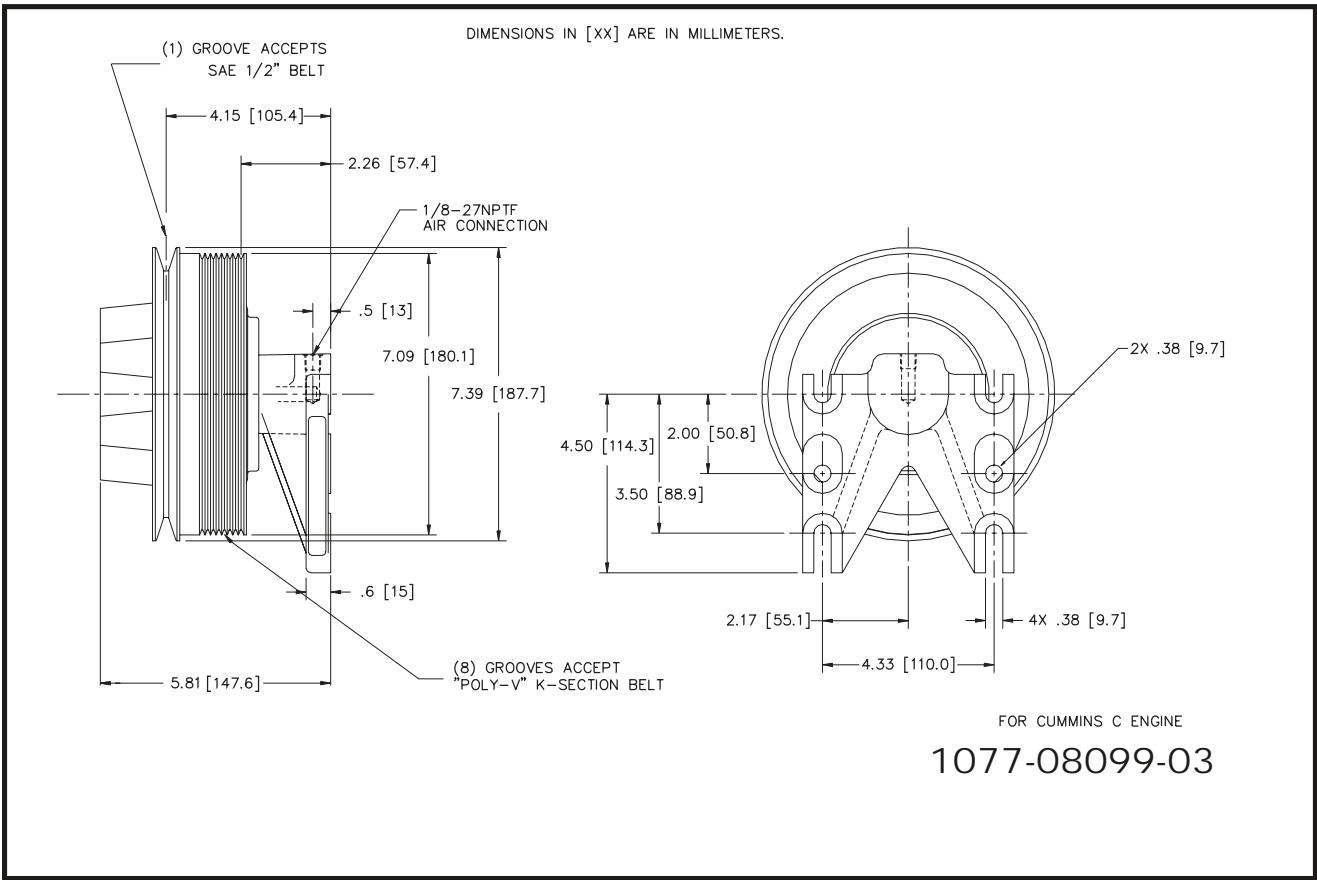
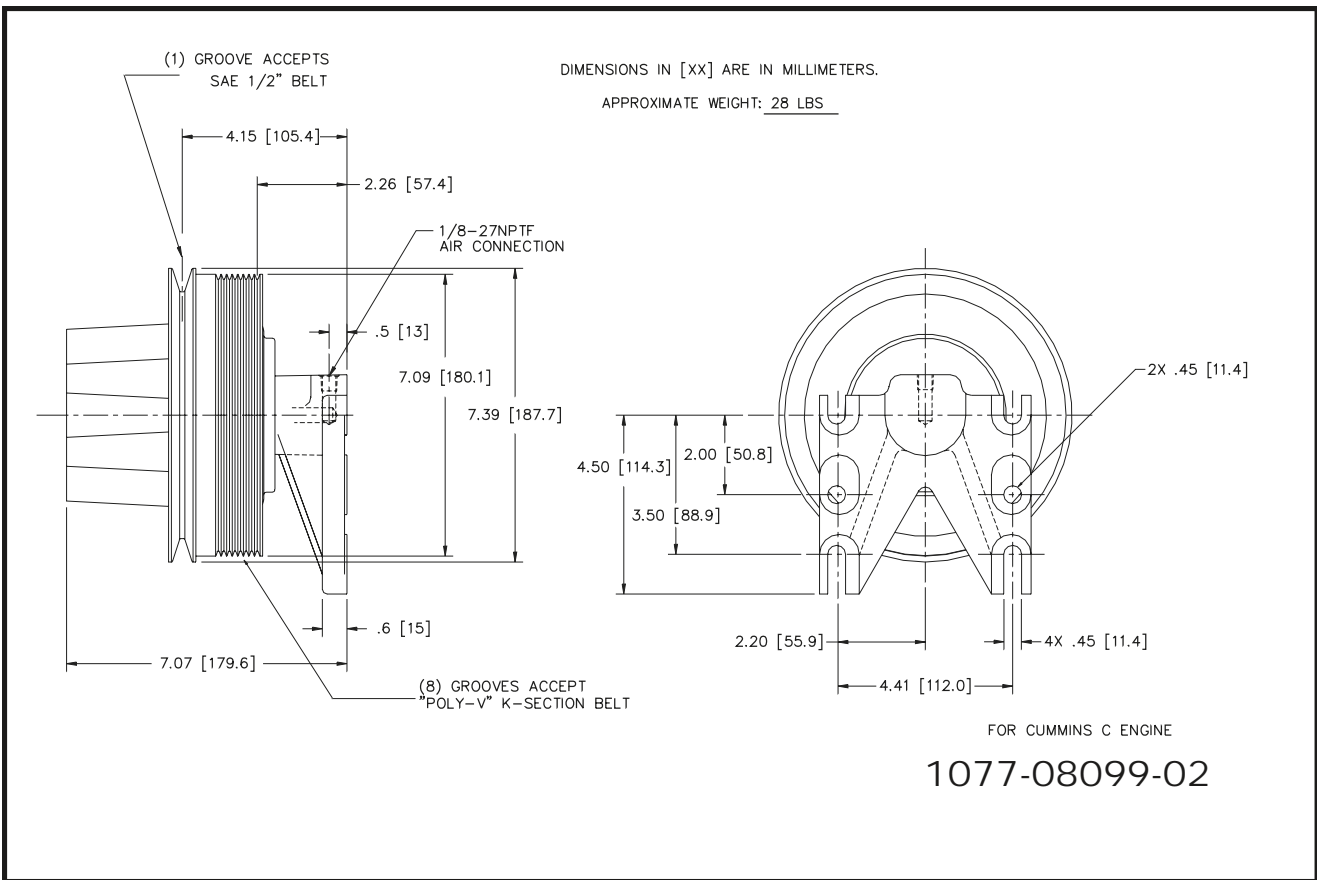
1077-08079-05

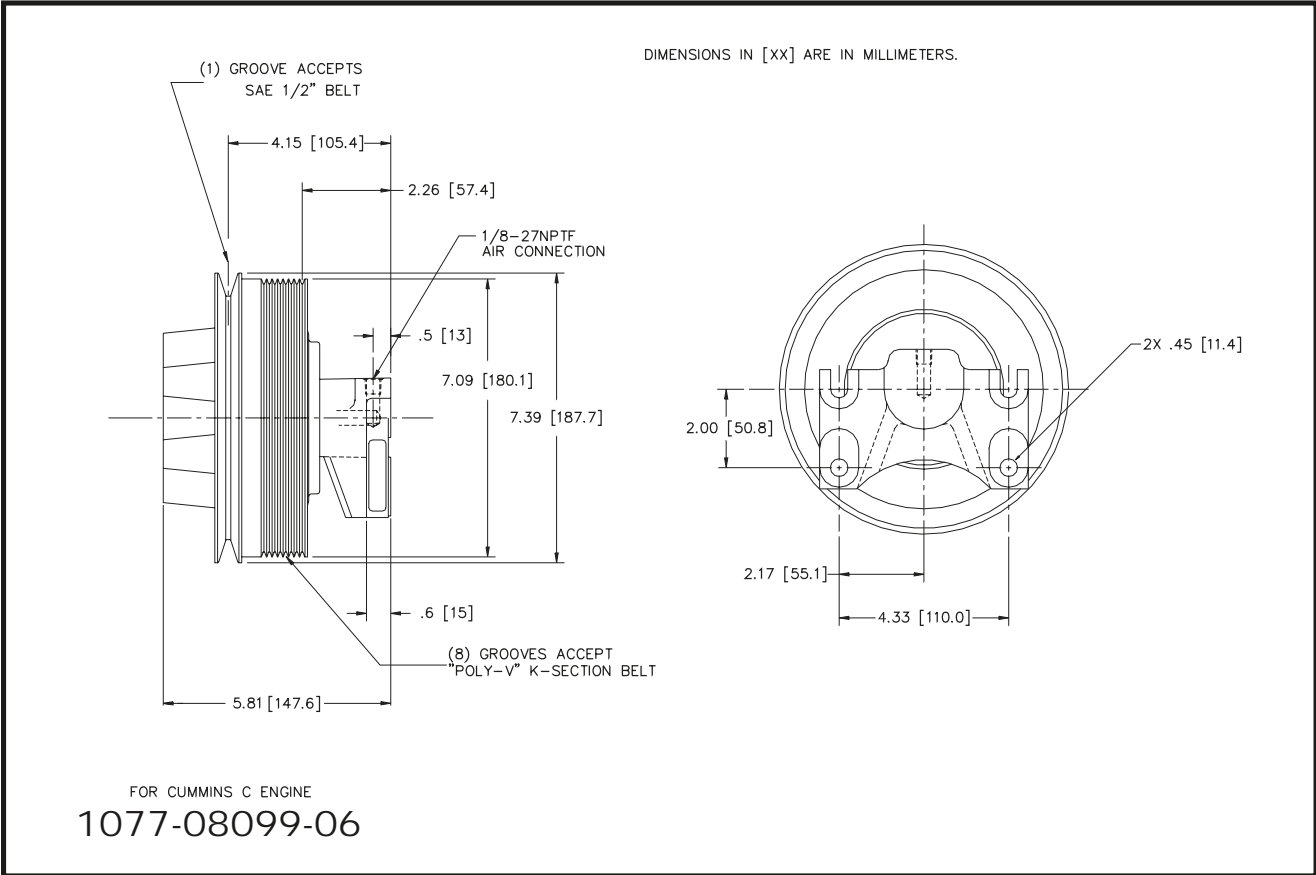
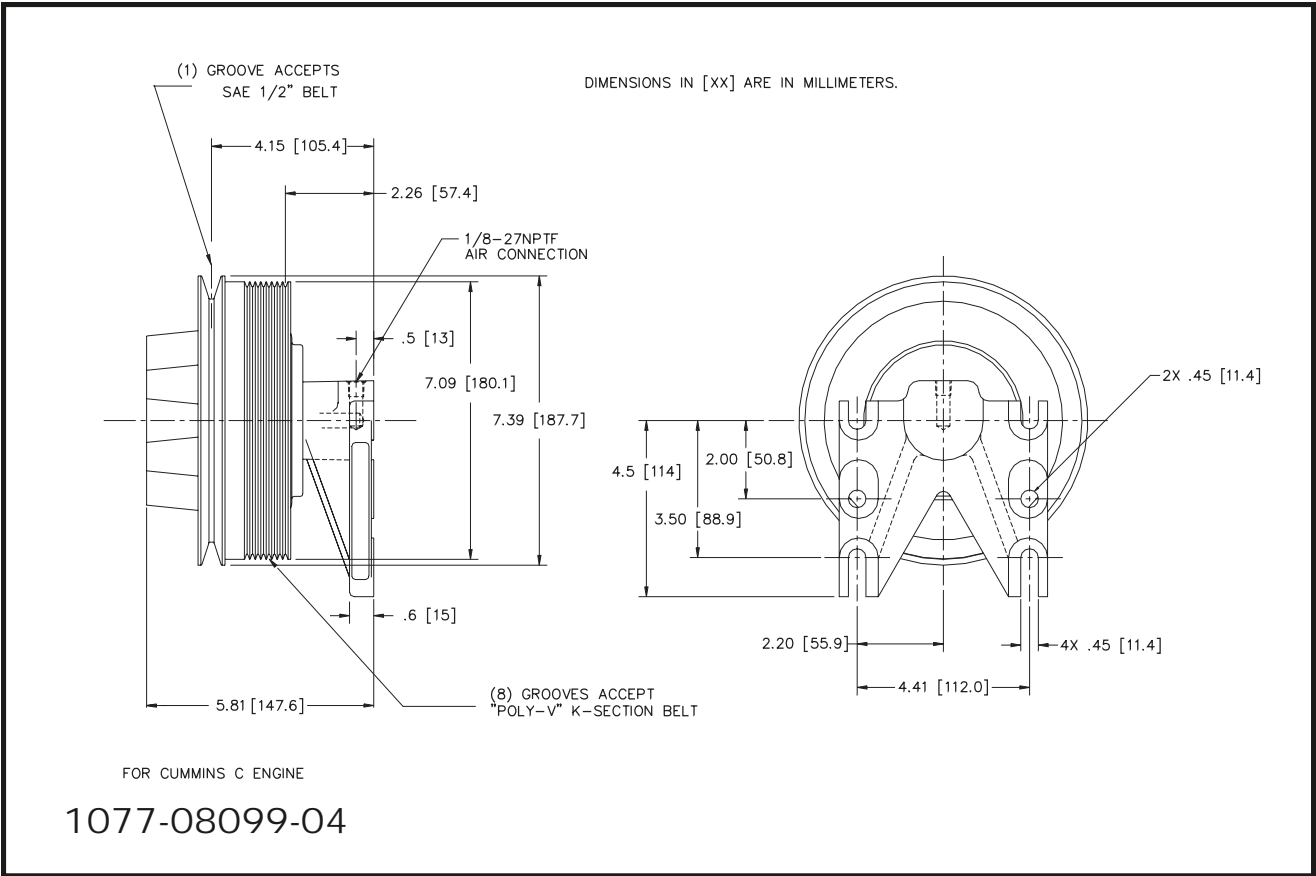


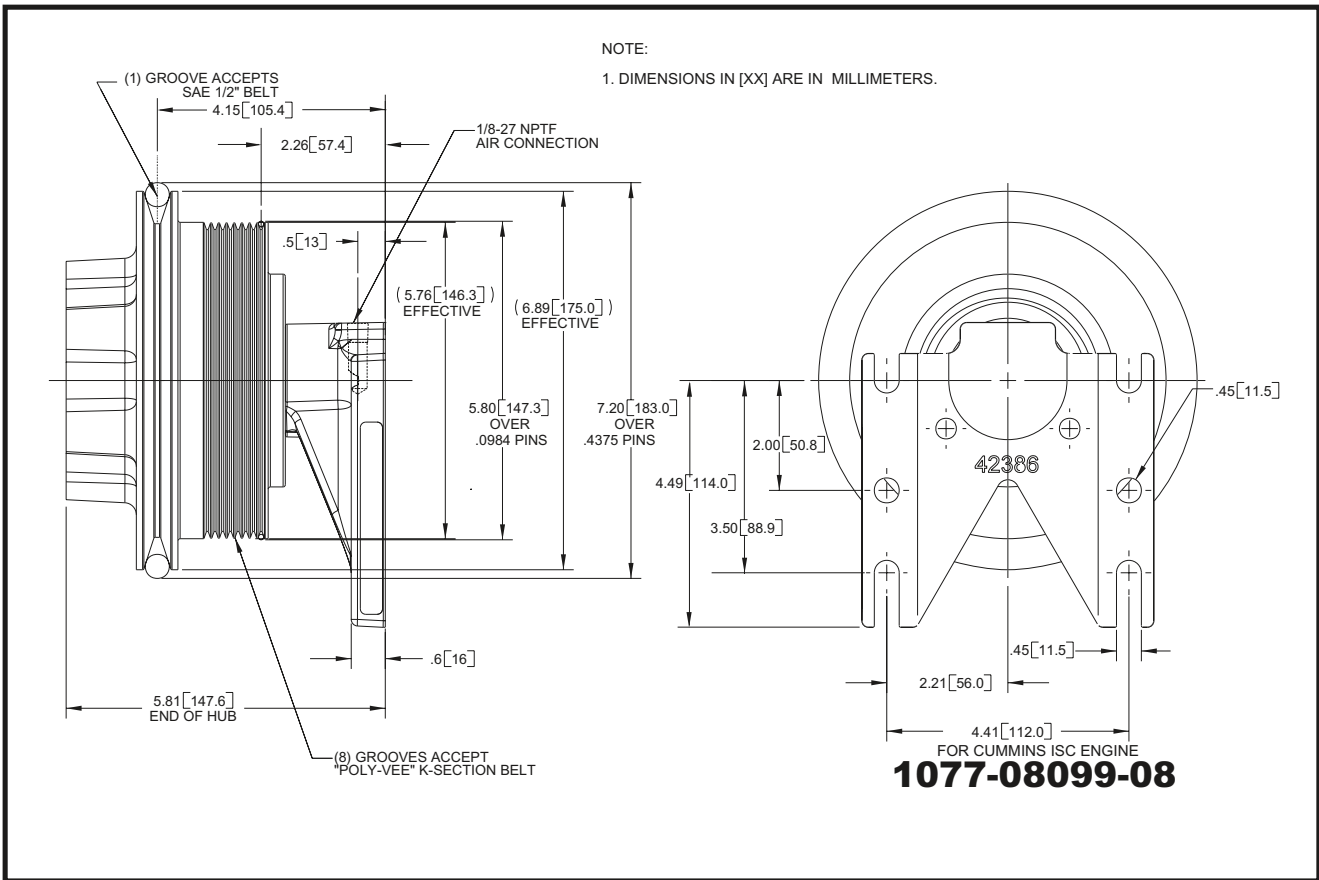
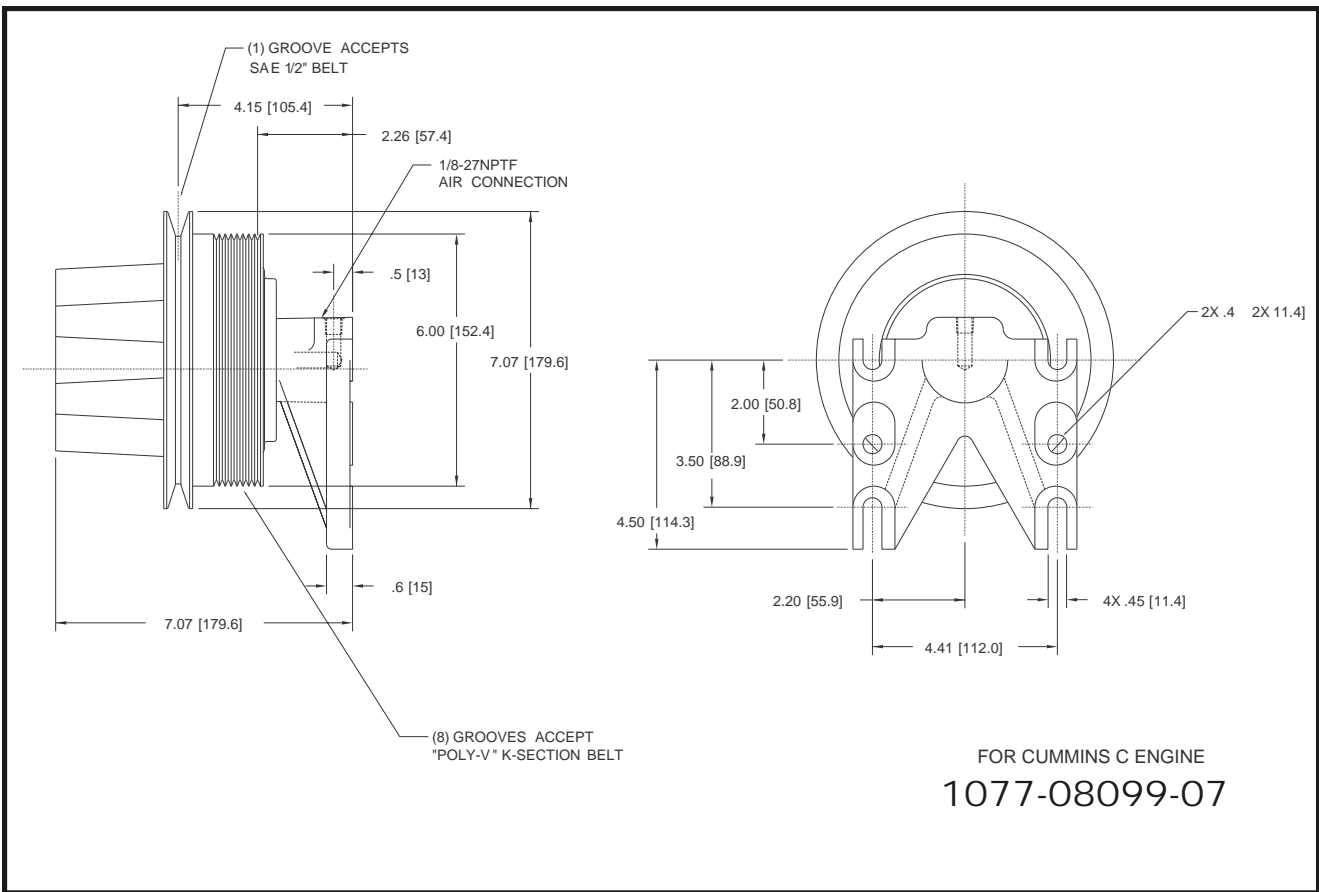


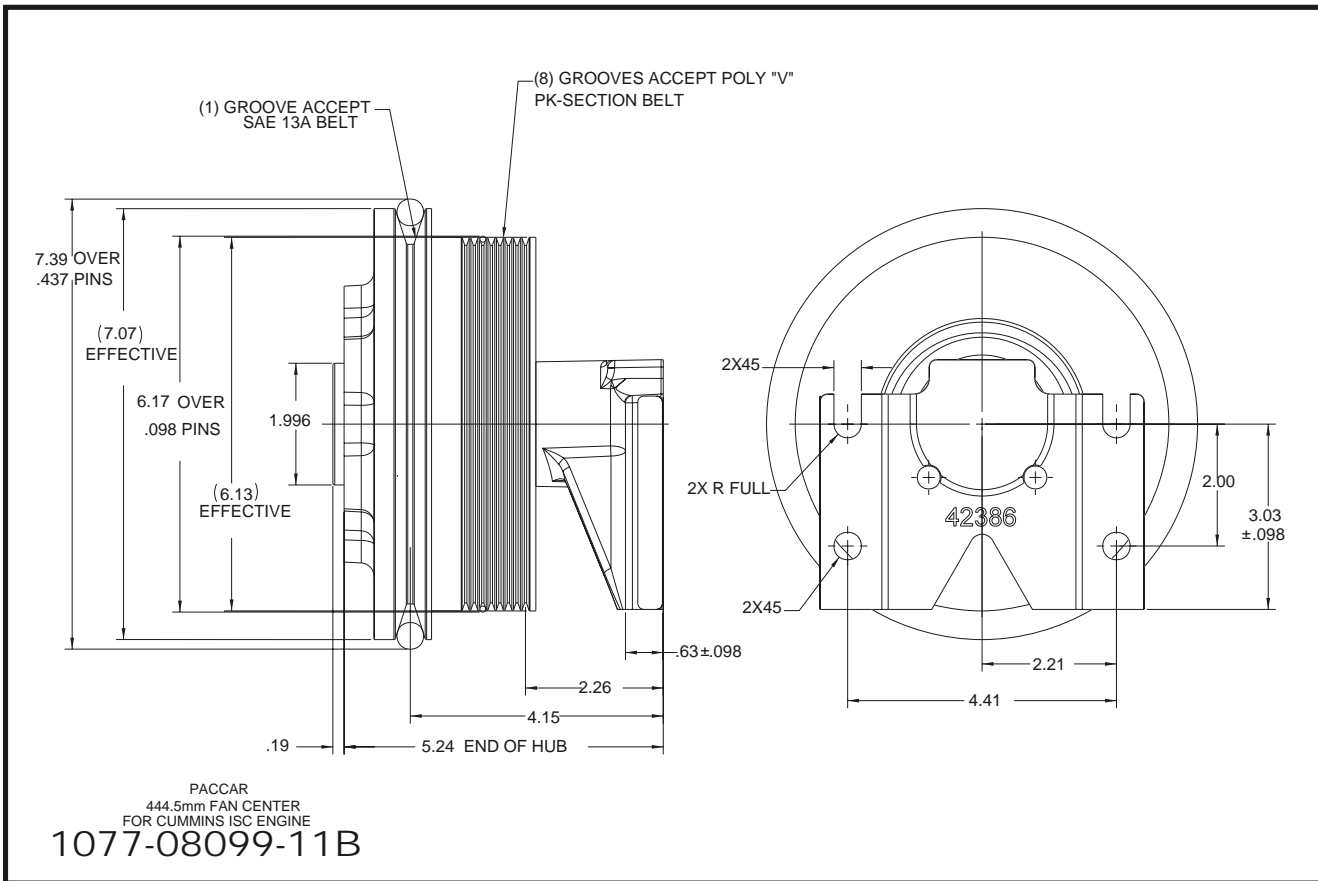
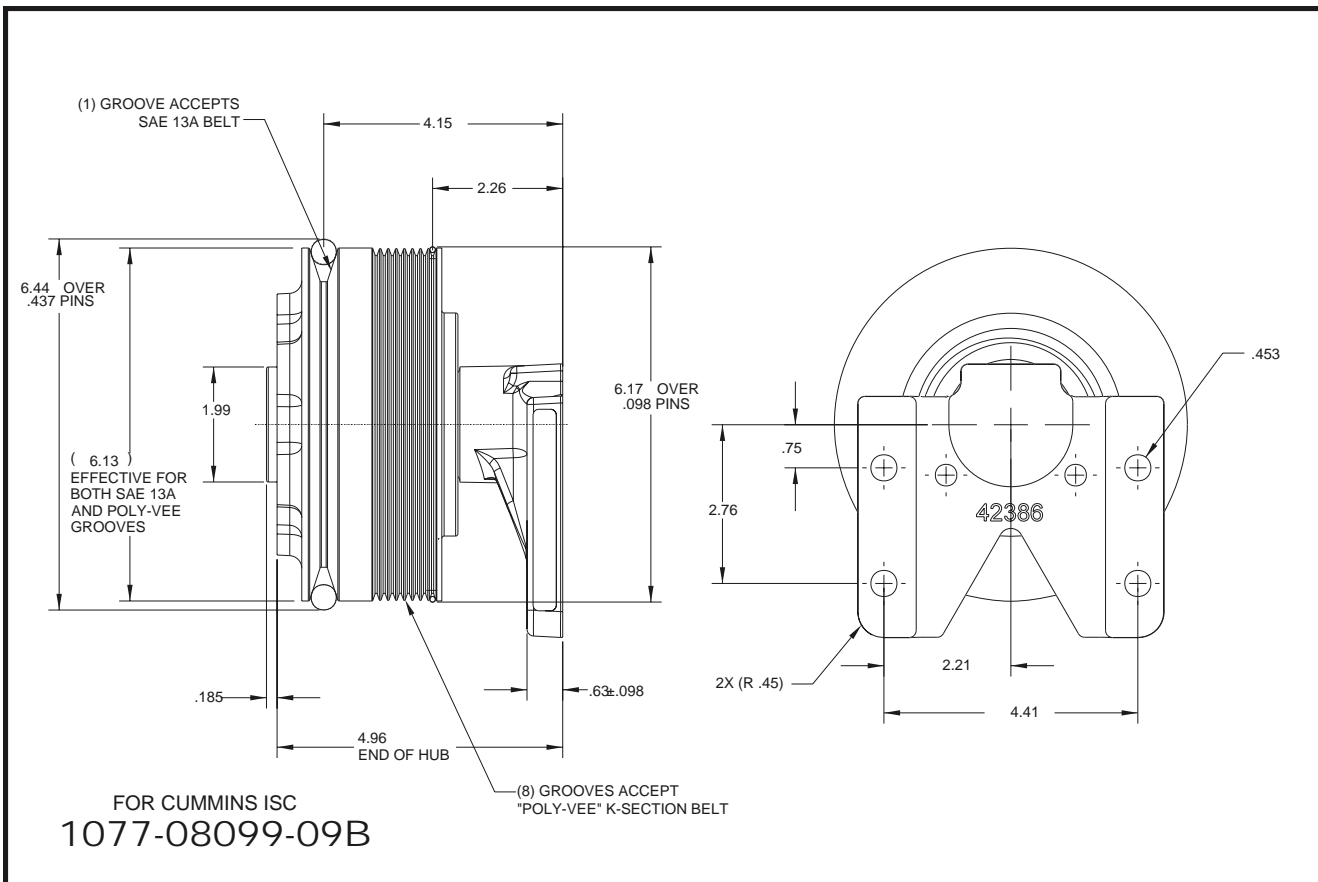






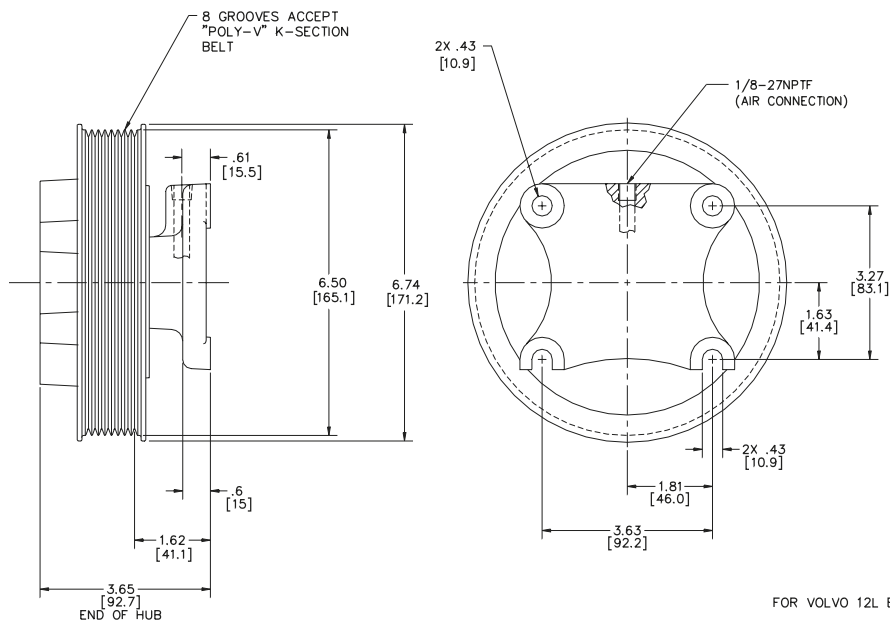






DIMENSIONS IN [XX] ARE IN MILLIMETERS

APPROXIMATE WEIGHT: 25 lbs.

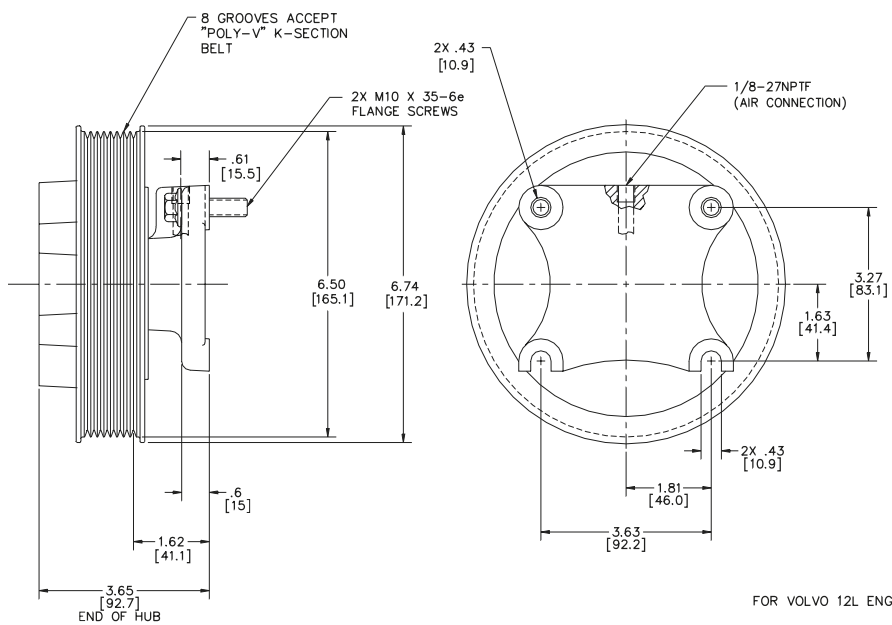


FOR VOLVO 12L ENGINE

1077-08101-01

DIMENSIONS IN [XX] ARE IN MILLIMETERS

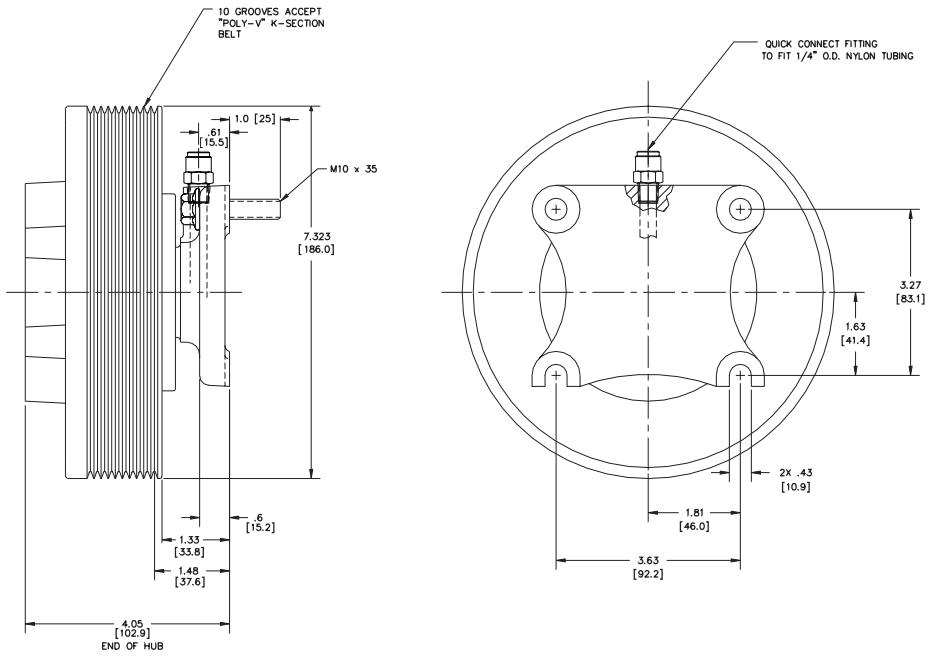
APPROXIMATE WEIGHT: 12 lbs.



FOR VOLVO 12L ENGINE

1077-08101-01A

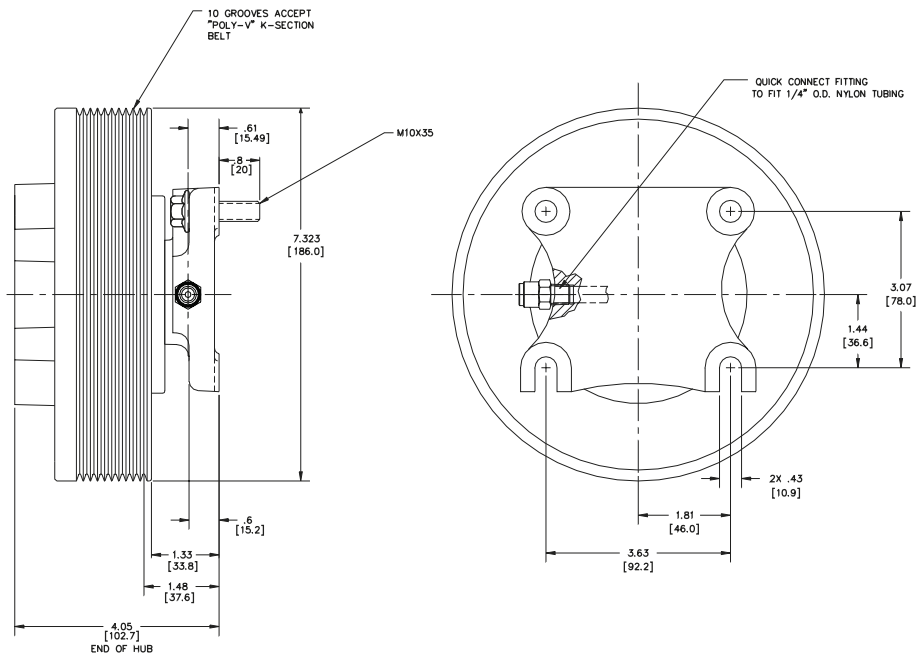
NOTE: DIMENSIONS IN [XX] ARE IN MILLIMETERS



FOR VOLVO 12L ENGINE/CUMMINS M11

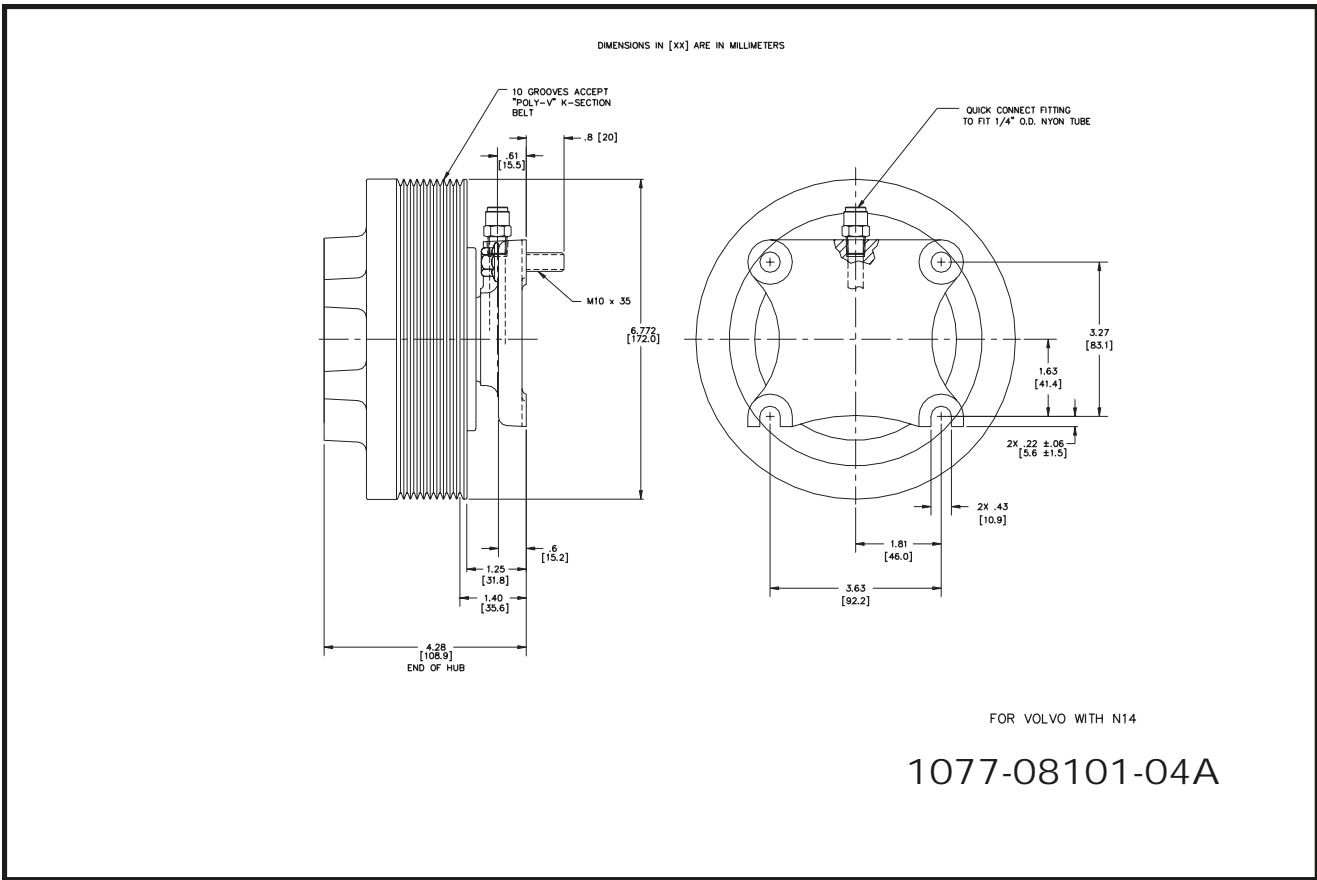
1077-08101-02A

DIMENSIONS IN [XX] ARE IN MILLIMETERS

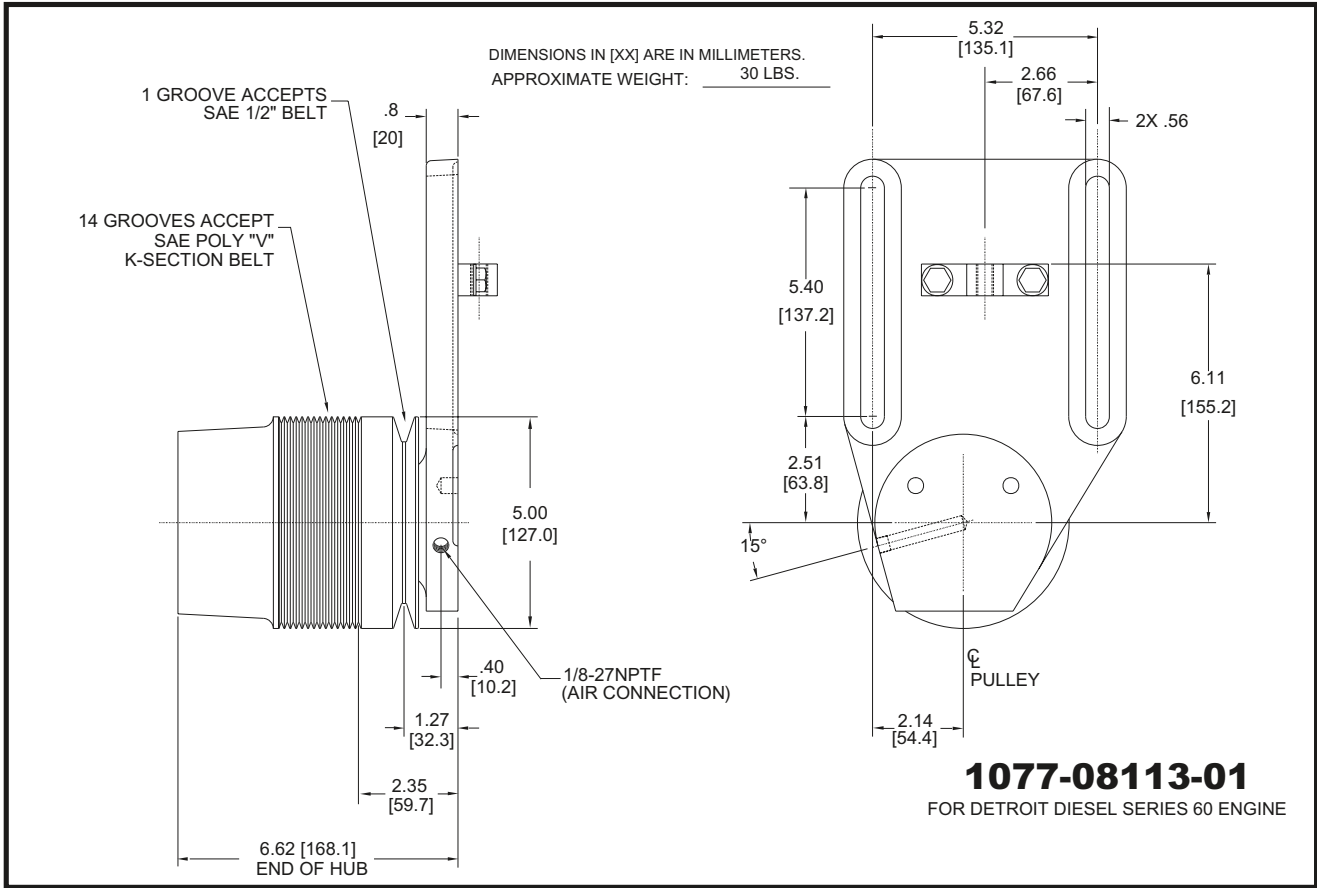


FOR VOLVO 12L ENGINE/CUMMINS M11  
& DETROIT DIESEL SERIES 60

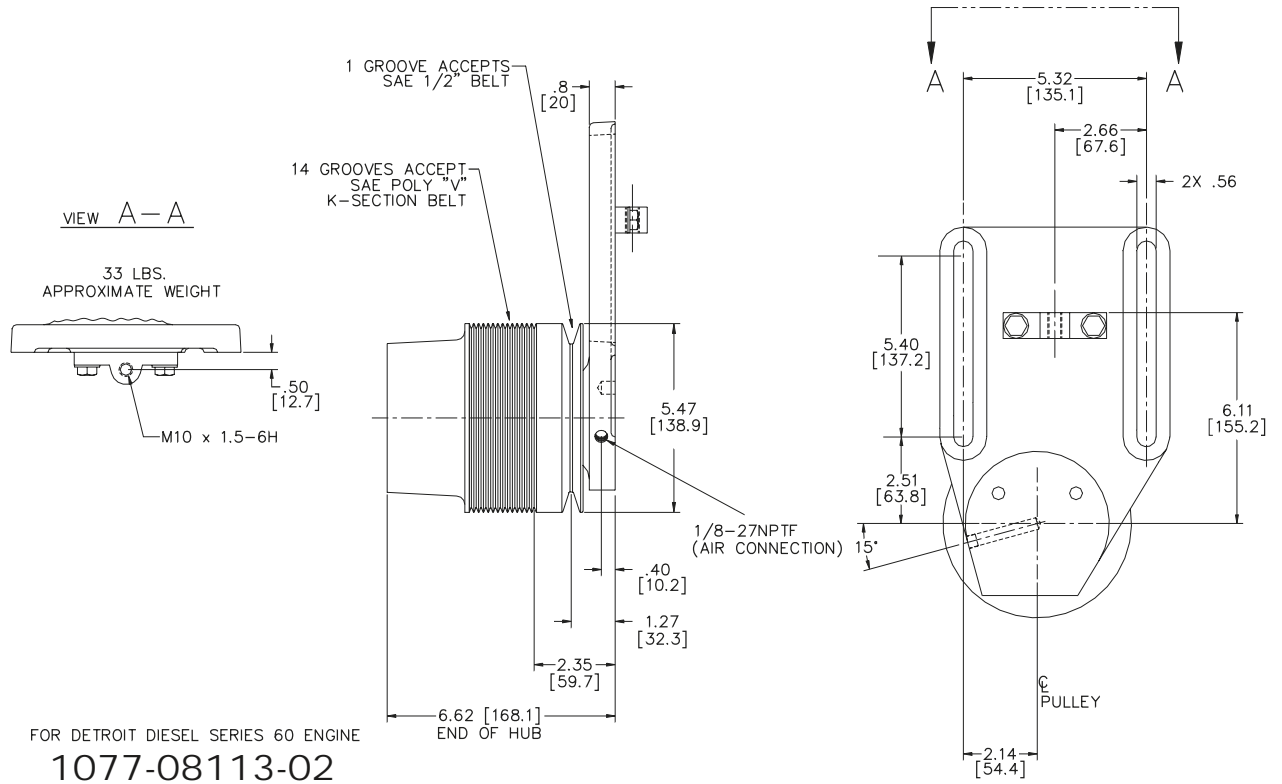
1077-08101-03A



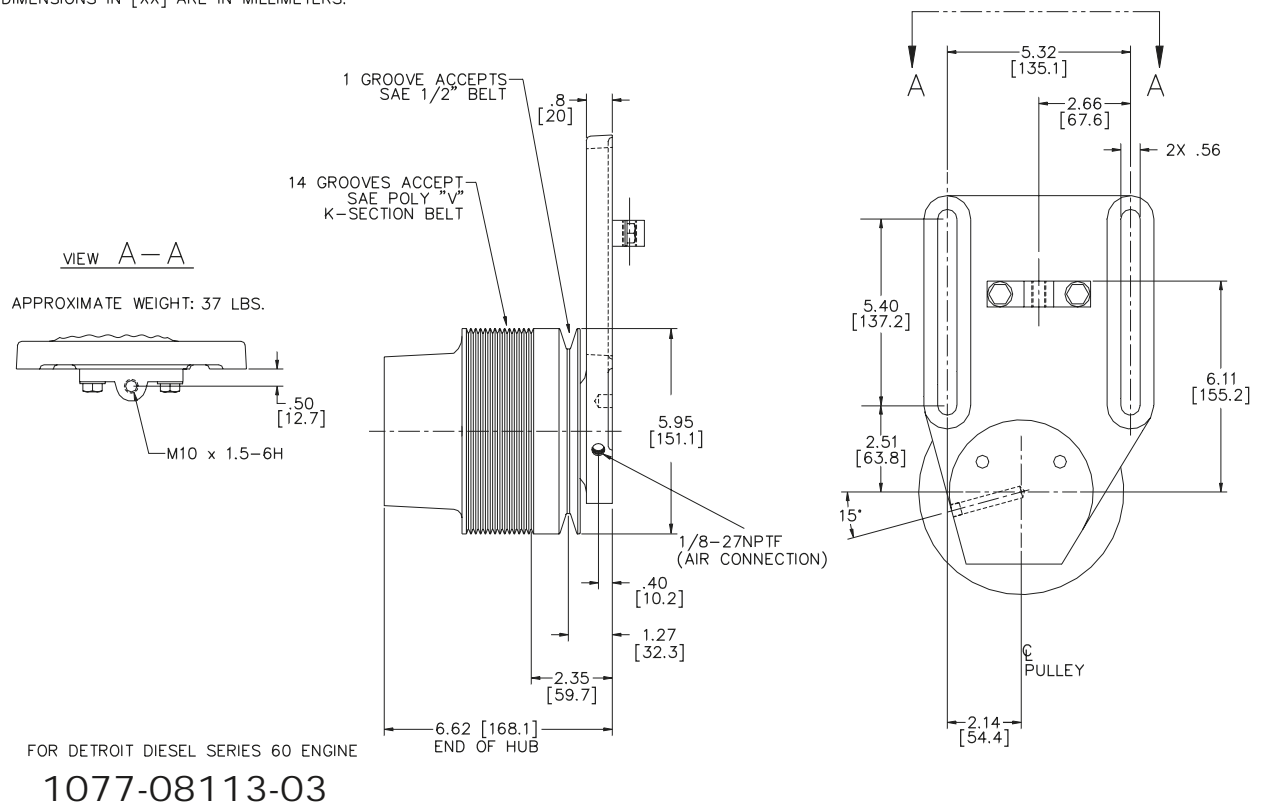
1077-08101-05A and 1007-08101-06A outlines not available



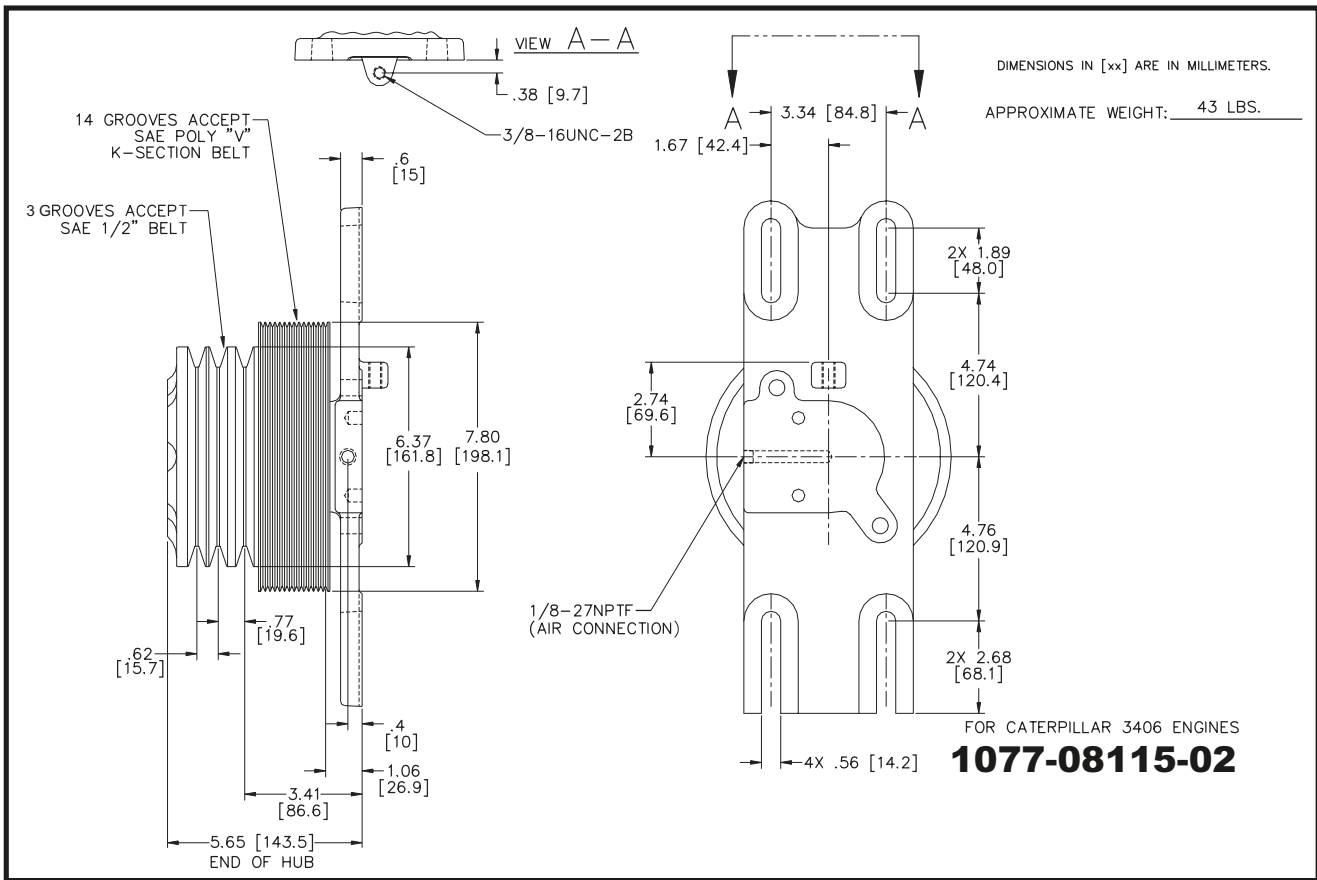
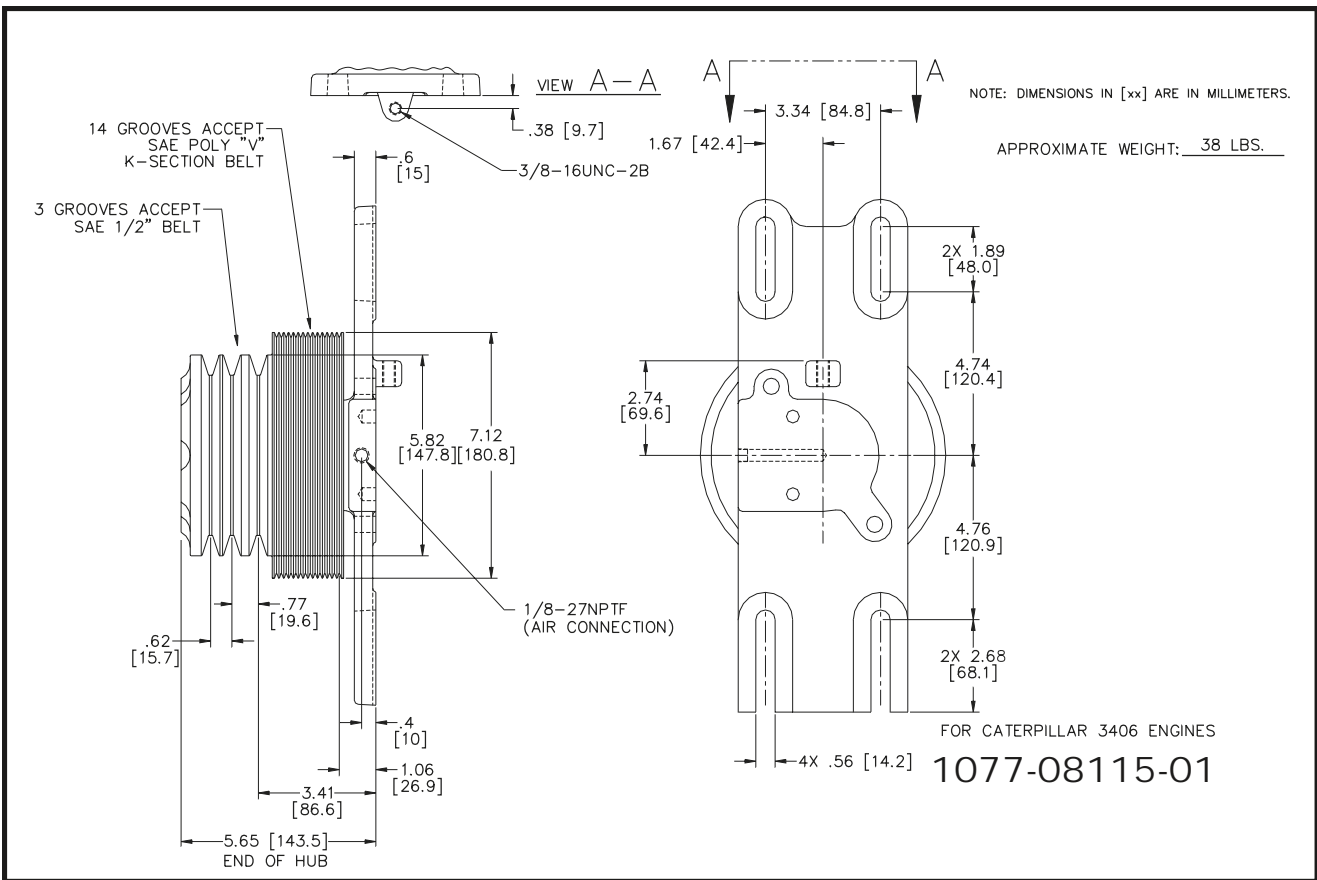
DIMENSIONS IN [XX] ARE IN MILLIMETERS.

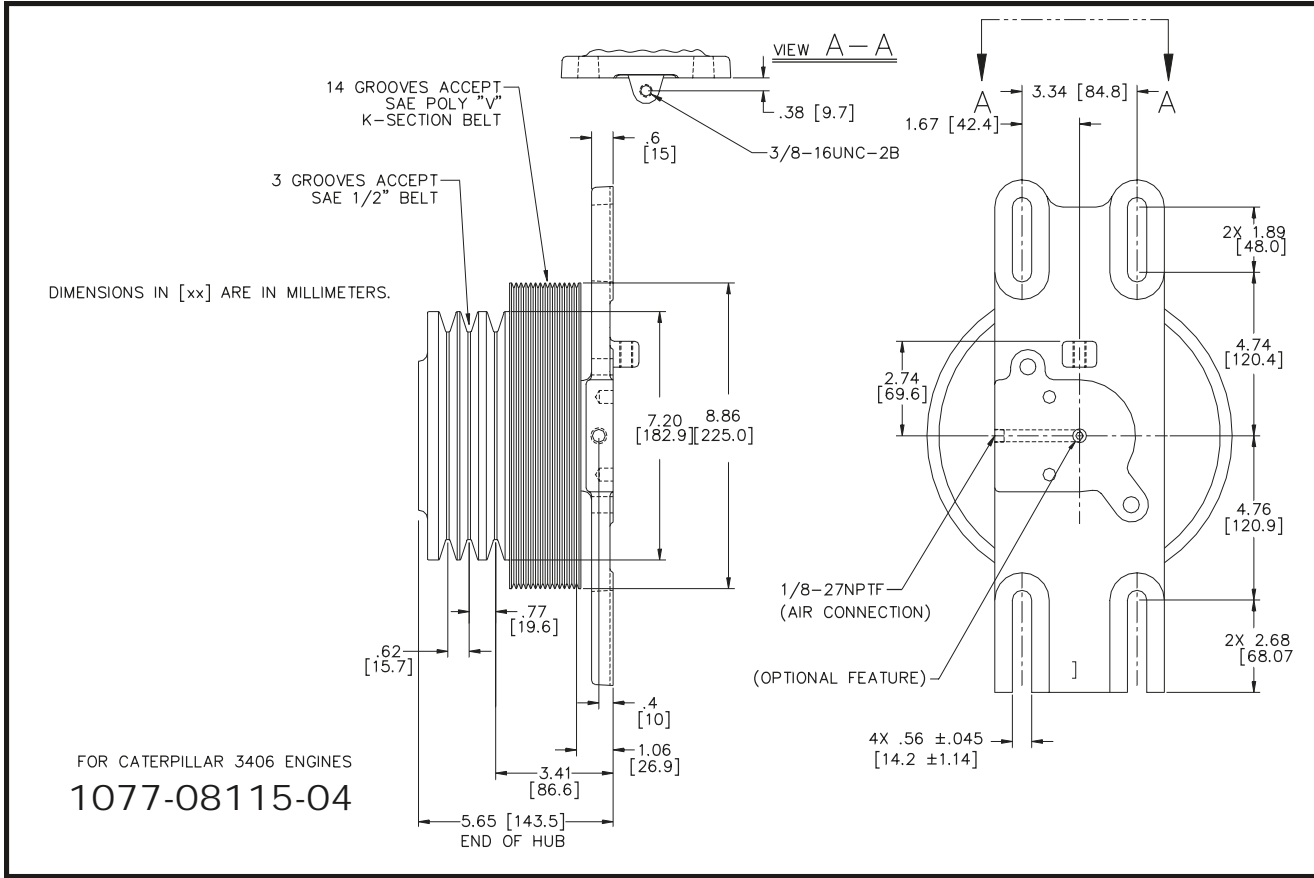
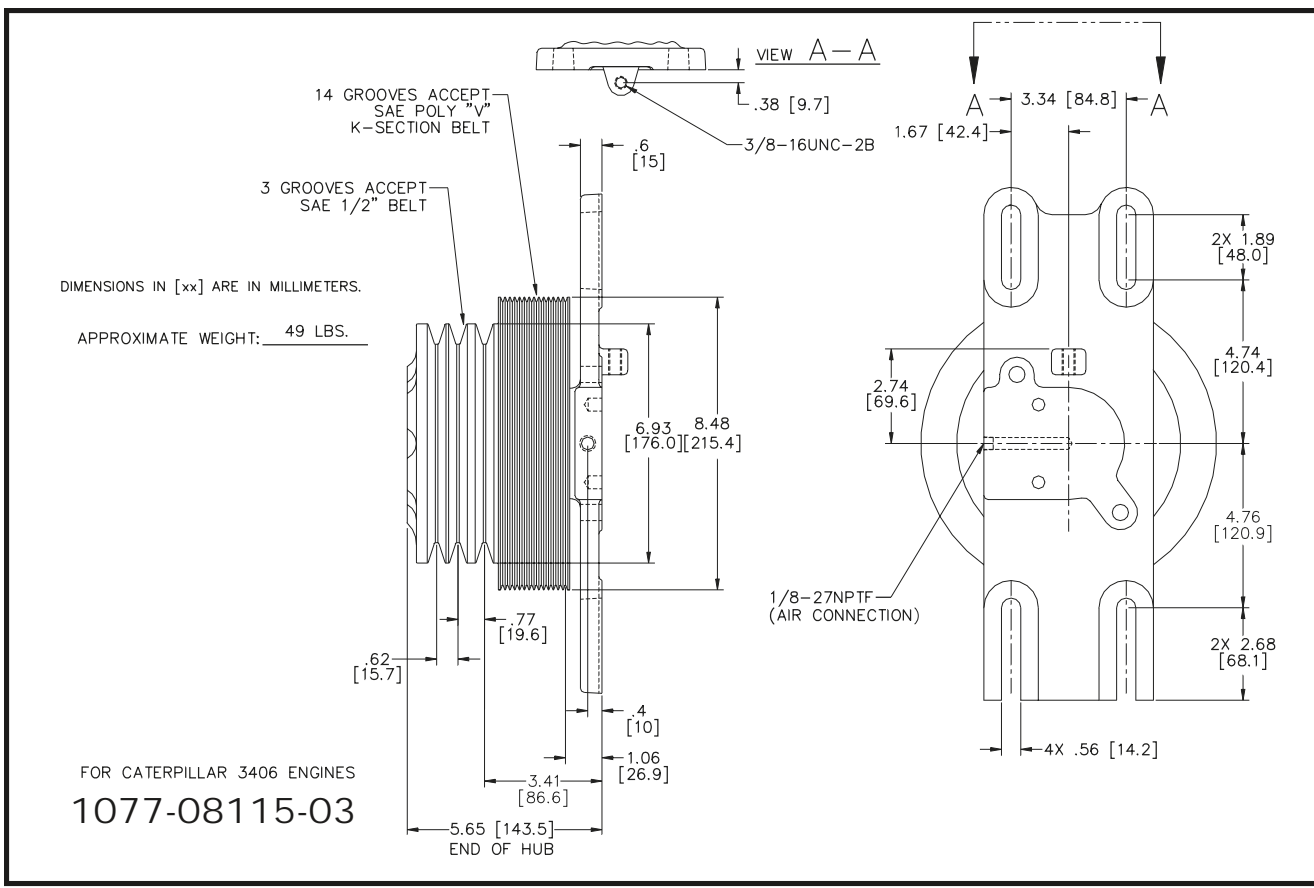


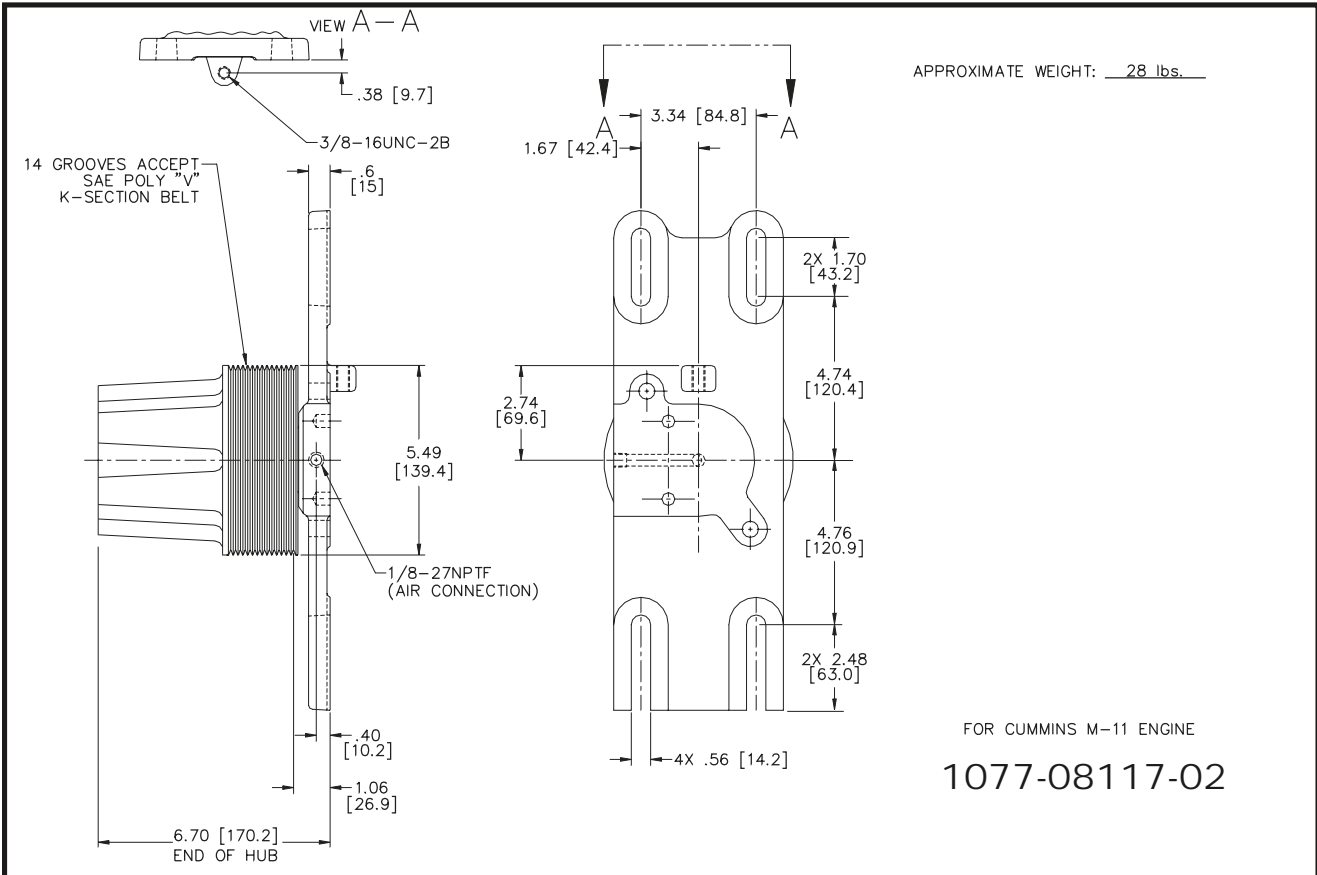
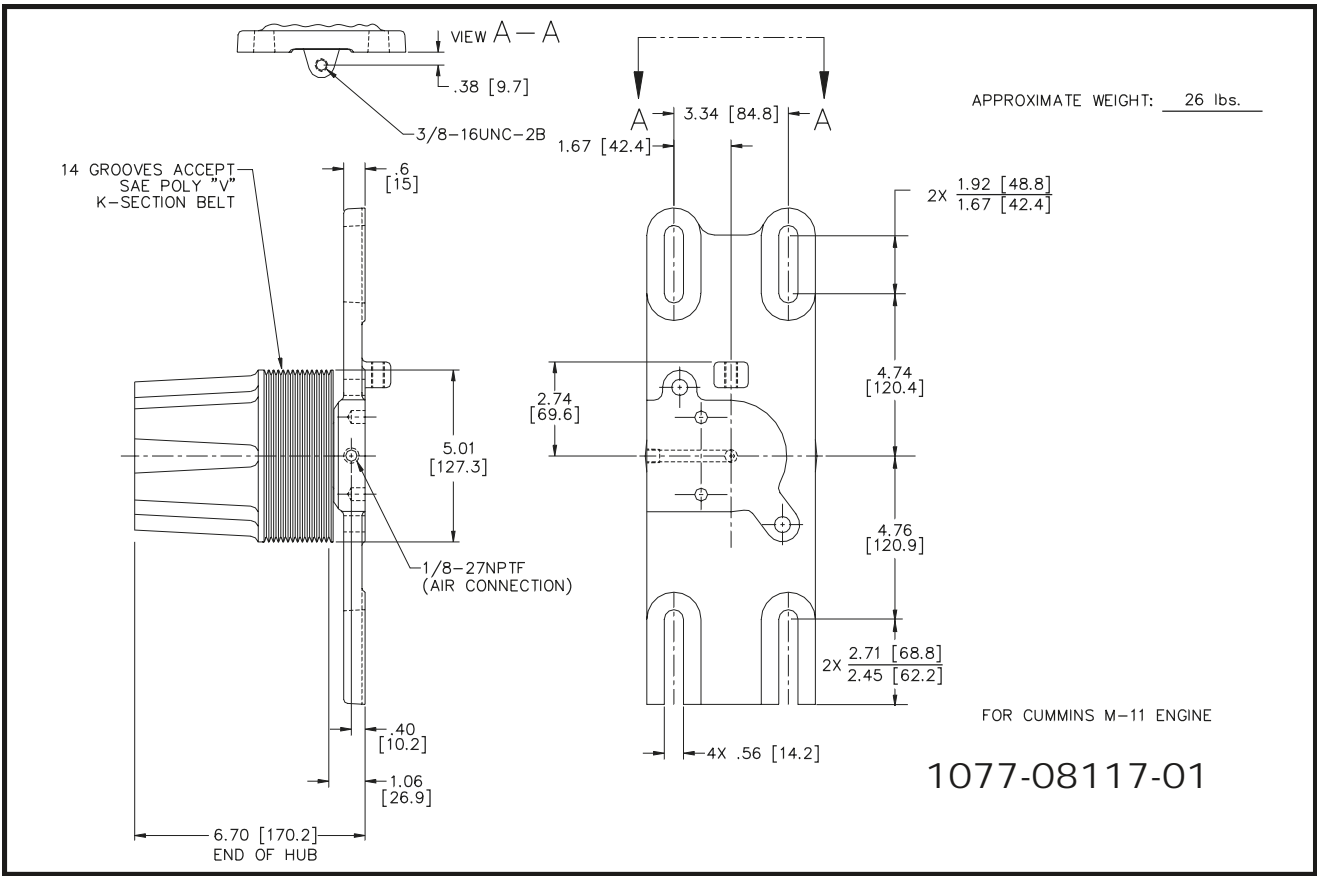
DIMENSIONS IN [XX] ARE IN MILLIMETERS.

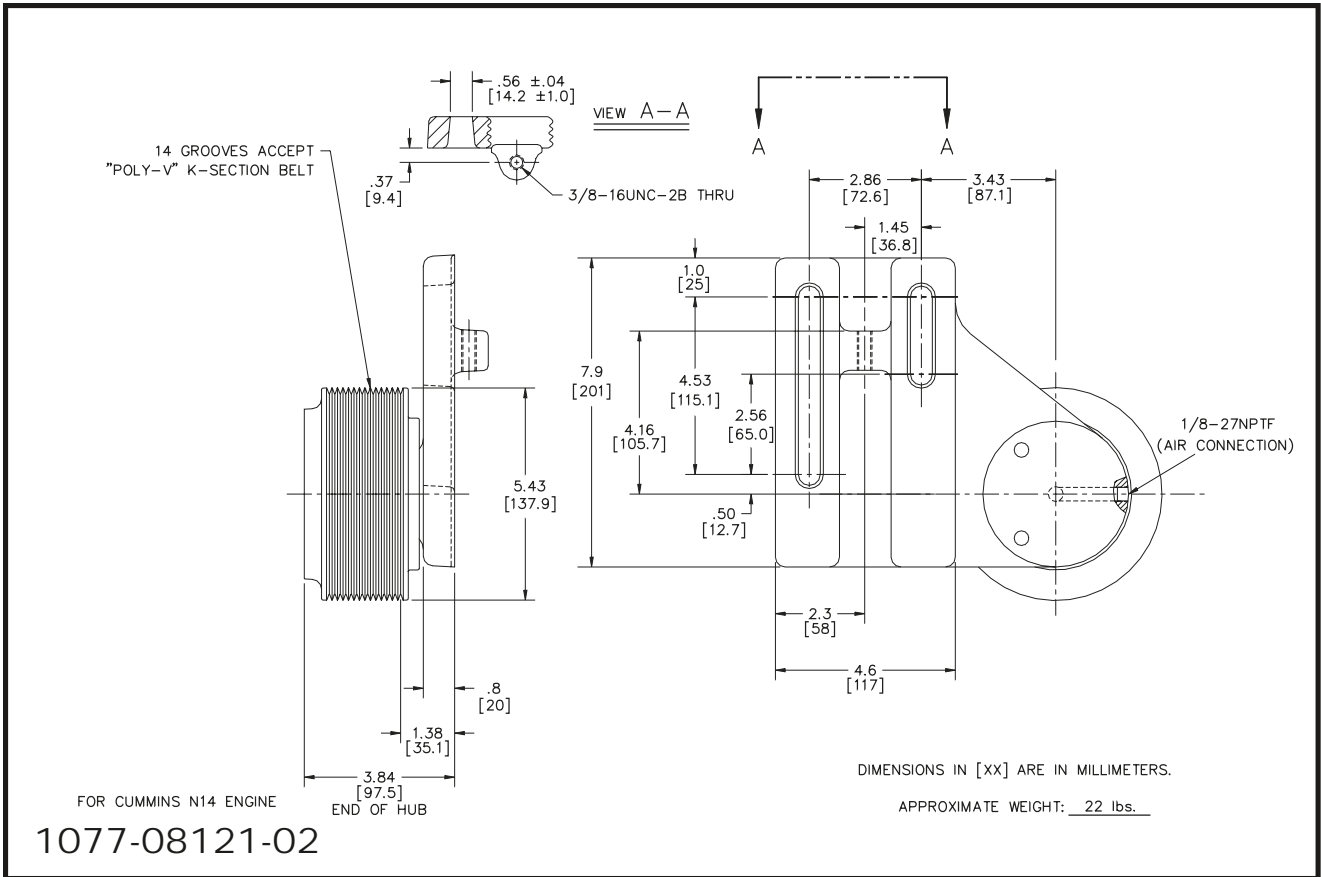
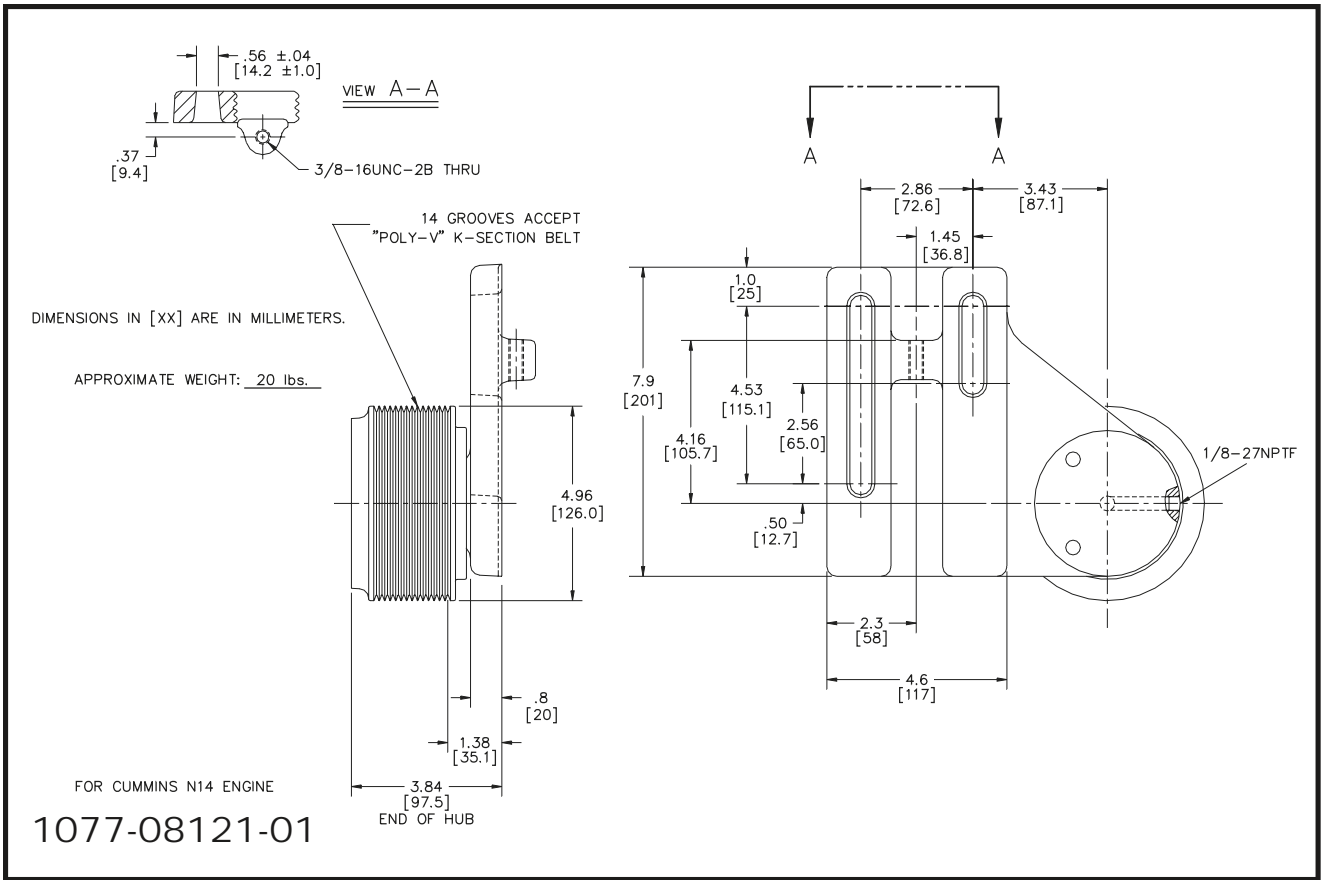


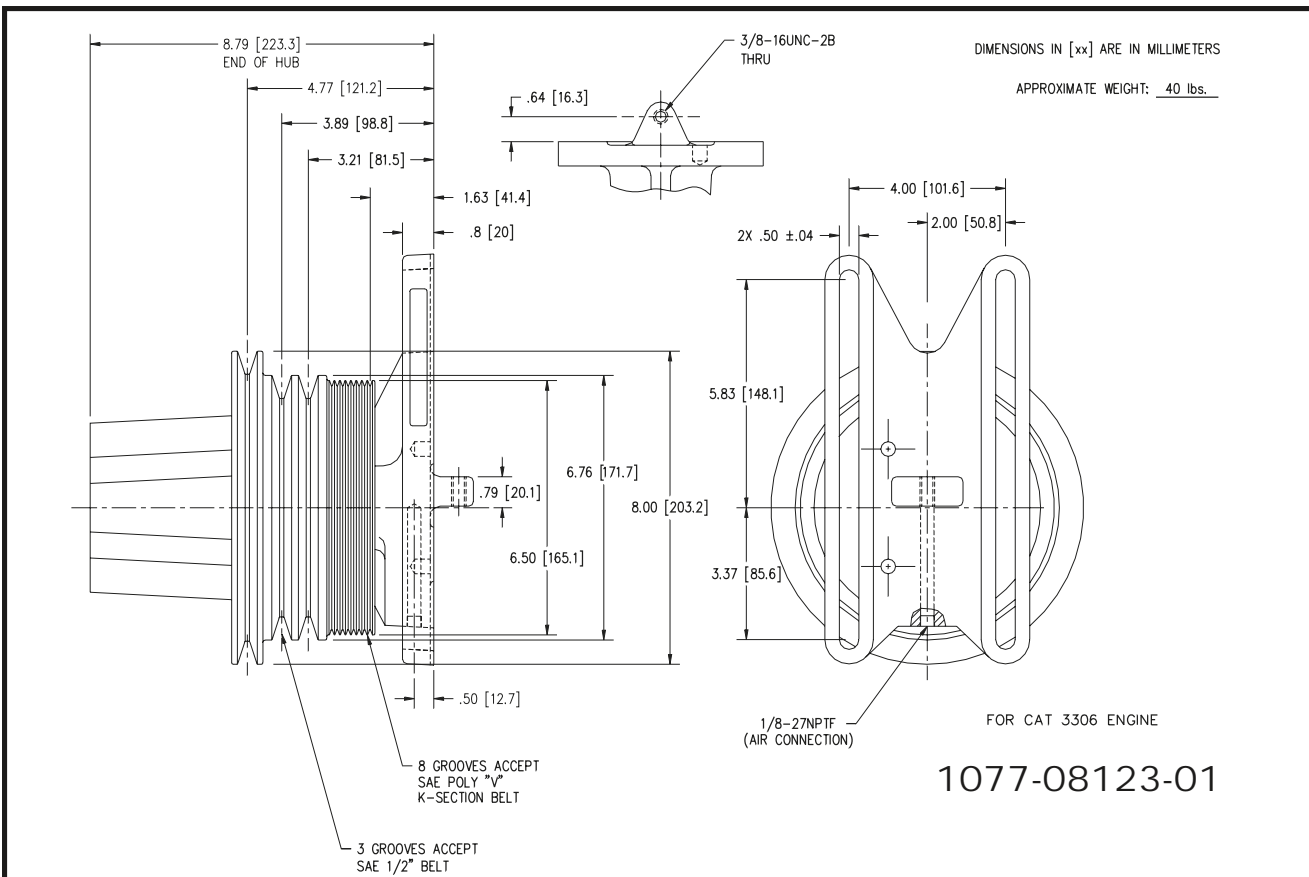
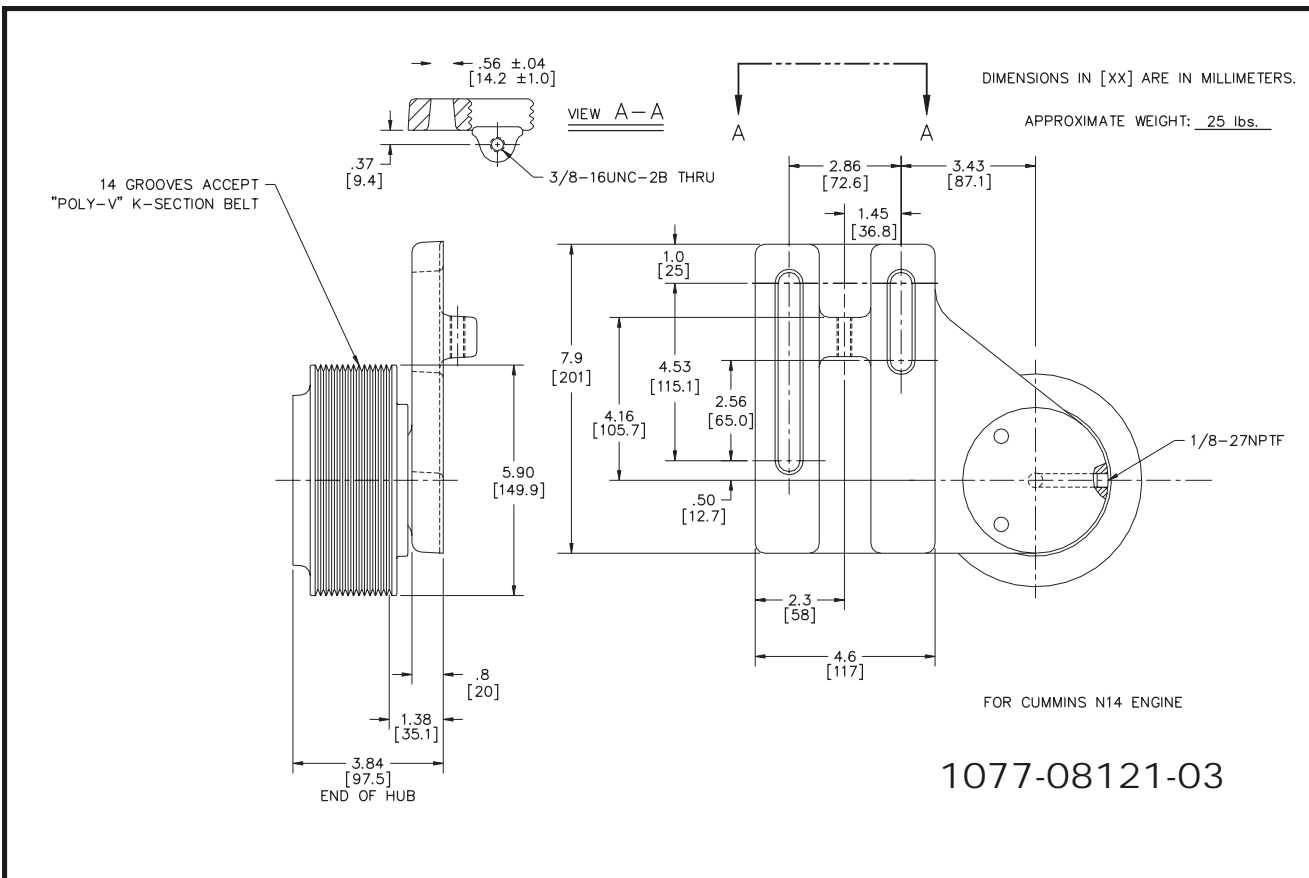


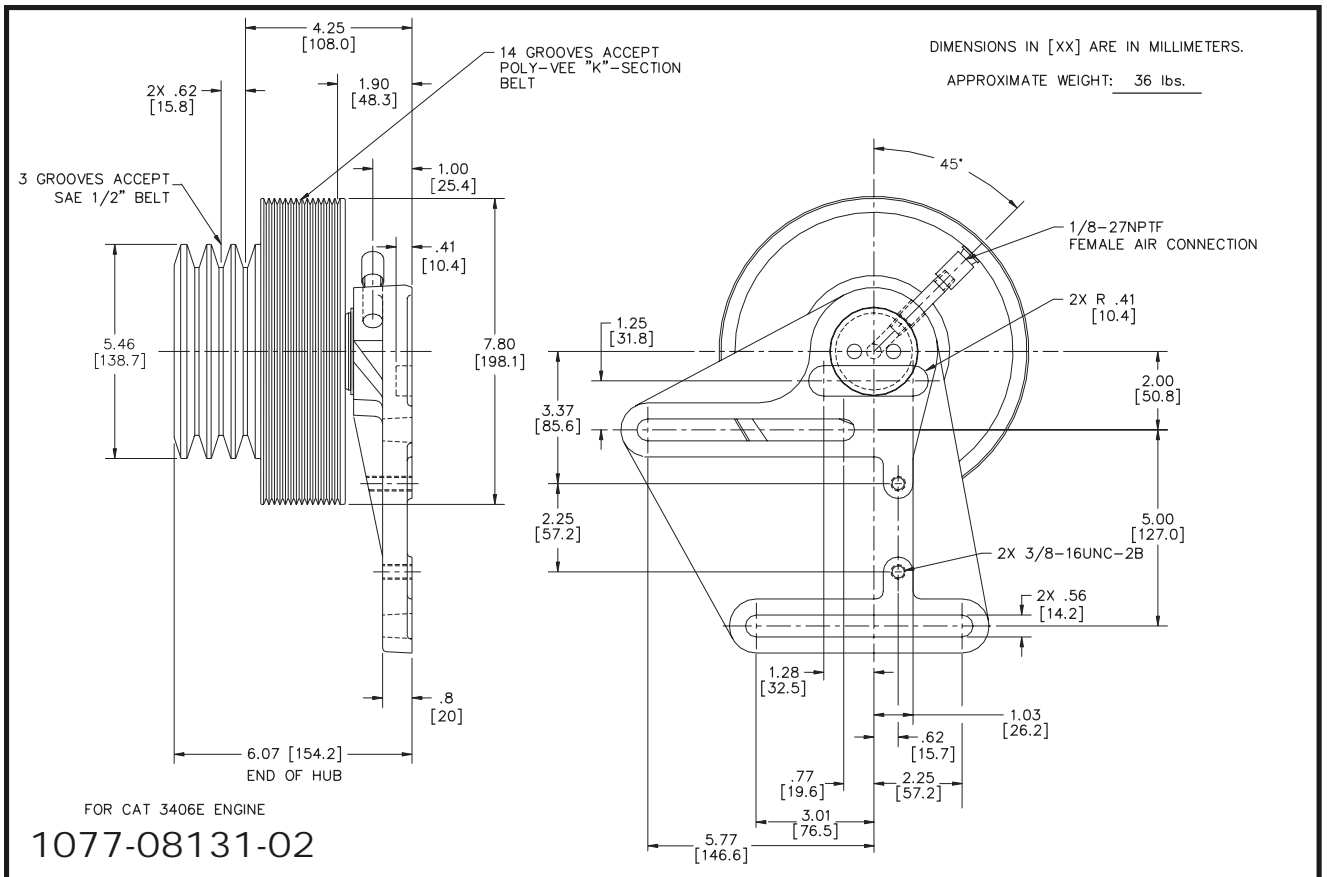
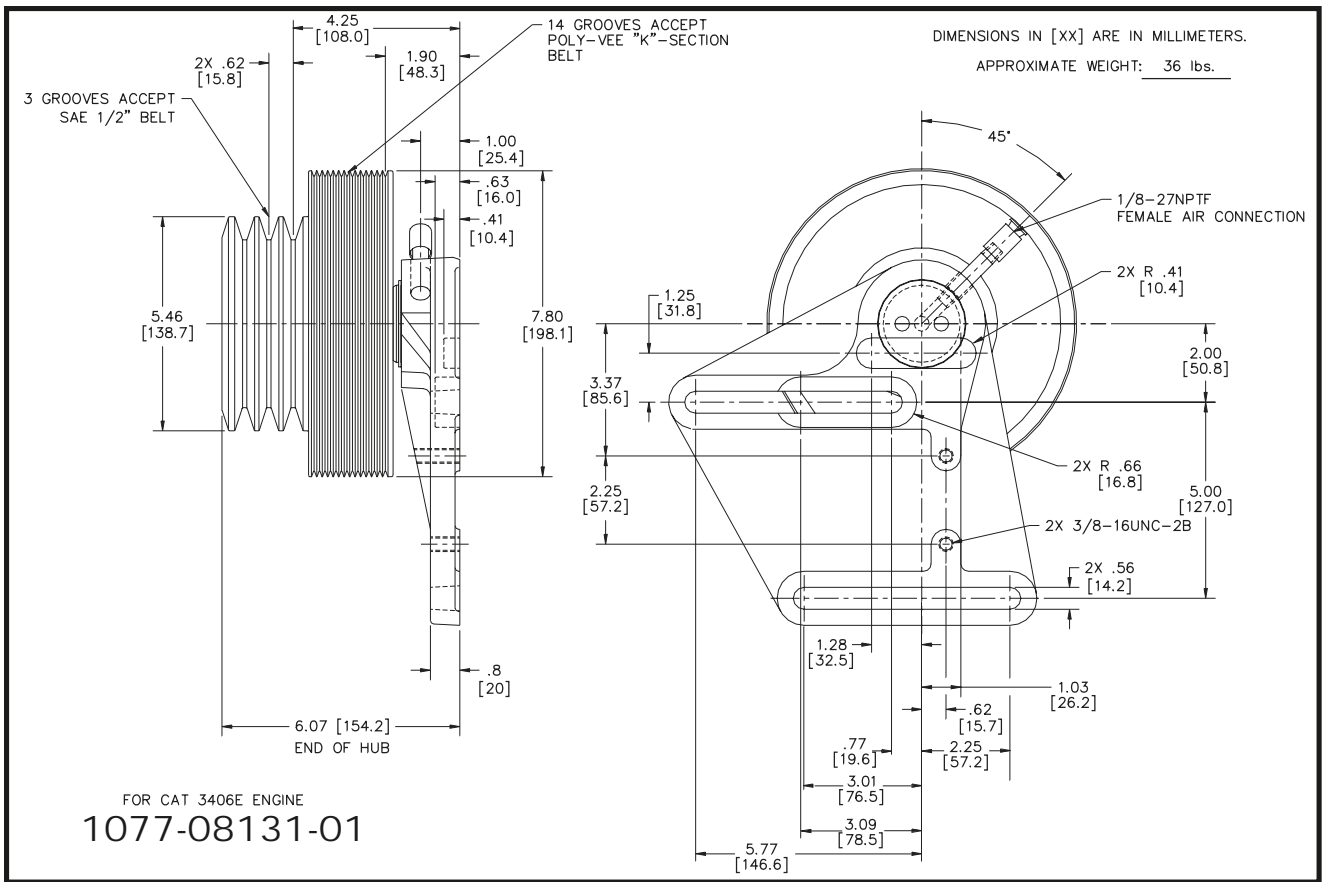


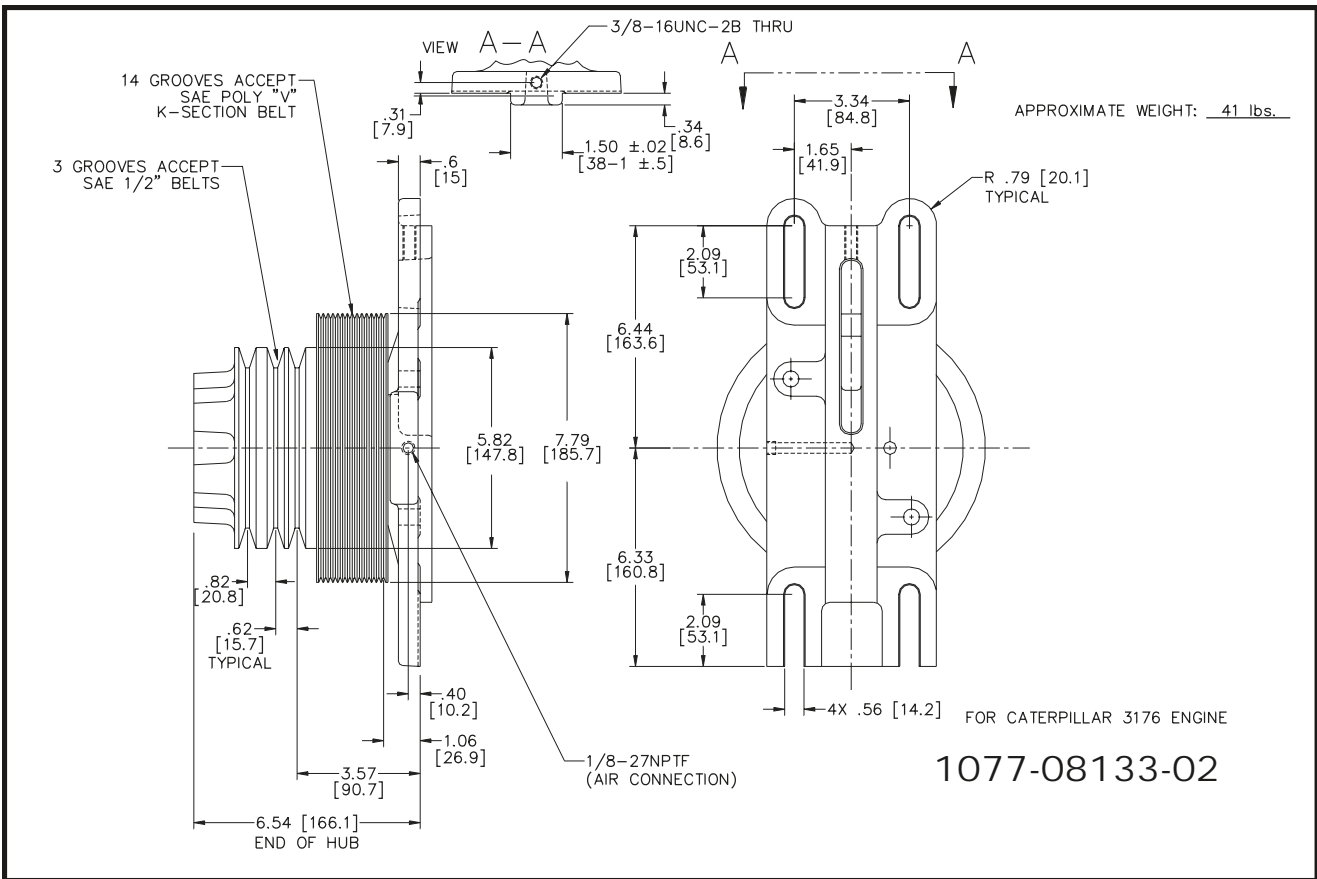
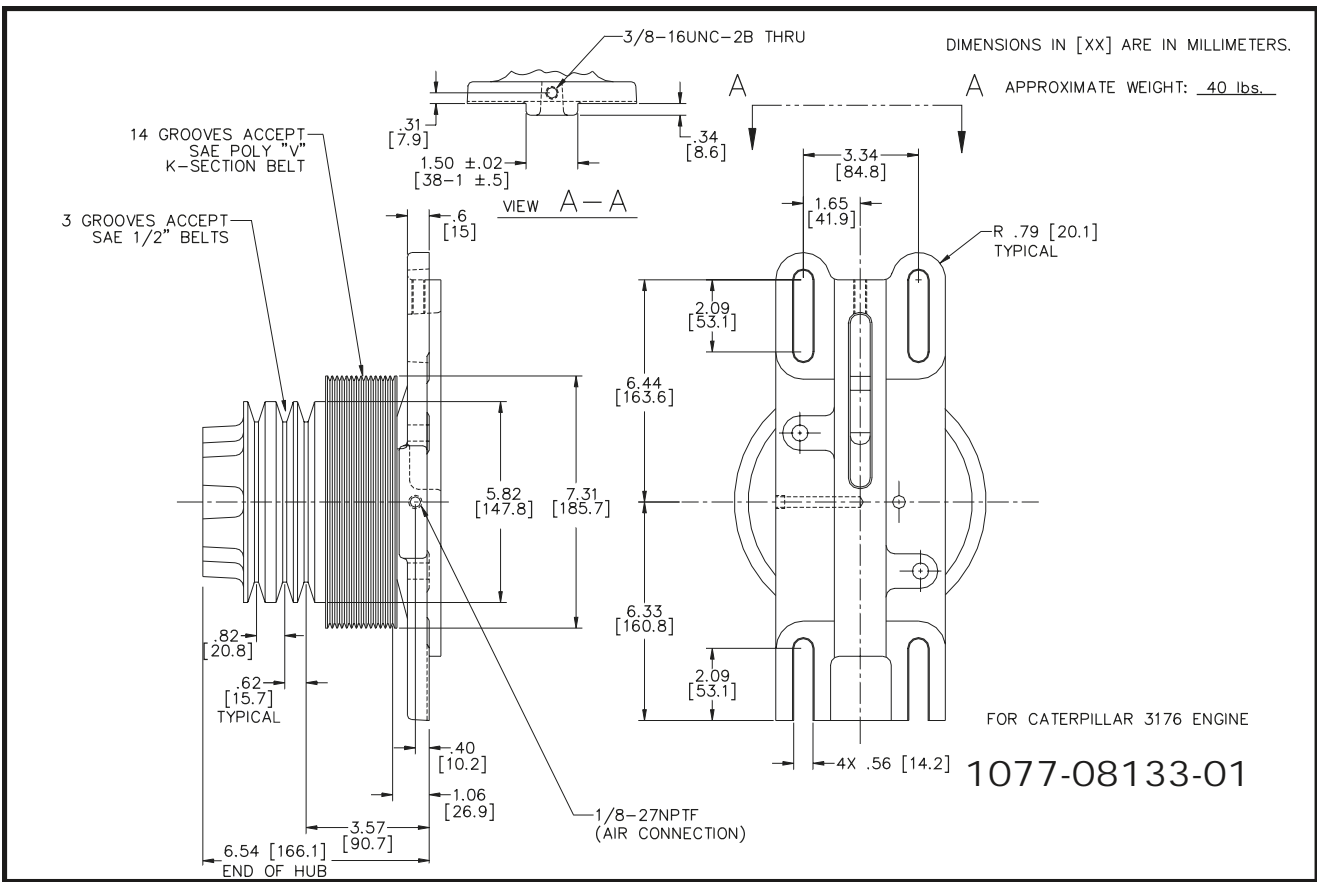


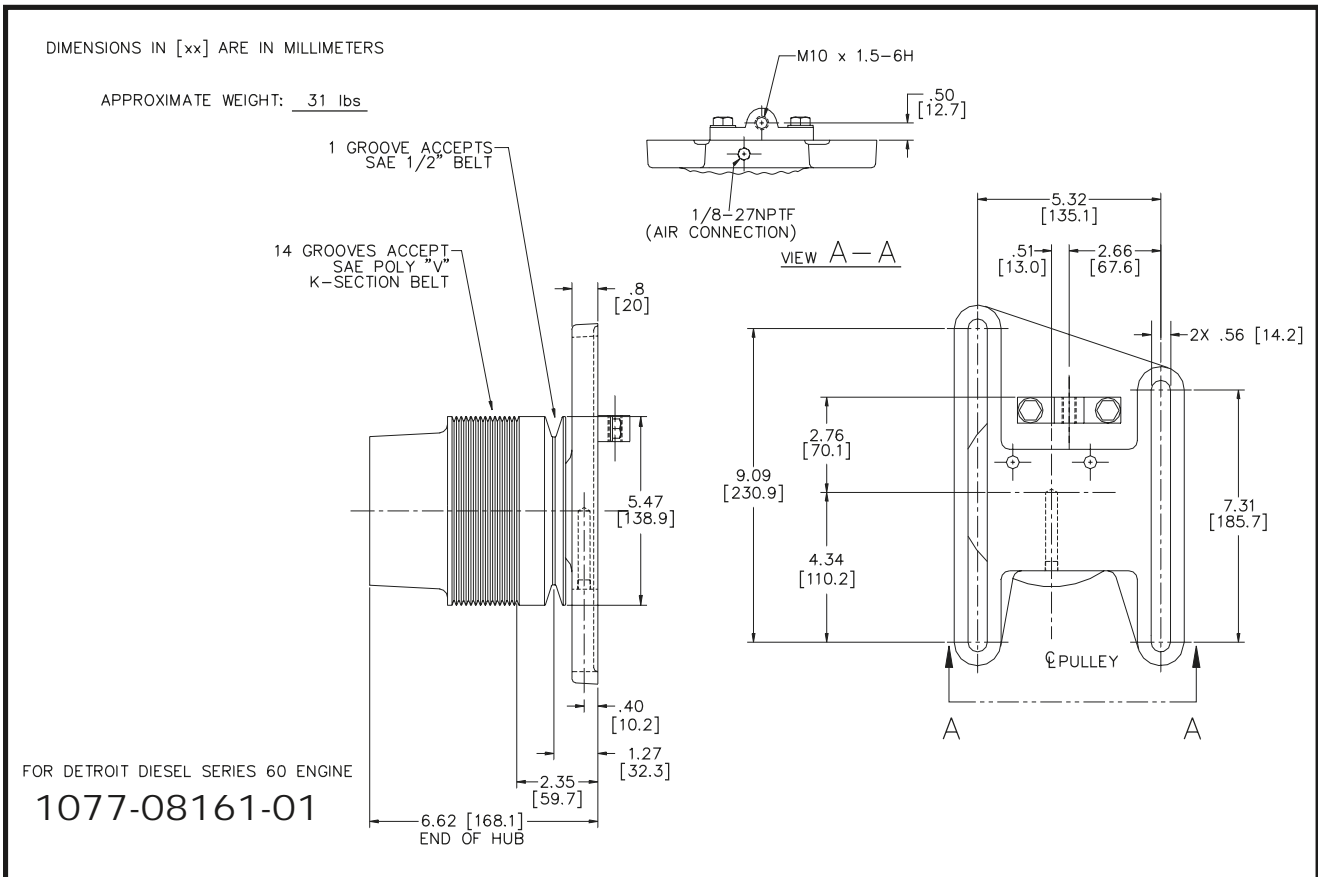
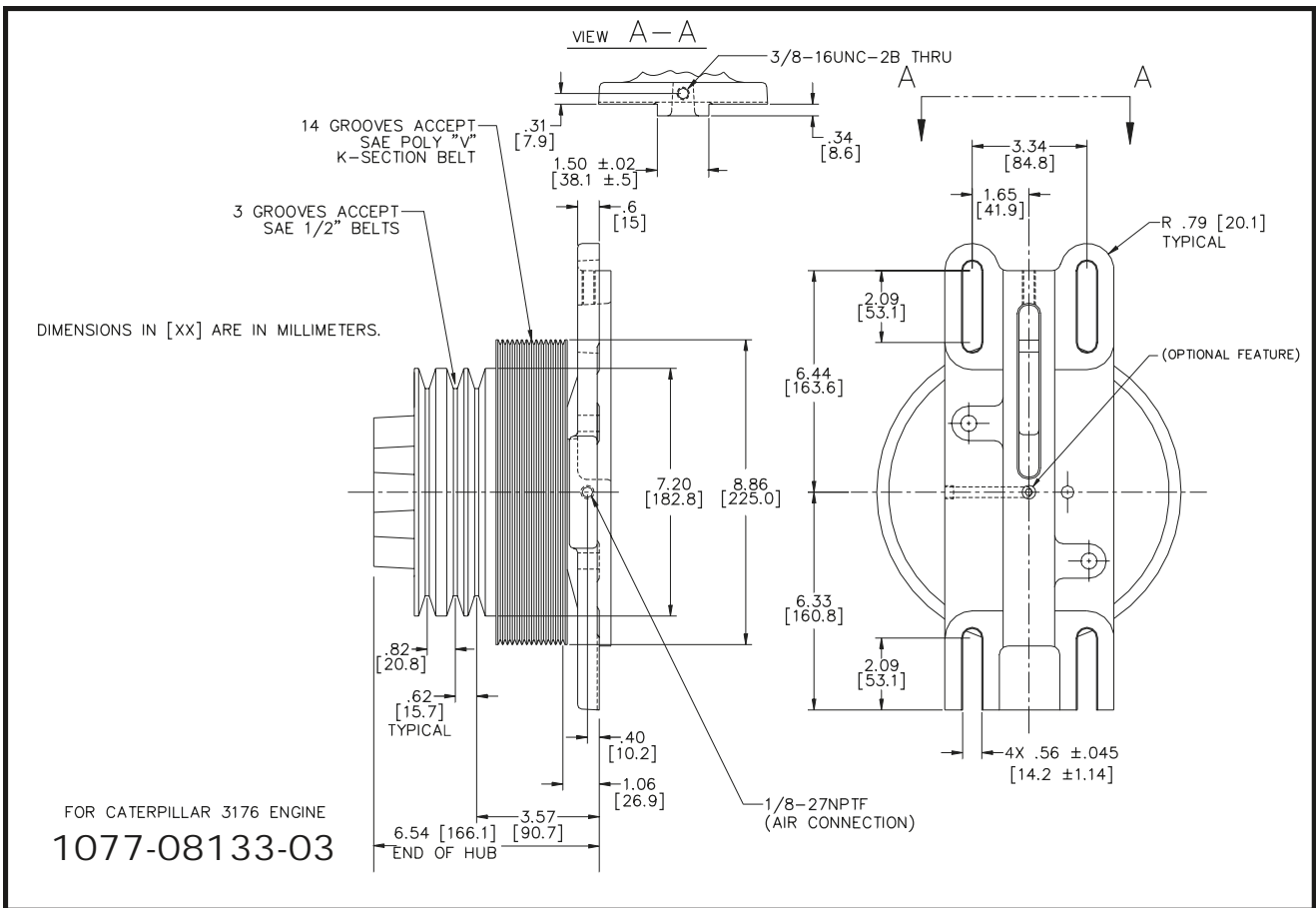




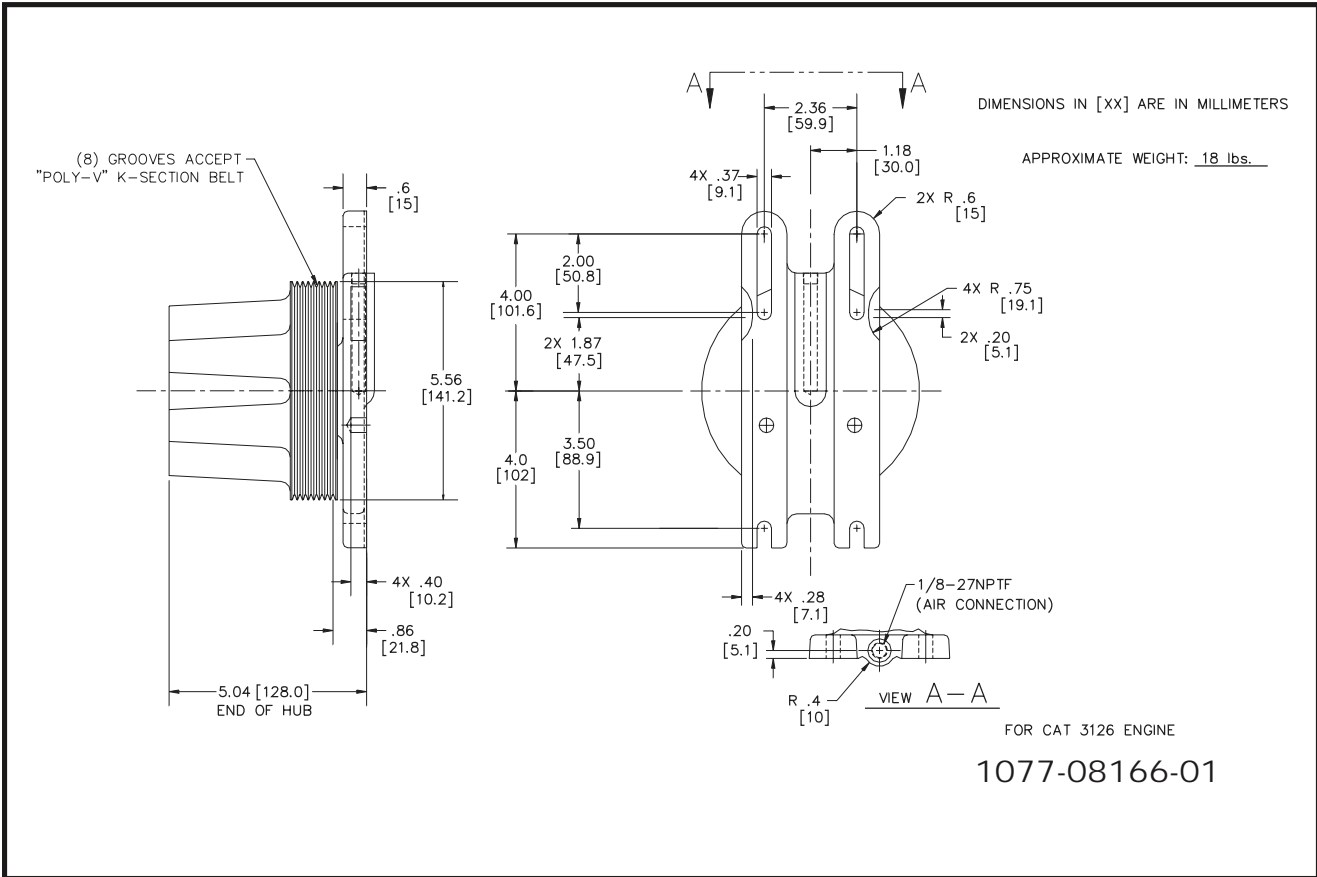
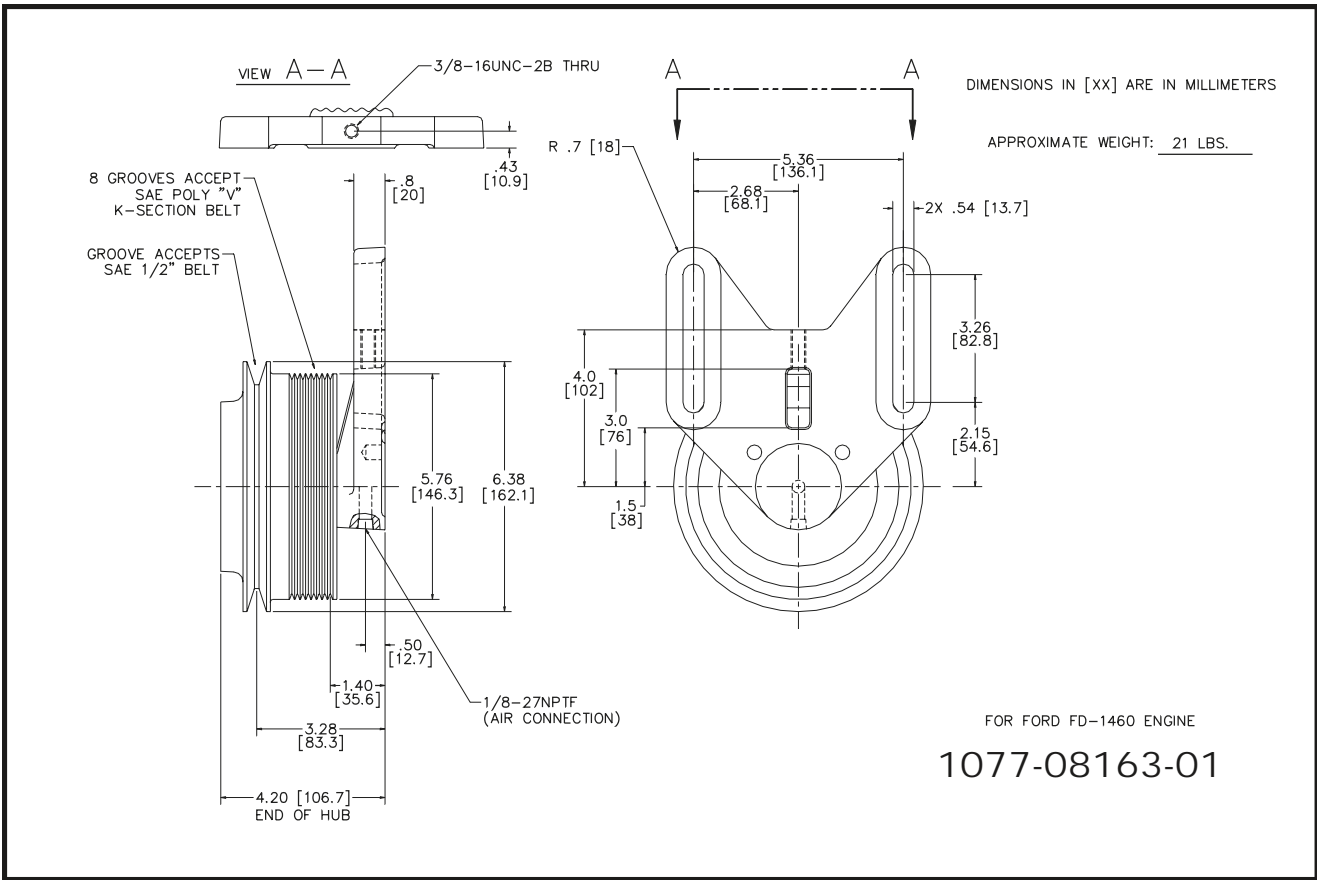


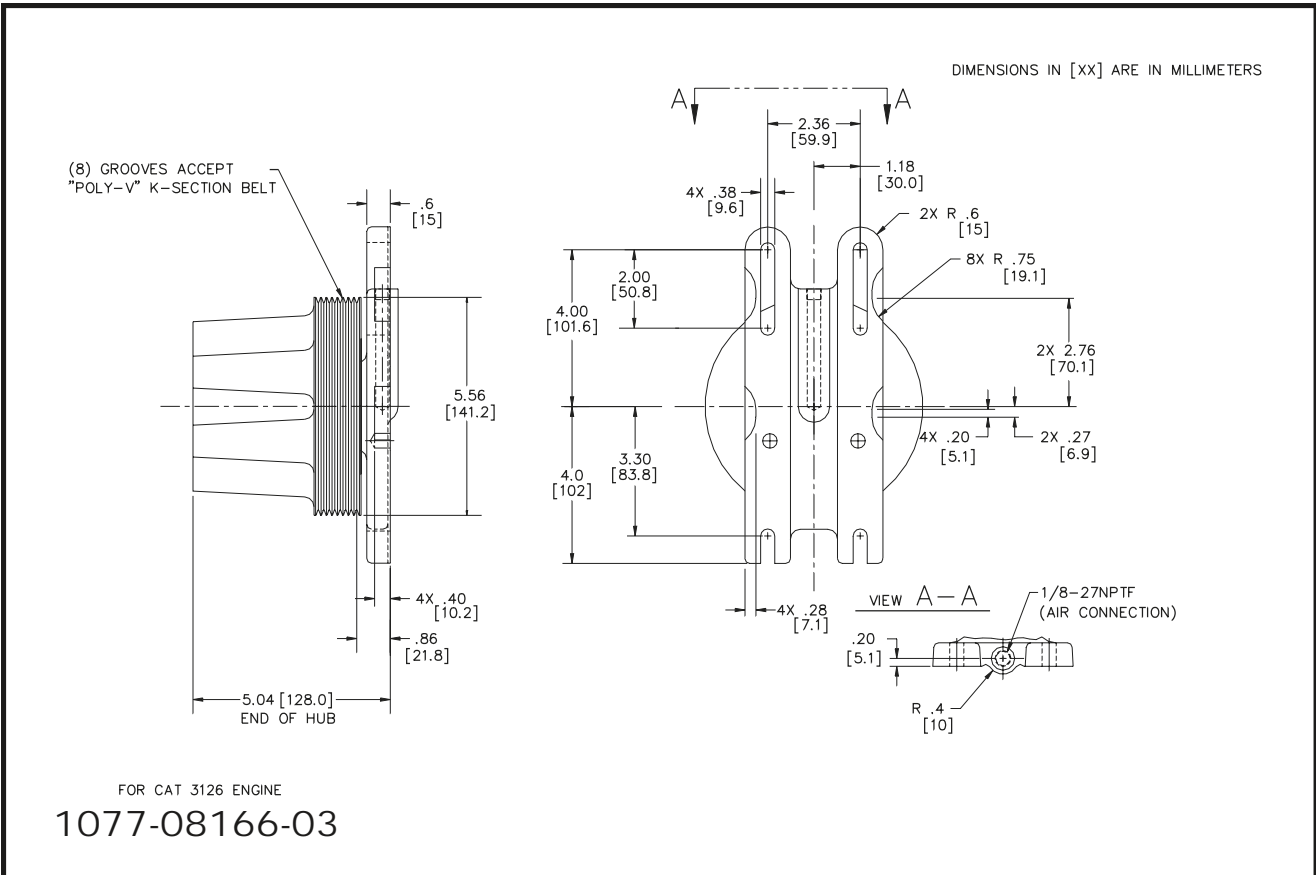
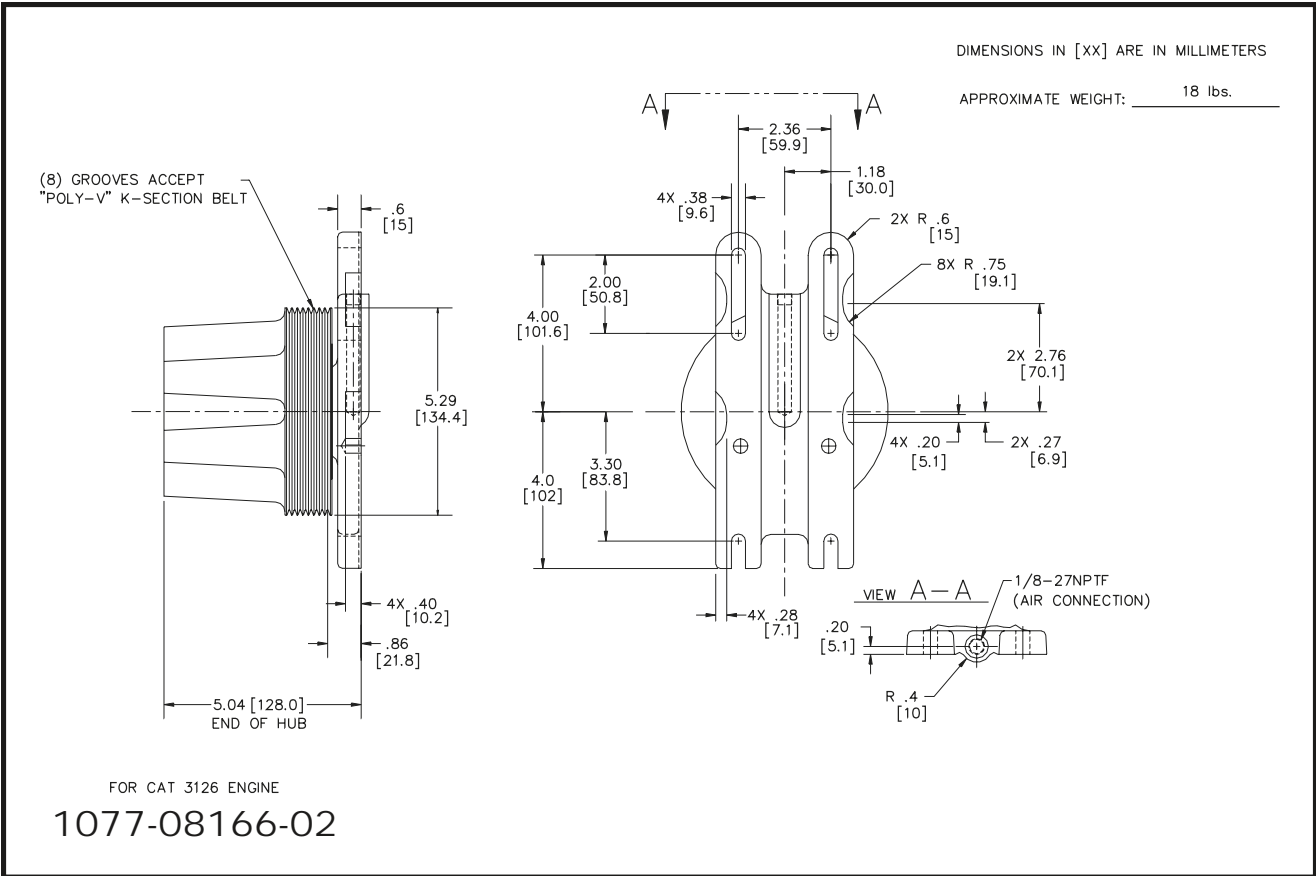


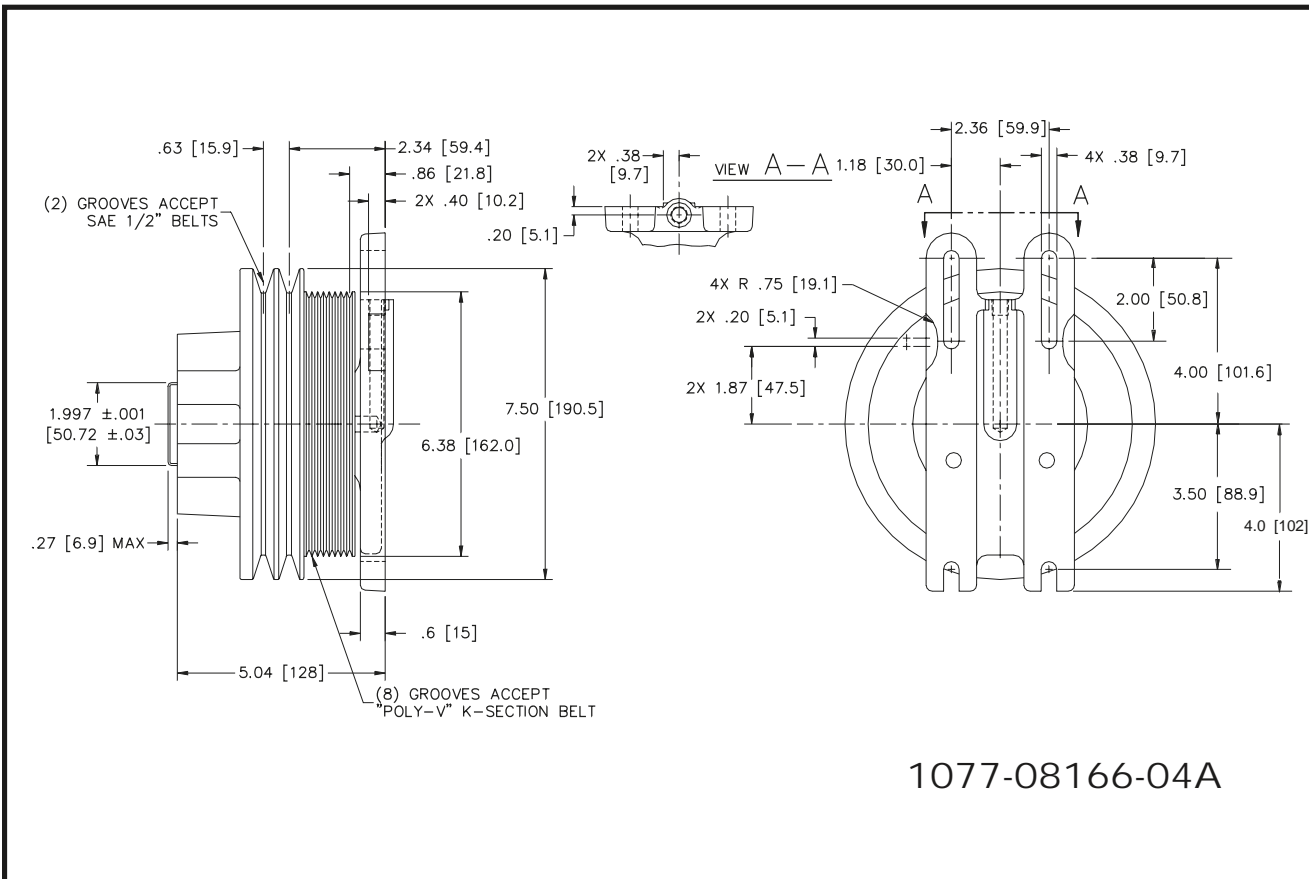
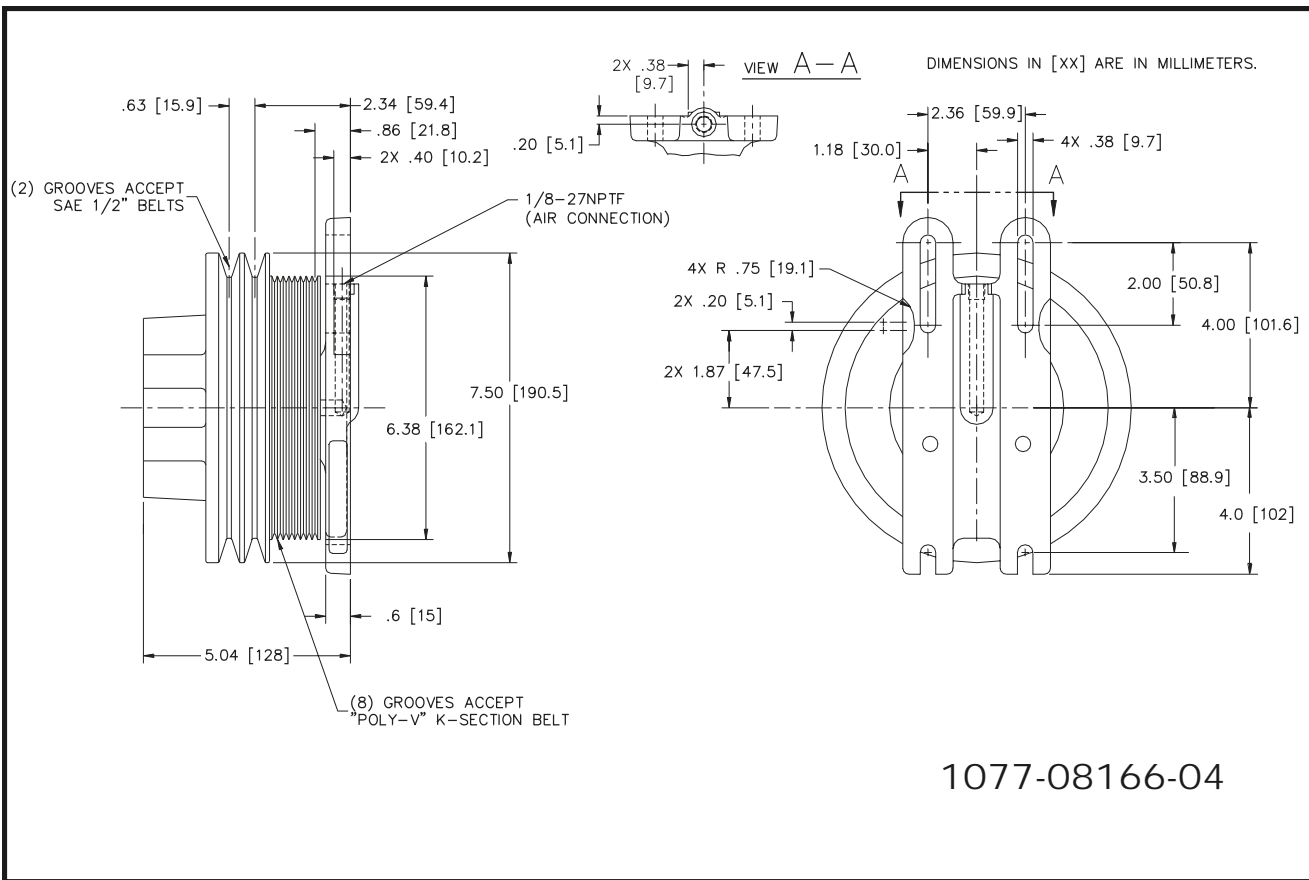


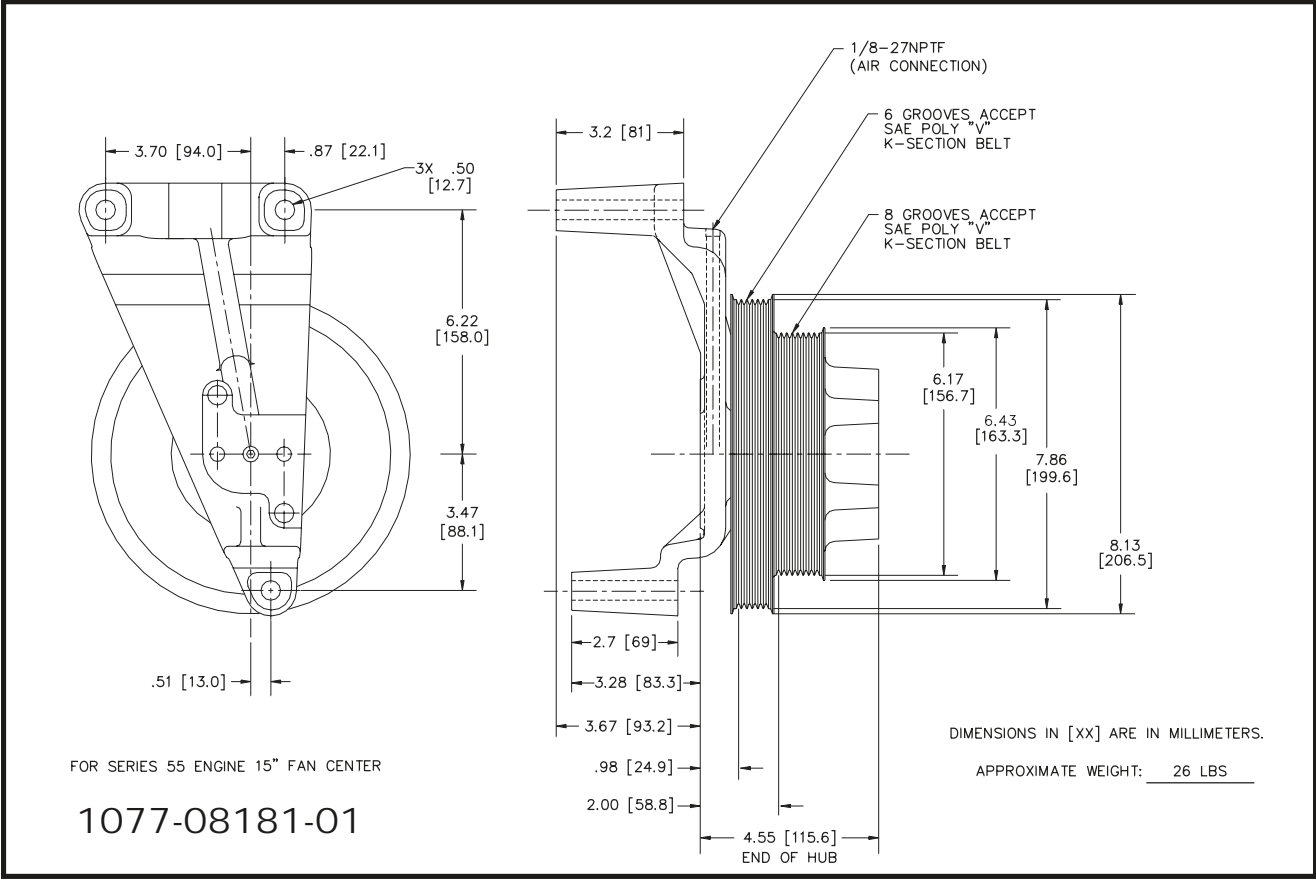
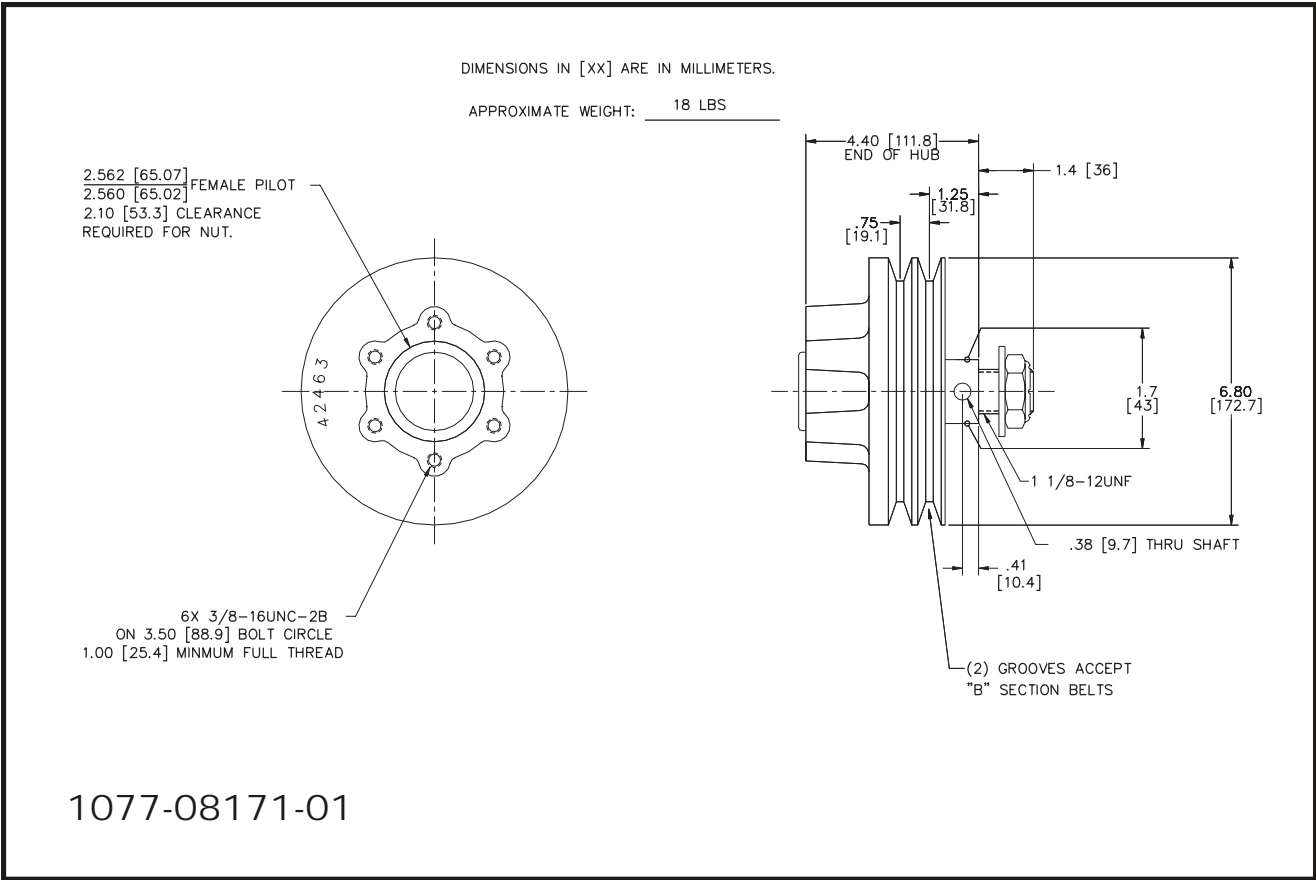


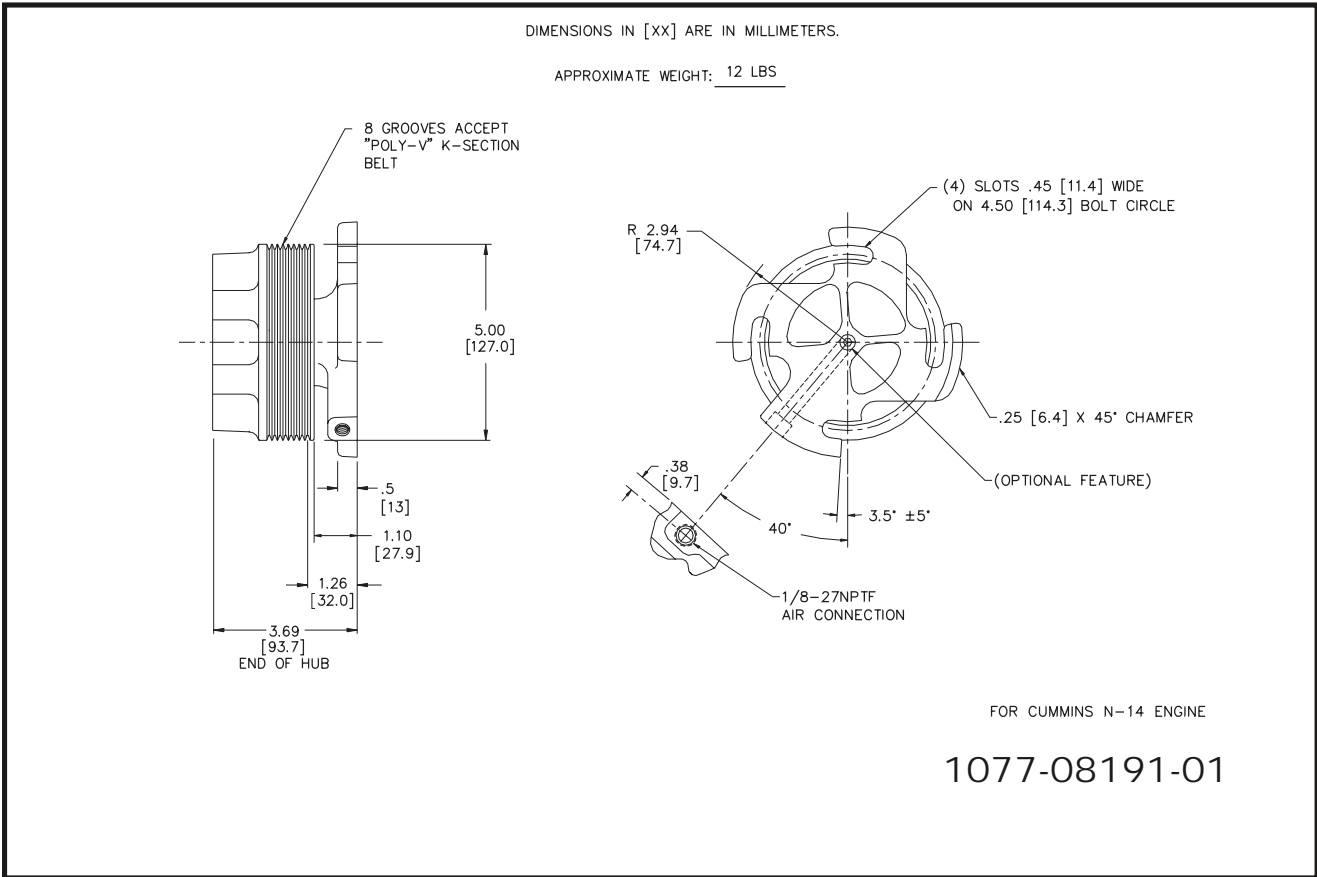
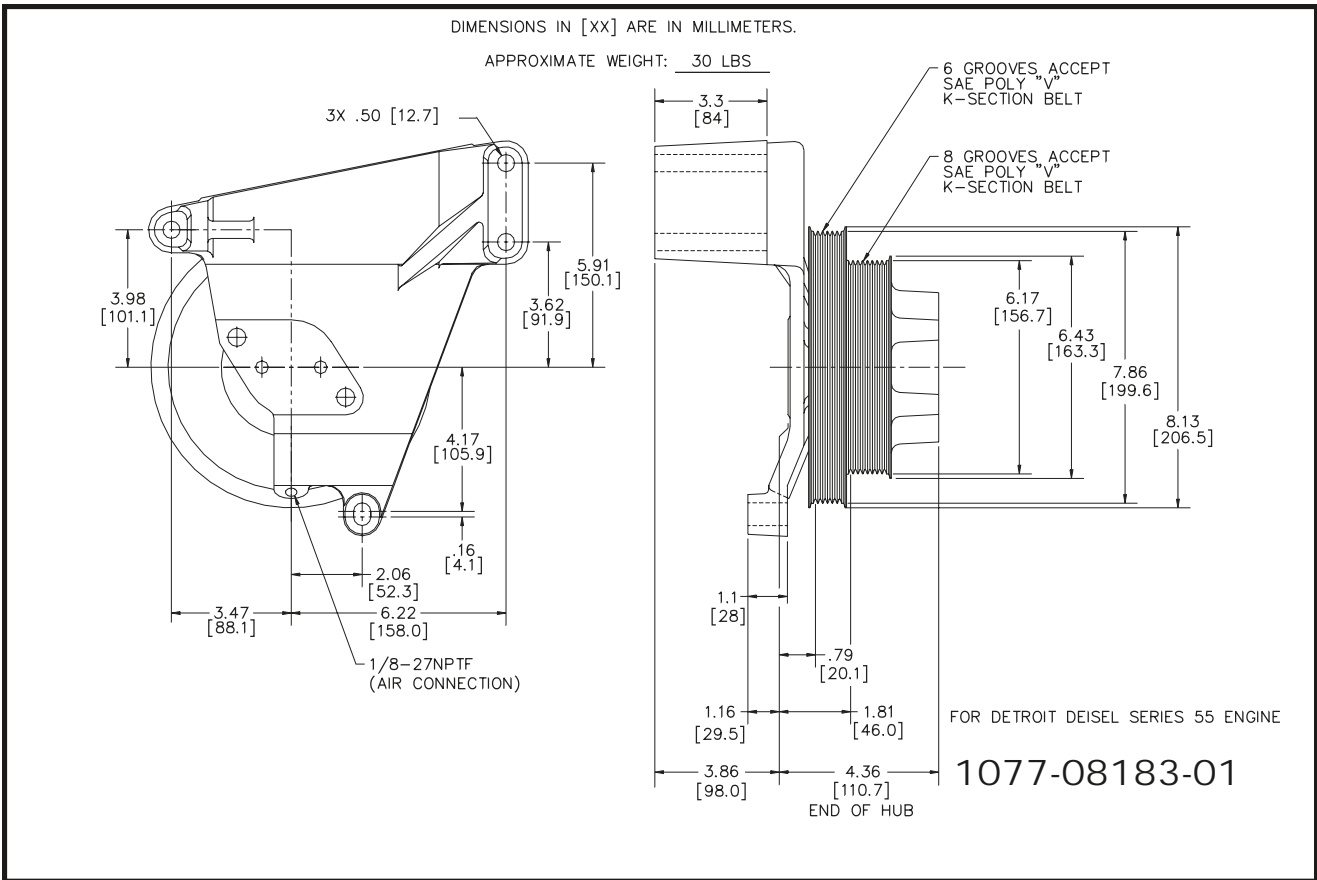


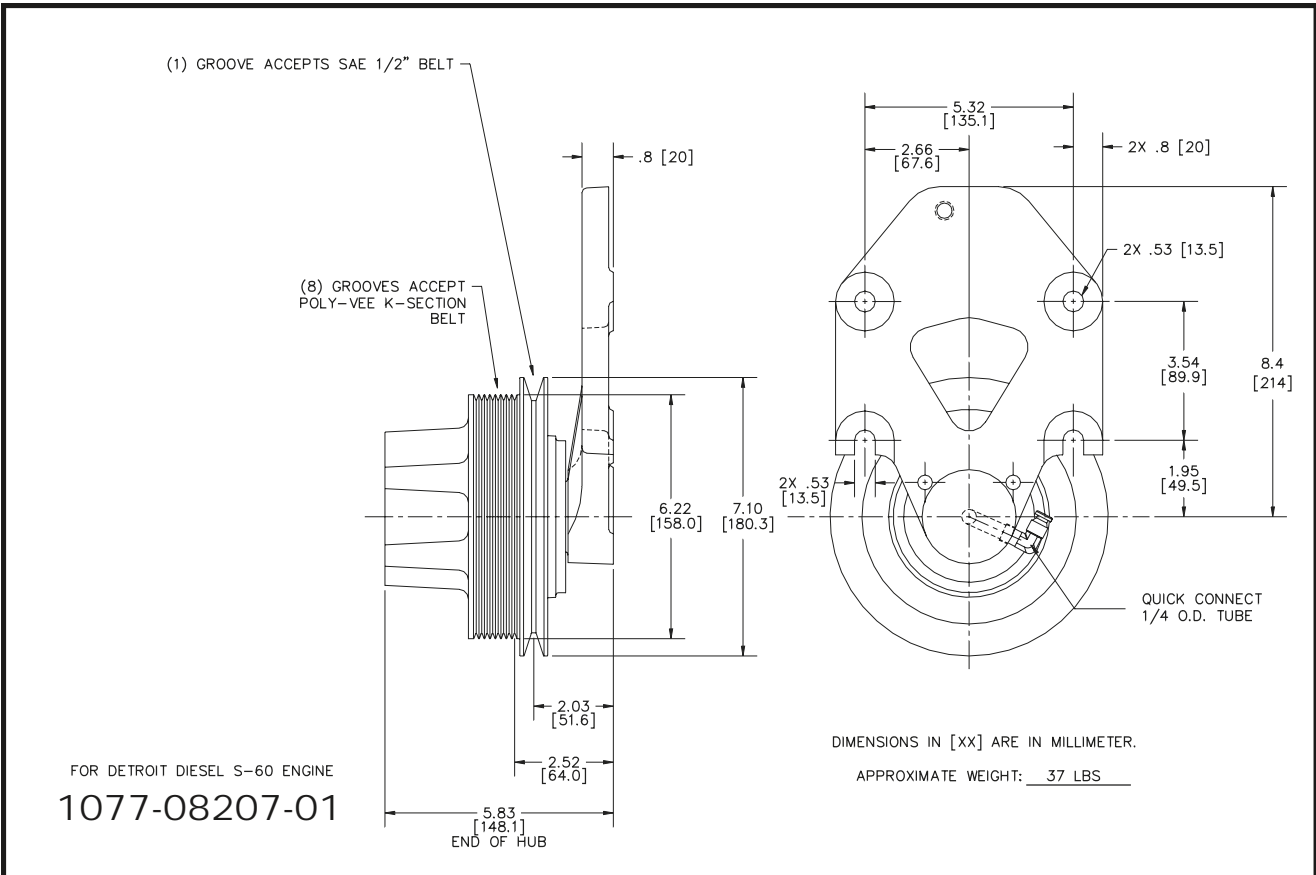
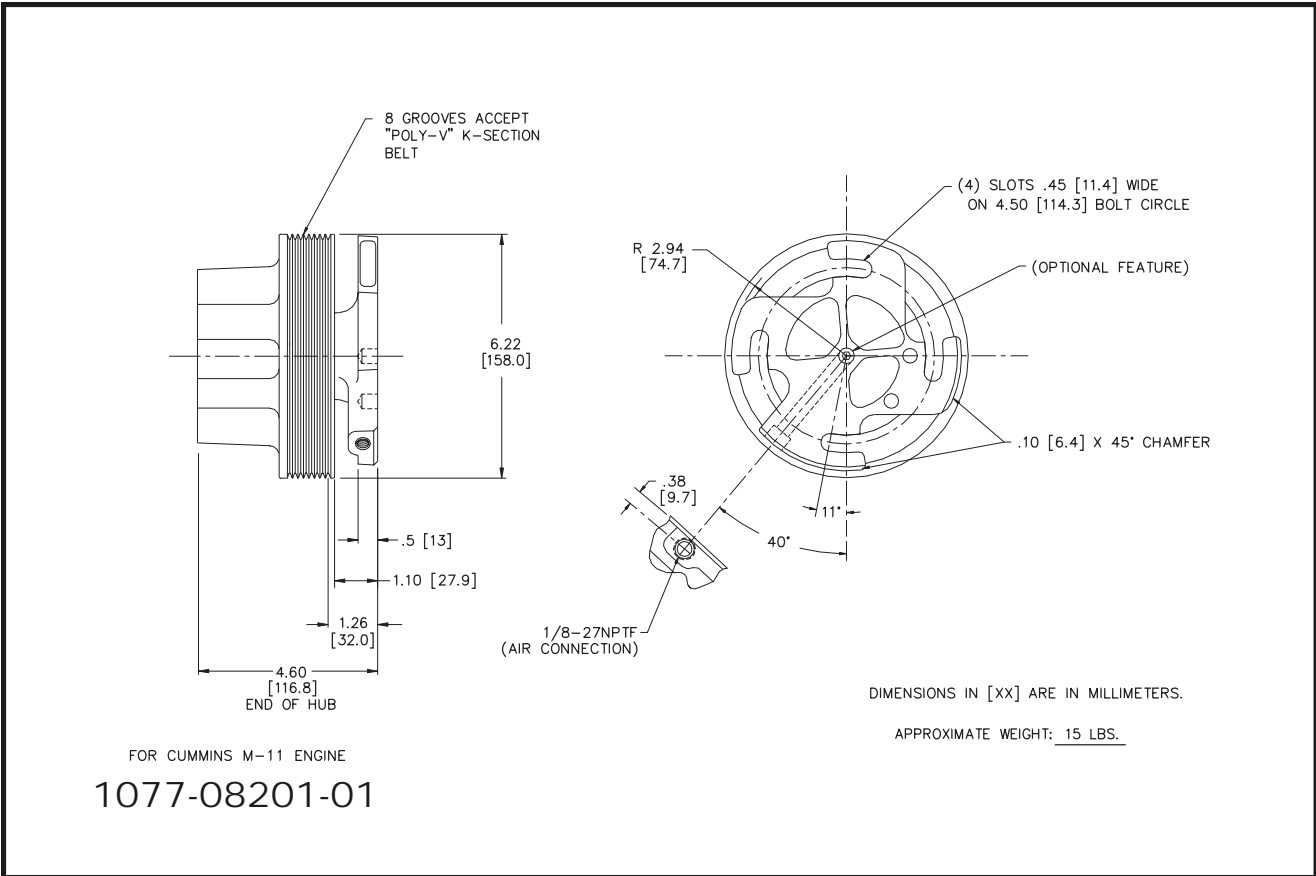


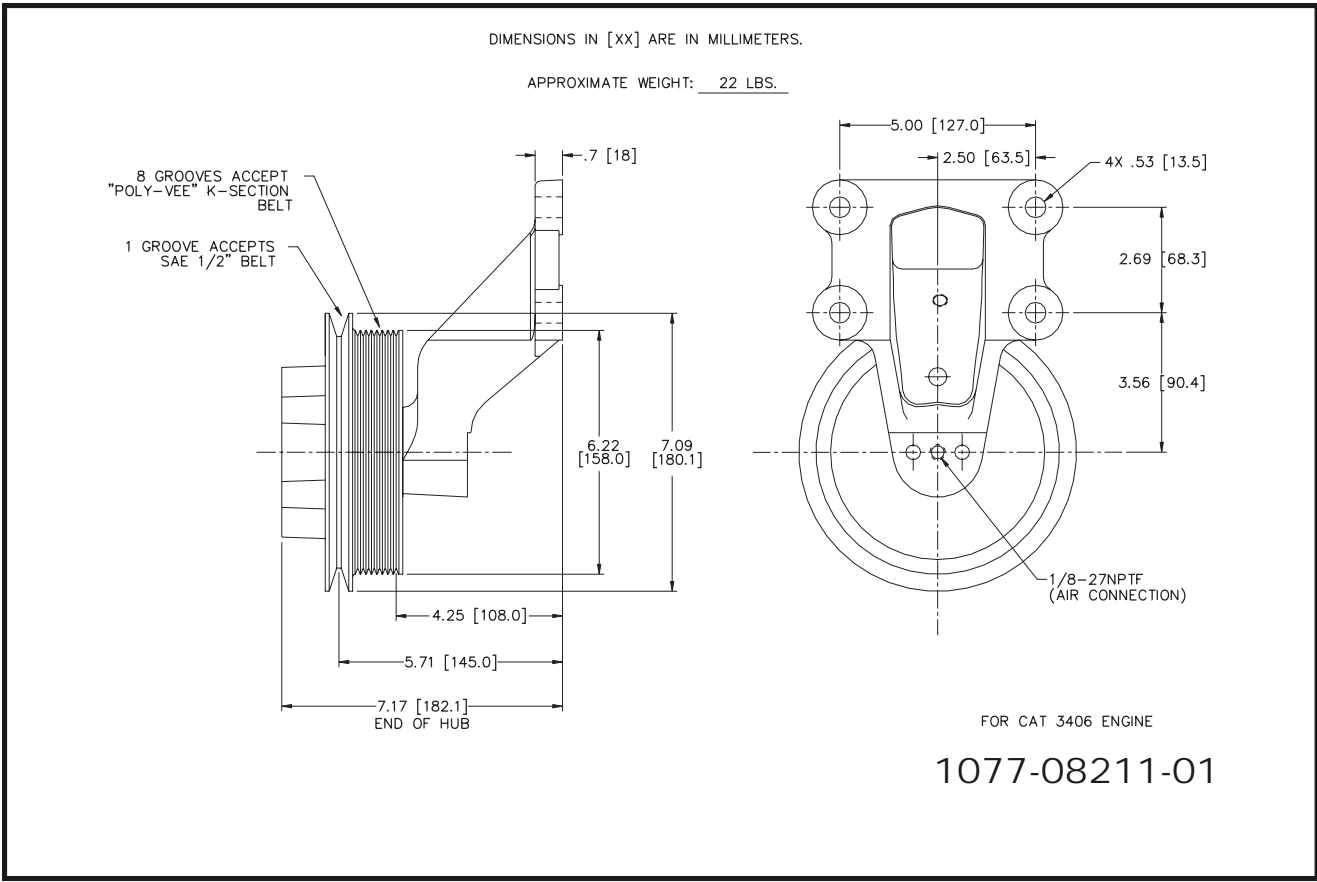
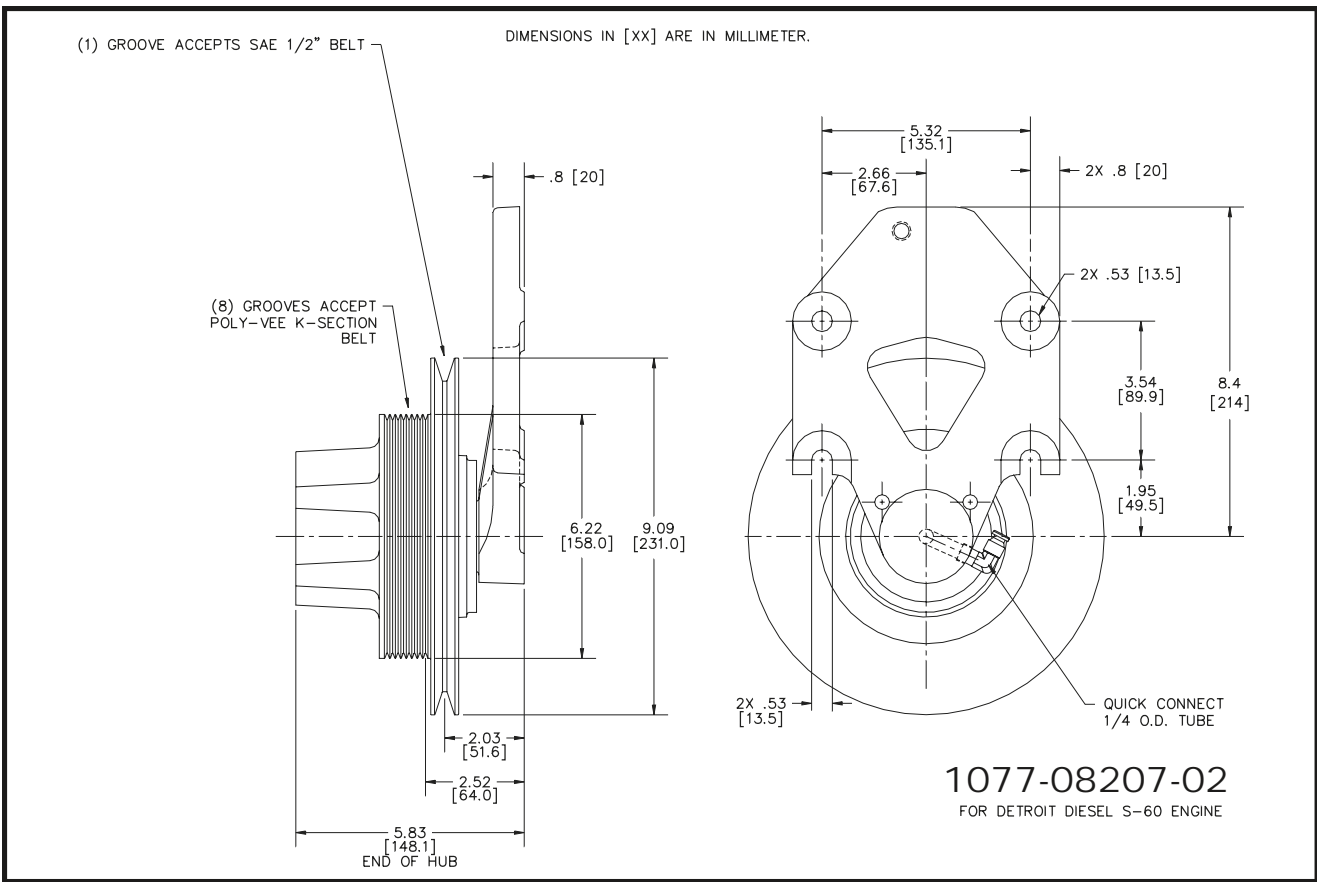


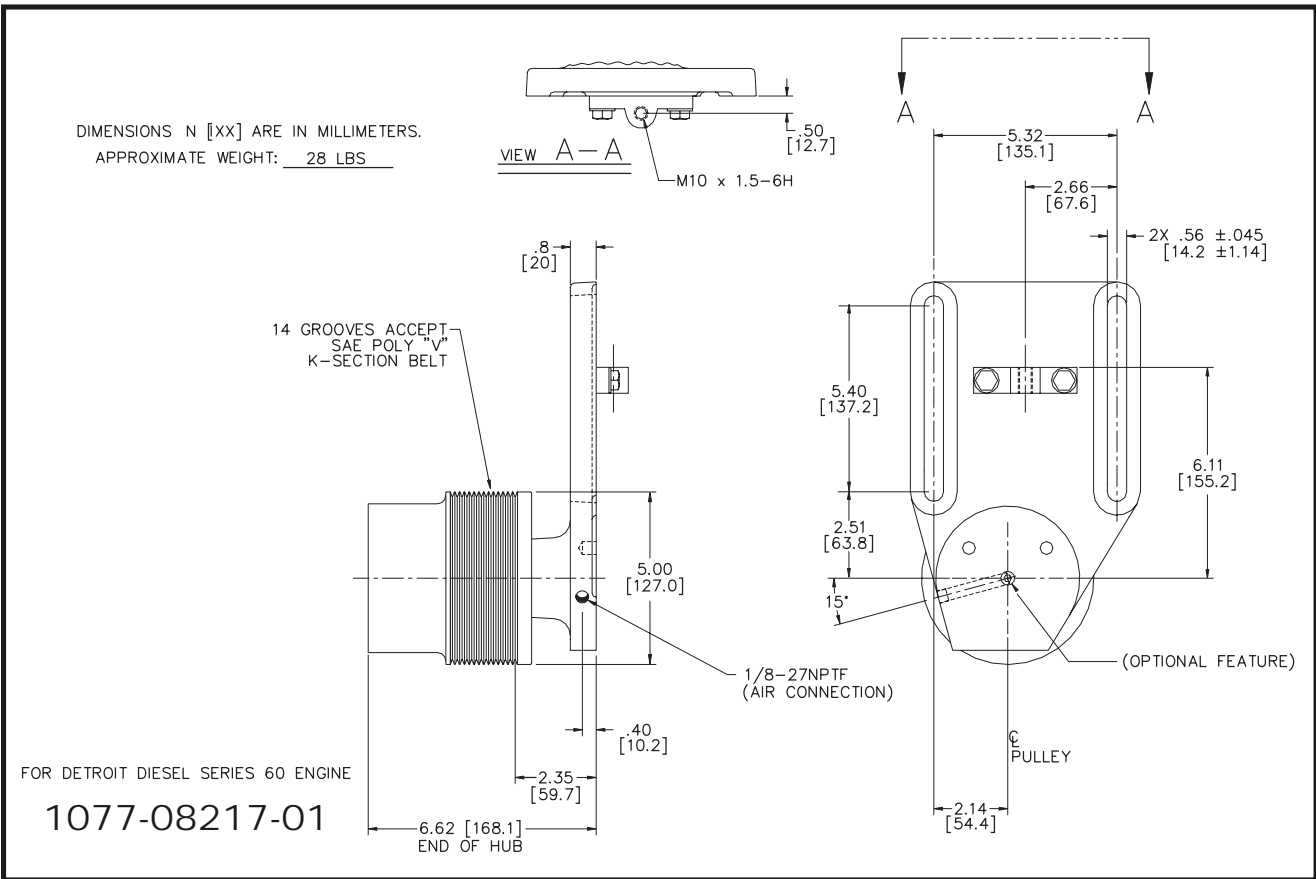
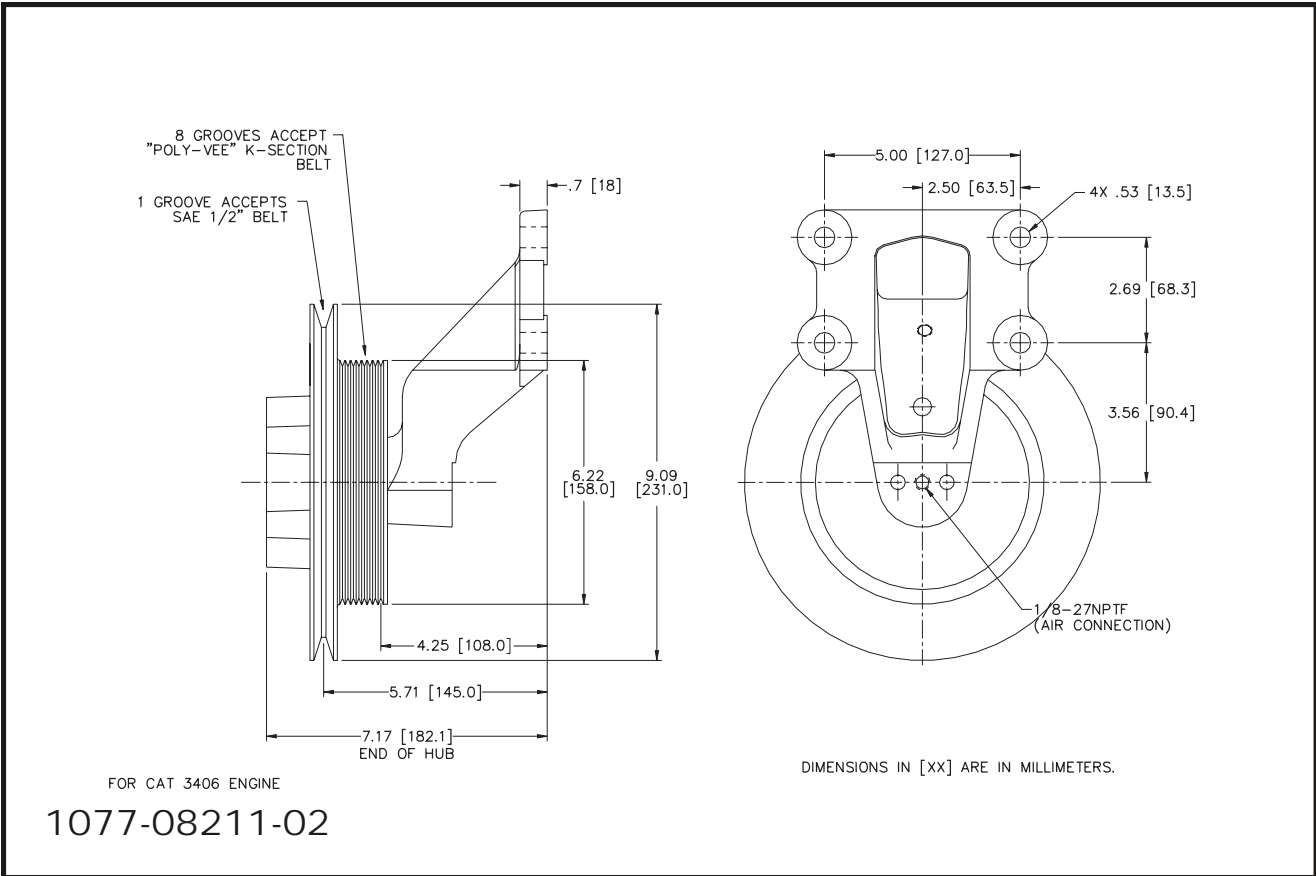




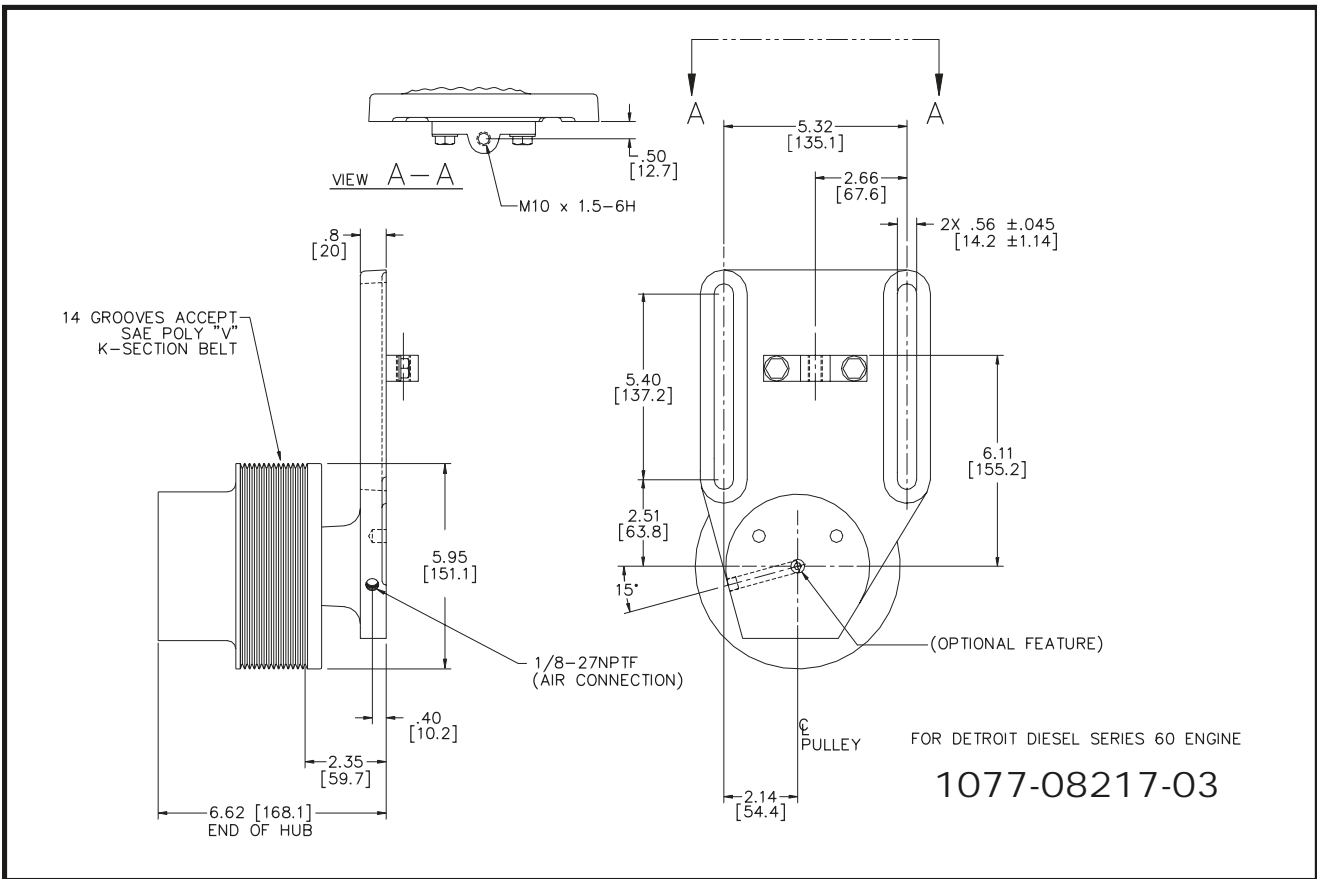
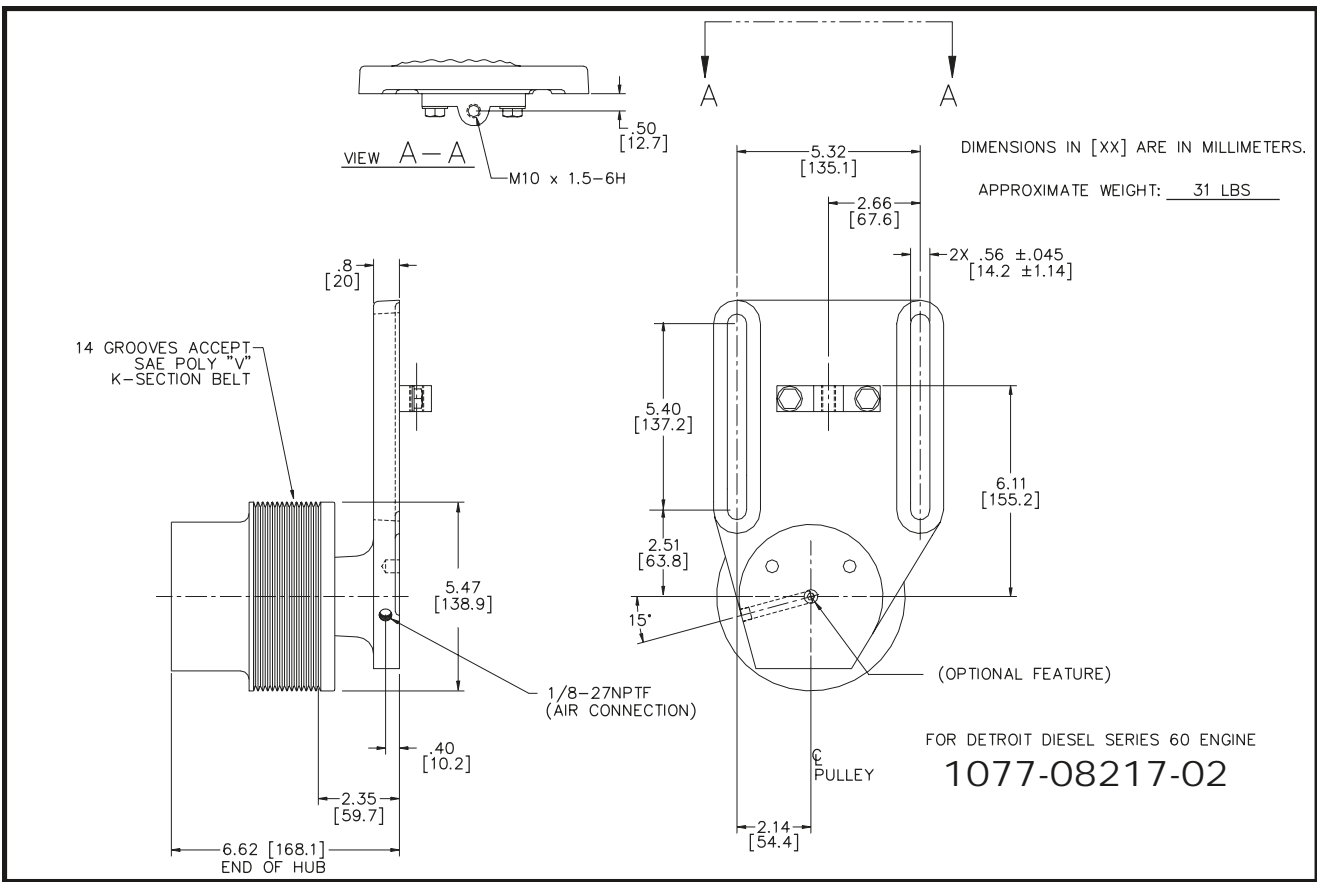






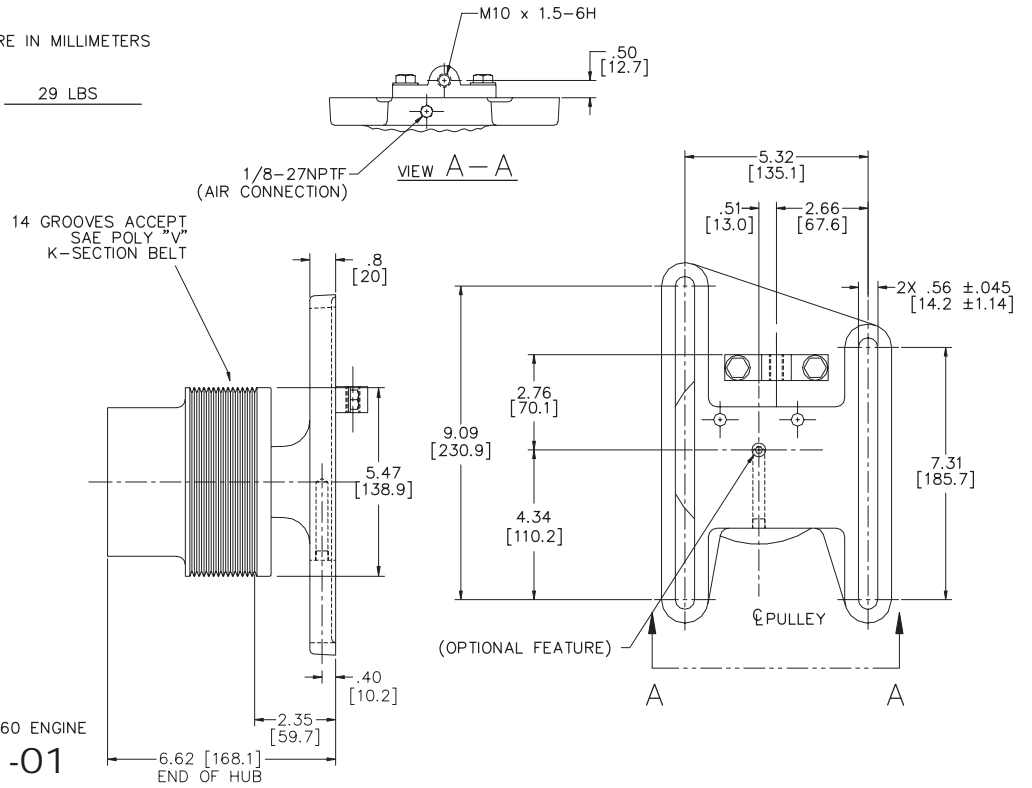






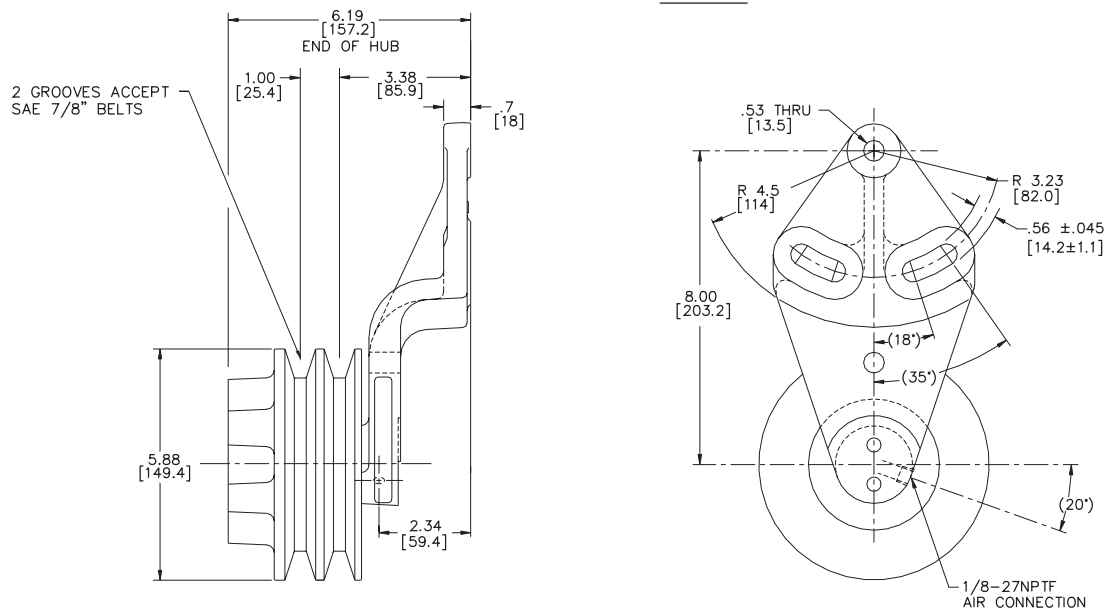
DIMENSIONS IN [xx] ARE IN MILLIMETERS

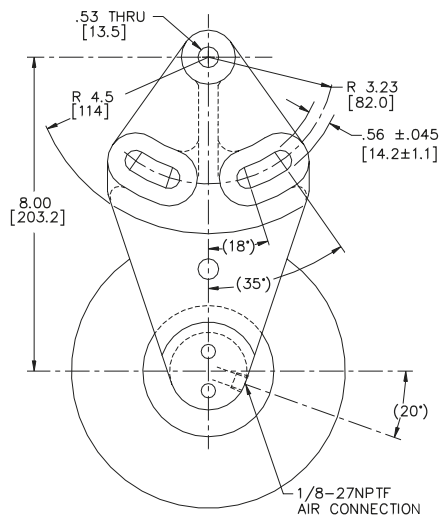
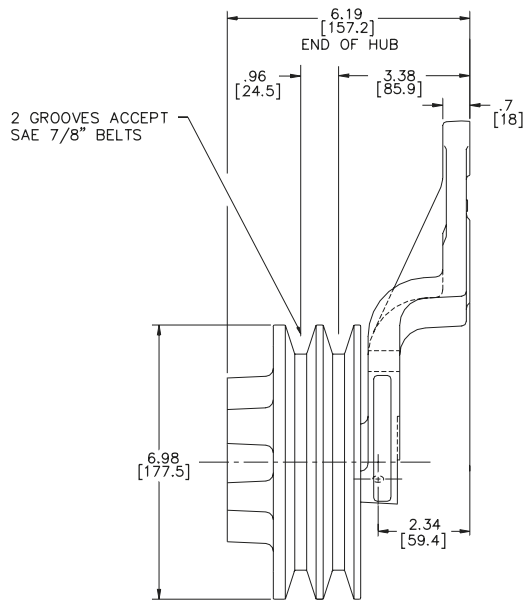
APPROXIMATE WEIGHT: 29 LBS



DIMENSIONS IN BRACKETS [mm] ARE IN MILLIMETERS.

APPROXIMATE WEIGHT: 32 LBS

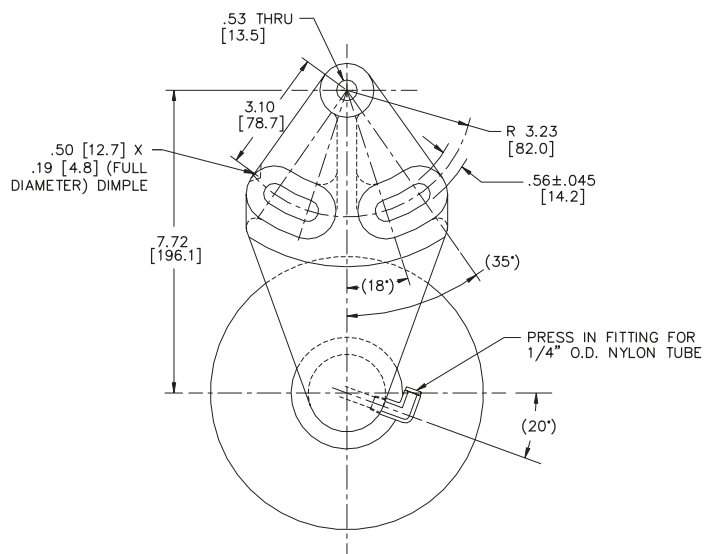
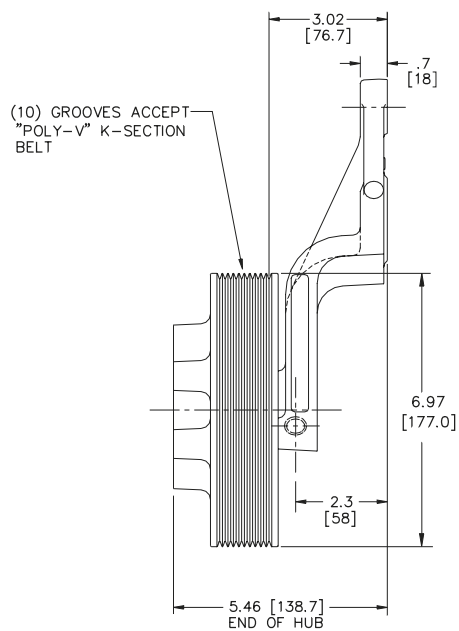




1077-08225-02

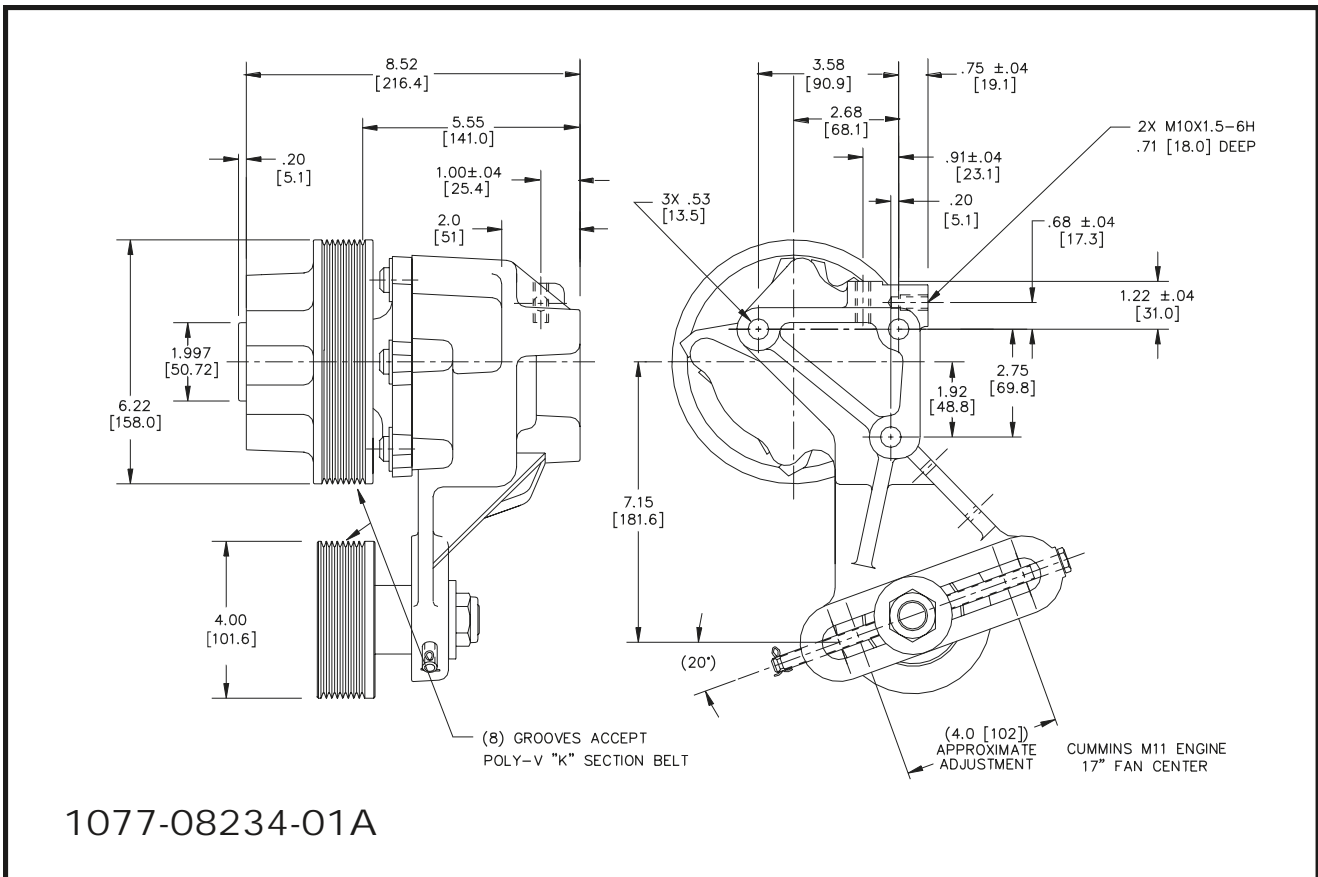
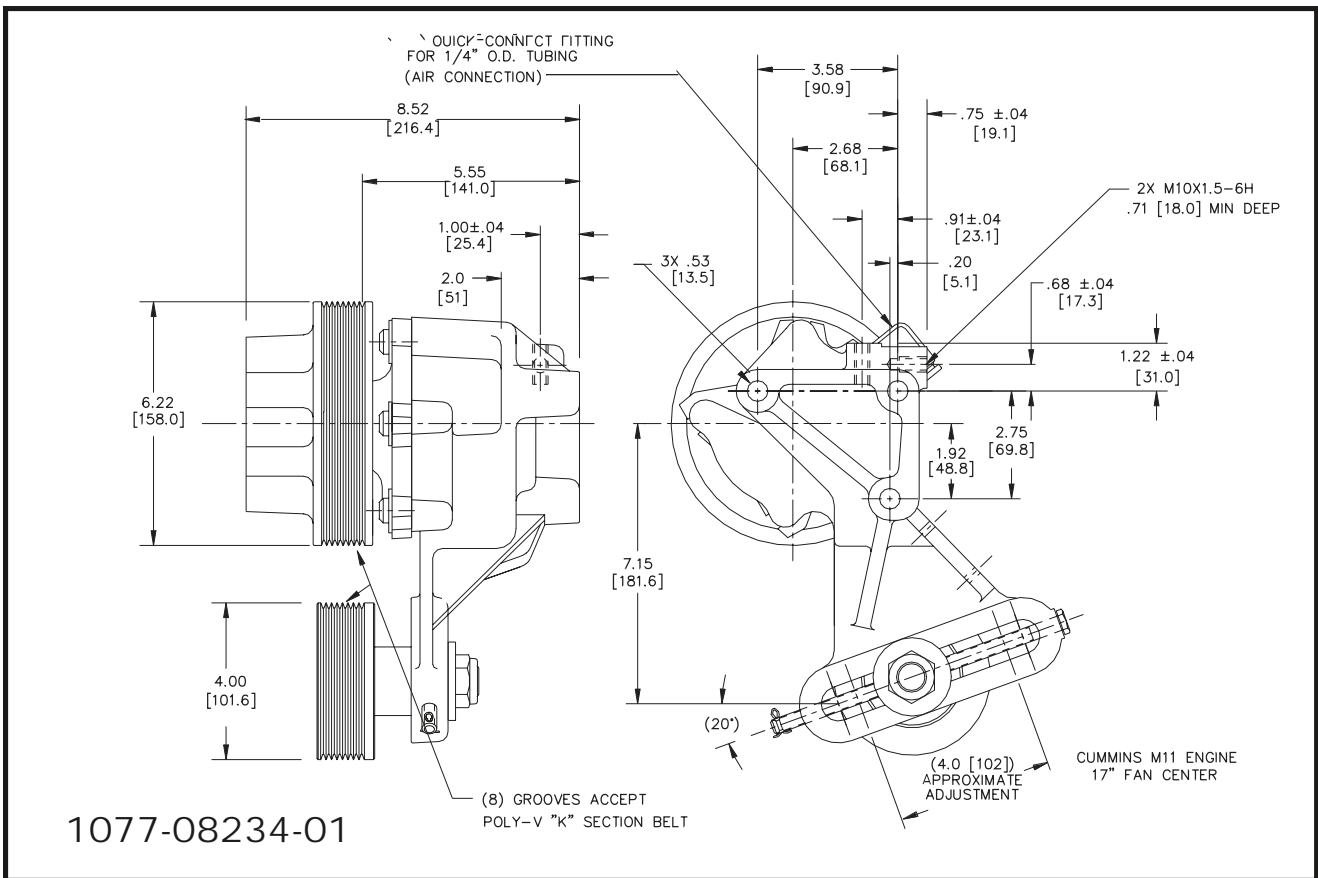
DIMENSIONS IN [XX] ARE IN MILLIMETERS

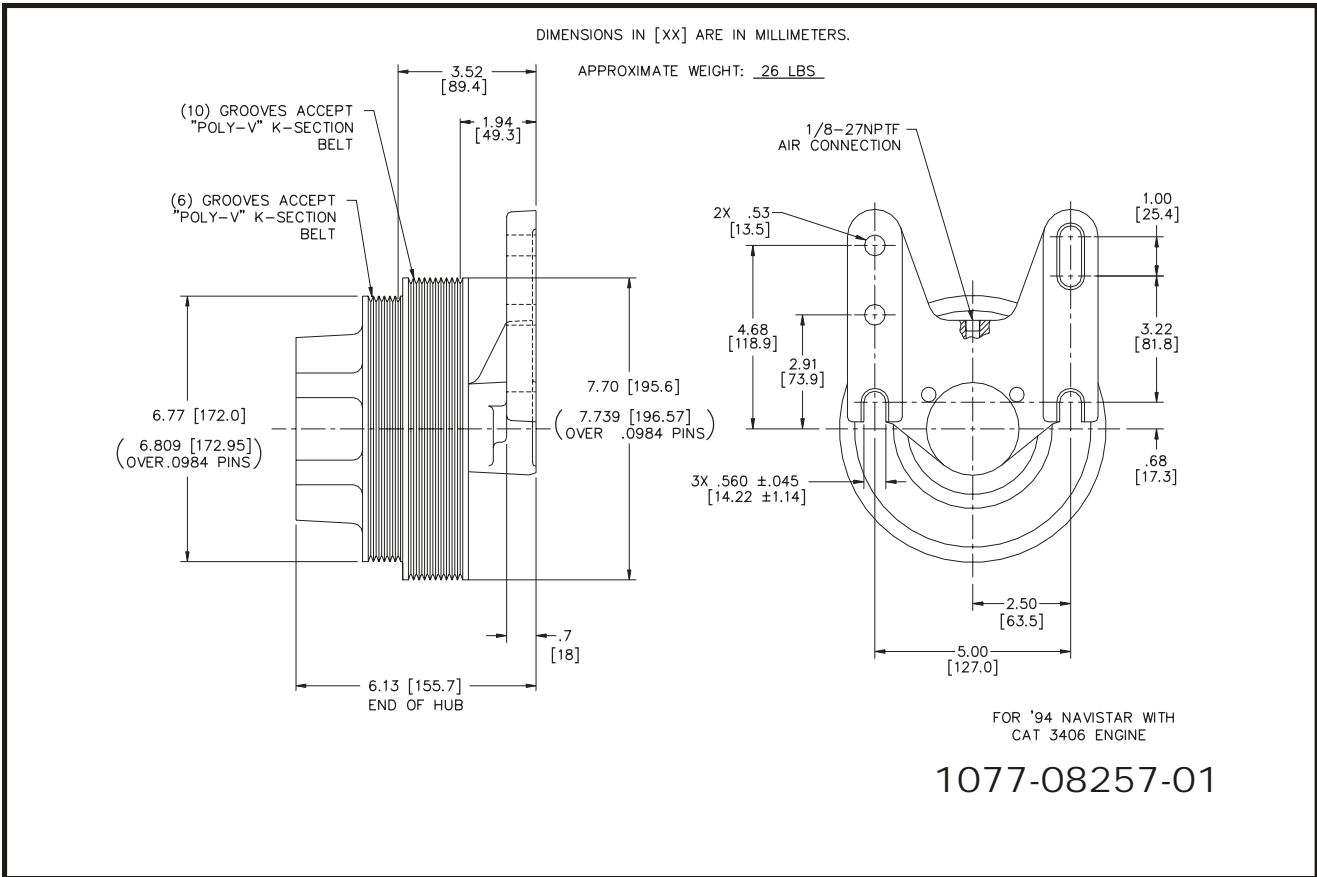
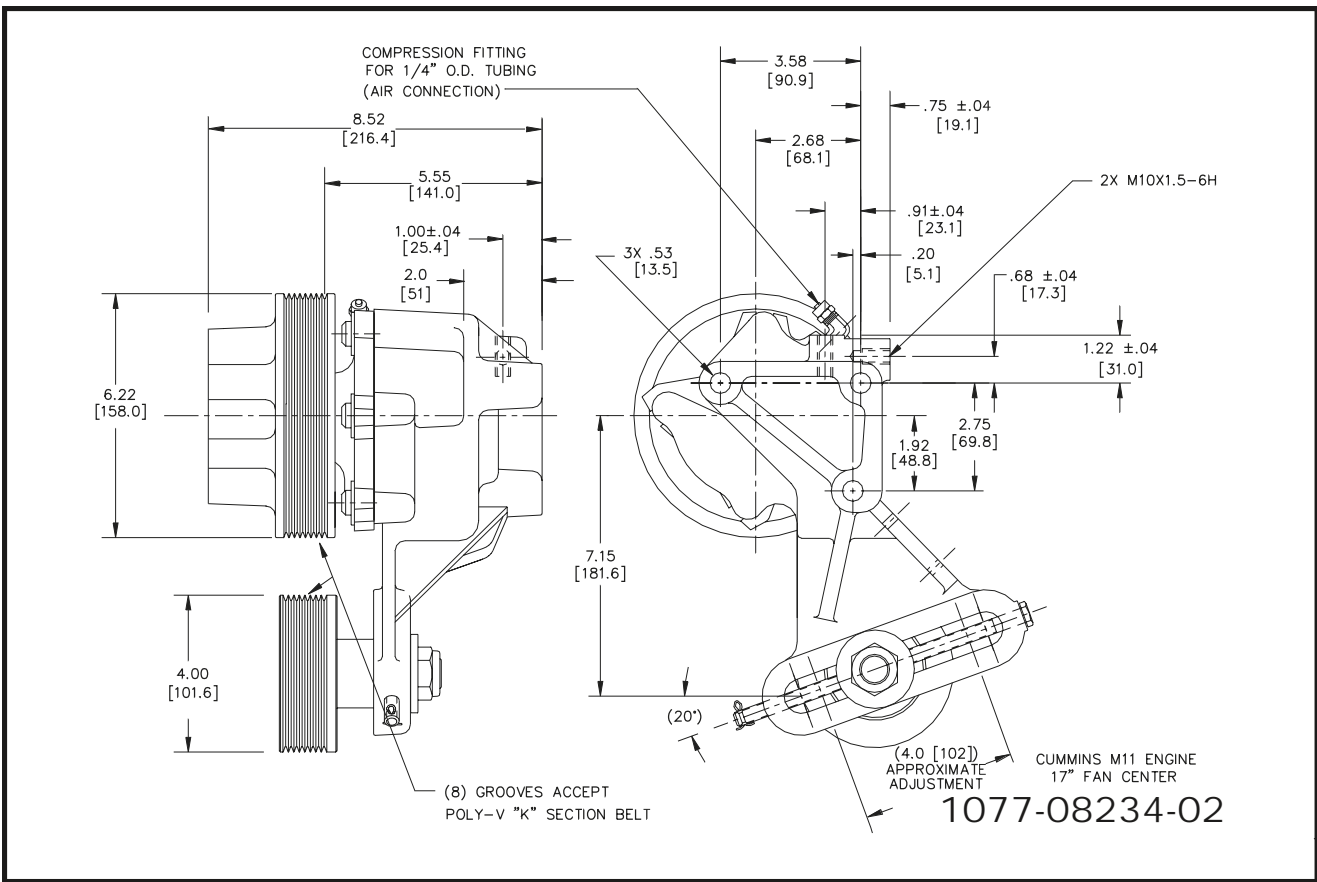
APPROXIMATE WEIGHT: .25 LBS.



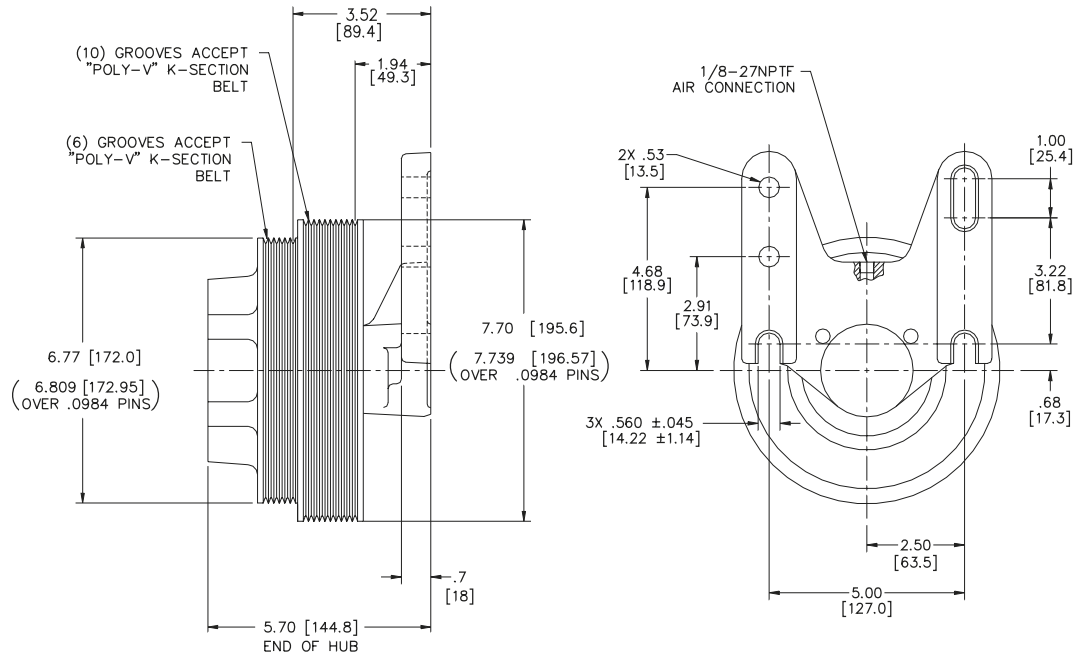
WITH CUMMINS N14 EN INE

1077-08231-01





DIMENSIONS IN [XX] ARE IN MILLIMETERS.

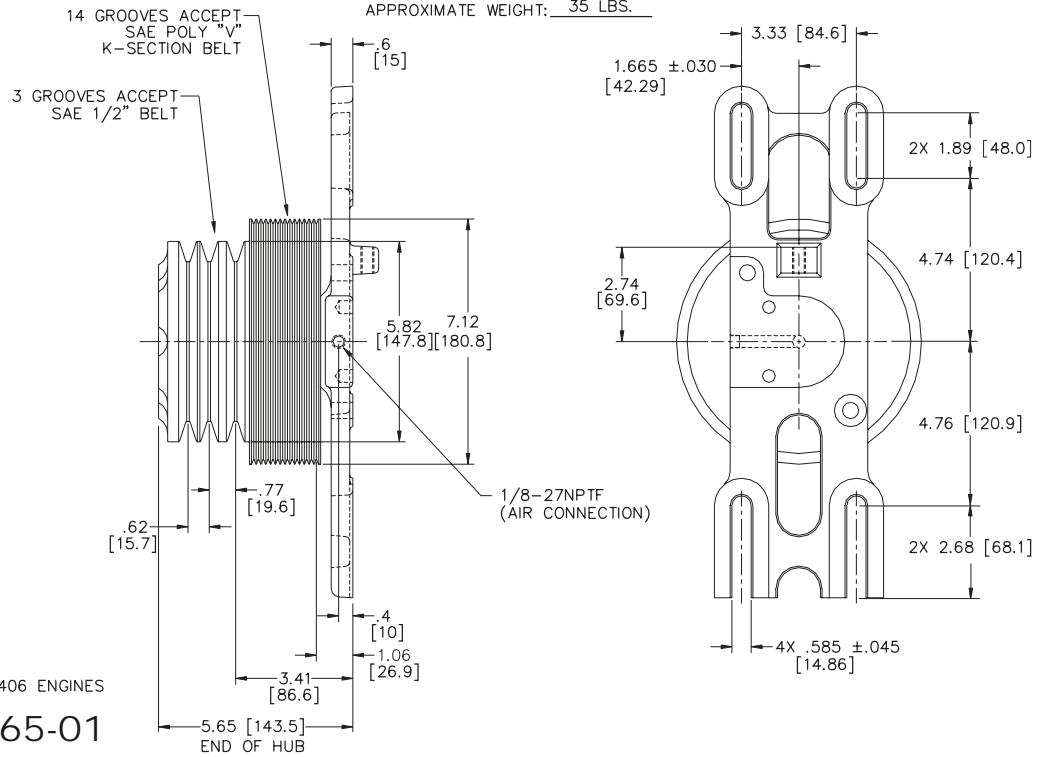


NAVISTAR 9000/CAT 3406E ENGINE

1077-08257-03

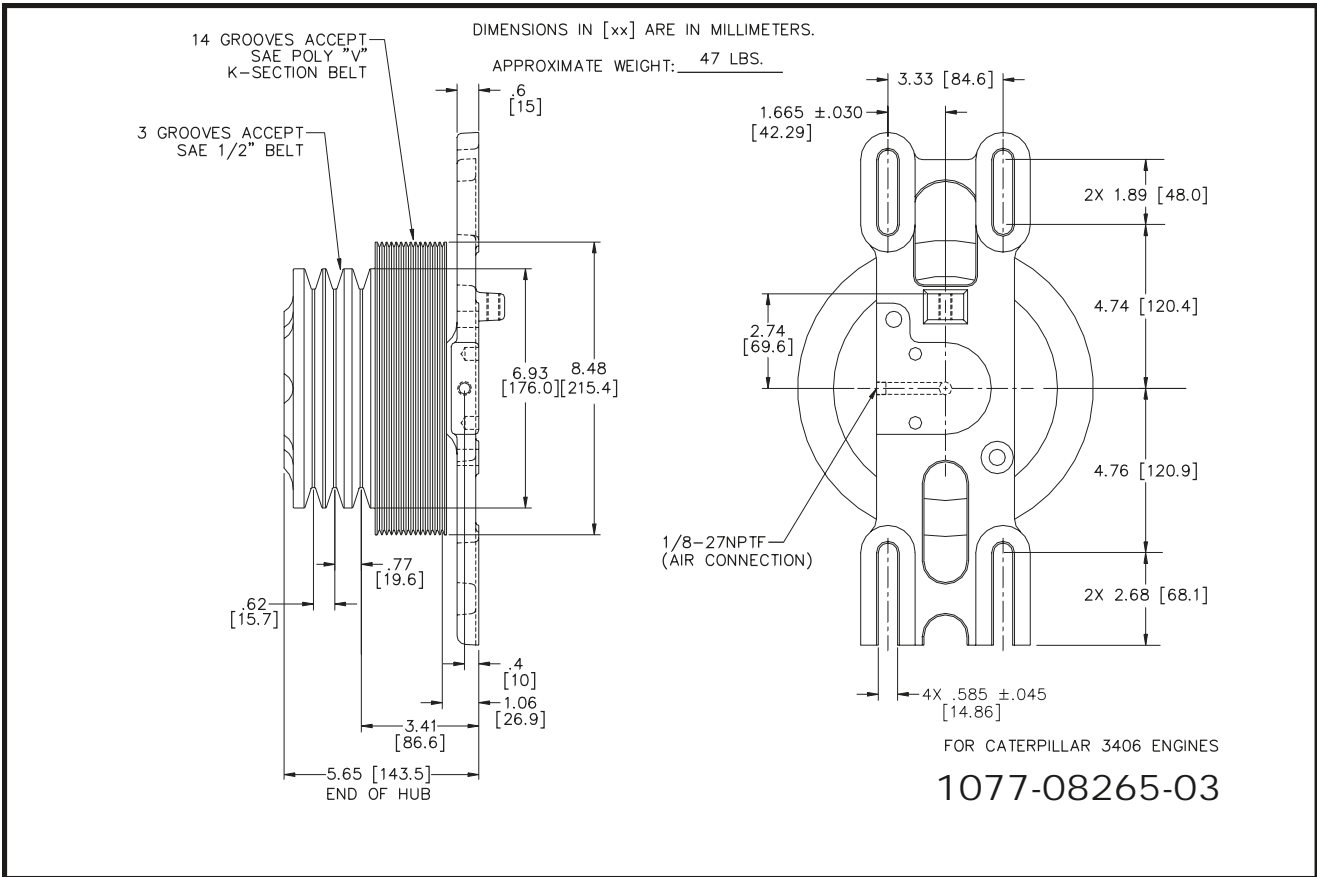
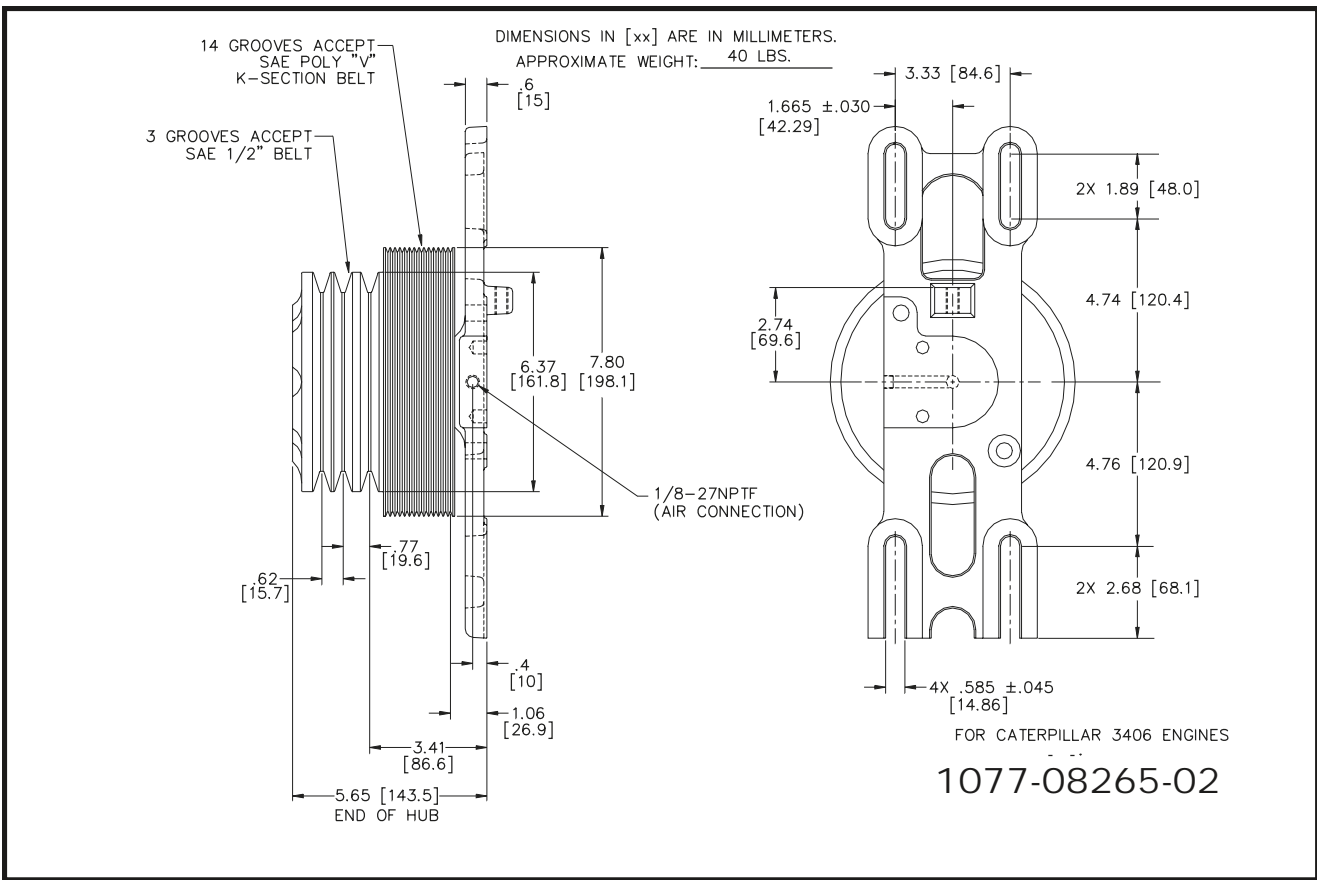
DIMENSIONS IN [xx] ARE IN MILLIMETERS.

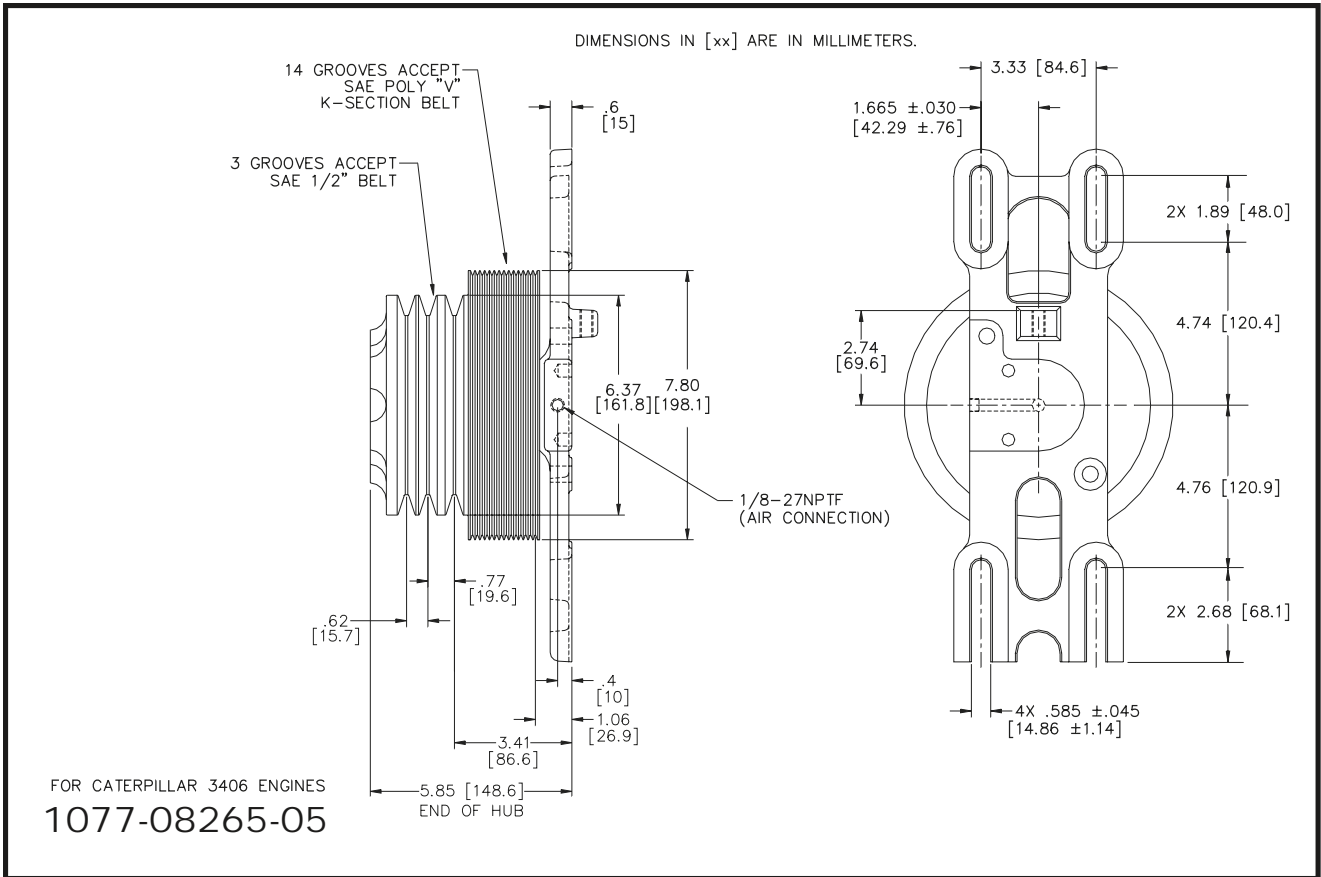
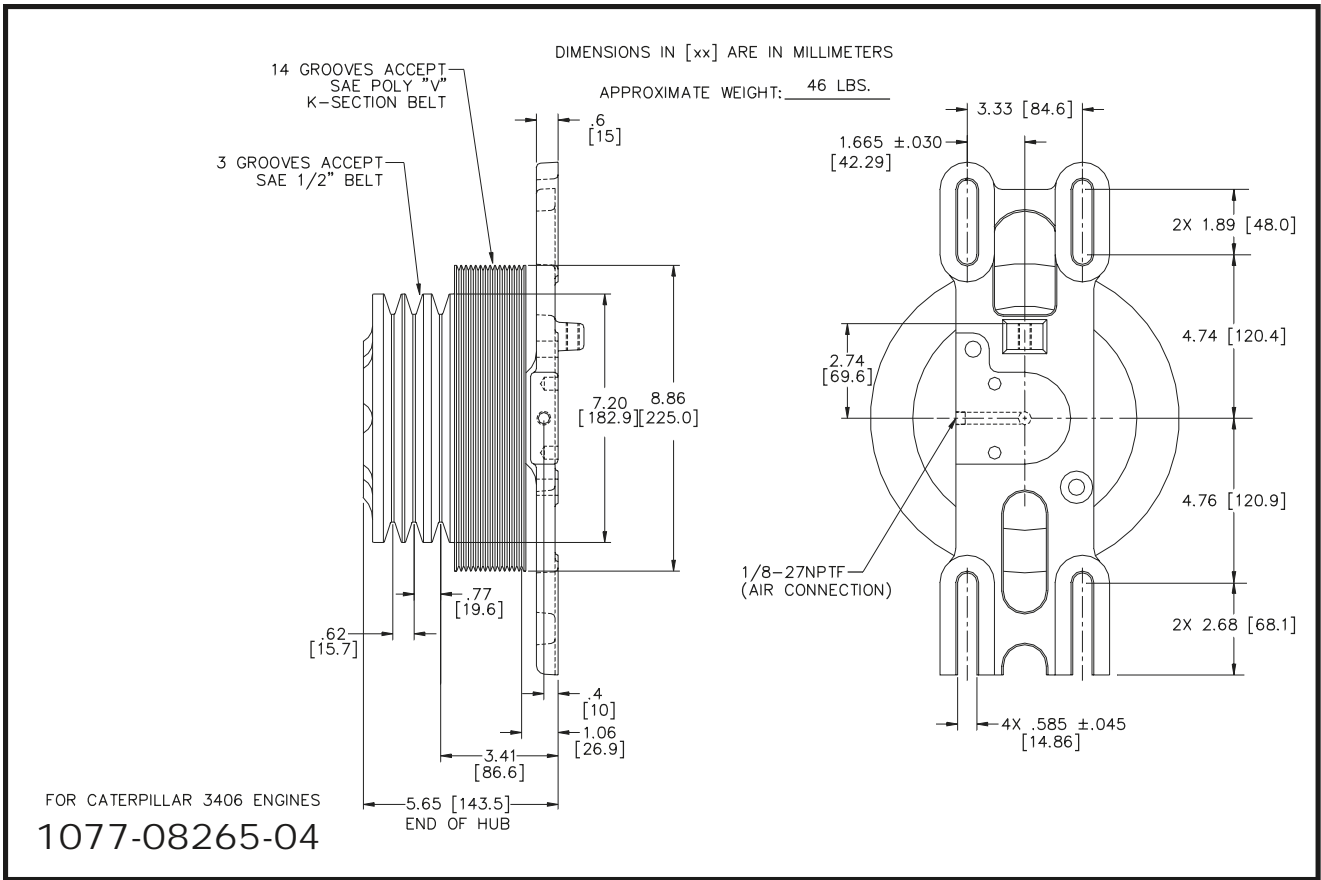
APPROXIMATE WEIGHT: 35 LBS.



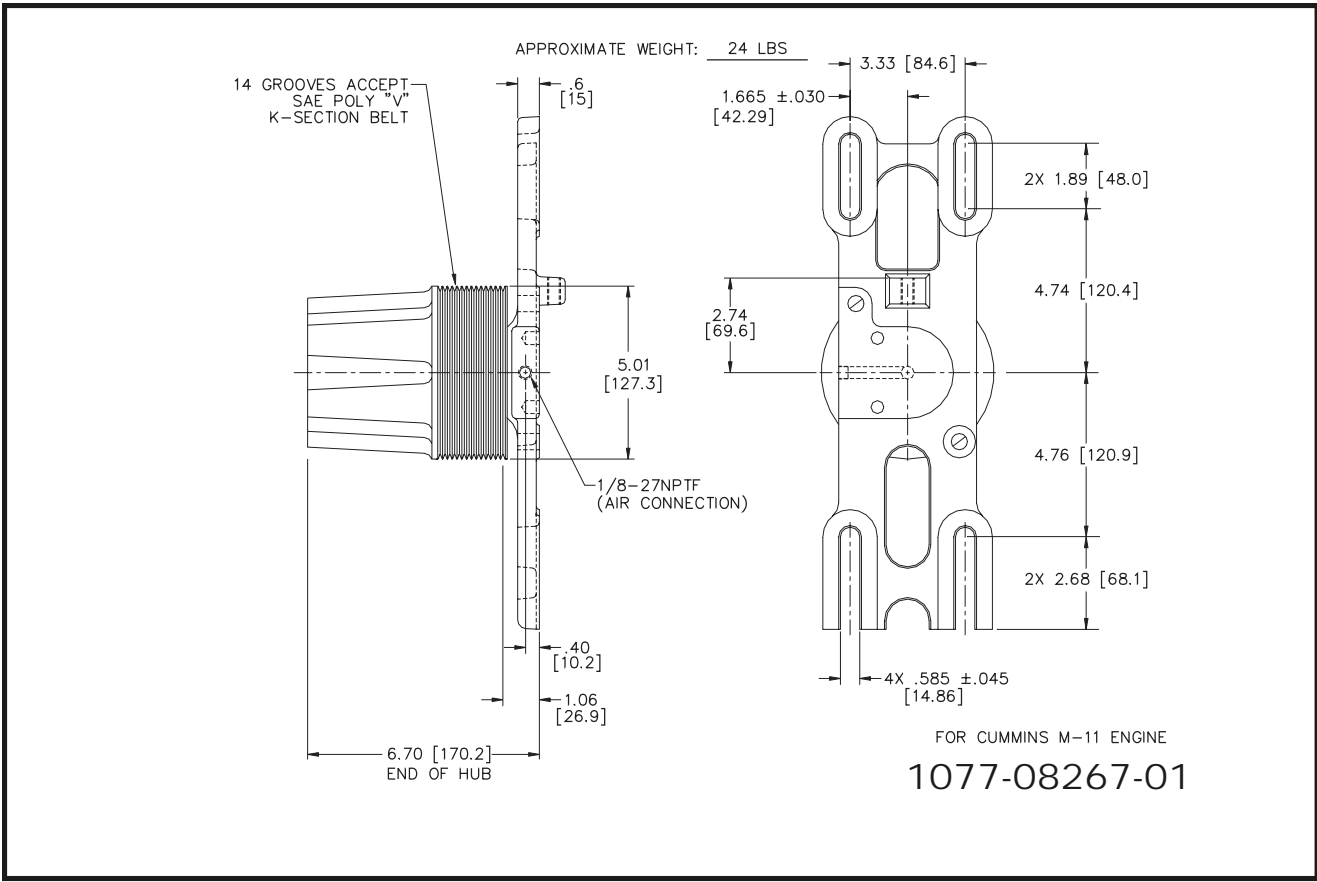
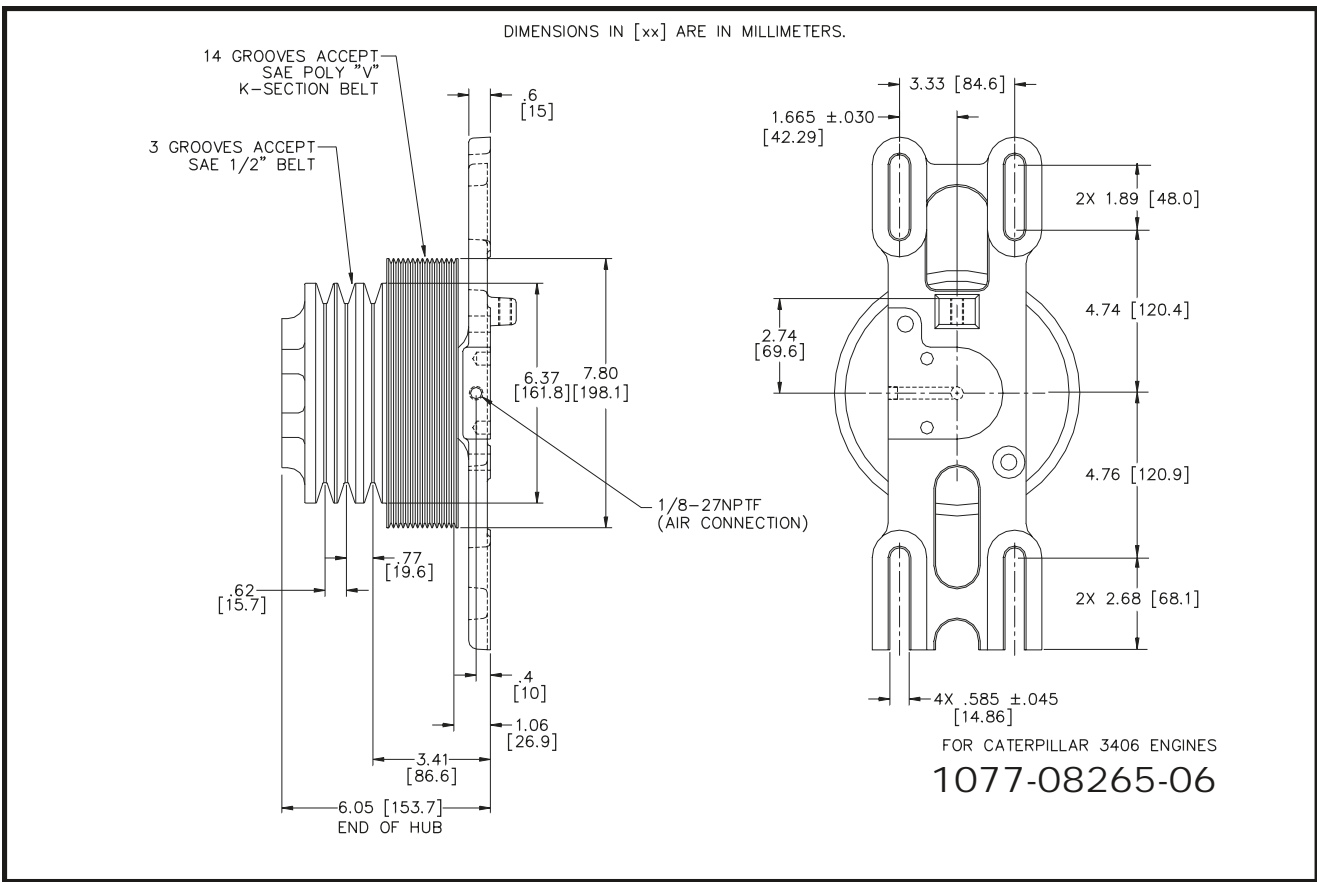
FOR CATERPILLAR 3406 ENGINES

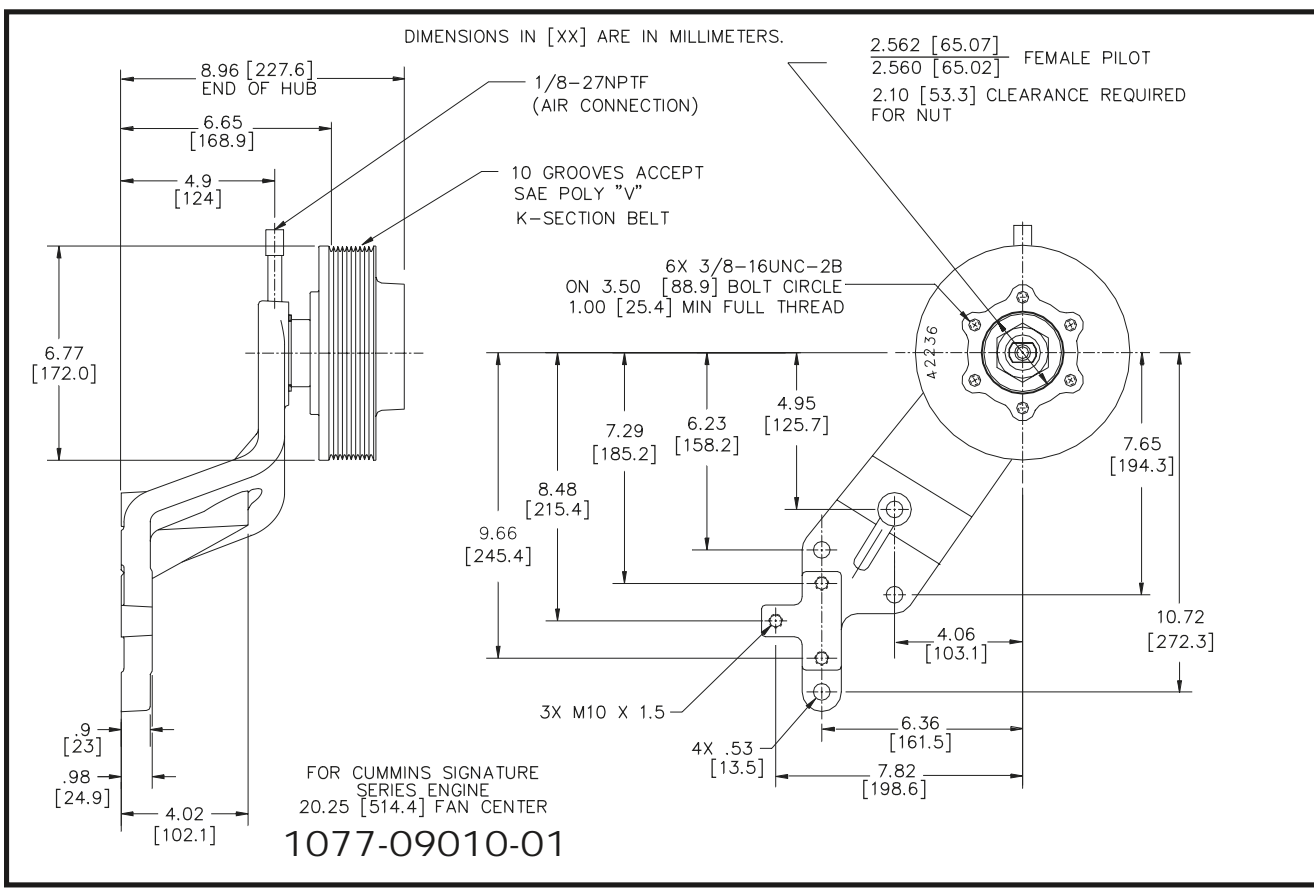
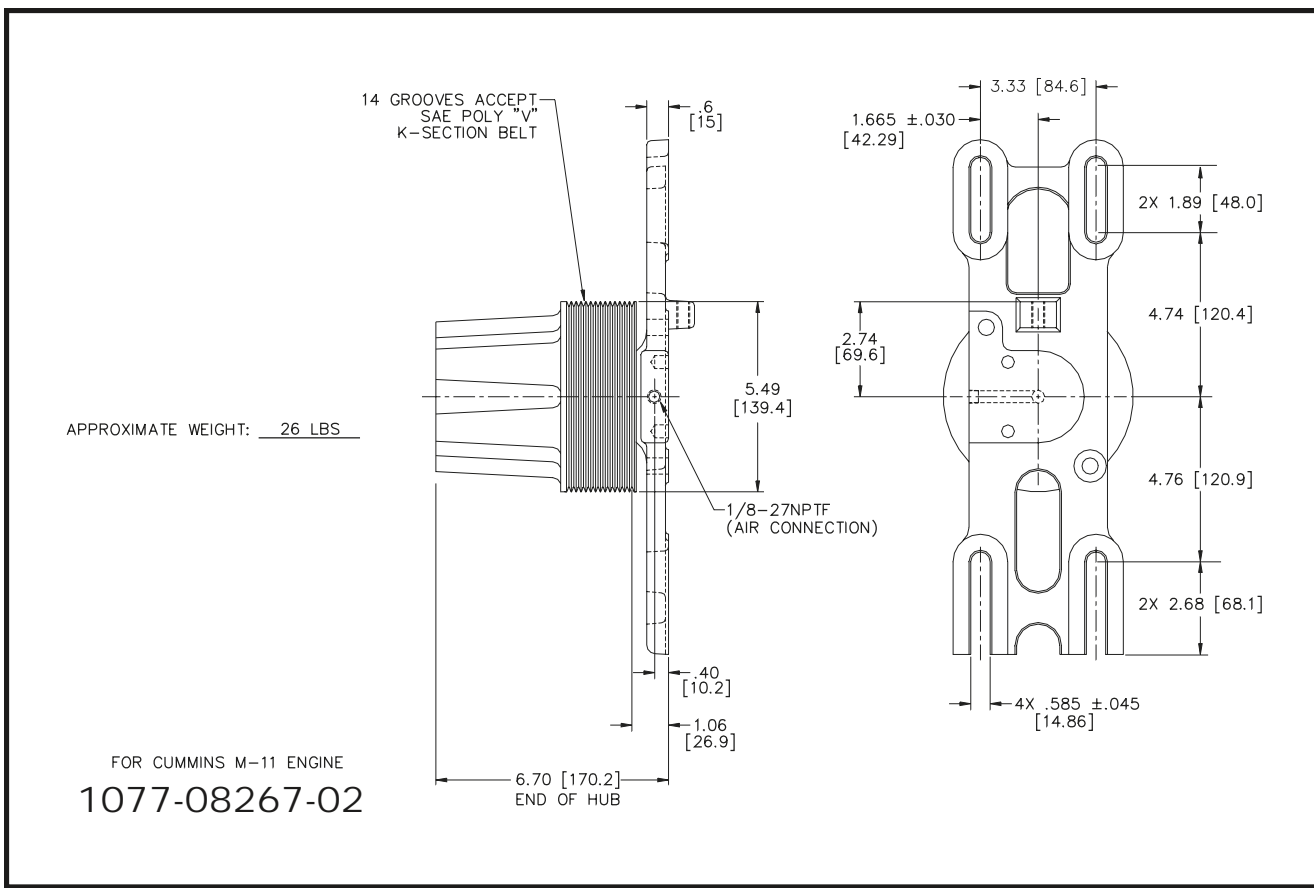
1077-08265-01

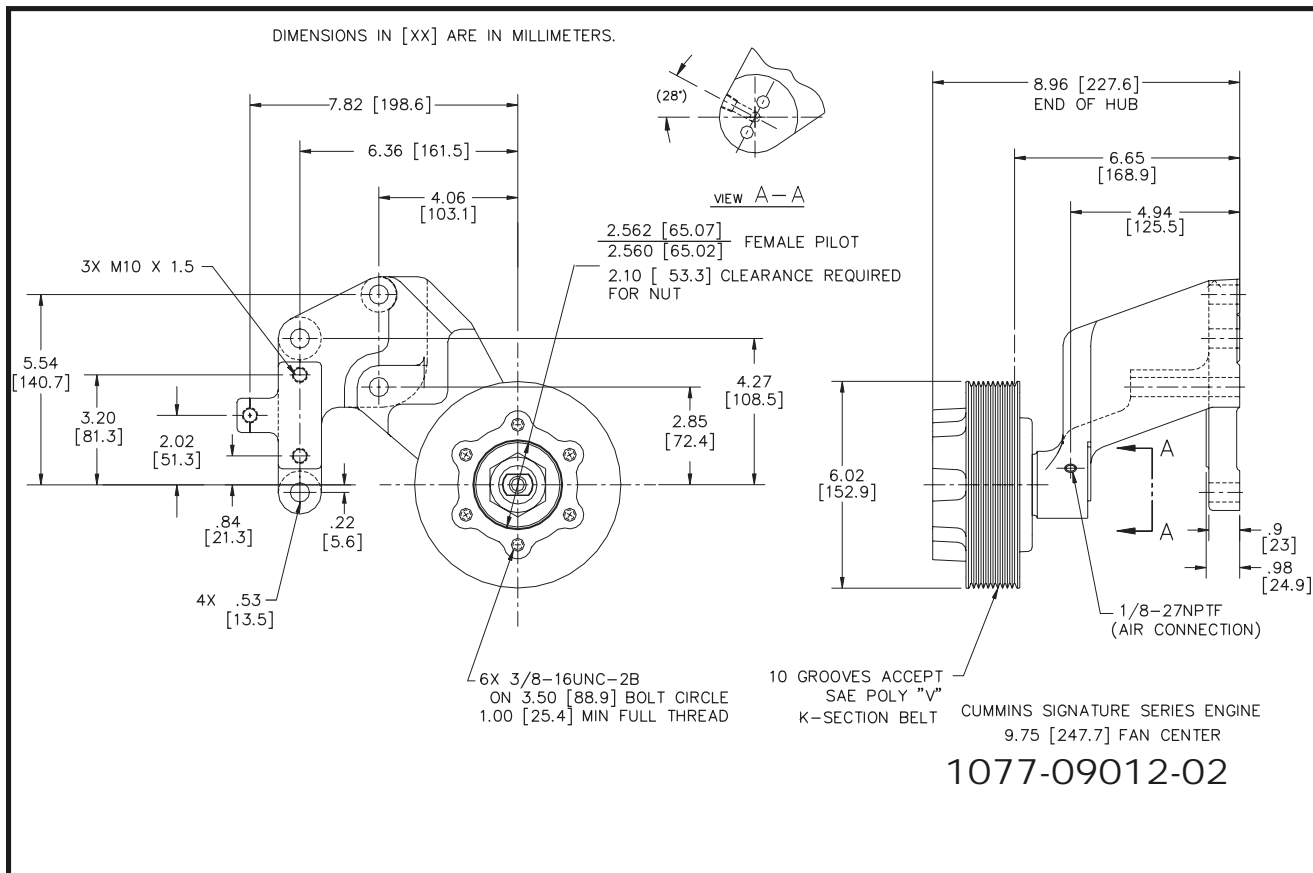
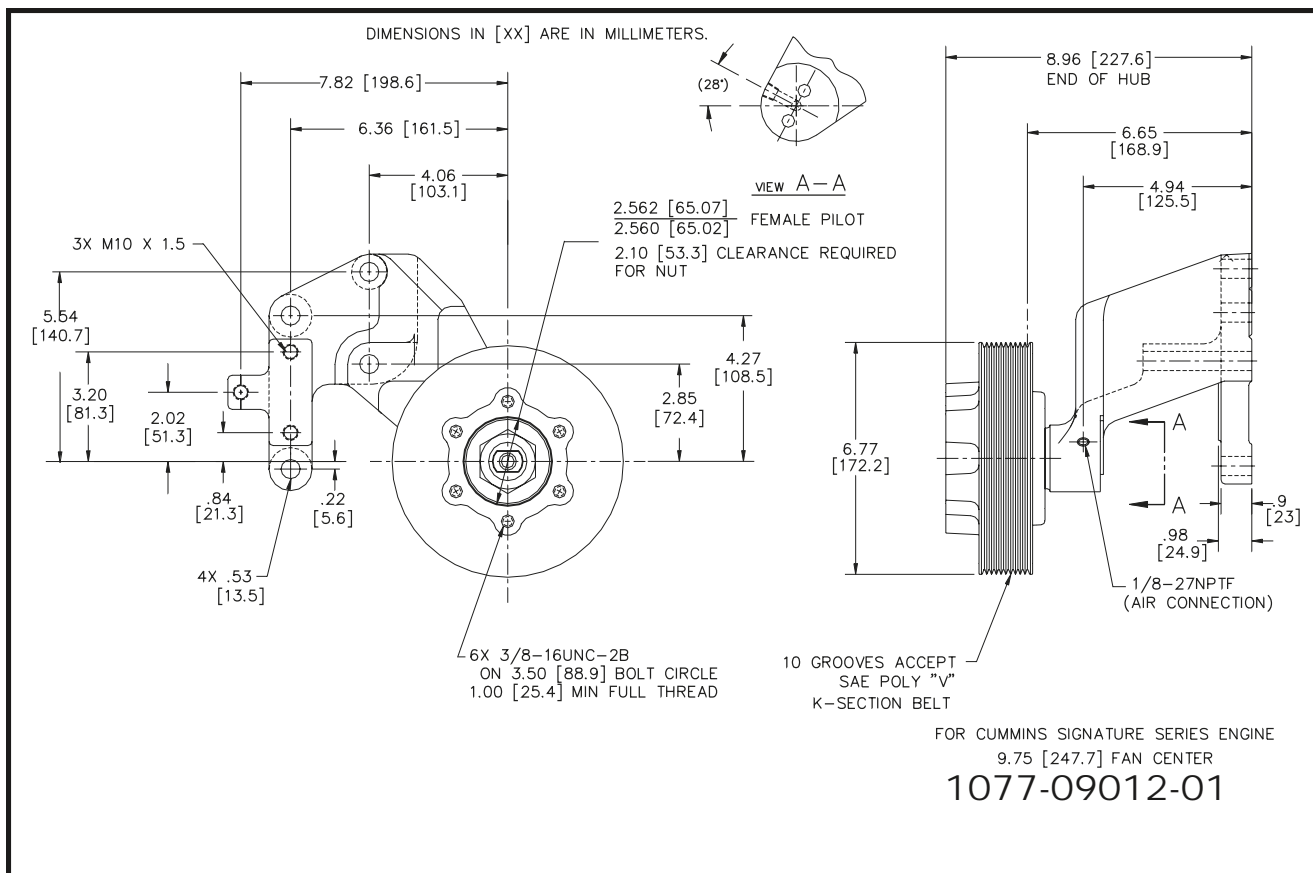




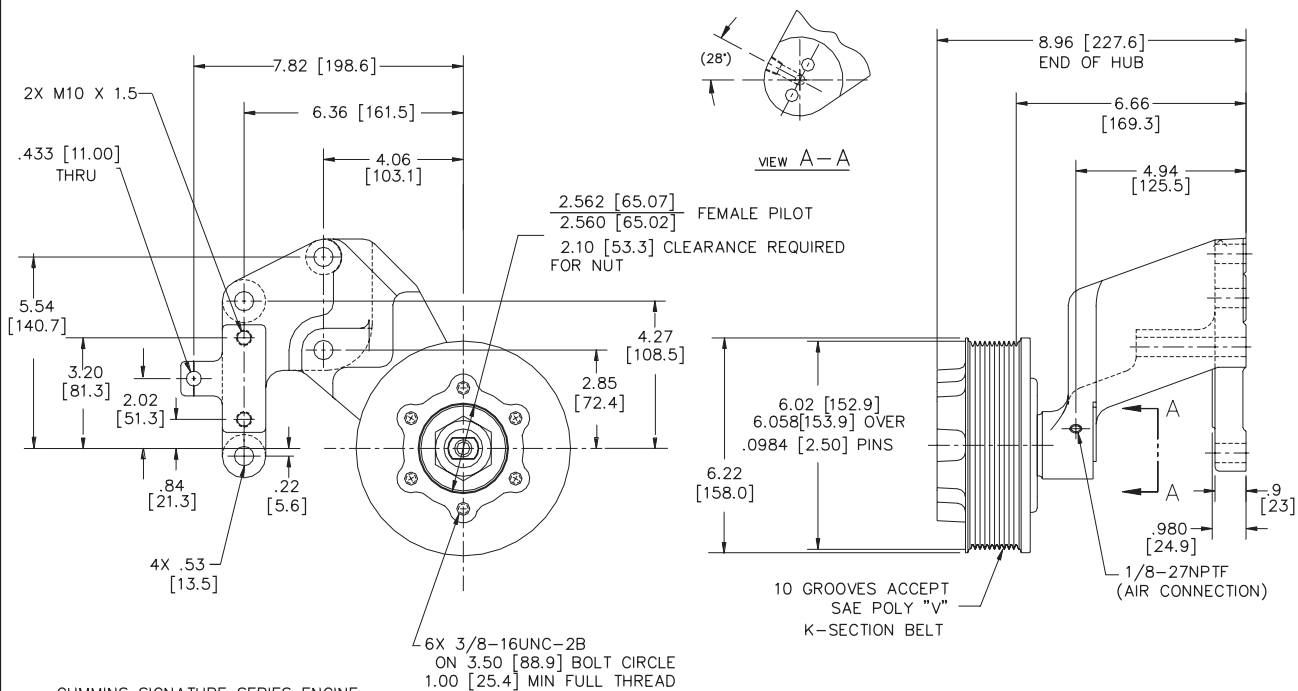








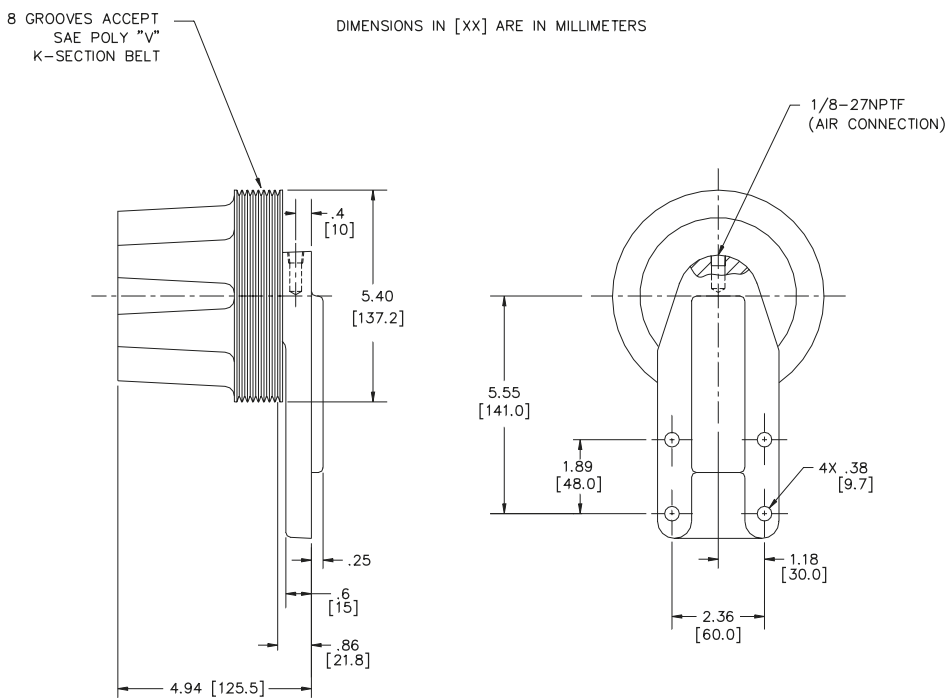
DIMENSIONS IN [XX] ARE IN MILLIMETERS.



CUMMINS SIGNATURE SERIES ENGINE  
9.75 [247.7] FAN CENTER

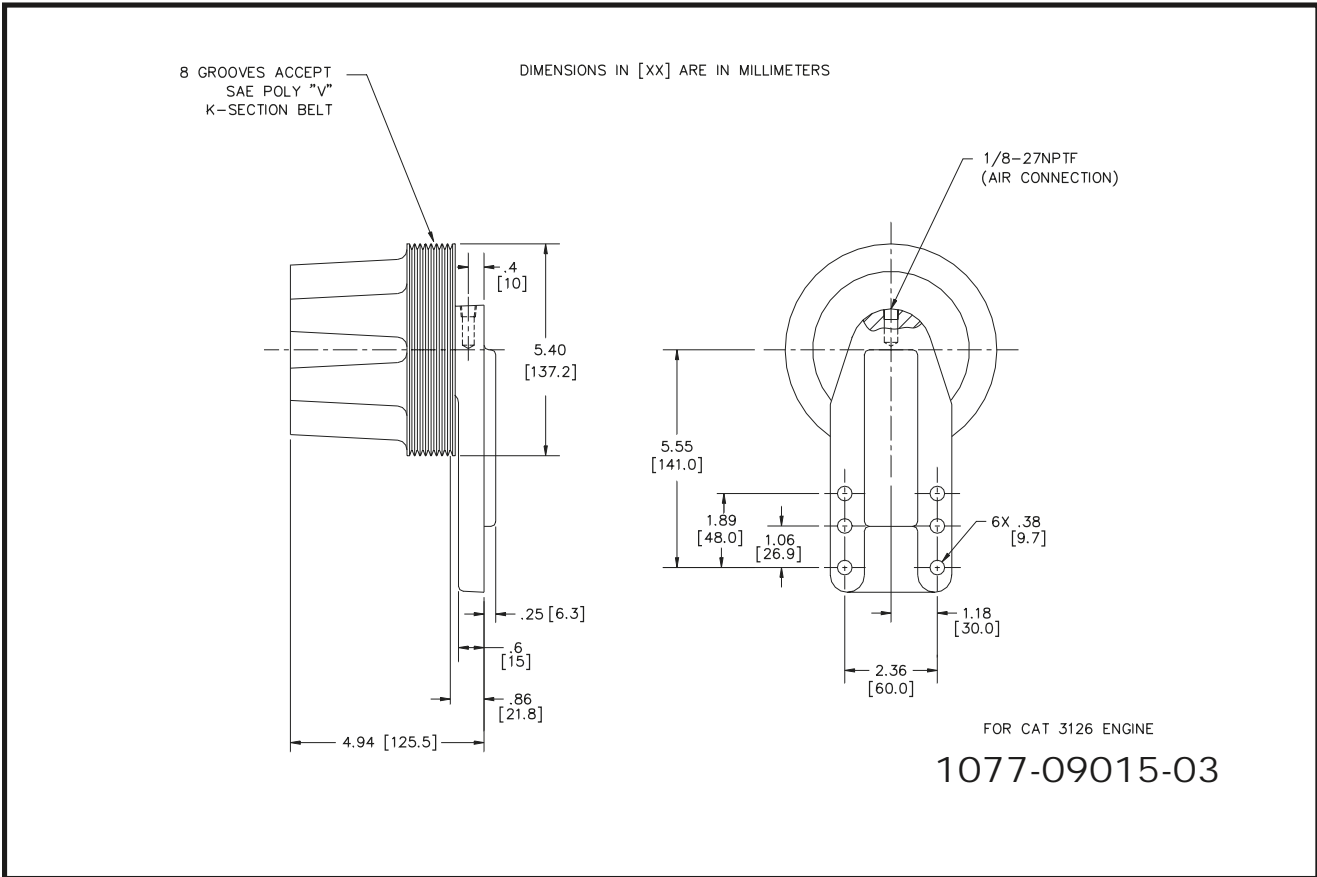
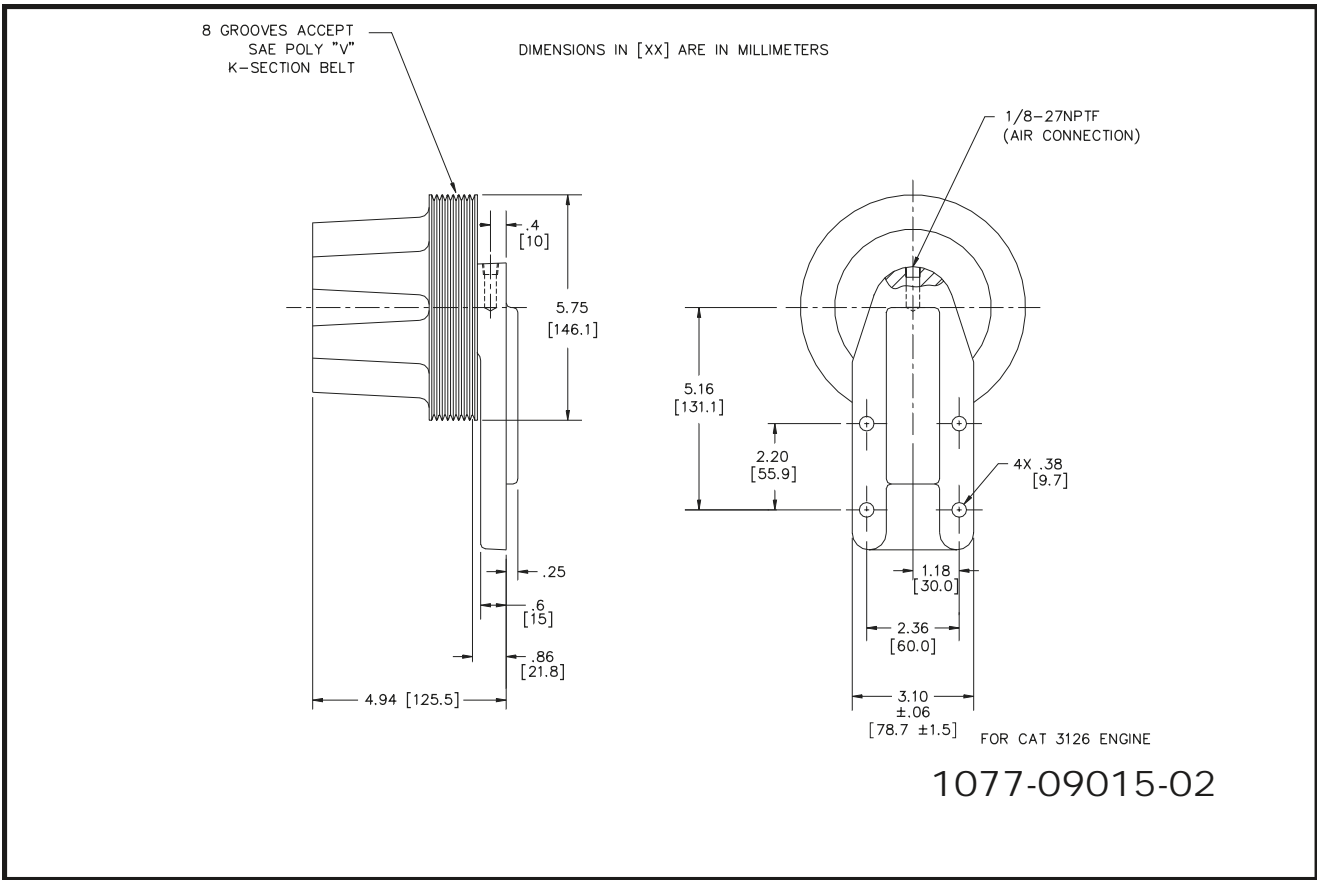
1077-09012-04

DIMENSIONS IN [XX] ARE IN MILLIMETERS



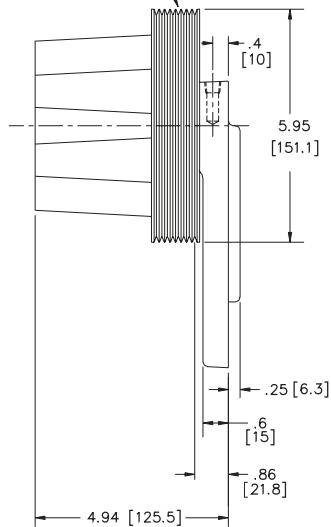
FOR CAT 3126 ENGINE

1077-09015-01

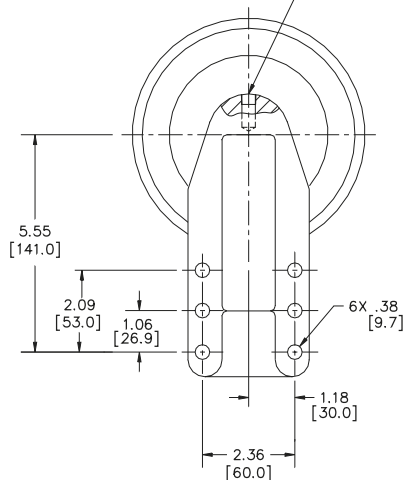


DIMENSIONS IN [XX] ARE IN MILLIMETERS

8 GROOVES ACCEPT  
SAE POLY "V"  
K-SECTION BELT



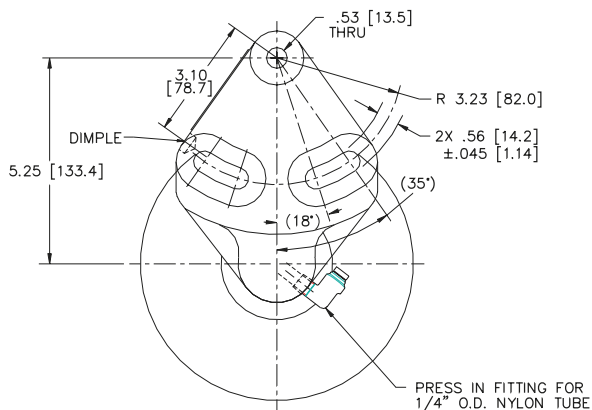
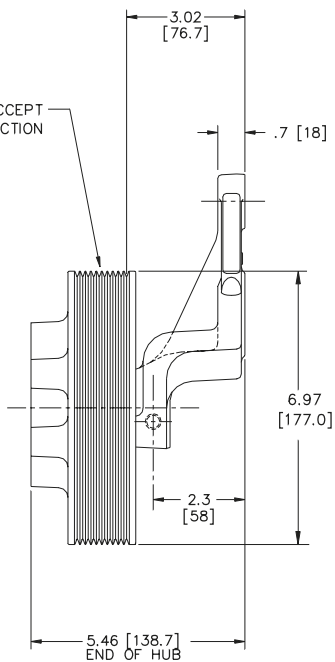
1/8-27NPTF  
(AIR CONNECTION)



FOR CAT 3126 ENGINE

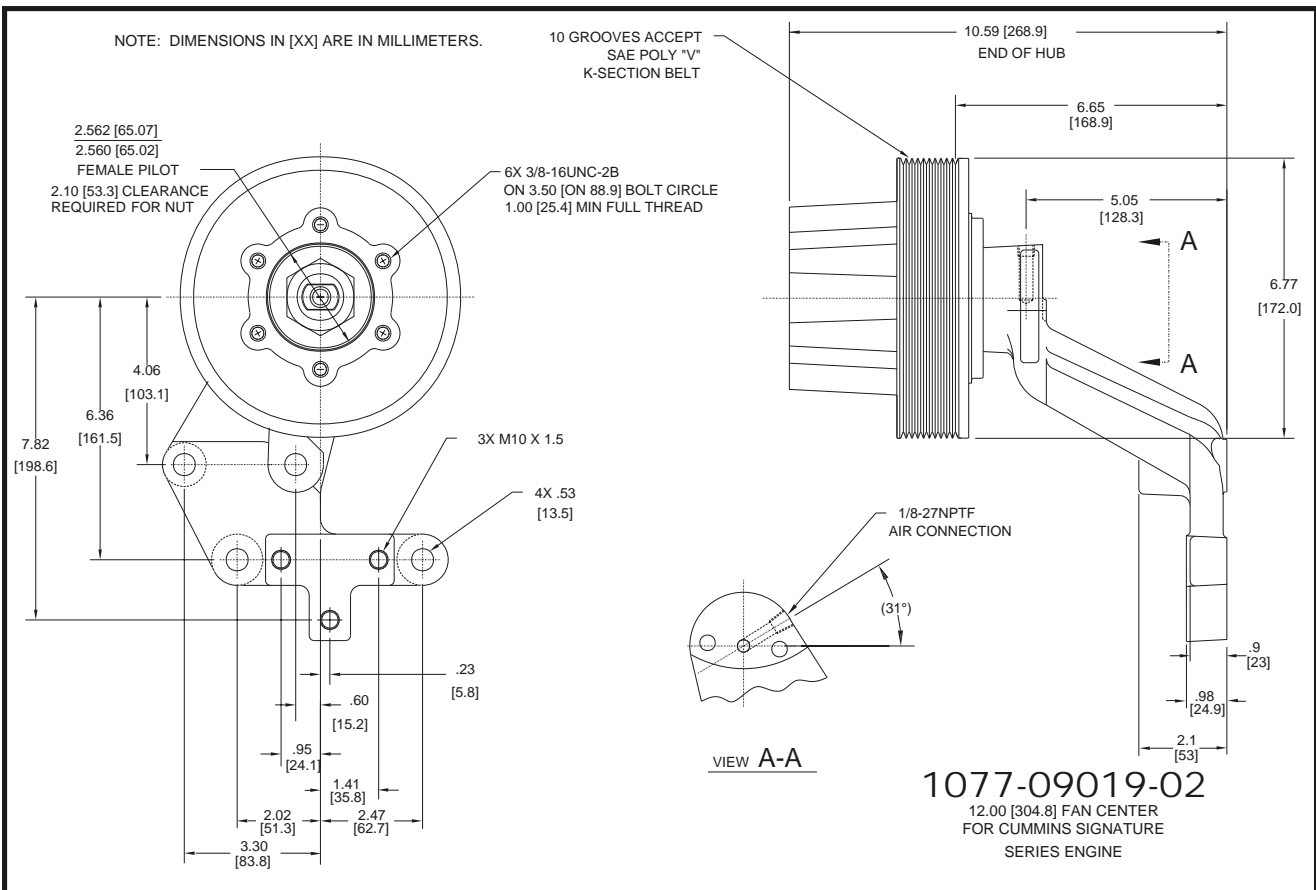
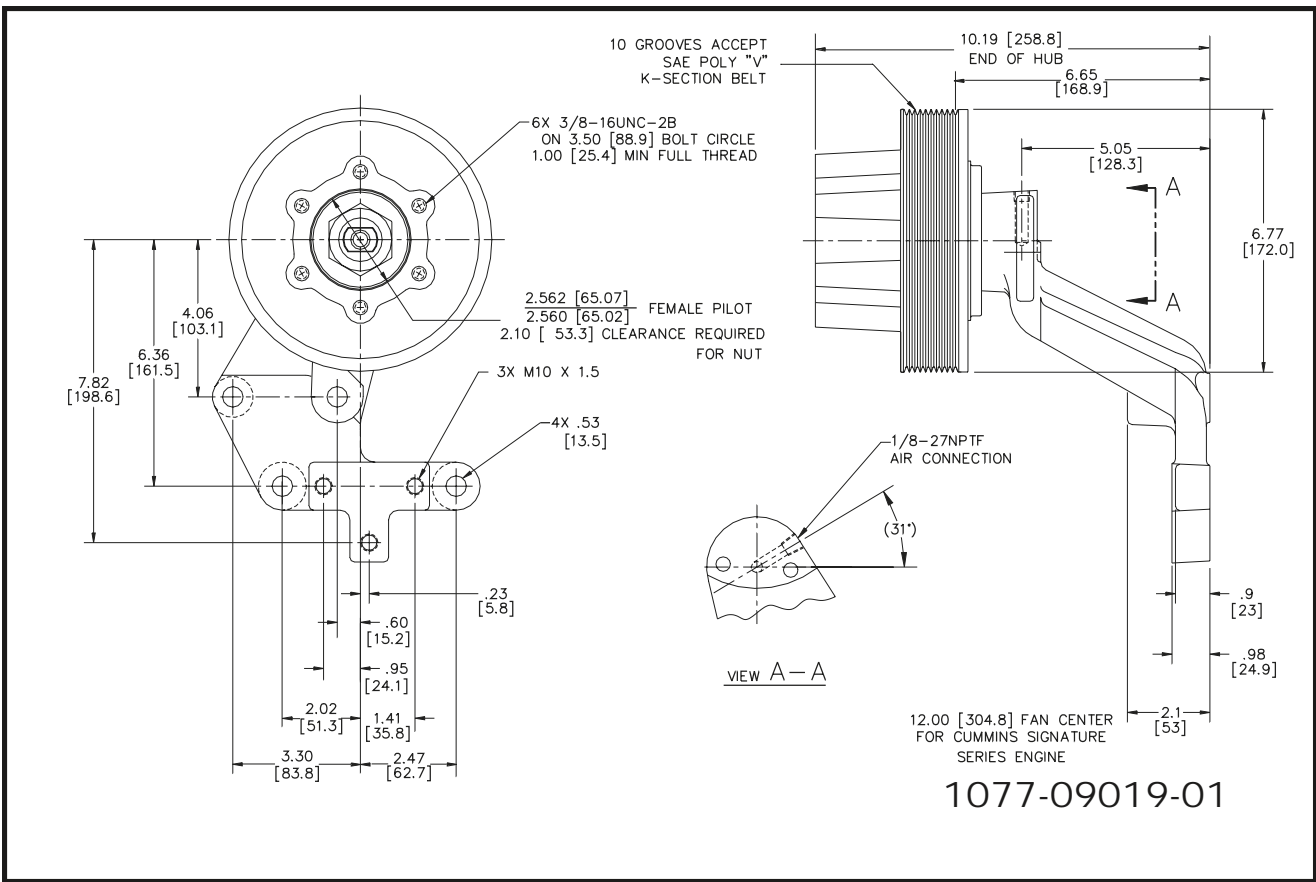
1077-09015-04

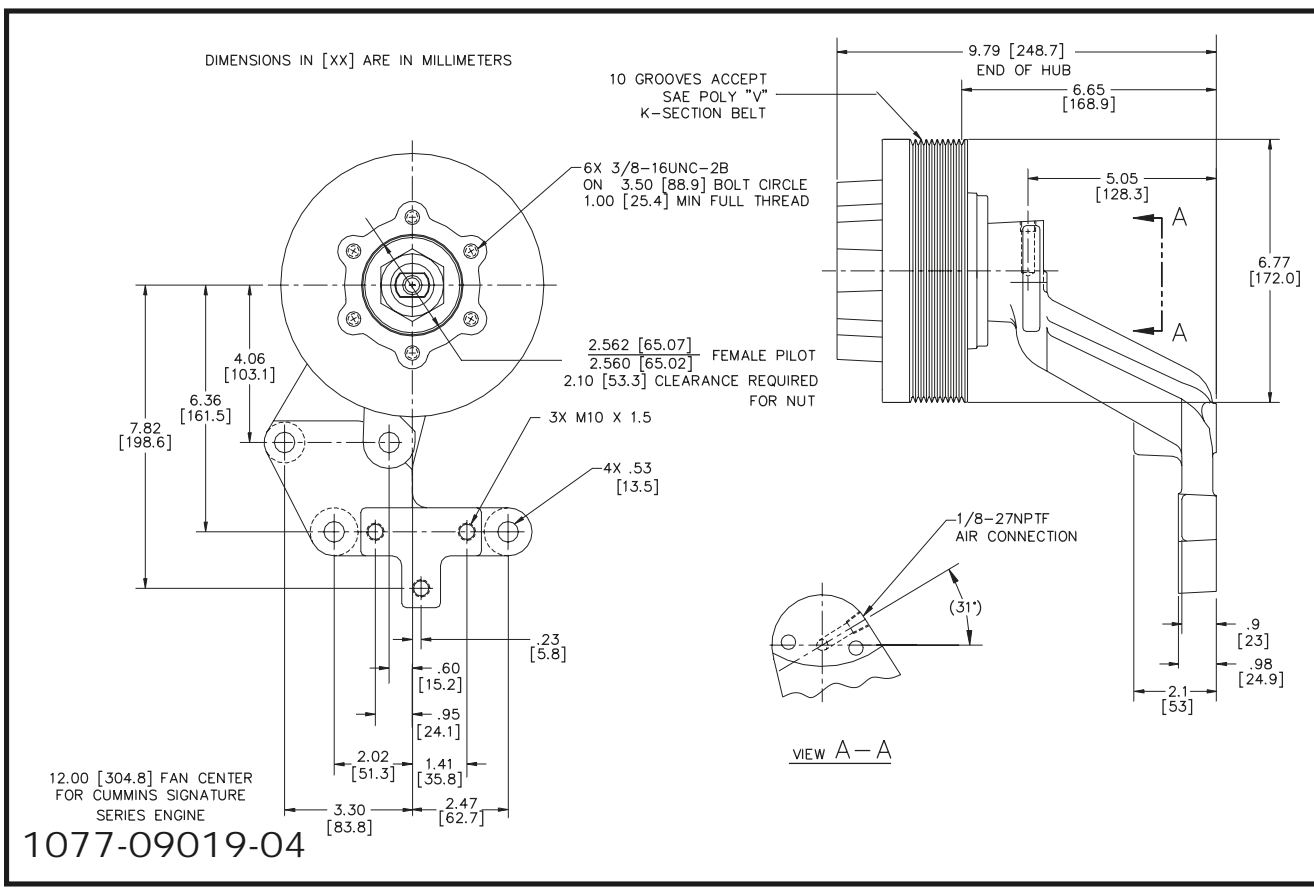
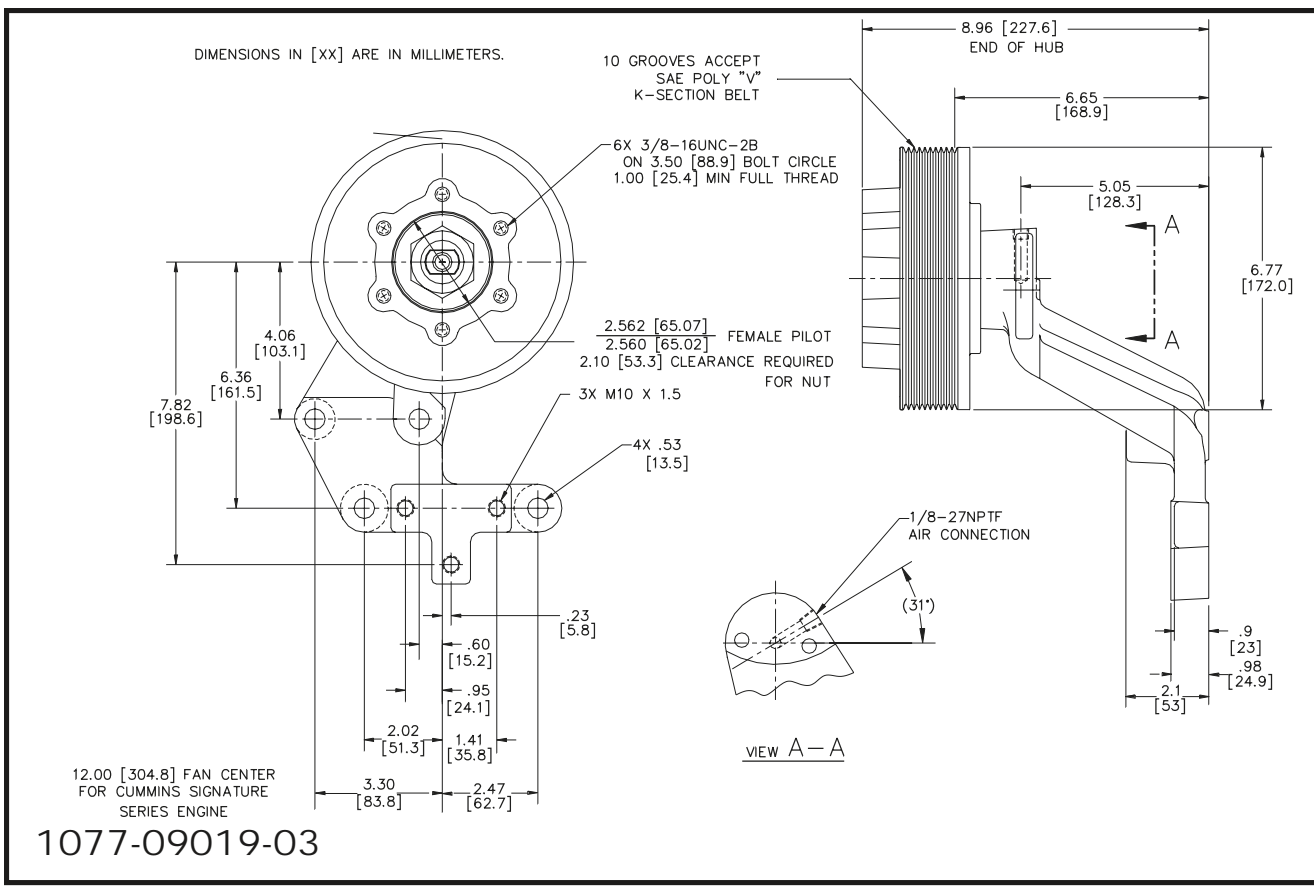
10 GROOVES ACCEPT  
"POLY-V" K-SECTION  
BELT



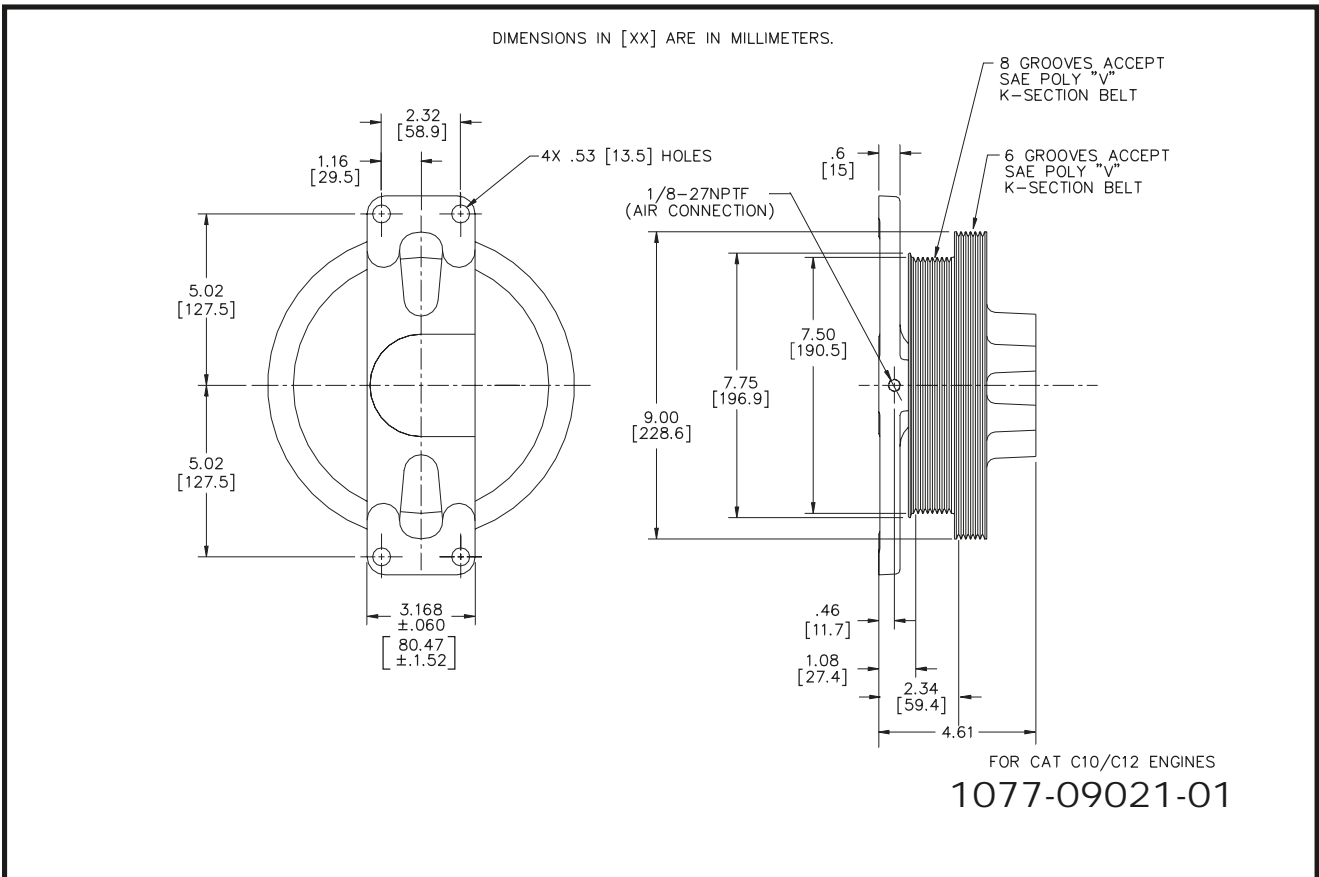
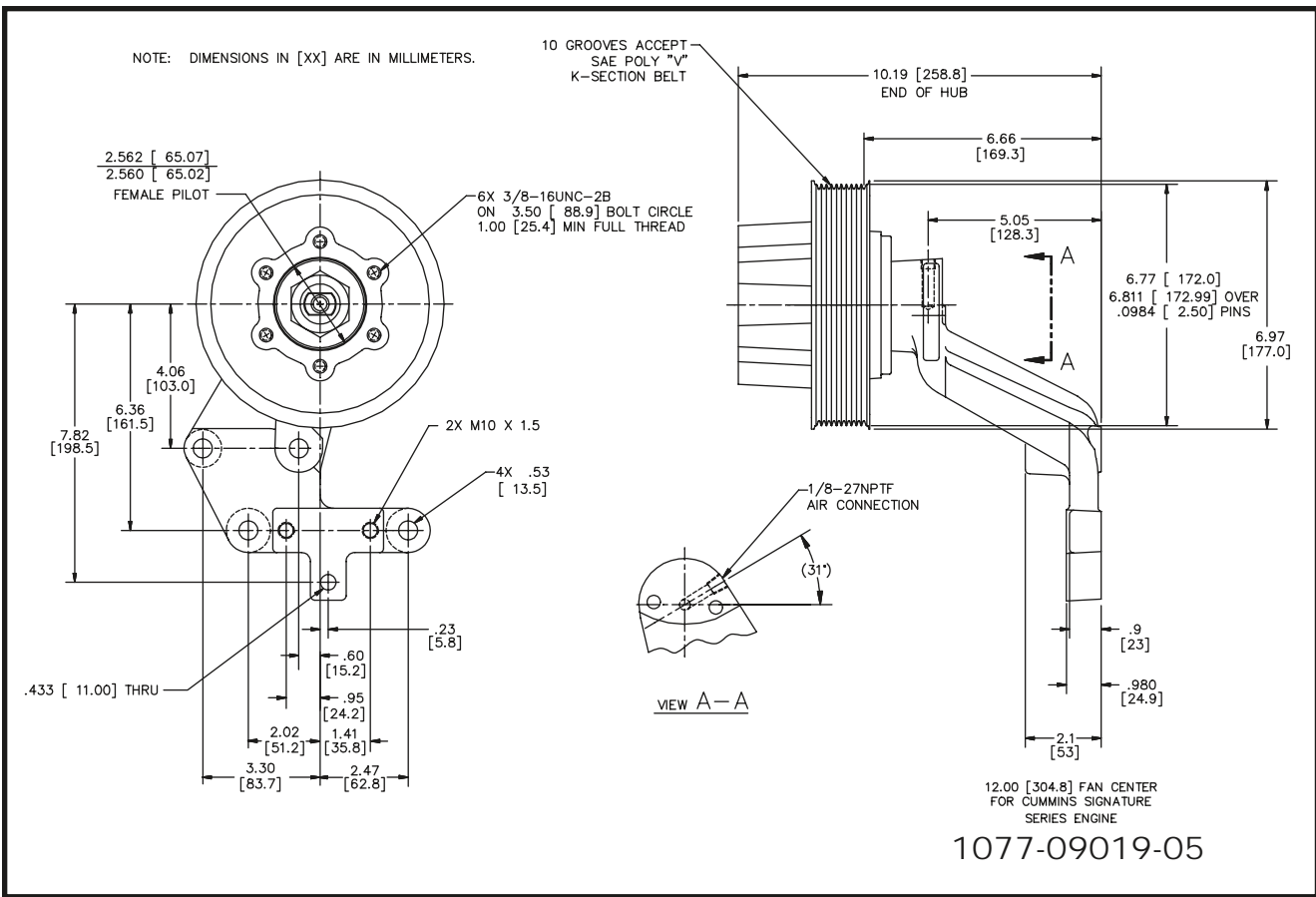
FOR CUMMINS N14 ENGINE

1077-09017-01

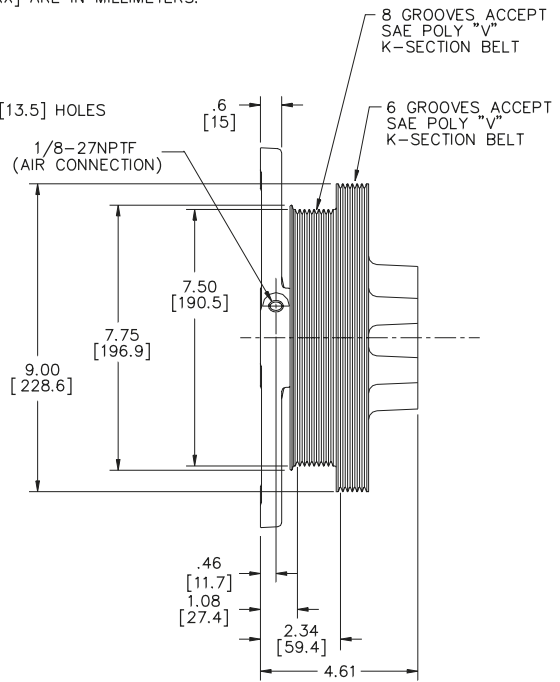
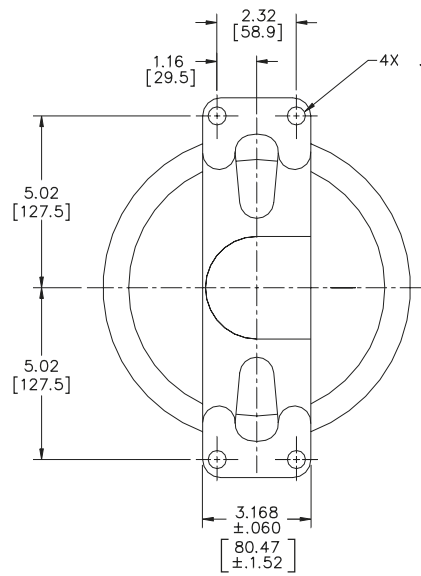








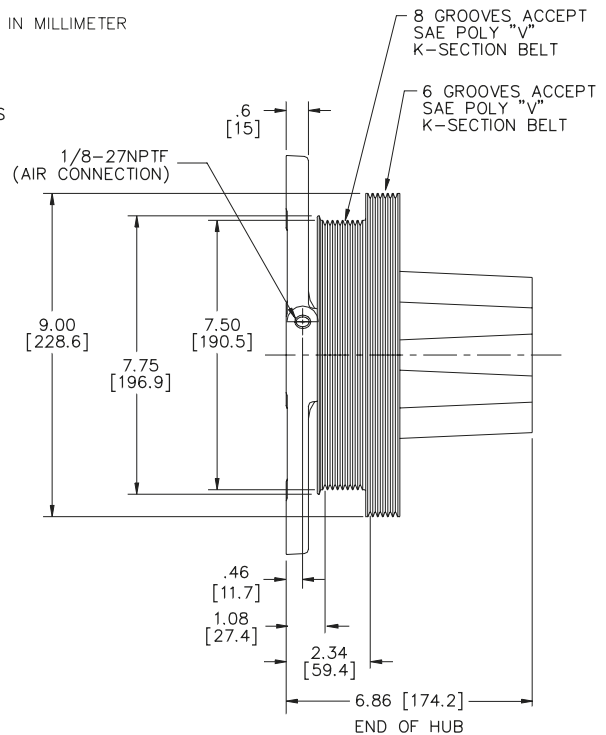
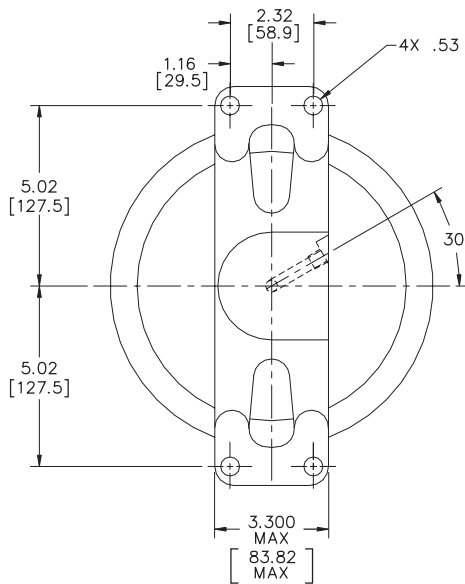
DIMENSIONS IN [XX] ARE IN MILLIMETERS.



FOR CAT C10/C12 ENGINES

1077-09021-02

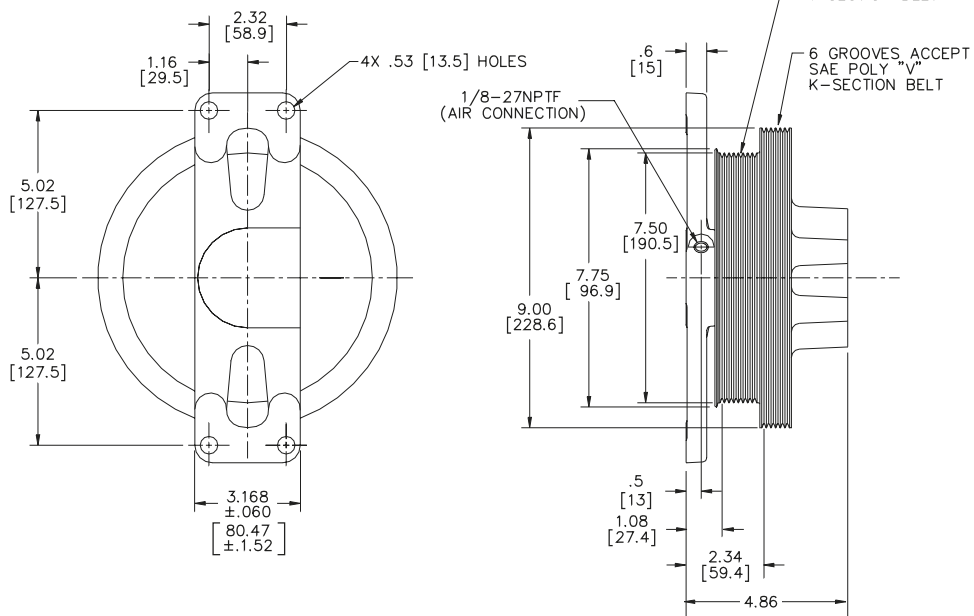
DIMENSIONS IN [XX] ARE IN MILLIMETER



FOR CAT C10/C12 ENGINES

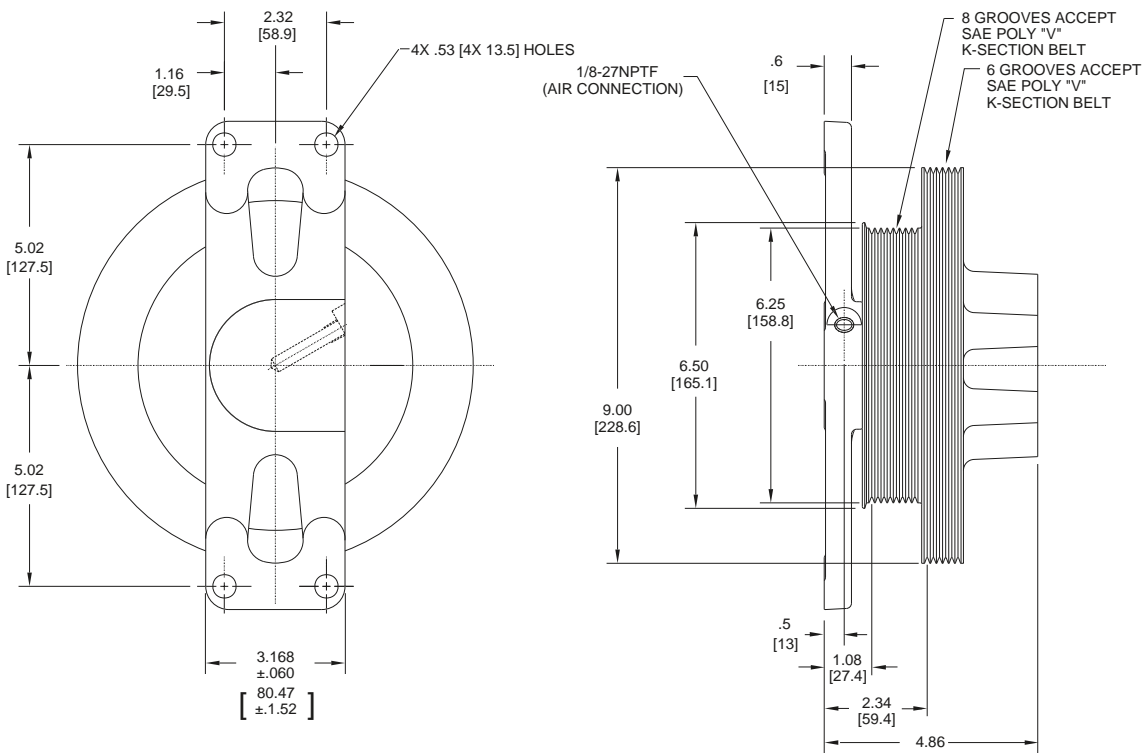
1077-09021-03

DIMENSIONS IN [XX] ARE IN MILLIMETERS.



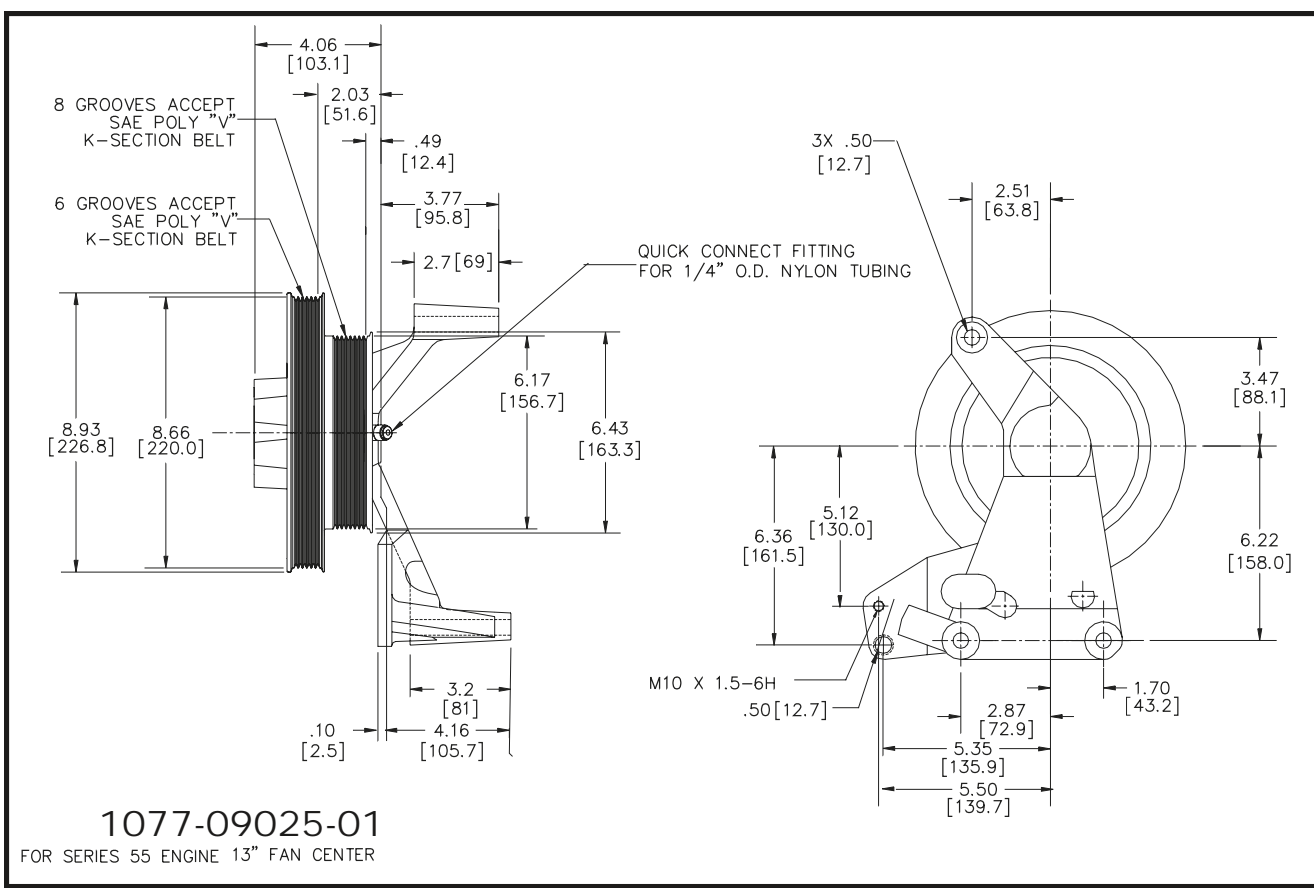
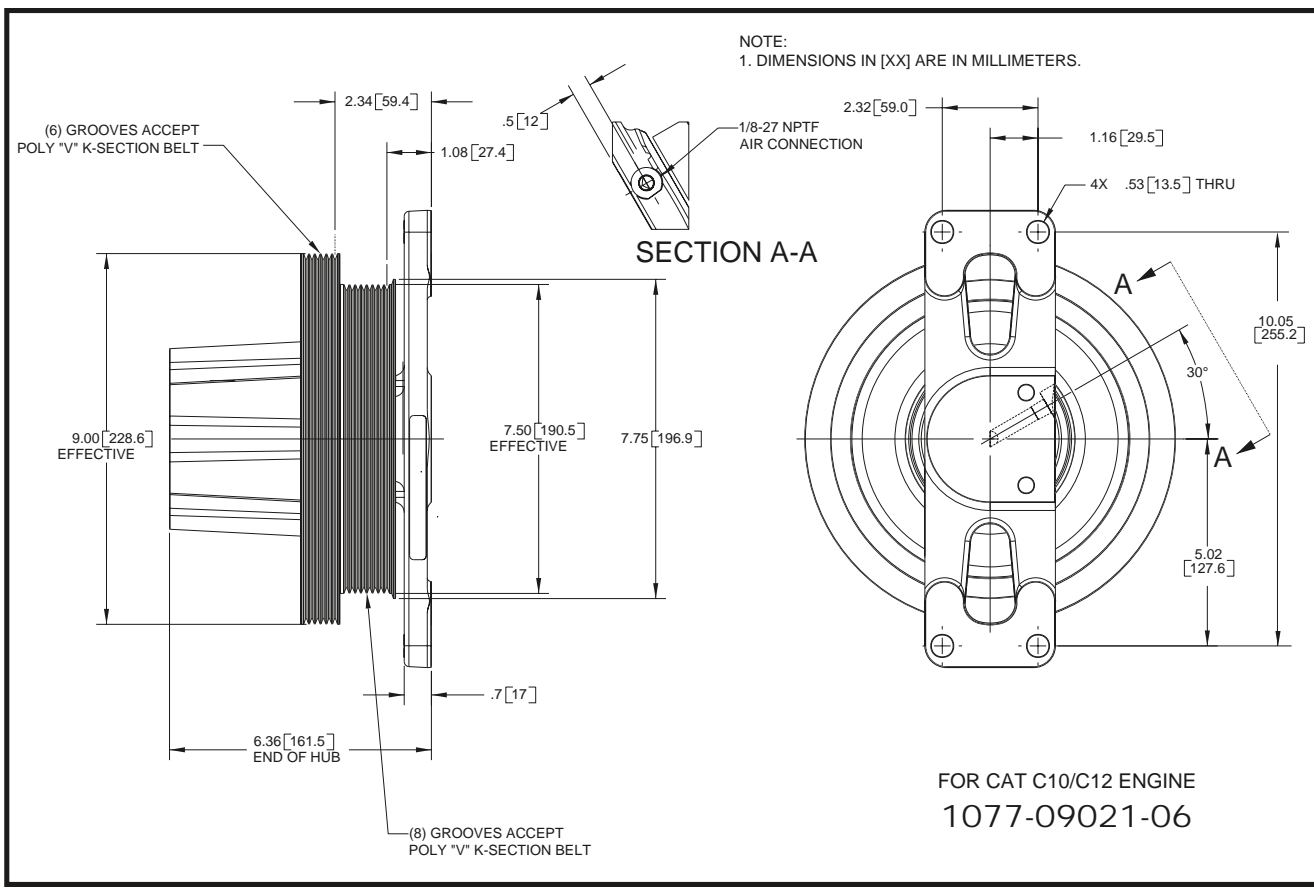
FOR CAT C10/C12 ENGINES

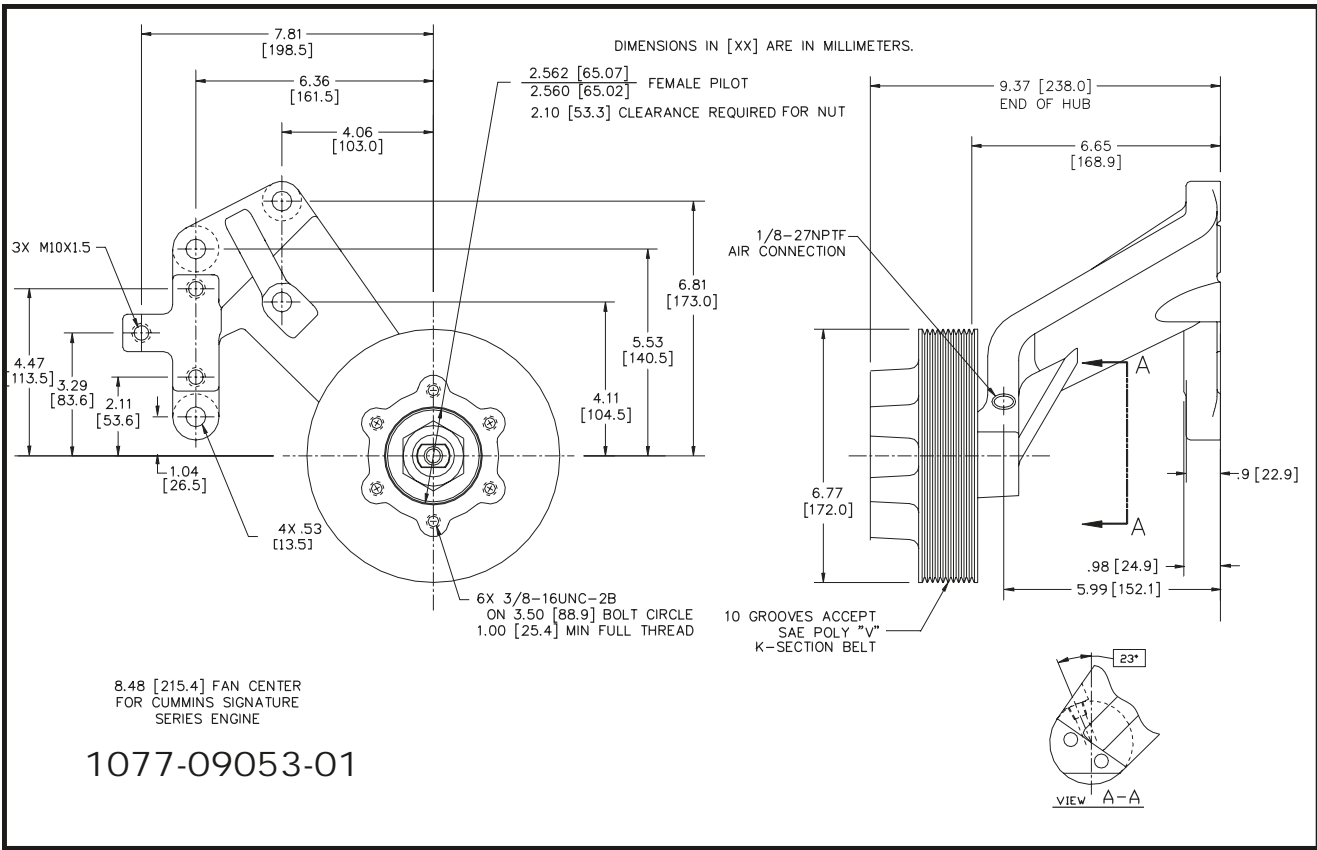
1077-09021-04



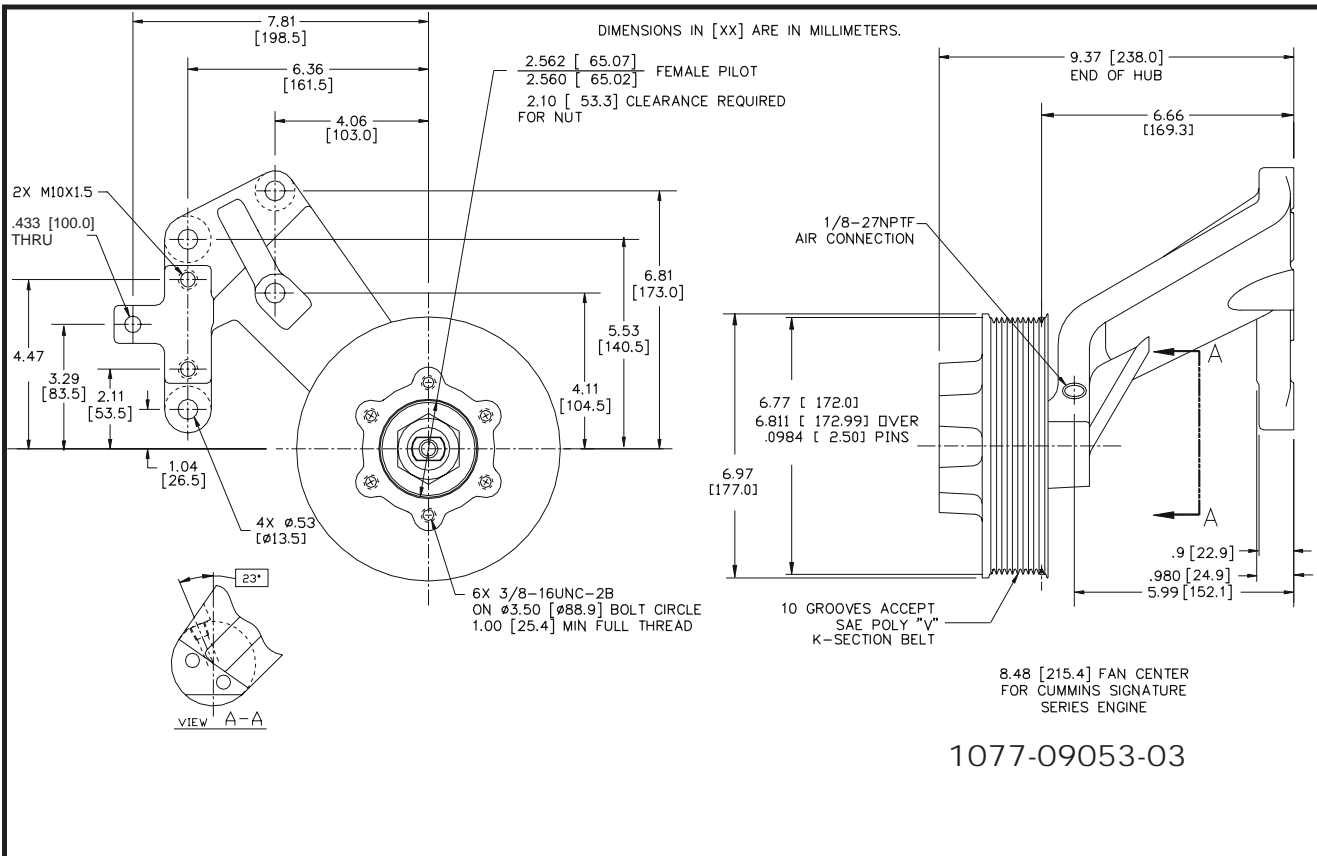
1077-09021-05

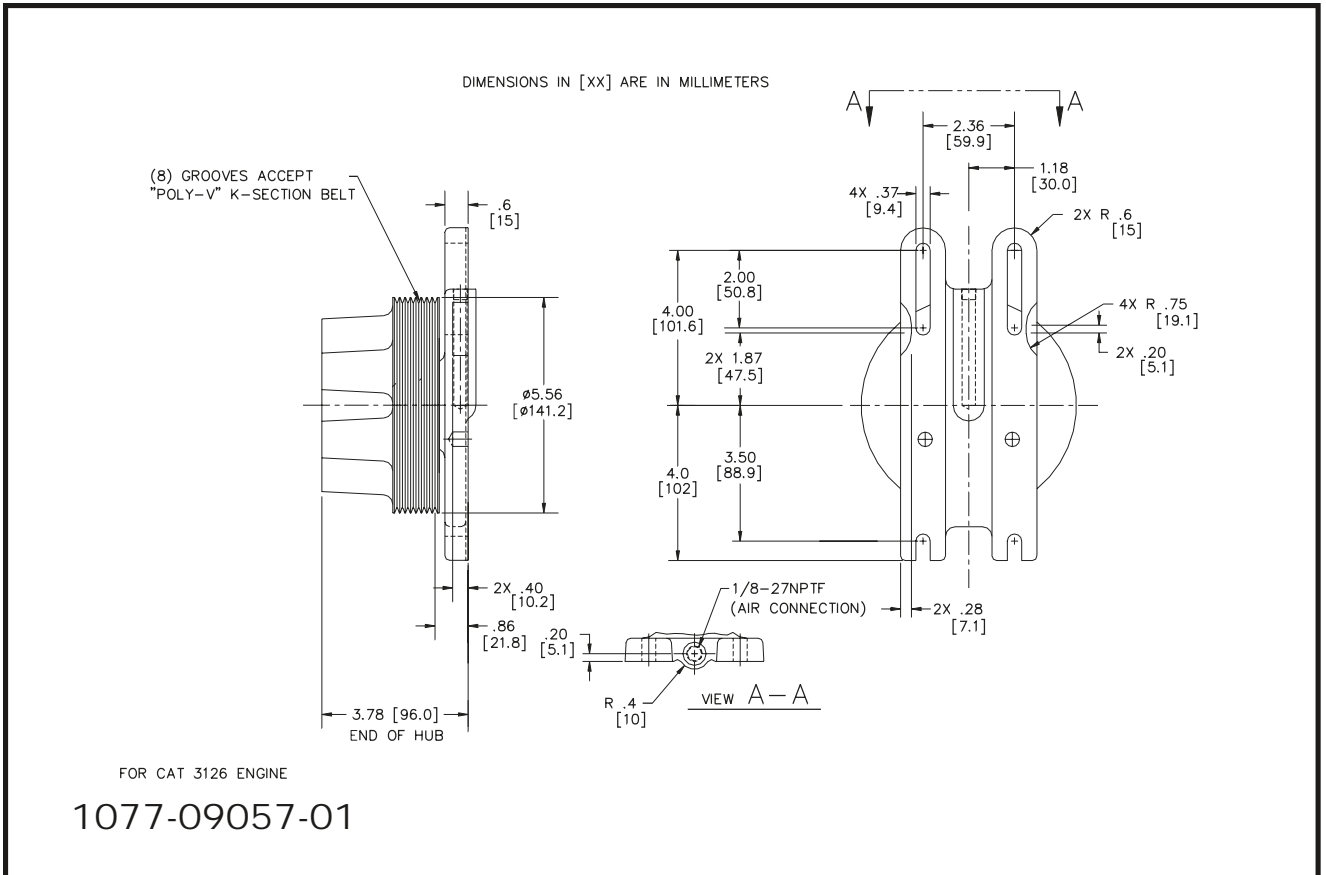
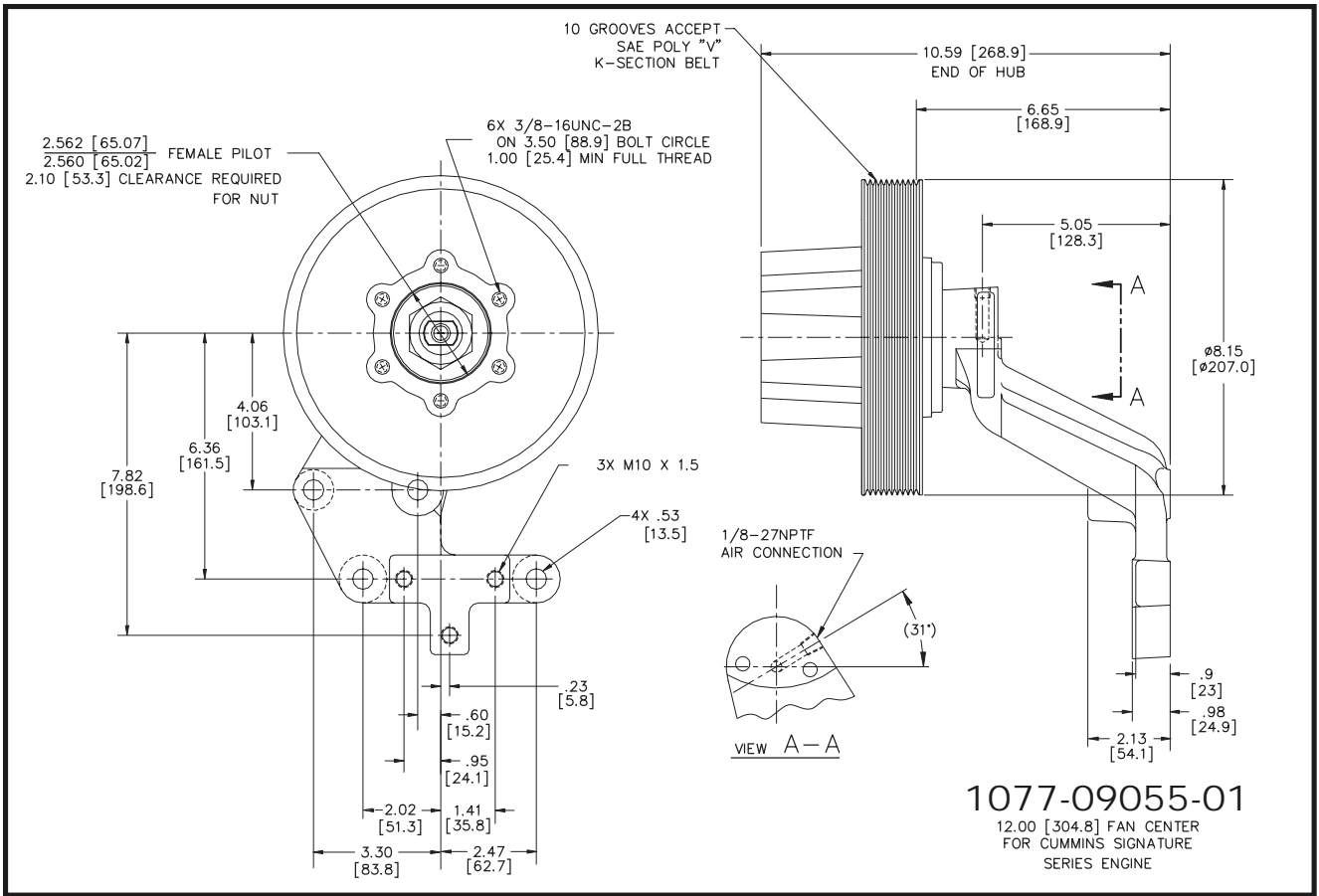
FOR CAT C10/C12 ENGINES

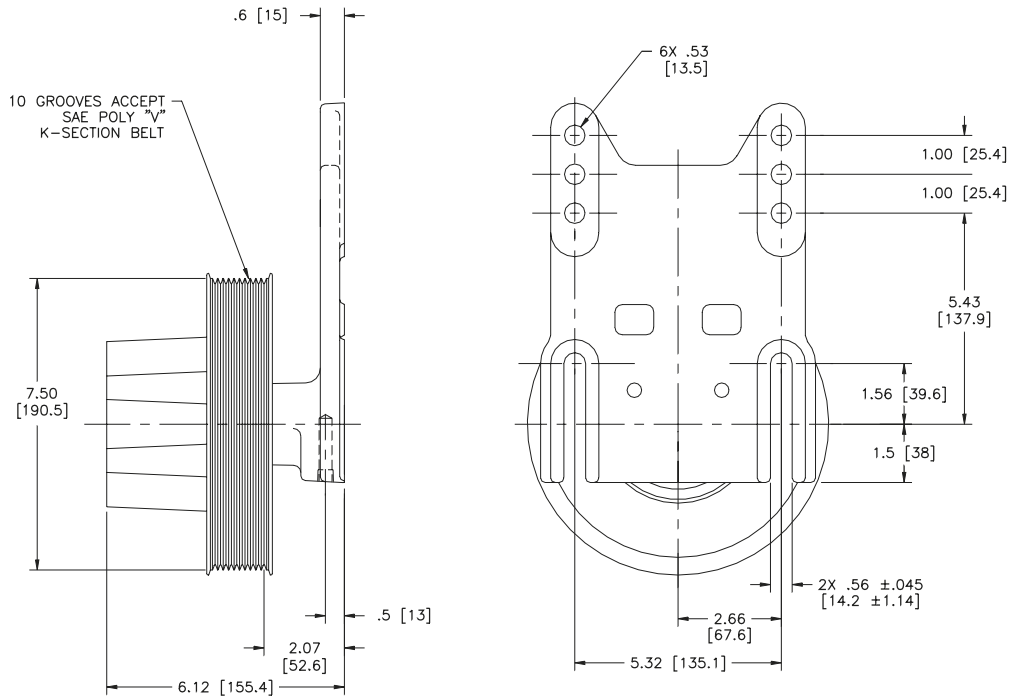




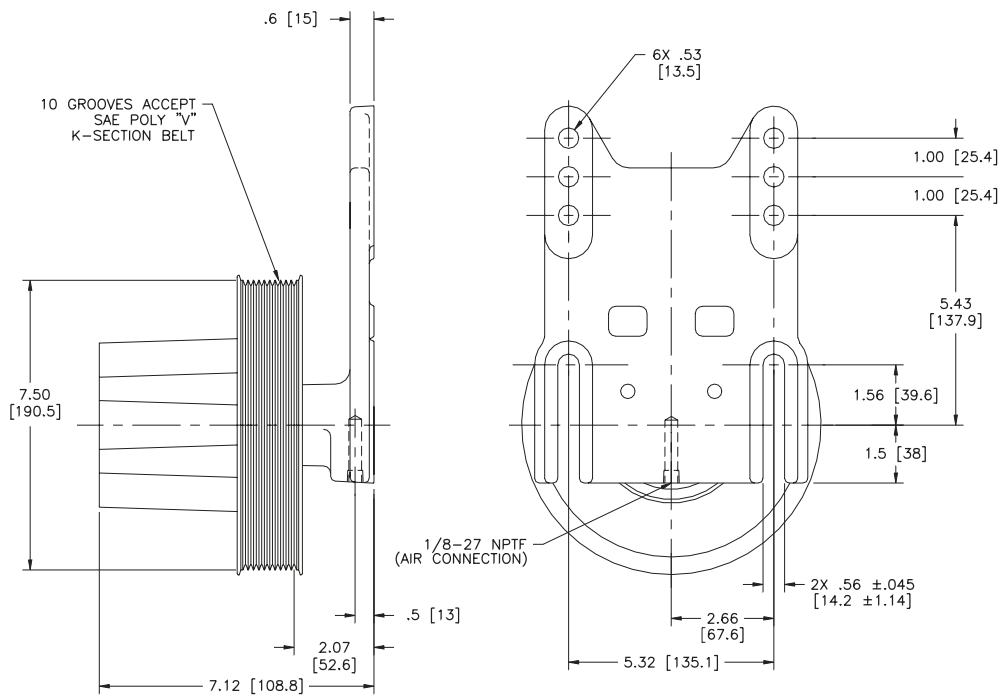
1077-09053-02 outline not available



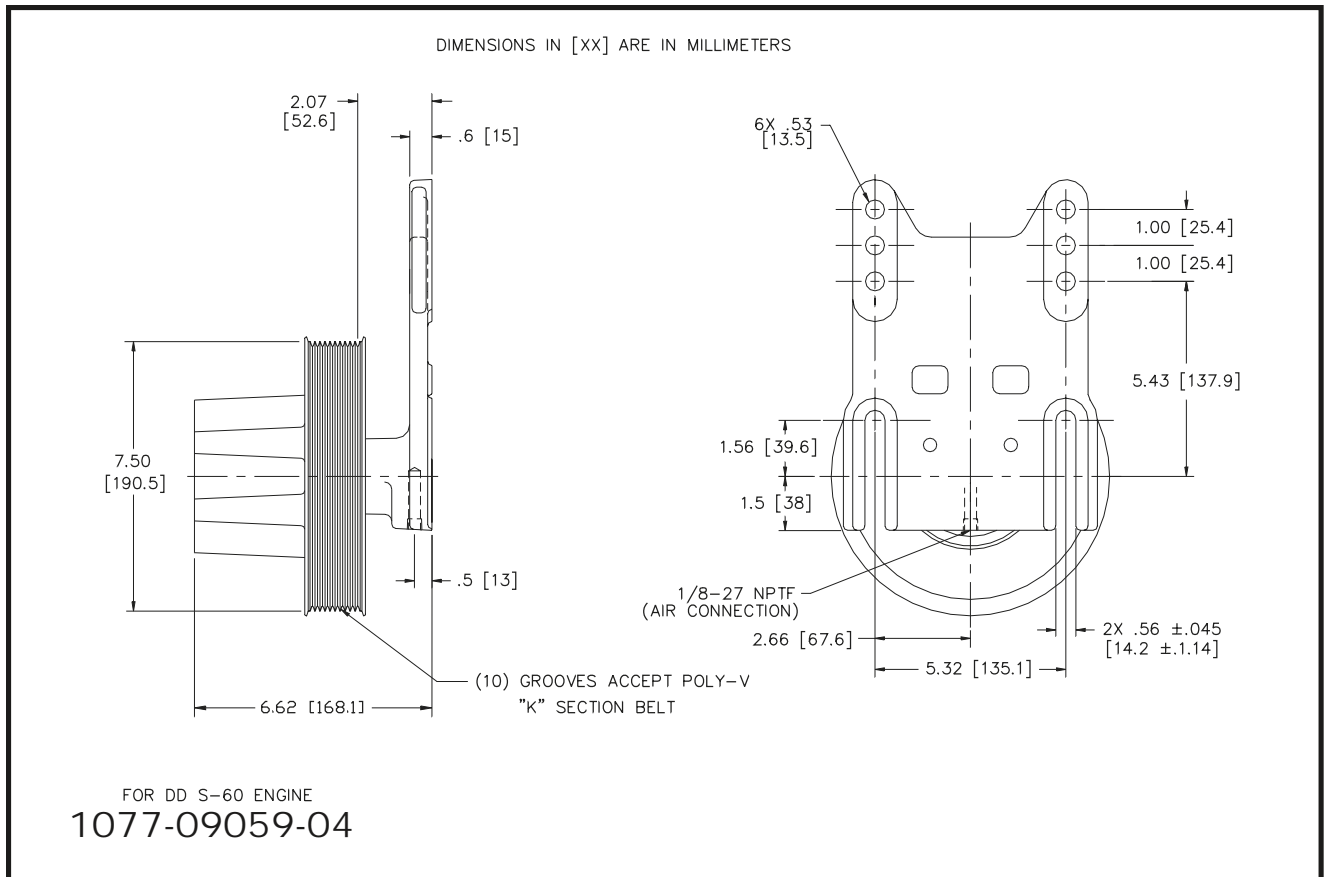
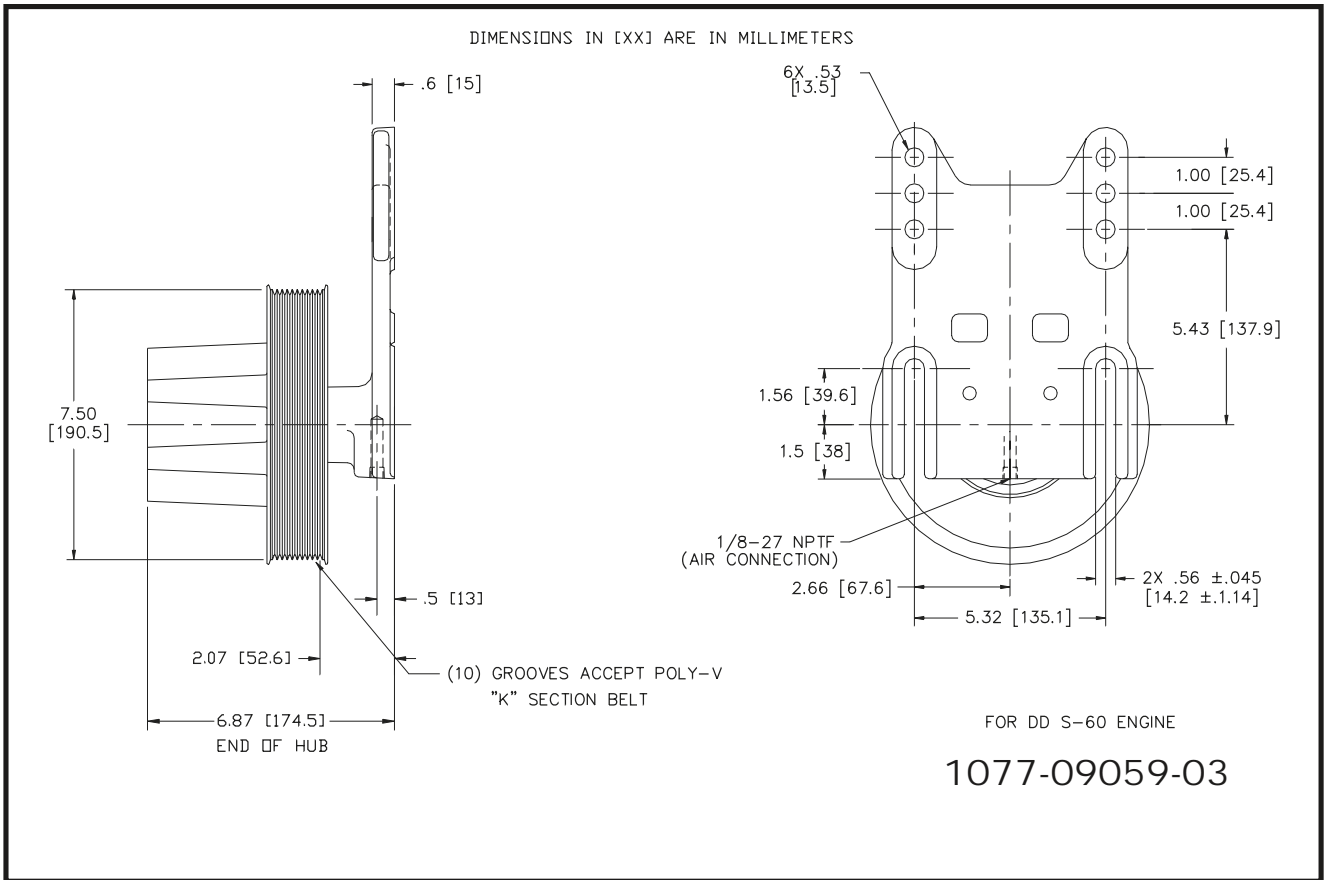




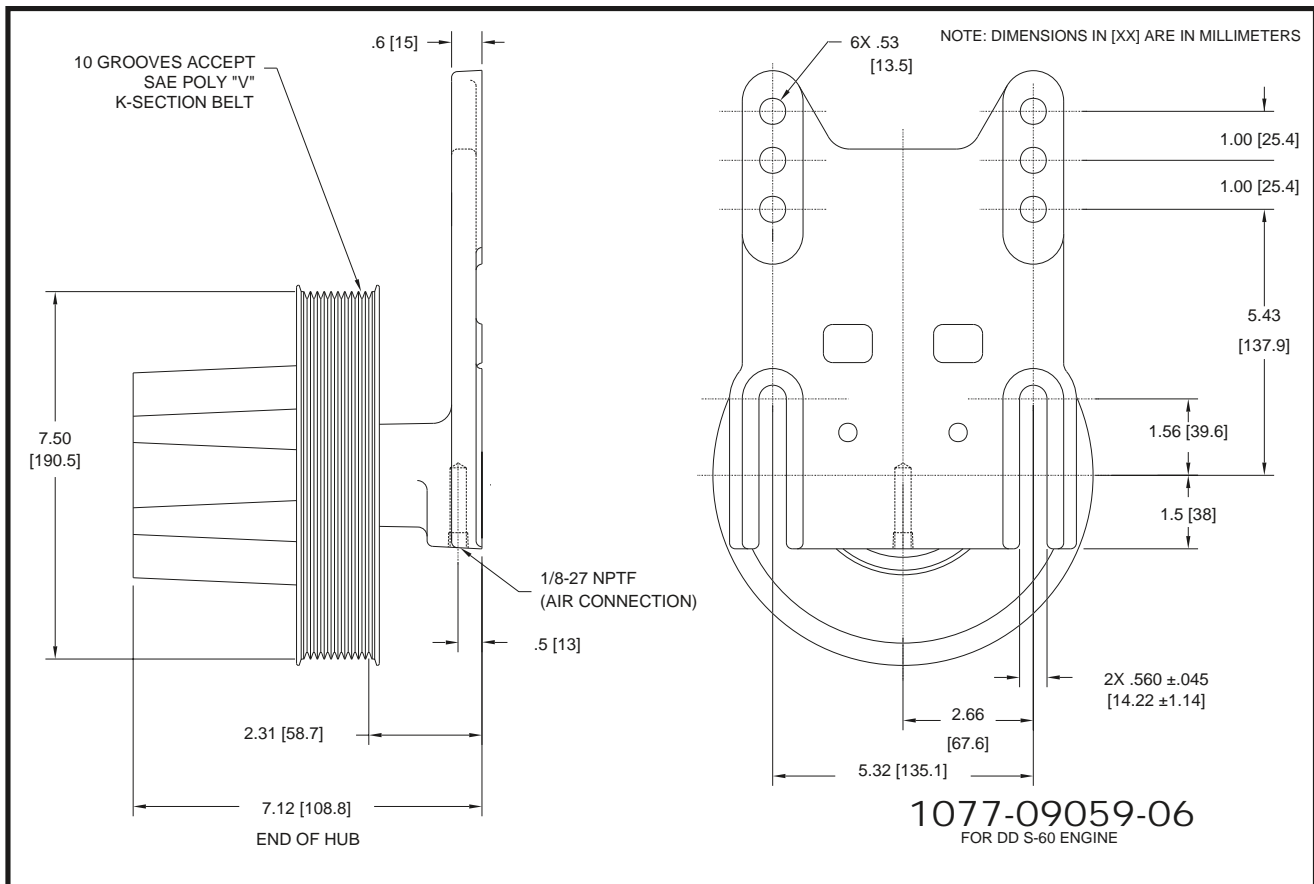
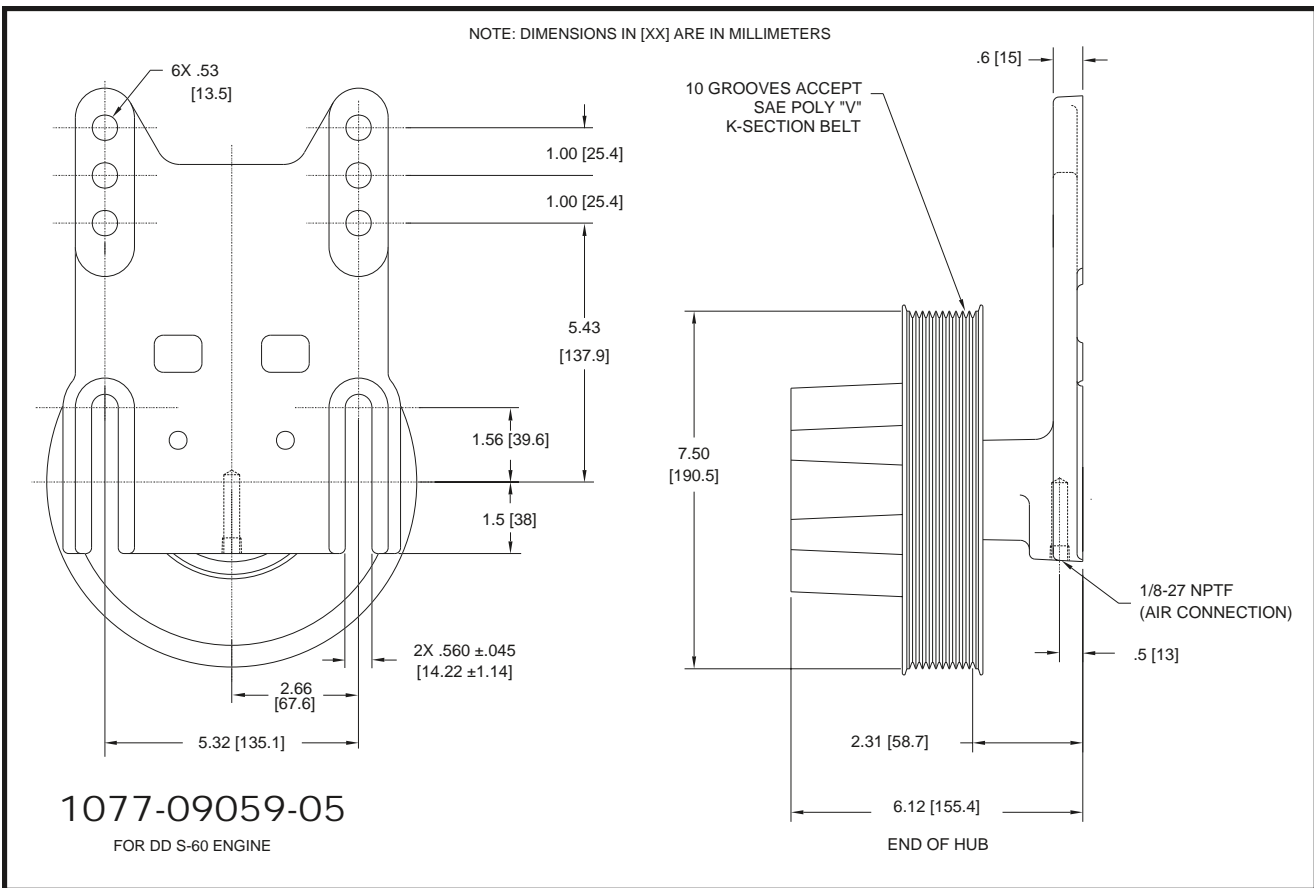
1077-09059-01

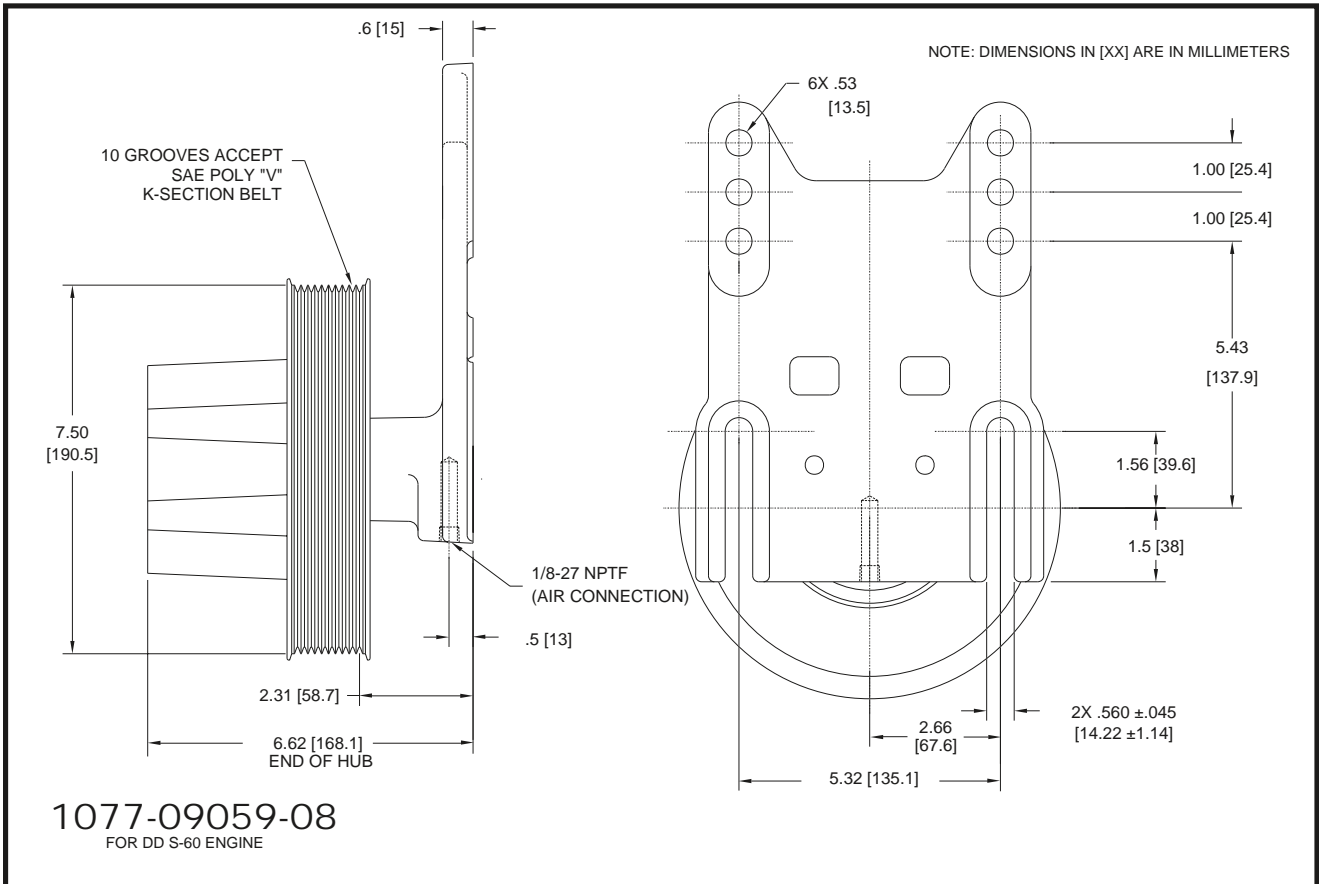
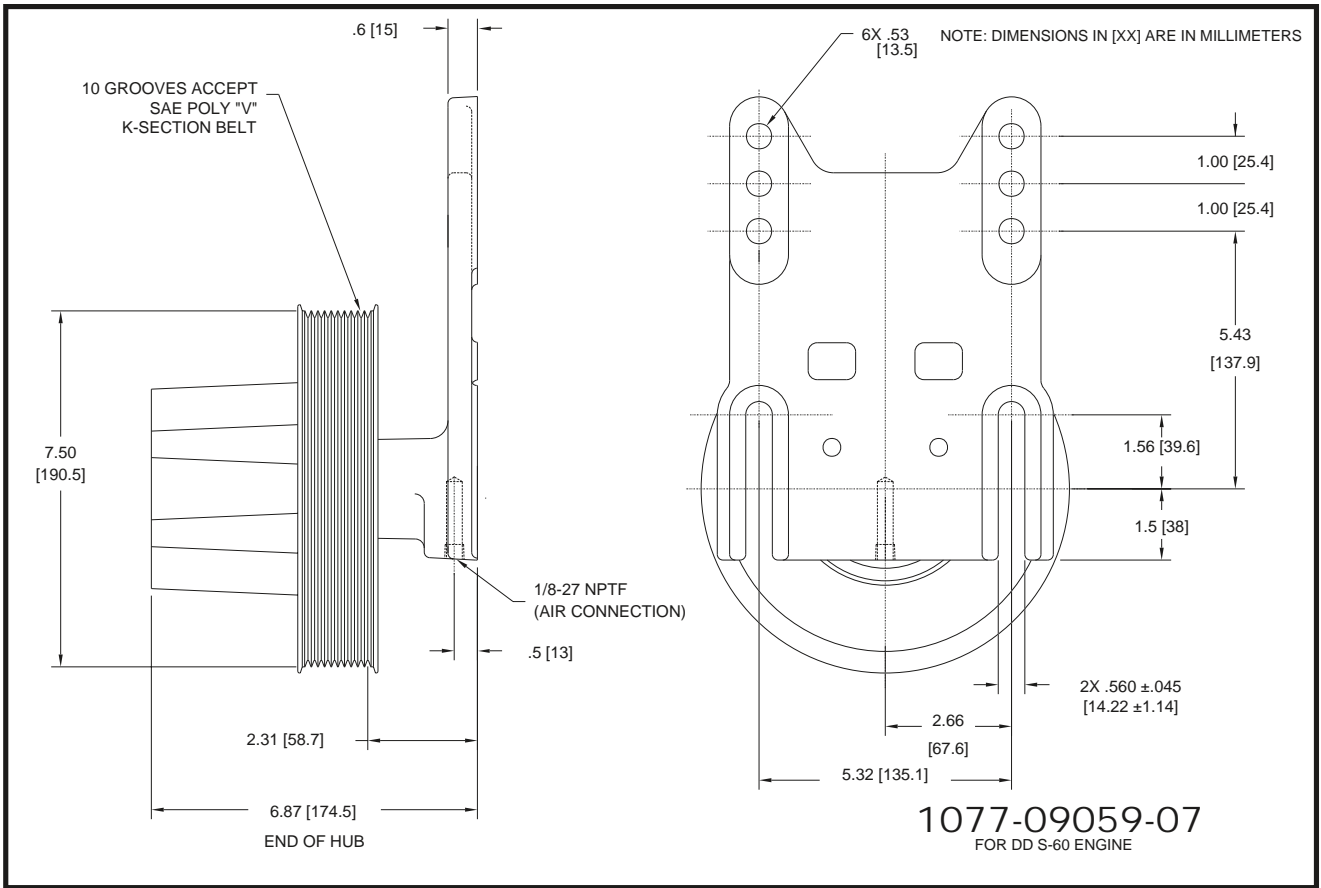


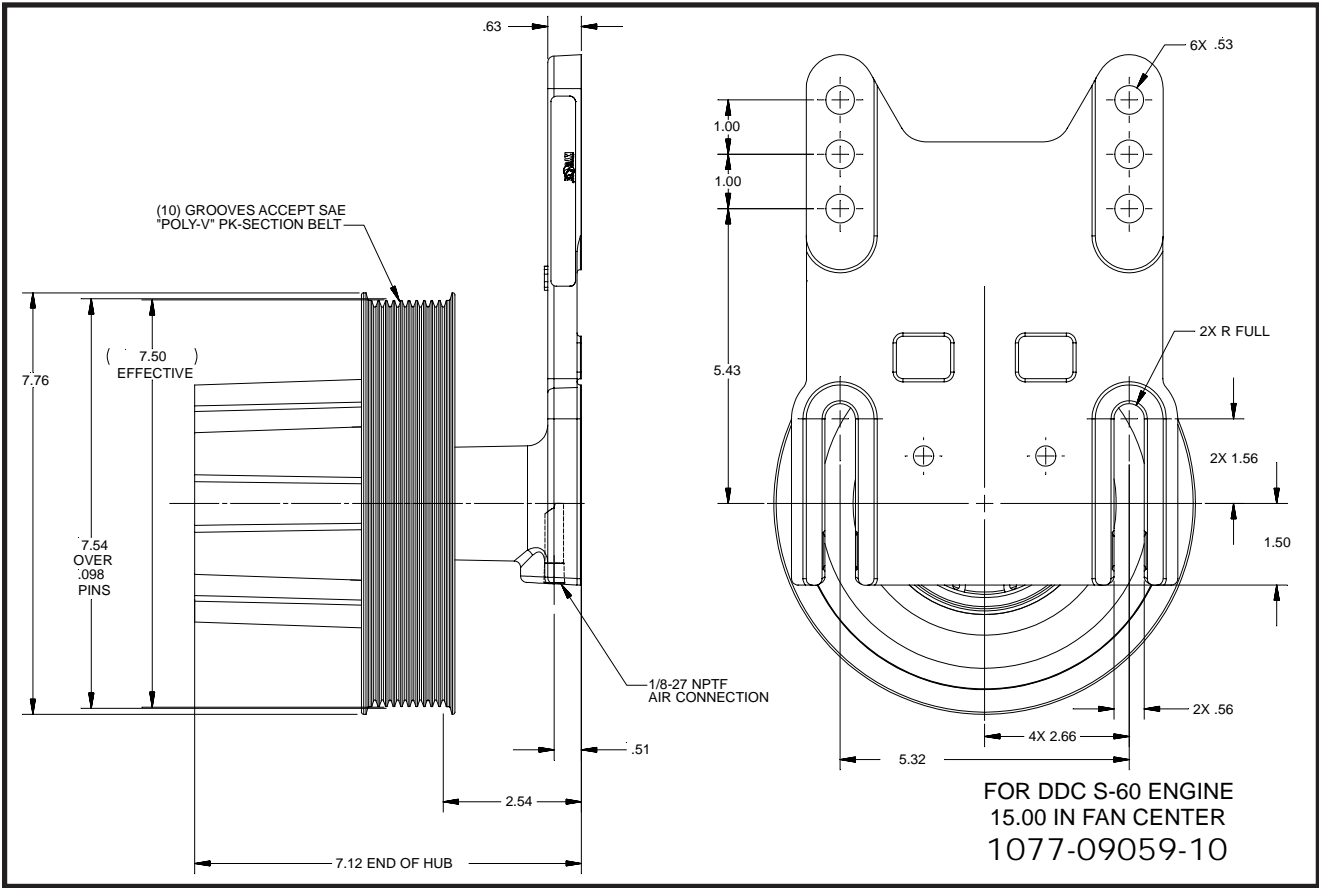
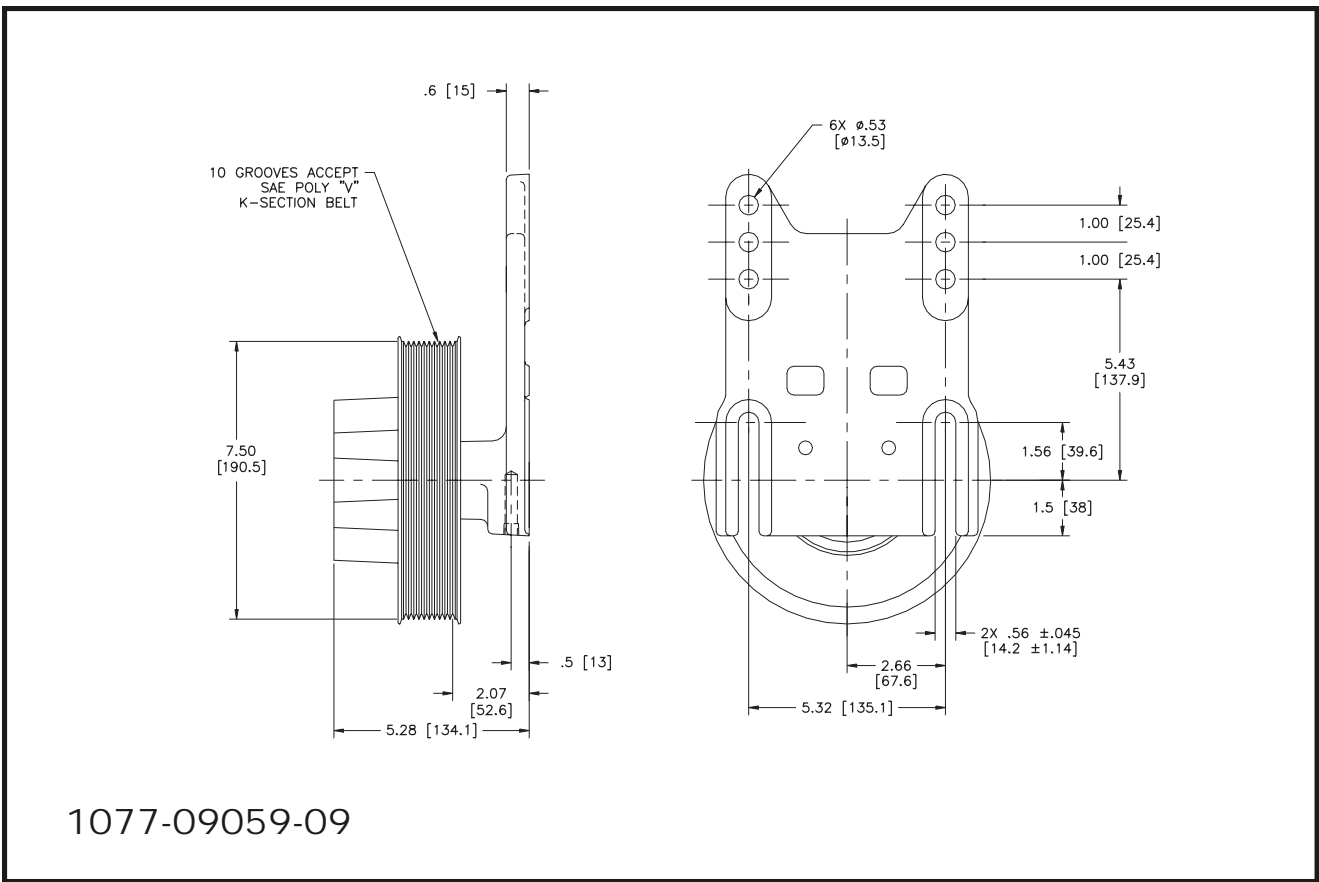
1077-09059-02

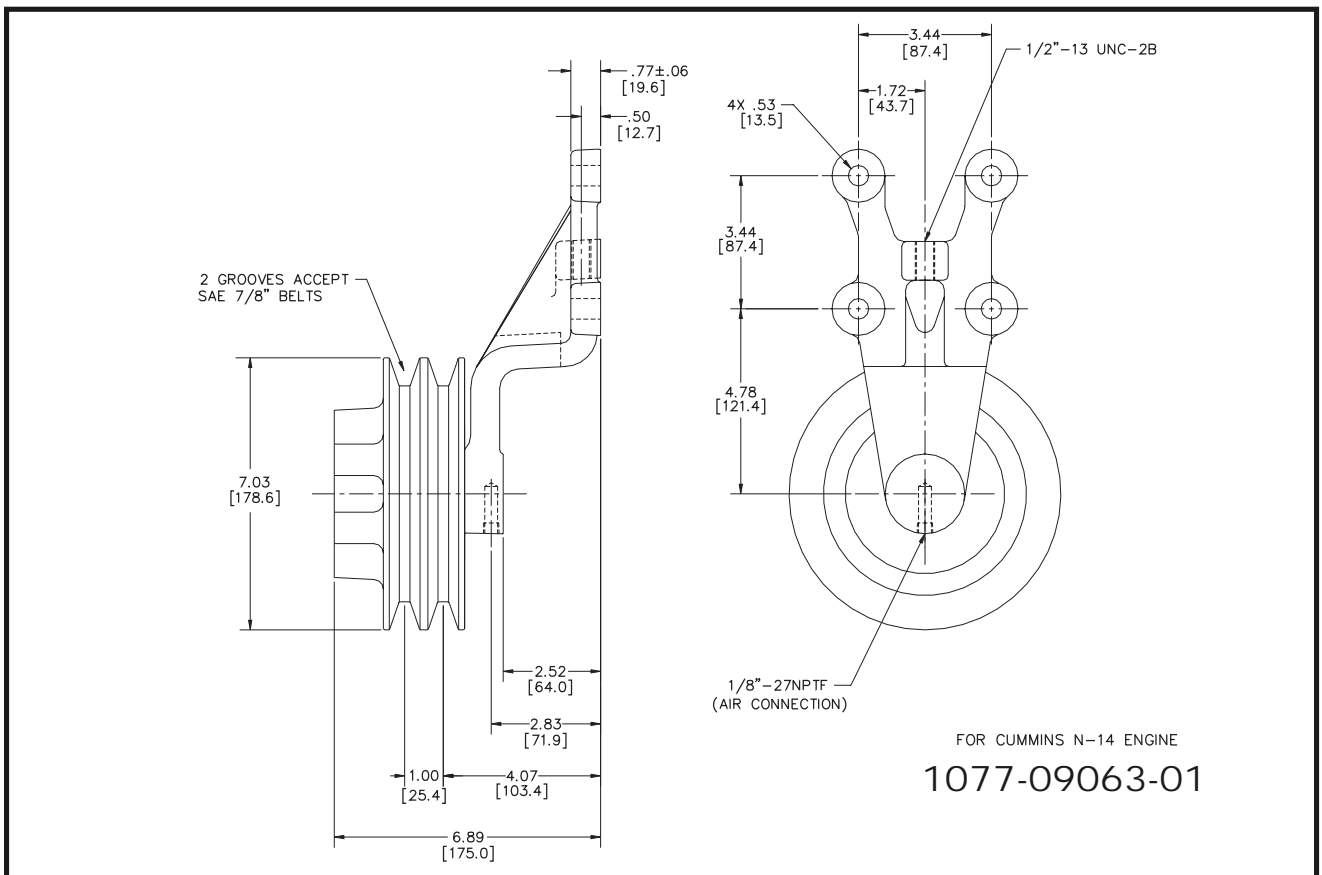
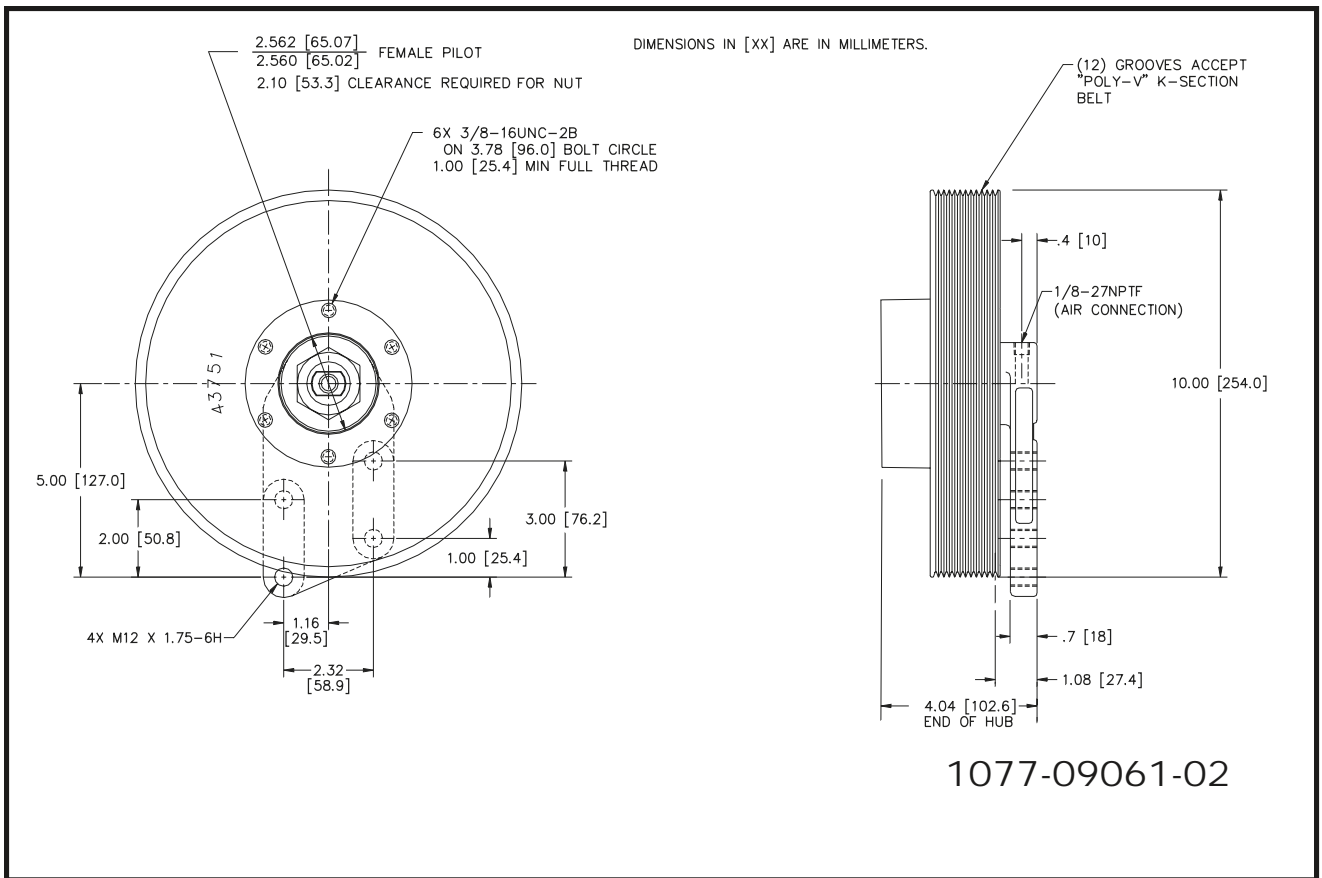


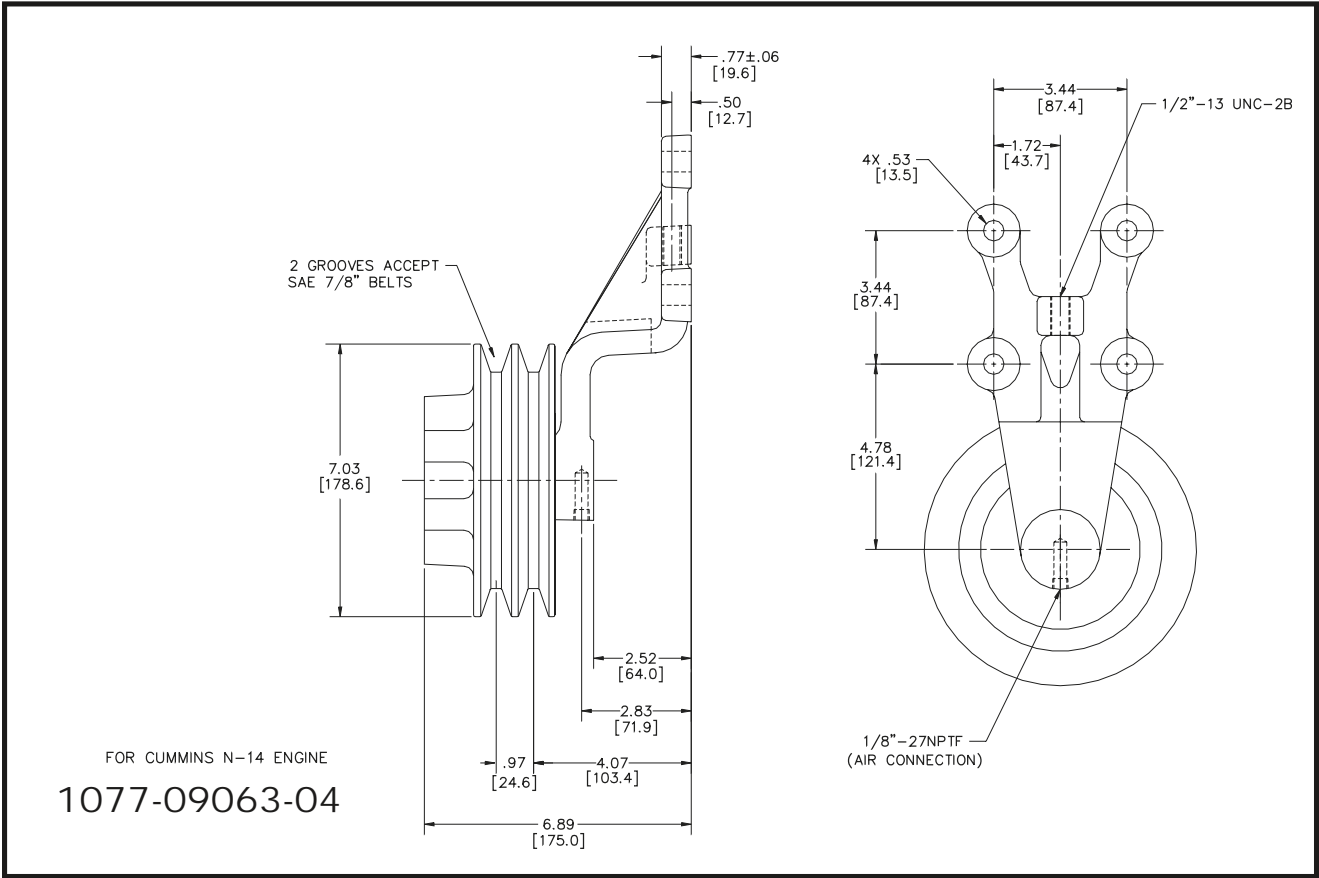
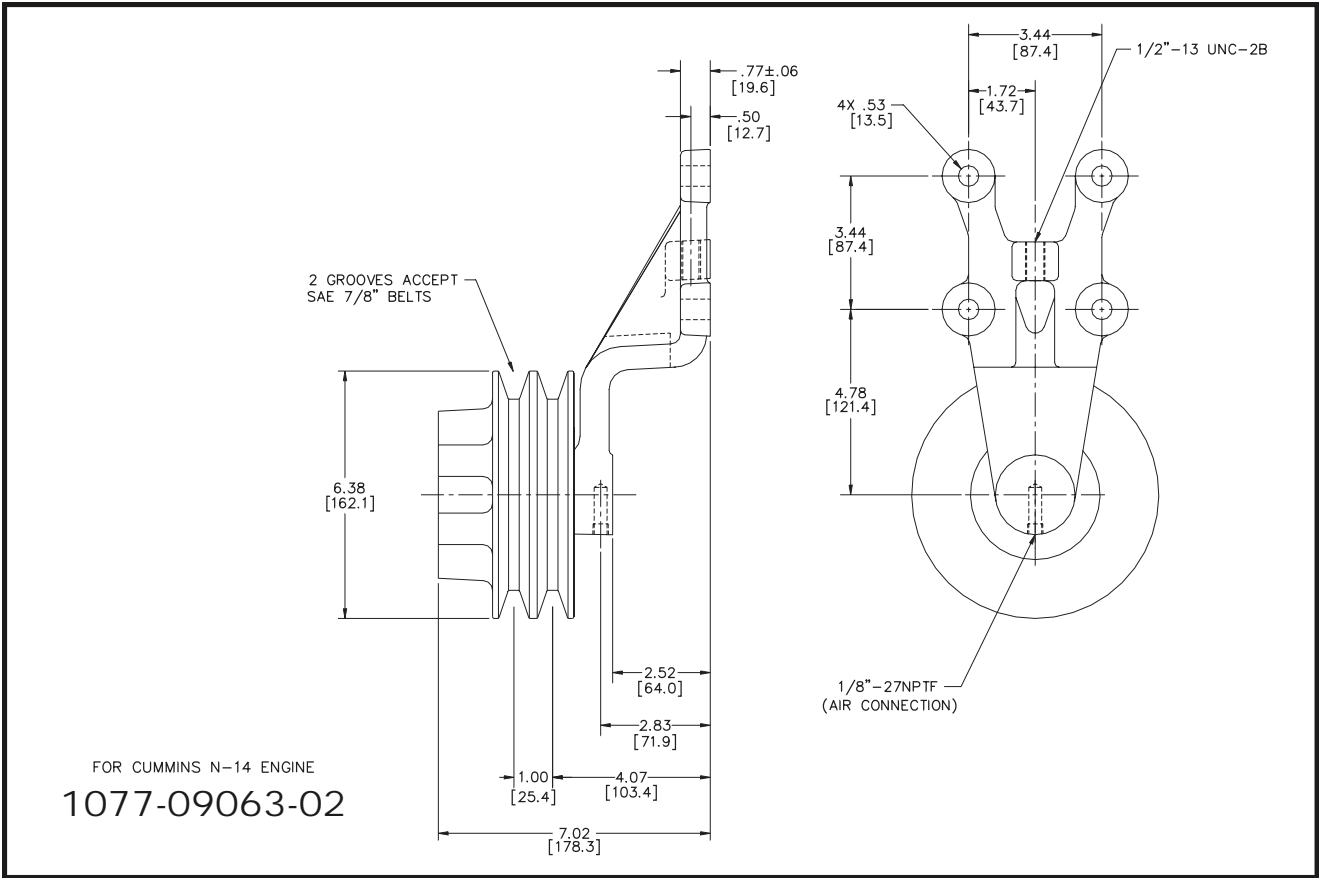






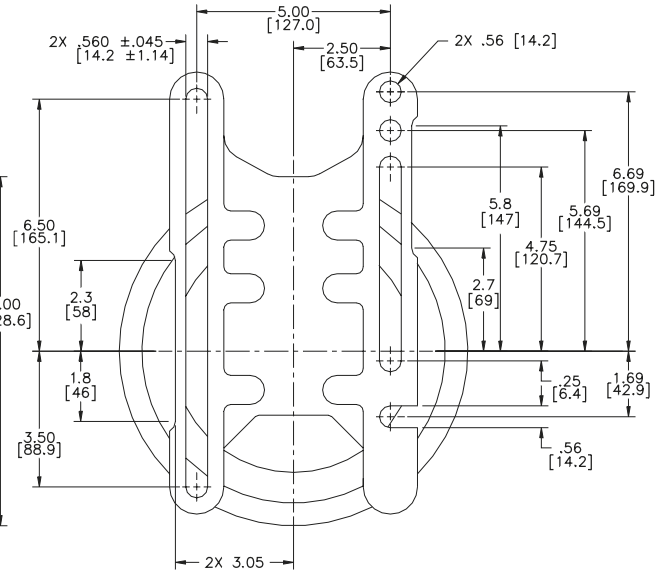
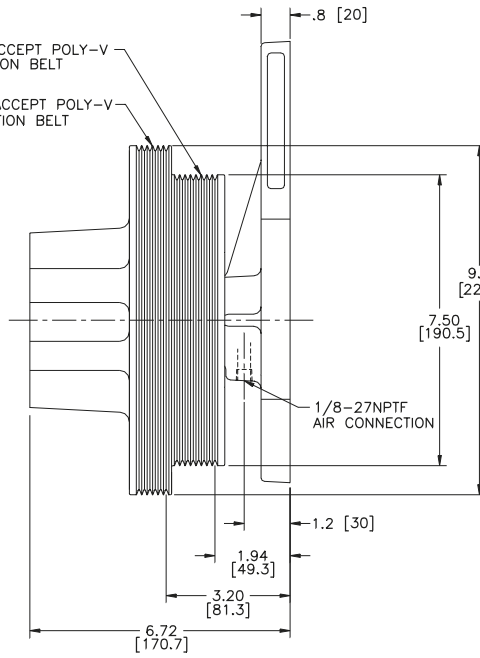






DIMENSIONS IN [XX] ARE IN MILLIMETERS.

- (8) GROOVES ACCEPT POLY-V "K" SECTION BELT
- (6) GROOVES ACCEPT POLY-V "K" SECTION BELT

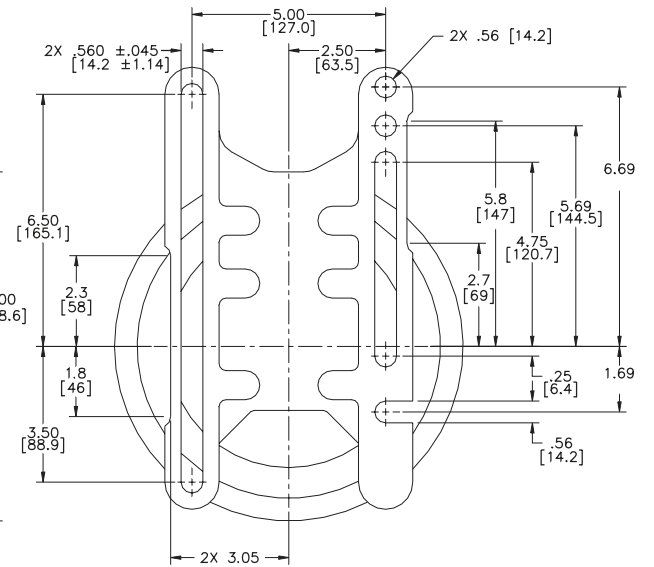
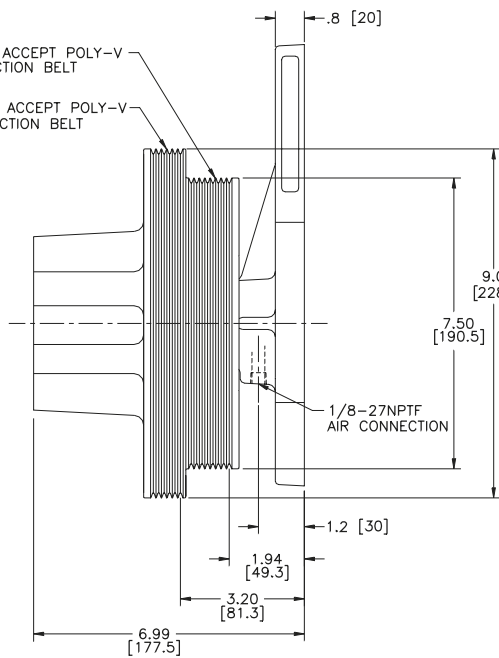


FOR CAT 3406 ENGINE

1077-09067-01

DIMENSIONS IN [XX] ARE IN MILLIMETERS.

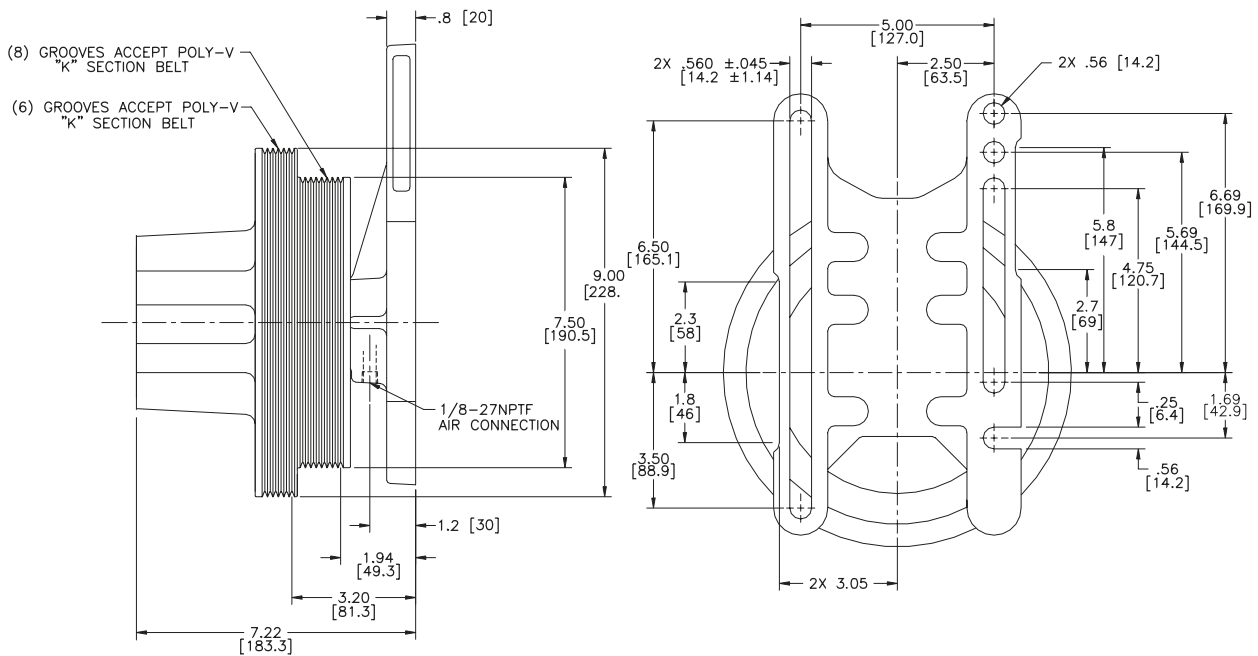
- (8) GROOVES ACCEPT POLY-V "K" SECTION BELT
- (6) GROOVES ACCEPT POLY-V "K" SECTION BELT



FOR CAT 3406 ENGINE

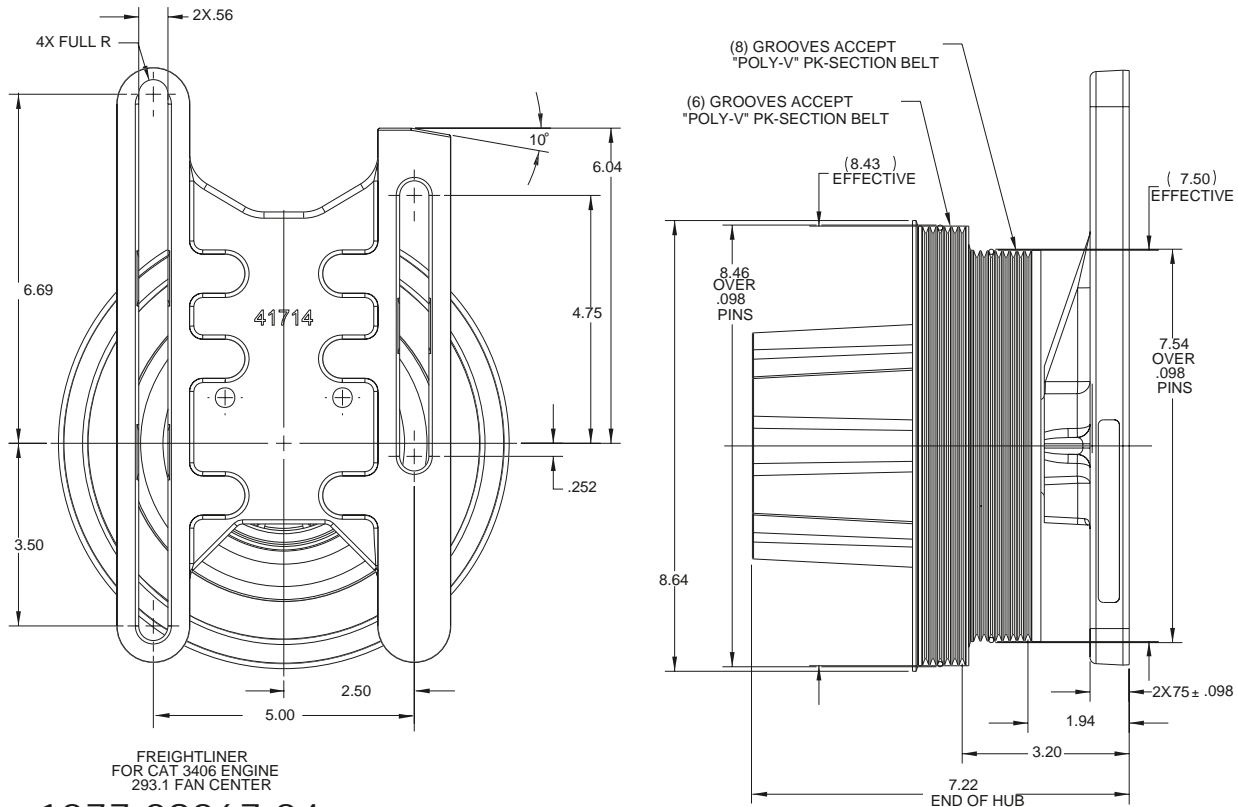
1077-09067-02

DIMENSIONS IN [XX] ARE IN MILLIMETERS.



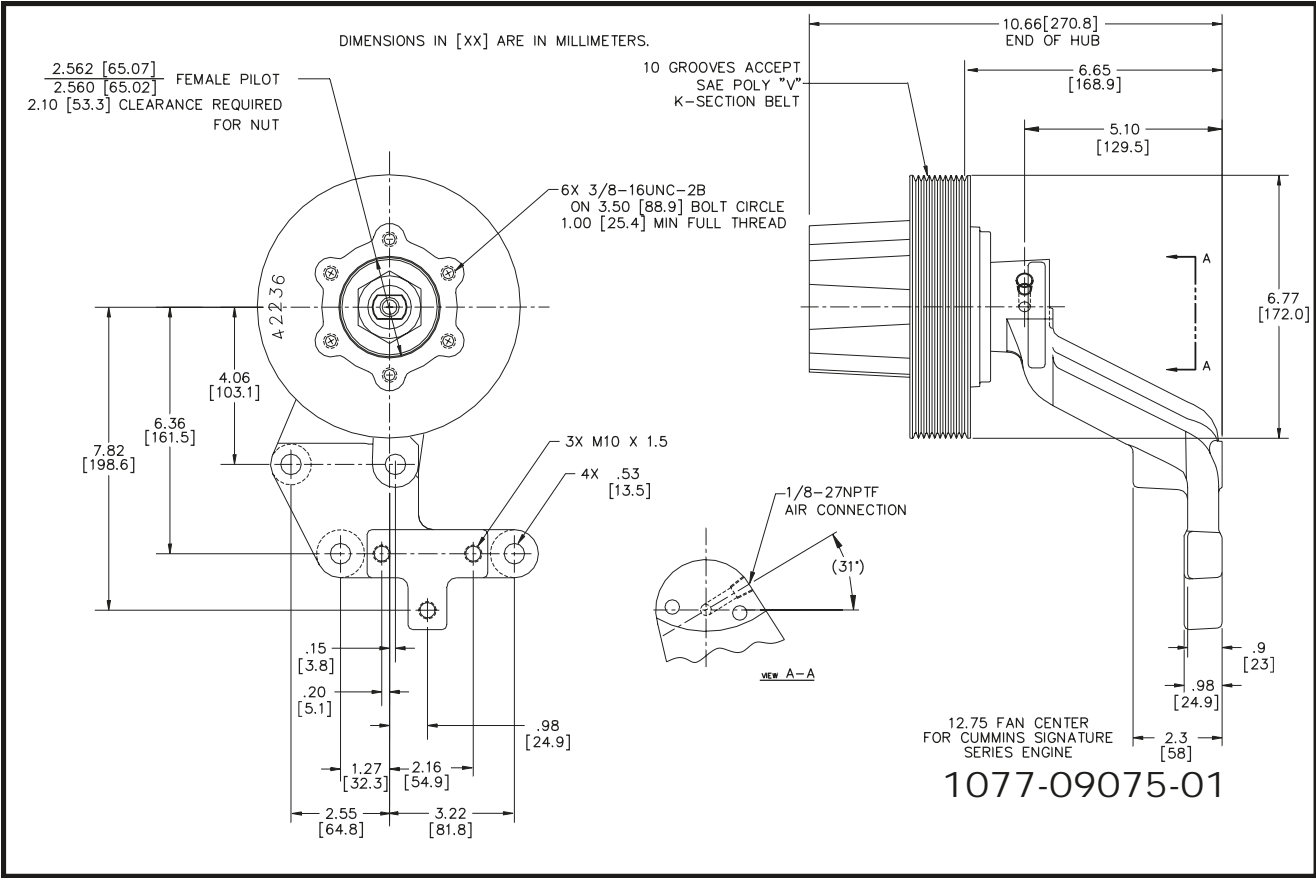
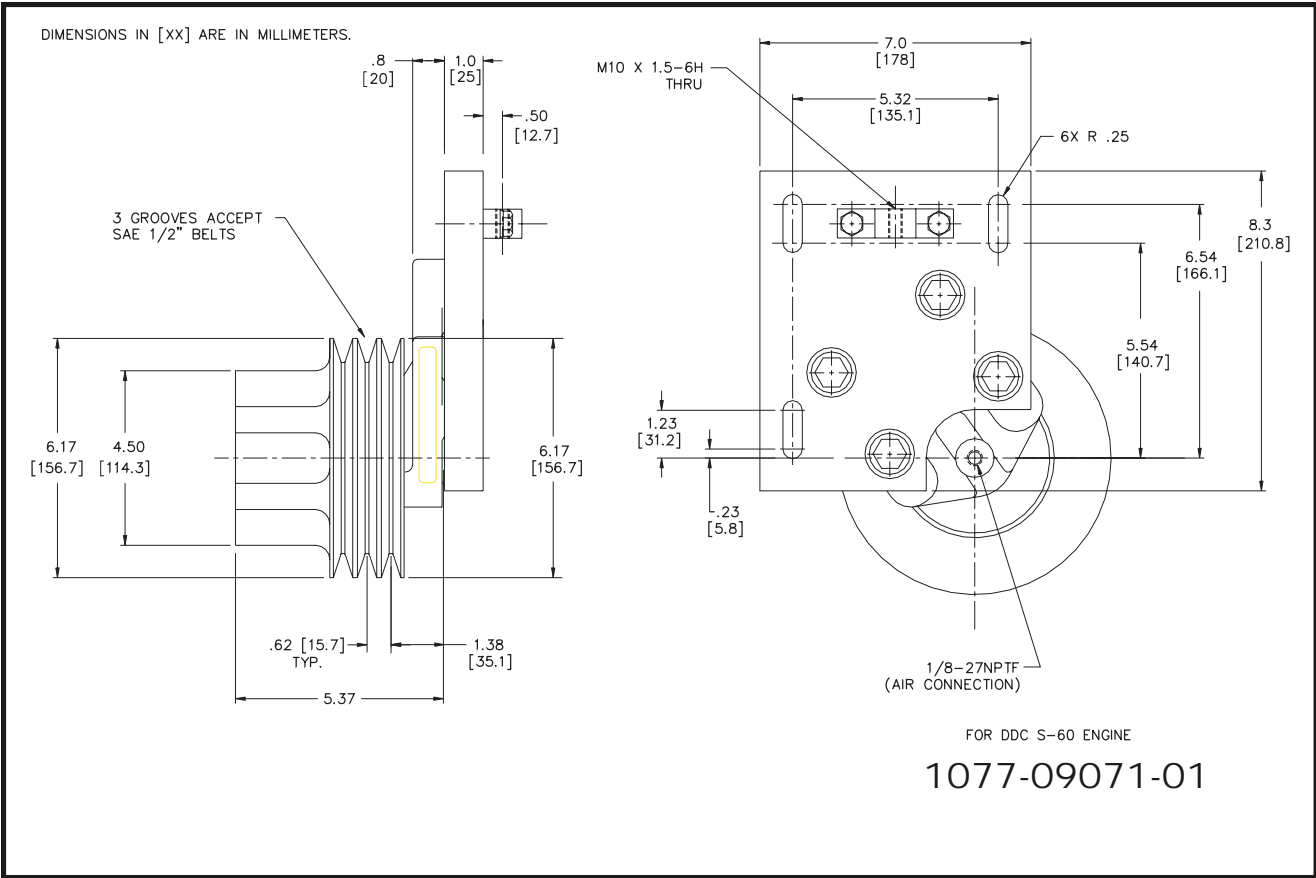
FOR CAT 3406 ENGINE

1077-09067-03

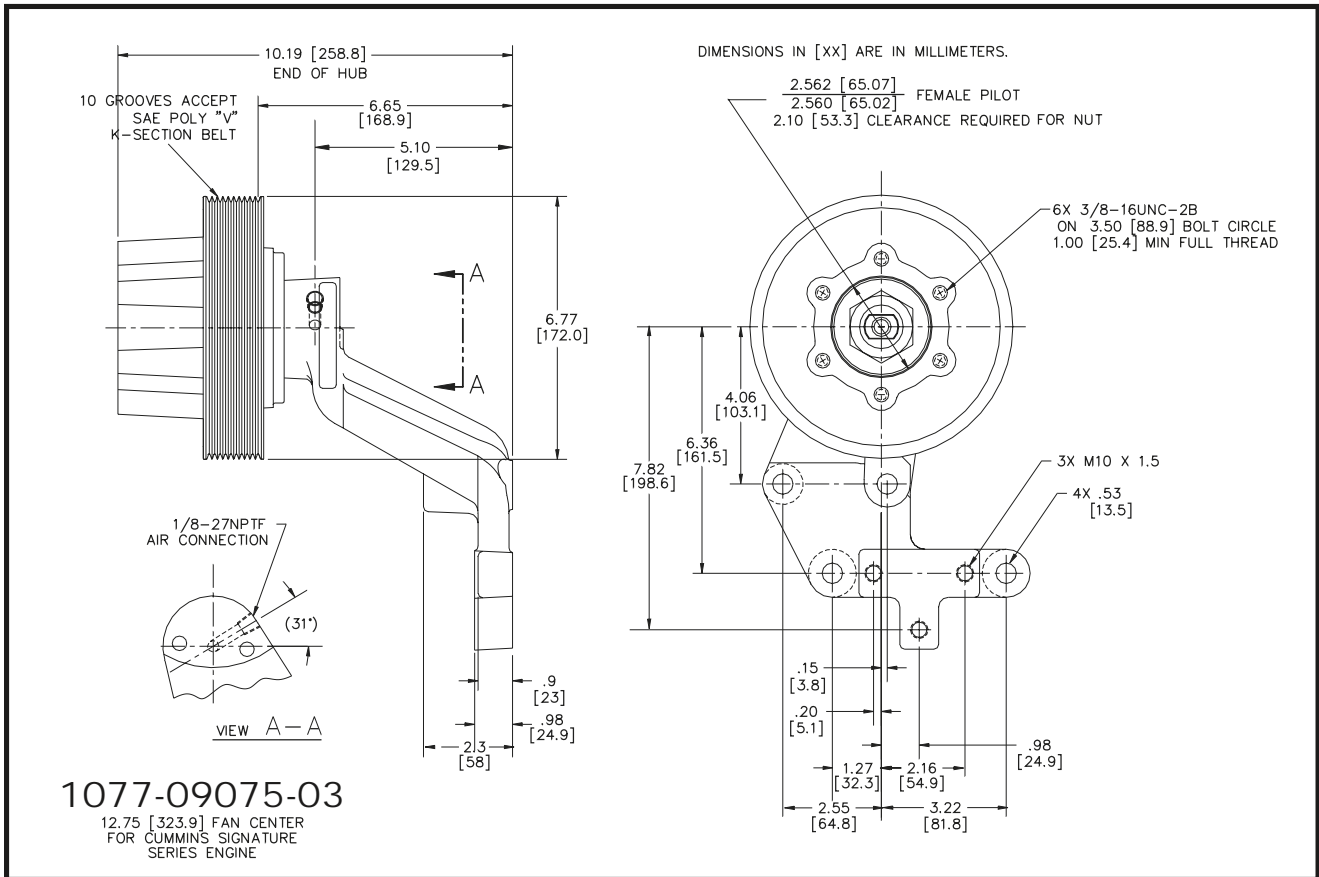
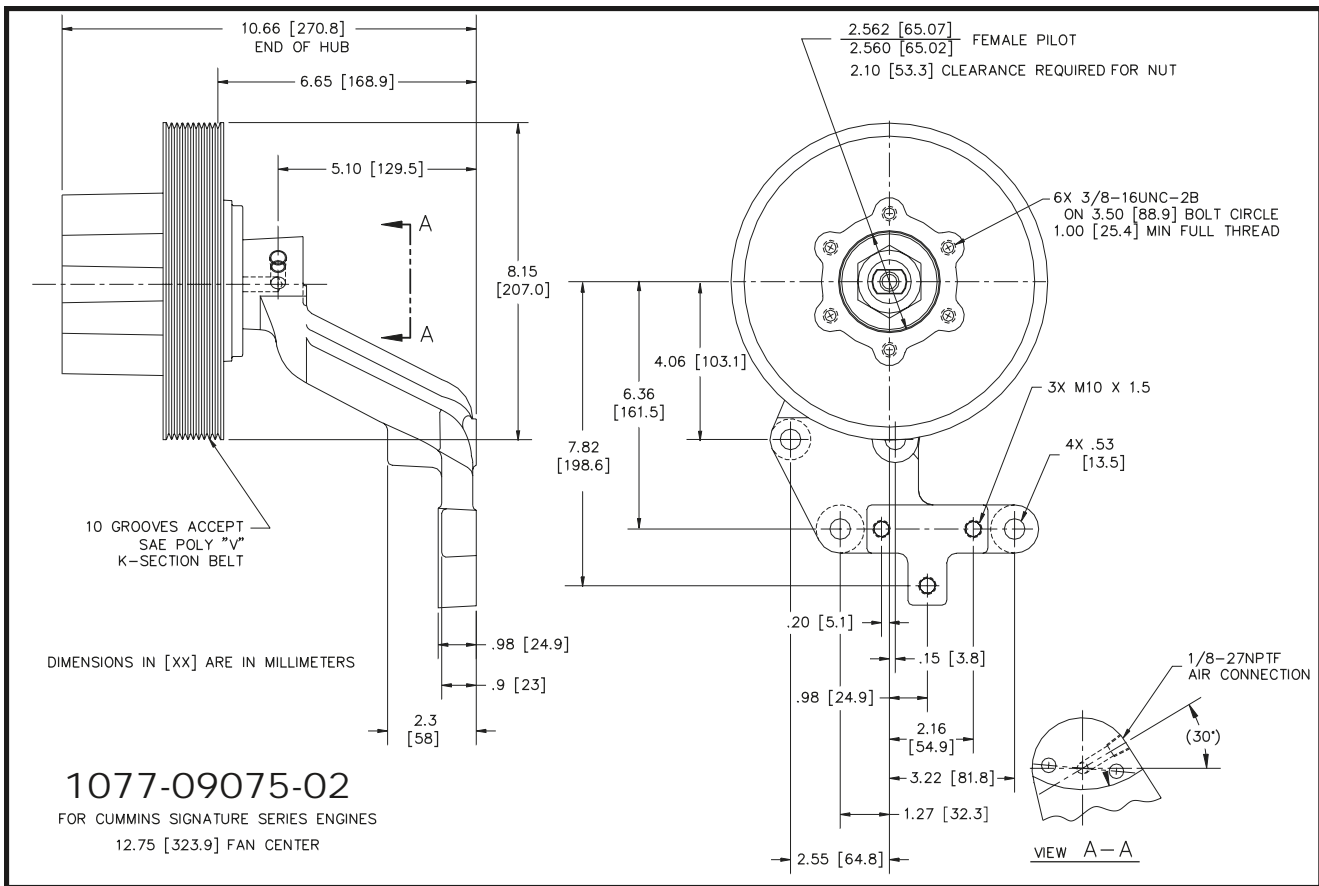


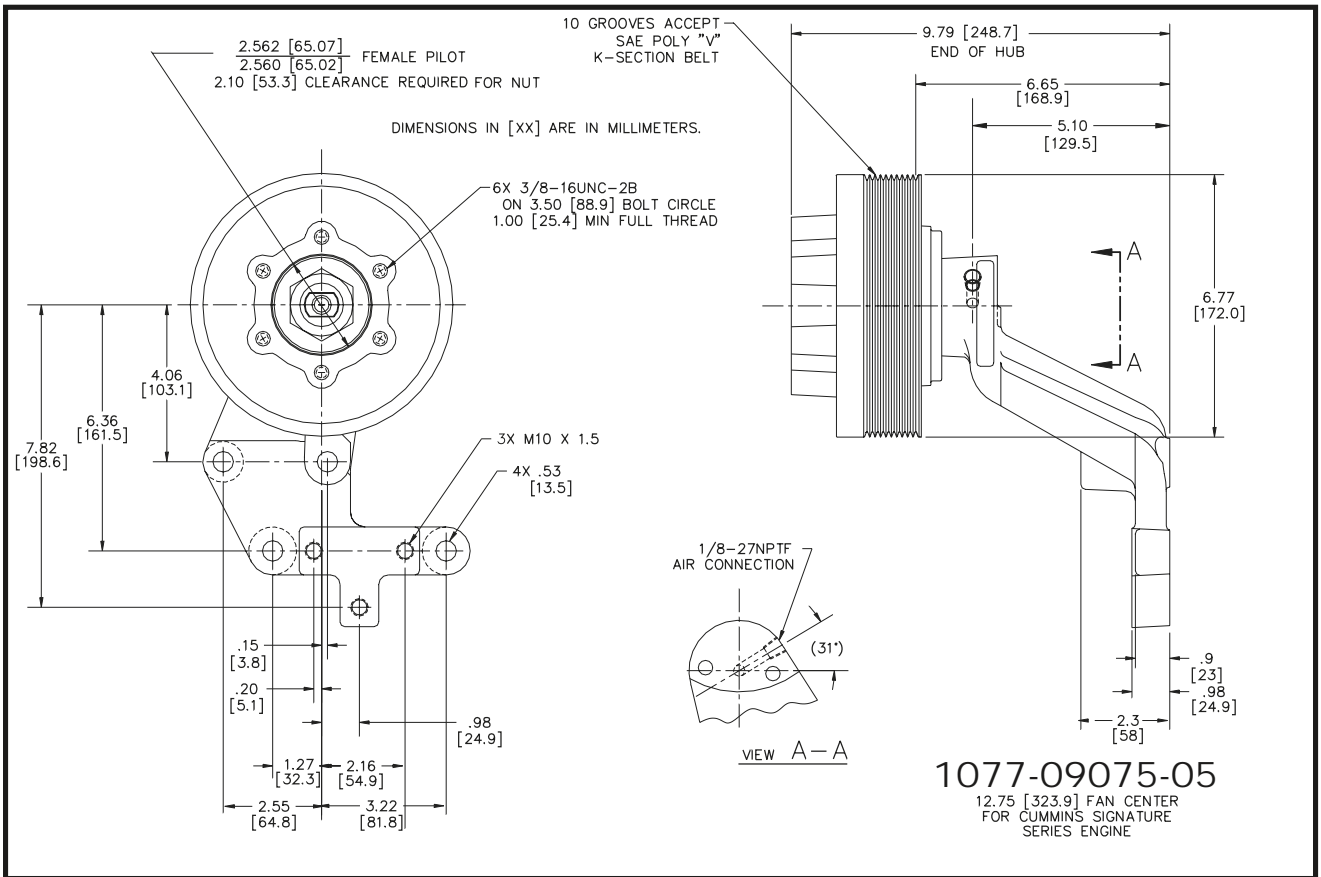
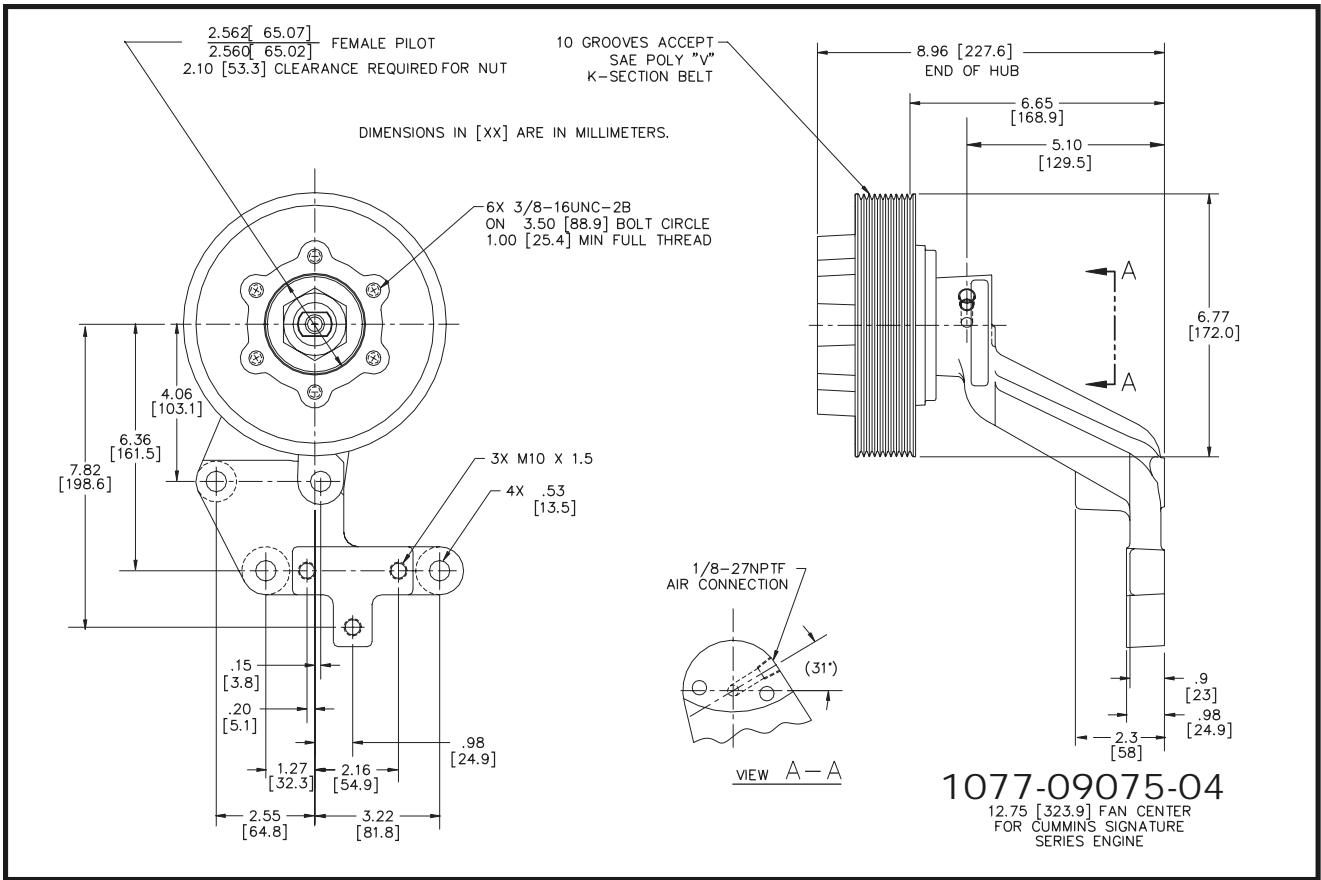
FREIGHTLINER  
 FOR CAT 3406 ENGINE  
 293.1 FAN CENTER

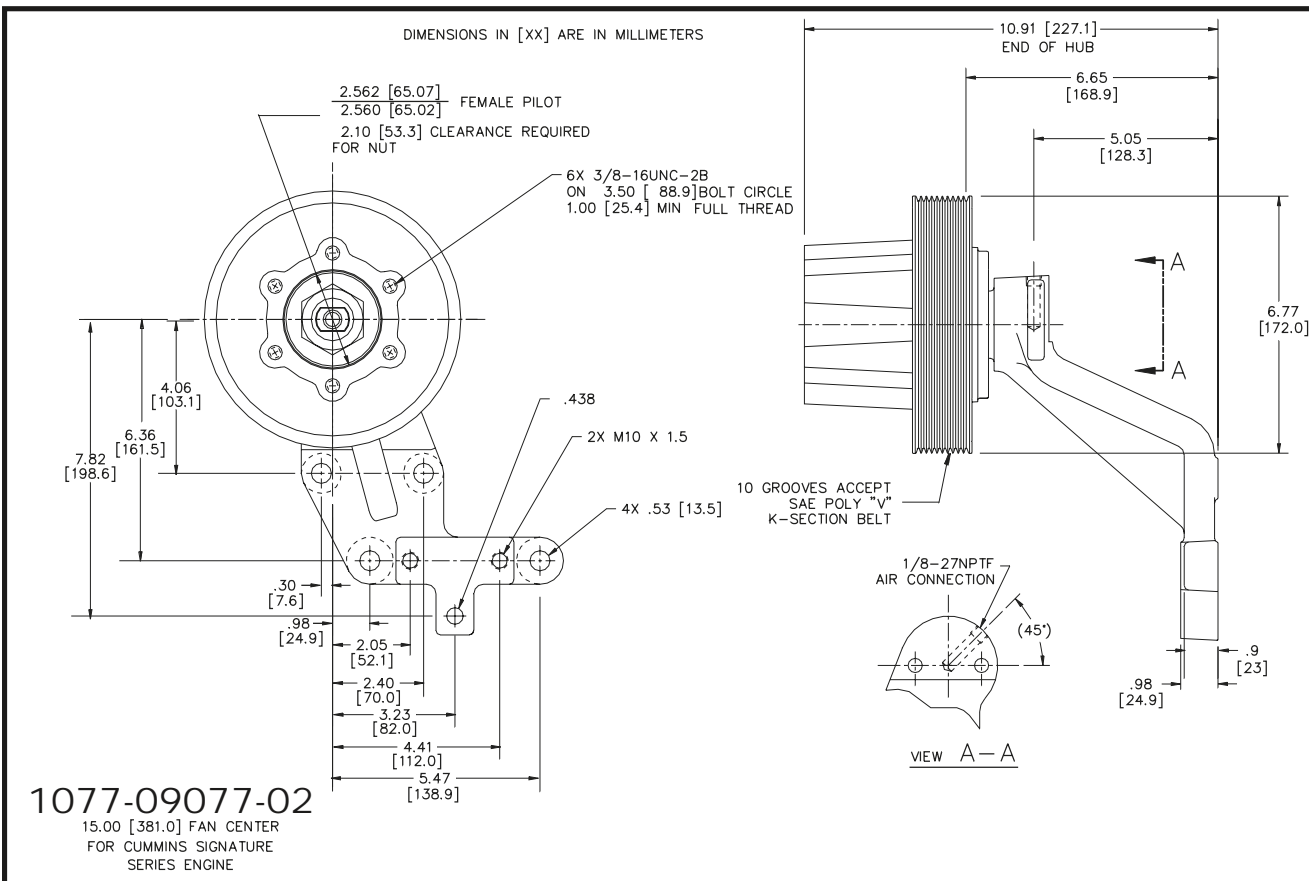
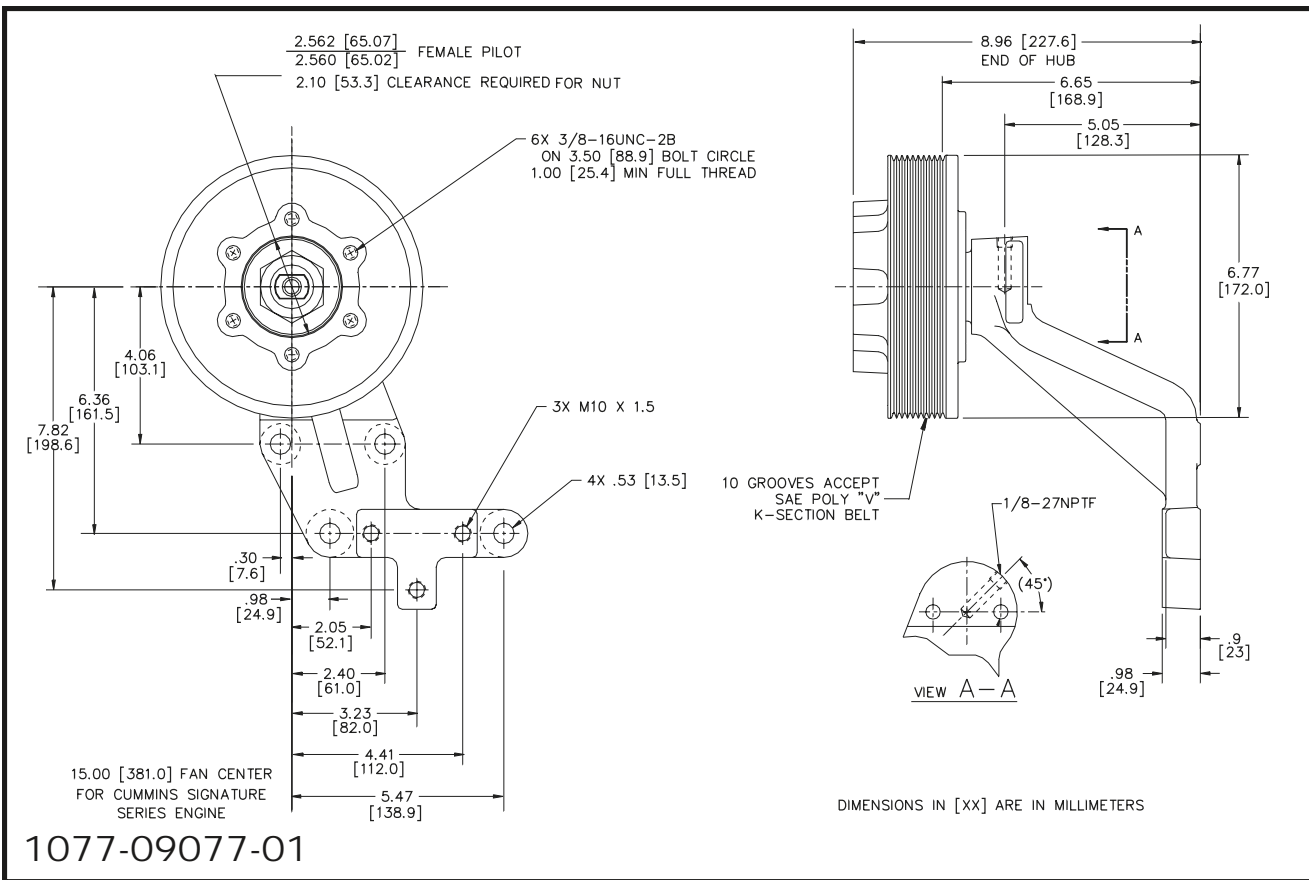
1077-09067-04

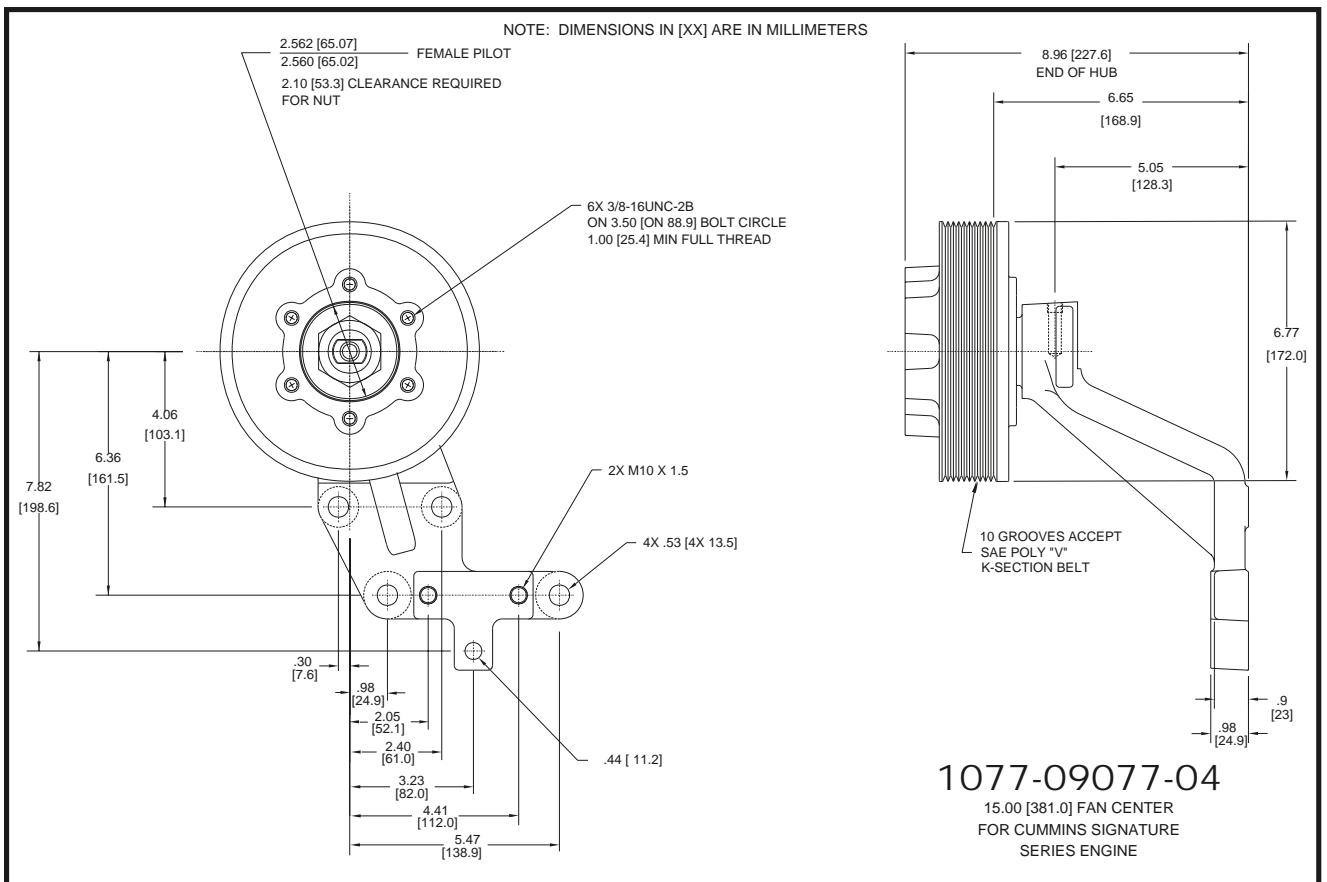
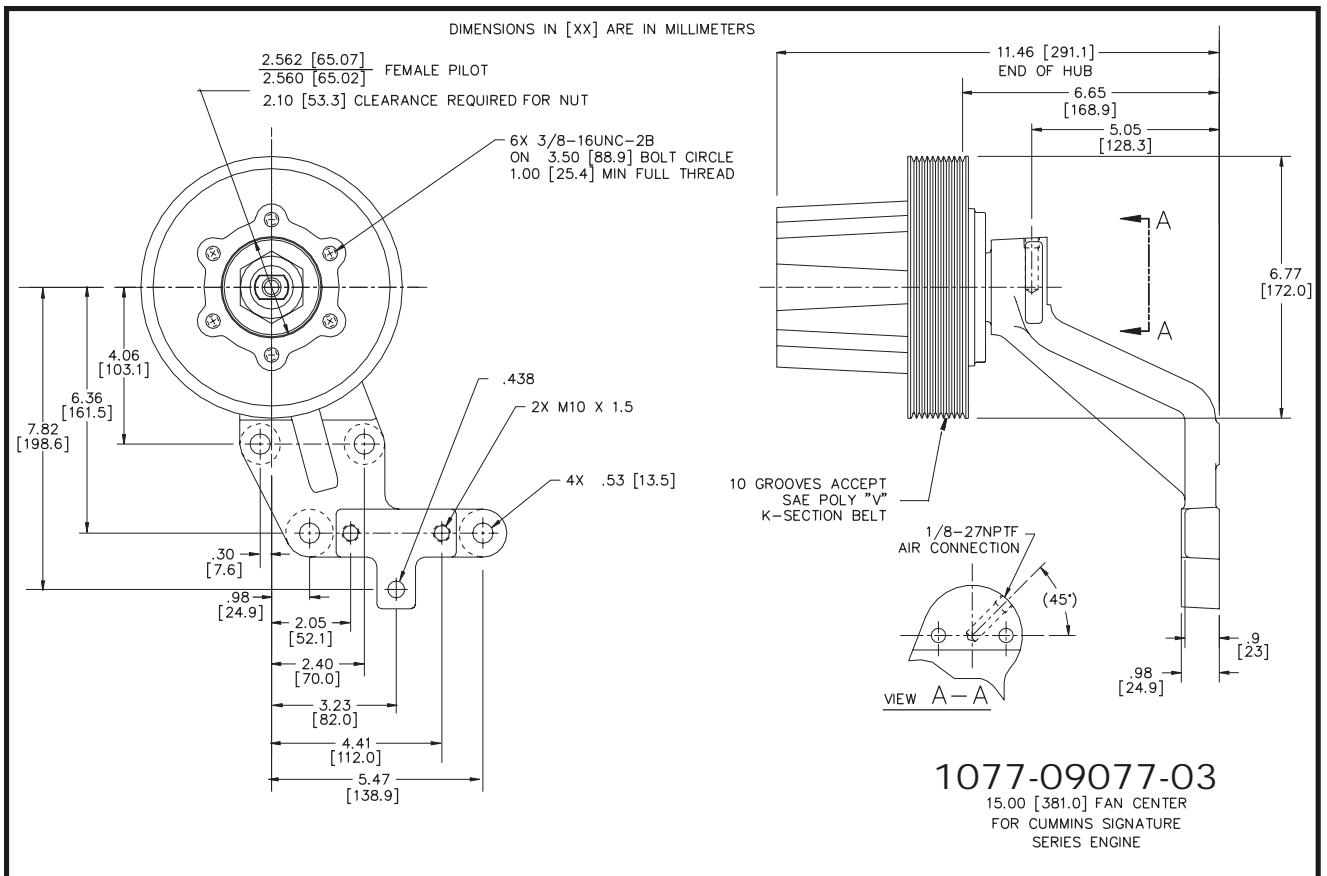


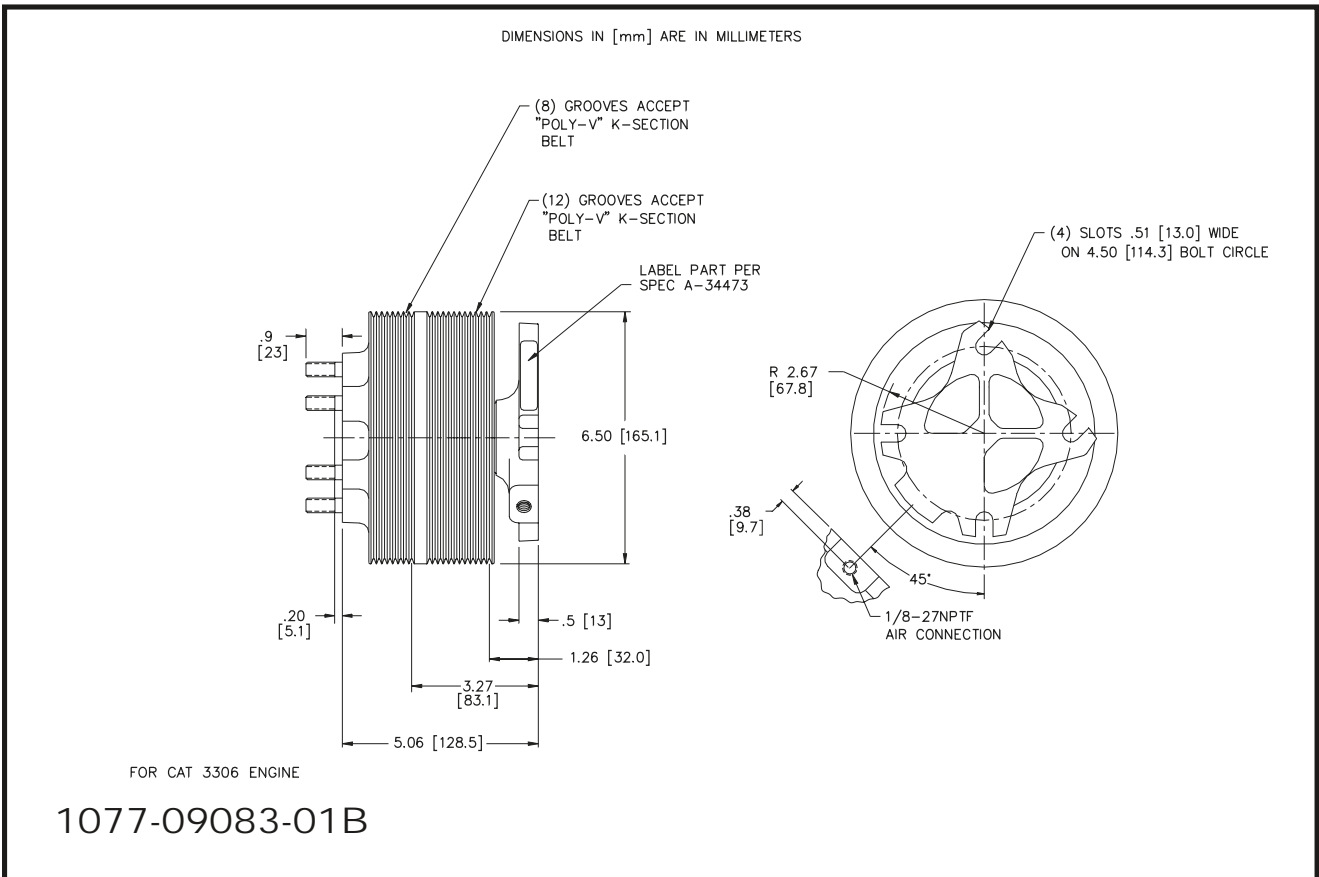
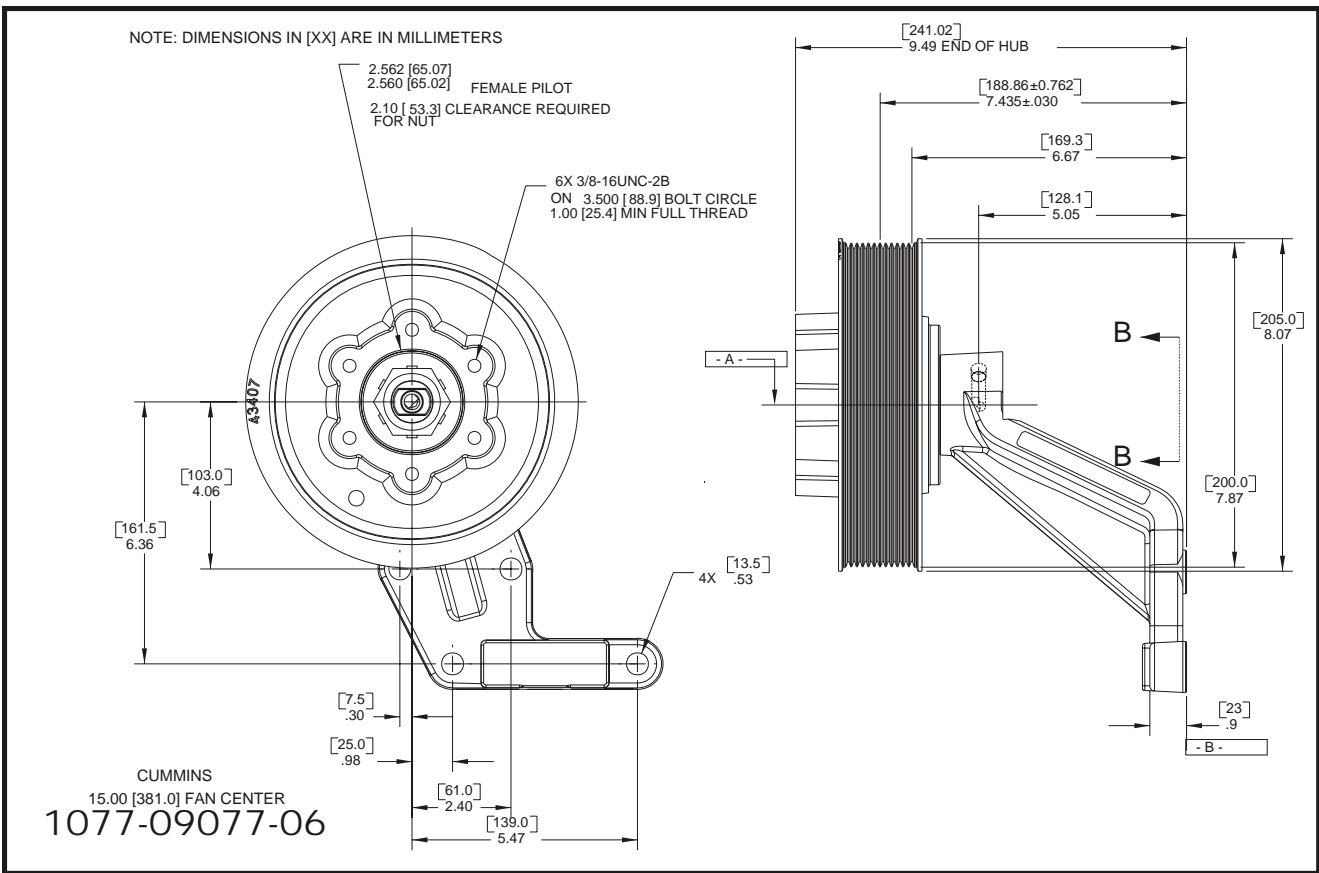


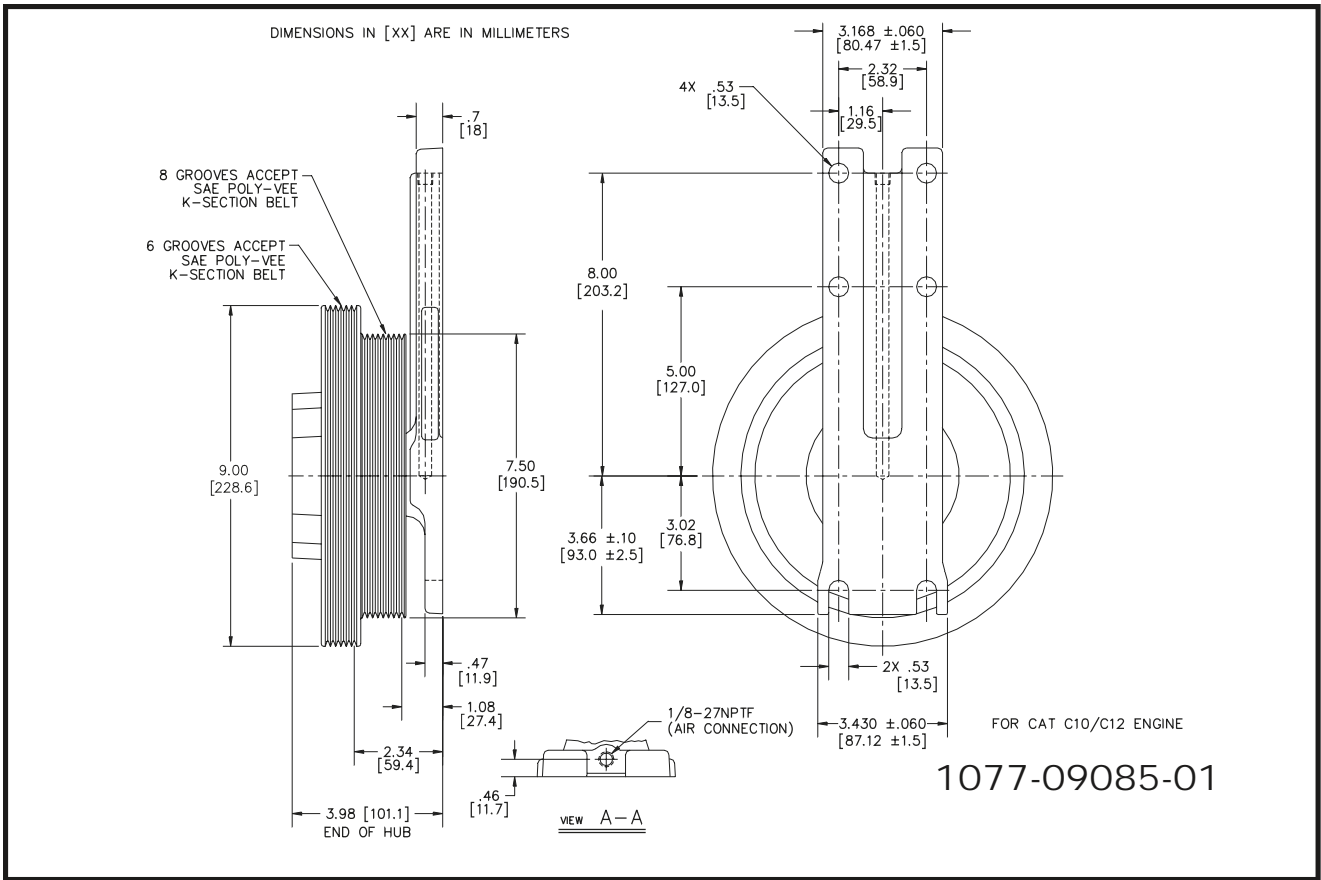




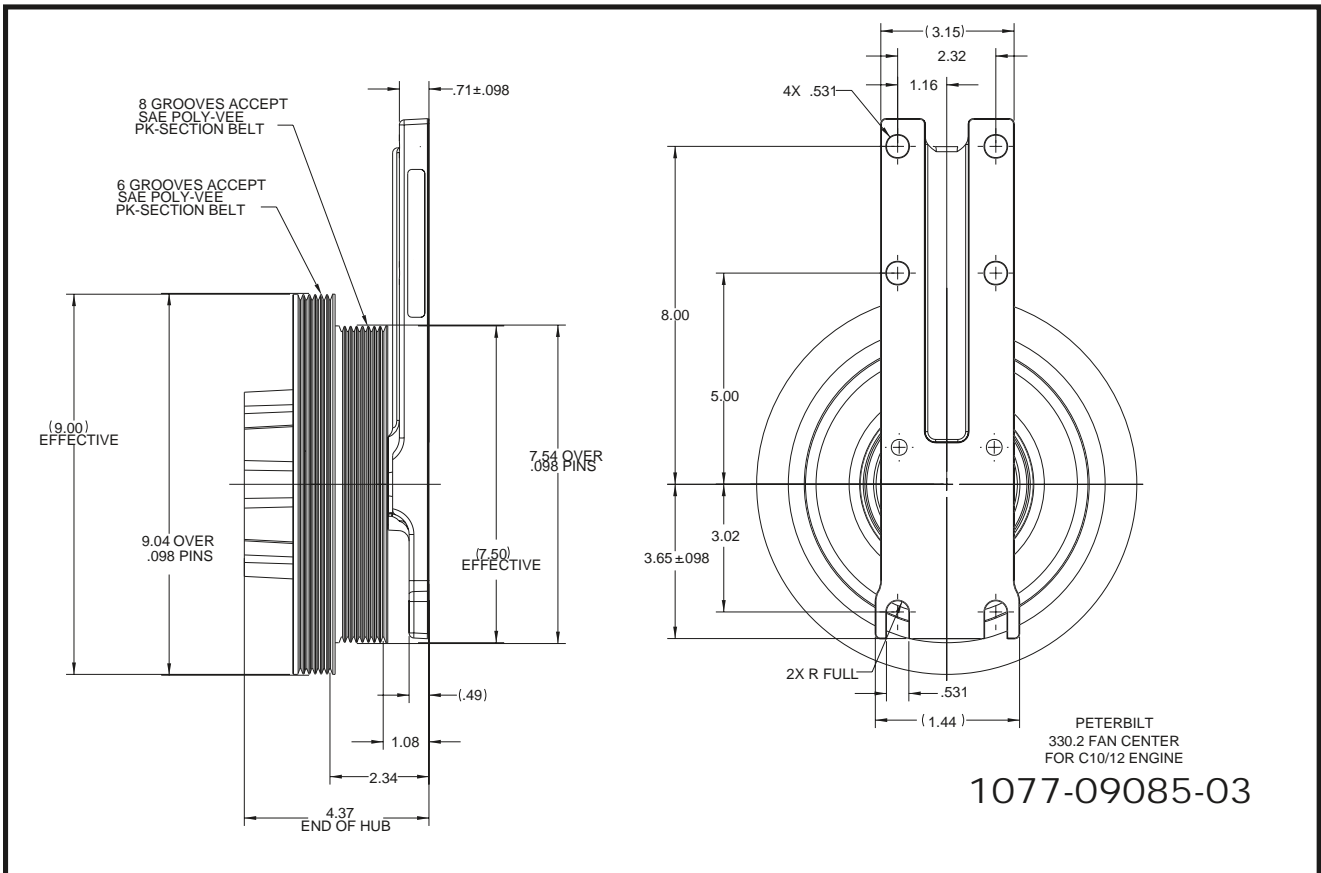


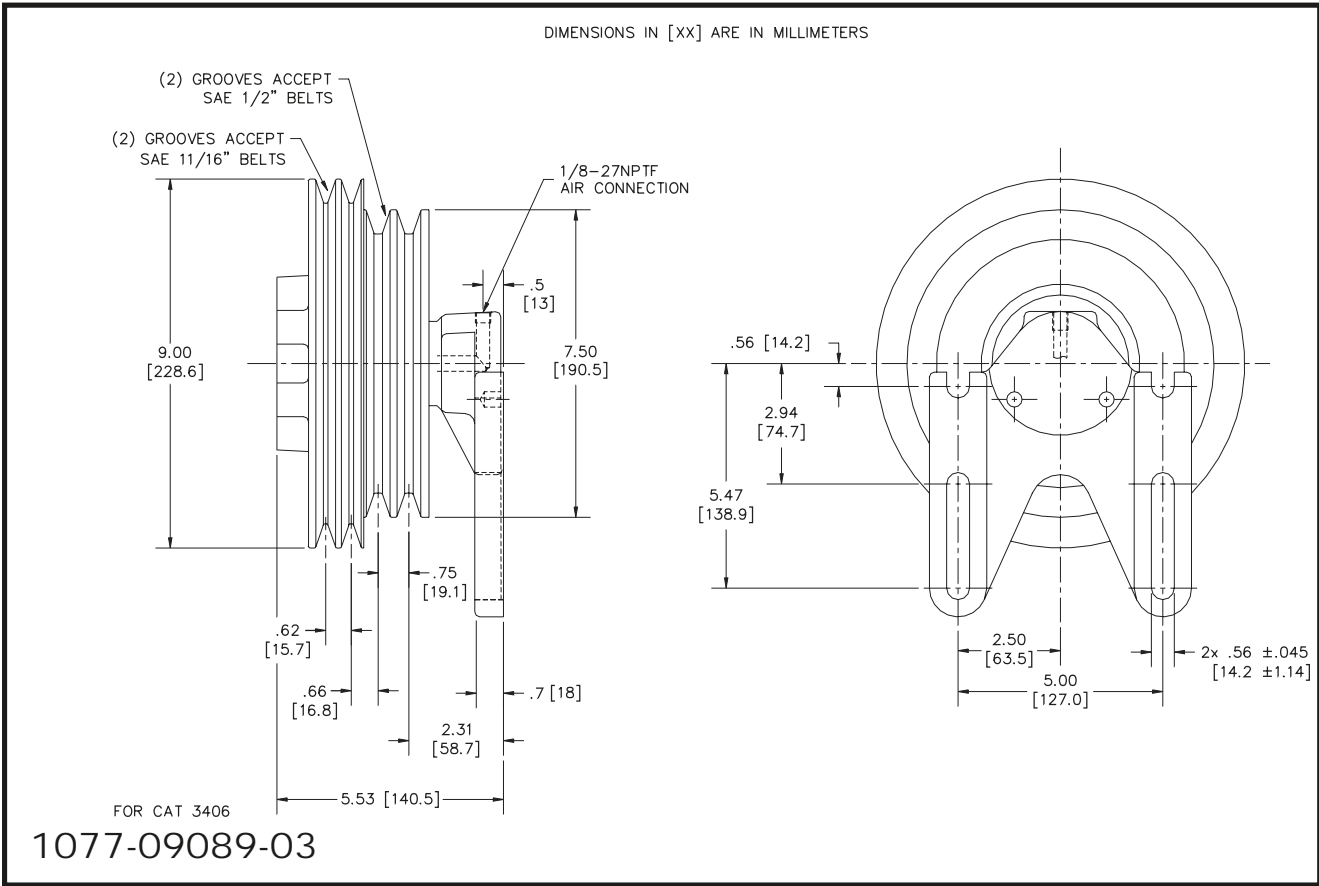
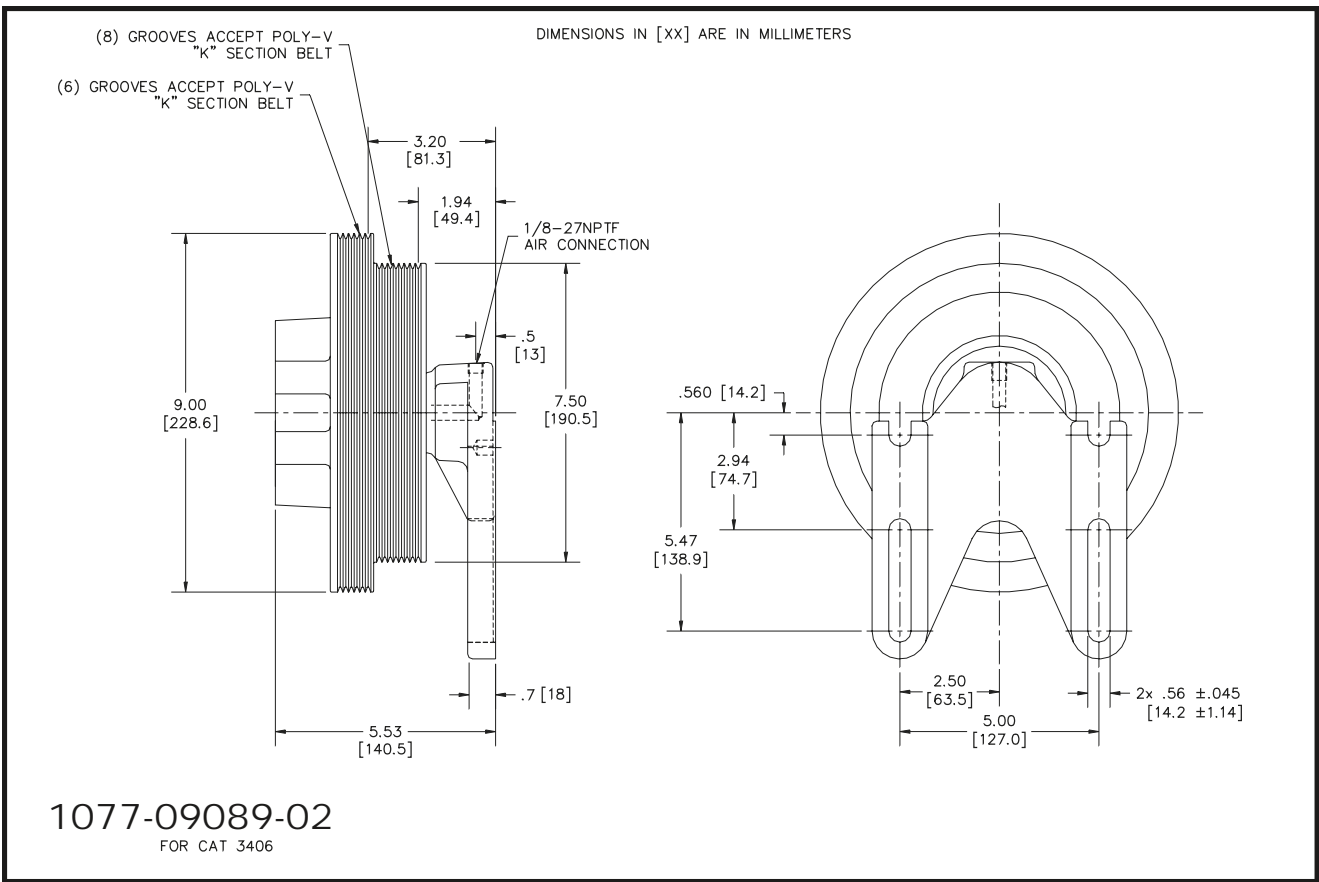


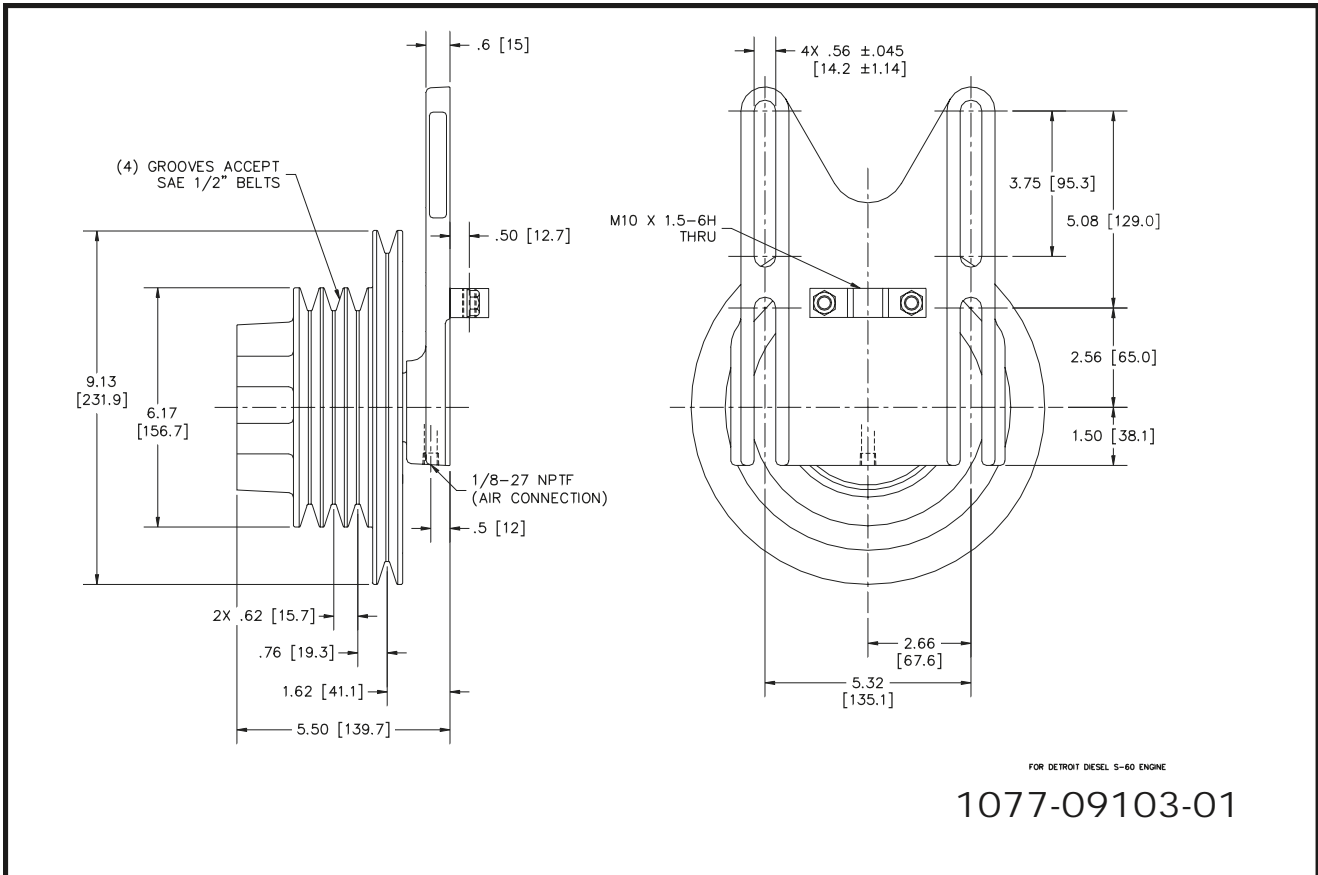
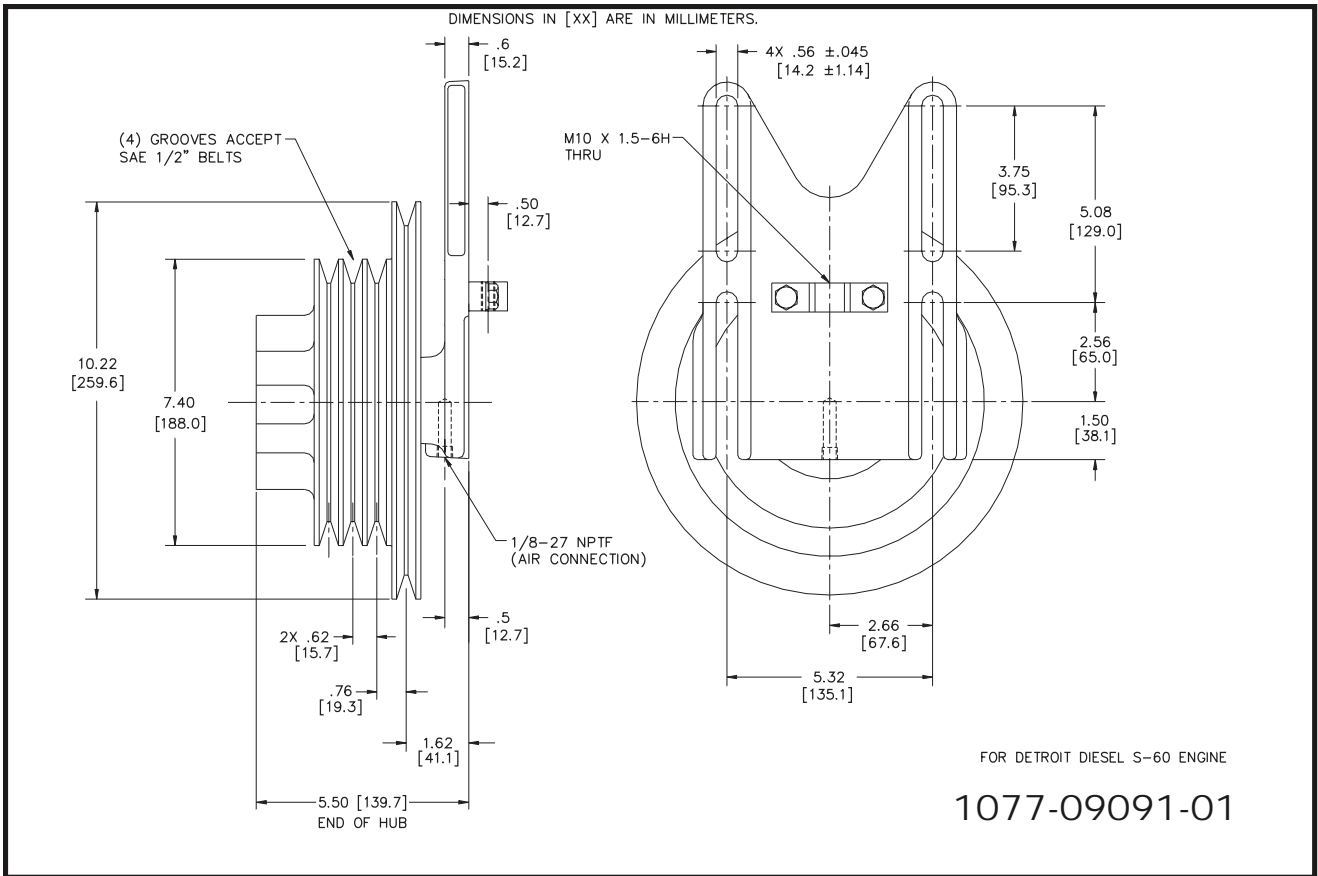




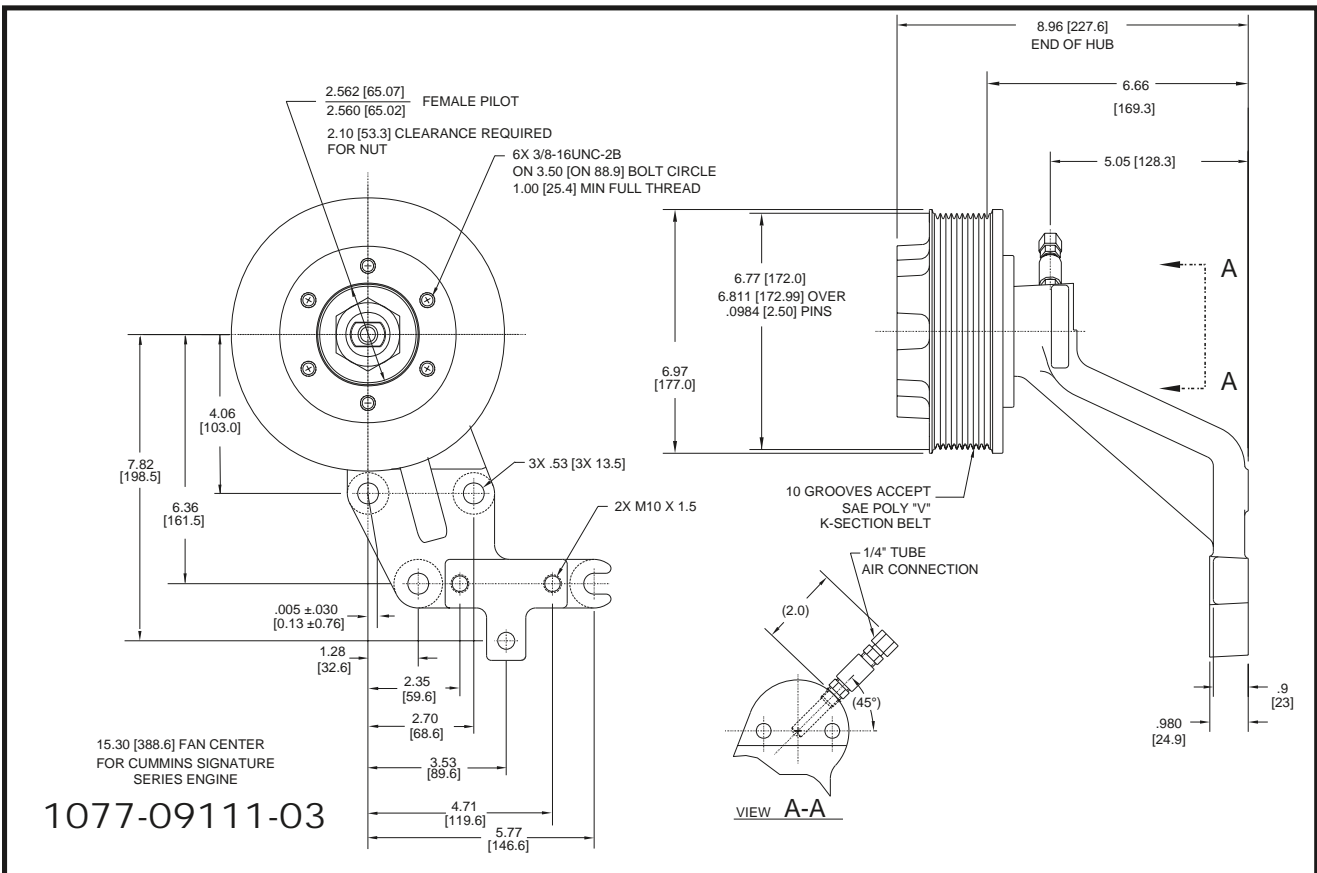
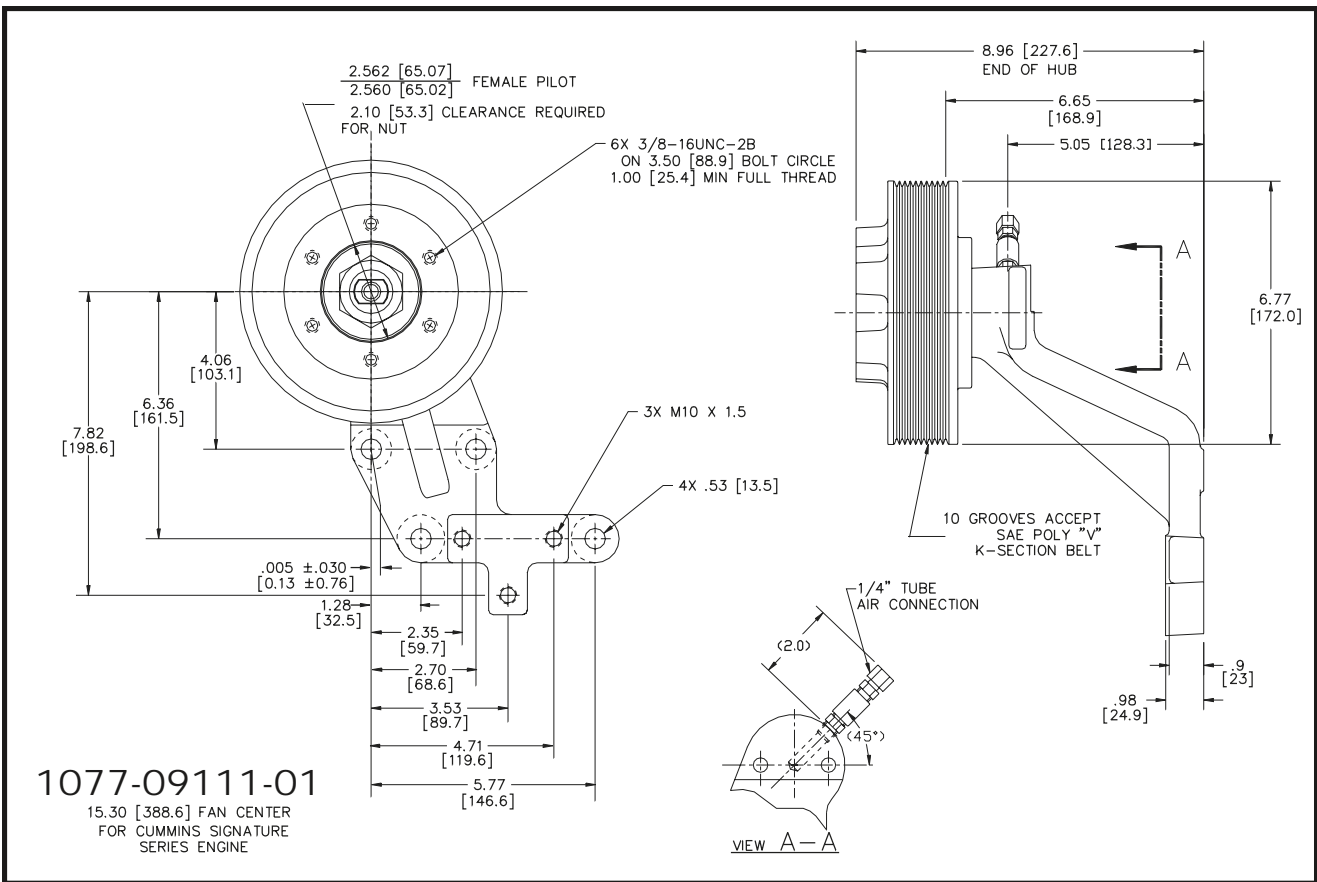
1077-09085-02 outline not available

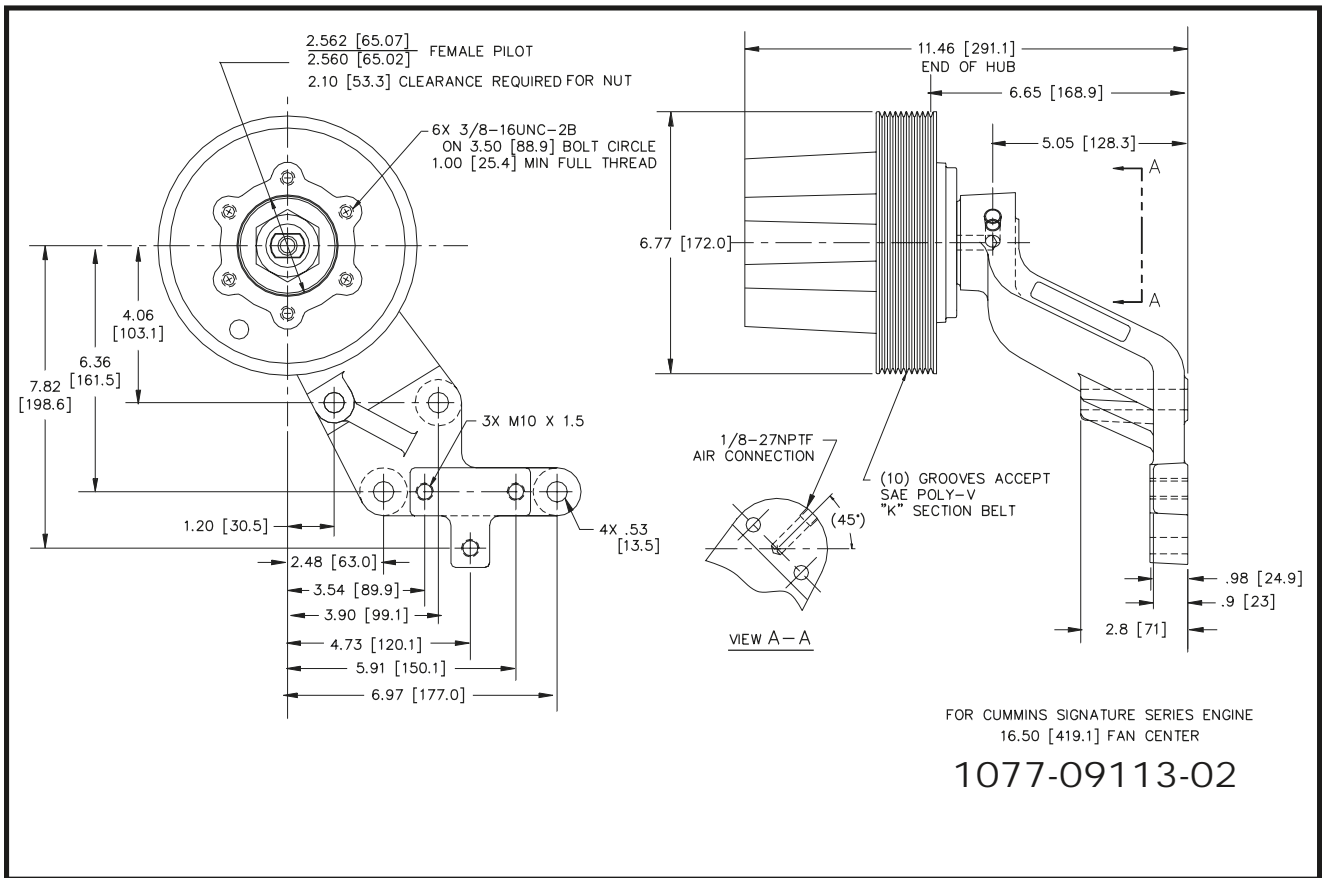
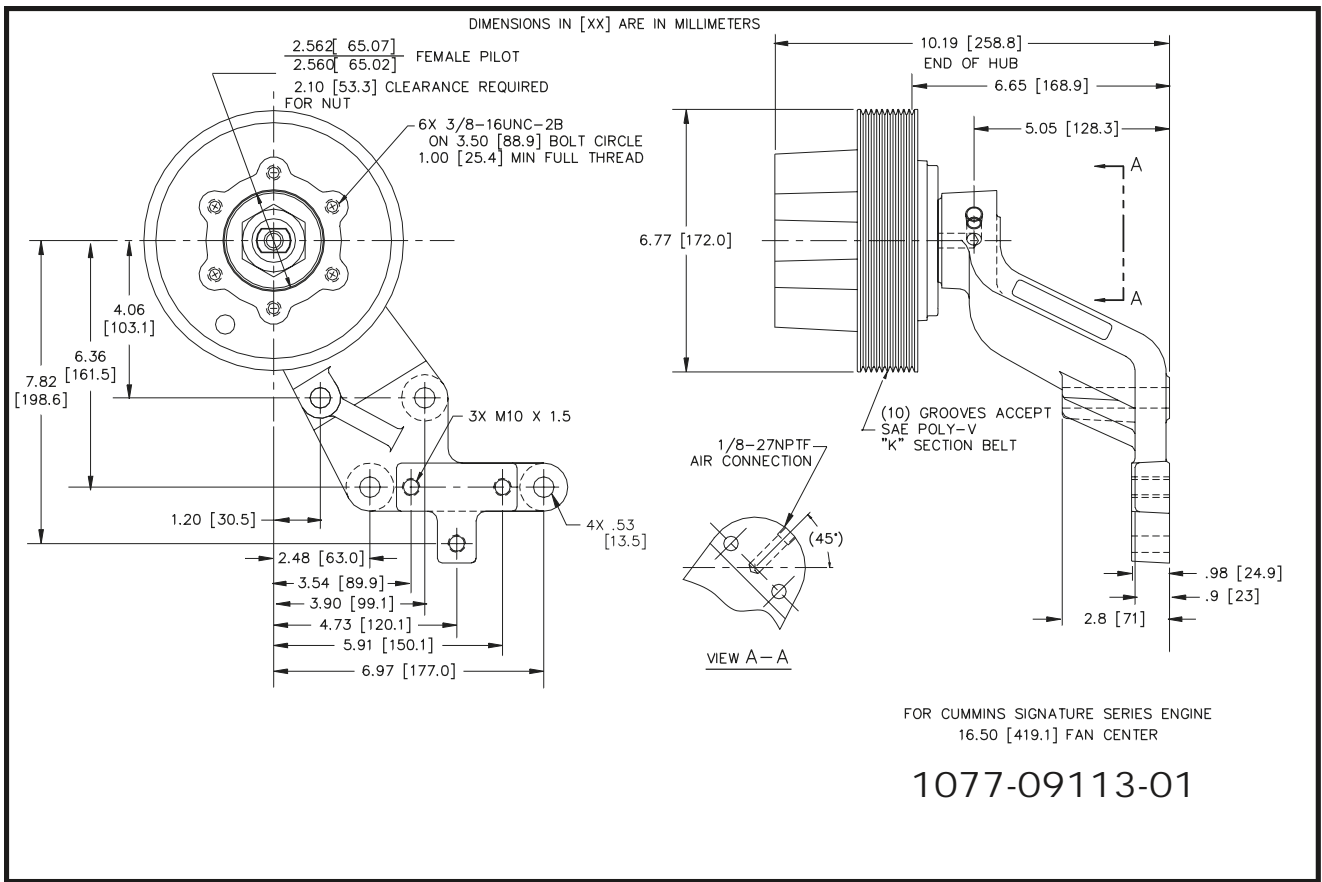


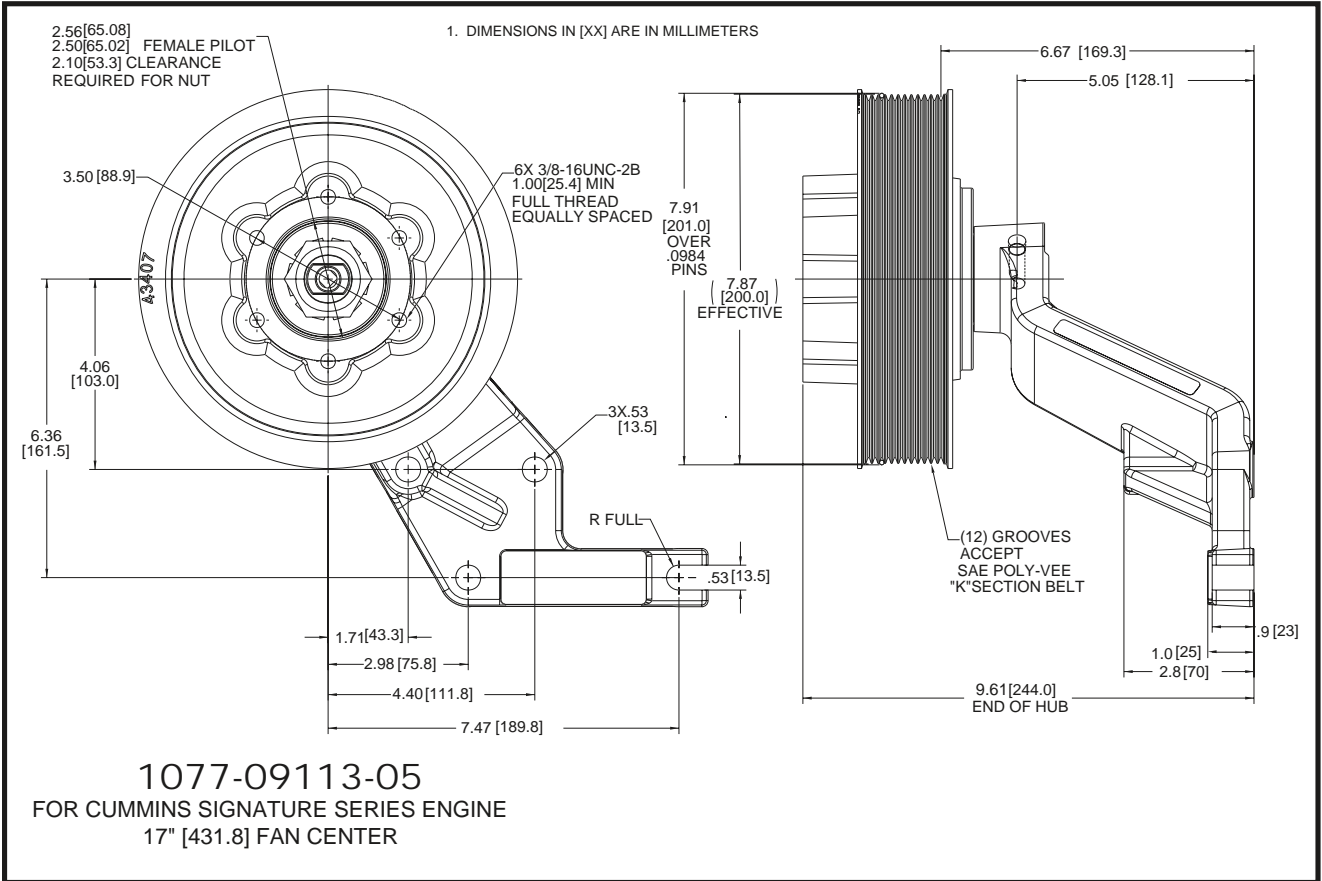
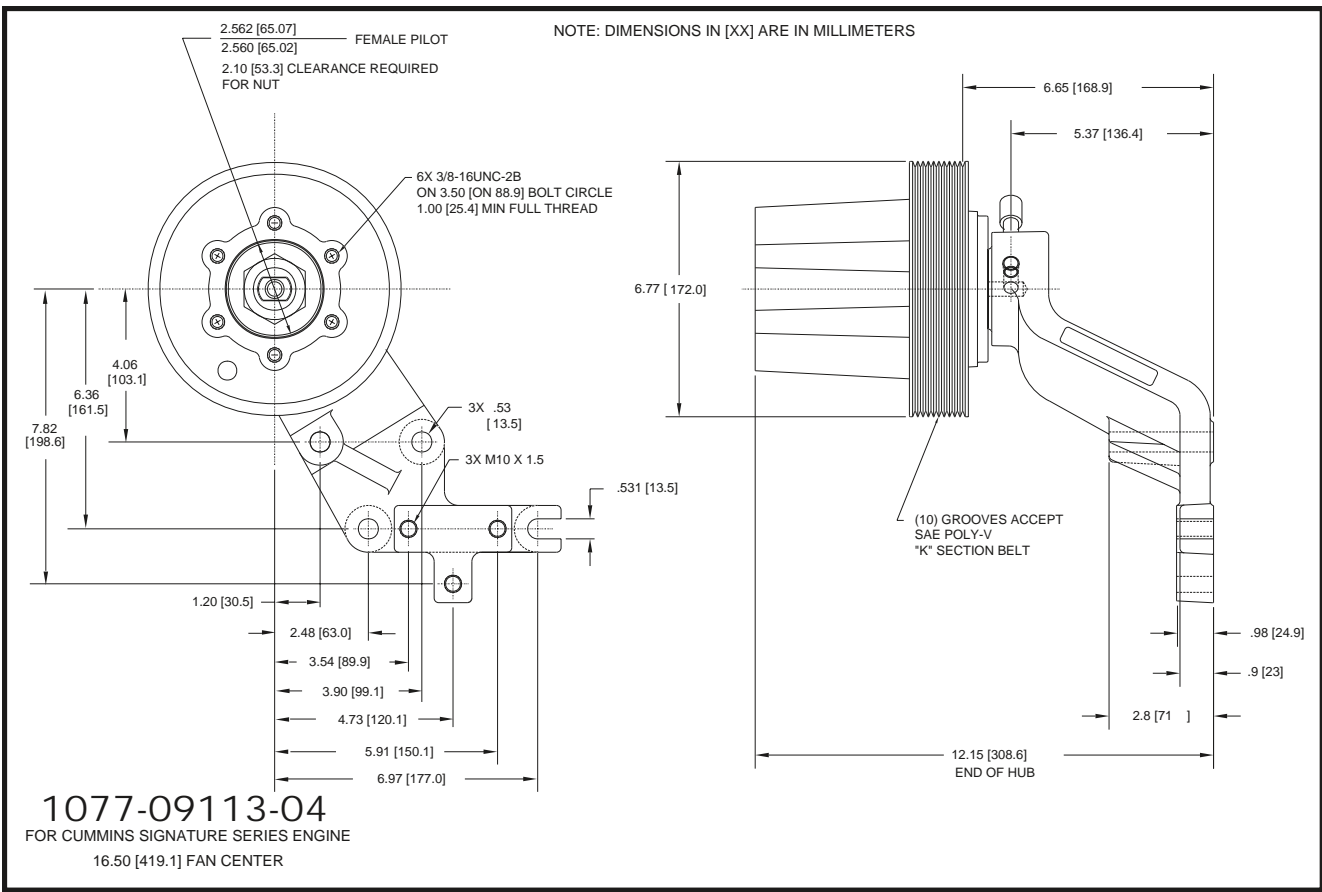


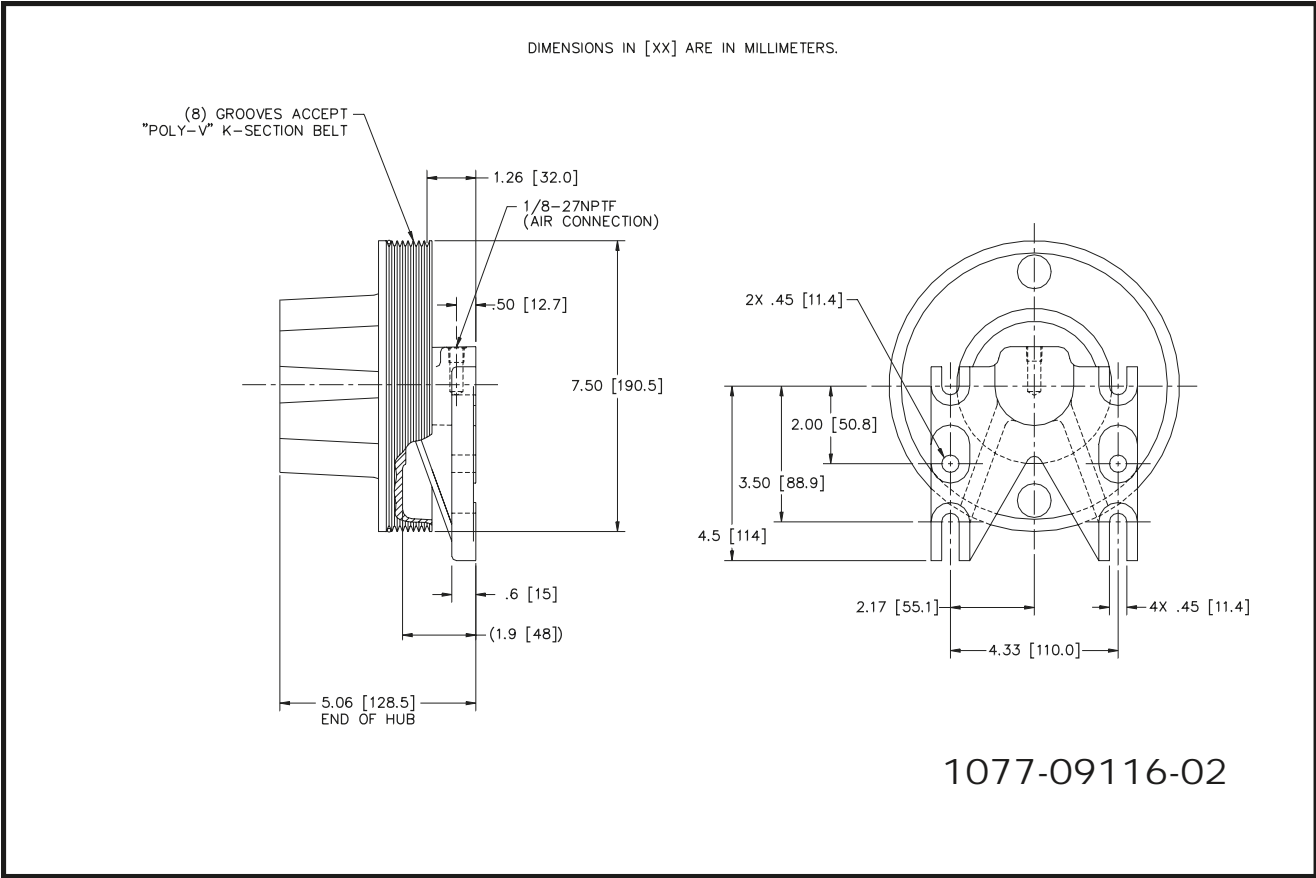
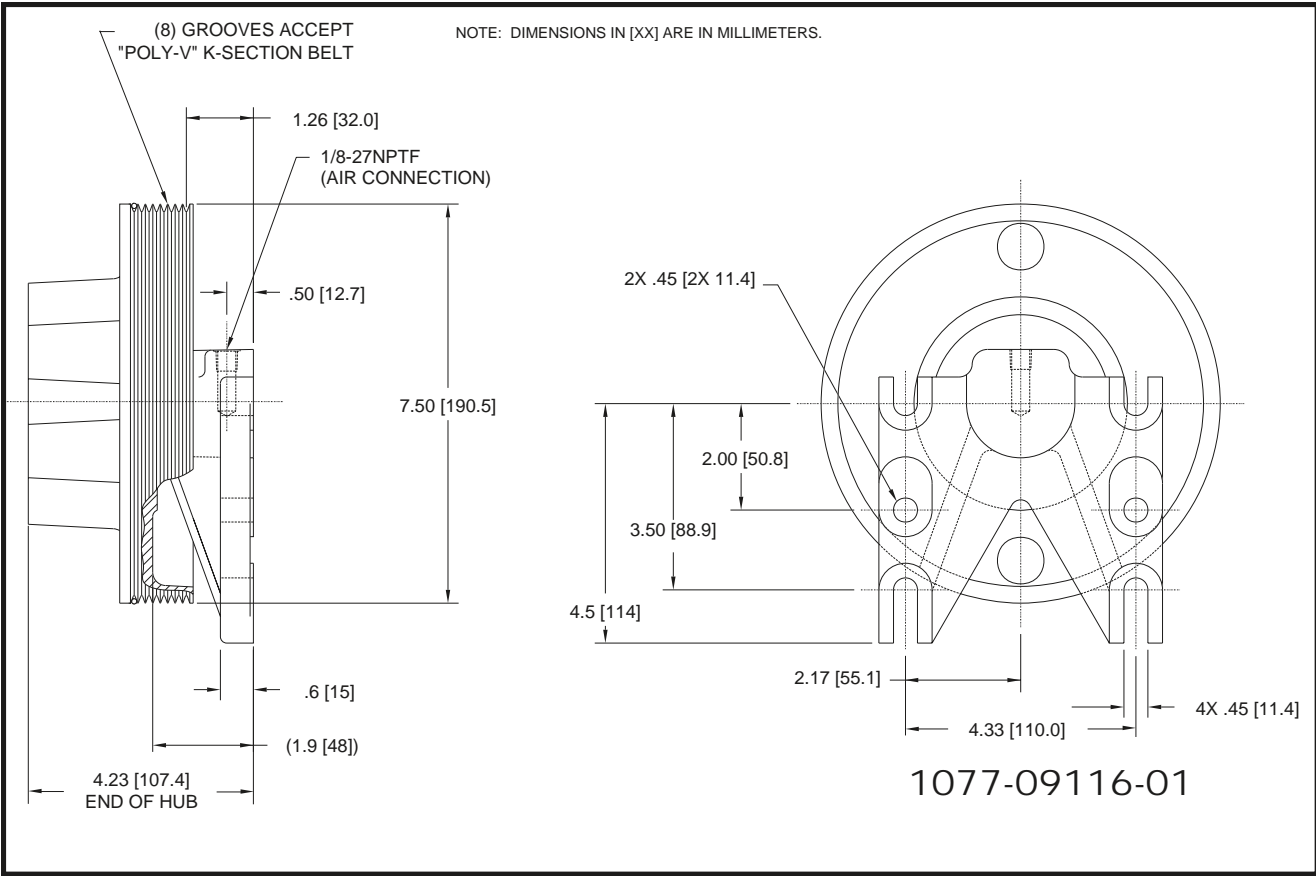




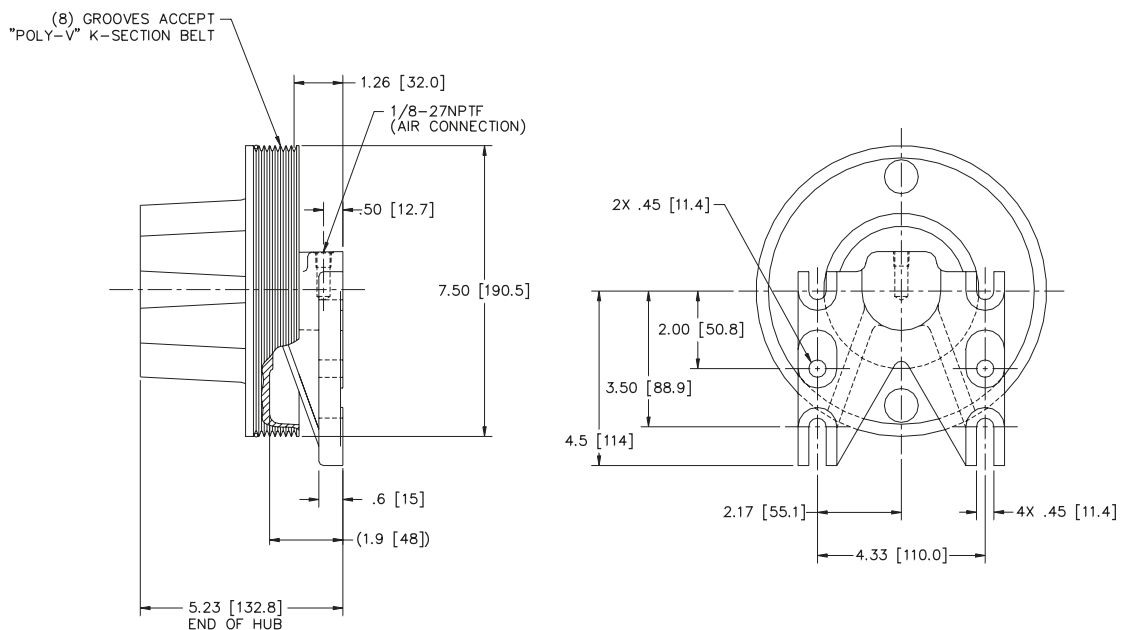






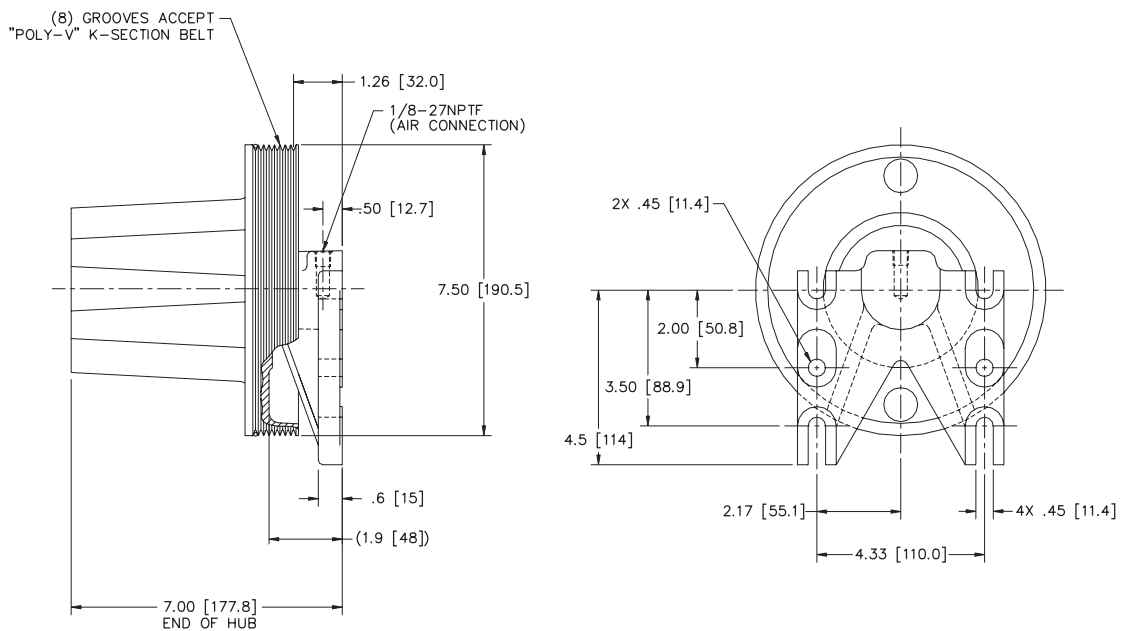


DIMENSIONS IN [XX] ARE IN MILLIMETERS.



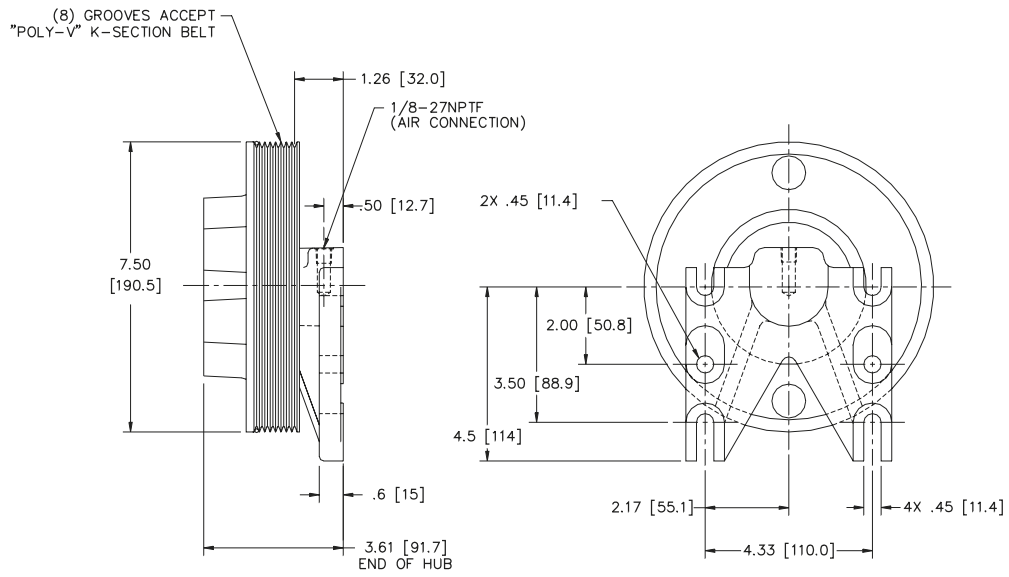
1077-09116-03

DIMENSIONS IN [XX] ARE IN MILLIMETERS.



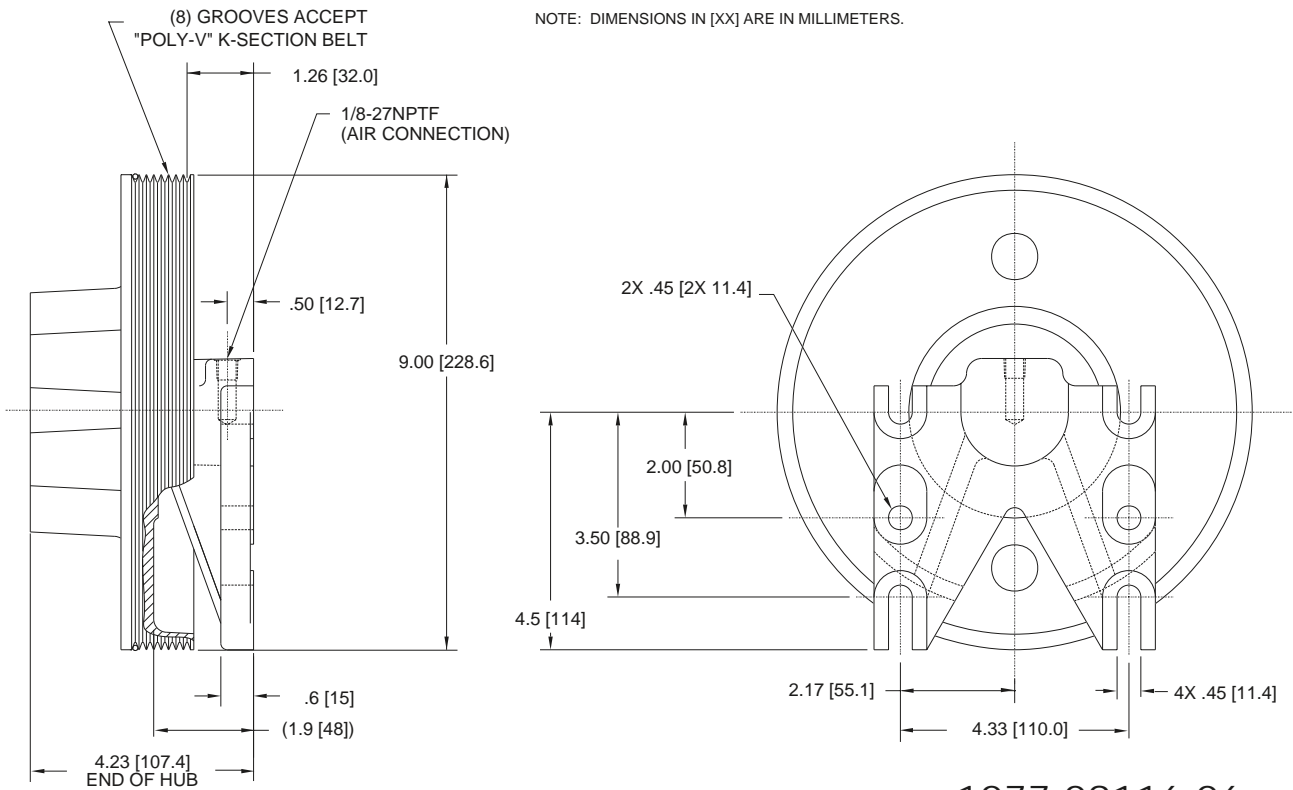
1077-09116-04

DIMENSIONS IN [XX] ARE IN MILLIMETERS.

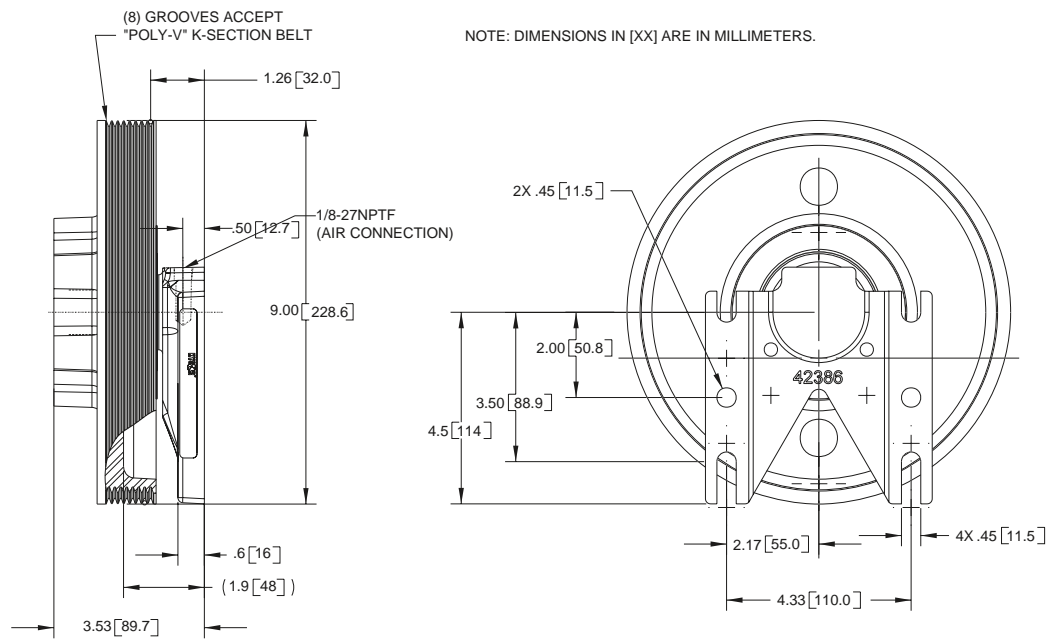


1077-09116-05

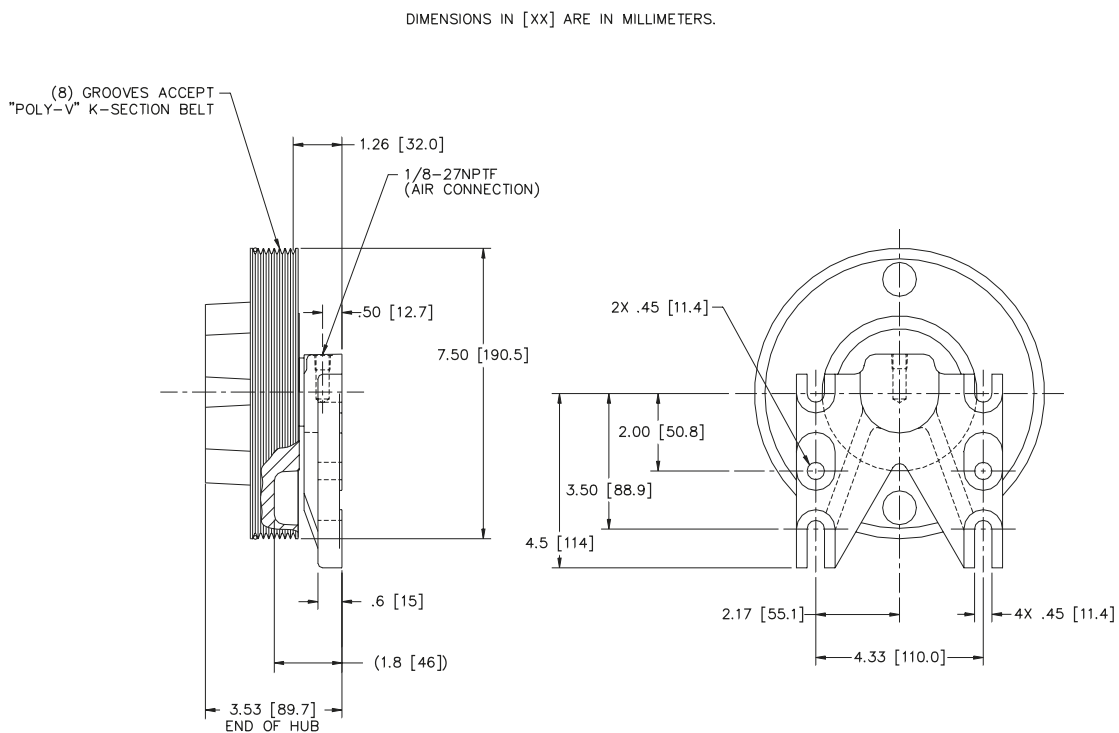
NOTE: DIMENSIONS IN [XX] ARE IN MILLIMETERS.



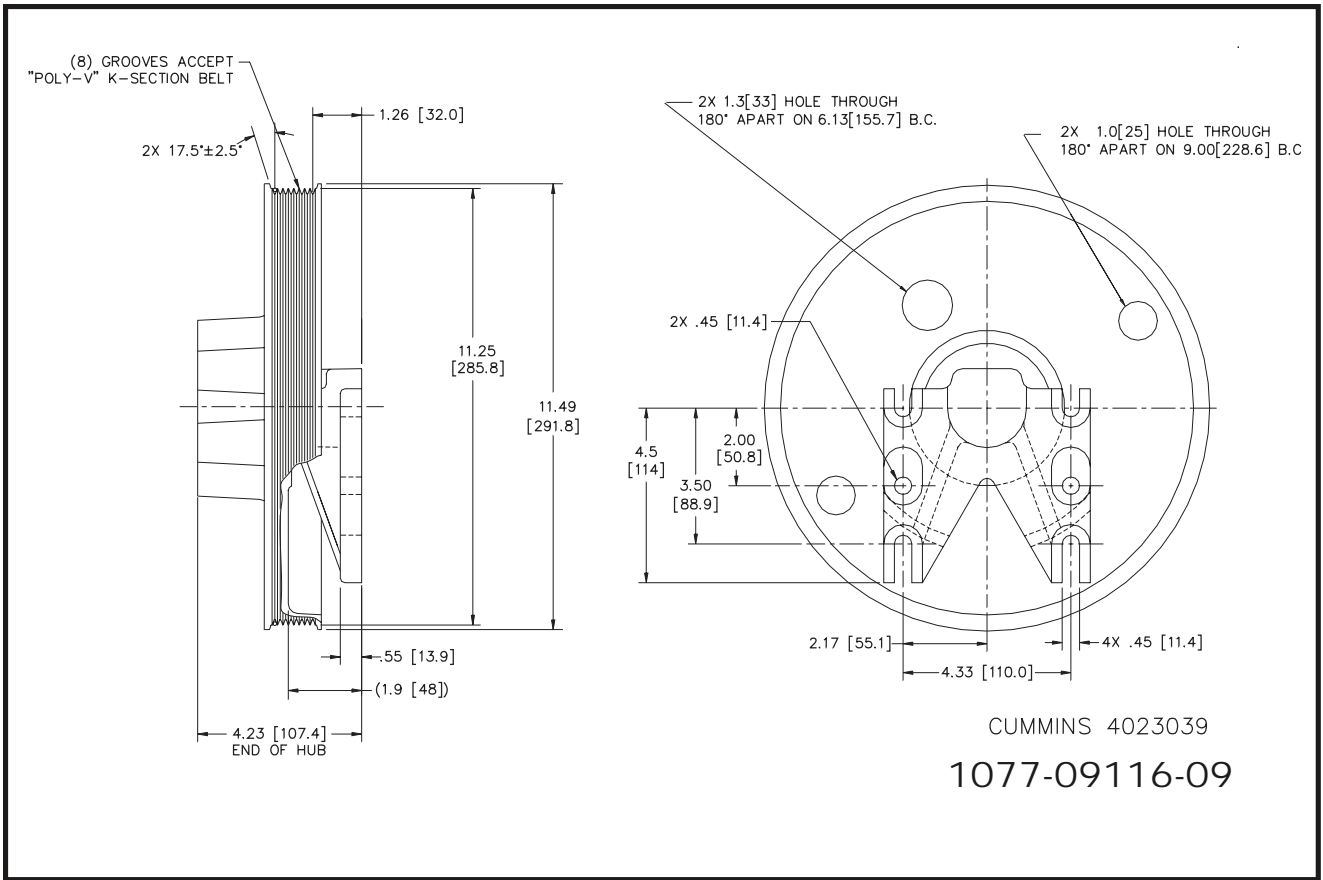
1077-09116-06



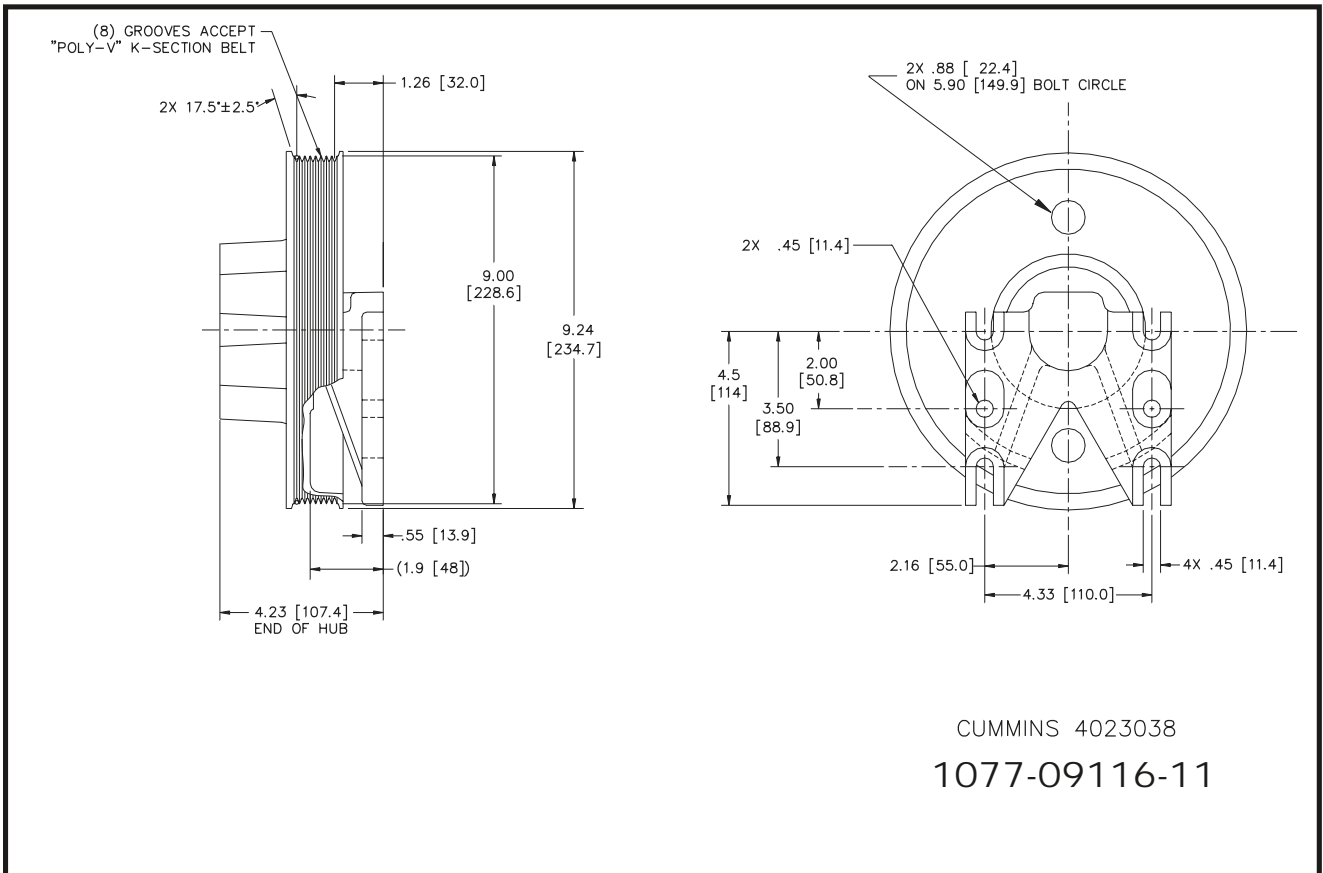
1077-09116-07



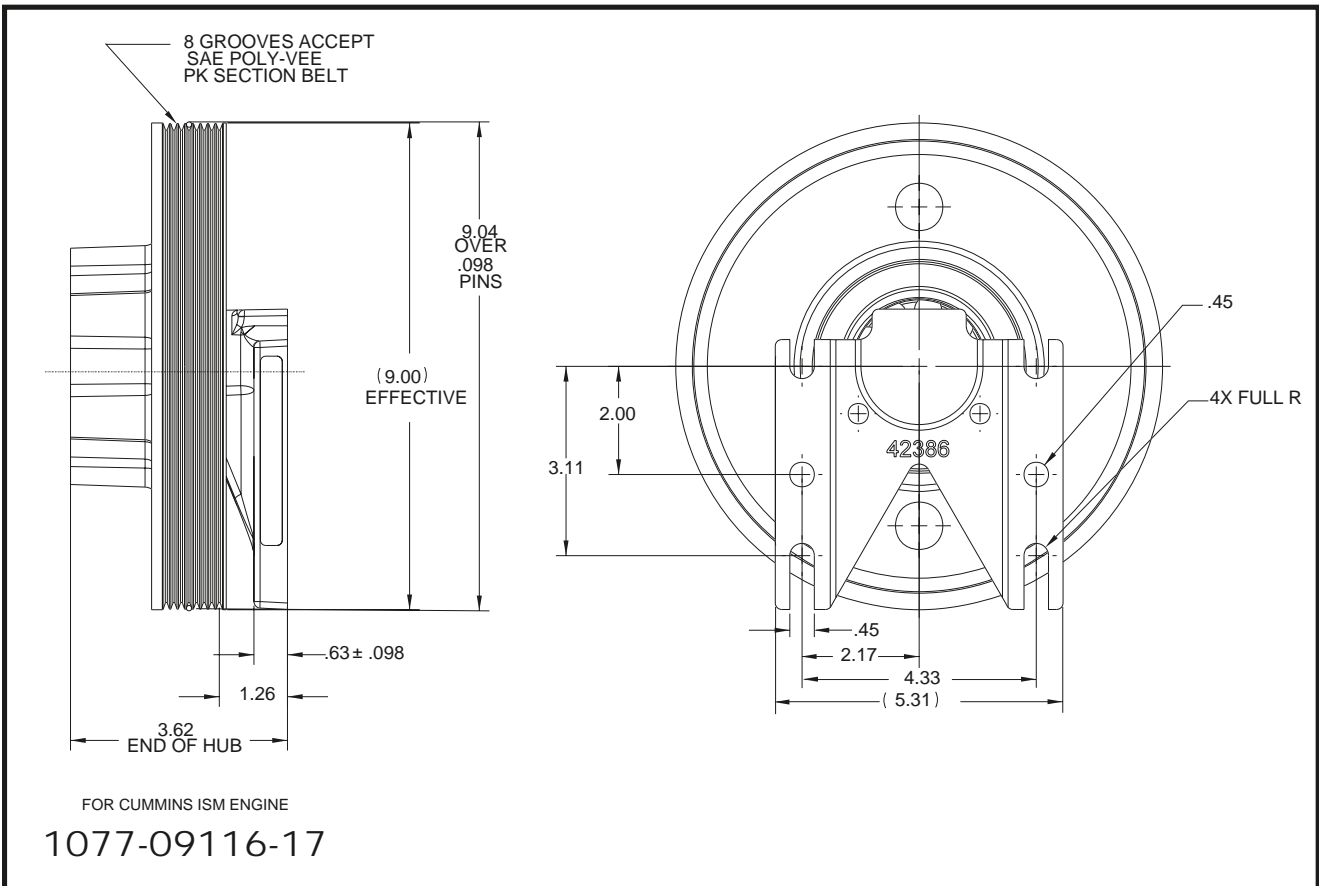
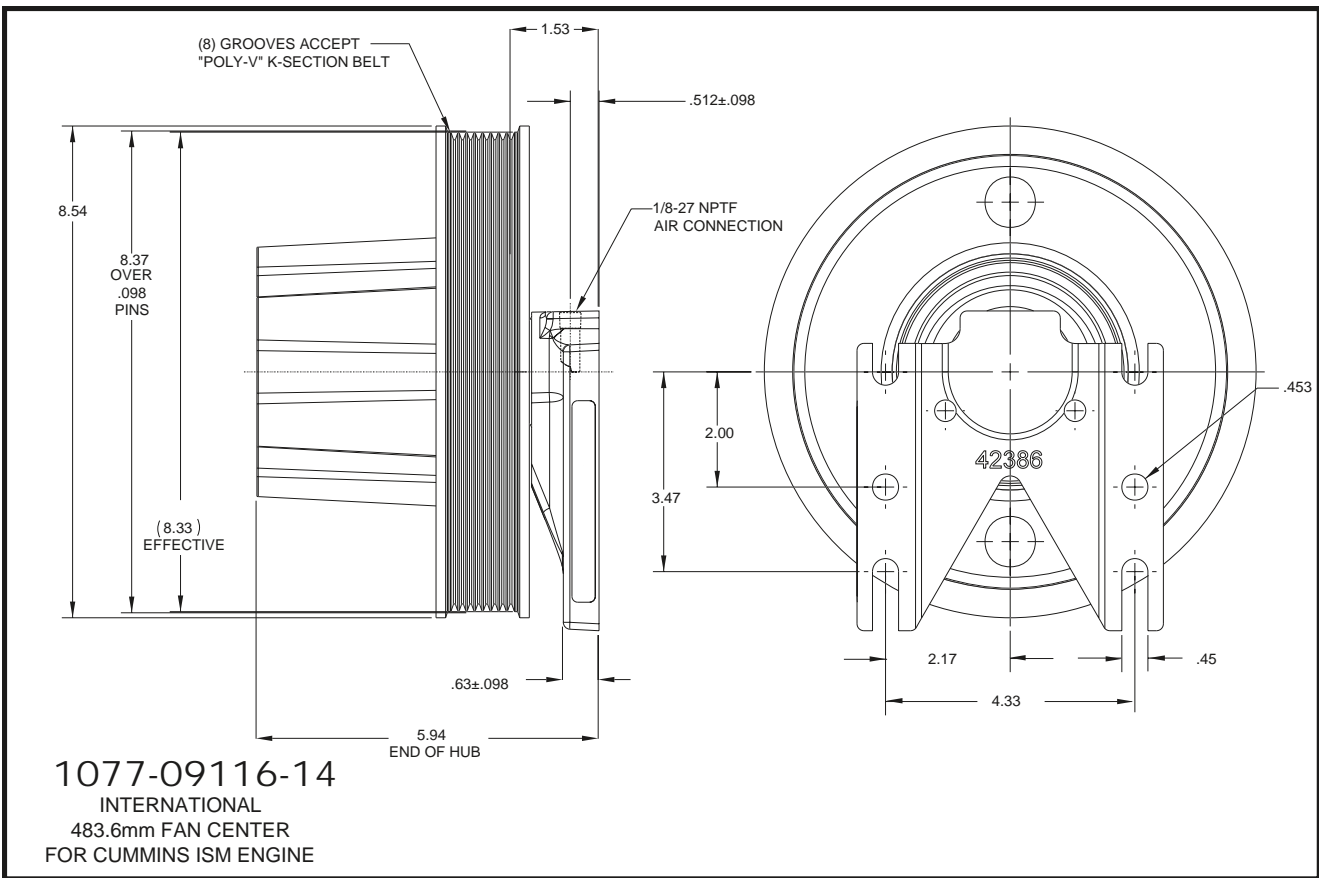
1077-09116-08

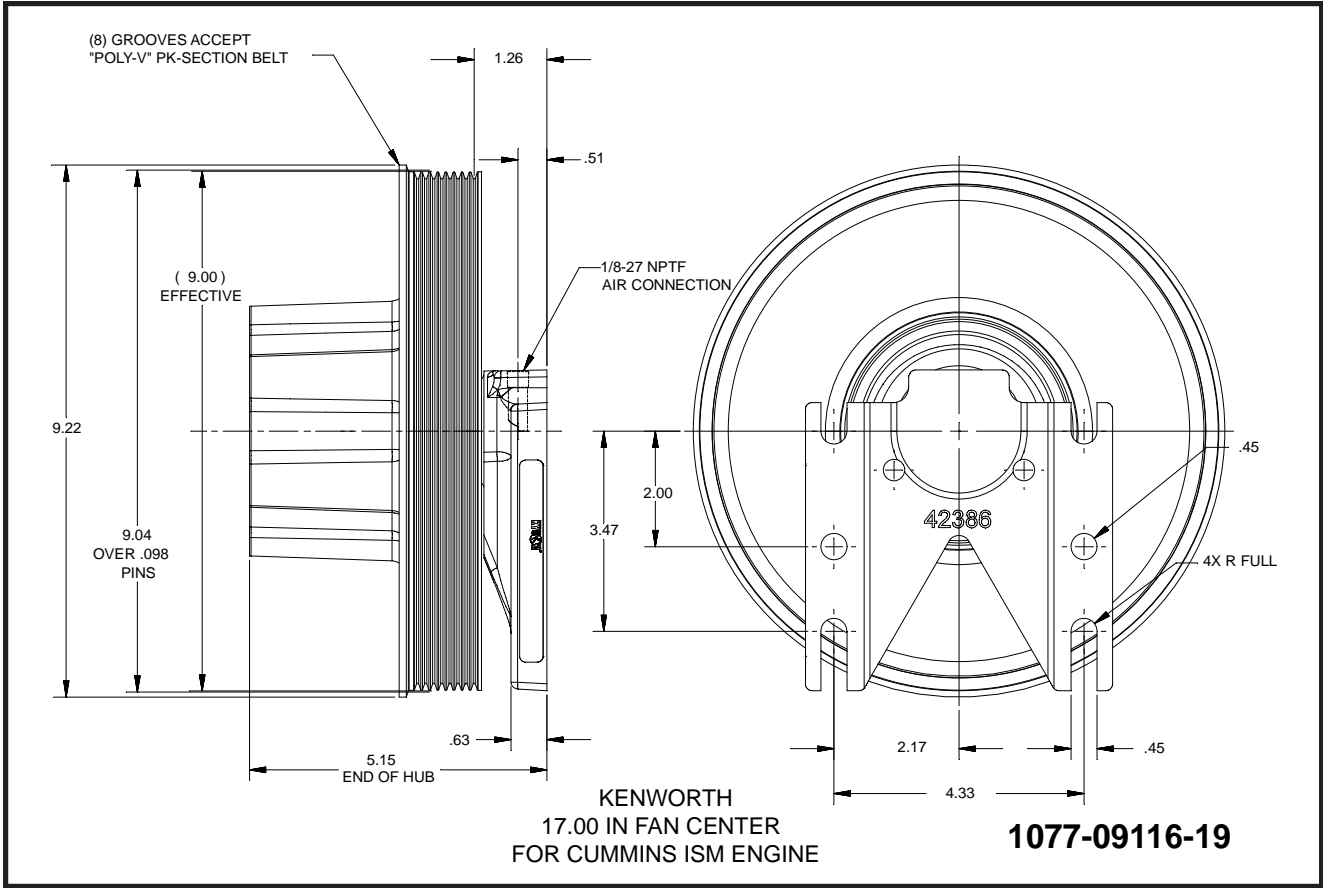
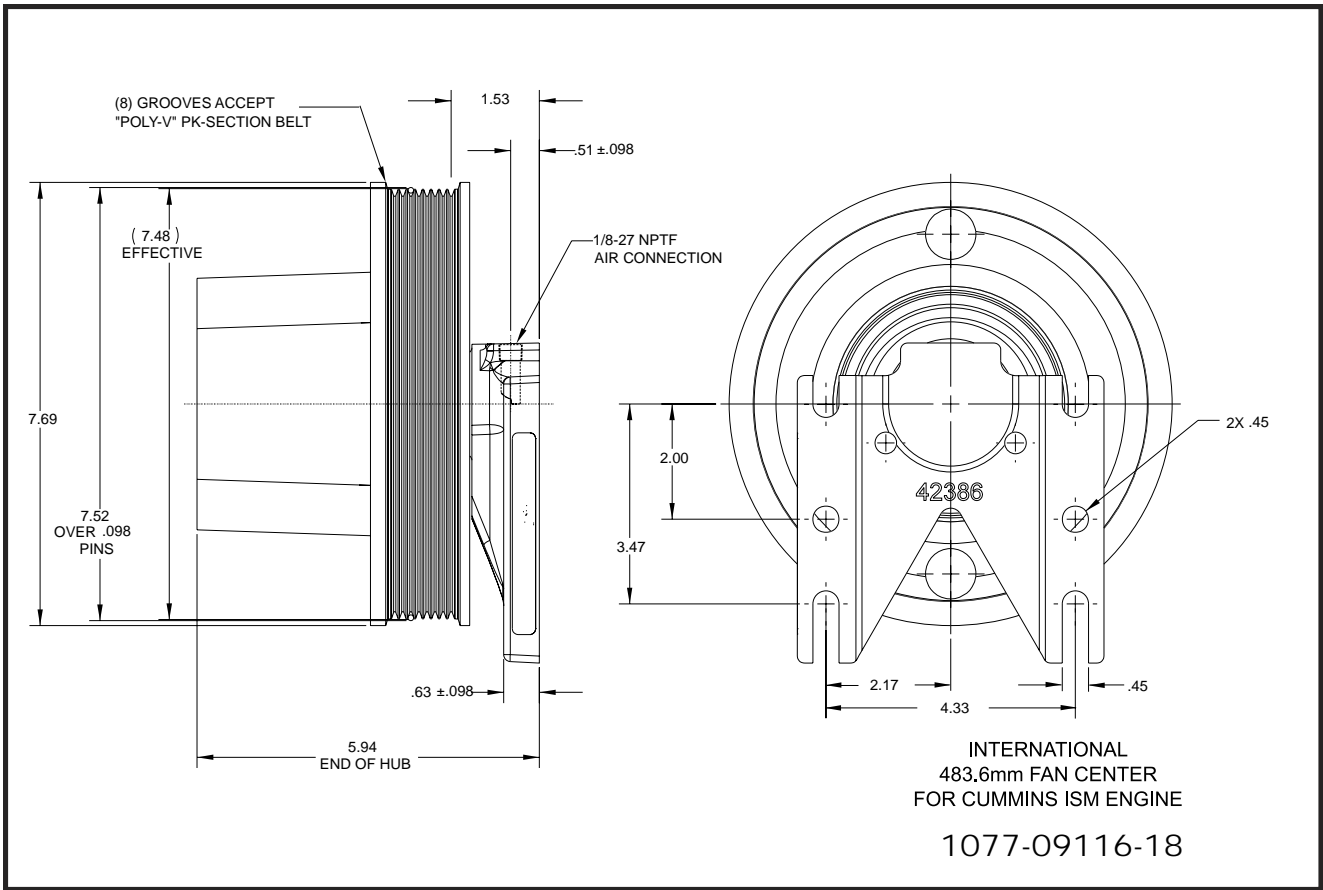


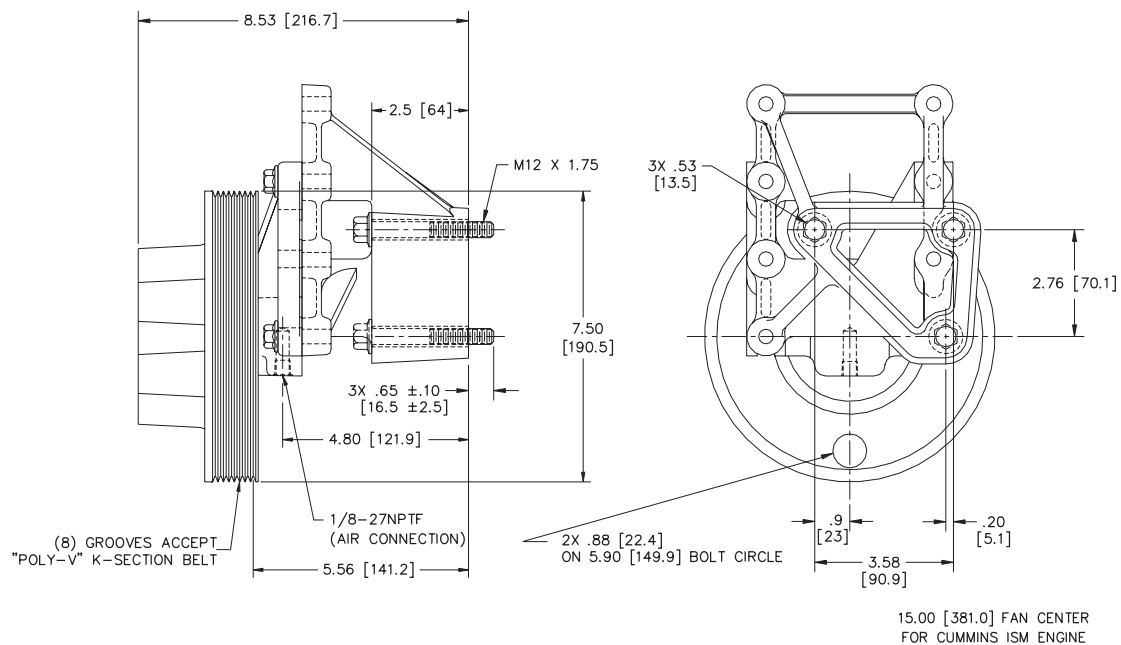
1077-09116-10 outline not available





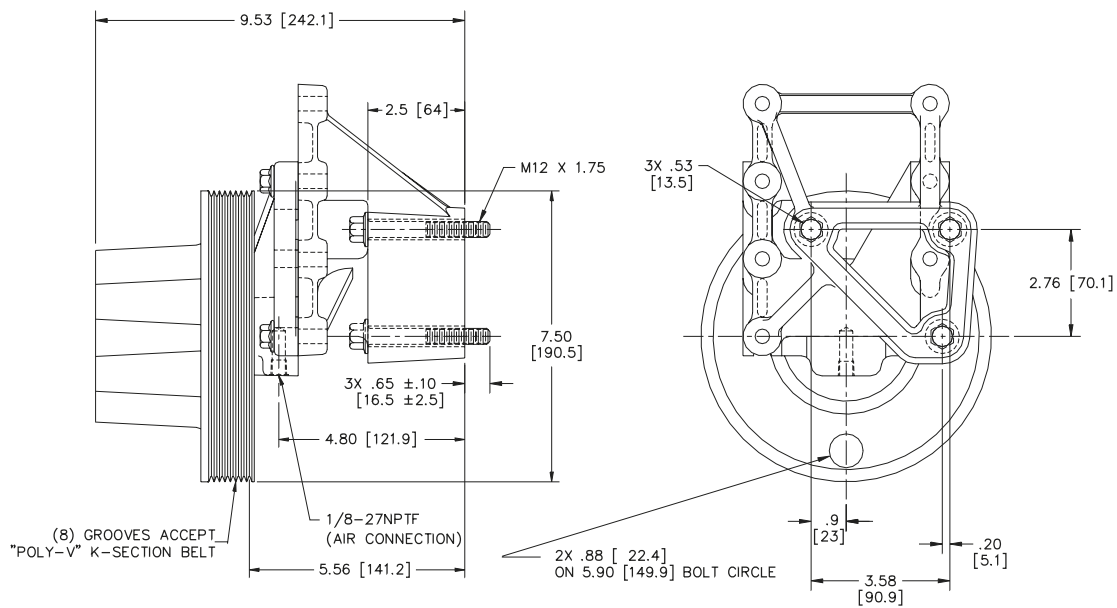






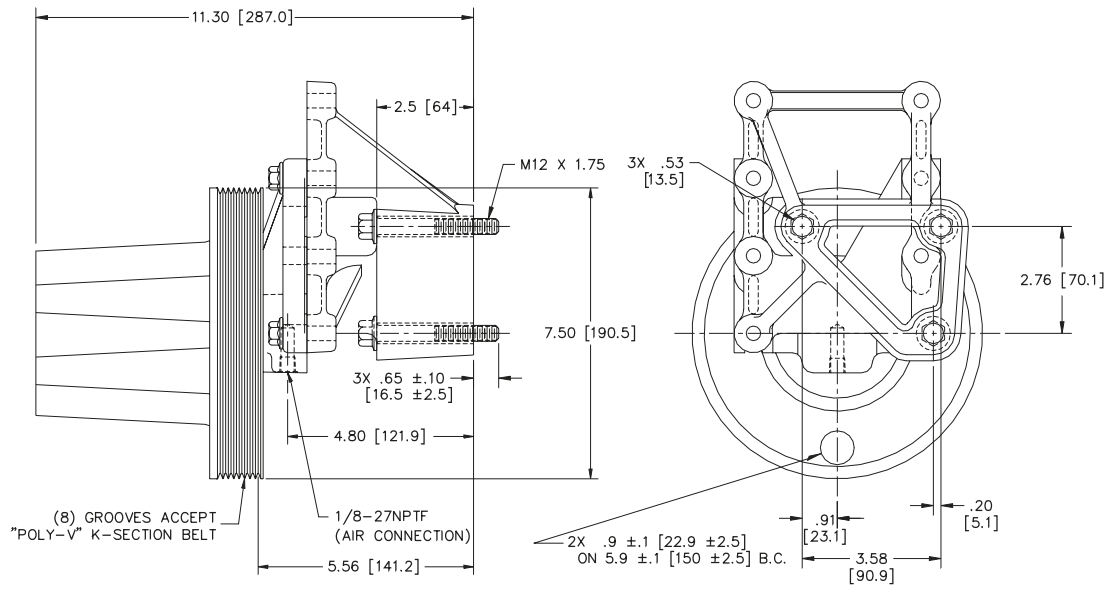
1077-09118-01

DIMENSIONS IN [XX] ARE IN MILLIMETERS



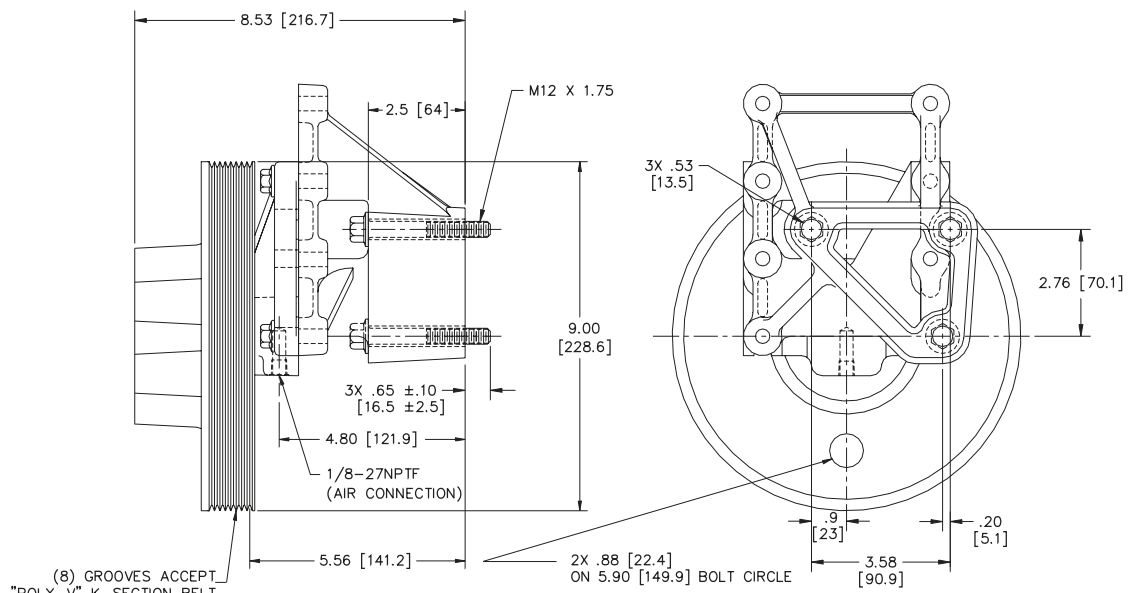
1077-09118-02

DIMENSIONS IN [XX] ARE IN MILLIMETERS



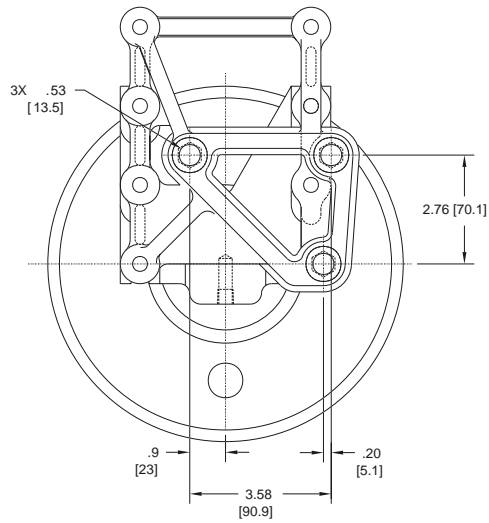
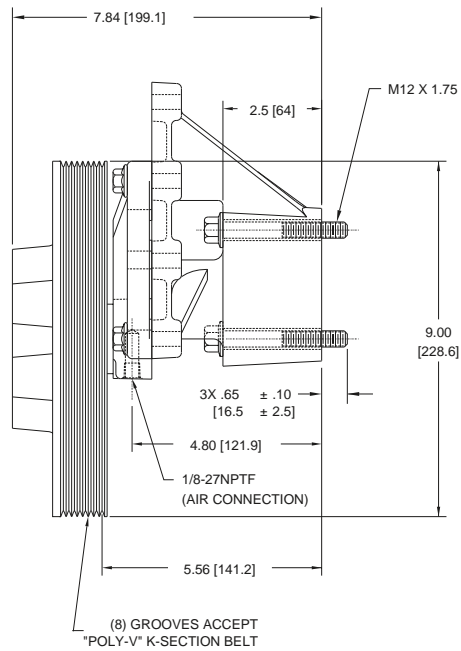
15.00 [381.0] FAN CENTER  
FOR CUMMINS ISM ENGINE

1077-09118-03



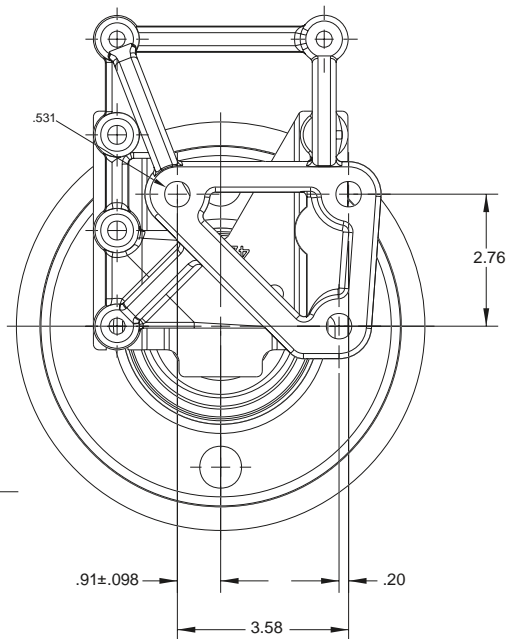
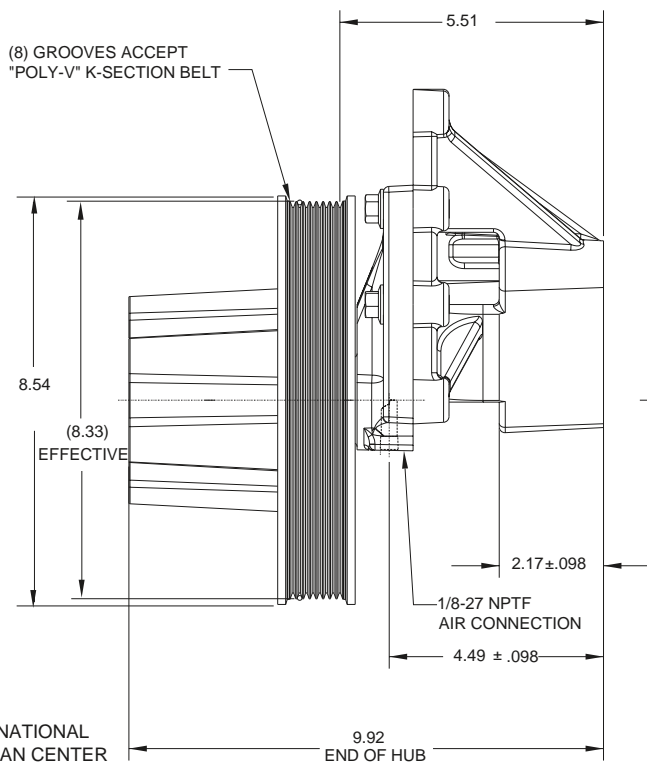
15.00 [381.0] FAN CENTER  
FOR CUMMINS ISM ENGINE

1077-09118-04



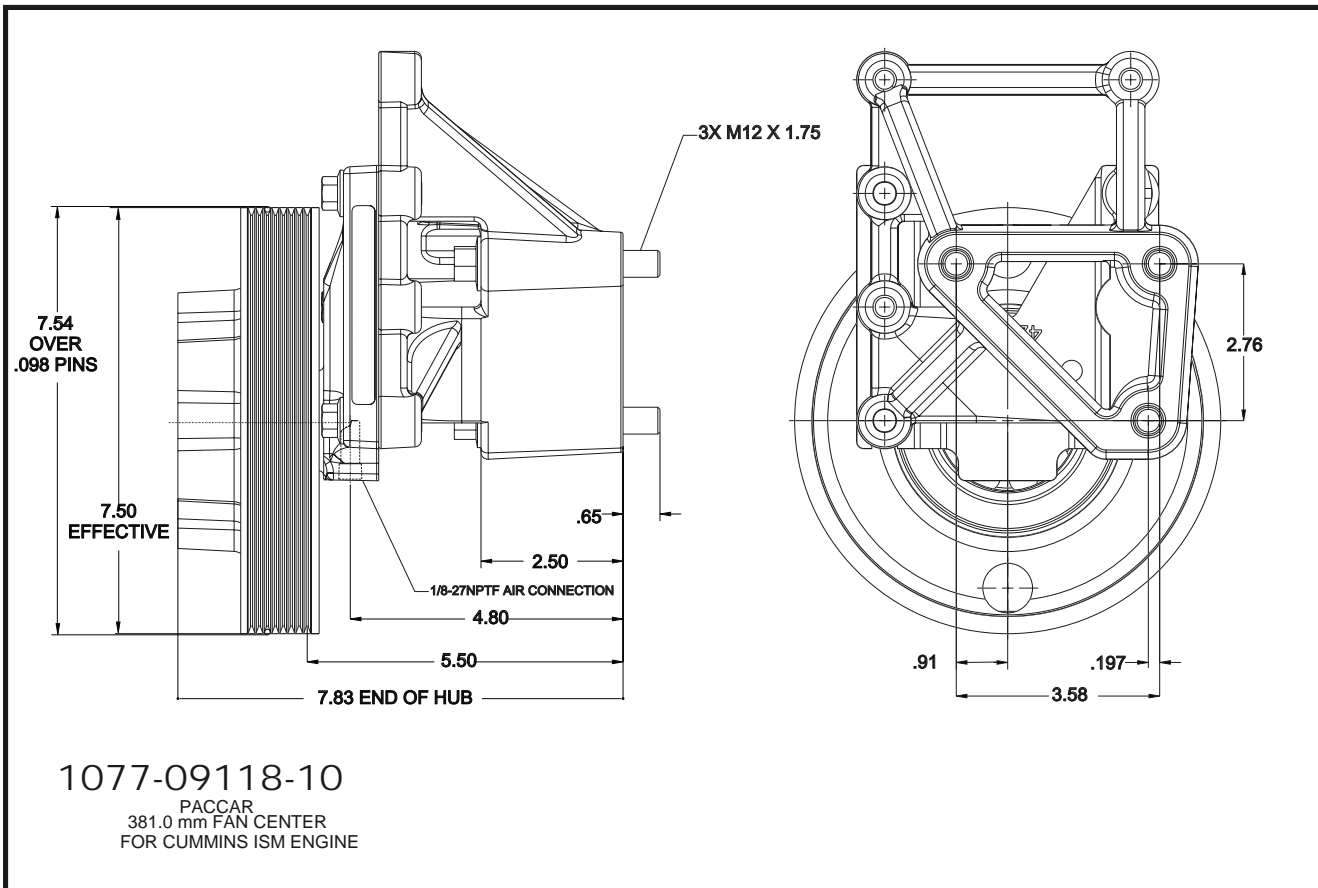
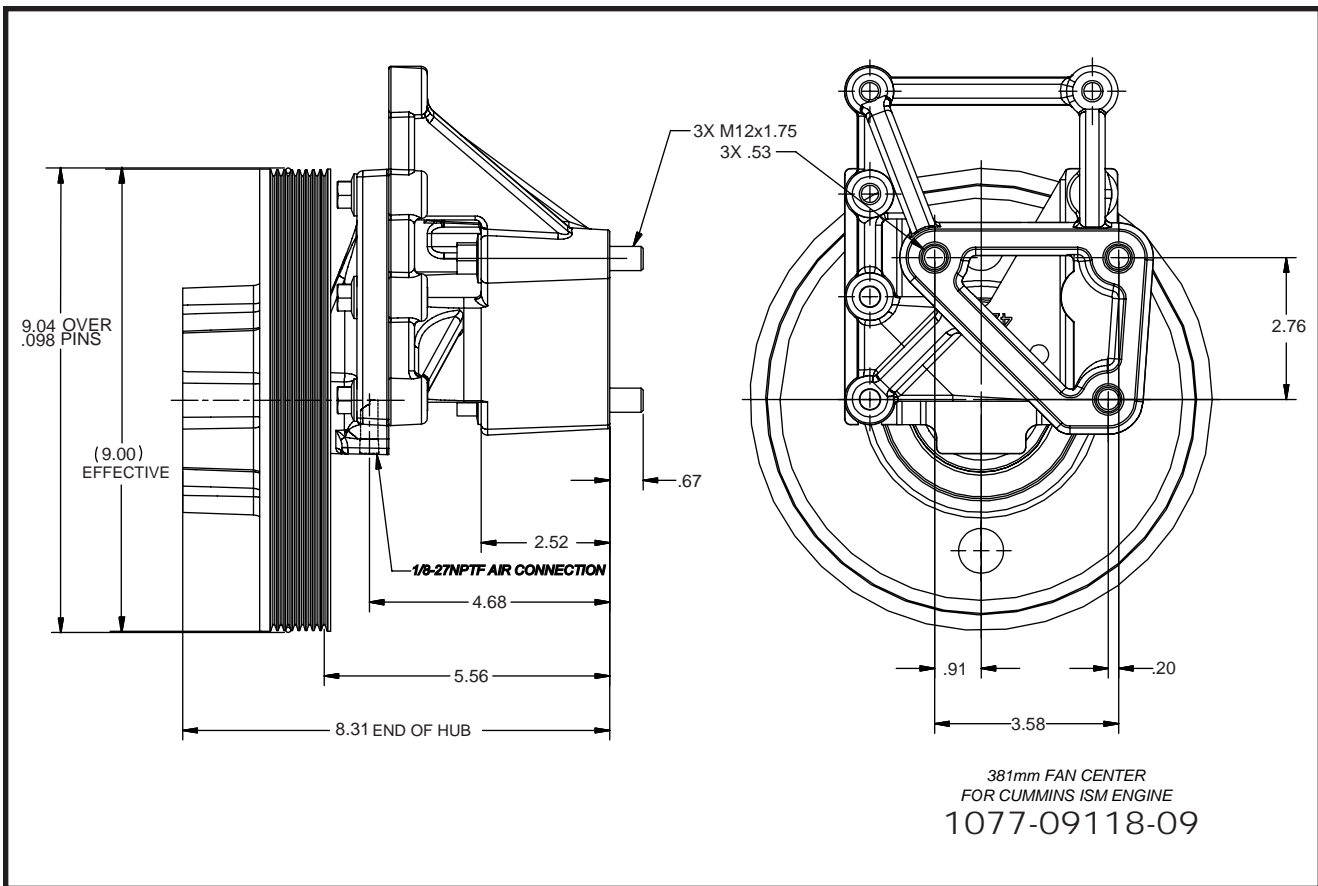
15.00 [381.0] FAN CENTER  
 FOR CUMMINS ISM ENGINE

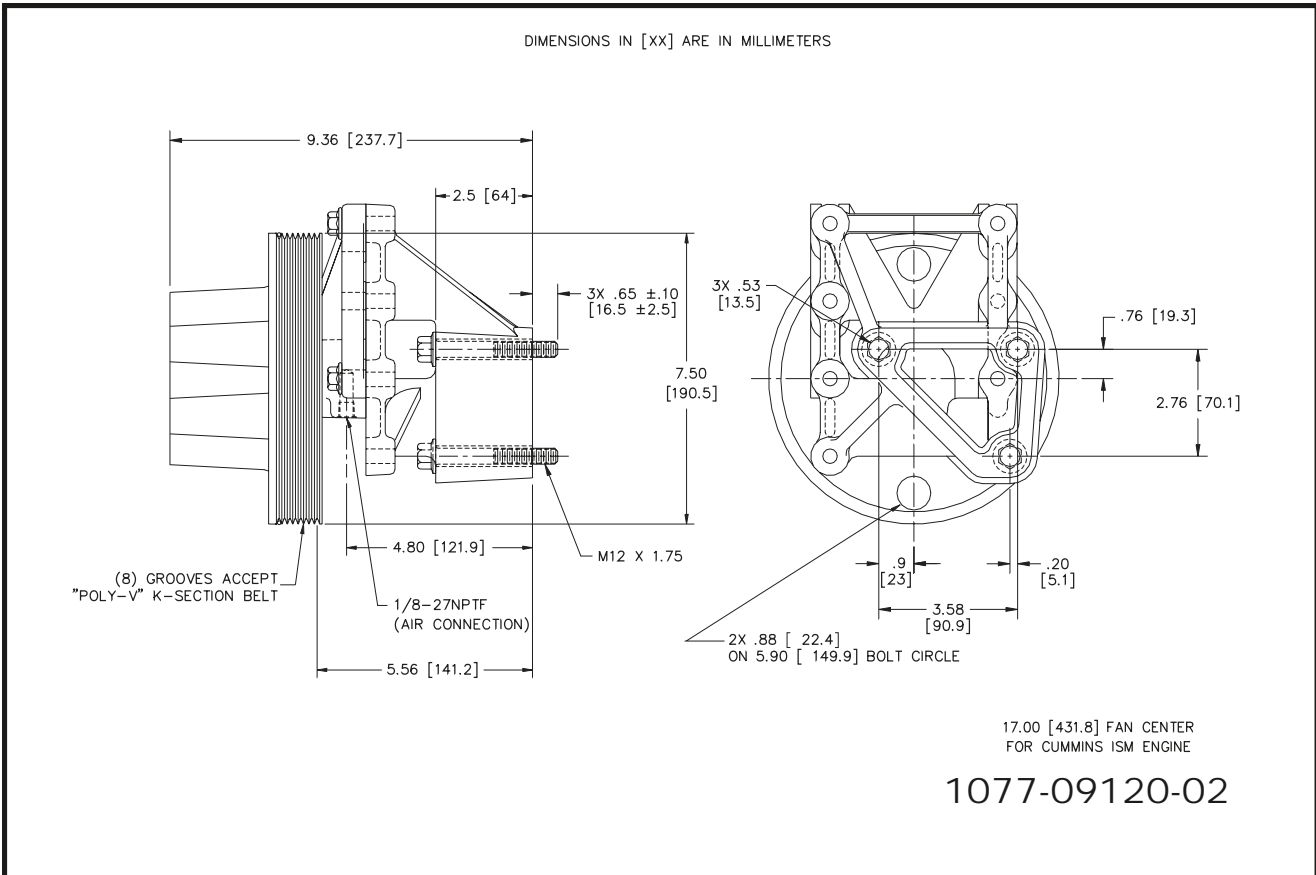
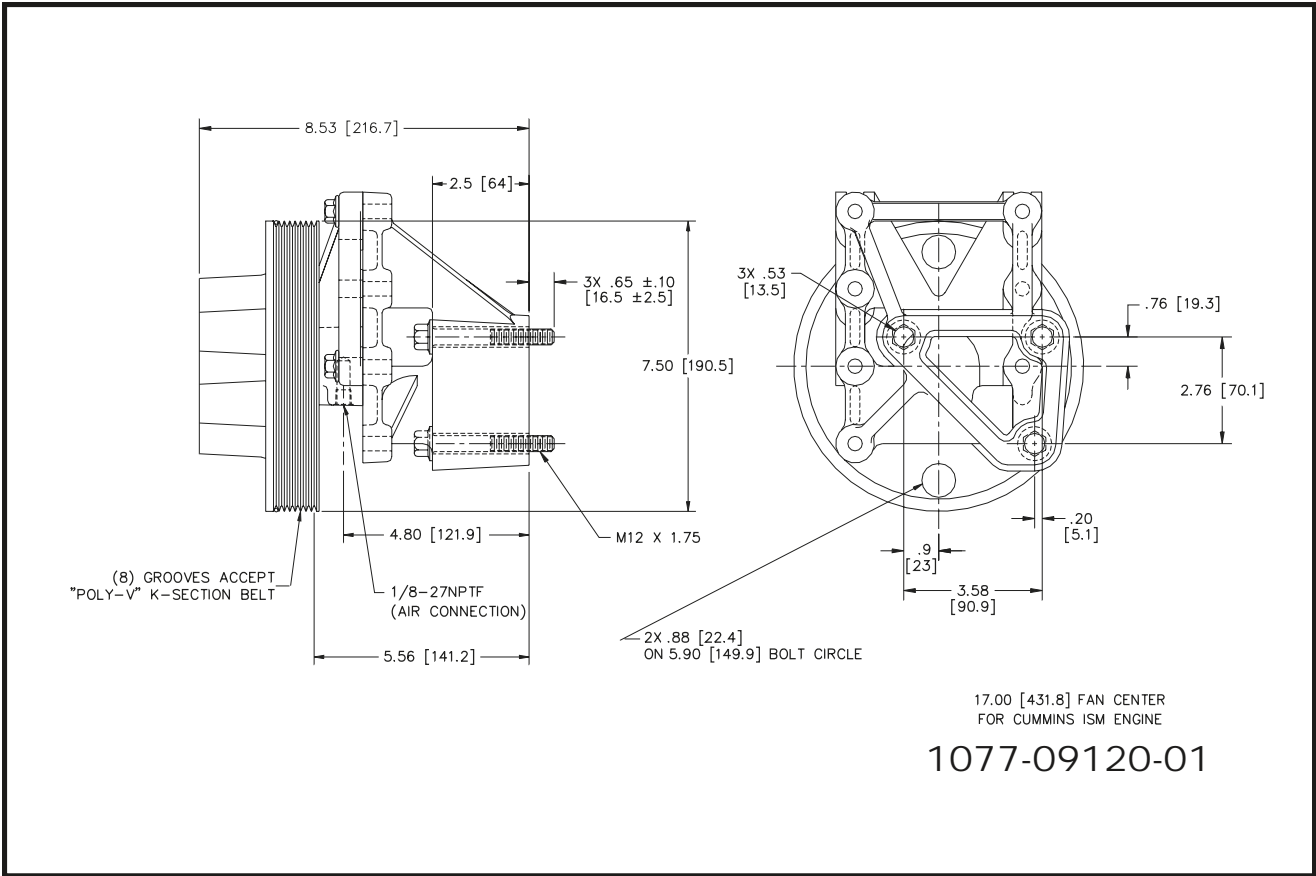
1077-09118-05

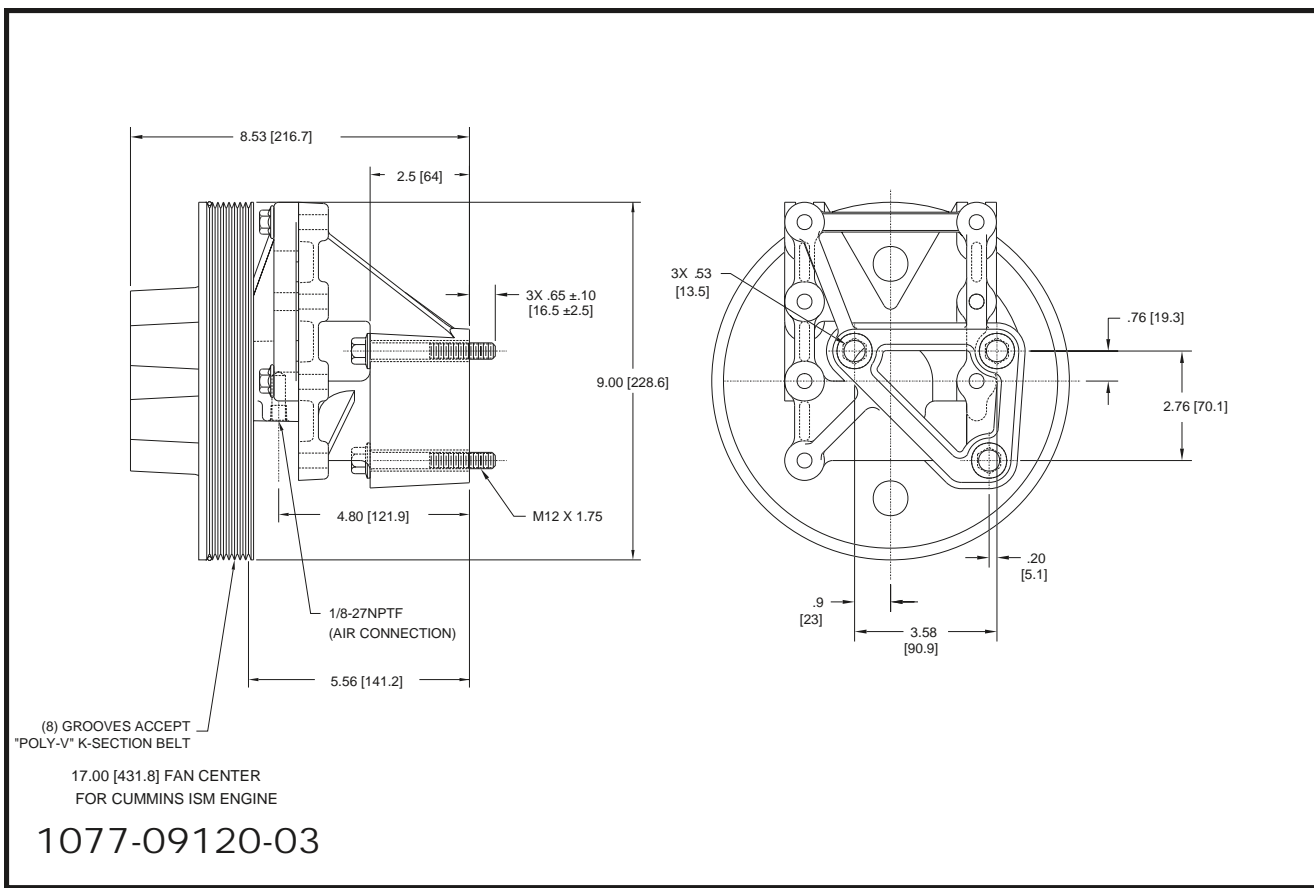


INTERNATIONAL  
 381mm FAN CENTER  
 FOR CUMMINS ISM ENGINE

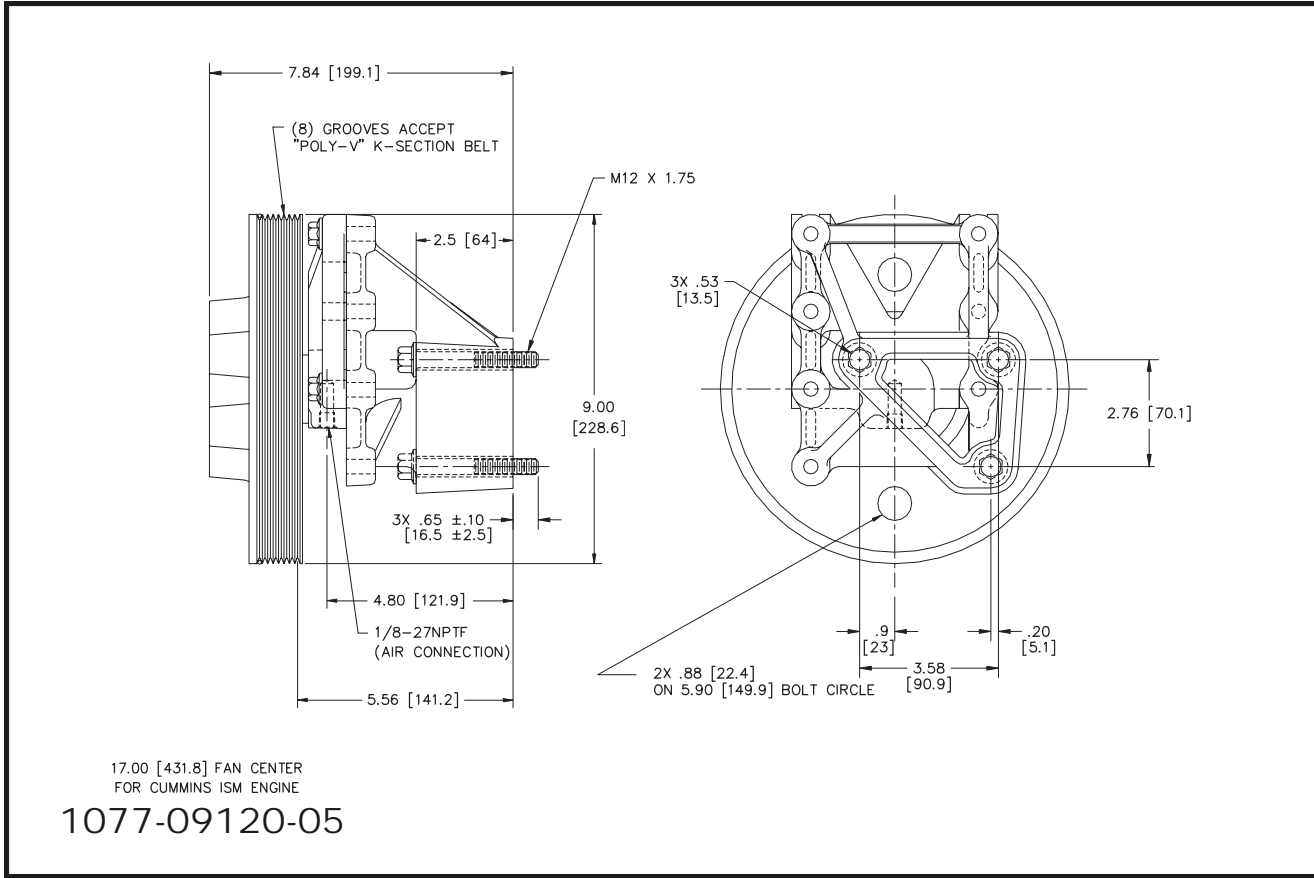
1077-09118-08



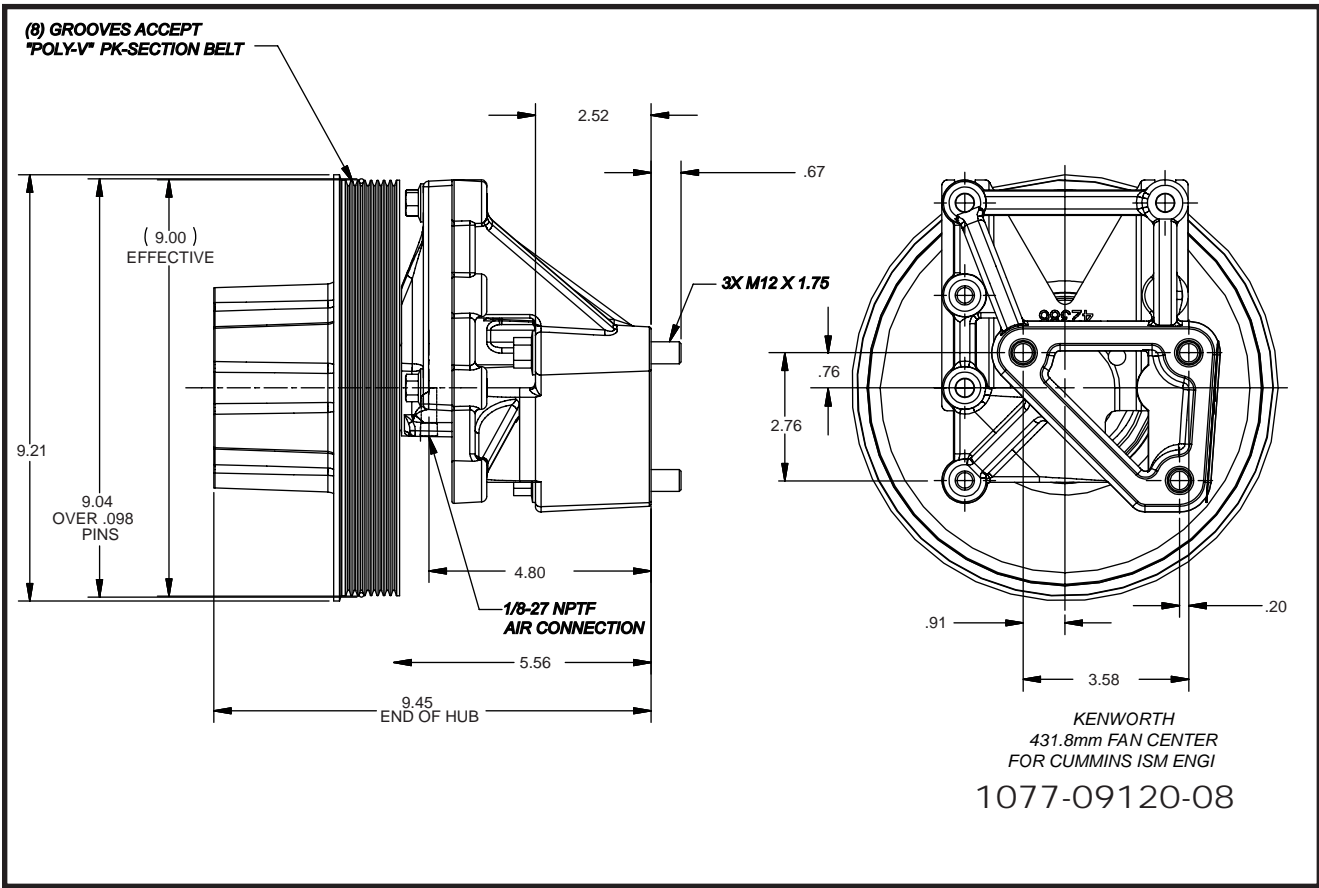
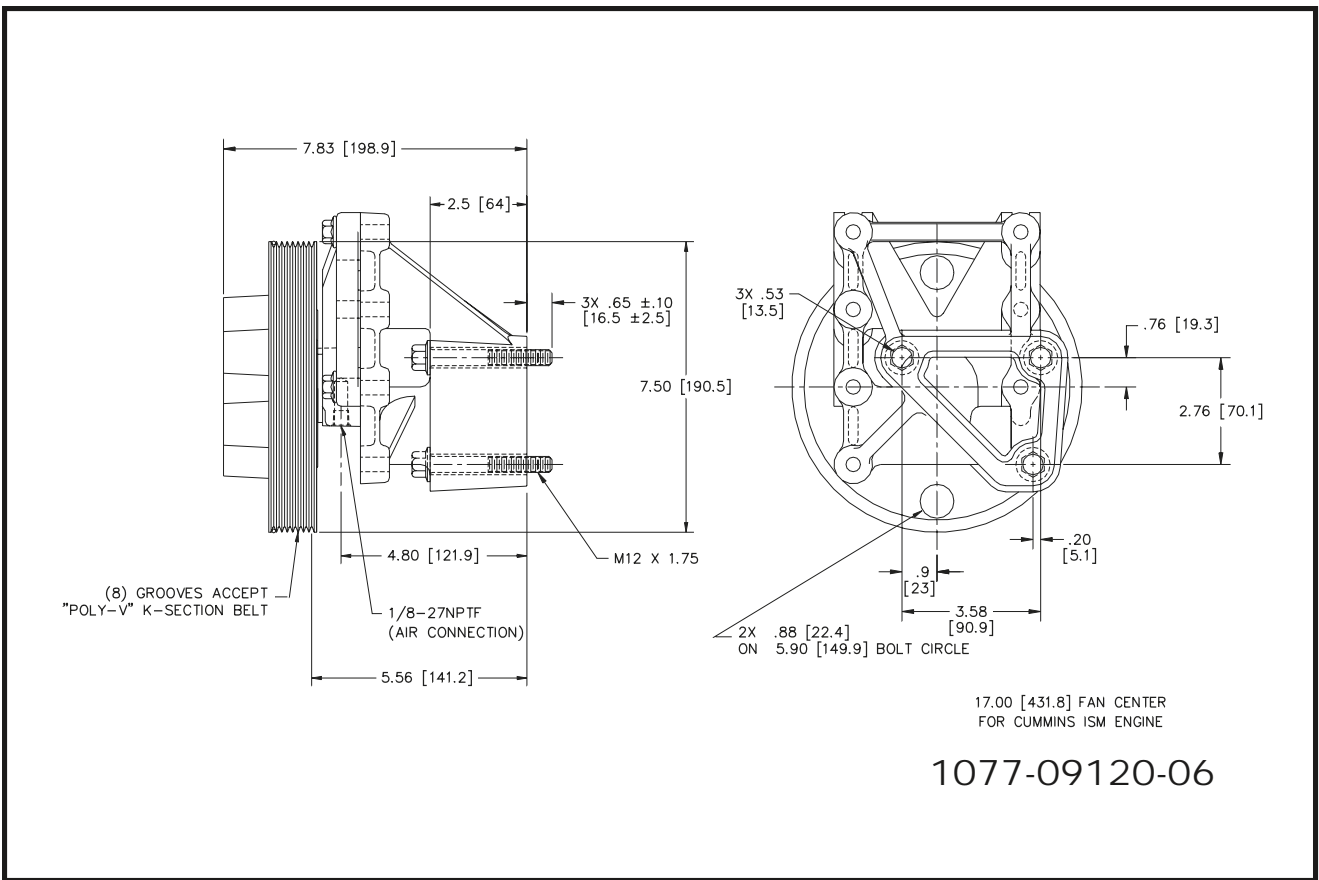


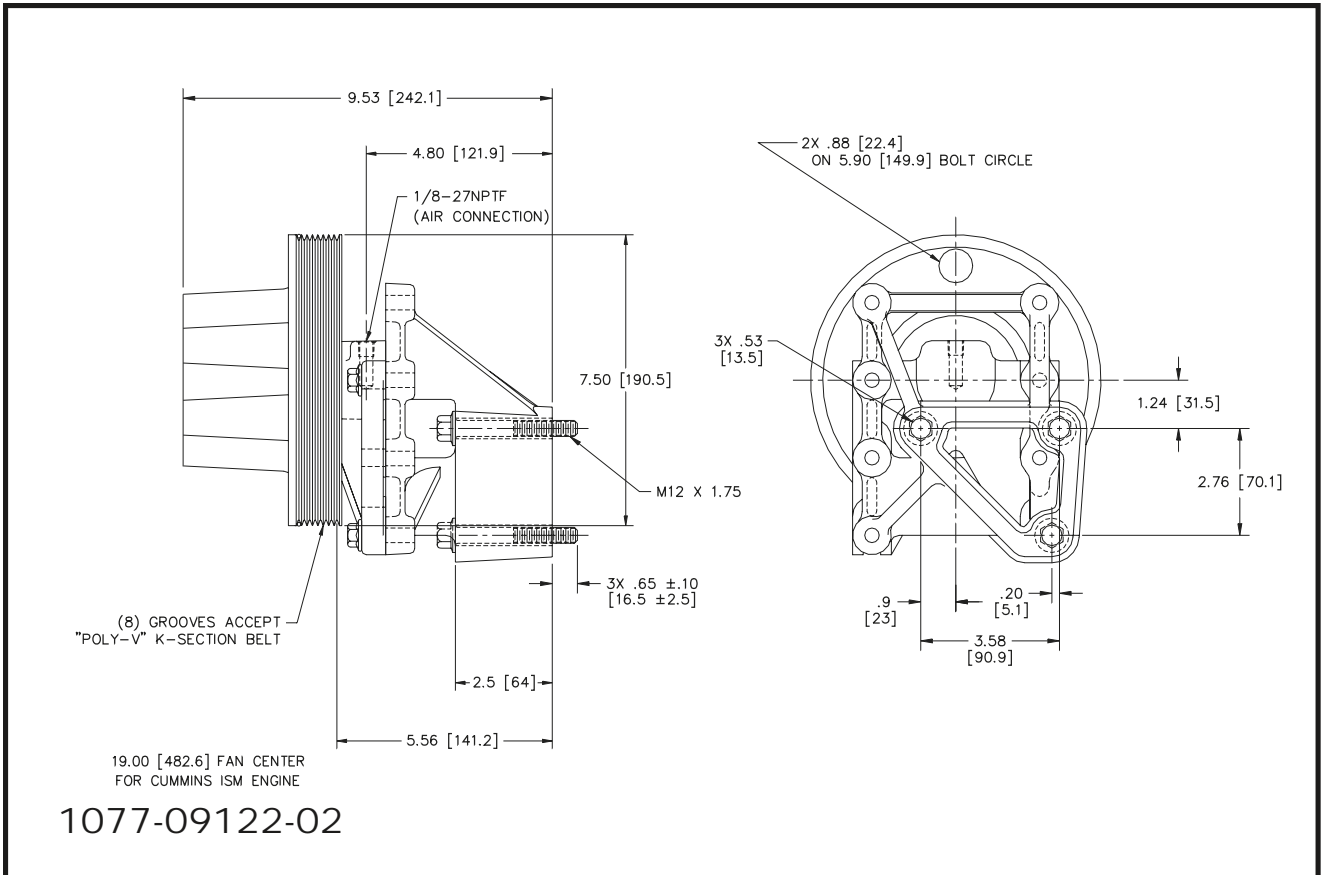
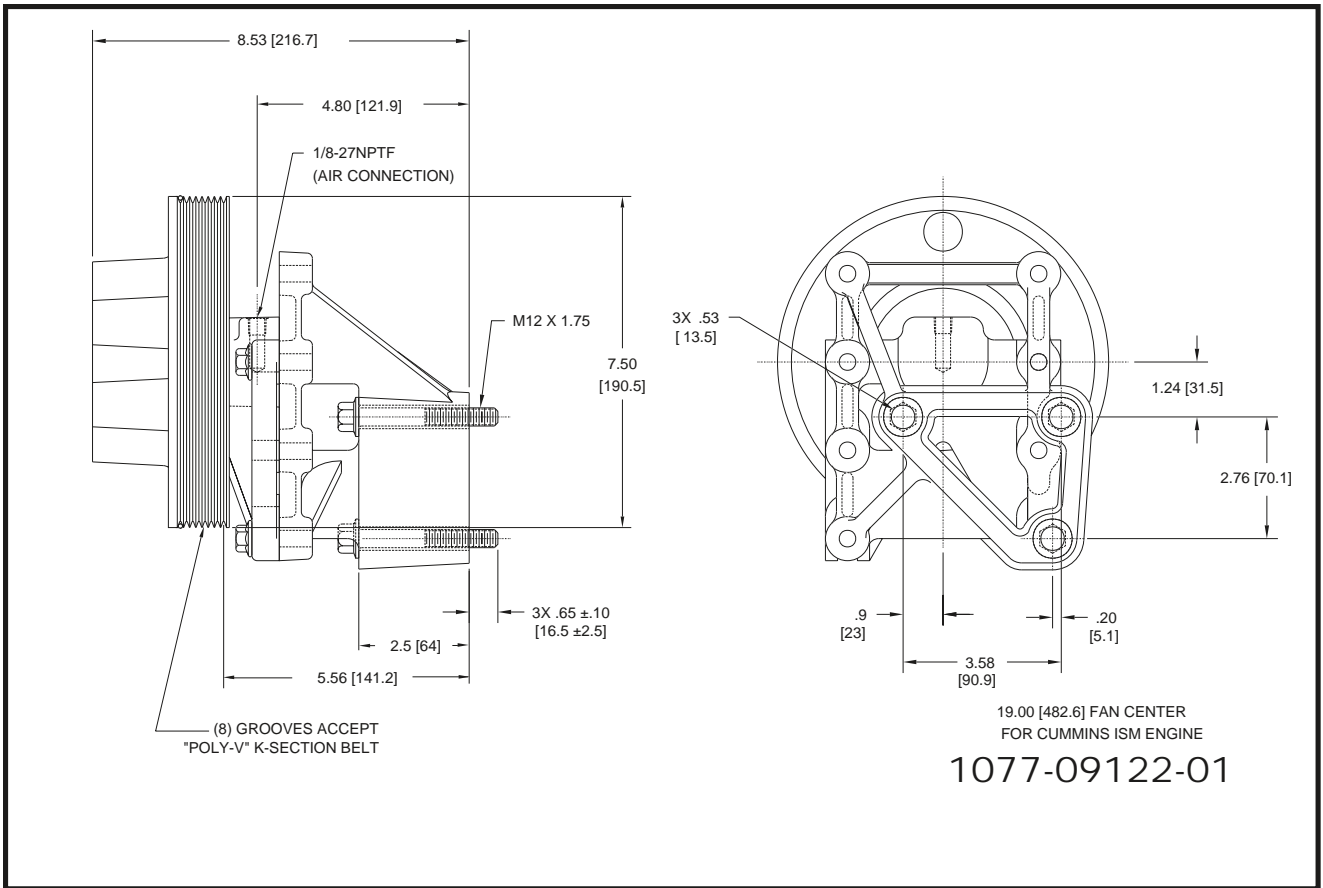


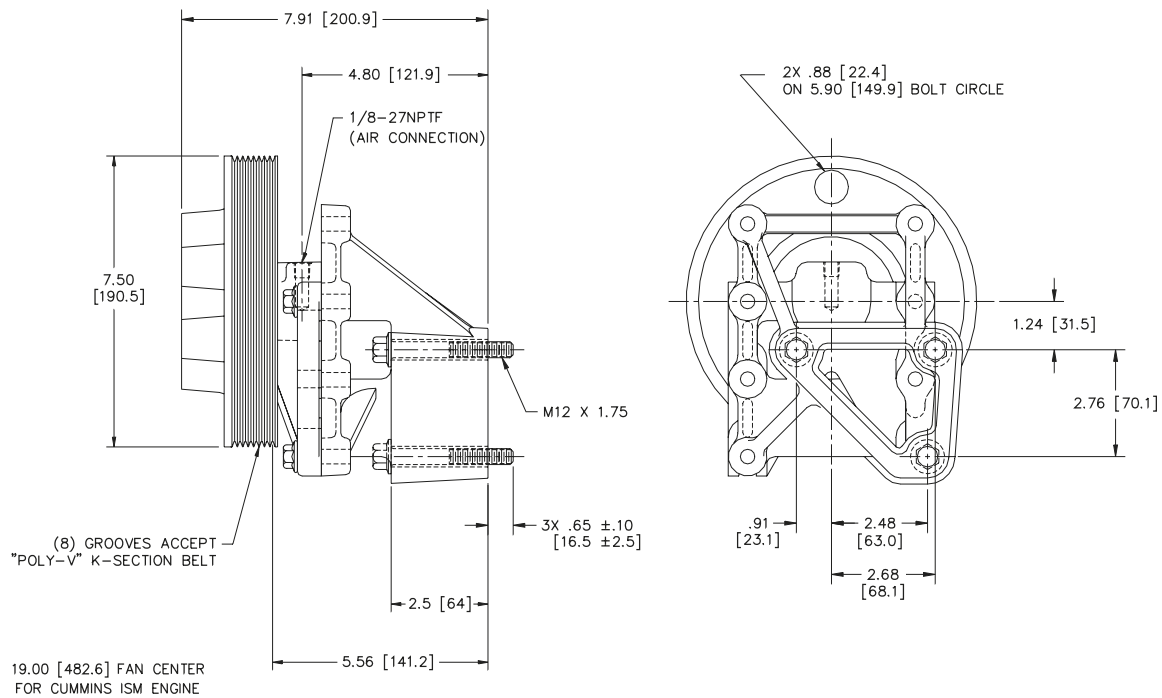
1077-09120-04 outline not available



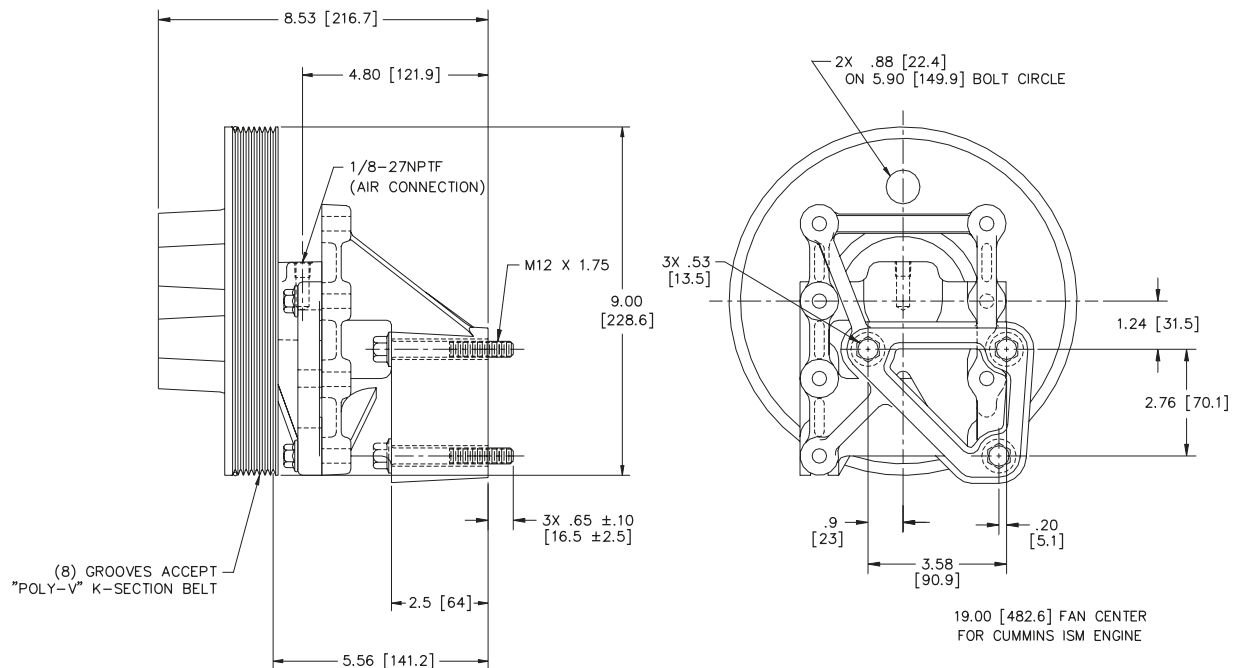




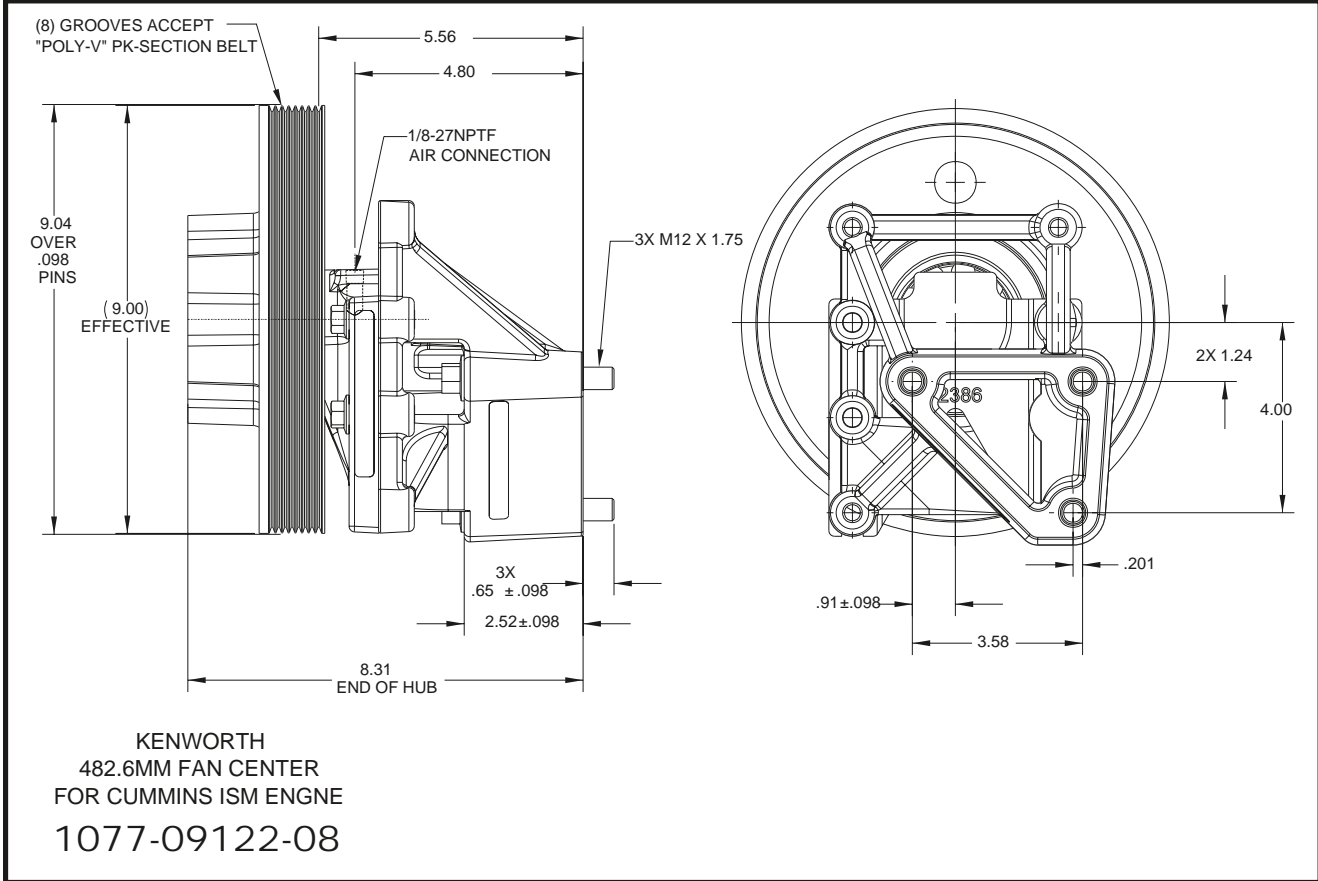
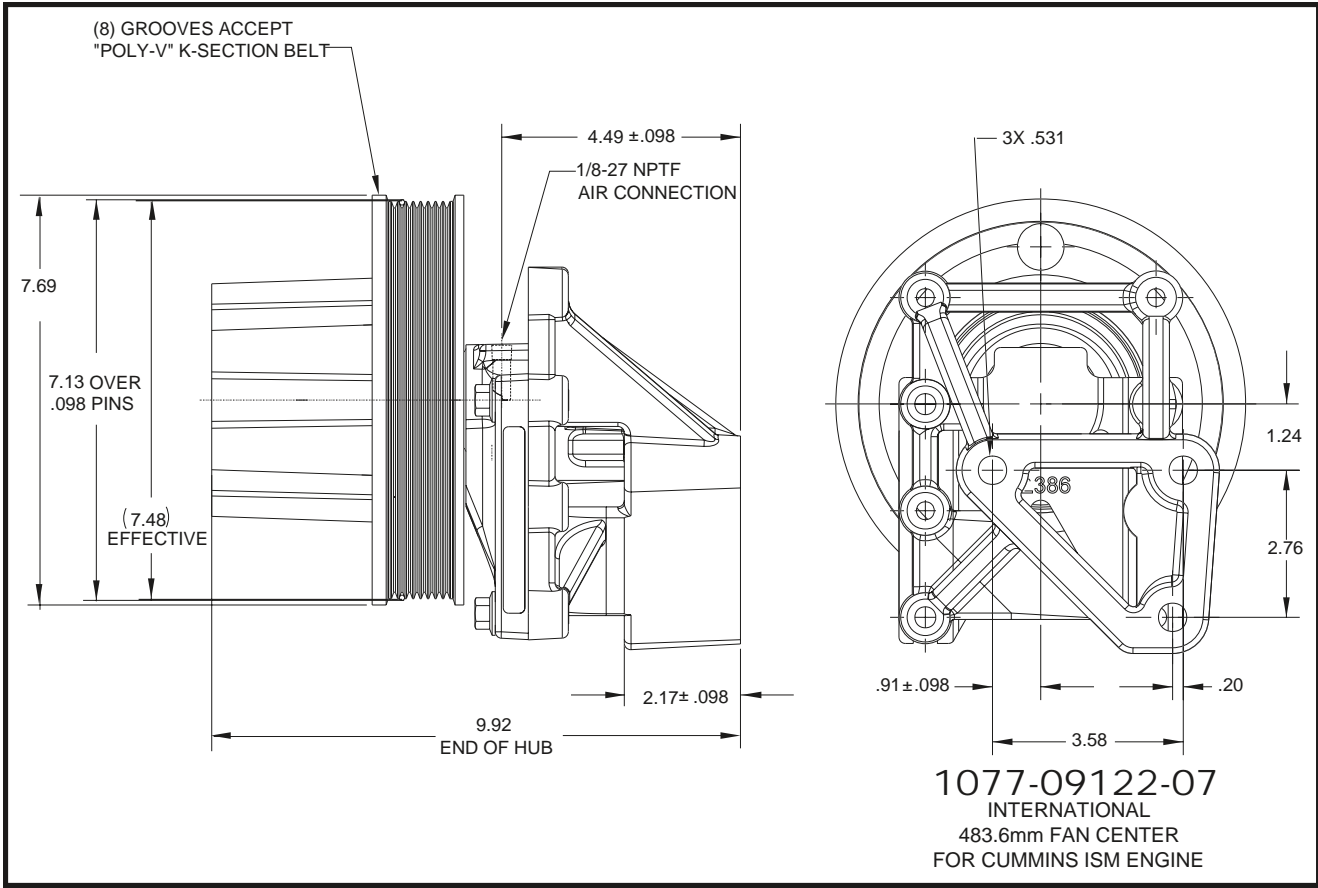




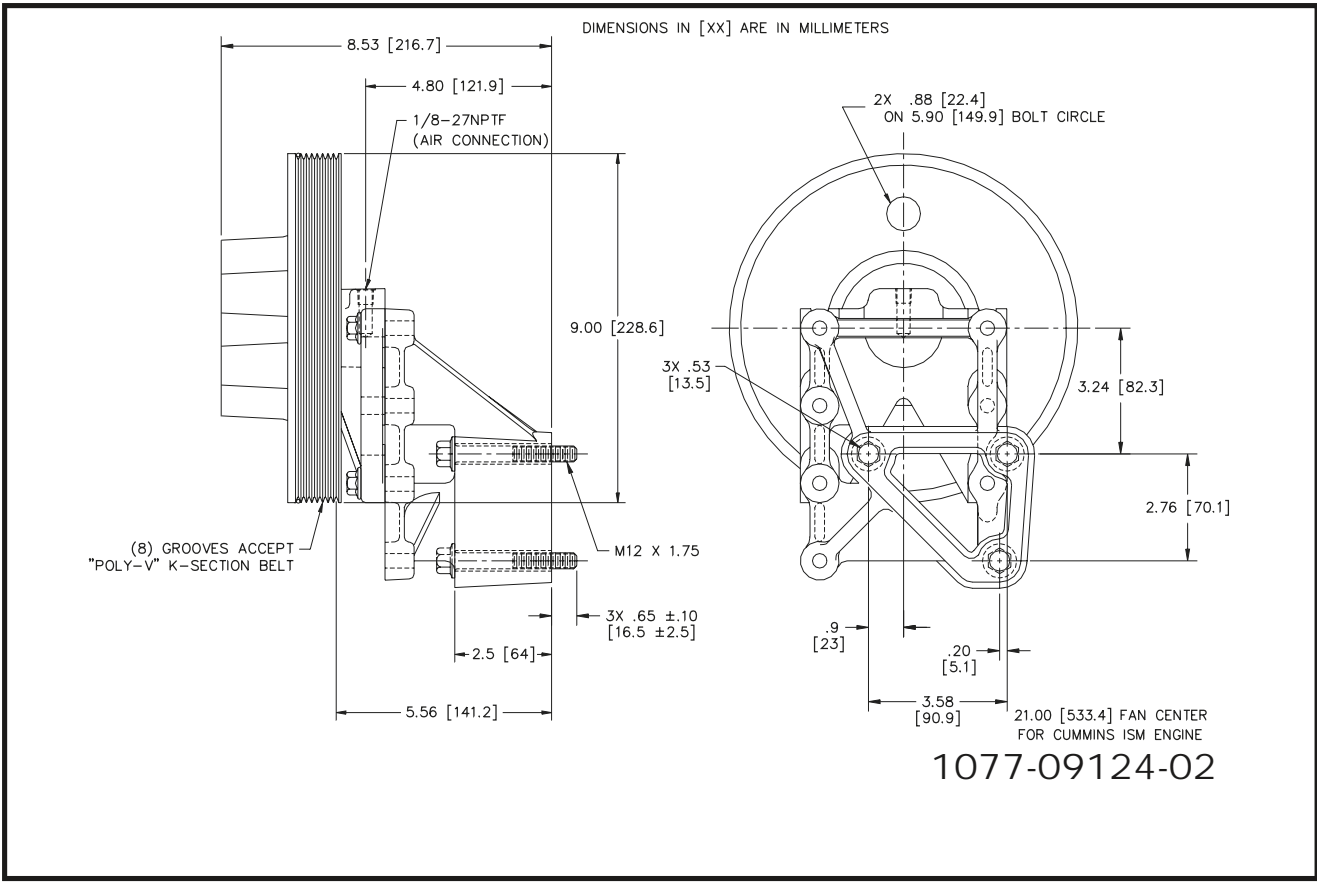
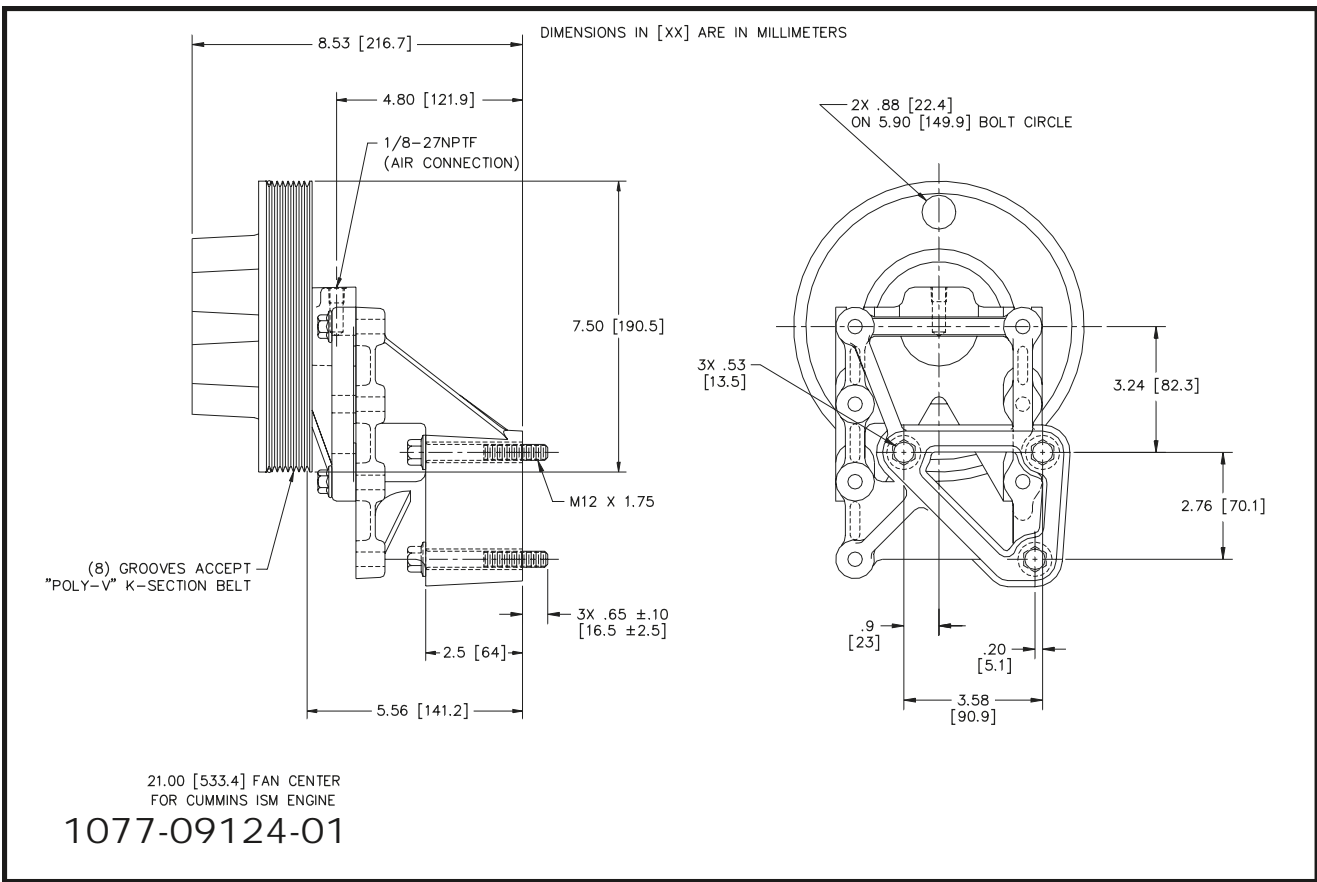
1077-09122-03



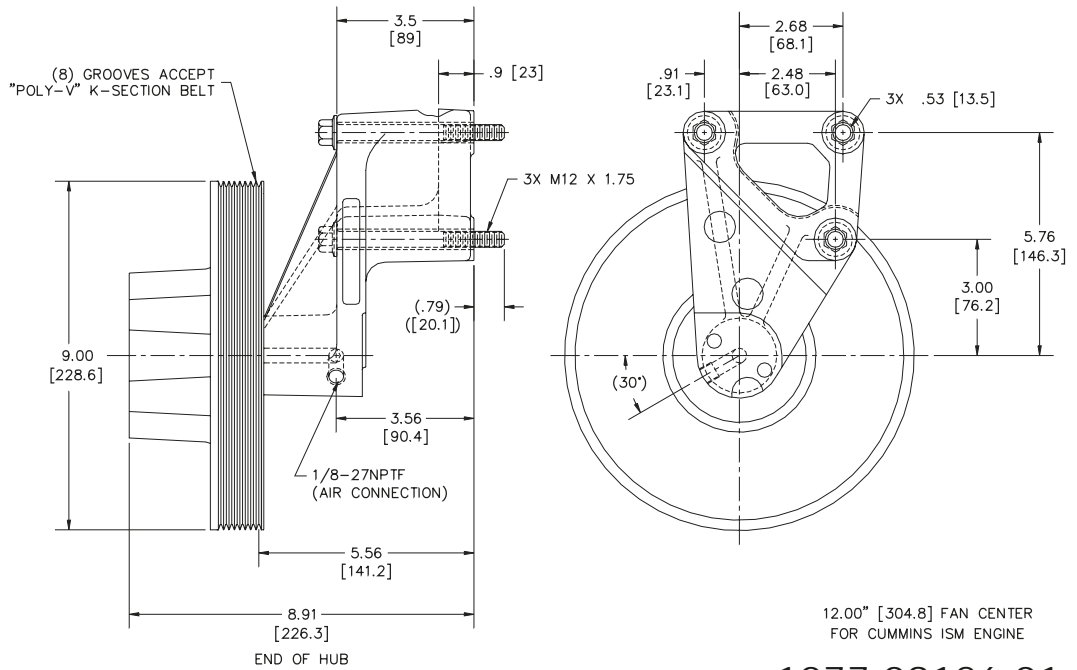
1077-09122-04



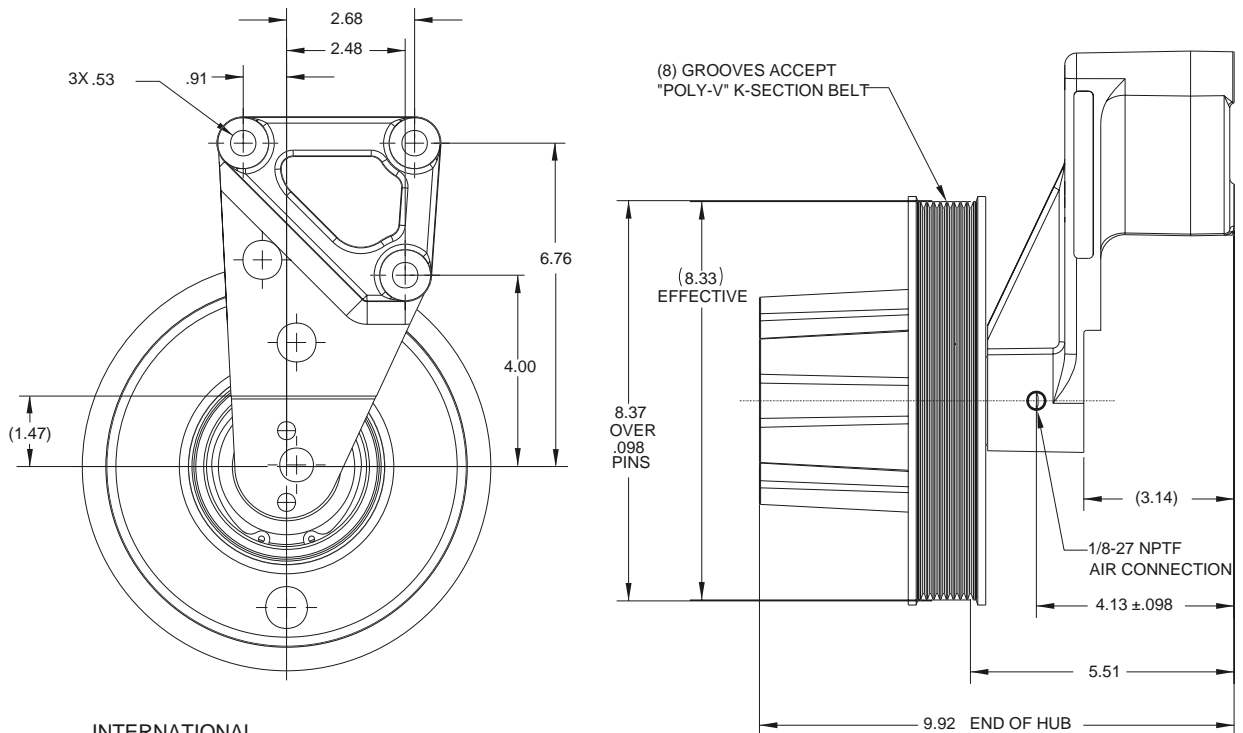
OUTLINE DRAWINGS



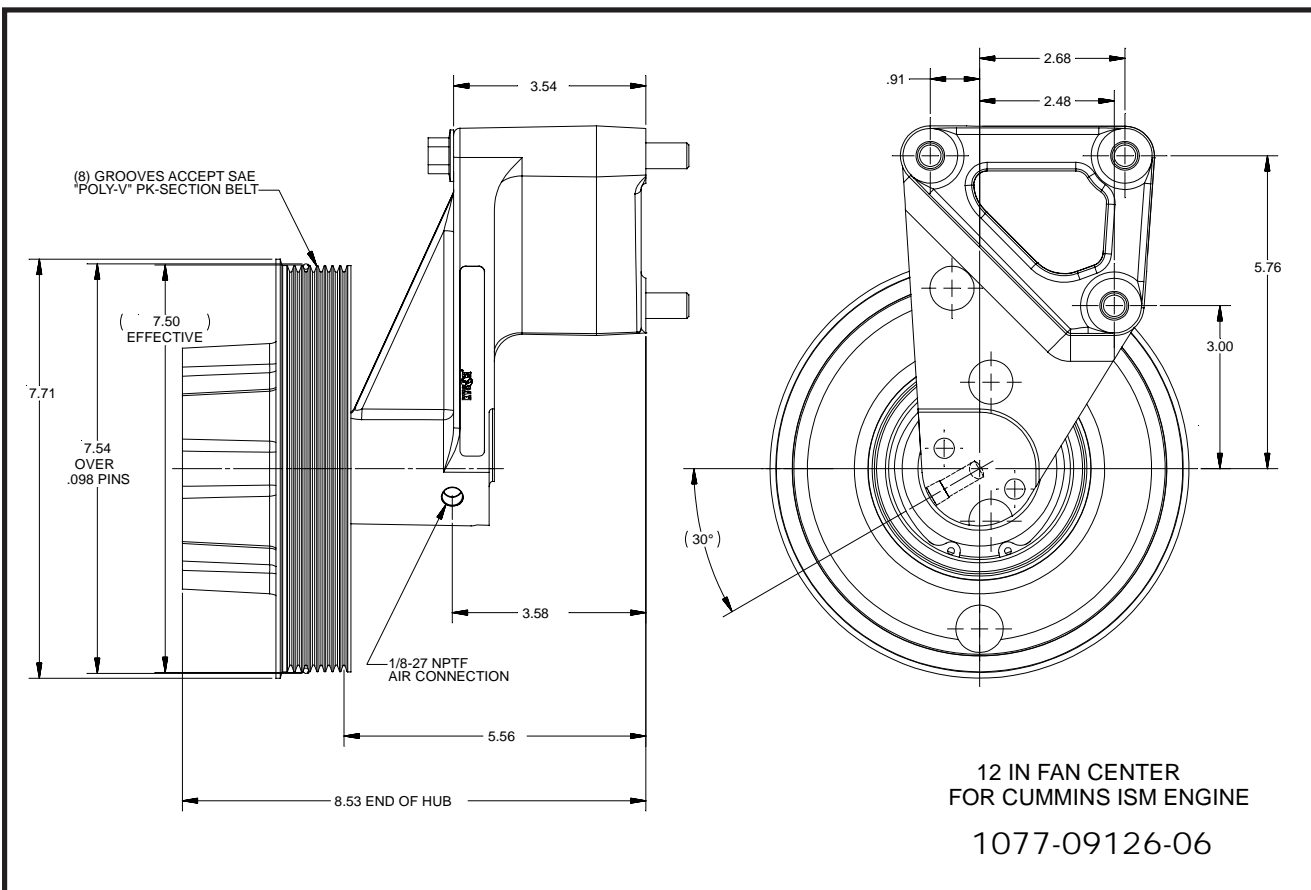
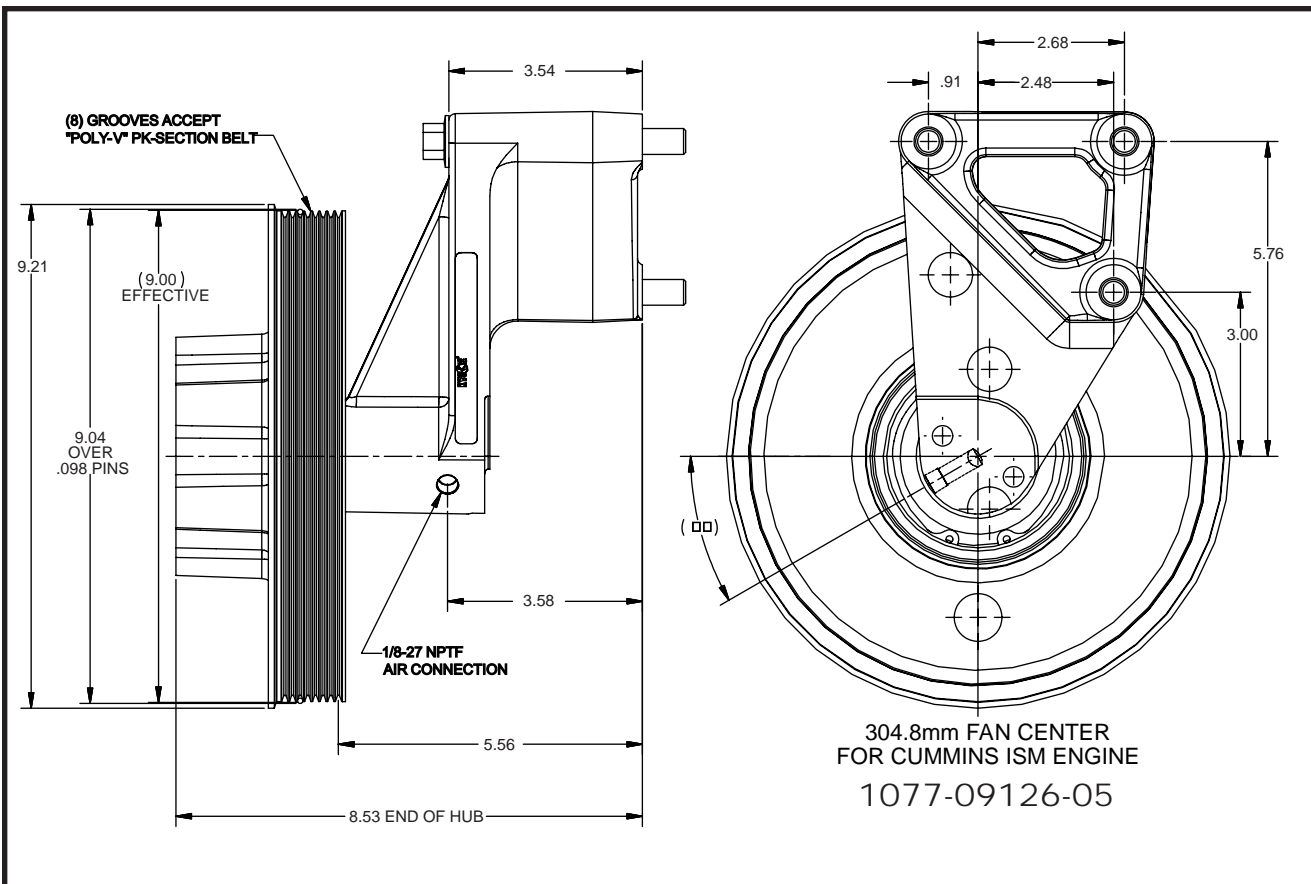
DIMENSIONS IN [XX] ARE IN MILLIMETERS

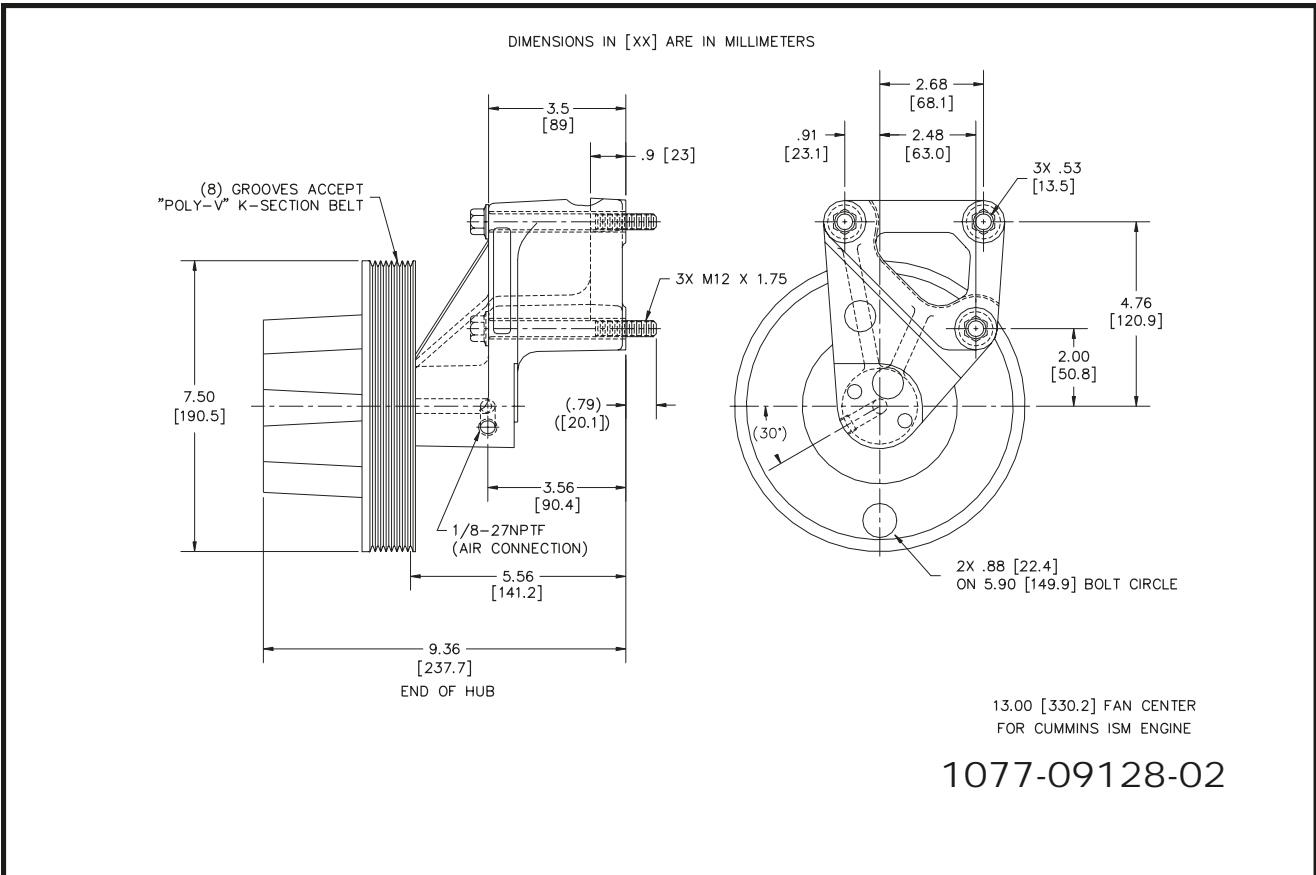
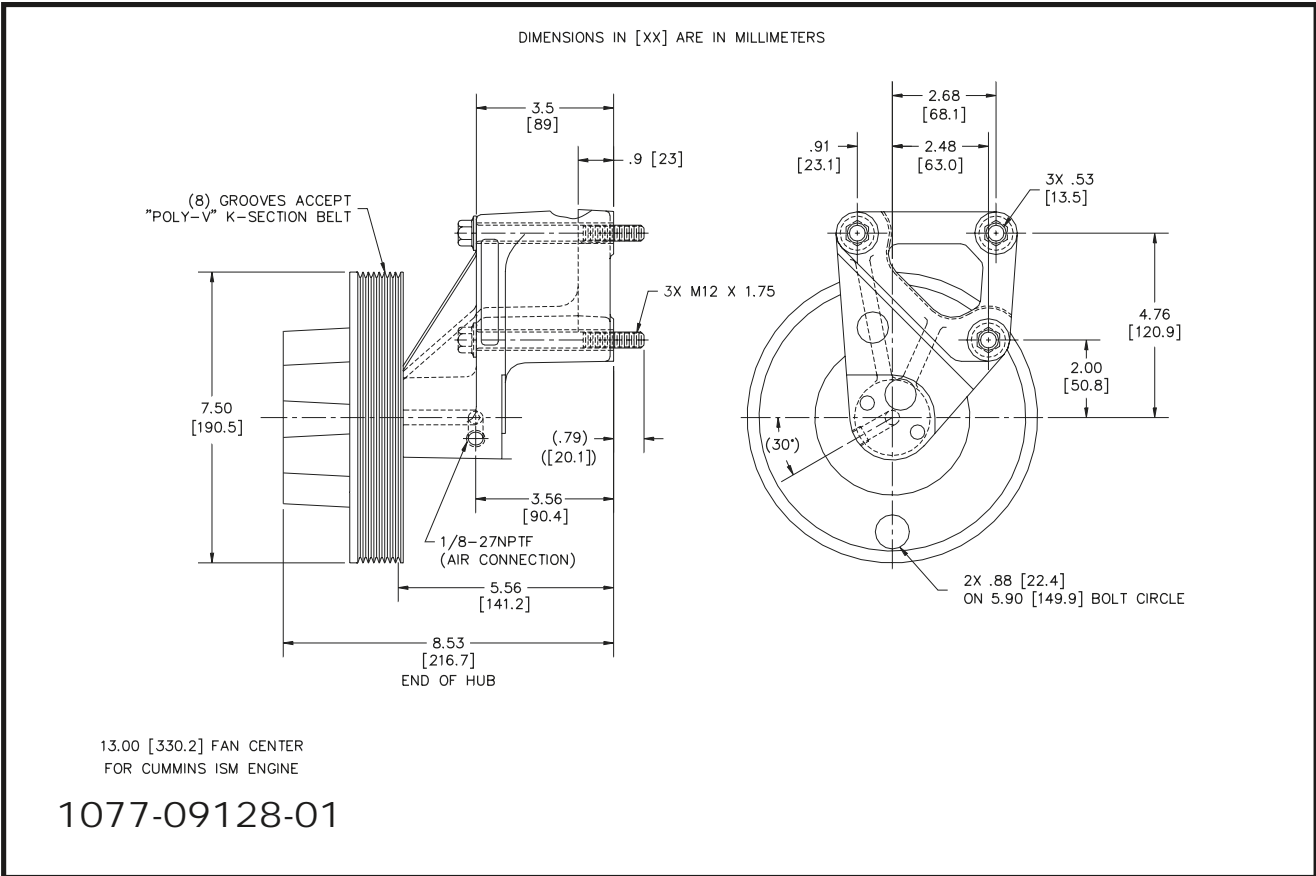


1077-09126-01

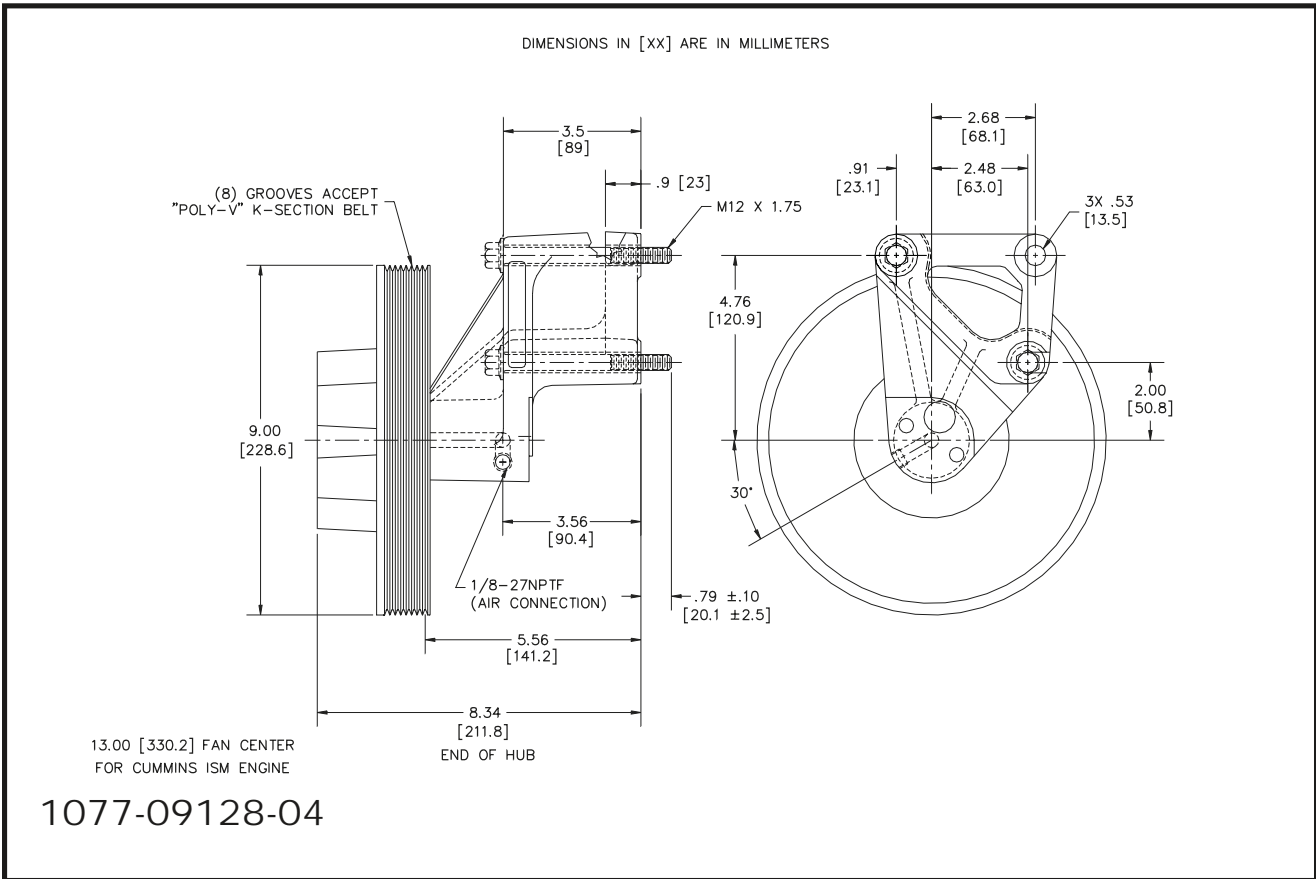
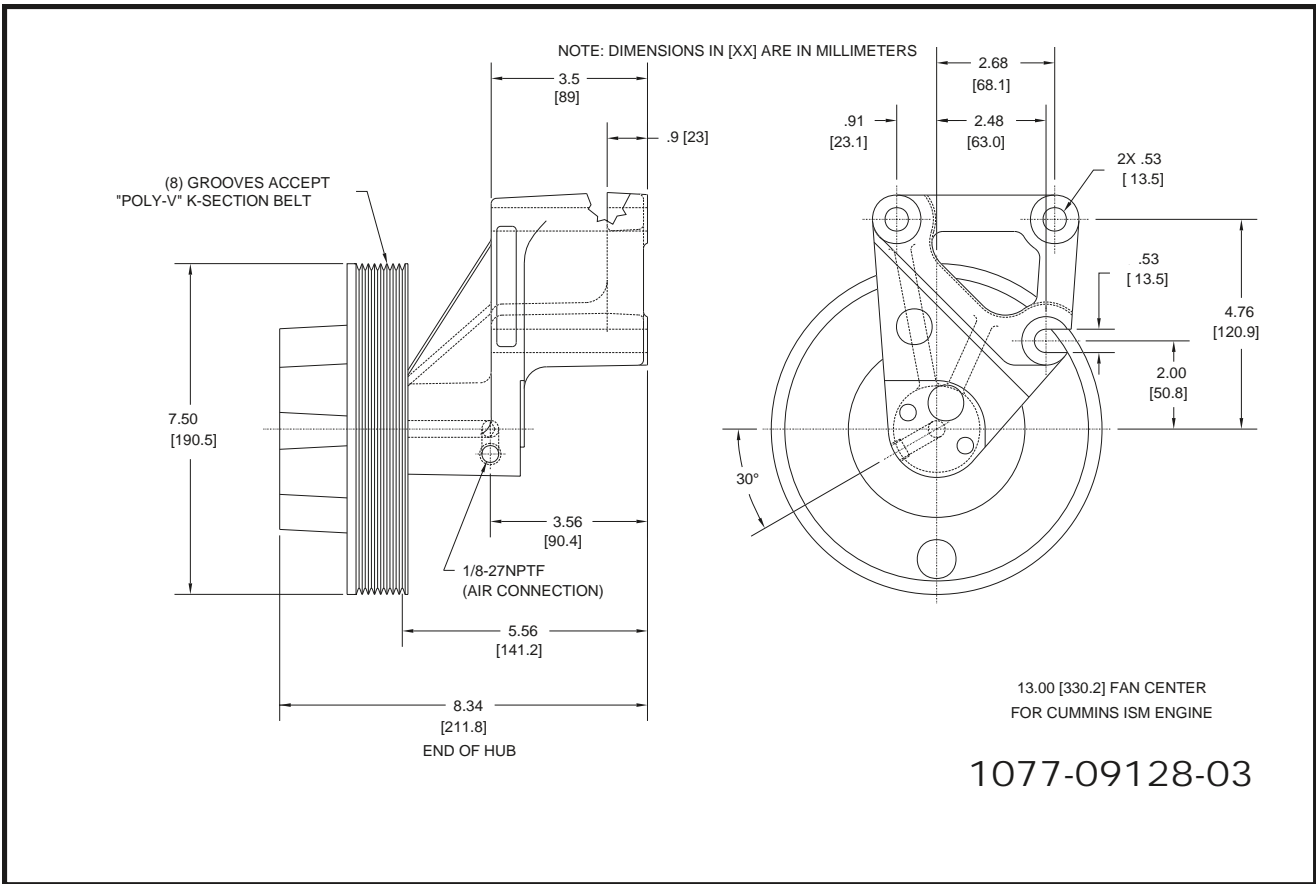


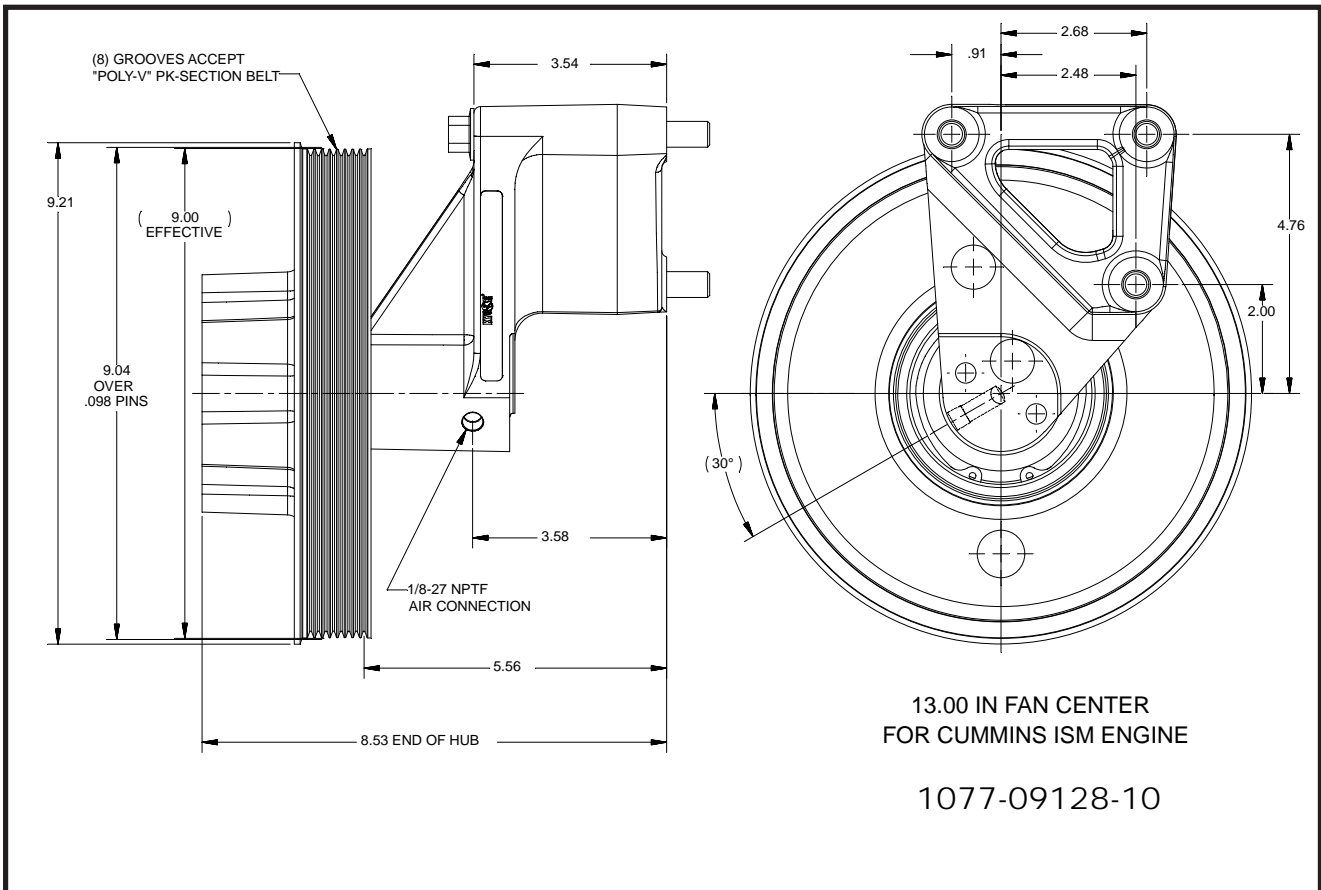
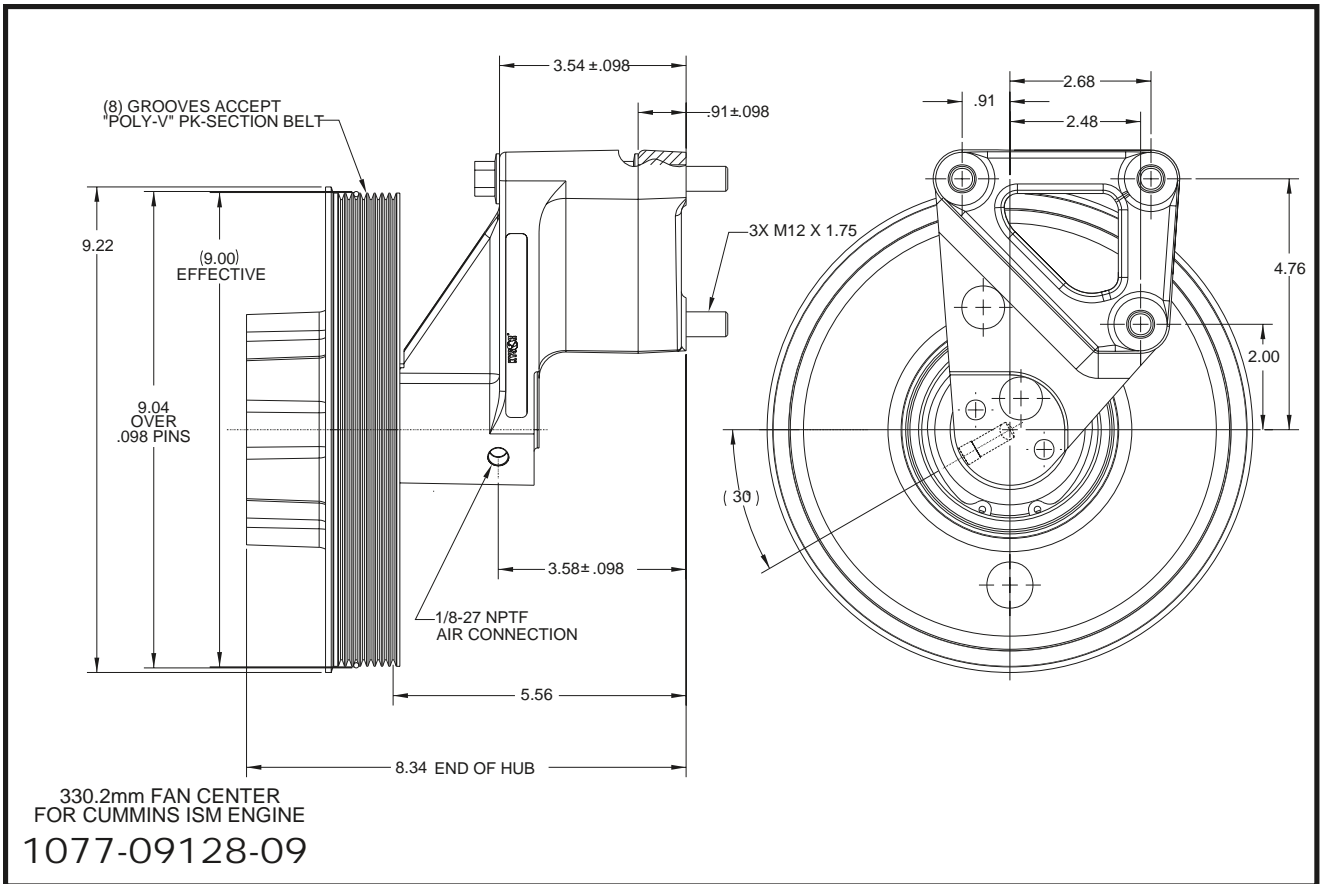
INTERNATIONAL  
279.4mm FAN CENTER  
FOR CUMMINS ISM ENGINE  
1077-09126-04

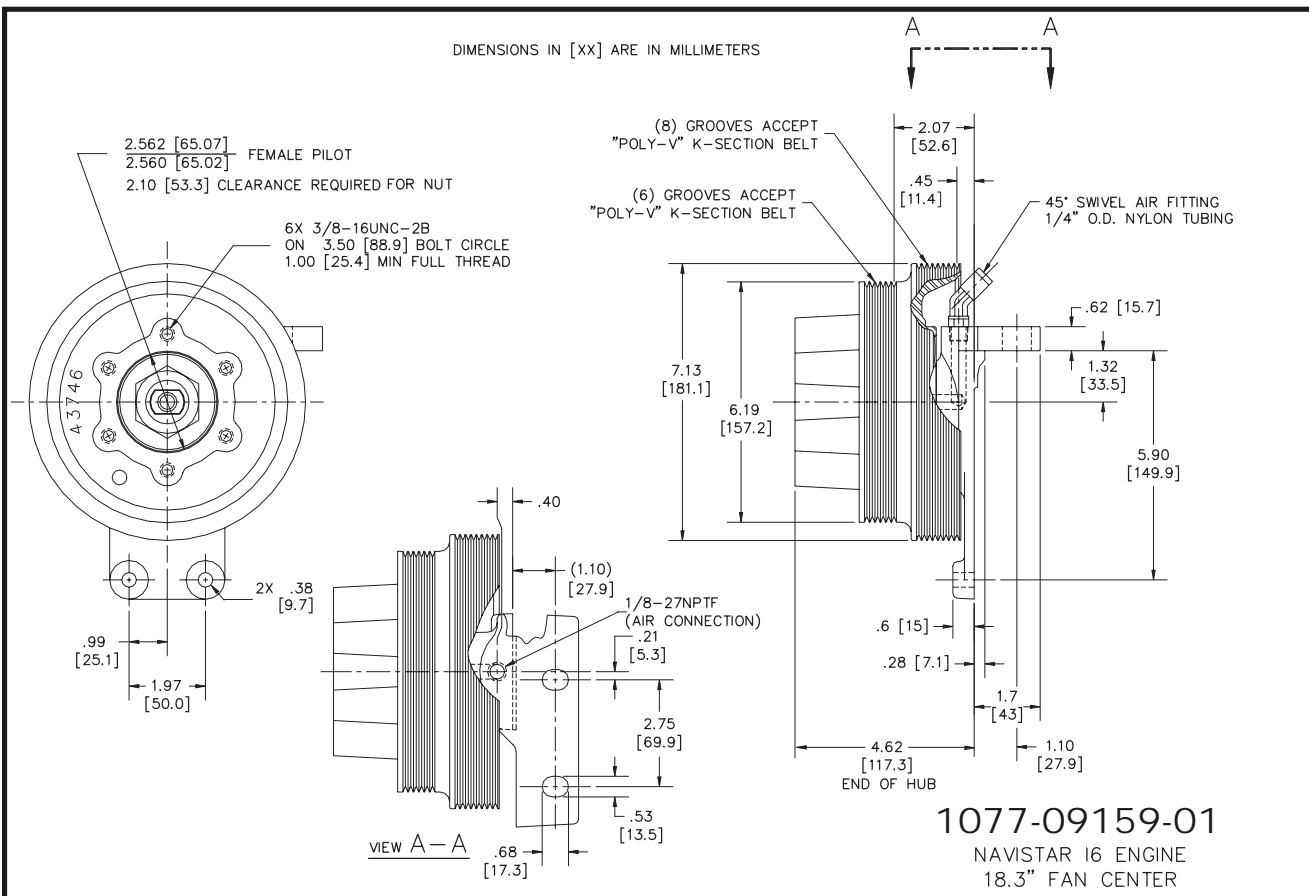
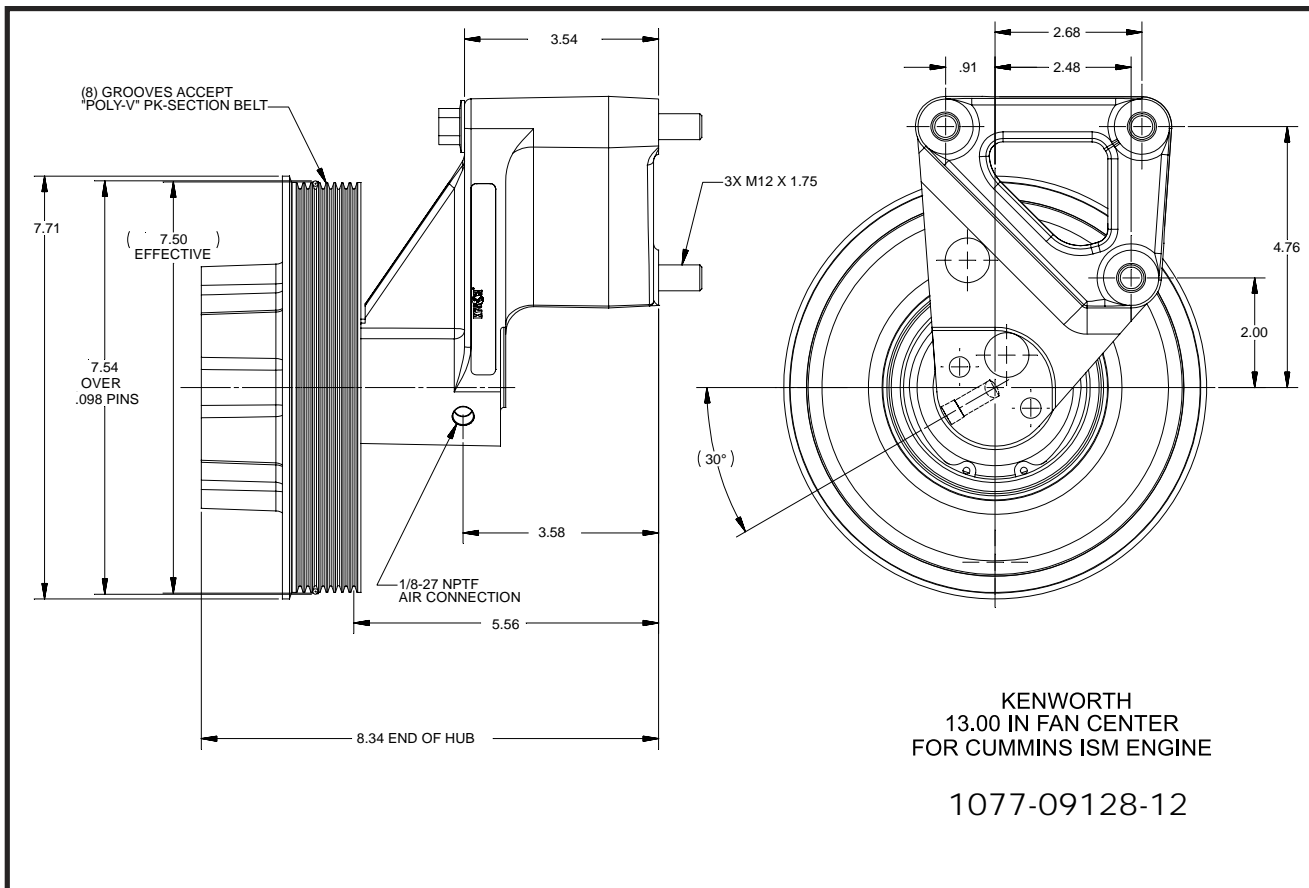


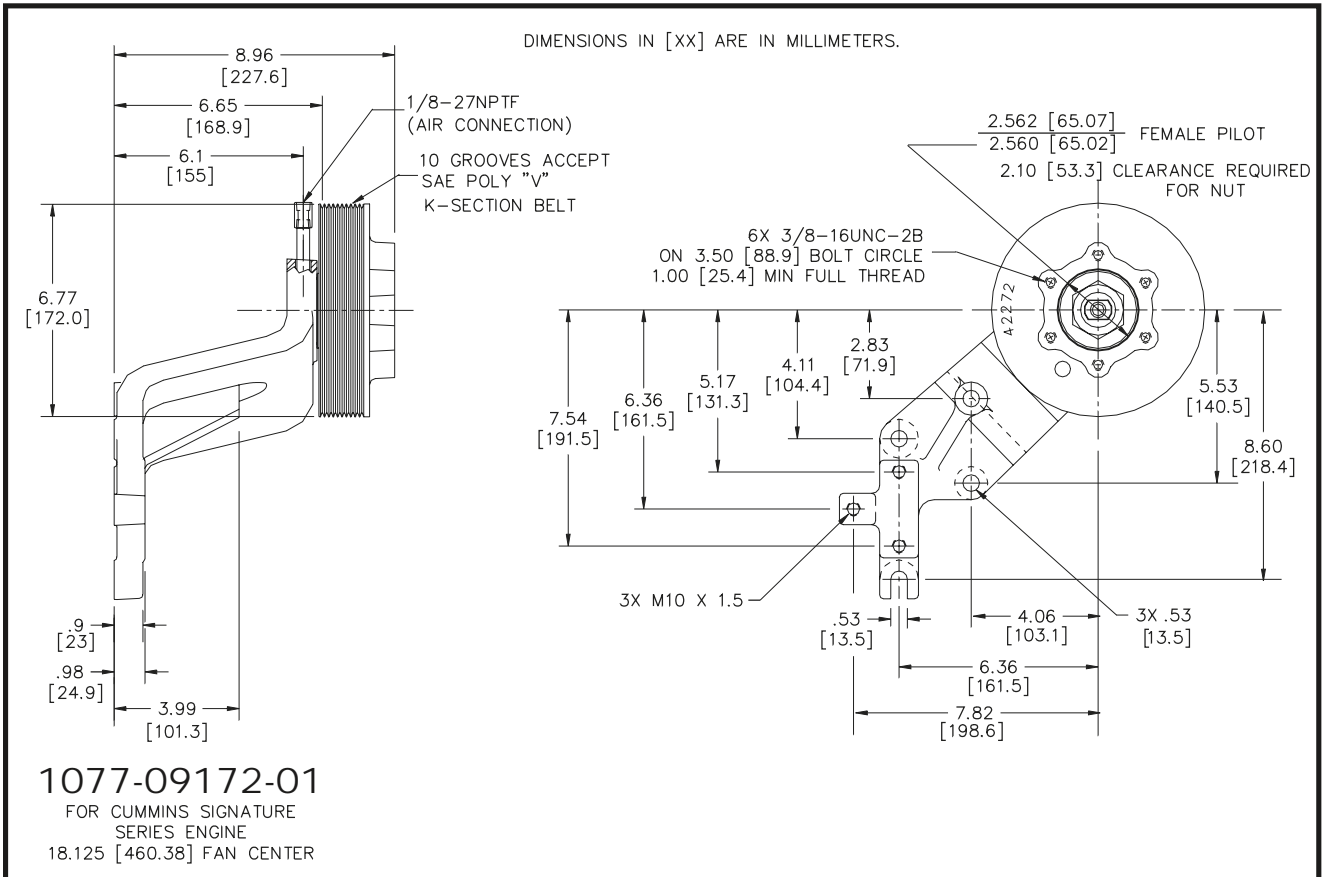
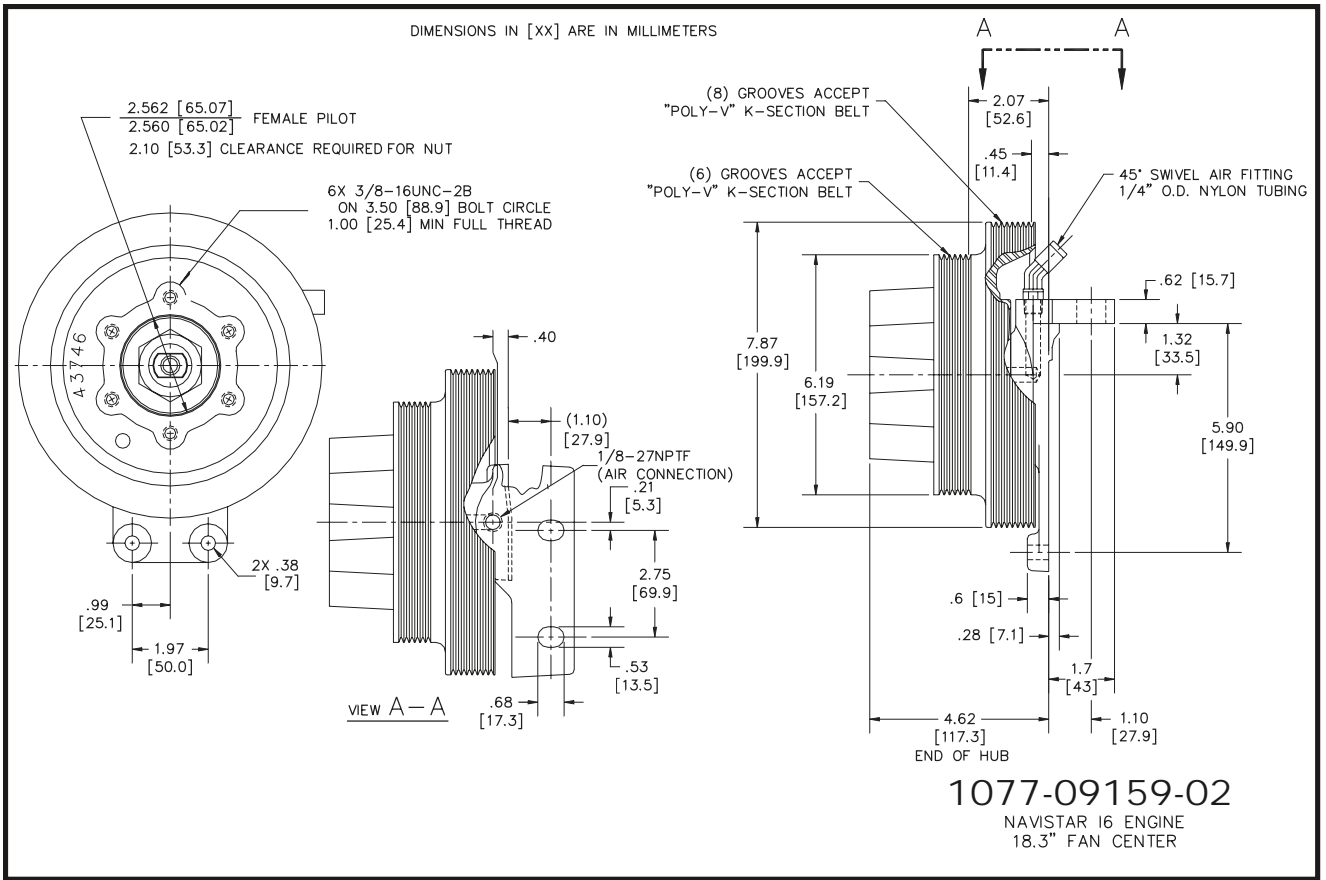


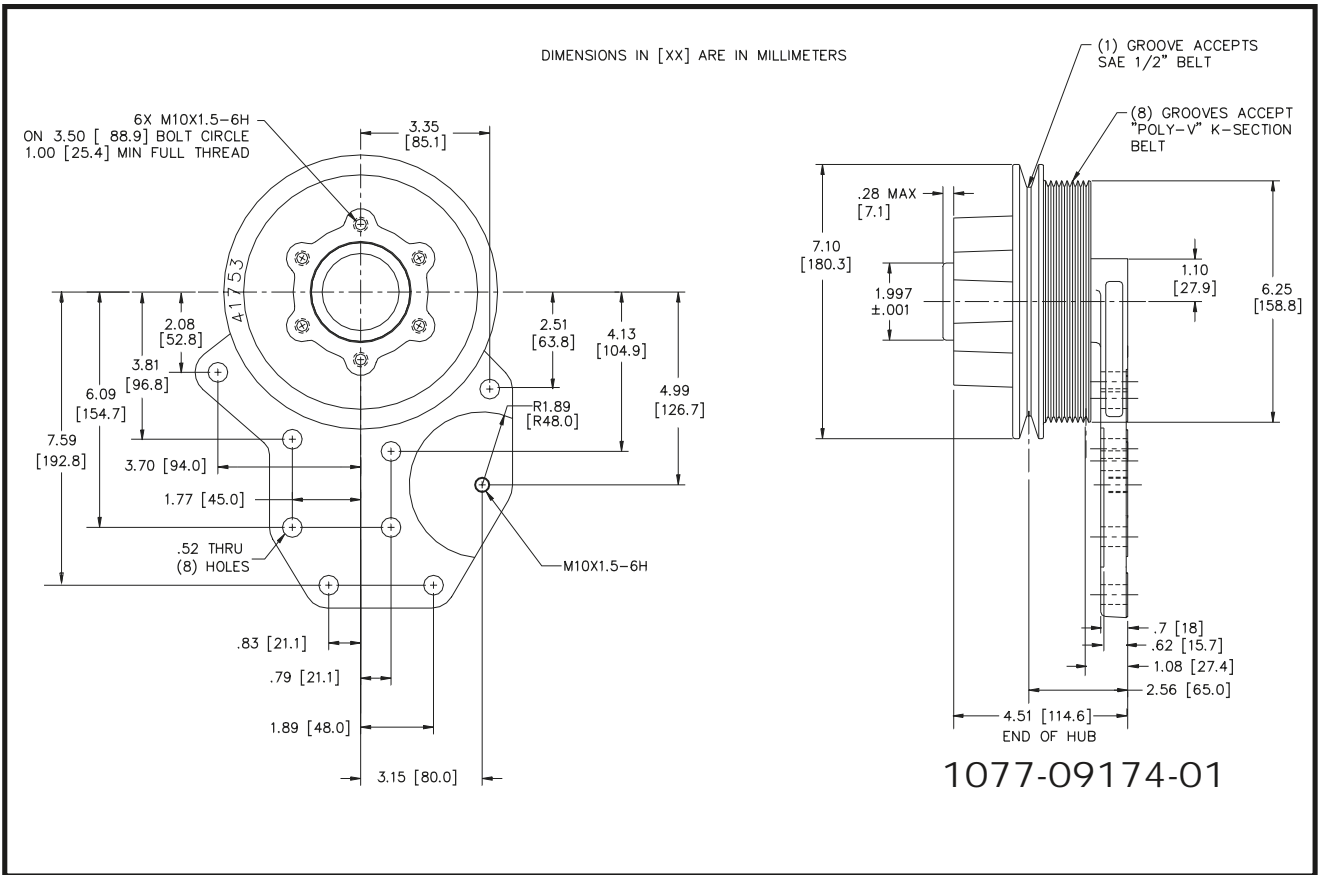
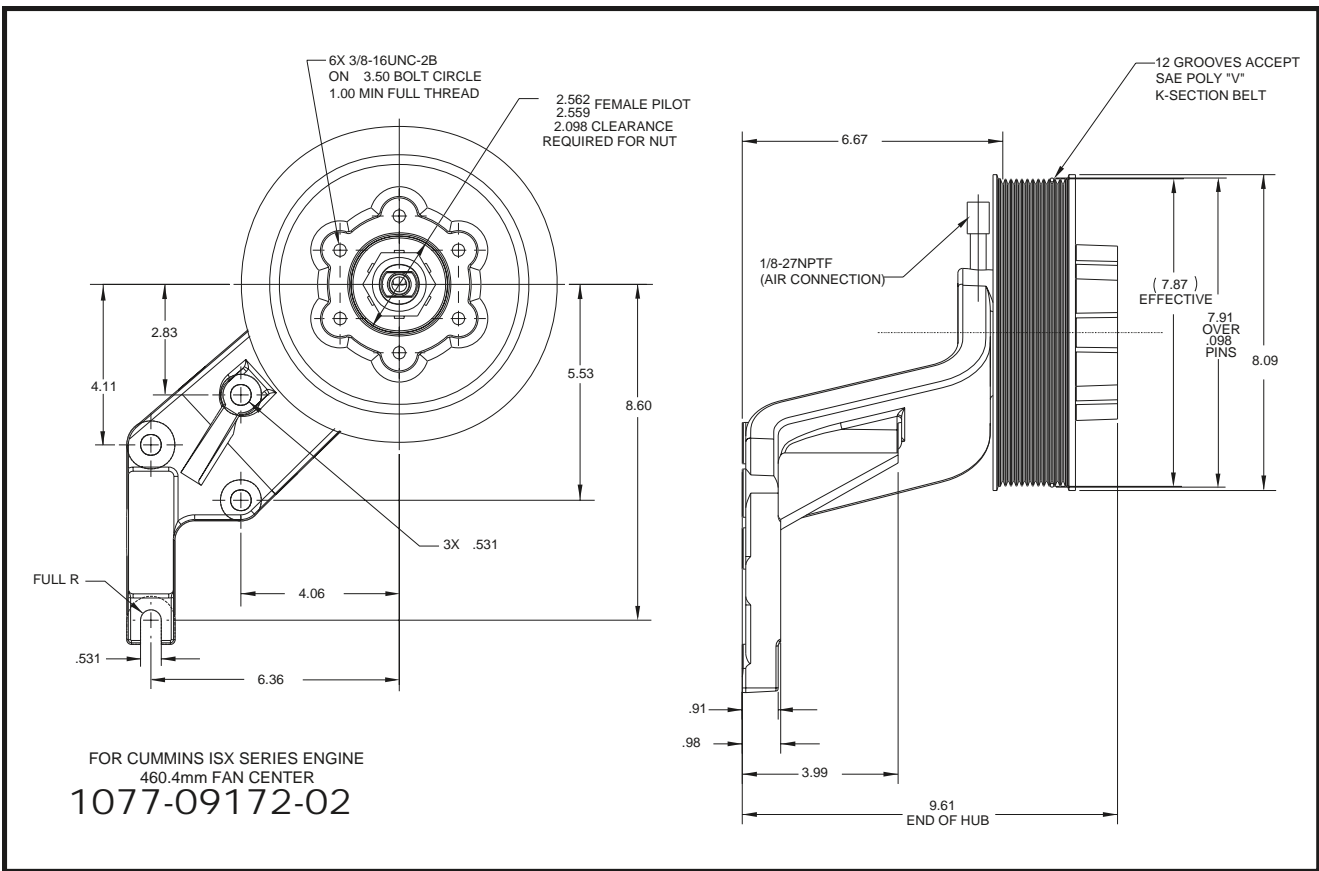


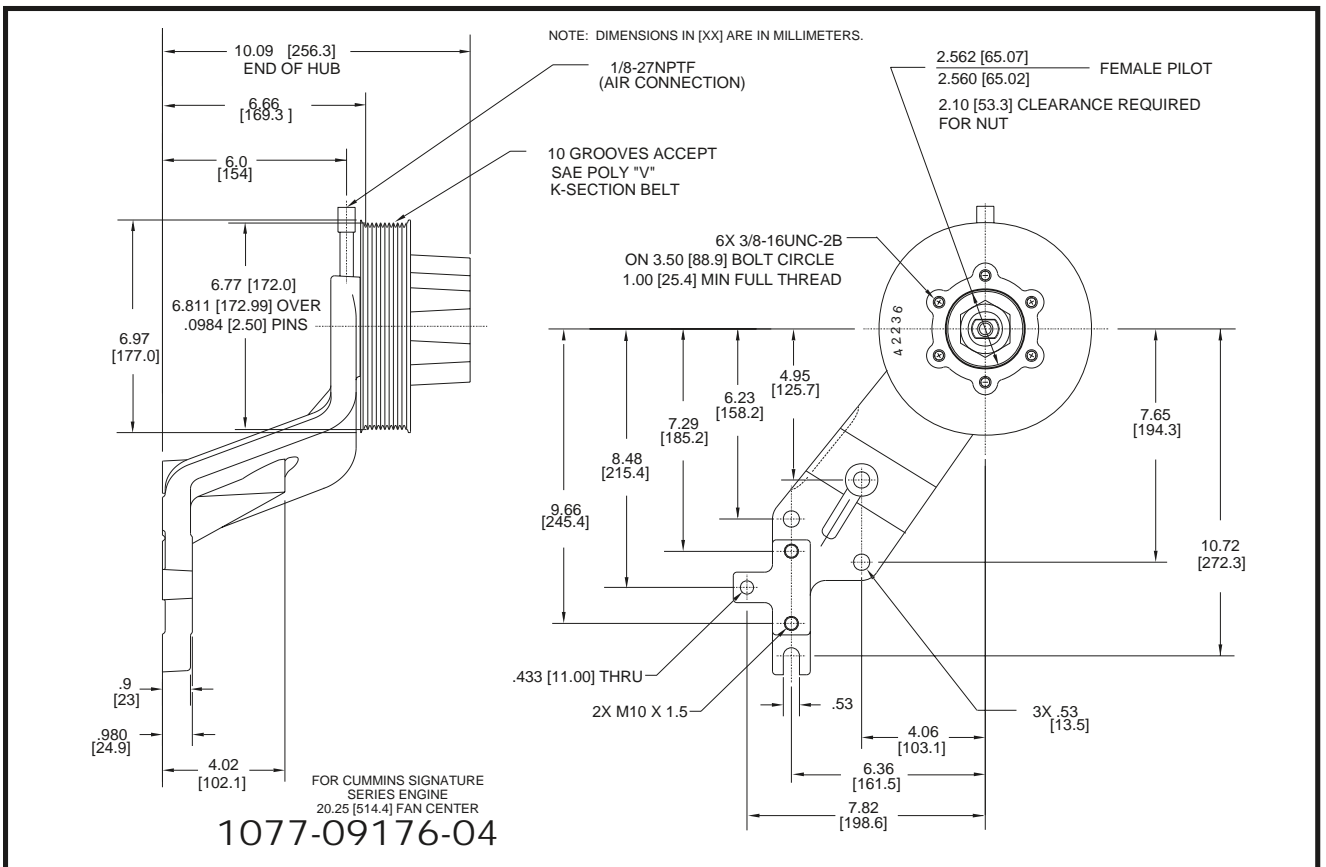
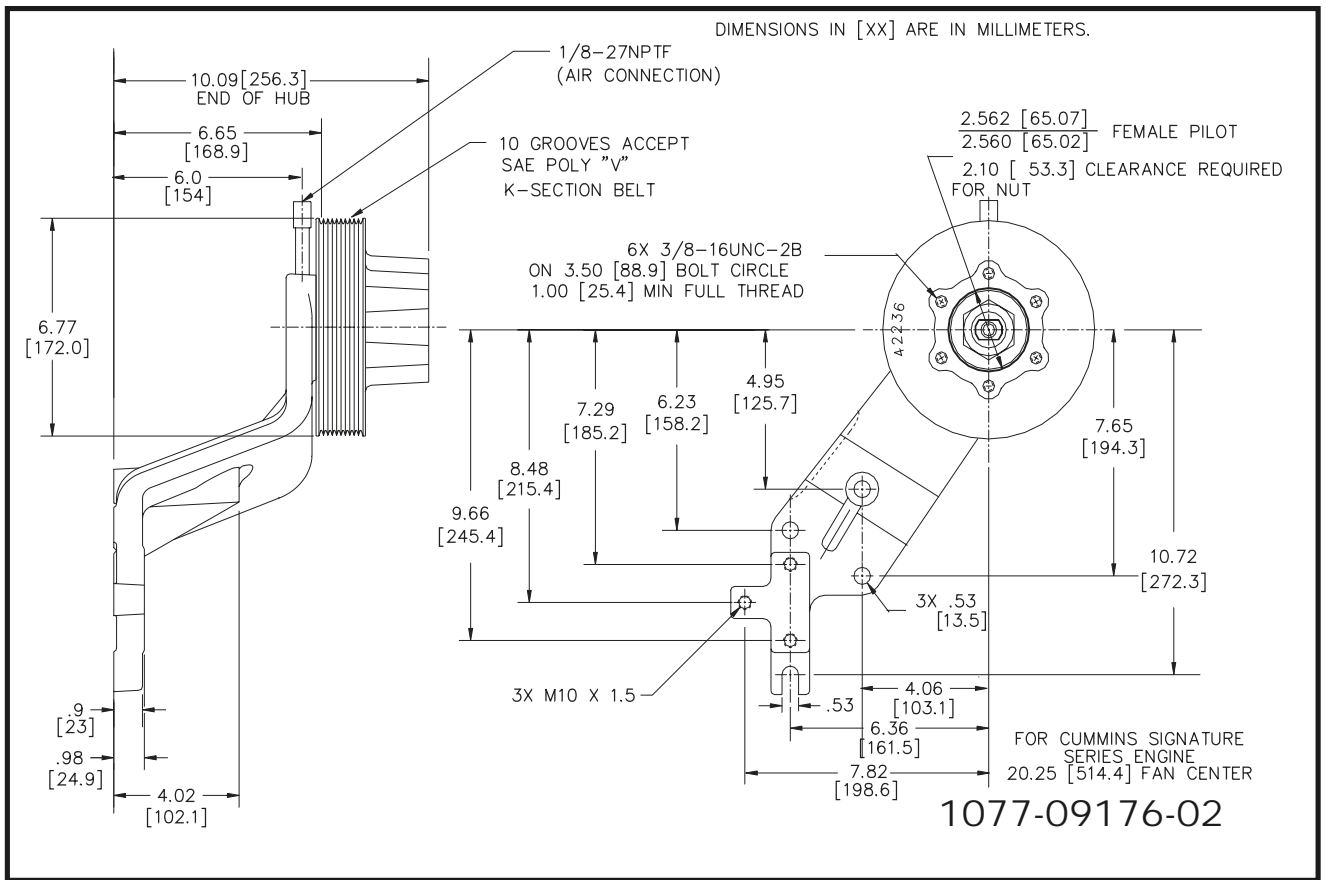


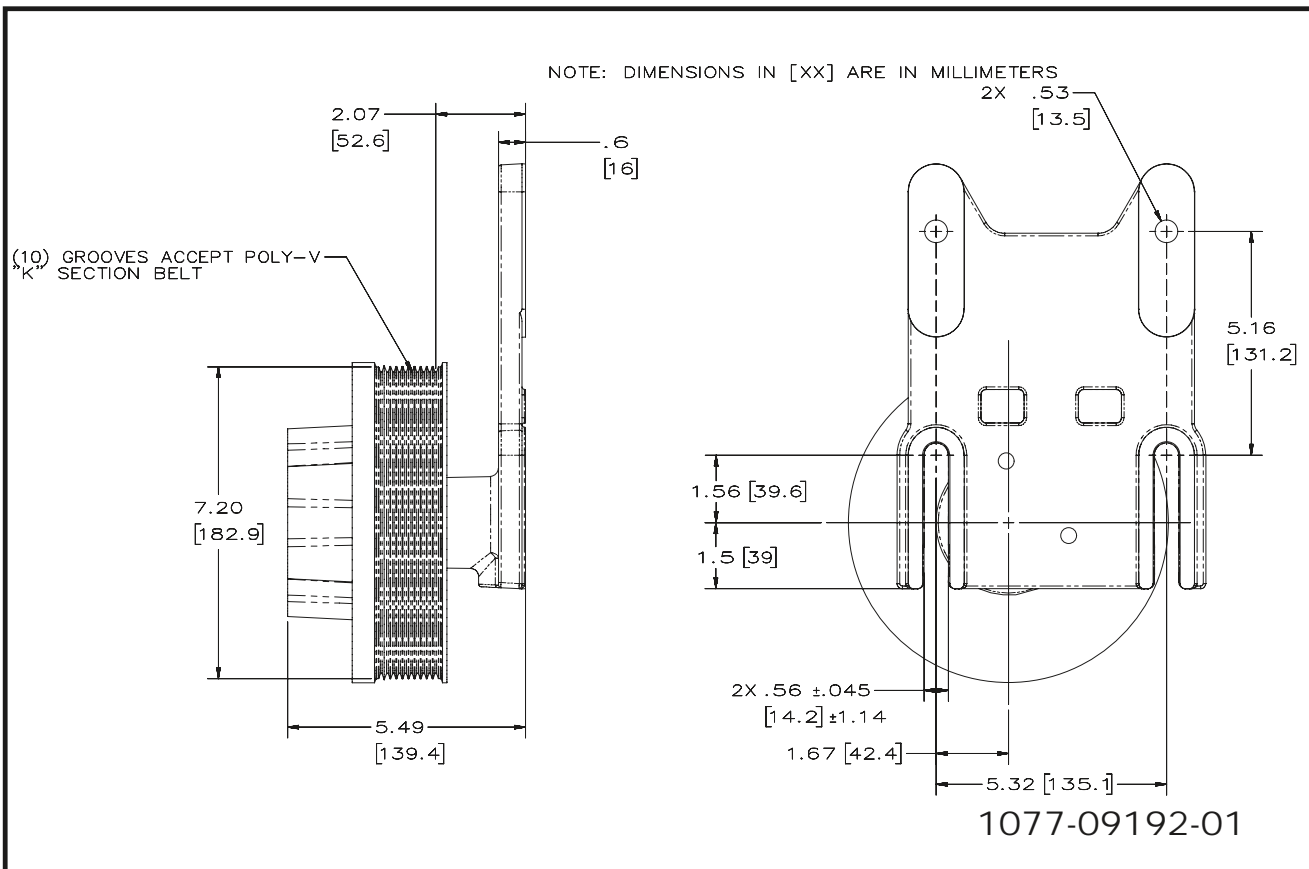
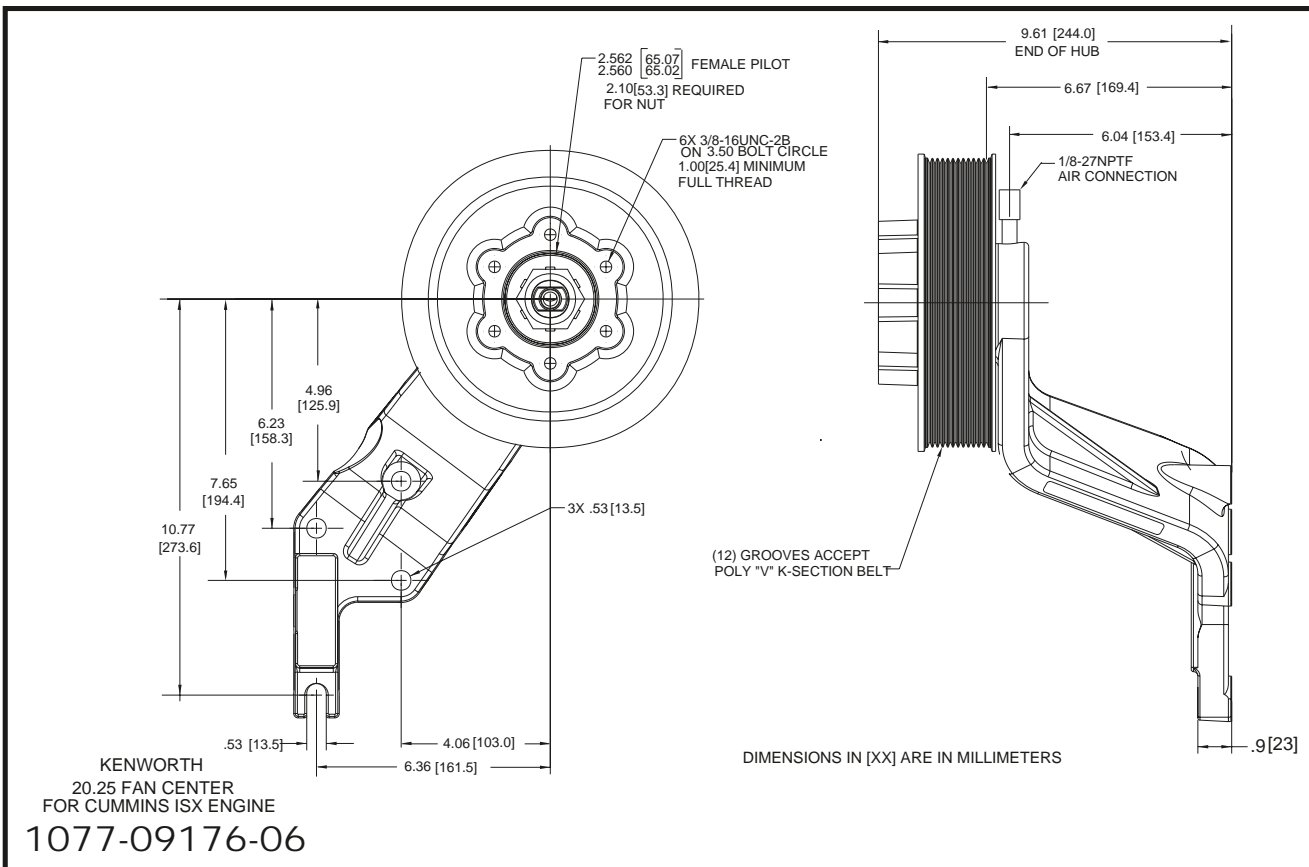


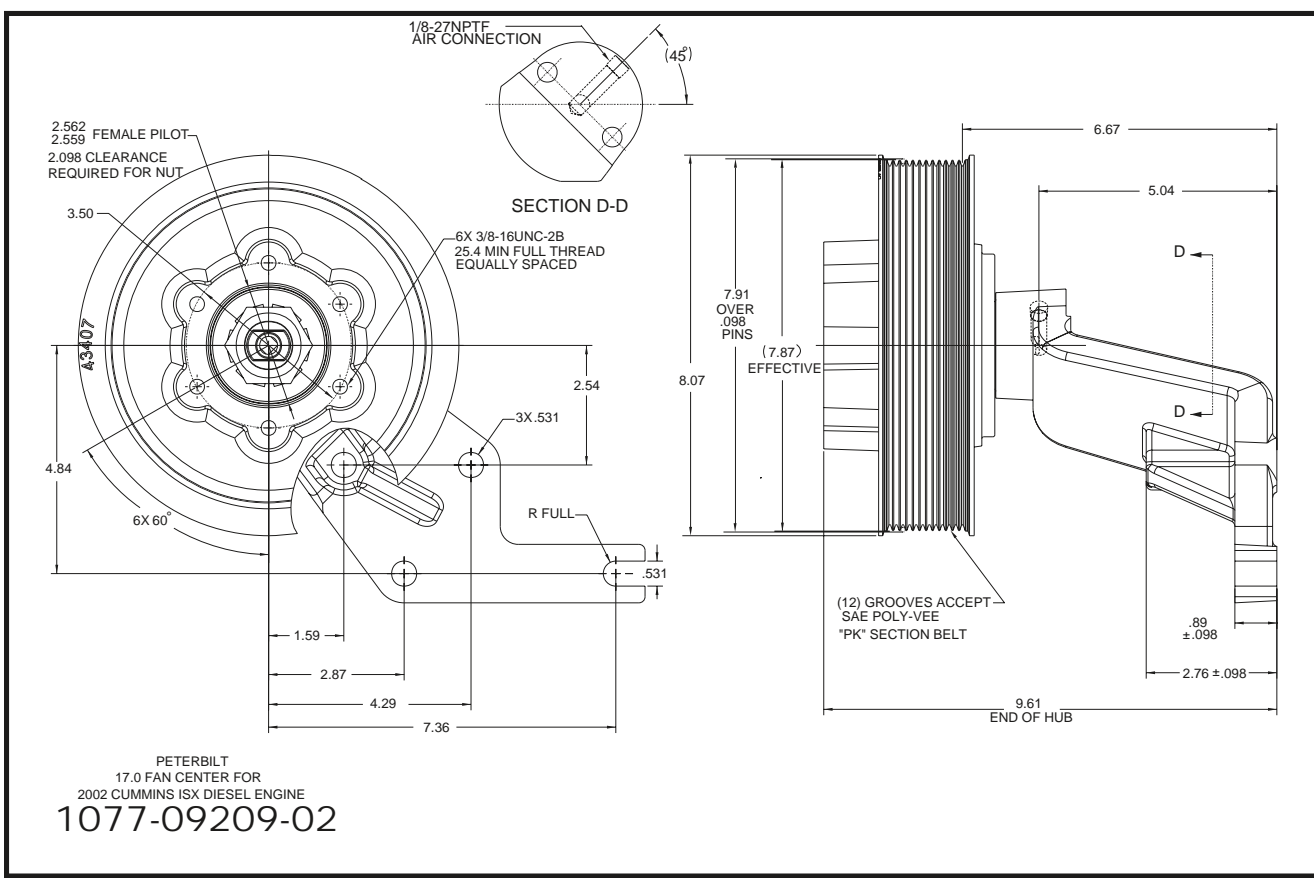
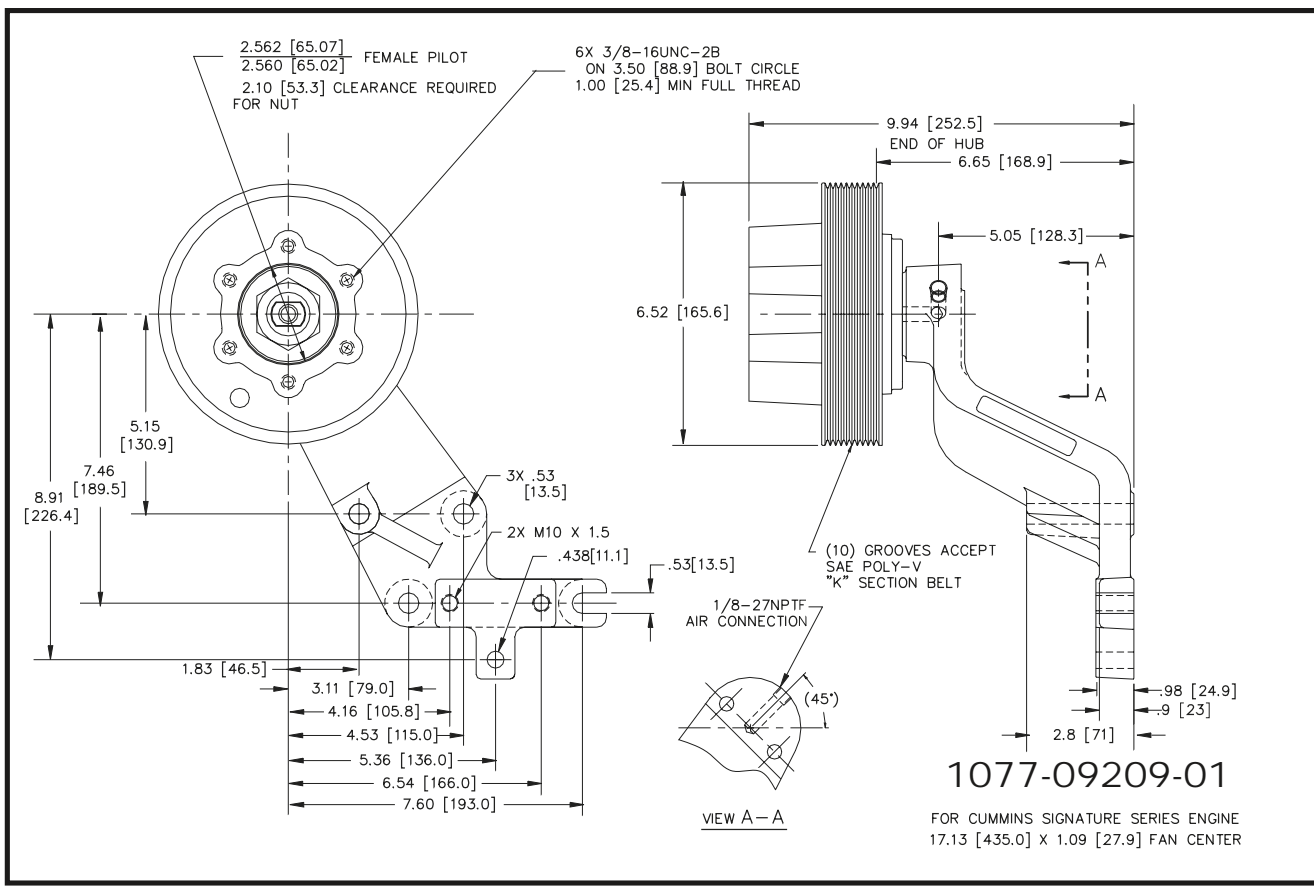




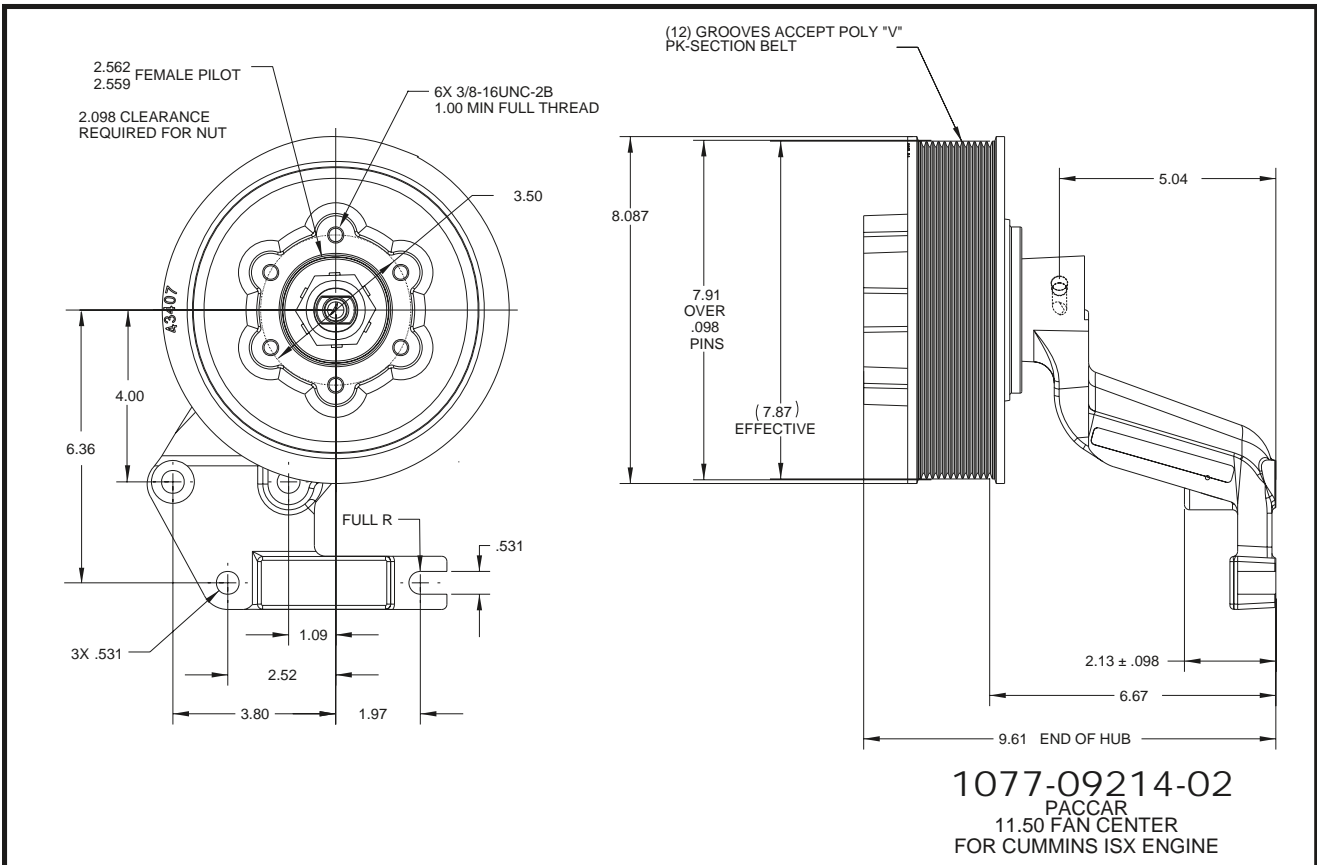
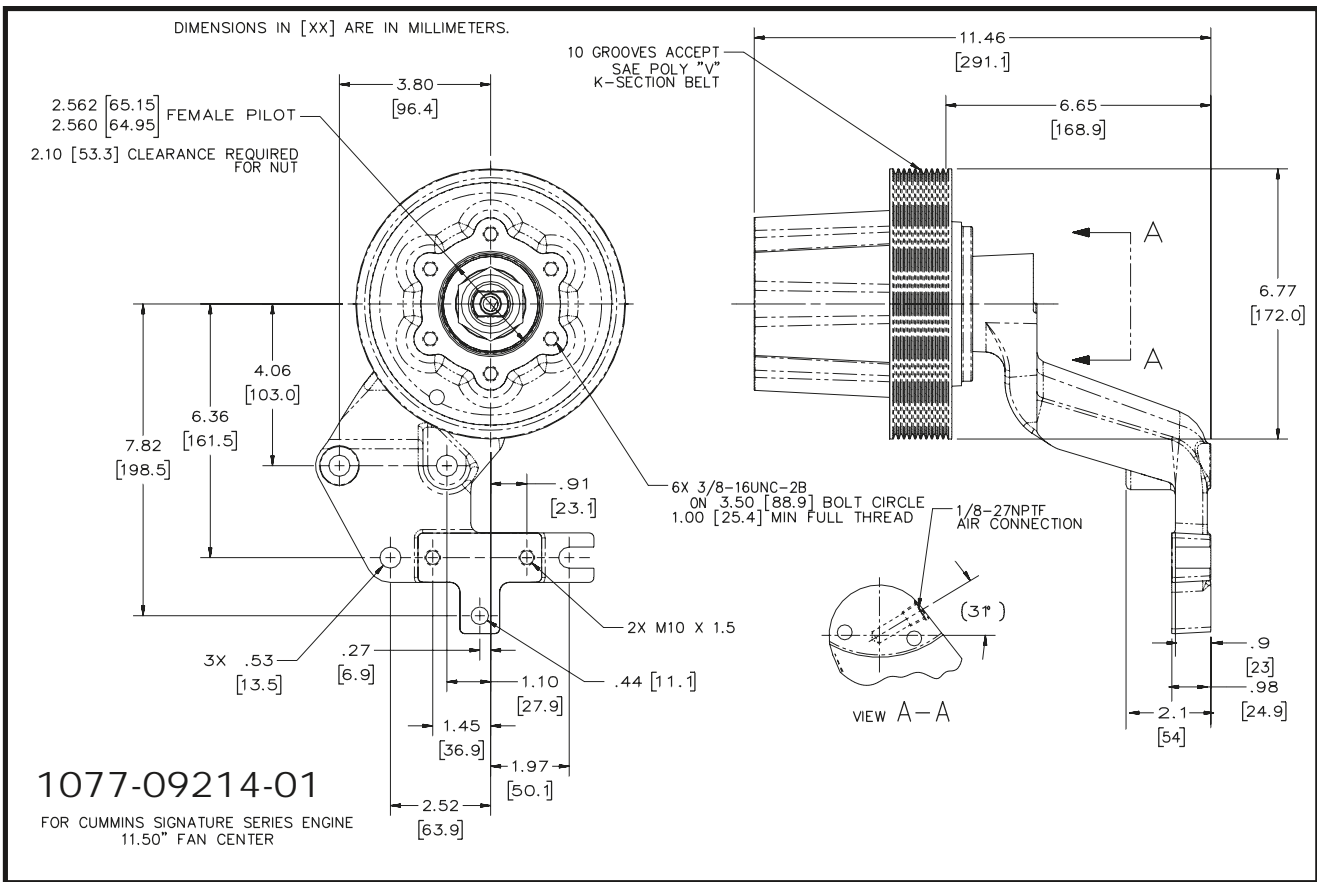


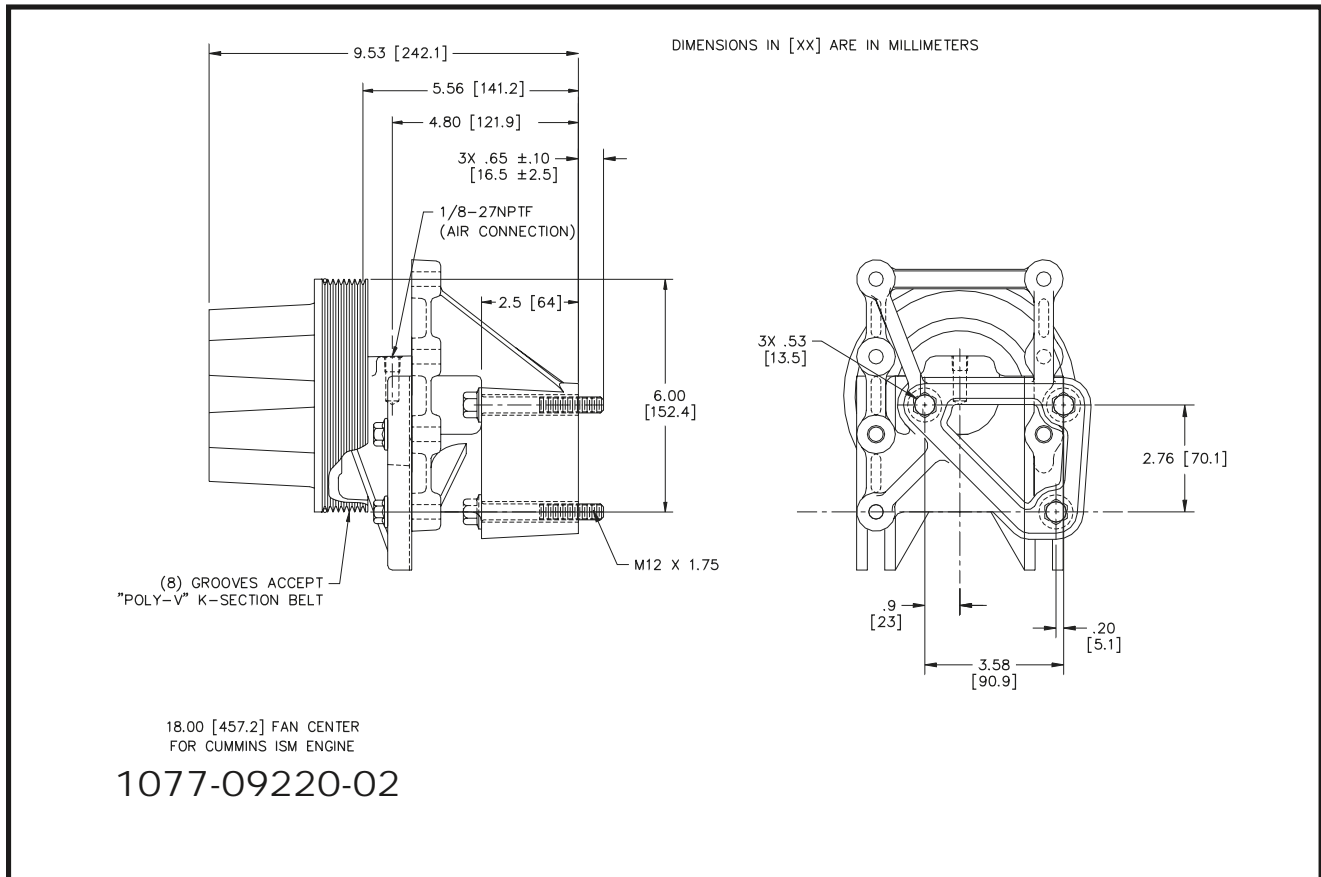
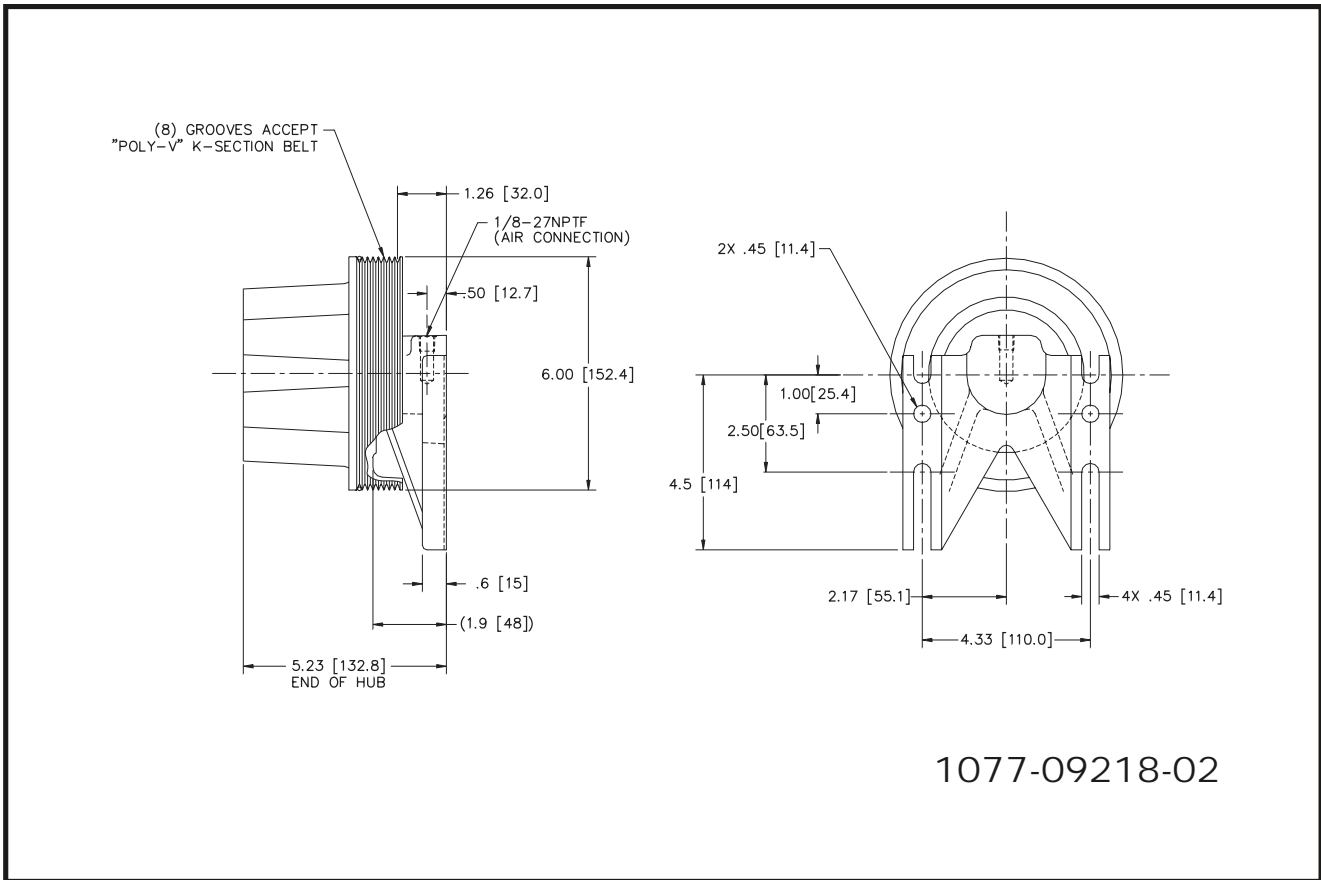




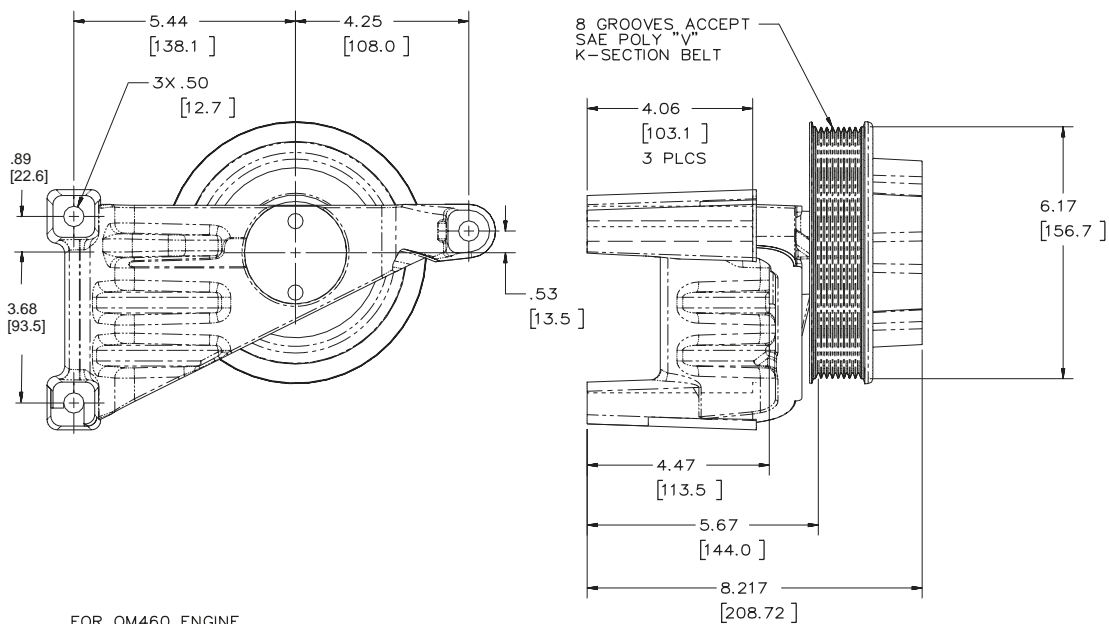








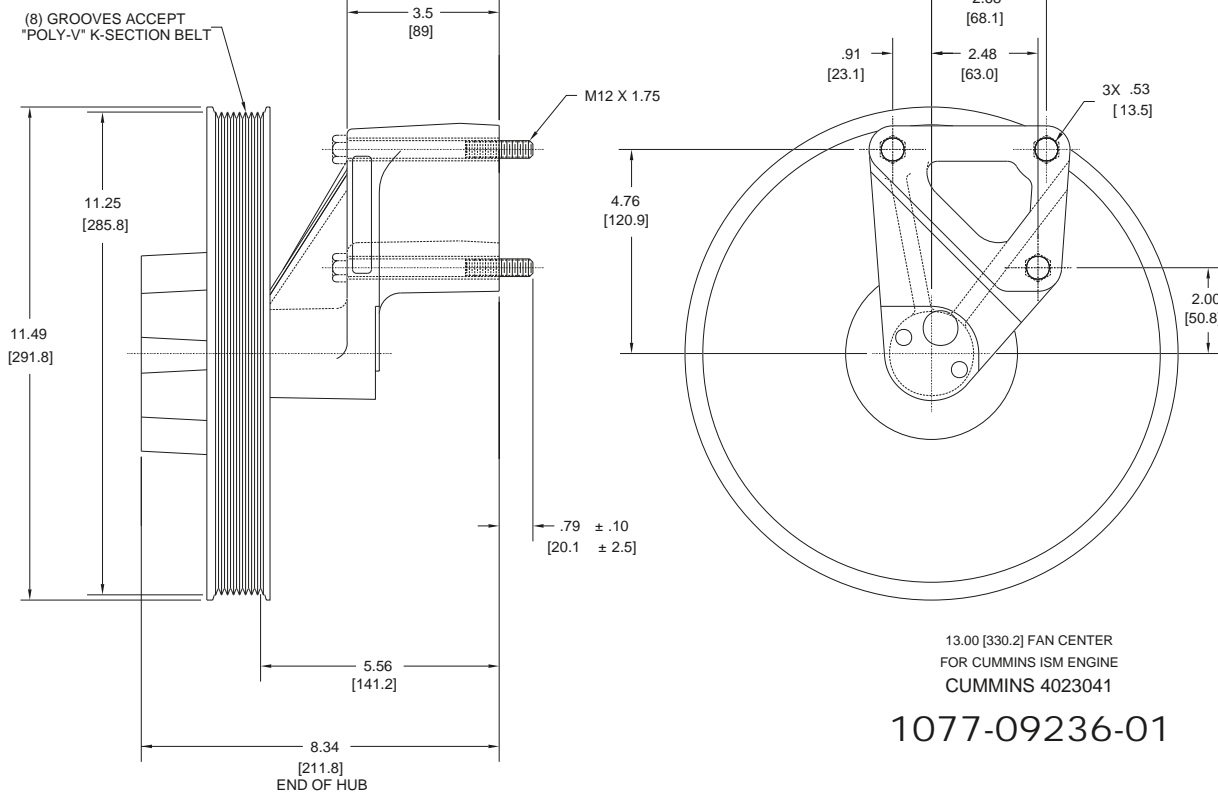
DIMENSIONS IN [XX] ARE IN MILLIMETERS



FOR OM460 ENGINE

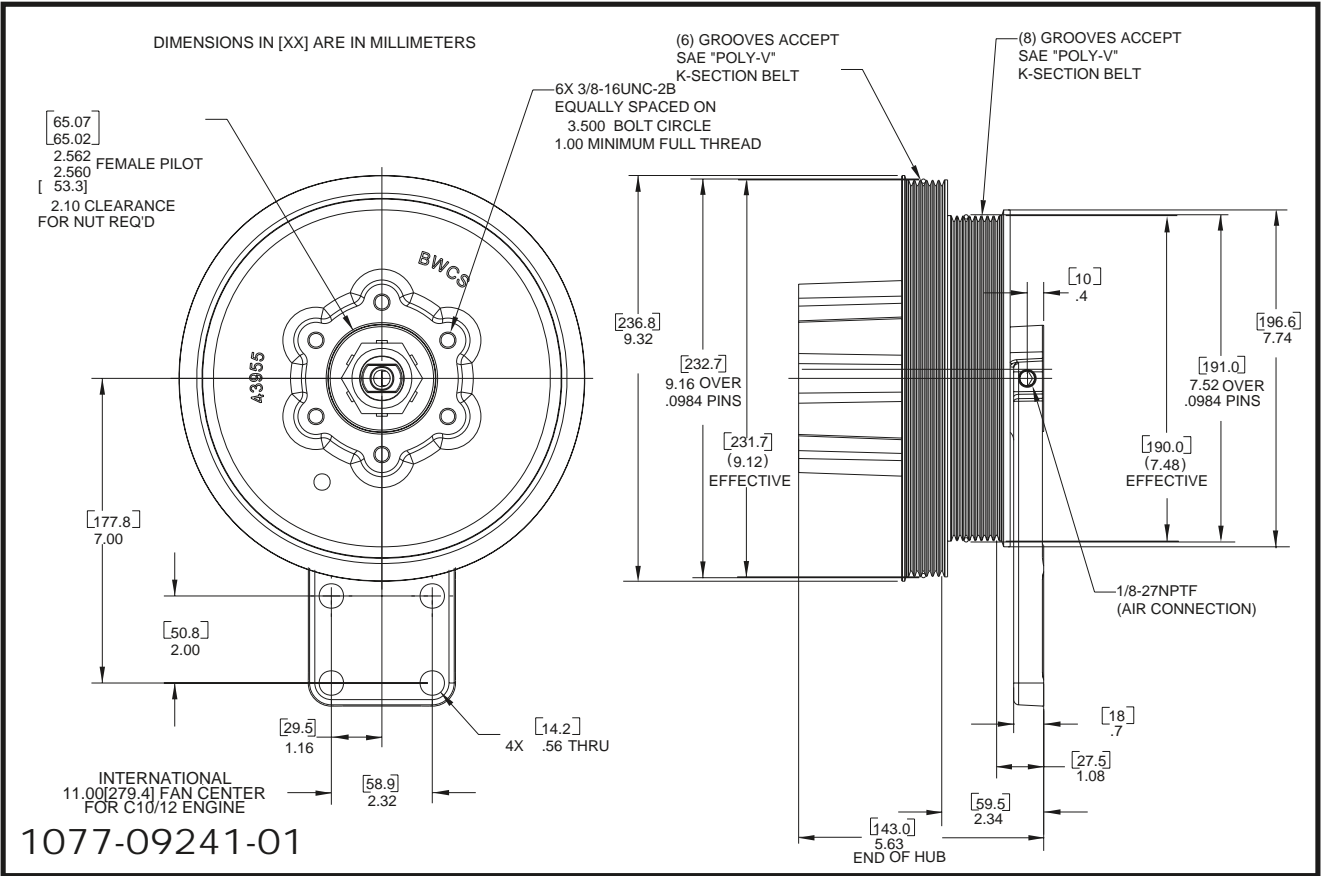
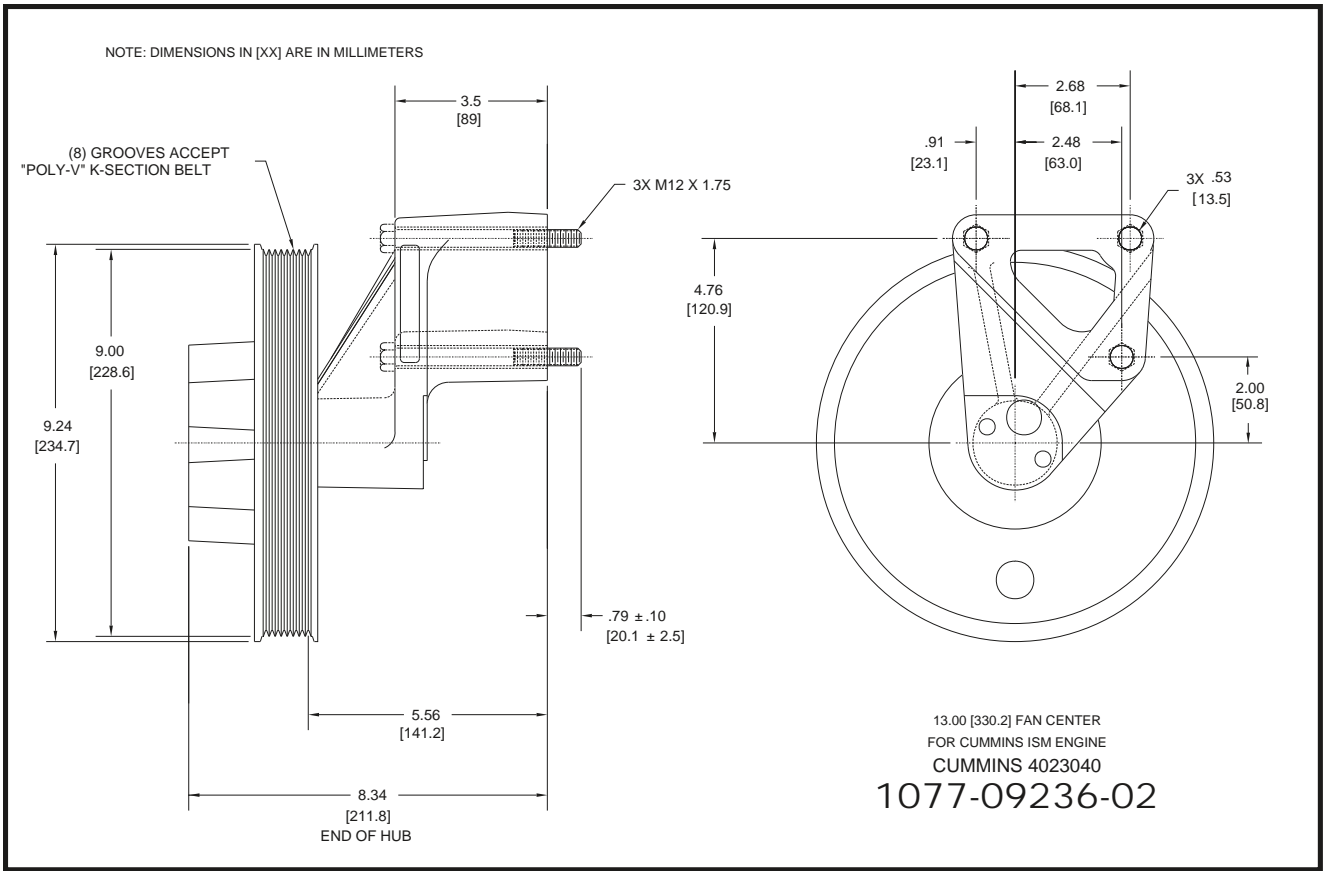
1077-09223-01

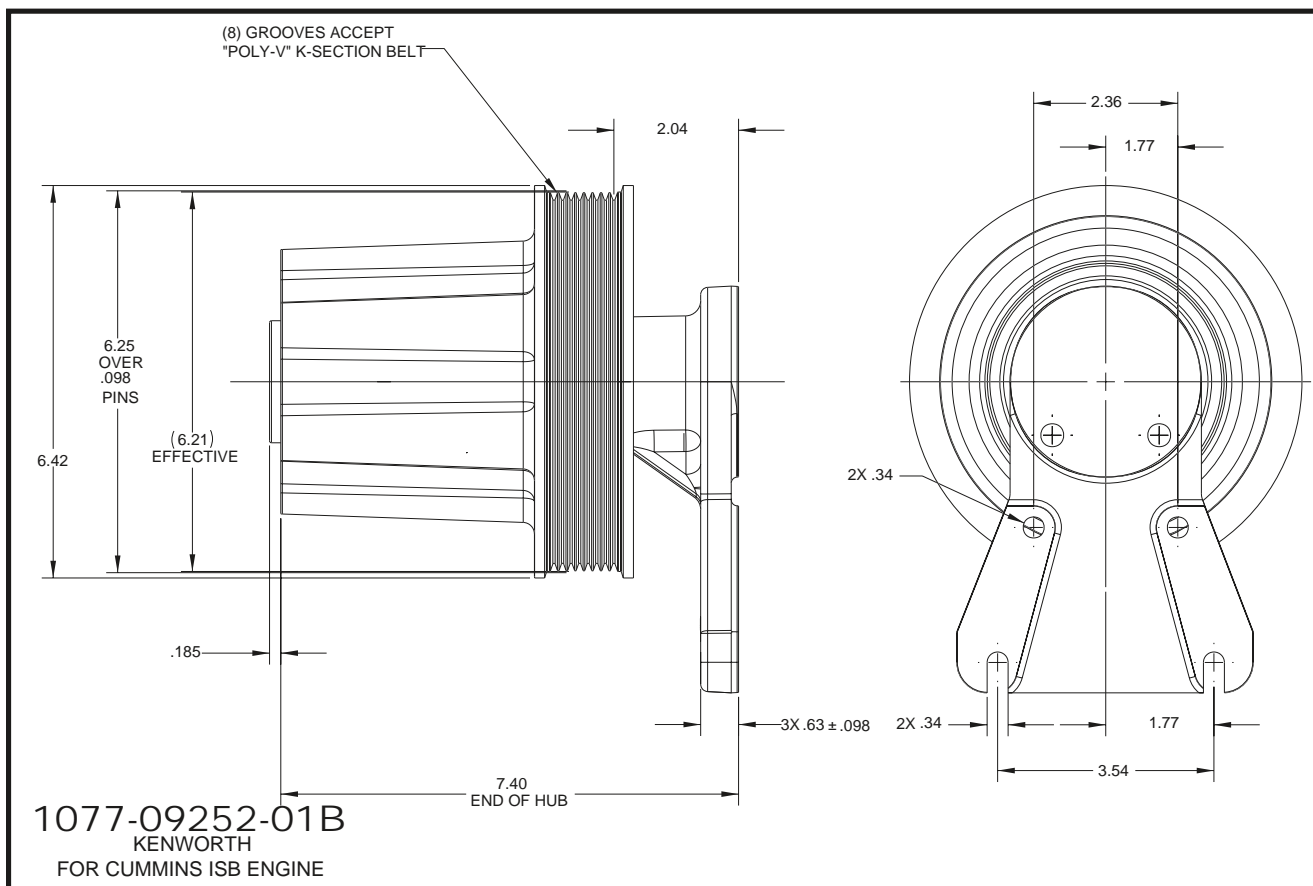
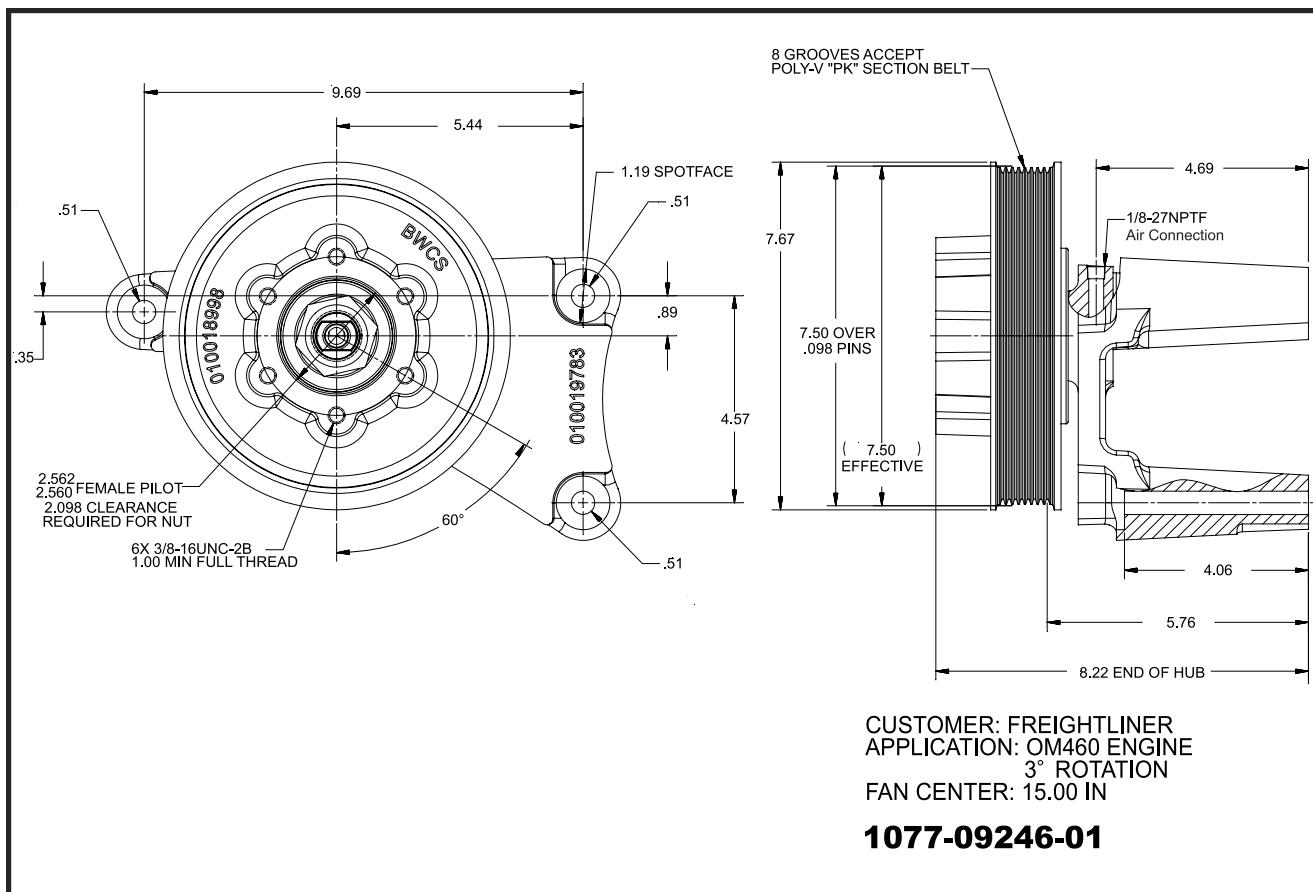
NOTE: DIMENSIONS IN [XX] ARE IN MILLIMETERS

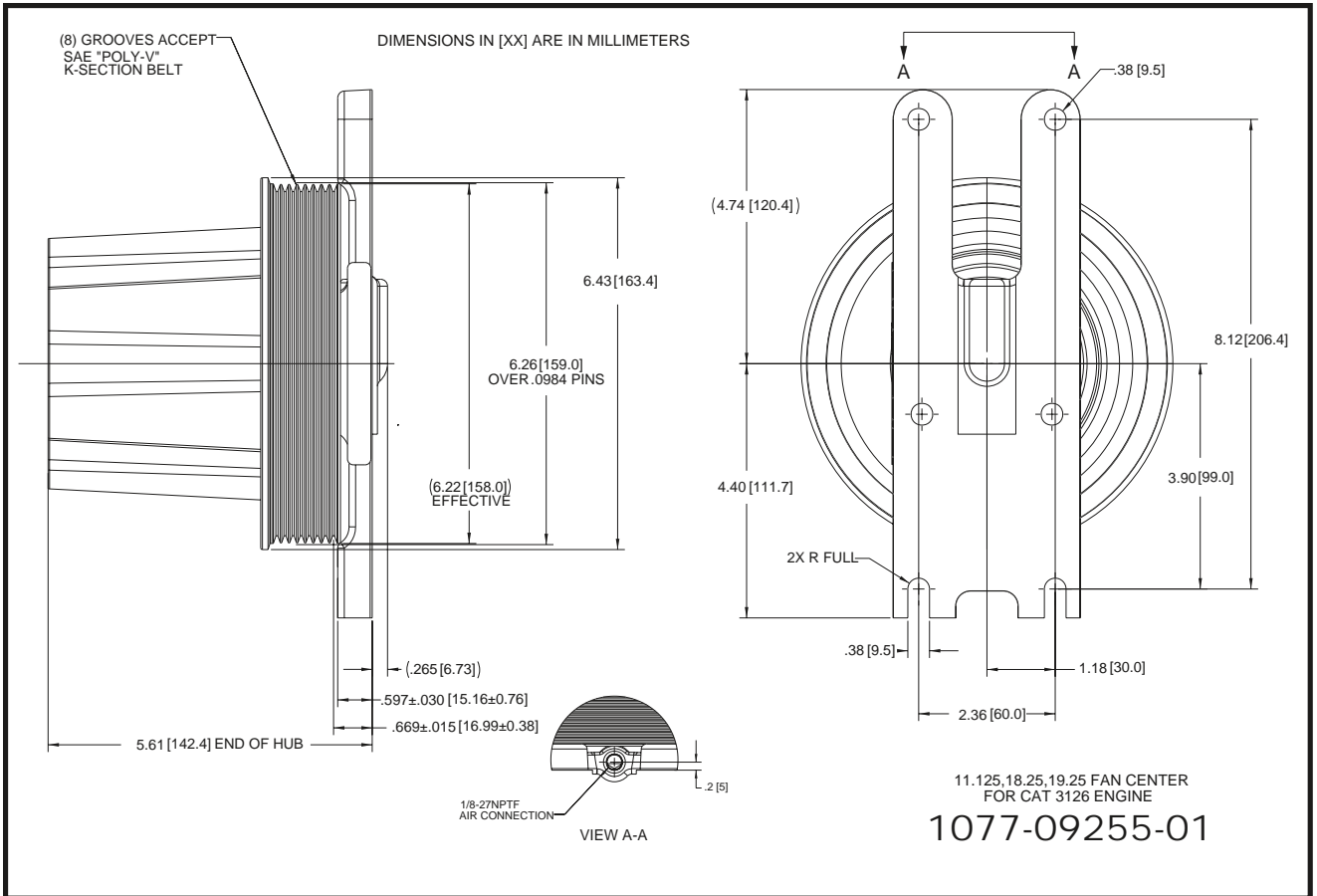
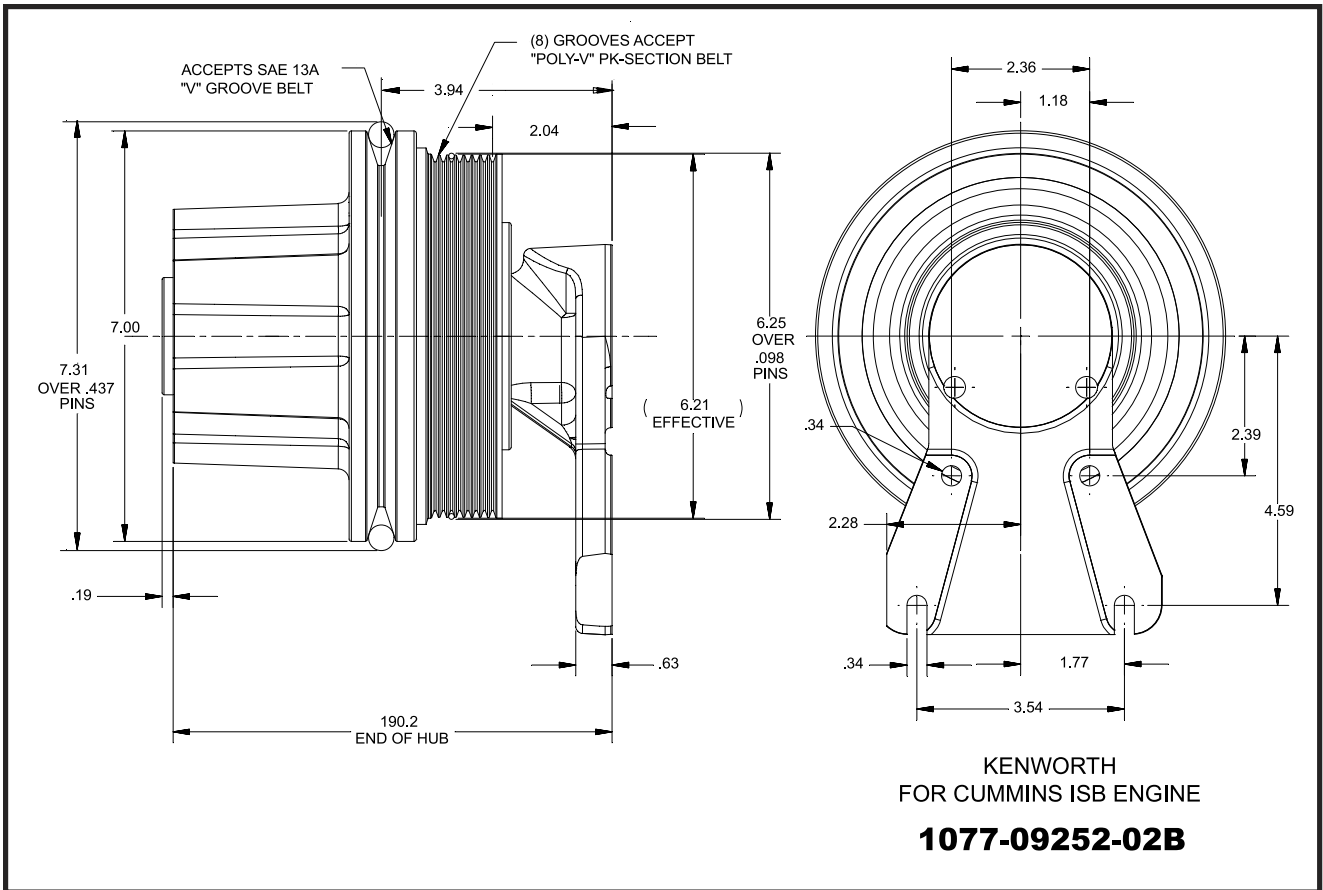


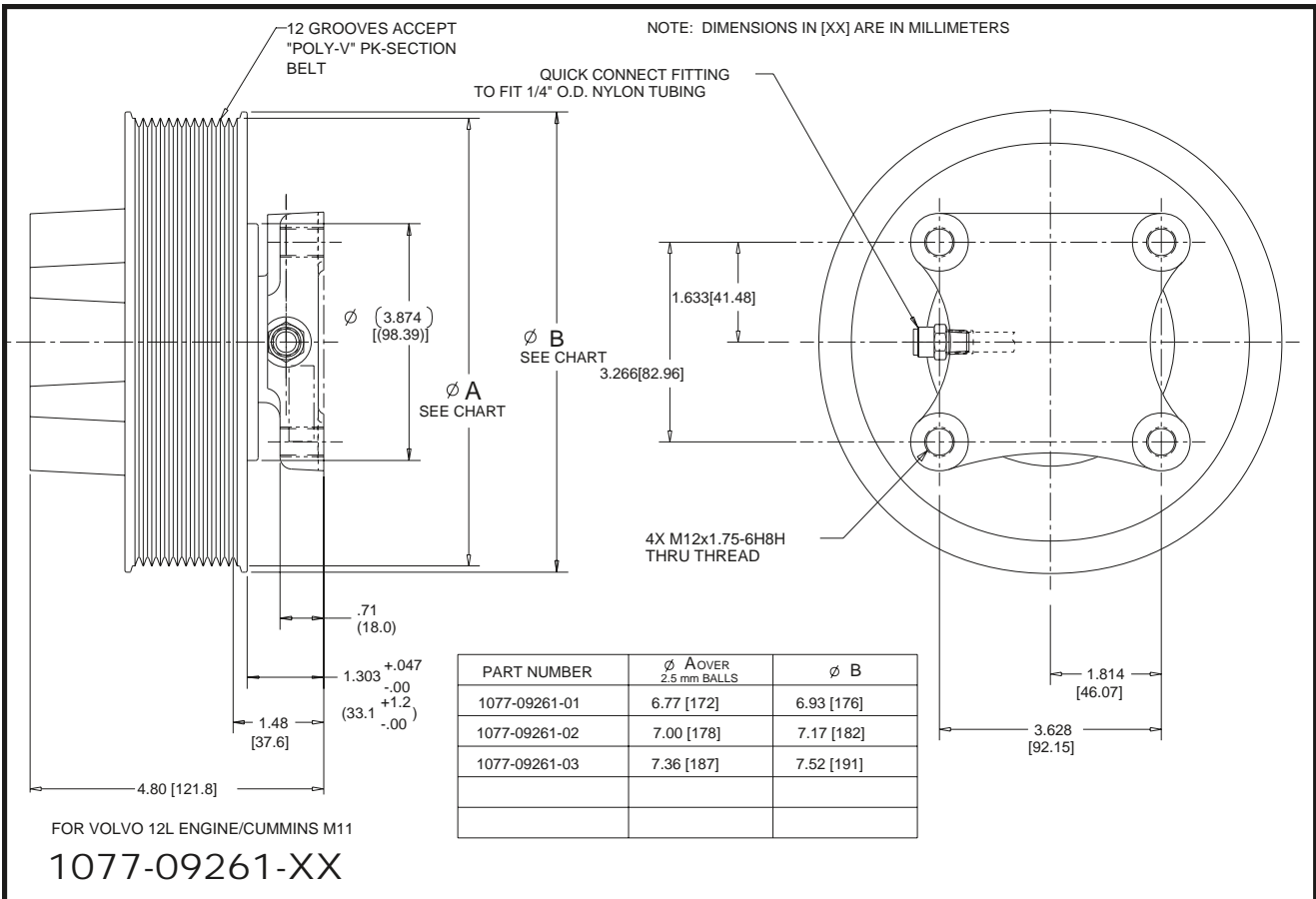
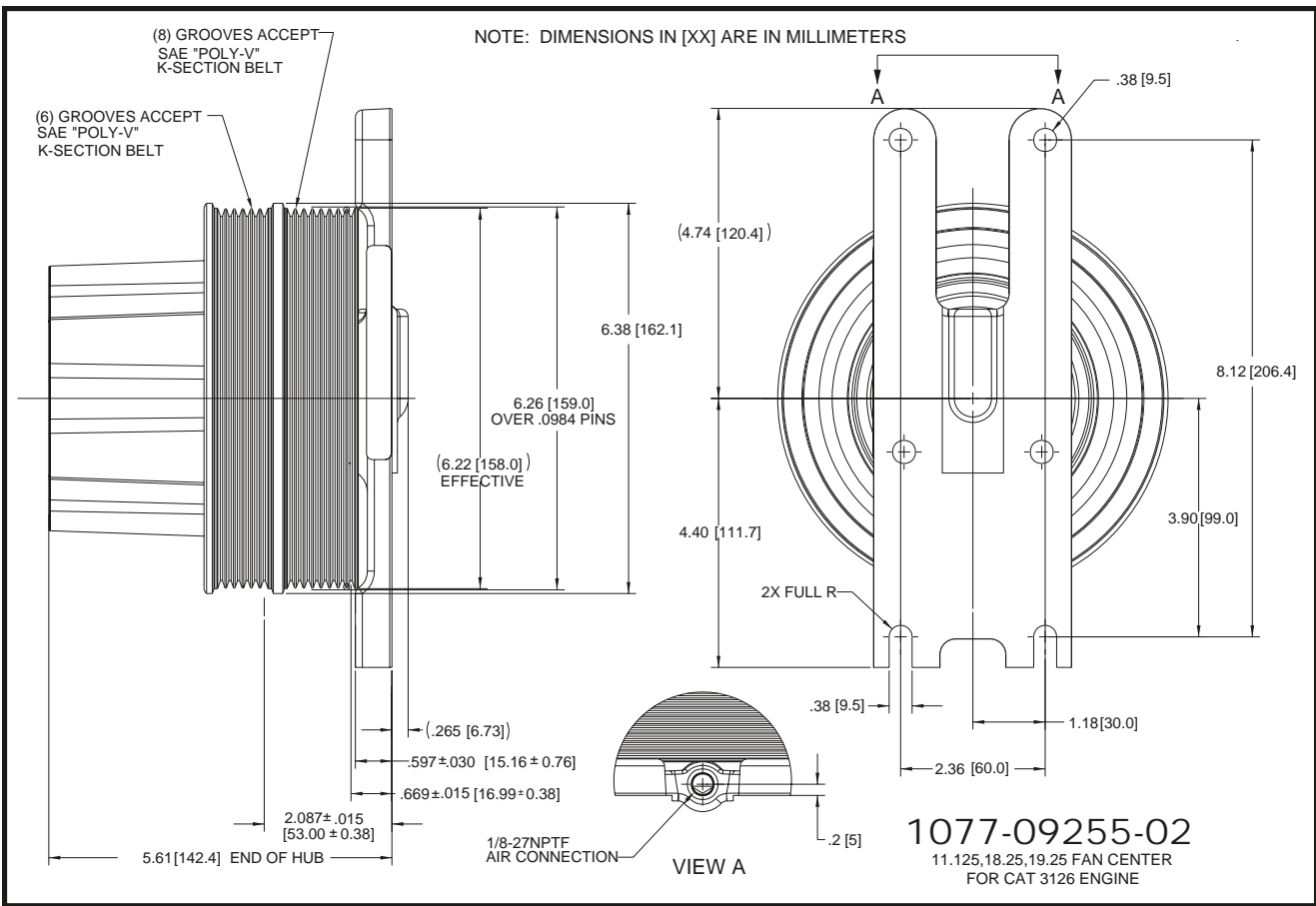
13.00 [330.2] FAN CENTER  
FOR CUMMINS ISM ENGINE  
CUMMINS 4023041

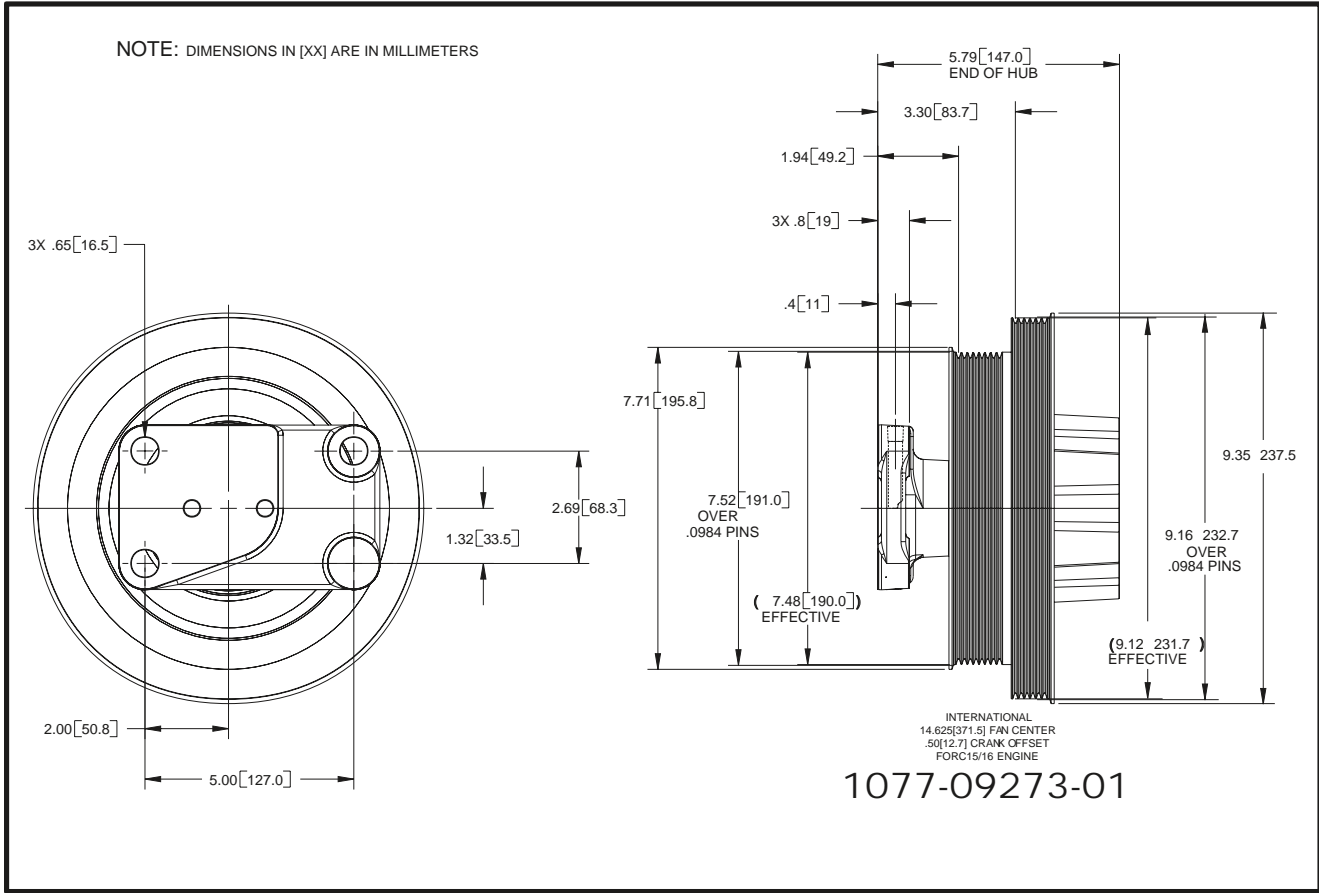
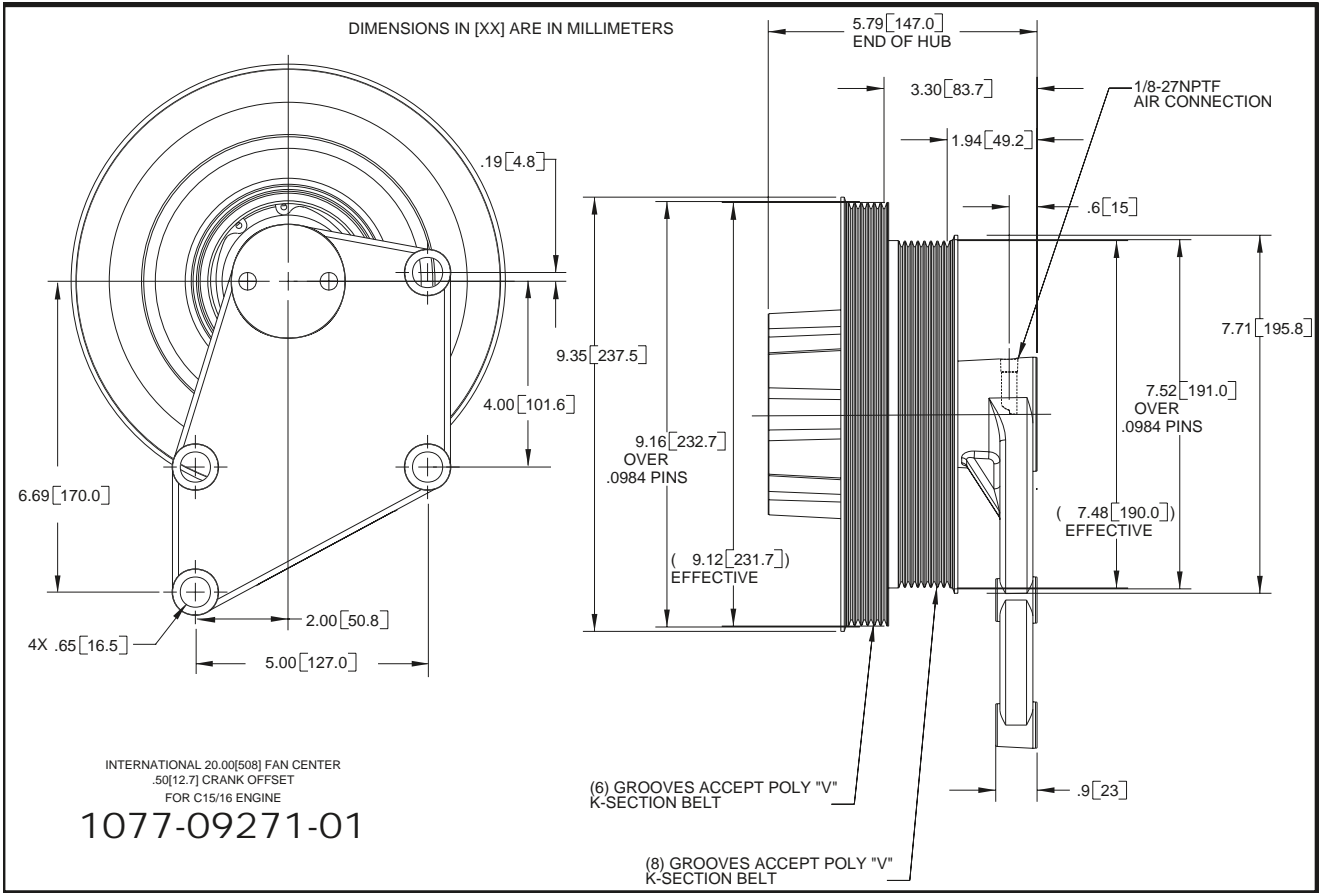
1077-09236-01



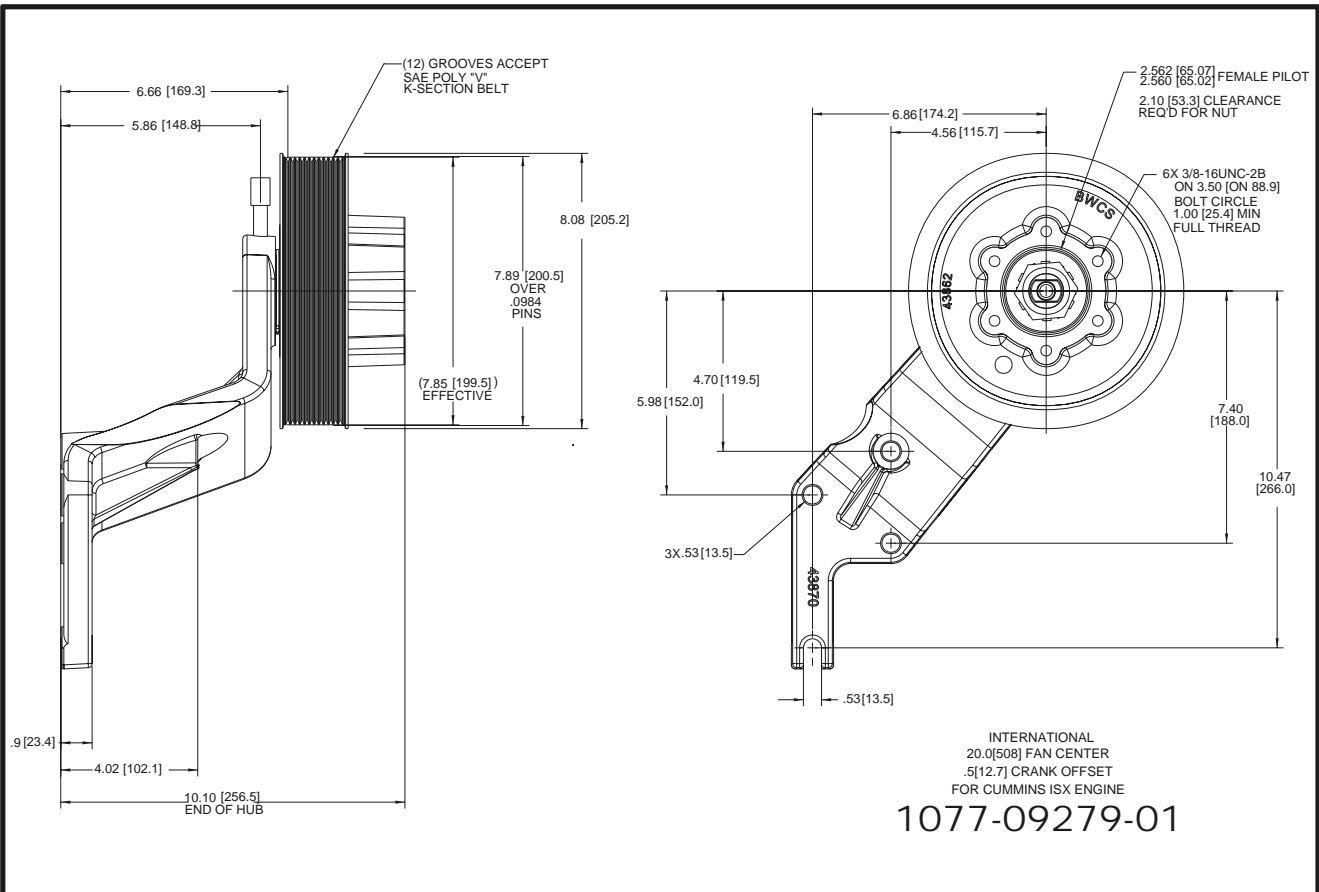
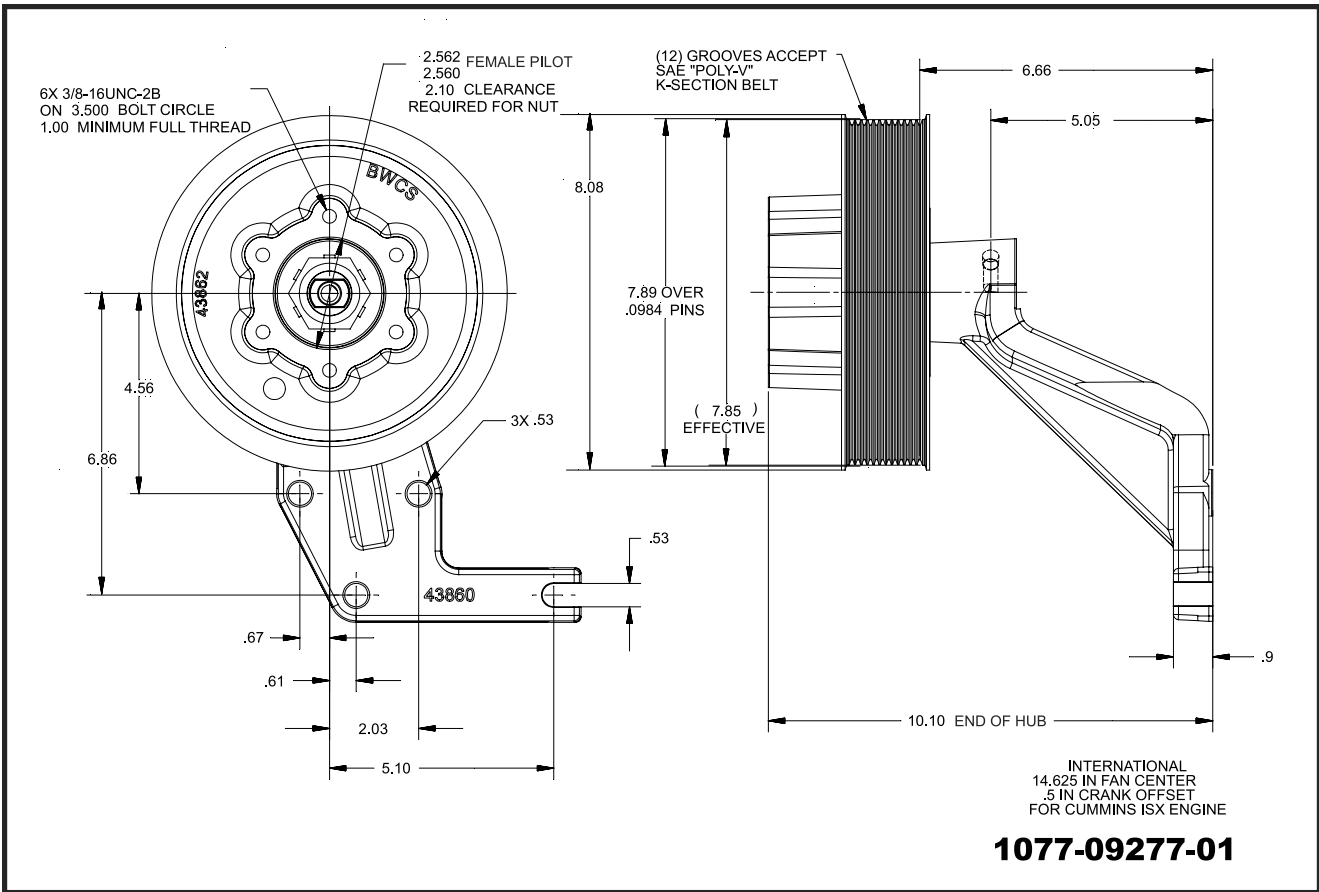


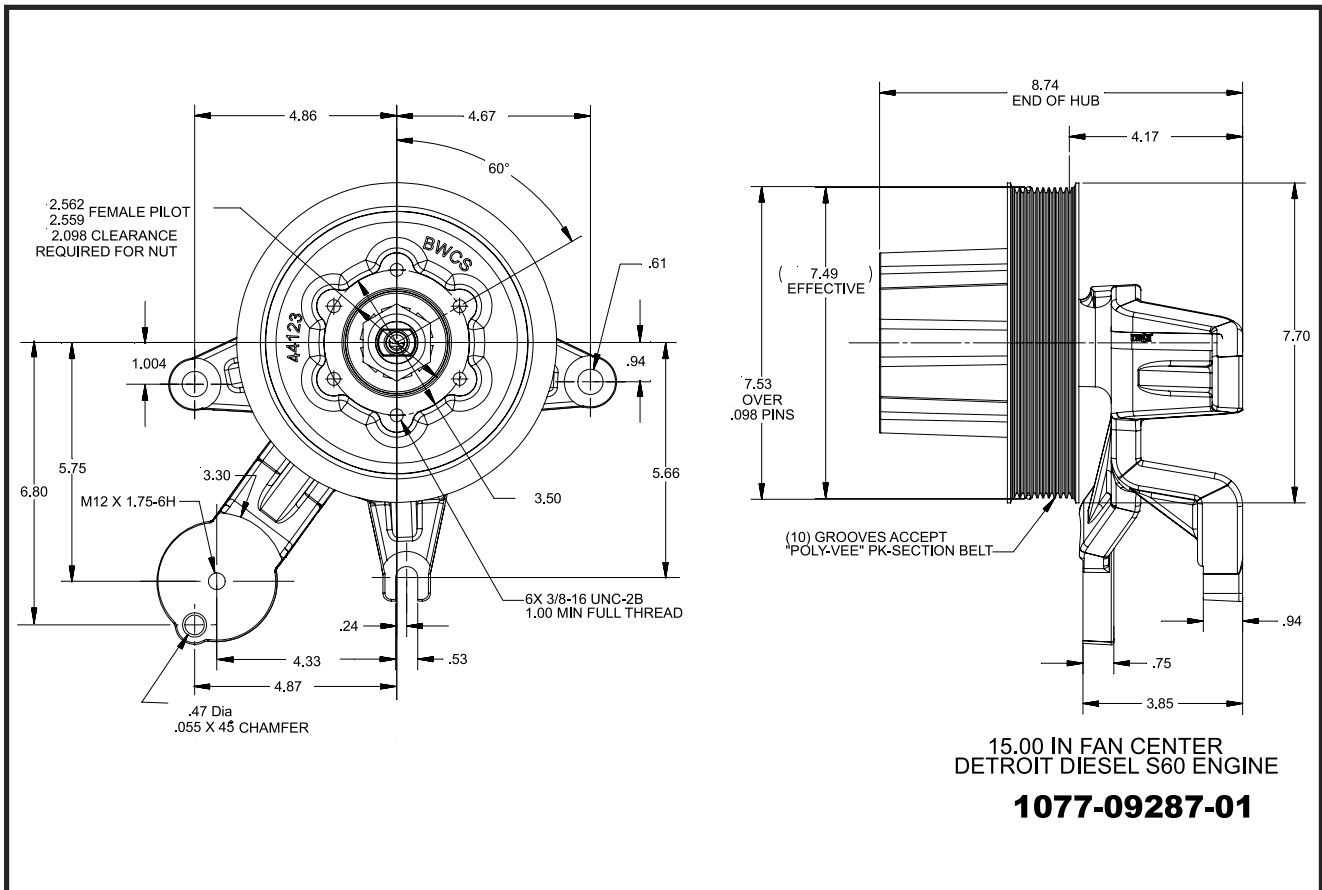
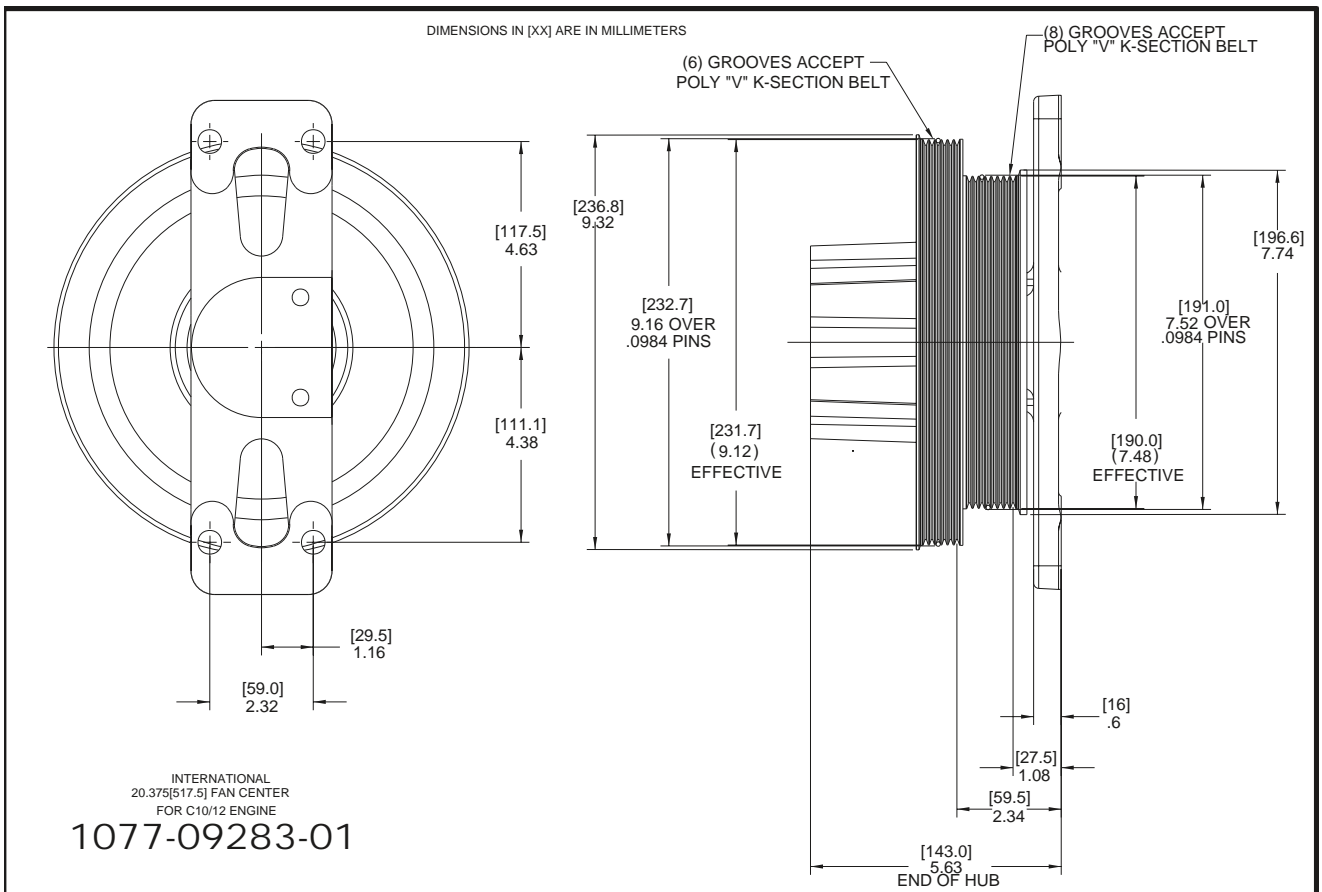


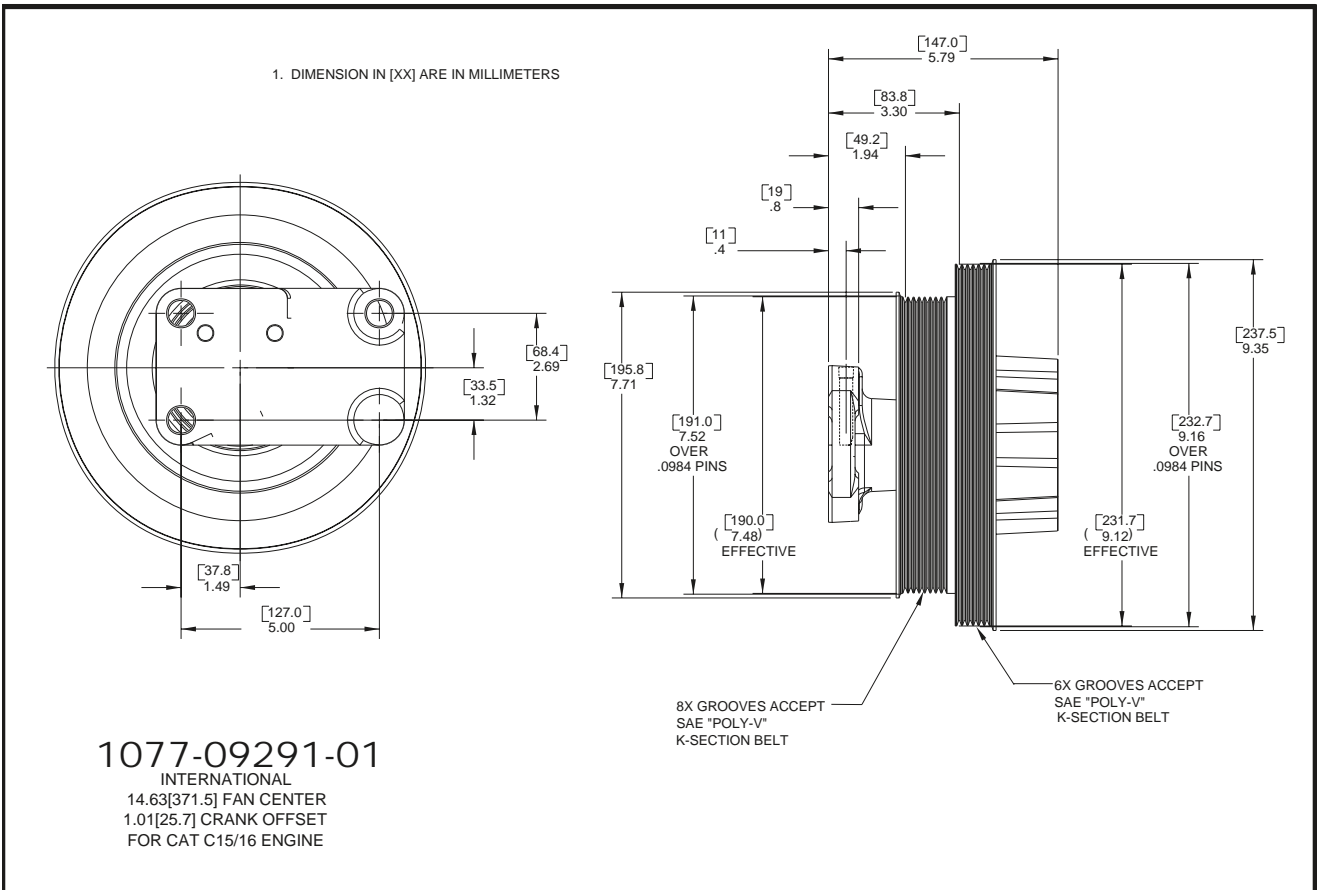
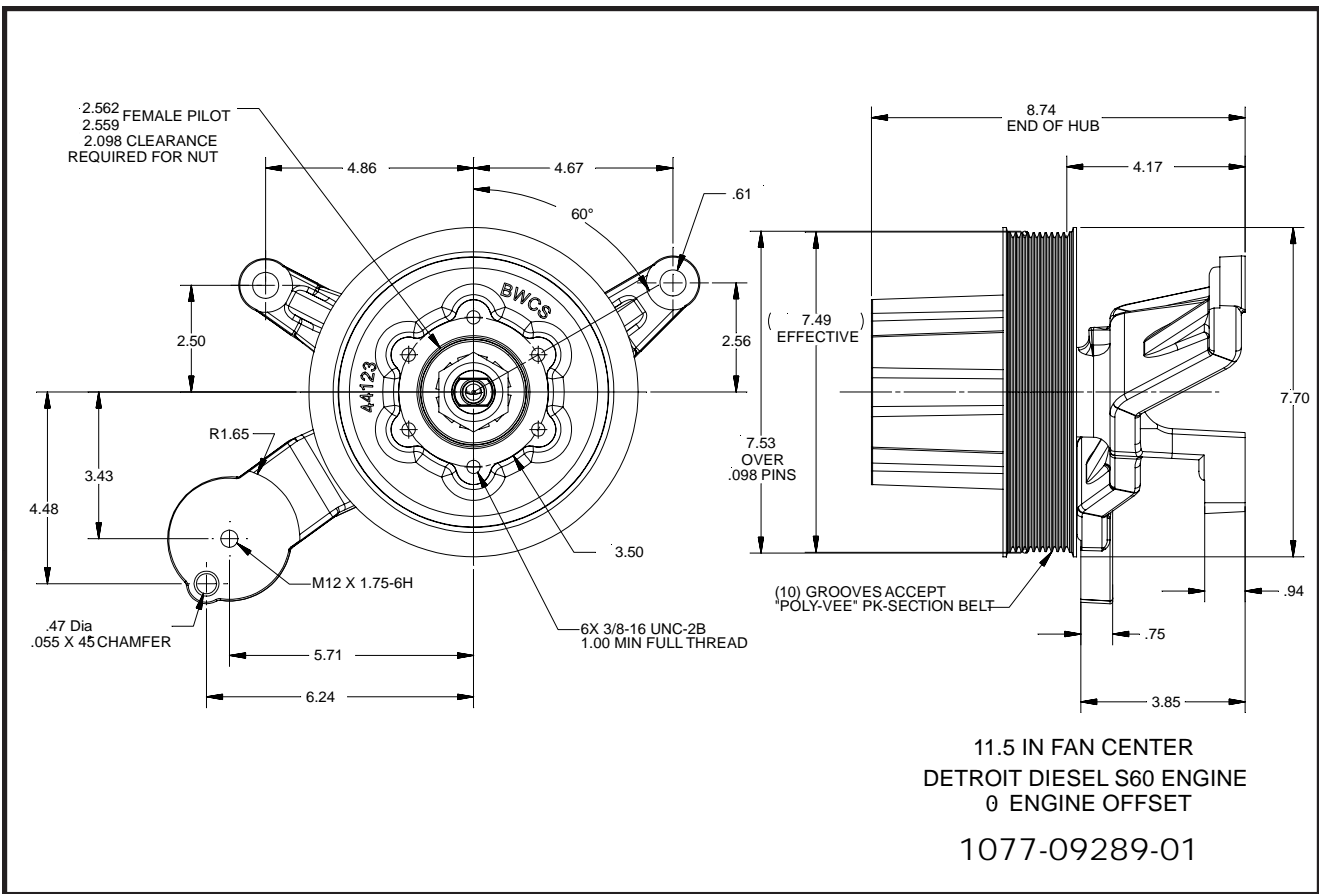


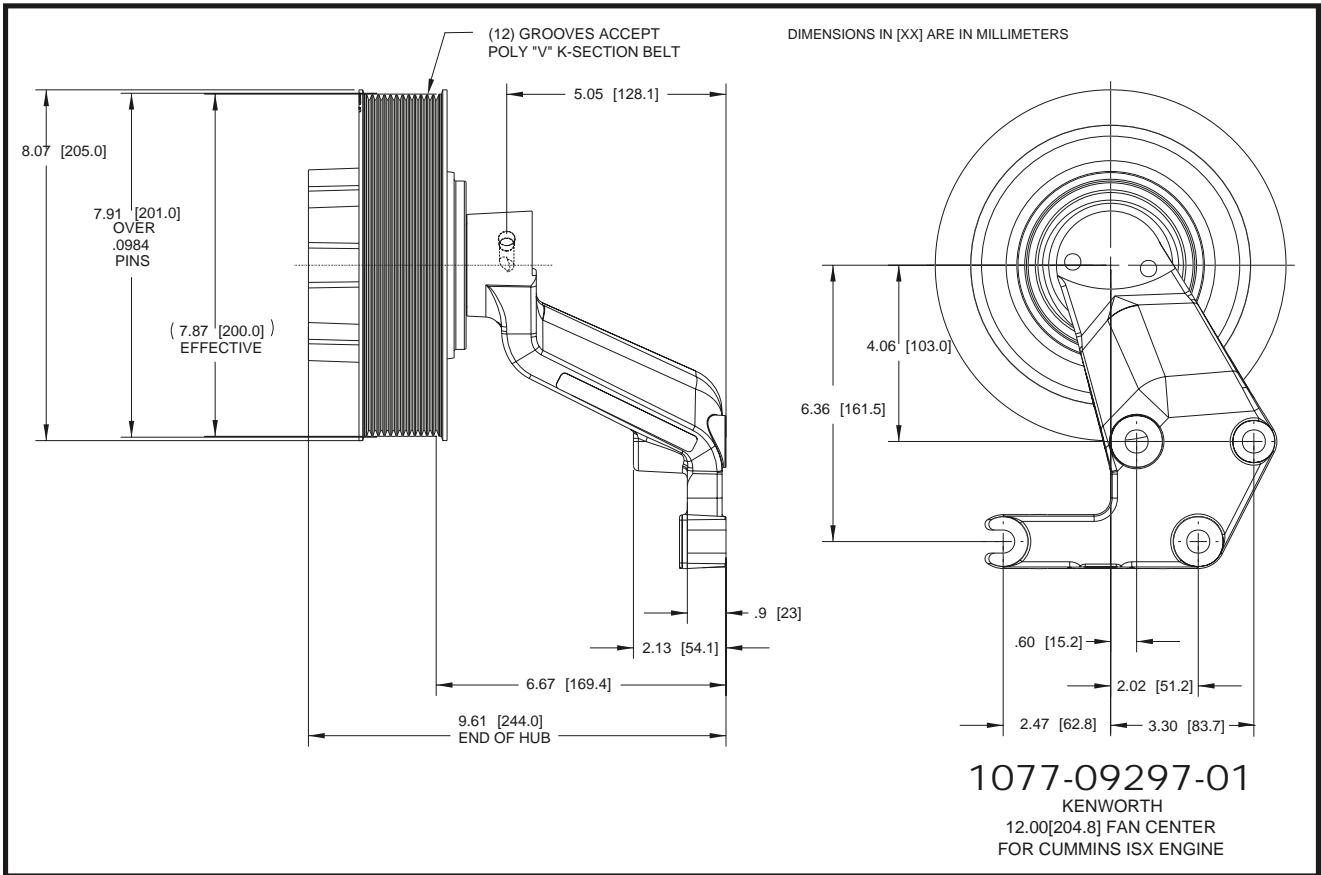
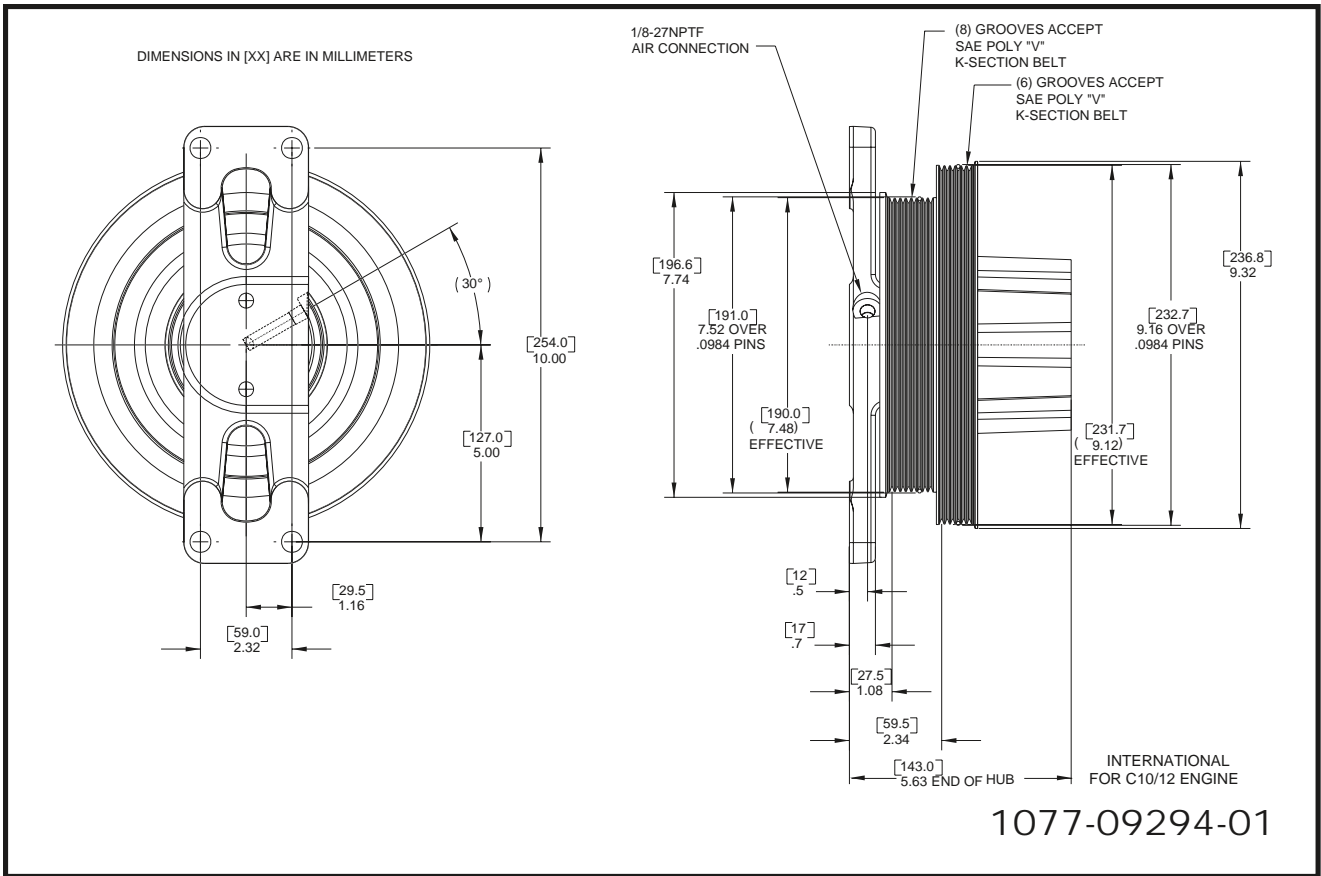


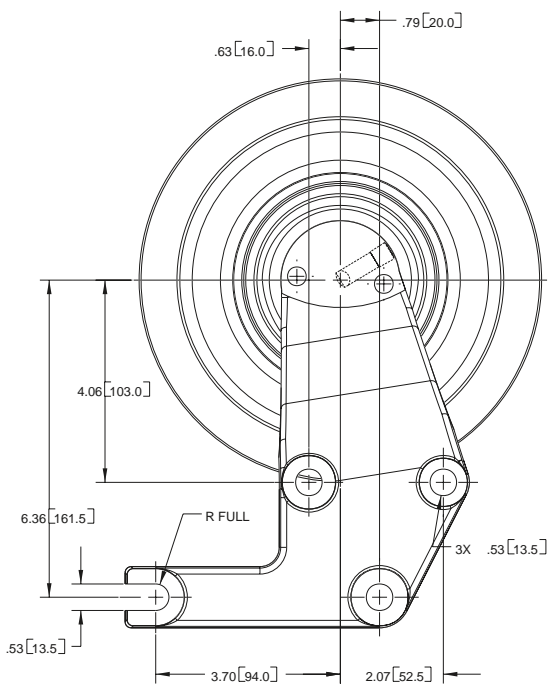






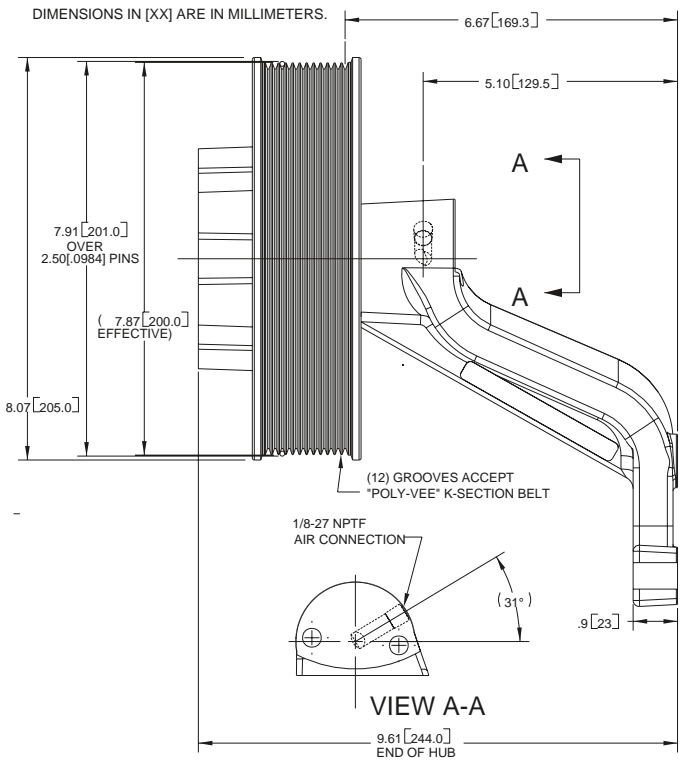






336 [13.23] FAN CENTER  
FOR CUMMINS SIGNATURE  
SERIES ENGINE

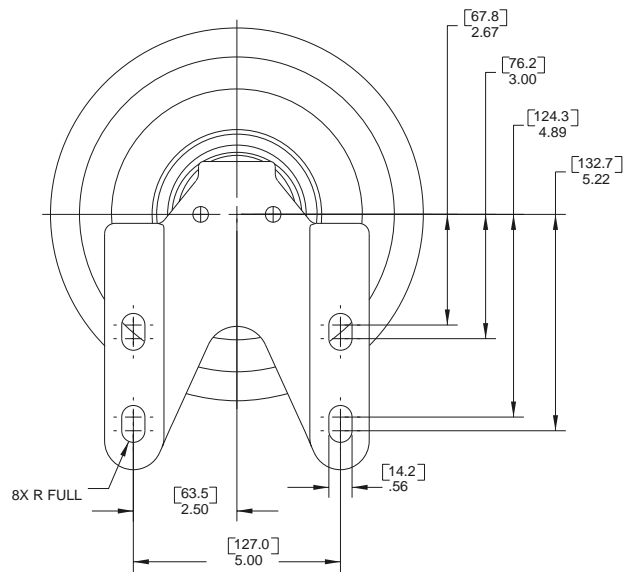
1077-09299-01



DIMENSIONS IN [XX] ARE IN MILLIMETERS.

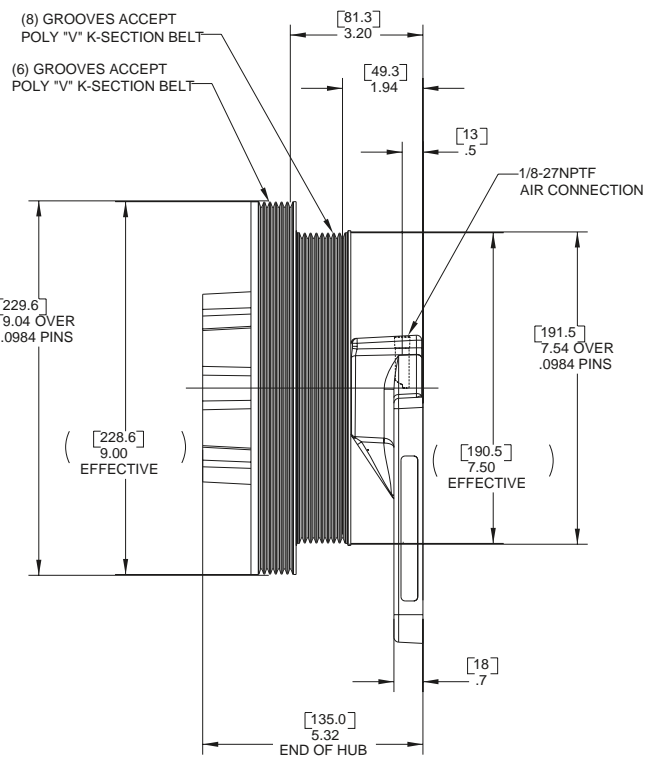
VIEW A-A

9.61 [244.0]  
END OF HUB



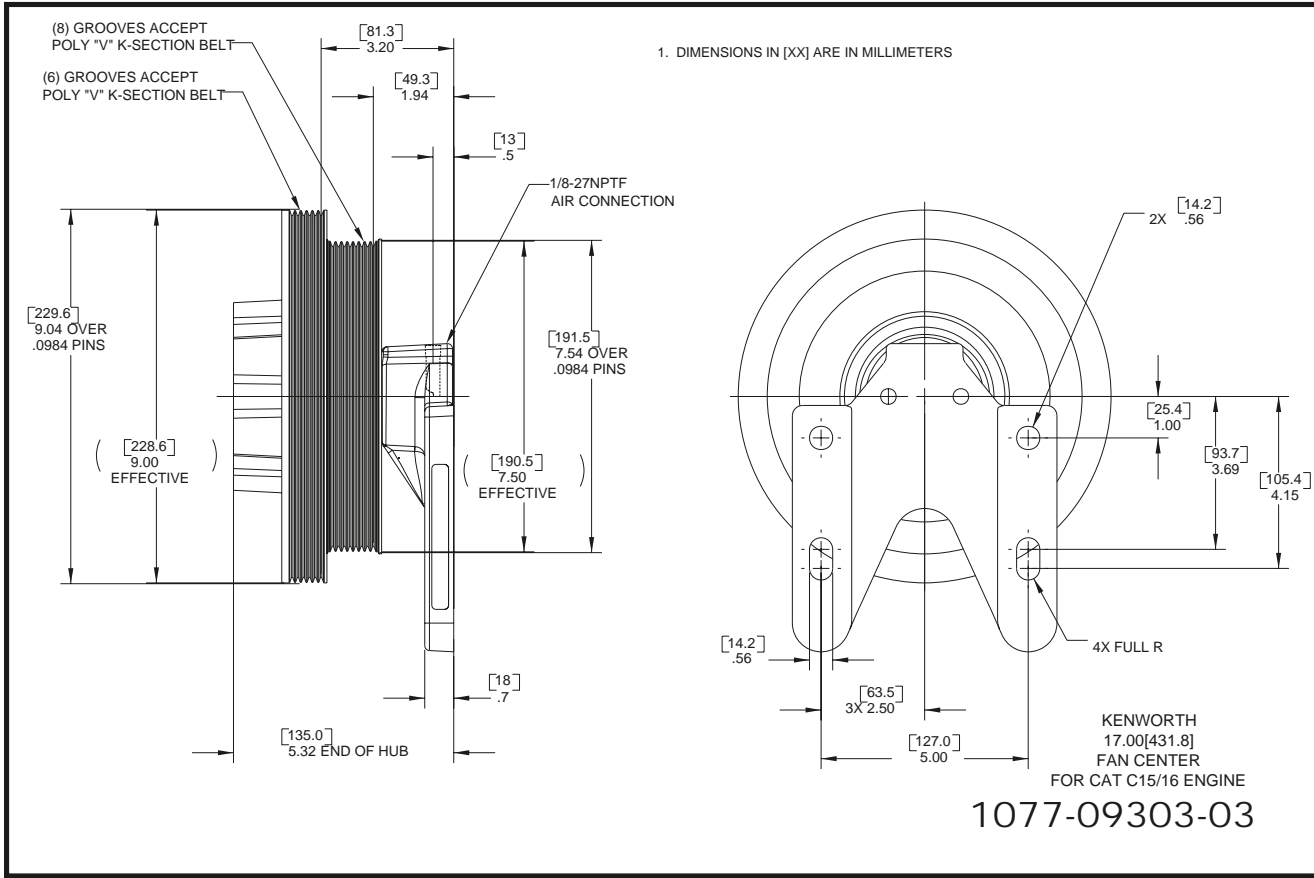
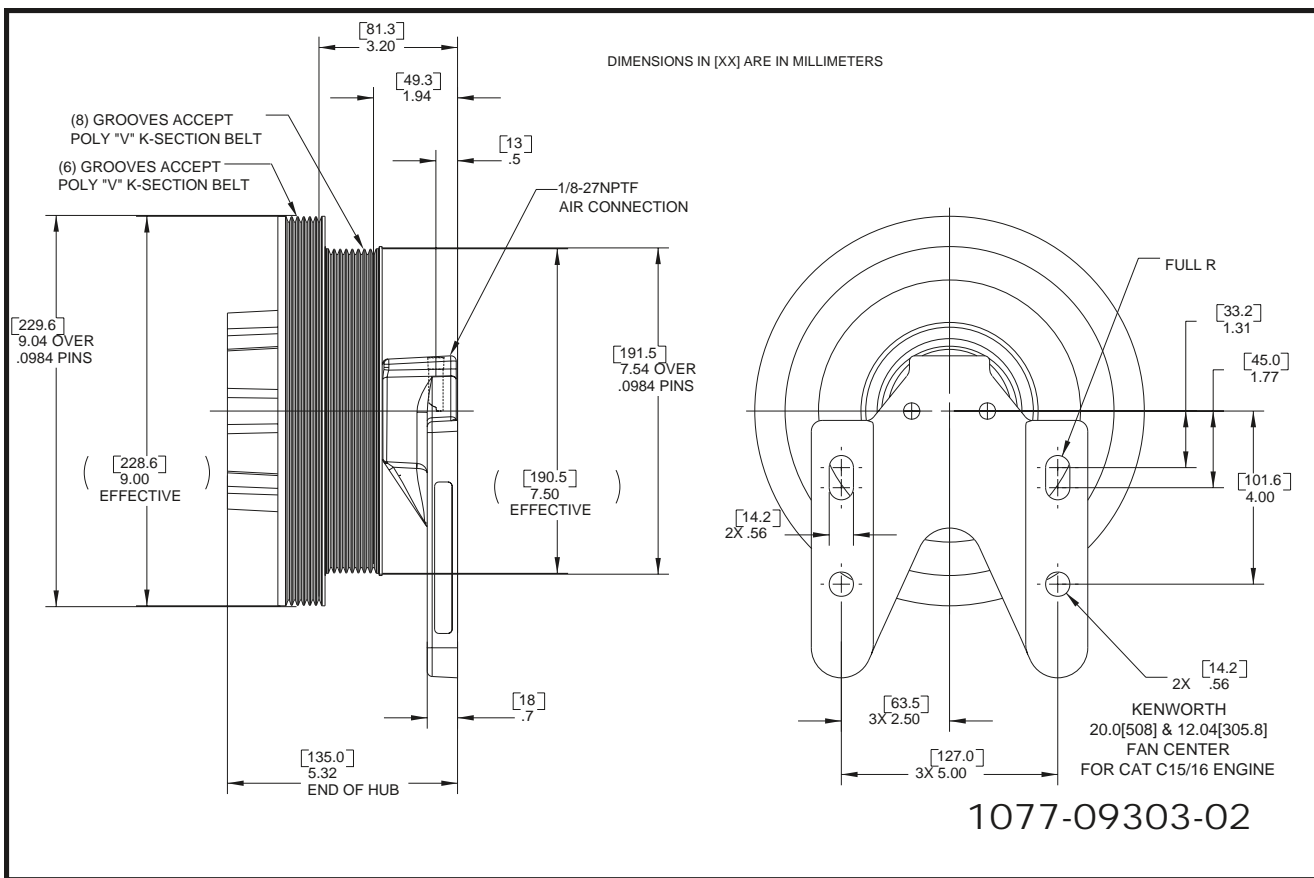
KENWORTH  
20.9[530.86] & 13.00[330.2]  
FAN CENTER  
FOR CAT C15/16 ENGINE

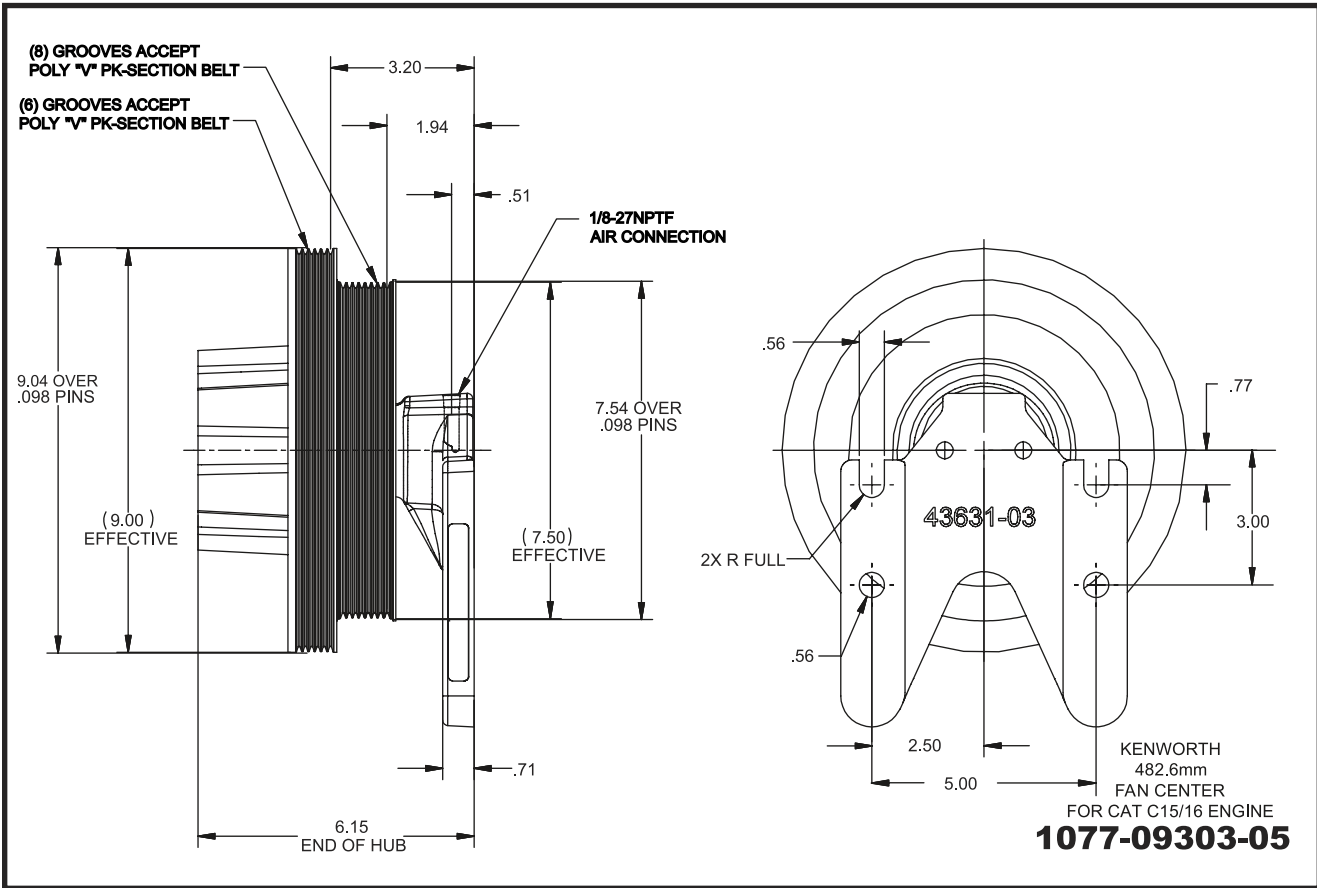
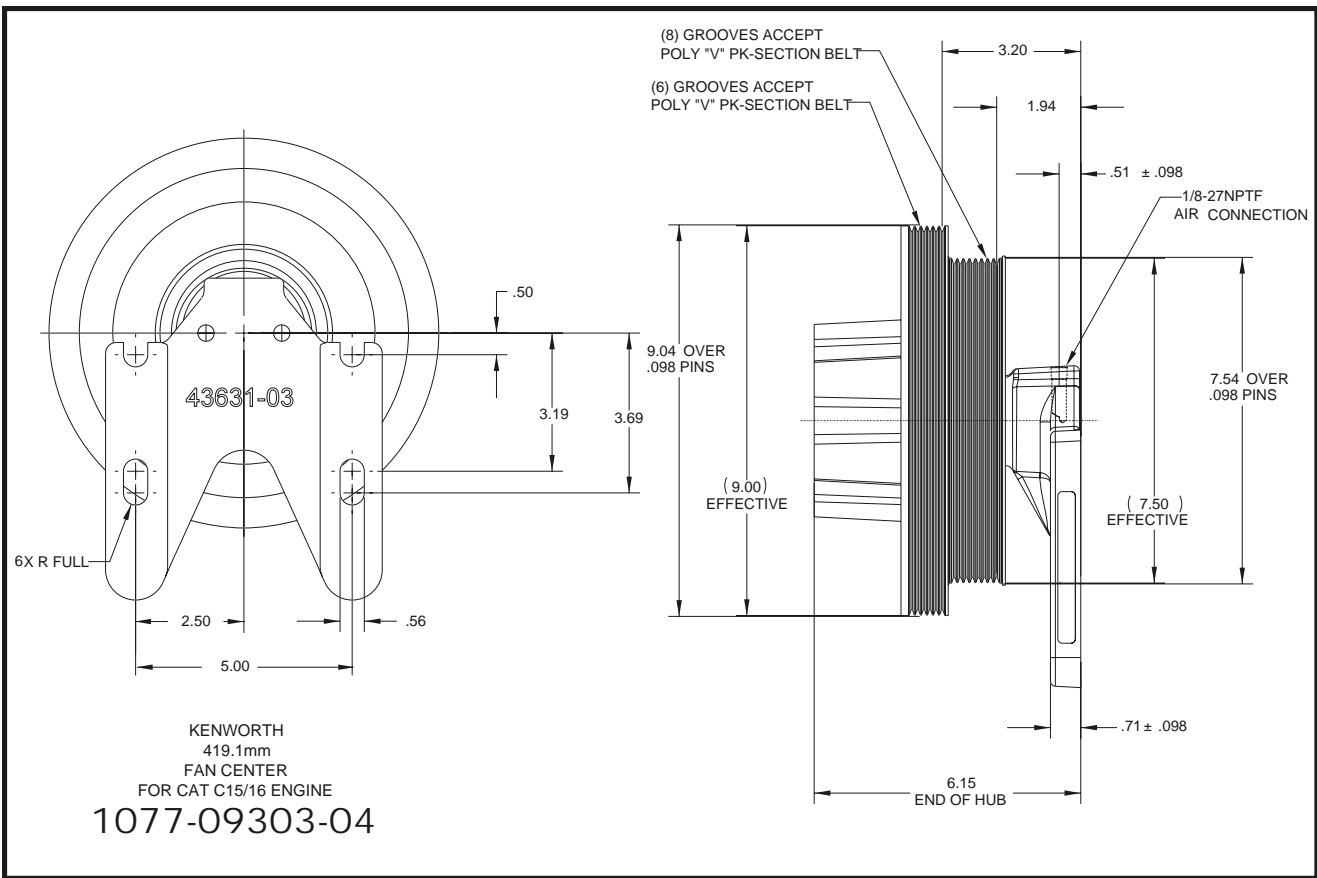
1077-09303-01

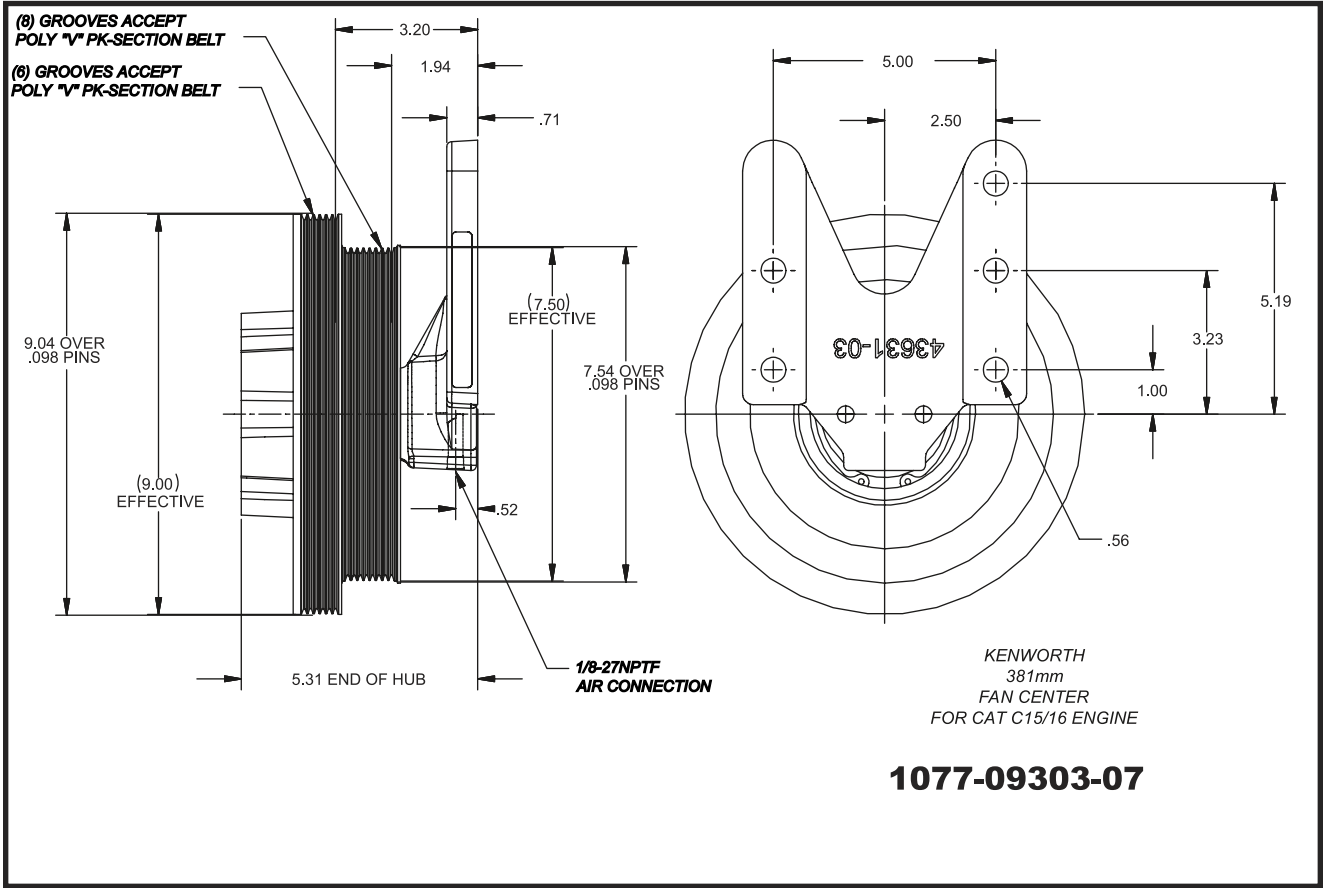
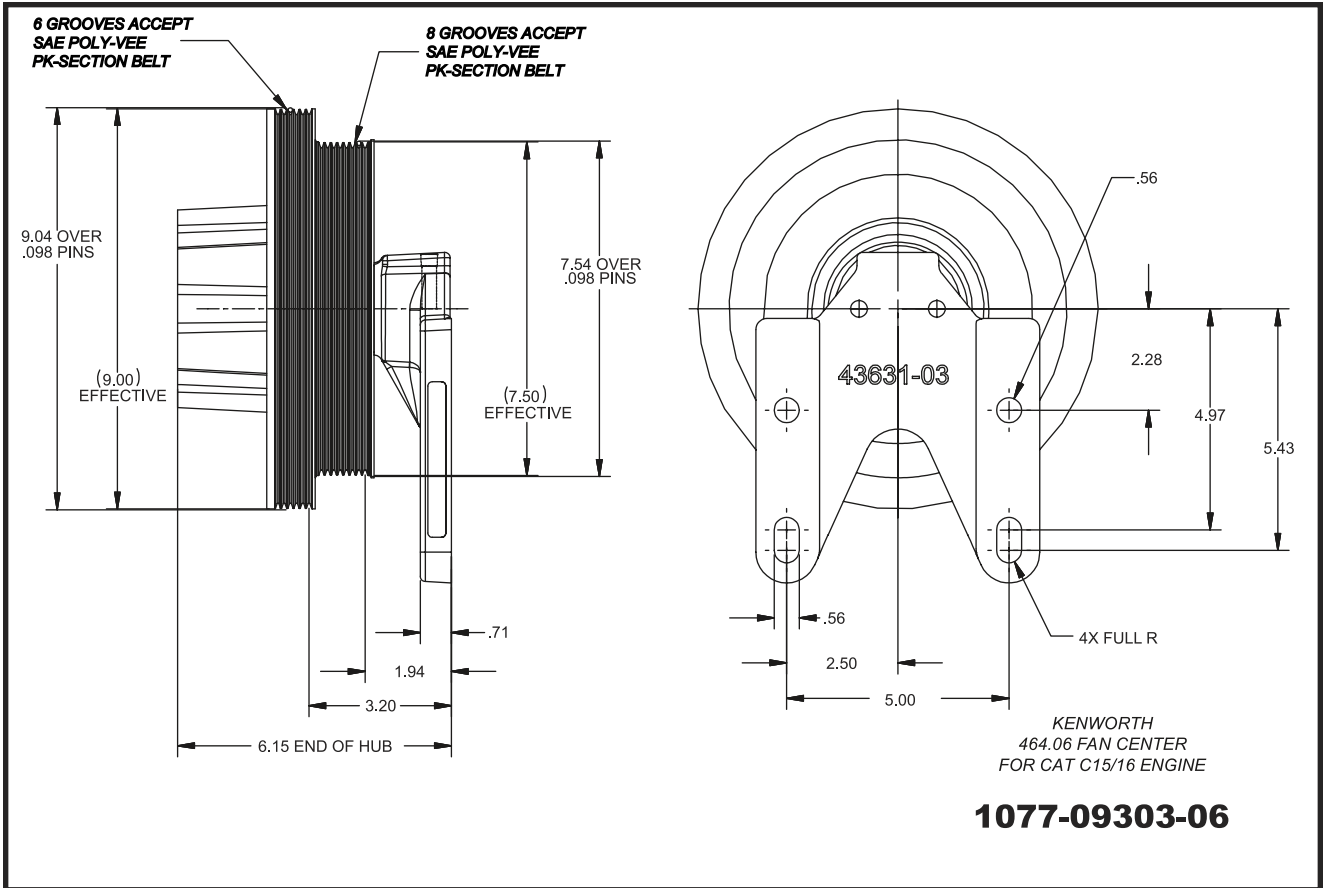


DIMENSIONS IN [XX] ARE IN MILLIMETERS.

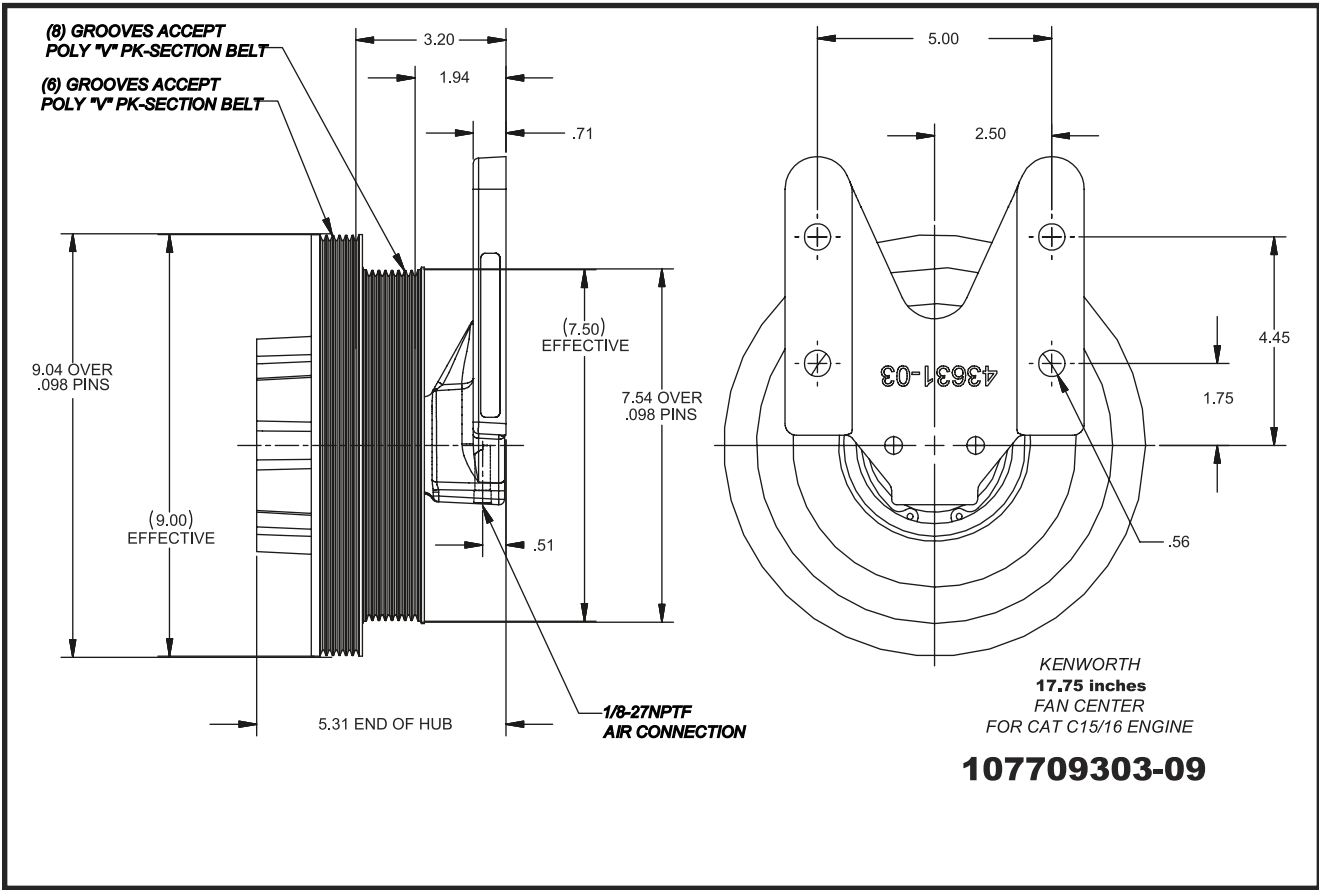
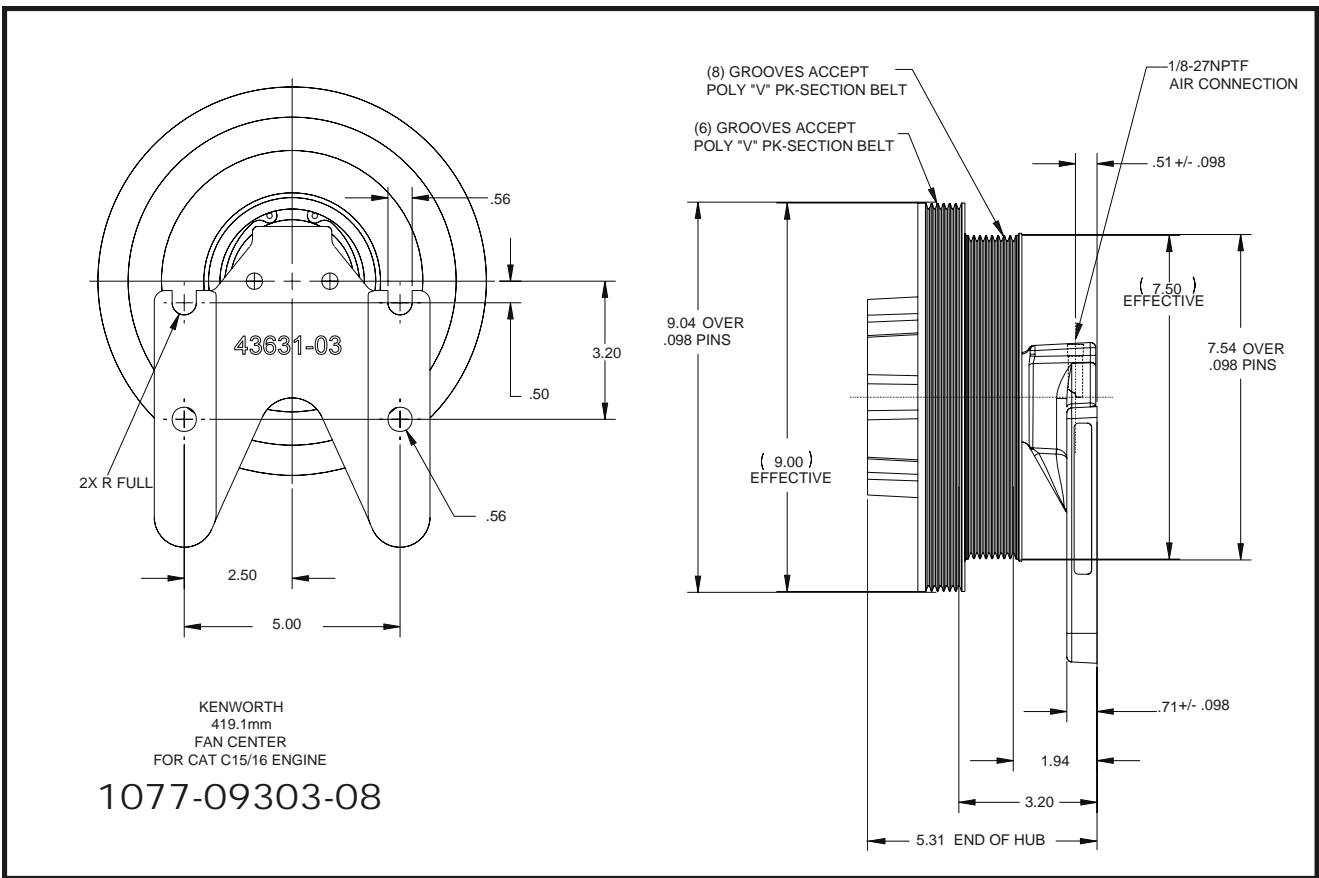
DIMENSIONS IN [XX] ARE IN MILLIMETERS

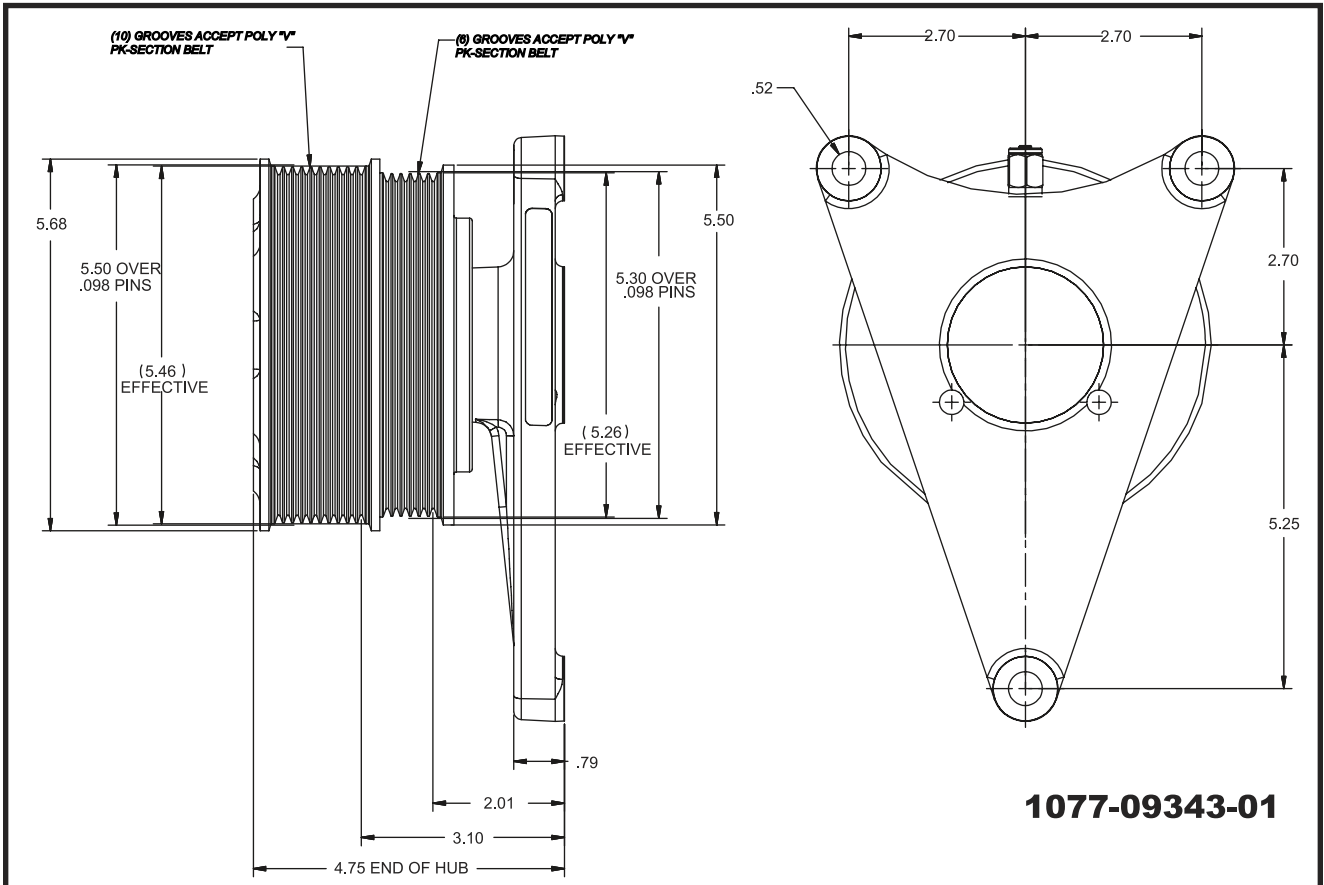
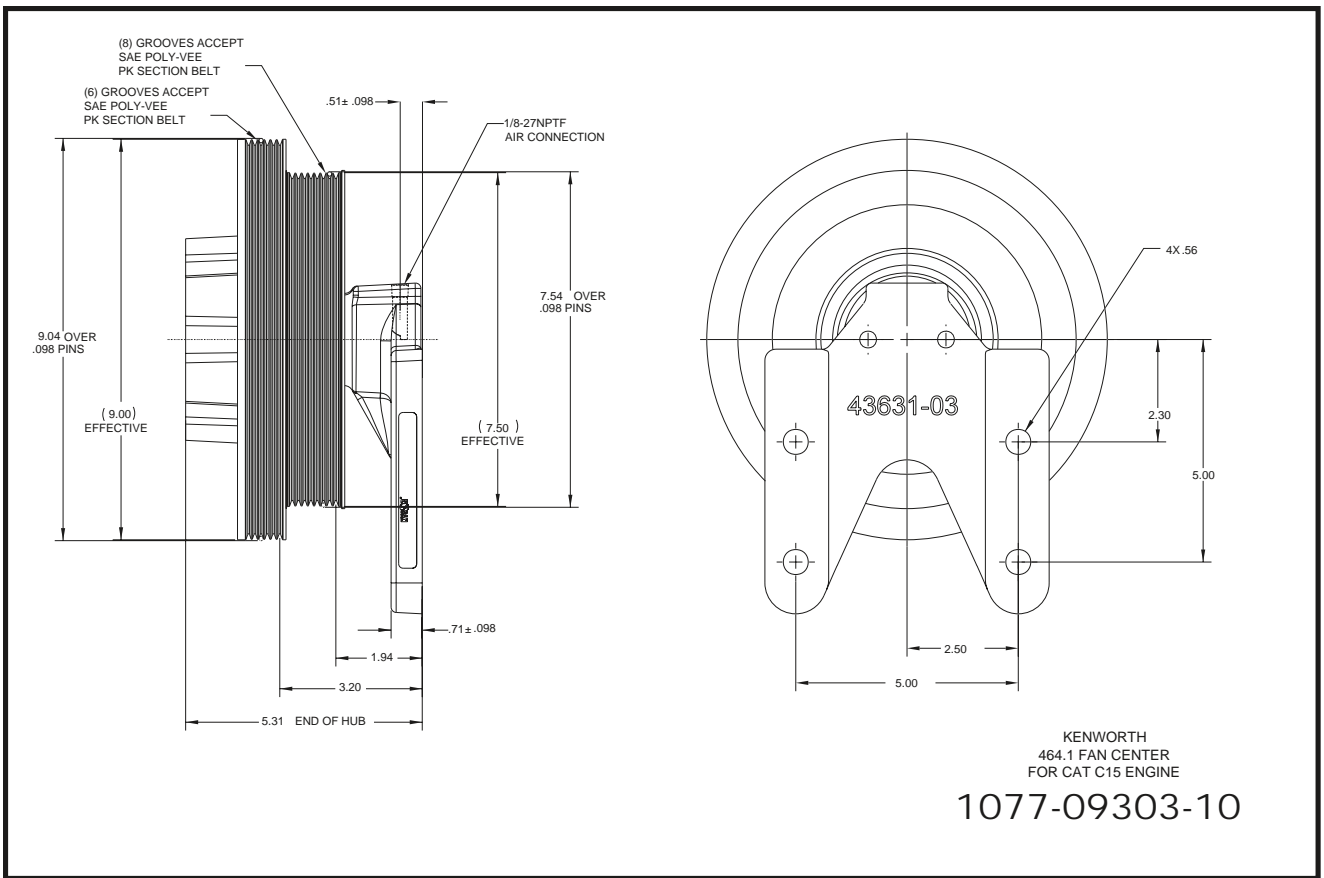


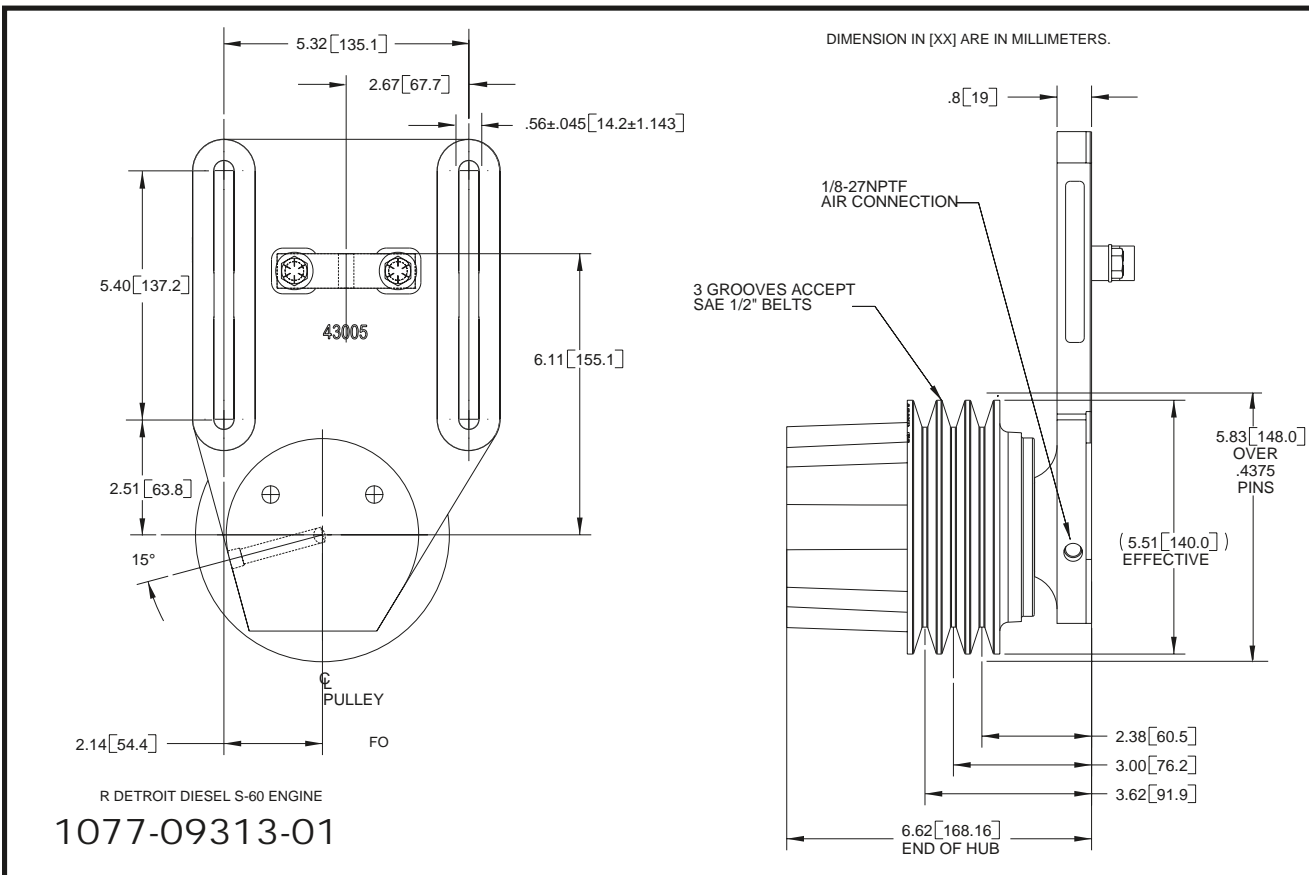
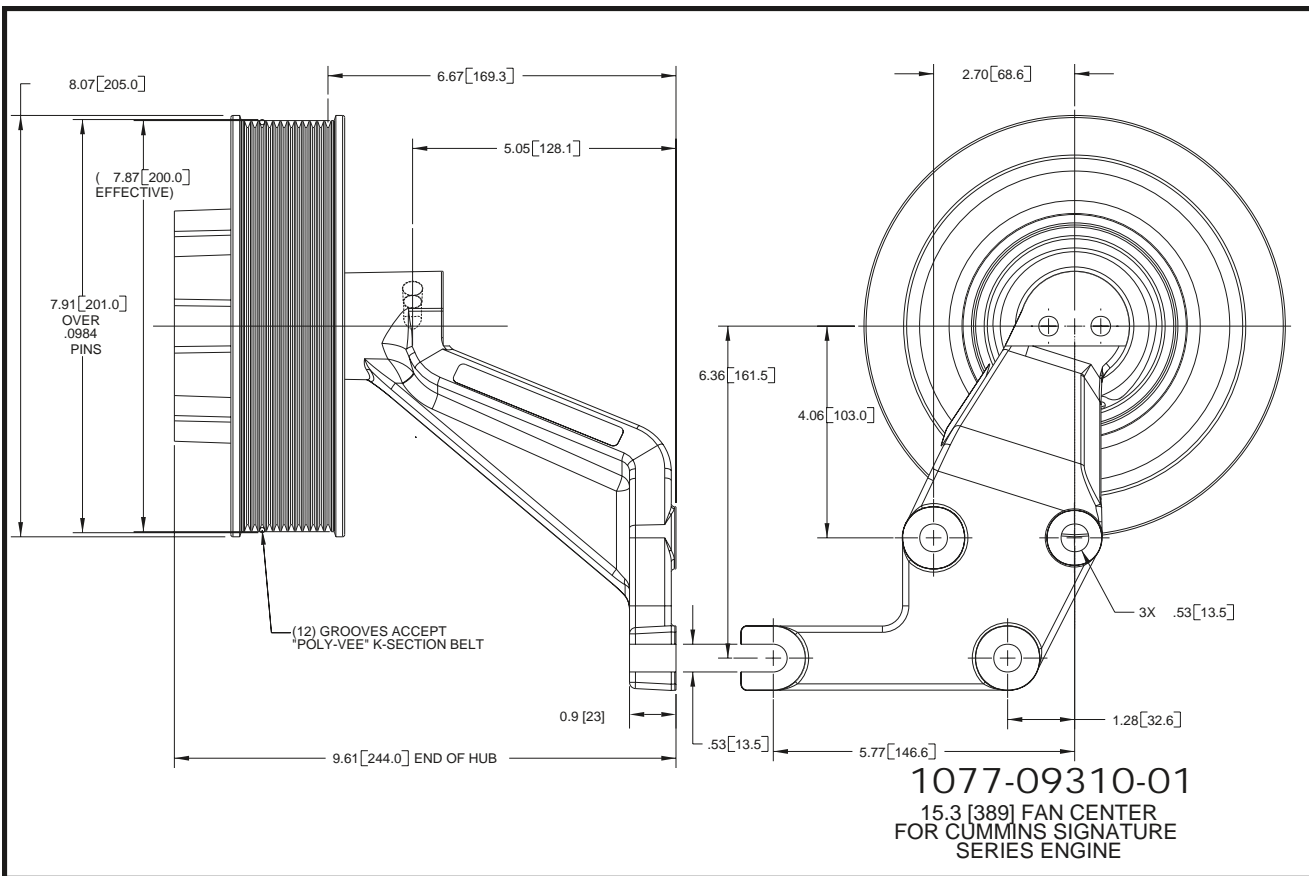


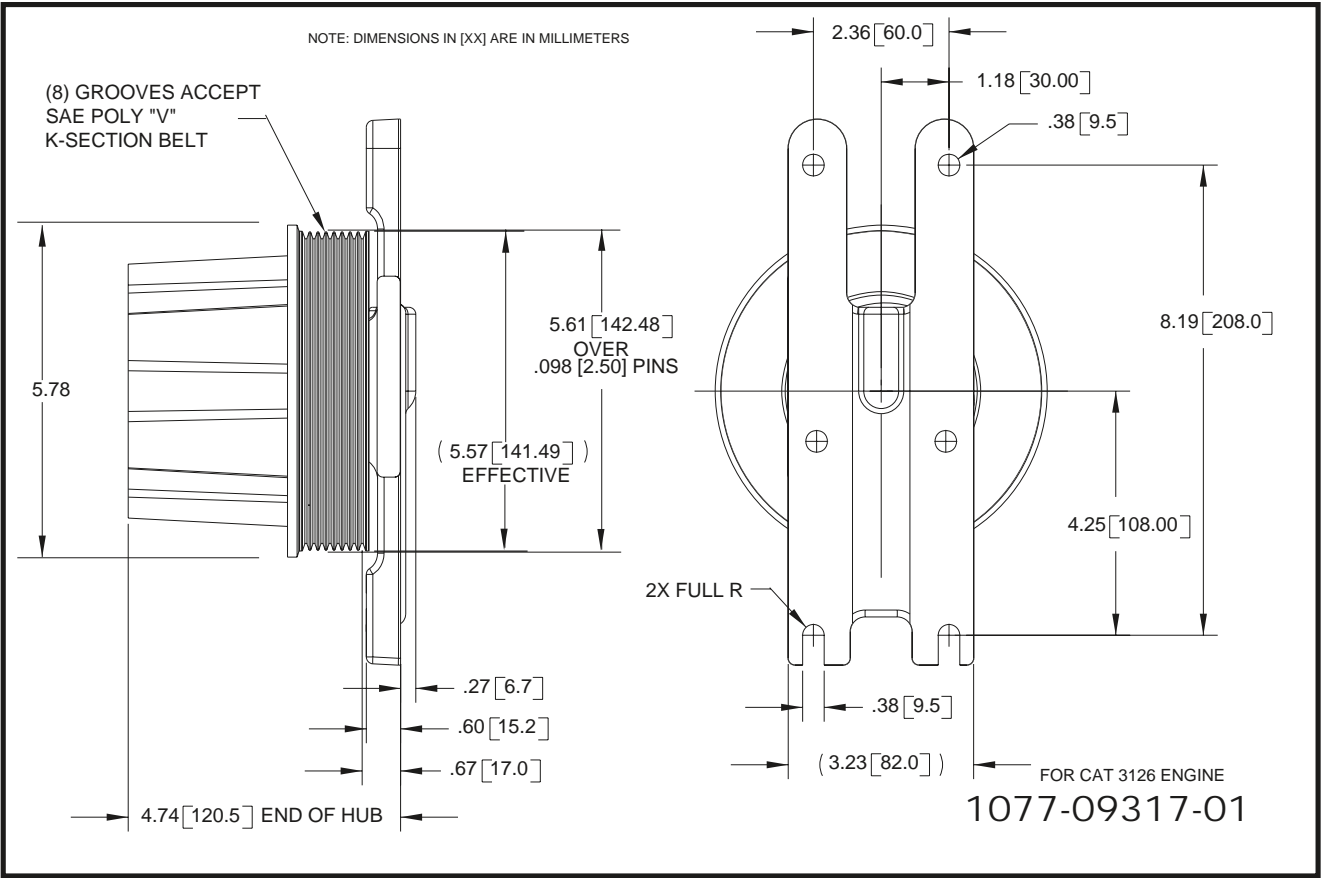
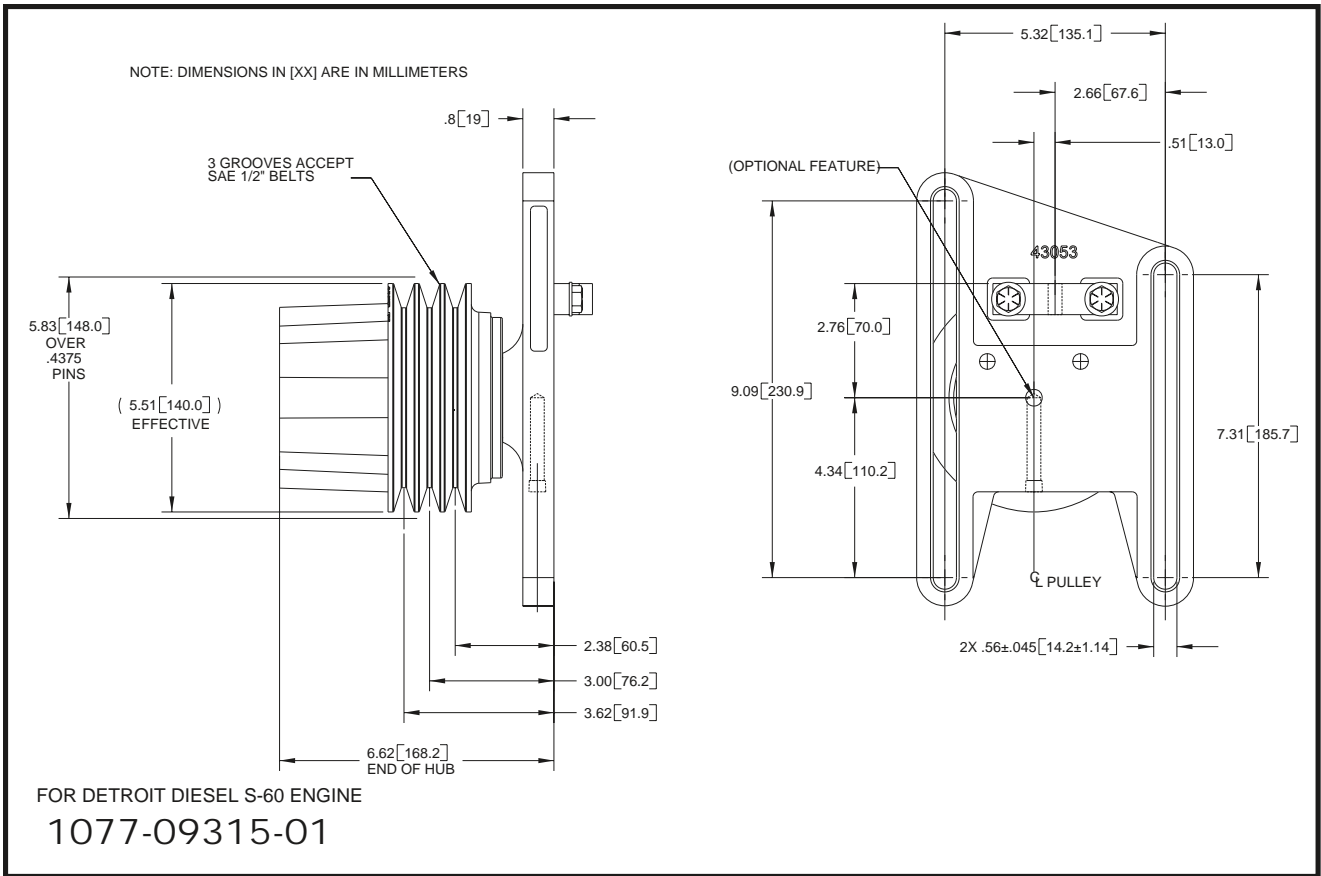


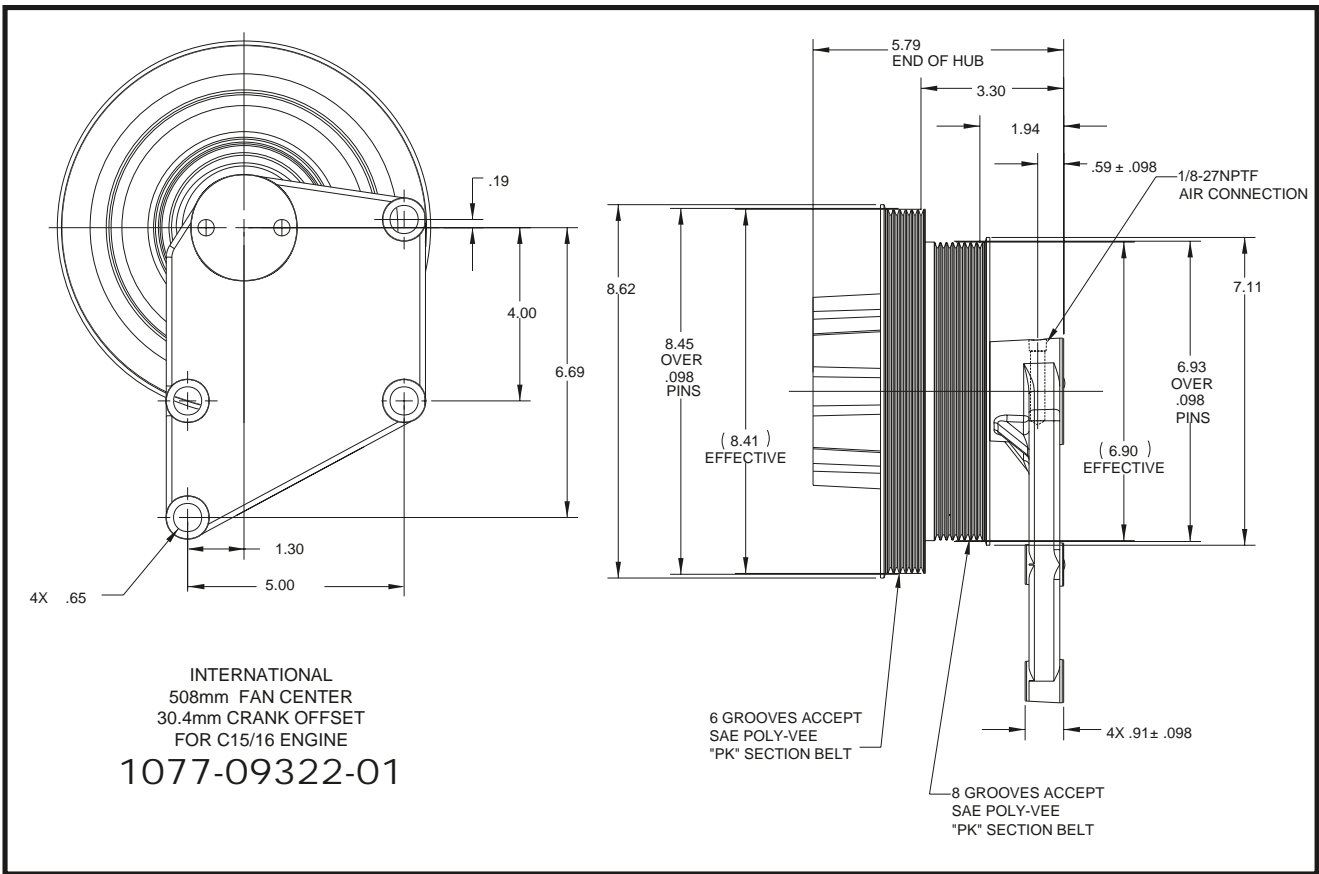
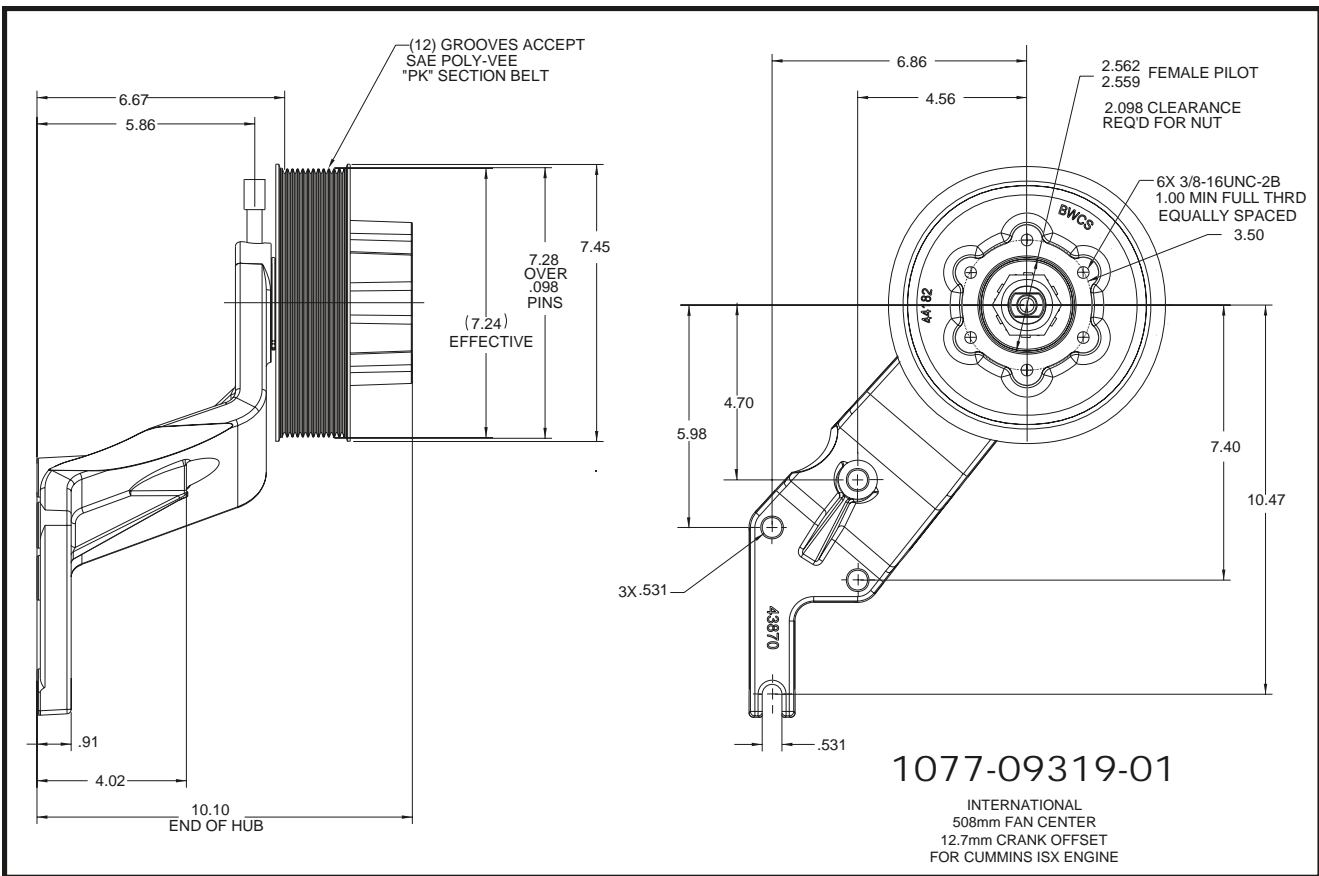


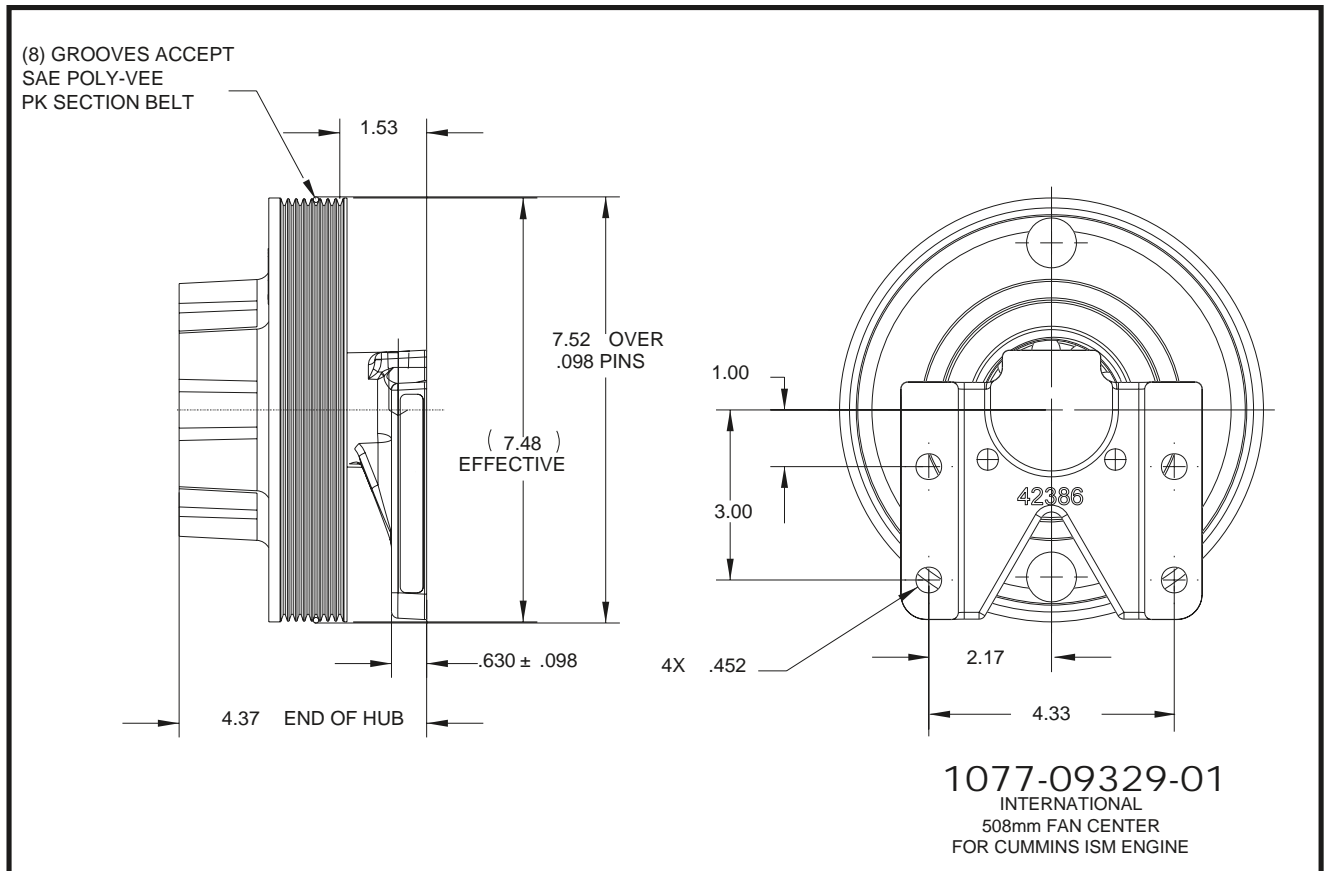
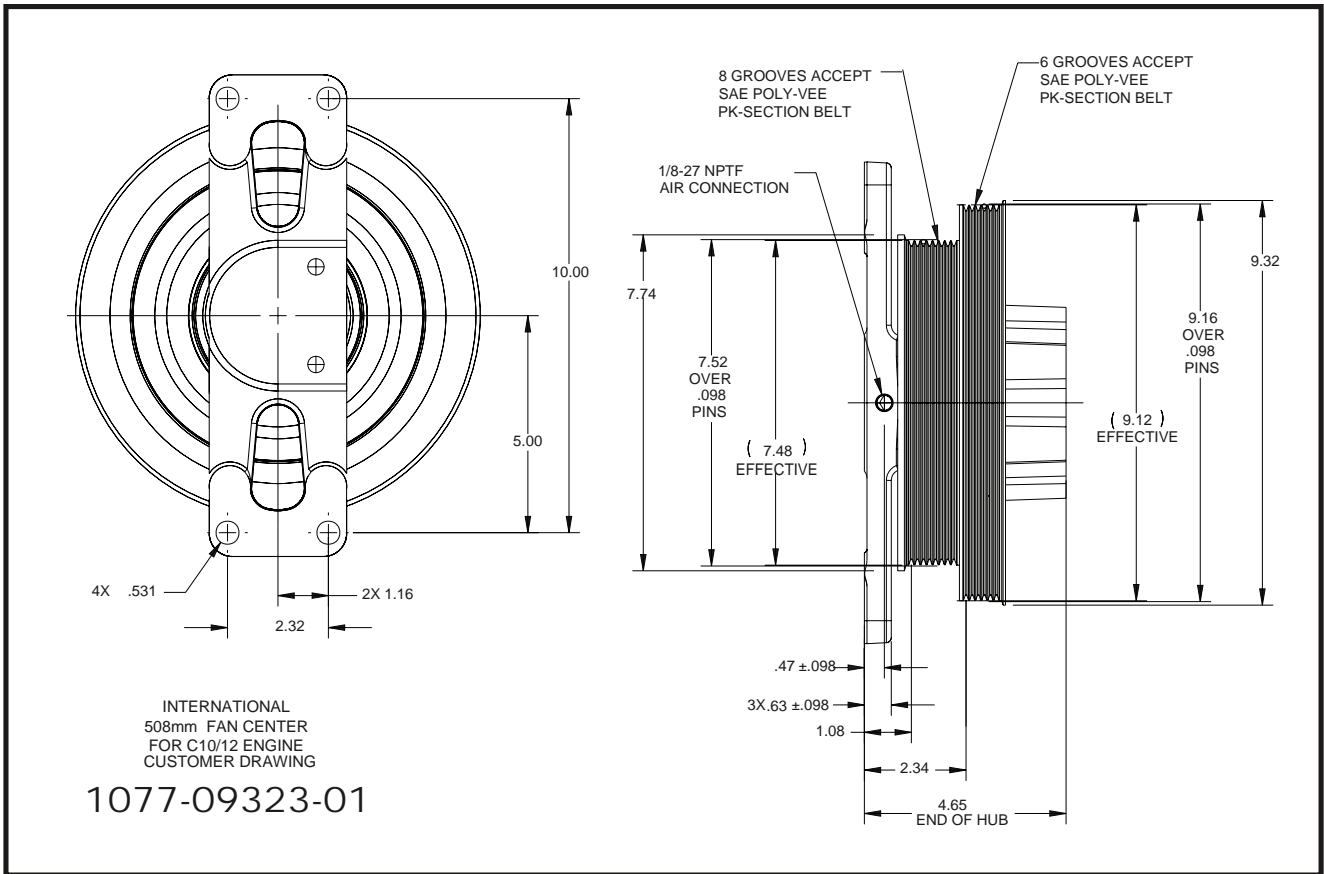


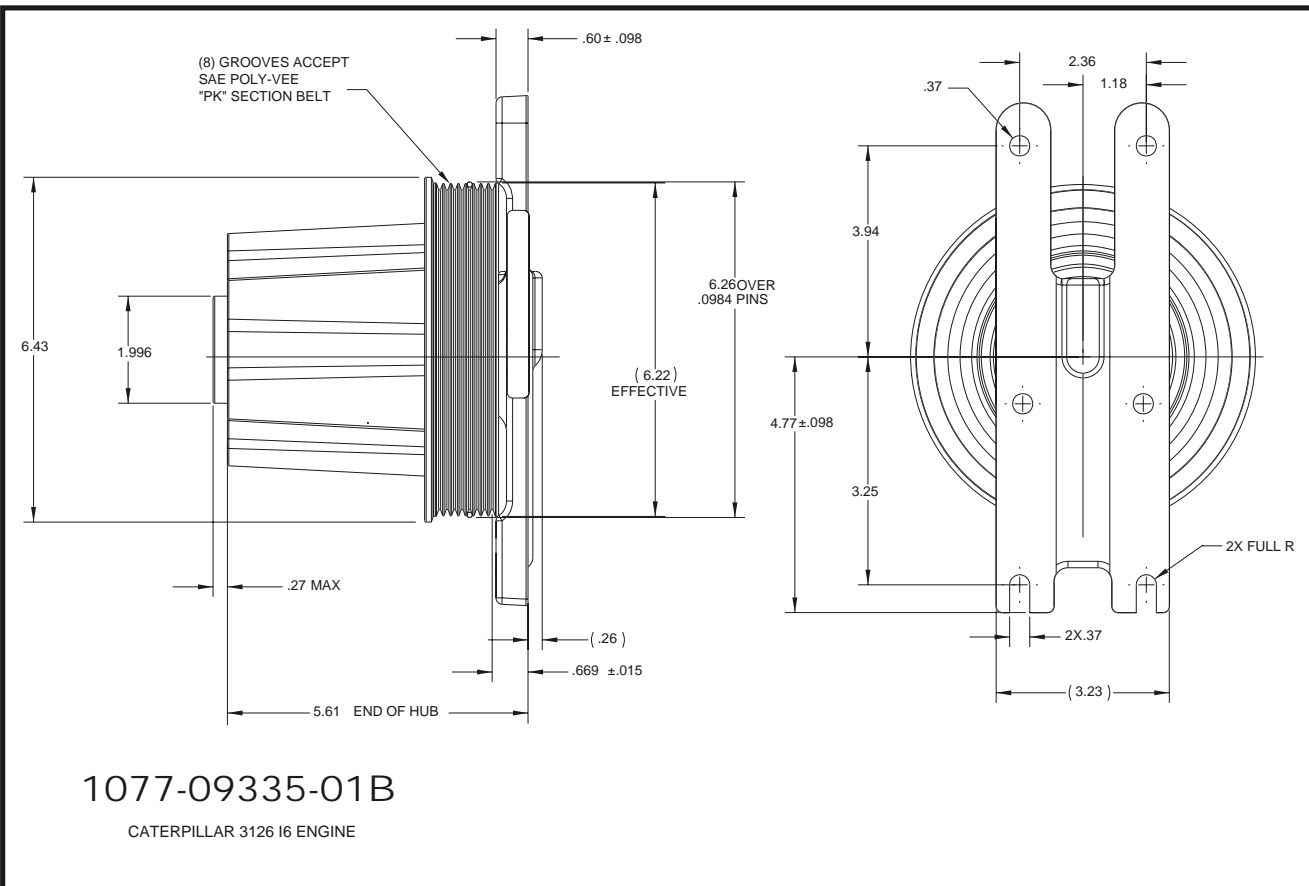
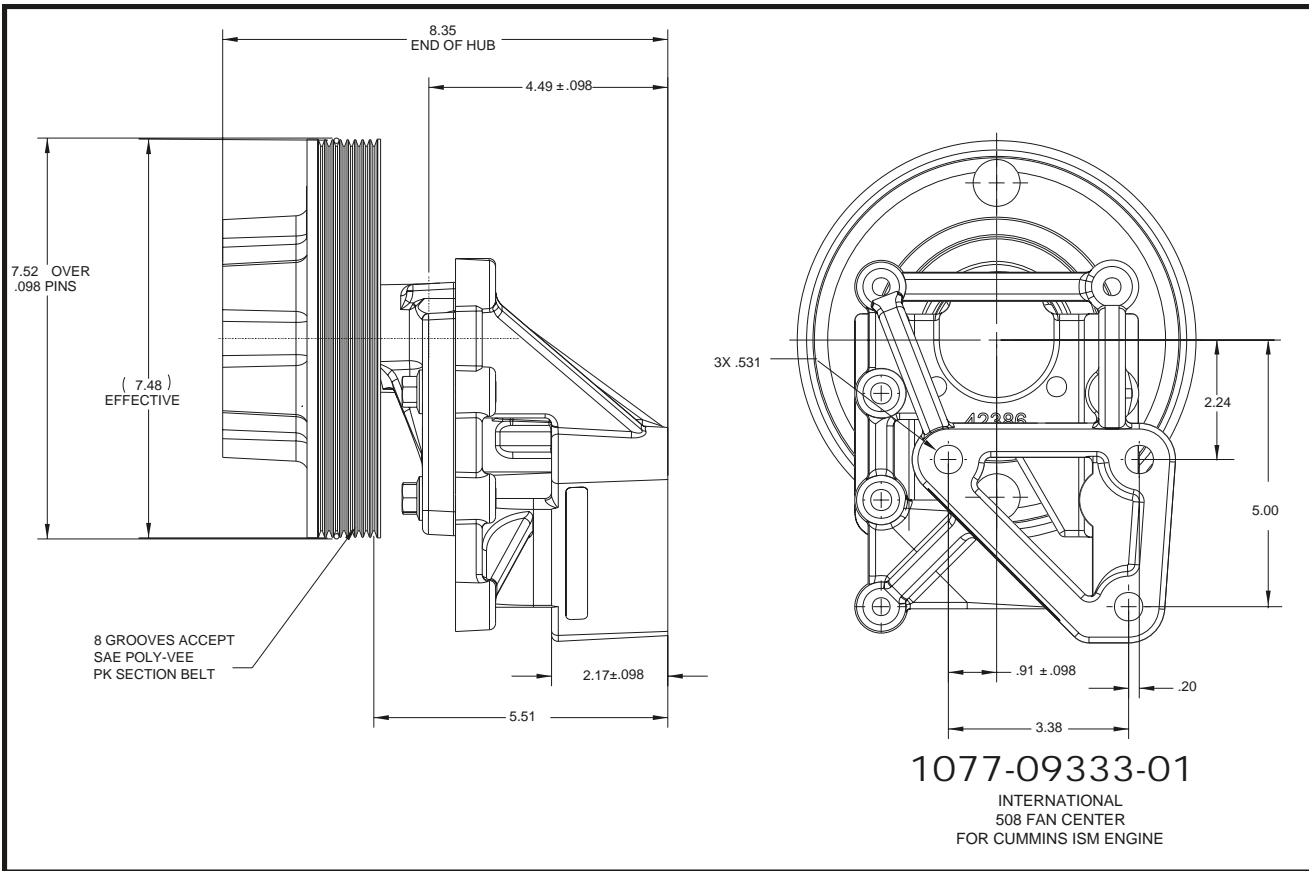


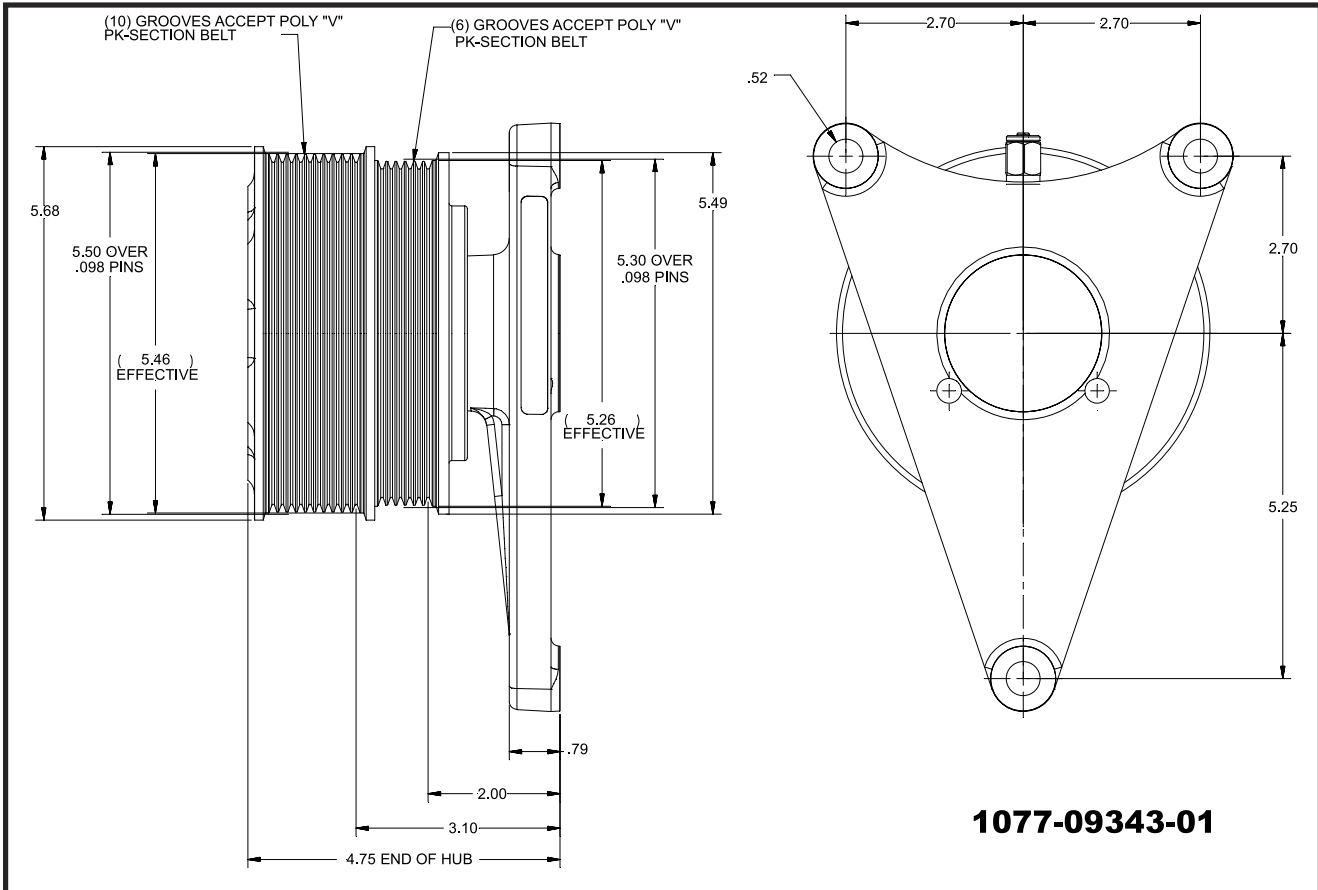
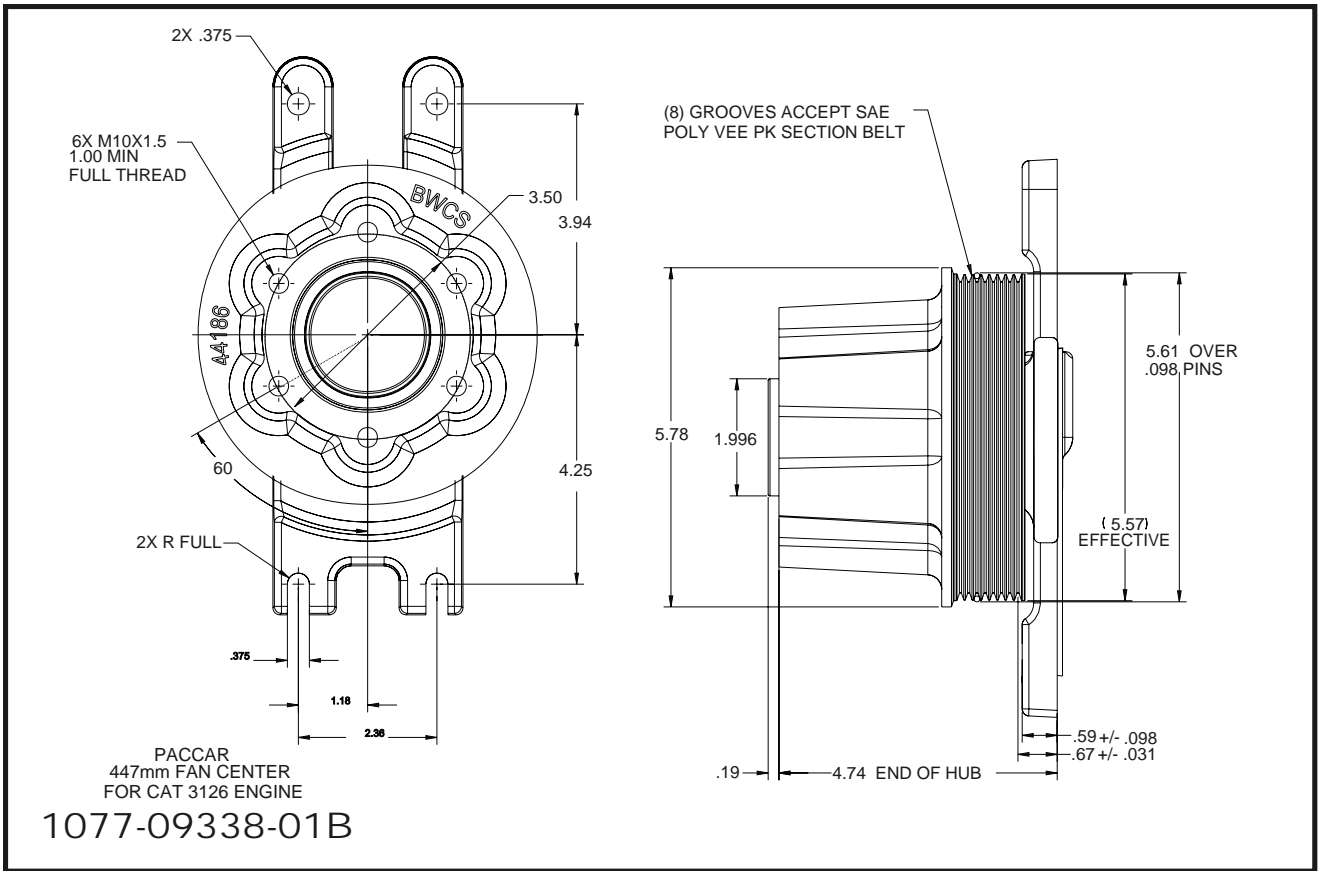




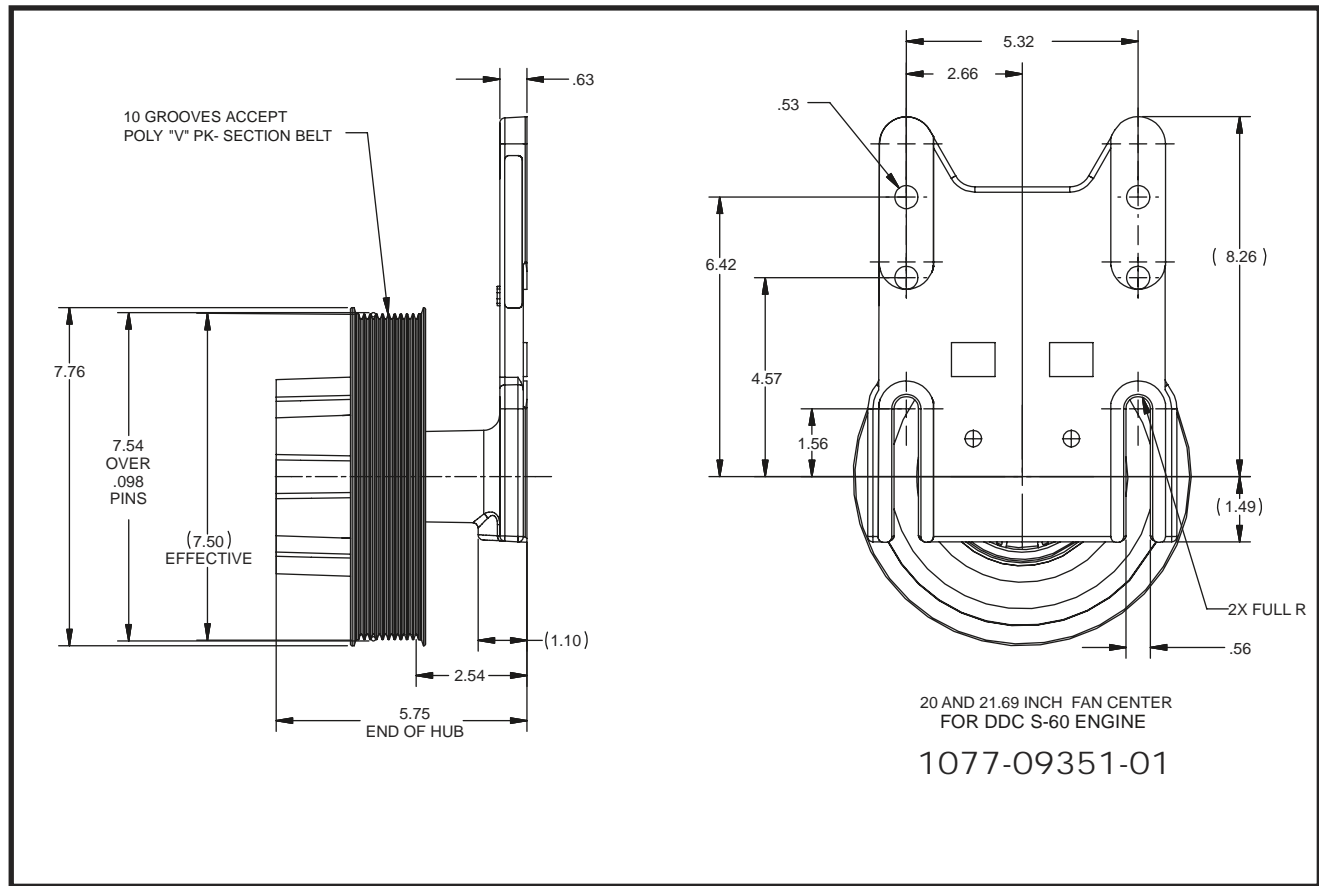
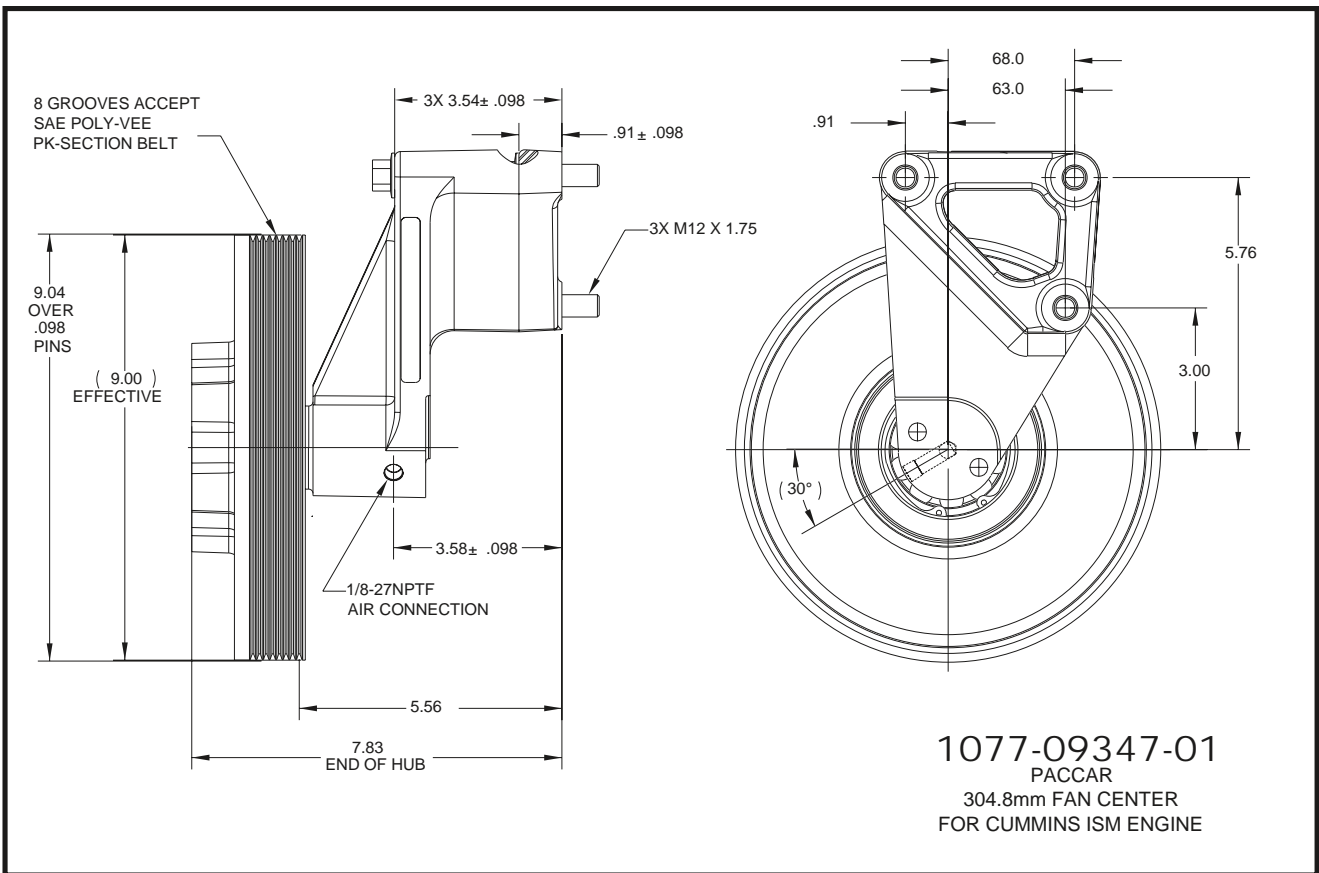


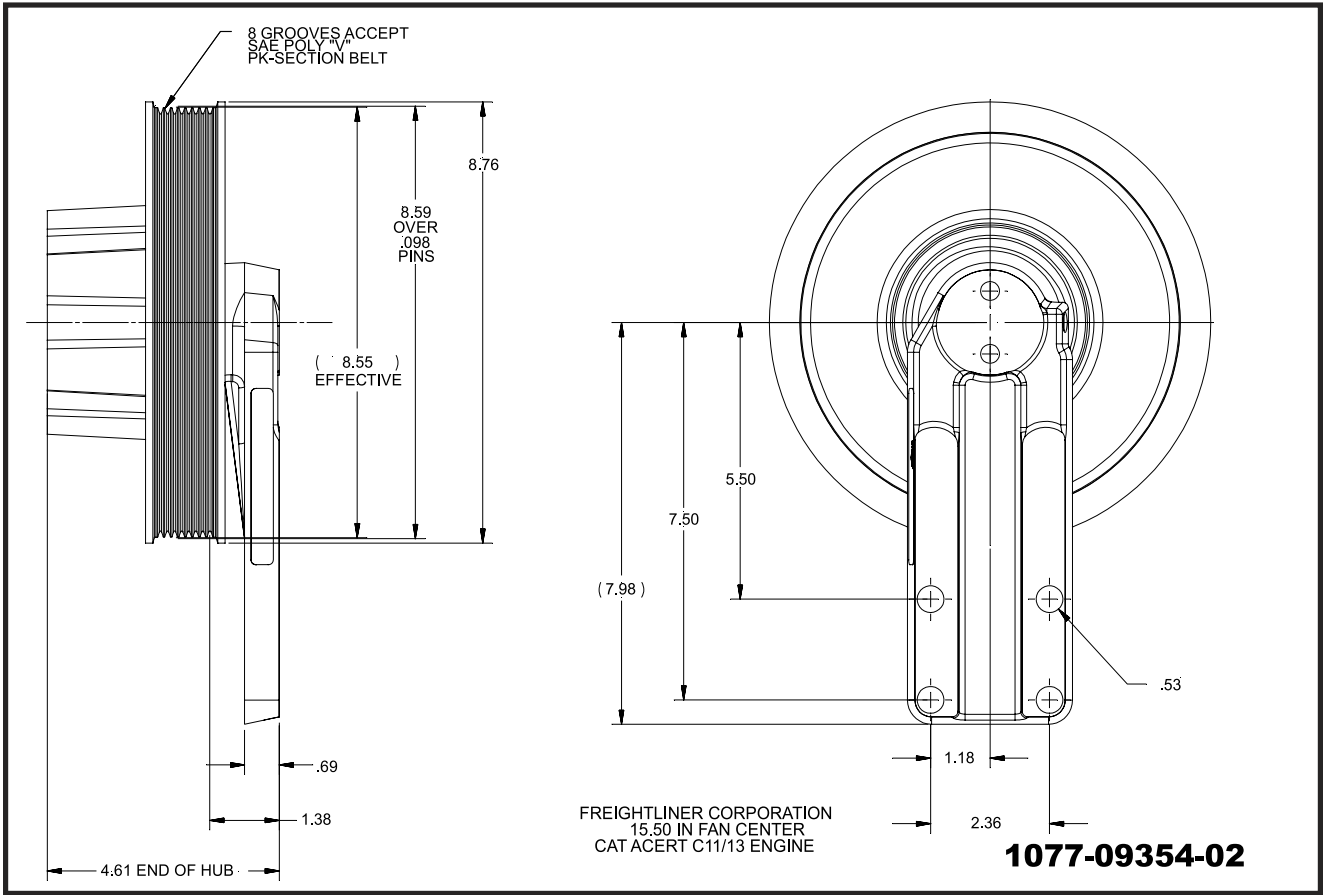
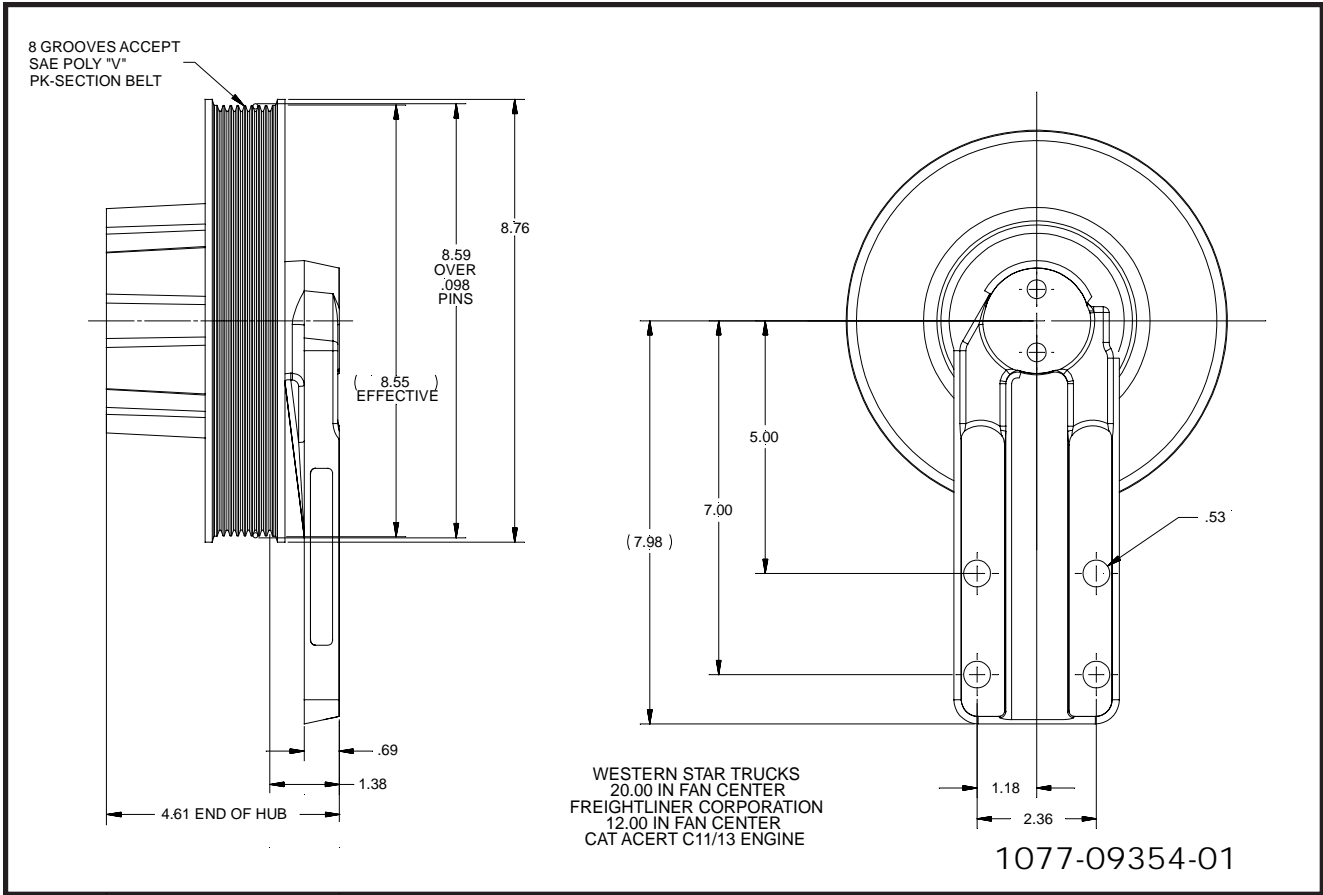


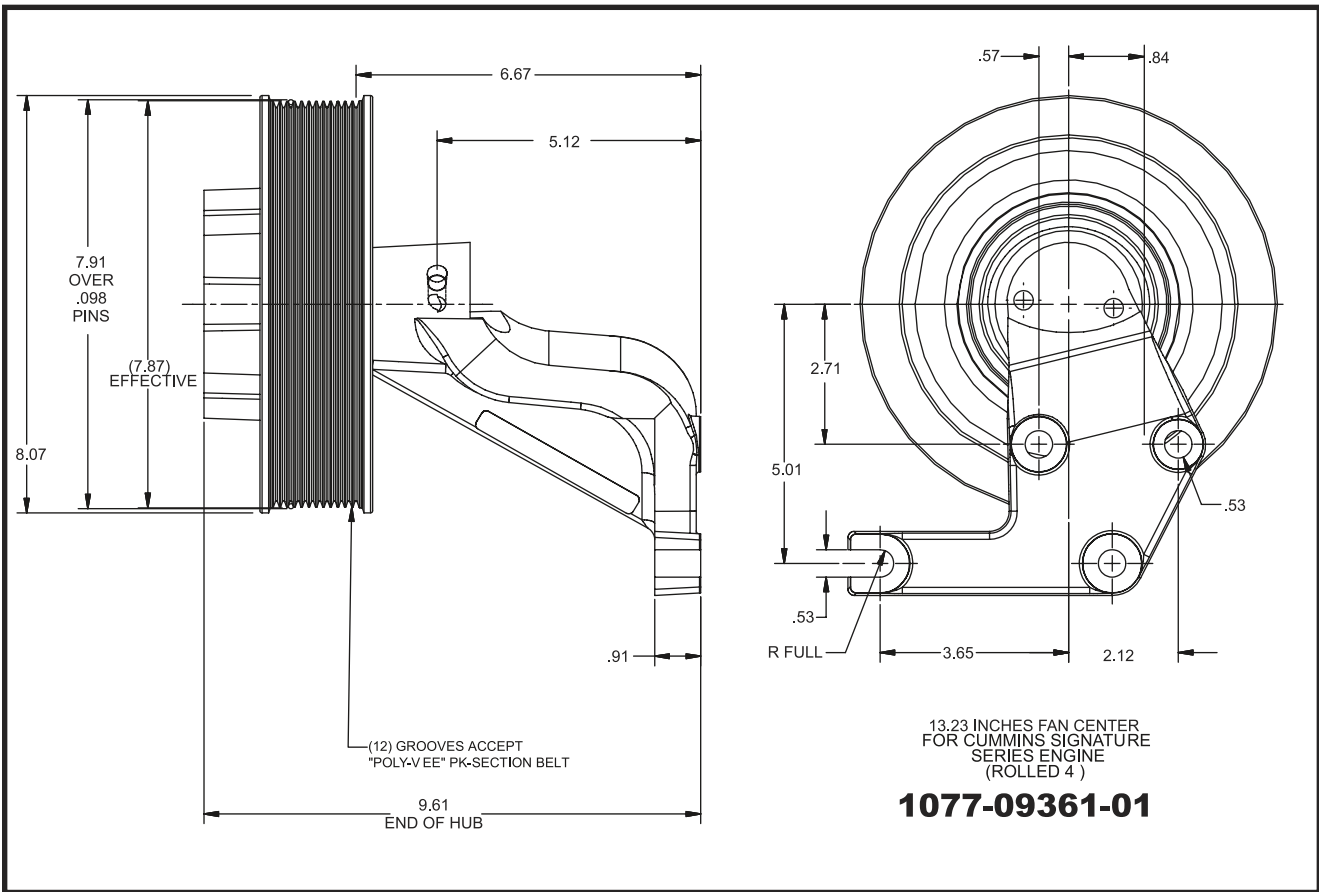
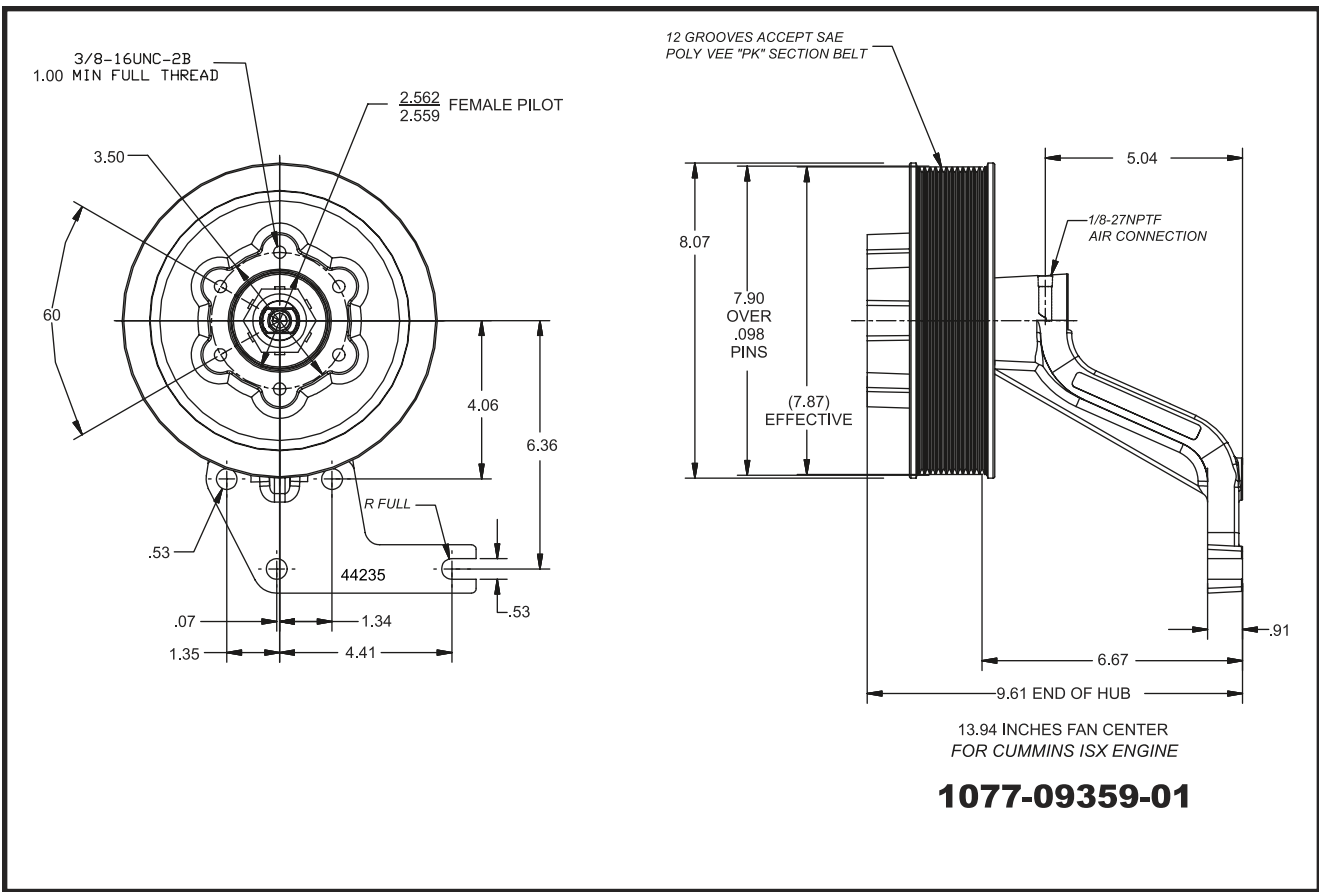


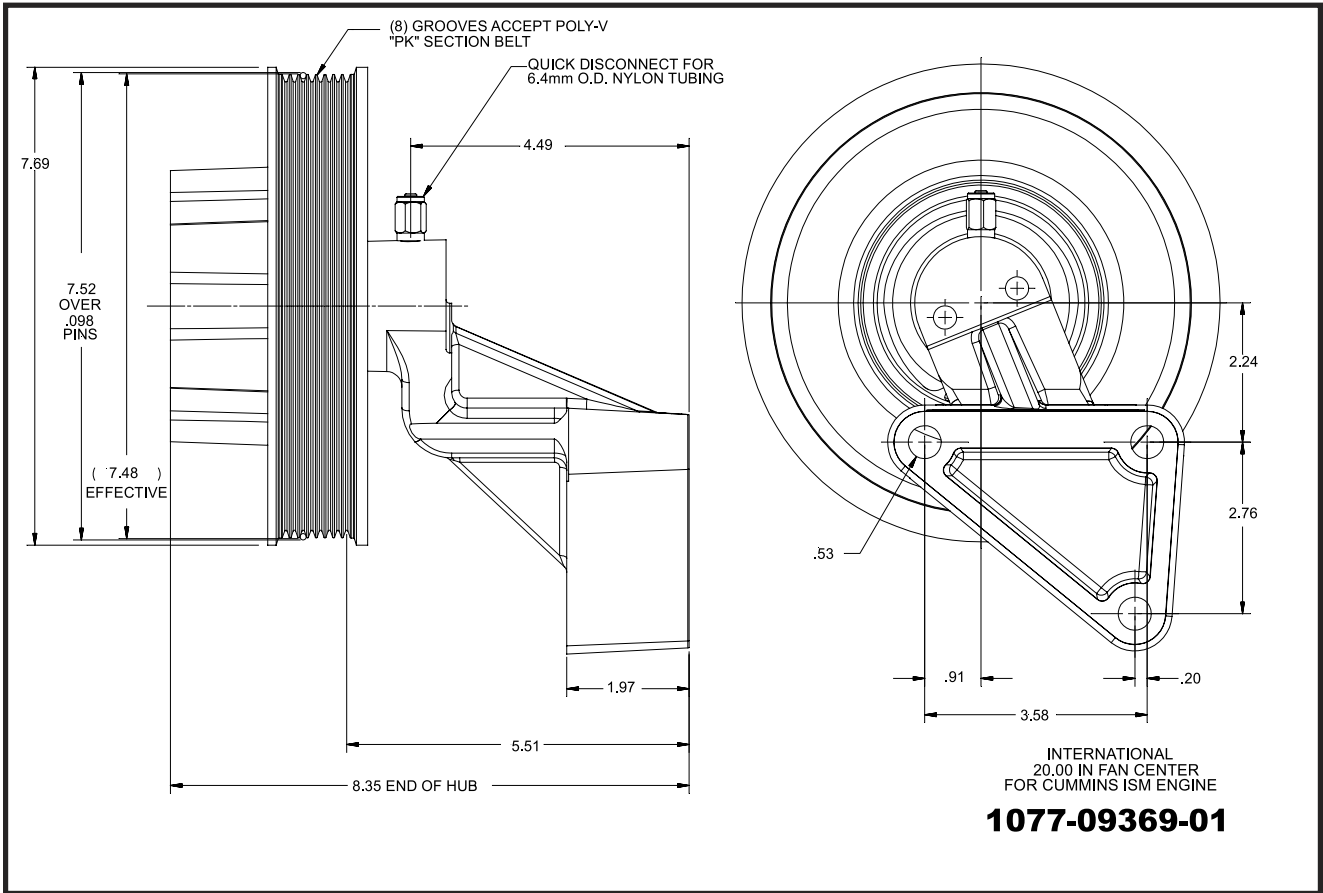
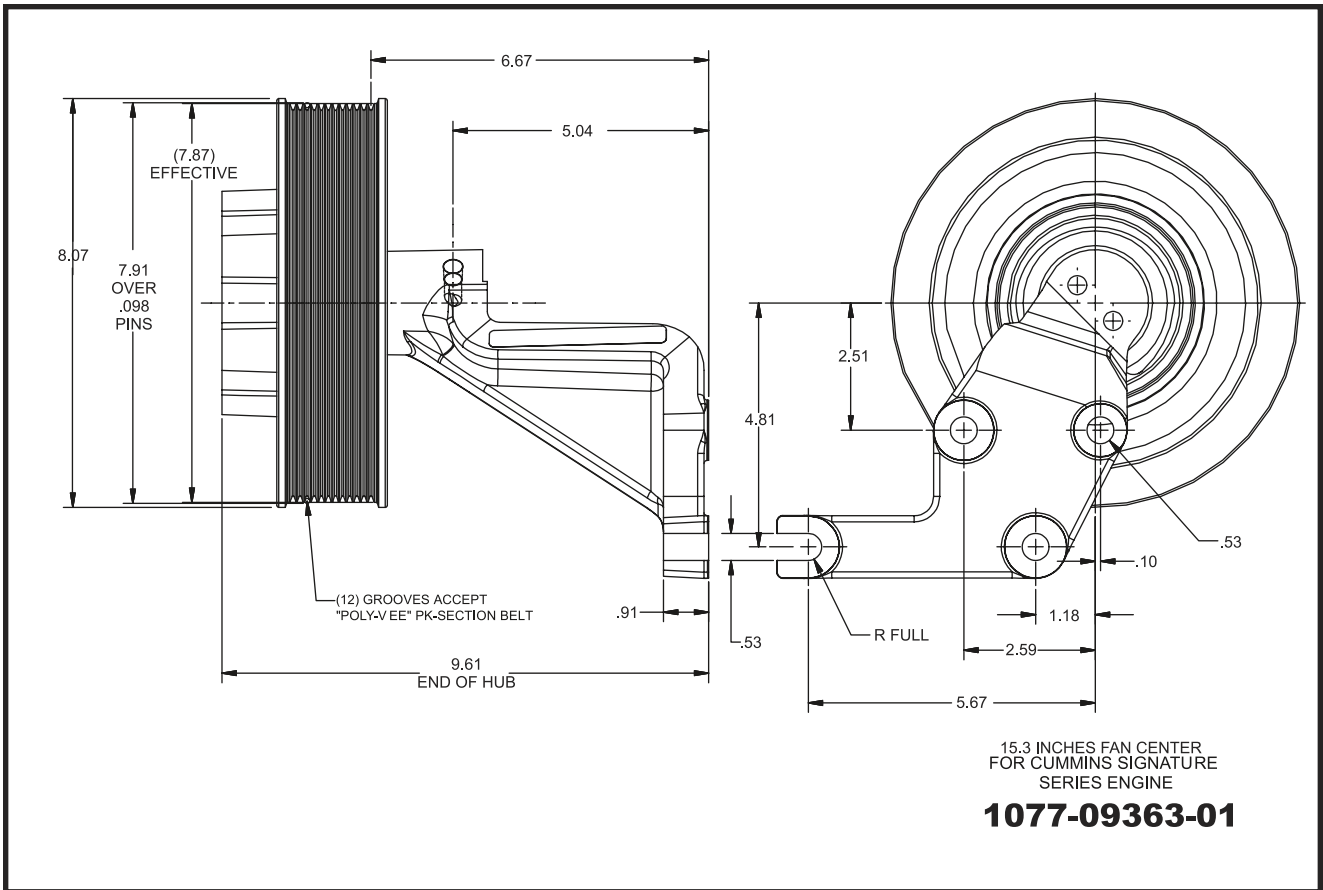


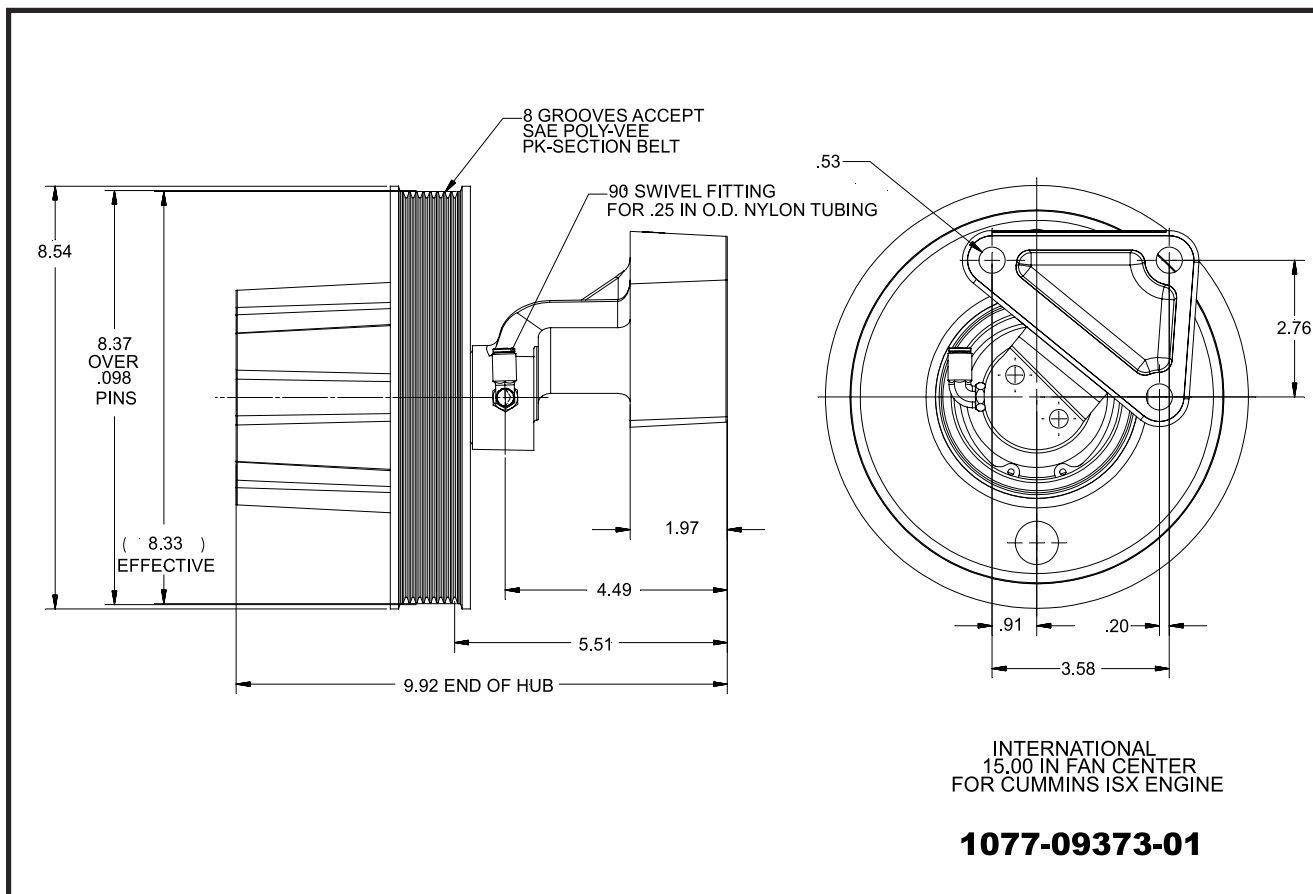
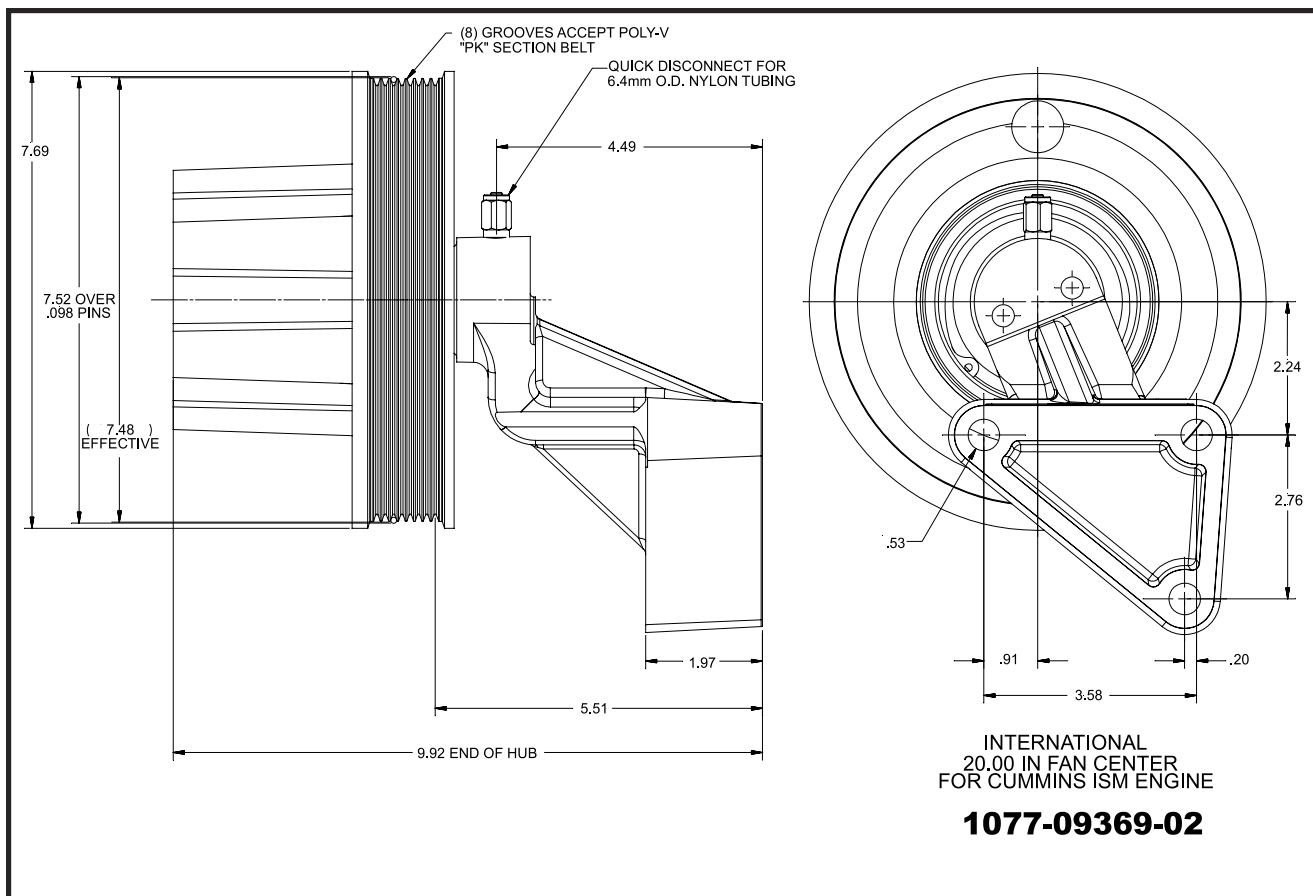




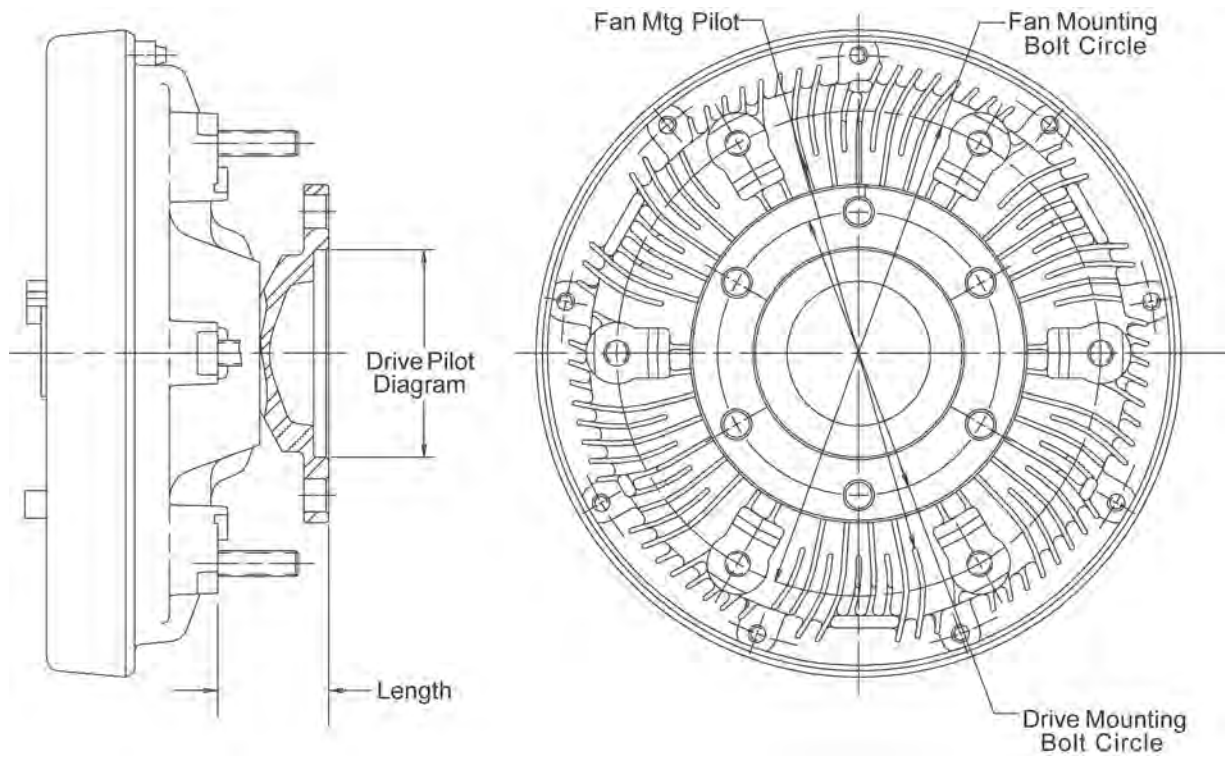








# Models 220 - 240



MODEL	PART#	ROT	FAN PILOT	FAN BC	LGTH	DRIVE PILOT	DRIVE BC	FAN PART#	FAN DESC	ID MARK
220	15735-1	—	2.624	3.25	1.38	0.628	4 @ 1.75	EAC/1787	—	JD
220	16261-1	—	2.624	3.25	1.50	1.320	4 @ 2.125	14009080	—	AW
220	16261-2	—	2.624	3.25	1.50	0.749	4 @ 2.125	22512599	—	AW
220	16356-1	—	2.624	3.25	1.50	0.749	4 @ 2.125	14009080	—	DT
220	16356-2	—	2.624	3.25	1.50	0.749	4 @ 2.125	1263011	—	DT
220	16487-1	—	2.624	3.25	1.50	0.749	4 @ 2.125	14009080	—	—
220	16487-2	—	2.624	3.25	1.50	0.749	4 @ 2.125	1263011	—	ABC
220	16488-1	—	2.624	3.25	1.50	0.749	4 @ 2.125	14009080	—	ACC
220	16999-1	—	2.519	3.25	1.50	0.748	4 @ 1.938	15522432	—	HP
220	16999-2	—	2.517	3.25	1.50	0.748	4 @ 1.938	15522432	—	HP
220	17000-1	—	2.519	3.25	1.50	0.748	4 @ 1.938	15522432	—	HR
220	17359-1	—	2.624	3.25	1.10	—	M30x1.5-6H LH	4428156	—	159
240	15733-2	—	3.245	3.81	1.67	—	3.0-8UN-2A OD Thrd	916572	21-7-1.97	—
240	15733-3	—	3.245	3.81	1.67	—	3.0-8UN-2A OD Thrd	E0HT-8600-SA	—	—
240	15733-4	—	3.245	3.81	1.67	—	3.0-8UN-2A OD Thrd	E0HT-8600-SA	—	—
240	15750-7	—	3.250	3.81	2.00	0.749	4 @ 2.50	917103	20-7-2.06	—
240	15781-4	—	3.250	3.81	1.26	1.260	1.75-12UN-2A LH	D9HT-8600-CA	—	E0HT-MA
240	15781-5	—	3.250	3.81	1.26	—	1.75-12UN-2A LH	D9HT-8600-CA	—	E1HT-CA
240	15789-1	—	3.250	3.81	2.12	0.749	4 @ 2.50	916722	22-7-1.98	HF
240	15829-1	—	3.250	3.81	2.38	0.749	4 @ 2.125	1700691C1	22-6-2.29	IB
240	15829-2	—	3.250	3.81	2.38	0.749	4 @ 2.125	1700691C1	22-6-2.29	IB
240	15829-3	—	3.250	3.81	2.38	0.749	4 @ 2.125	1700691C1	22-6-2.29	IB
240	15904-1	—	3.248	3.81	1.37	0.749	4 @ 2.75	1700707C1	22-6-2.51	II
240	15904-2	—	3.248	3.81	1.37	0.749	4 @ 2.75	1700707C1	22-6-2.51	II
240	15904-3	—	3.248	3.81	1.37	0.749	4 @ 2.75	1700707C1	22-6-2.51	II

VISCIOUS SPECS BY MODEL#

# Models 240 - 260

MODEL	PART#	ROT	FAN PILOT	FAN BC	LGTH	DRIVE PILOT	DRIVE BC	FAN PART#	FAN DESC	ID MARK
240	15923-1	—	3.248	3.81	2.12	0.749	4 @ 2.75	916572	21-7-1.97	E0HT-GA
240	15947-1	—	3.248	3.81	1.50	0.749	4 @ 3.22	—	—	2MH302
240	15959-1	—	3.248	3.81	1.37	0.749	4 @ 2.75	995688C1	21-6-2.71	ID
240	15959-2	—	3.248	3.81	1.37	0.749	4 @ 2.75	995688C1	21-6-2.71	IG
240	15959-3	—	3.245	3.81	1.37	0.749	4 @ 2.75	995688C1	21-6-2.71	IG
240	15959-4	—	3.250	3.81	1.37	0.749	4 @ 2.75	4035-38617-04	22-6-2.83	IG
240	15991-1	—	3.248	3.81	1.37	0.749	4 @ 2.75	995688C1	21-6-2.71	IE
240	15991-2	—	3.248	3.81	1.37	0.749	4 @ 2.75	995688C1	21-6-2.71	IH
240	15991-3	—	3.248	3.81	1.37	0.749	4 @ 2075	995688C1	21-6-2.71	IH
240	15991-4	—	3.248	3.81	1.37	0.749	4 @ 2.75	995688C1	21-6-2.71	IH
240	16064-1	—	3.248	3.81	1.37	0.749	4 @ 2.125	1700707C1	22-6-2.51	IJ
240	16065-1	—	3.248	3.81	1.37	0.749	4 @ 2.50	587534C1	20-?-1.93	IK
240	16222-1	—	3.248	3.81	1.37	2.167	4 @ 3.00	916813	21-7-1.97	38MH310
240	16222-2	—	3.248	3.81	1.37	2.167	4 @ 3.00	916813	21-7-1.97	38MH310
240	16265-1	—	3.248	3.81	1.26	—	1.75-12UN-2A LH	E0HT-8600-SA	—	E1TD-AA
240	16349-1	—	3.248	3.81	1.37	0.749	4 @ 2.75	916572	21-7-1.97	E-D7HA-NB
240	16349-2	—	3.248	3.81	1.37	0.749	4 @ 2.75	916572	21-7-1.97	E-D7HA-NB
240	16349-3	—	3.248	3.81	1.37	0.749	4 @ 2.75	E0HT-8600-SA	—	E3HT-JA
240	16380-1	—	3.248	3.81	1.37	0.748	4 @ 2.75	E0HT-8600-SA	—	—
240	16593-1	—	3.248	3.81	1.37	0.749	4 @ 2.75	1700707C1	22-6-2.51	IQ
240	16800-1	—	3.248	3.81	2.12	0.749	4 @ 2.75	4035-38617-04	22-6-2.83	SI
240	16806-1	—	3.248	3.81	1.20	—	M30x2-6G LH	4035-38617-04	22-6-2.83	IR
240	16907-2	—	3.248	3.81	1.22	—	M30x2-6G LH	917104	21-7-2.00	—
240	16907-3	—	3.248	3.81	1.21	—	M30x2-6G LH	917104	21-7-2.00	—
240	17314-1	—	3.248	3.81	1.37	0.749	4 @ 2.750	917870	23-6-2.64	IU
240	17318-1	—	3.248	3.81	1.37	0.749	4 @ 2.750	917870	23-6-2.64	IV
240	17437-1	—	3.248	3.81	1.38	2.000	4 @ 3.50	917870	23-6-2.64	IW
240	17438-1	—	3.248	3.81	1.38	2.000	4 @ 3.50	917870	23-6-2.64	IX
240	17530-1	—	3.220	3.81	1.37	0.749	4 @ 2.75	4035-38617-04	22-6-2.83	NA
260	16152-1	—	4.990	6.00	1.38	2.000	6 @ 3.50	916612	23-7-3.20	IM
260	16235-1	—	4.990	6.00	1.50	1.320	4 @ 2.50	14033960	—	AY
260	16263-1	—	4.990	6.00	1.38	2.000	6 @ 3.50	916612	23-7-3.20	IN
260	16273-2	—	4.990	6.00	1.20	thrded	1.25-16-2B LH	E6TA-8600-HA	—	E-E5TA-SA
260	16273-4	—	4.990	6.00	1.20	—	1.25-16UN-2B LH	E6TA-8600-HA	—	E8TA-PA
260	16288-1	—	4.990	6.00	1.62	3.230	6 @ 4.00	2064654	—	HY
260	16305-1	—	4.990	6.00	—	0.750	4 @ 2.75	4035-35832-05	22-10-1.24	E-E3HT-CA
260	16411-1	—	4.990	6.00	1.39	2.500	6-.313-3.50	916915	22-7-2.56	—
260	16411-2	—	4.990	6.00	1.38	2.500	6-.313-3.50	916915	22-7-2.56	E3HT-EC
260	16411-3	—	4.990	6.00	1.38	2.500	6-.313-3.50	916915	22-7-2.56	E7HT-RA
260	16424-1	—	4.990	6.00	1.50	1.500	4 @ 2.50	14033960	—	HZ
260	16648-1	—	4.990	6.00	1.60	2.517	6 @ 3.307	917203	22-7-2.56	E7HT-AB
260	17170-1	—	4.990	6.00	1.21	—	1.25-16UN-2B LH	917531	22-6-2.18	E5HT-DA
260	17192-1	—	4.990	6.00	1.21	—	1.25-16UN-2B LH	917818	22-6-2.91	E5HT-GA
260	17192-2	—	4.990	6.00	1.21	—	1.25-16UN-2B LH	917818	22-6-2.91	E5HT-GA
260	17195-1	—	4.990	6.00	—	2.000	6 @ 3.50	1647411C11	26-8-2.72	—
260	17241-2	—	4.990	6.00	2.01	2.517	6 @ 3.307	917923	24-6-2.89	E8HT-GB
260	17241-3	—	4.990	6.00	2.01	2.515	6 @ 3.307	917923	24-6-2.89	E9HT-EA
260	17242-1	—	4.990	6.00	1.38	2.000	6 @ 3.50	917246	23-7-2.40	NX
260	17502-1	—	4.990	6.00	2.00	1.001	4 @ 2.358	4035-35480-21	24-6-2.83	20822-3460

\* The remaining information is not available

# Models 280

MODEL	PART#	ROT	FAN PILOT	FAN BC	LGTH	DRIVE PILOT	DRIVE BC	FAN PART#	FAN DESC	ID MARK
280	15783	—	4.990	6.00	1.38	2.000	6 @ 3.50	916612	23-7-3.20	488486C1
280	15590-1	—	4.990	6.00	1.38	2.000	6 @ 3.50	916612	23-7-3.20	—
280	15590-2	—	4.990	6.00	1.38	2.000	6 @ 3.50	916612	23-7-3.20	—
280	15635-1	—	4.990	6.00	1.38	2.562	6 @ 3.50	2MH424P 2	—	—
280	15635-2	—	4.990	6.00	1.38	2.562	6 @ 3.50	2MH424P 2	—	—
280	15681-1	—	4.990	6.00	1.38	2.000	6 @ 3.50/6 @ 3.88	534318C1	28-8-3.50	—
280	15681-2	disc	4.990	6.00	1.38	2.000	6 @ 3.50/6 @ 3.88	534318C1	28-8-3.50	534319C1
280	15763-1	—	4.990	6.00	1.38	2.562	6 @ 3.875	2027706	—	HB
280	15765-1	—	4.990	6.00	2.10	2.000	6 @ 3.50/6 @ 3.88	917627	28-8-3.45	—
280	15770-1	—	4.990	6.00	1.60	2.054	6 @ 3.50/6 @ 3.88	488329C1	—	—
280	15808-1	—	4.990	6.00	3.20	2.054	6 @ 3.50/6 @ 3.88	403194C1	—	503193C91
280	15808-2	cw	4.990	6.00	3.20	2.054	6 @ 3.50/6 @ 3.88	403194C1	—	503193C91
280	15814-1	—	4.990	6.00	2.56	2.000	6 @ 4.00	916496	22-6-2.93	—
280	15850-1	—	4.990	6.00	1.38	2.000	6 @ 3.50	2MH426	27.5-?-?	38MH43A
280	15851-1	—	4.990	6.00	1.38	2.054	6 @ 3.50	2MH426	27.5-?-?	38MH42A
280	15851-2	—	4.990	6.00	1.38	2.054	6 @ 3.875	2MH426	27.5-?-?	38MH42A
280	15906-1	—	4.990	6.00	1.60	2.054	6 @ 3.50/6 @ 3.88	916612	23-7-3.20	500275C1
280	15906-2	—	4.990	6.00	1.60	2.054	6 @ 3.50/6 @ 3.88	916612	23-7-3.20	500275C1
280	15907-1	—	4.990	6.00	1.60	2.054	6 @ 3.50/6 @ 3.88	491331C1	—	533222C1
280	15907-2	—	4.990	6.00	1.60	2.054	6 @ 3.50/6 @ 3.88	491331C1	—	533222C1
280	15934-1	—	4.990	6.00	1.58	3.230	6 @ 4.00	2064654	—	HM
280	15934-2	—	4.990	6.00	1.62	3.230	6 @ 4.00	2064654	—	HS
280	15934-3	—	4.990	6.00	1.62	3.230	6 @ 4.00	2064654	—	HS
280	15938-1	—	4.990	6.00	1.38	2.000	6 @ 3.50	916612	23-7-3.20	504909C1
280	15938-2	obs	4.990	6.00	1.38	2.000	6 @ 3.50	916612	23-7-3.20	504909C1
280	15939-1	—	4.990	6.00	1.38	2.000	6 @ 3.50	492145C1	—	504910C1
280	15939-2	—	4.990	6.00	1.38	2.000	6 @ 3.50	492145C1	—	504910C1
280	15940-1	—	4.990	6.00	1.38	2.000	6 @ 3.50	916612	23-7-3.20	504908C1
280	15940-2	—	4.990	6.00	1.38	2.000	6 @ 3.50	916612	23-7-3.20	504908C1
280	15974-1	—	4.990	6.00	1.60	2.054	6 @ 3.50/6 @ 3.88	917627	28-8-3.45	536712C1
280	15974-2	—	4.990	6.00	1.60	2.054	6 @ 3.50/6 @ 3.88	917627	28-8-3.45	536712C1
280	16004-1	—	4.990	6.00	1.38	2.054	6 @ 3.875	2063193	23-7-3.20	HN
280	16004-2	—	4.990	6.00	1.38	2.054	6 @ 3.875	2063193	23-7-3.20	HN
280	16004-3	—	4.990	6.00	1.38	2.054	6 @ 3.875	2063193	23-7-3.20	GA
280	16030-1	—	4.990	6.00	1.38	2.054	6 @ 3.875	2061086	—	HL
280	16144-1	—	4.990	6.00	—	3.230	6 @ 4.00	583275C1	—	583478C1
280	16145-1	—	4.990	6.00	1.58	3.230	6 @ 4.00	2064913	23-7-2.50	HR
280	16145-2	—	4.990	6.00	1.62	3.230	6 @ 4.00	2064913	23-7-2.50	HT
280	16146-1	—	4.990	6.00	1.60	2.054	6 @ 3.50/6 @ 3.875	2MH29314	28-8-2.94	1MHA39310
280	16229-1	—	4.990	6.00	1.38	2.054	6 @ ??	2061086	—	HW
280	16308-1	—	4.990	6.00	1.60	2.000	6 @ 3.50	4035-35480-07	28-6-2.83	GC
280	16433-2	—	4.990	6.00	1.38	2.054	6 @ 3.875	4035-36570-17	28-8-3.00	EV-16433-2
280	16449-1	—	4.990	6.00	2.10	2.000	6 @ 3.50/6 @ 3.875	917112	24-7-3.18	587931C91
280	16449-2	—	4.990	6.00	2.10	2.000	6 @ 3.50/6 @ 3.875	917112	24-7-3.18	587931C91
280	16466-1	—	4.990	6.00	2.10	2.000	0	917112	24-7-3.18	—
280	16466-2	obs	4.990	6.00	2.10	2.000	0	917112	24-7-3.18	592636C91
280	16650-2	—	4.990	6.00	2.10	2.002	6 @ 3.50	4035-37494-19	30-8-3.01	16650-2
280	16661-1	obs	4.990	6.00	1.60	2.054	6 @ 3.50/6 @ 3.875	1606539C1	—	1606538C1
280	16696-1	—	4.990	6.00	2.10	2.000	6 @ 3.50	4035-37494-19	30-8-2.88	20822-3425

\* The remaining information is not available



# Models 280 - 575

MODEL	PART#	ROT	FAN PILOT	FAN BC	LGTH	DRIVE PILOT	DRIVE BC	FAN PART#	FAN DESC	ID MARK
280	16700-1	obs	4.990	6.00	2.10	2.000	6 @ 3.50/6 @ 3.875	917627	28-8-3.45	556604C91
280	16707-1	—	4.990	6.00	2.10	2.000	6 @ 3.50/6 @ 3.875	917627	28-8-3.45	557146C1
280	17043-1	—	4.990	6.00	2.10	2.000	6 @ 3.50	4035-37494-19	30-8-3.01	05-12880-000
280	17043-2	—	4.990	6.00	2.10	2.000	6 @ 3.50	4035-37494-19	30-8-3.01	05-12880-000
280	17129-1	obs	4.990	6.00	1.60	2.000	6 @ 3.50	4035-35480-55	26-6-2.83	8056905
280	17257-1	obs	4.990	6.00	2.10	2.000	6 @ 3.50	4035-35480-33	30-6-2.83	681-200-07-26
280	17283-1	obs	4.990	6.00	2.10	2.000	6 @ 3.50/6 @ 3.875	4035-35480-07	28-6-2.83	EV-17283-1
280	17356-2	—	4.990	6.00	1.35	2.563	6 @ 4.00	ECS/311539	28-8-3.50	AT-115569
280	17394-1	—	4.990	6.00	2.10	2.000	6 @ 3.5/6 @ 3.875	917023	28-8-3.21	EV-17394-1
280	17575-1	—	4.990	6.00	2.10	2.000	6 @ 3.50	681-205-0406	—	681-200-08-26
280	17649-1	—	4.990	6.00	1.35	2.562	6 @ 4.00	RE38931	—	RE37444
280	17650-1	—	4.990	6.00	1.35	2.562	6 @ 4.00	AR94950	23.8-8-2.59	RE37443B
280	17696-1	—	4.990	6.00	2.10	2.000	6 @ 3.50	4035-35480-33	30-6-2.83	05-12225-000
280	17898-1	cw	4.990	6.00	1.21	—	M30x2-6G LH	15679323	26-7-2.7	SS
281	17043-3	—	4.990	6.00	2.10	2.000	6 @ 3.50	4035-37494-19	30-8-3.01	—
400	16903-1	—	6.990	8.44	1.75	2.000	6 @ 3.50	1646338X1	—	—
400	17716-1	—	6.990	8.44	2.15	4.515 OD	6 @ 3.78	917028	32-8-3.21	—
400	17975-1	—	6.990	8.44	2.15	2.000	6 @ 3.50	Flexalite 76529	32-6-3.50	05-181-24
400	18009-1	—	6.990	8.44	2.15	2.000	6 @ 3.50	4035-38164-??	—	—
525	18619-1	—	2.620	3.25	1.11	—	M24x1.5-6H LH	249462A1	—	246461A2
525	18754-2	—	2.624	3.25	1.23	—	M30x1.5-6H RH	312800	17.04-11-1.85	—
525	18893-1	—	2.624	3.25	1.30	1.025	3 @ 1.89	312806	16.42-11-1.85	5190091
560	17366-1	cw	2.622	3.25	1.50	0.749	4 @ 2.125	22512599	—	HT
560	17427-1	cw	2.622	3.25	1.10	—	M30x1.5-6H LH	4428156	—	096
560	17429-1	—	2.622	3.25	2.00	0.749	4 @ 1.75	RW23688	—	RE-36840A
560	17460-1	ccw	2.517	3.25	1.50	0.749	4 @ 1.938	15522432	—	HR
560	17461-1	ccw	2.517	3.25	1.50	0.749	4 @ 1.938	15522432	—	HP
560	17562-1	—	2.622	3.25	2.00	1.000	4 @ 3.25	RW23688	—	RE-36086B
560	17614-1	cw	2.622	3.25	1.50	0.749	4 @ 2.125	1263011	—	AW
560	17648-1	—	2.622	3.25	1.10	—	M30x1.5-6H LH	E4TA-8600-MA	—	E9US-AA & 130-3178-04
560	17853-1	cw	2.622	3.25	1.10	—	M30X1.5-6H LH	52004927	—	928
560	18062-1	cw	2.622	3.25	1.25	—	1.35-12UN Special LH	—	—	E-D3HA-AB
560	18409-1	—	2.622	3.25	1.10	—	M30X1.5-6H LH	52026553	—	760
560	18615-2	—	2.622	3.25	1.11	—	M24x1.5-6H LH	223825A1	—	226165A3
560	18616-2	—	2.622	3.25	1.12	—	M24x1.5-6H LH	223825A1	—	246462A2
560	19168-1	—	2.622	3.25	1.11	—	M24x1.5-6H LH	223825A1	—	379140A1
565	18376-2	—	3.000	3.25	1.26	1.001	4 @ 2.36 (sides shaved off)	ECS/312632	19.69-7-2.76	221853A2
565	18629-1	—	2.517	3.25	2.42	—	M30x1.5-6H LH	4735-38449-124	19-10-2.16	XC35-AB
565	18711-1	—	2.622	3.25	1.11	—	M30x1.5-6H LH	ECS/312632	19.69-7-2.76	303195A1
565	18834-1	—	2.622	3.25	1.10	—	M30x1.5-6H LH	4735-43560-xx DN13U	—	25239-51000
575	010010226	ccw	2.622	3.25	1.72	—	M301.5-6H RH	15767319	21-5-2.48	GGL
575	17956-1	ccw	2.460	3.25	1.50	0.749	4 @ 1.938	15522432	—	GB
575	17957-1	ccw	2.460	3.25	1.50	0.749	4 @ 1.938	15522432	—	GC
575	17964-1	cw	2.622	3.25	1.50	0.749	4 @ 2.125	1263011	—	SW
575	17965-1	cw	2.622	3.25	1.50	0.749	4 @ 2.125	1263011	—	SX
575	18047-1	ccw	2.460	3.25	1.75	0.749	4 @ 1.938	15522432	—	HB
575	18252-1	—	2.622	3.25	1.72	—	M30x1.5-6H RH	52028440	—	743
575	18292-2	—	—	3.25	2.42	—	M30x1.5-6H RH	F81A-8600-KA	—	F81A-AA
575	18448-1	cw	2.622	3.25	1.10	—	M30X1.5-6H LH	52028774AA	—	615

\* The remaining information is not available

# Models 575 - 610

MODEL	PART#	ROT	FAN PILOT	FAN BC	LGTH	DRIVE PILOT	DRIVE BC	FAN PART#	FAN DESC	ID MARK
575	18448-2	cw	2.622	3.25	1.10	—	M30X1.5-6H LH	52028774AA	—	615AB
575	18494-1	—	2.622	3.25	2.42	—	M30x1.5-6H RH	F81A-8600-KA	—	—
575	18546-1	—	2.517	3.25	1.22	—	M30x1.5-6H RH	—	—	8971453420
575	18612-1	ccw	2.517	3.25	1.50	—	M36x2-6H RH	15734247	—	GDU
575	18662-1	—	2.620	3.25	1.86	0.749	4 @ 2.36	XA-3958	—	8009791
575	18750-1	—	2.622	3.25	1.41	—	M36x2.0-6H RH	XA-3956	—	6009991
585	010011115	ccw	3.246	3.81	1.76	0.749	4 @ 2.36	918840	20-9-2.57	010011115
585	010020373	ccw	3.246	3.81	1.75	—	M36x2-6H RH	15010202	21-9-2.48	GGZ
585	18384-1	ccw	2.362	3.81	1.76	0.749	4 @ 2.362	15992650B	—	—
585	18384-2	ccw	3.246	3.81	1.76	0.749	4 @ 2.36	15992650B	—	—
585	18392-3	—	2.622	3.25	2.42	—	M36x2.0-6H RH	4035-43475-01	20-8-2.95	—
585	18455-2	—	3.246	3.81	1.75	—	M36x2.0-6G RH	15022678	—	—
585	18478-1	ccw	2.820	3.81	1.75	0.749	4 @ 2.36	15992650	20-9-2.57	—
585	18480-1	ccw	3.246	3.81	1.76	—	4 @ 2.36	918840	20-9-2.57	GCP
585	18480-2	ccw	3.246	3.81	1.76	—	4 @ 2.36	918840	20-9-2.57	GCP
585	18495-1	—	2.622	3.25	2.42	—	M36x2.0-6H RH	4035-43475-01	20-8-2.95	—
585	18496-1	ccw	2.622	3.25	2.42	—	1.24-18UNEF-2B RH	4035-43641-01	23.25-9-2.85	F81A-DA
585	18497-1	ccw	2.622	3.25	2.42	—	1.25-18UNEF-2B RH	4035-43641-01	23.25-9-2.85	F81A-NA
585	18532-1	ccw	3.246	3.81	1.75	—	M36x2-6H RH	918840	20-9-2.57	GDF
585	18533-1	ccw	3.246	3.81	1.32	—	M36x2-6H RH	918840	20-9-2.57	GDW
585	18589-1	ccw	2.622	3.25	1.20	—	1.25-16UNEF-2B RH	F81A-8600-MAI	23.25-9-2.85	—
585	18589-2	ccw	2.622	3.25	1.20	—	1.25-18UNEF-2B RH	4035-43641-01	23.25-9-2.85	F8UA-AA
585	18609-1	—	3.246	3.81	1.75	—	M36x2.0-6H RH	15010202	—	GDX
585	18614-1	ccw	3.246	3.81	1.32	—	M36x2-6H RH	918840	20-9-2.57	GDT
585	18663-1	cw	2.622	3.25	1.10	—	M30X1.5-6H LH	52028893AA	—	52028894AA
585	18840-2	—	3.246	3.81	1.76	0.749	4 @ 2.360	918840	20-9-2.57	GCP
595	18847-1	ccw	3.246	3.81	0.94	—	M30x1.5-6H RH	52028878AA	—	52028879AA
610	17335-1	—	3.246	3.81	1.26	—	1.75-12UN-2A LH	9171103	20-7-2.06	E9HT-CA
610	17336-2	—	3.246	3.81	2.12	0.749	4 @ 2.75	917872	22-7-2.00	D7HT-AAA
610	17337-1	cw	3.246	3.81	1.37	0.749	4 @ 2.75	9171104	21-7-2.00	—
610	17337-2	cw	3.246	3.81	1.37	0.749	4 @ 2.75	9171104	21-7-2.00	E3HT-JA
610	17338-2	cw	3.246	3.81	1.21	—	M30x2-6G LH	917872	22-7-2.00	89HU-AA
610	17349-1	cw	3.246	3.81	1.50	0.749	4 @ 2.50	2066089	—	GX
610	17380-1	cw	3.250	3.81	1.20	—	M30X2-6G LH	TE3121303	—	TE3121431A
610	17423-1	—	3.250	3.81	1.20	—	M30x2.0-6G LH	15647167	—	RT
610	17448-1	cw	3.248	3.81	2.38	0.749	4 @ 2.125	1666941C1	22-6-2.63	1666955C1
610	17449-1	cw	3.246	3.81	1.37	0.749	4 @ 2.75	1700707C1	22-6-2.51	—
610	17451-1	cw	3.246	3.81	2.12	0.749	4 @ 2.750	4035-38617-04	22-6-2.83	—
610	17452-1	cw	3.246	3.81	1.20	—	M30x2-6G LH	4035-38617-04	22-6-2.83	—
610	17479-1	cw	3.246	3.81	1.67	—	3.0-8UN-2A LH	9171104	21-7-2.00	—
610	17482-1	cw	3.246	3.81	1.38	2.000	4 @ 3.50	917870	23-6-2.64	1659712C1
610	17483-1	cw	3.246	3.81	1.38	2.000	4 @ 3.50	917870	23-6-2.64	1659713C1
610	17487-1	cw	3.246	3.81	1.37	0.749	4 @ 1.75	917900	22-7-2.00	E8HT-RA
610	17487-2	cw	3.246	3.81	1.37	0.749	4 @ 1.75	917900	22-7-2.00	EDE8HT-RA
610	17487-3	cw	3.246	3.81	1.37	0.749	4 @ 1.75	917900	22-7-2.00	ED-E8HT-RA
610	17490-1	cw	3.246	3.81	1.37	2.167	4 @ 3.00	916813	21-7-1.97	—
610	17593-1	cw	3.220	3.81	1.37	0.749	4 @ 2.75	4035-40518-01	22-9-2.59	E9HT-AA
610	17593-2	cw	3.220	3.81	1.37	0.749	4 @ 2.75	4035-40518-01	22-9-2.59	E9HT-AA
610	17640-2	—	3.246	3.81	1.36	0.749	4 @ 2.50	3387605M1	—	3582654M01A

VISCIOUS SPECS BY MODEL#

# Models 610 - 660

MODEL	PART#	ROT	FAN PILOT	FAN BC	LGTH	DRIVE PILOT	DRIVE BC	FAN PART#	FAN DESC	ID MARK
610	17640-3	—	3.246	3.81	1.38	0.749	4 @ 2.50	35826575M1	—	3582654M1
610	17667-3	—	3.246	3.81	1.50	1.004	4 @ 2.50	ECS/311606	20.4-6-1.78	RE34438L
610	17698-1	cw	3.246	3.81	1.37	0.749	4 @ 1.750	4035-40518-01	22-9-2.59	E9HT-DA
610	17706-1	cw	3.246	3.81	2.38	0.749	4 @ 2.125	1700691C1	22-6-2.29	—
610	17740-1	cw	3.246	3.81	1.20	—	M30x2-6G LH	4035-40518-01	22-9-2.59	E9HT-FA
610	17740-2	cw	3.250	3.81	1.20	—	M30x2-6G LH	4035-40518-04	22-9-2.59	E9HT-FA
610	17740-3	cw	3.250	3.81	1.20	—	M30x2-6G LH	4035-40518-04	22-9-2.59	F7HT-DA
610	17740-4	cw	3.246	3.81	1.20	—	M30x2-6G LH	4035-40518-04	22-9-2.59	F7HT-DA
610	17757-1	cw	3.246	3.81	1.38	—	4 @ 2.125	1666941C1	22-6-2.63	1672963C1
610	17874-1	cw	3.246	3.81	1.21	—	M30x2-6G LH	4035-40518-06	24-9-2.59	F1HT-CA
610	17874-2	cw	3.250	3.81	1.21	—	M30x2-6G LH	4035-40518-06	24-9-2.59	F1HT-CA
610	17882-1	cw	3.220	3.81	2.00	1.001	4 @ 2.36	ECS311788	—	680-200-0226
610	17908-1	cw	3.246	3.81	1.10	—	M30x2-6G LH	4035-40518-01	22-9-2.59	F1HT-EA
610	17908-2	cw	3.246	3.81	1.10	—	M30x2-6G LH	4035-40518-04	22-9-2.59	F1HT-EA
610	17944-1	cw	3.246	3.81	1.50	0.749	4 @ 2.50	916813	21-7-1.97	38MH302
610	18082-1	—	3.246	3.81	1.50	1.004	4 @ 2.50	L79028	22-7-2.5	RE54521
610	18098-1	—	3.246	3.81	1.38	0.749	4 @ 2.50	312396	20.87-7-2.72	3619096M1
610	18098-2	—	3.246	3.81	1.38	0.749	4 @ 2.50	312396	20.87-7-2.72	3619086M1
610	18139-1	—	3.246	3.81	1.54	1.004	4 @ 2.50	L79028	22-7-2.5	AL 79618
610	18157-1	—	3.246	3.81	1.54	1.004	4 @ 2.50	L79028	22-7-2.5	AL 81448
610	18255-1	—	3.246	3.81	1.21	—	M30x2-6G LH	312537	20-7-2.76	172.15.025-0
610	18307-1	—	3.246	3.81	2.24	1.003	4 @ 2.36(Slots)	194518A1	—	188922A1
610	18346-1	—	3.246	3.81	2.22	1.575	4 @ 2.50	L79028	22-7-2.5	AL 111576 D
610	18347-1	—	3.222	3.81	2.22	1.570	4 @ 2.50	L79028	22-7-2.5	AL 111577 D
610	18394-1	—	3.246	3.81	2.22	—	4 @ 2.50	L79028	22-7-2.50	RE64271D
610	18651-1	—	3.246	3.81	2.24	1.004	4 @ 2.36 (slots)	194518A1	—	283132A1
610	18665-1	—	3.045	3.81	2.01	0.751	4 @ 2.50	312746	23.62-8-2.64	51-06630-0071
610	18770-1	—	3.246	3.81	1.21	—	M30x2-6G LH	312741	20.6-7-2.60	3781005M91 (Fan & Drive part number)
610	18770-2	—	3.246	3.81	1.21	—	M30x2-6G LH	312741	20.6-7-2.60	—
610	18781-1	—	3.246	3.81	1.21	—	M30x2-6G LH	312797	19.29-7-2.20	3780424M91 (Fan & Drive part number)
610	18781-2	—	3.246	3.81	1.21	—	M30x2-6G LH	312885	19.29-7-2.24	3790424M93 (Fan & Drive part number)
610	18832-1	—	3.246	3.81	1.38	0.749	4 @ 2.50	148122	19.76-7-2.28	3712027M93 (Fan & Drive part Number)
610	18841-1	—	3.246	3.81	2.05	0.749	4 @ 2.50	312783	21.65-7-2.36	G411.201.040.100
610	18843-1	—	3.246	3.81	2.22	1.500	4 @ 2.50	L79028	22-7-2.50	RE-165218
610	18846-1	—	3.246	3.81	1.90	1.001	4 @ 2.36	9021417	—	9021414
610	18983-1	—	3.246	3.81	1.46	0.751	4 @ 2.5	312823	21.65-7-2.28	51.06630-0079
610	19085-1	—	3.246	3.81	1.21	—	M30x1.5-6H LH	312866	18.5-7-2.64	G117.201.040.100
660	010010638	—	4.990	6.00	4.08	1.004	4 @ 2.50	RE181921	—	RE181928
660	020002911	—	4.990	6.00	2.58	1.575	4 @ 2.50	AL155894	—	AL160127
660	17398-1	cw	4.990	6.00	1.38	2.502	6-.313-3.50	916915	22-7-2.56	E3HZ-8A616-G
660	17400-1	cw	4.990	6.00	1.21	—	1.25-16UN-2B LH	917818	22-6-2.91	—
660	17401-1	cw	4.990	6.00	1.20	—	1.25-16UN-2B LH	E6TA-8600-HA	—	E9TA-EA
660	17401-2	cw	4.990	6.00	1.21	—	1.25-16UN-2B LH	E6TA-8600-HA	—	E9TA-EA
660	17401-3	cw	4.990	6.00	1.20	—	1.25-16UN-2B LH	917929	22-7-2.46	E9TA-EA
660	17424-1	—	4.990	6.00	1.21	—	M30x2.0-6H LH	15521338	—	NF
660	17425-1	—	4.990	6.00	1.21	—	M30x2.0-6H LH	15574698	—	NG

\* The remaining information is not available

# Models 660

MODEL	PART#	ROT	FAN PILOT	FAN BC	LGTH	DRIVE PILOT	DRIVE BC	FAN PART#	FAN DESC	ID MARK
660	17456-1	—	4.990	6.00	—	2.598	6 @ 3.50	2MH445	26-8-3.00	38MH414M
660	17484-1	cw	4.990	6.00	1.37	2.000	6 @ 3.50	916612	23-7-3.20	—
660	17497-1	cw	4.990	6.00	2.01	2.516	6 @ 3.307	4035-35480-03	24-9-2.59	FOHT-FA
660	17545-1	cw	4.990	6.00	1.38	2.562	6 @ 3.50	2MH429	24-8-2.6	38MH416P 2
660	17548-1	cw	4.990	6.00	2.01	1.000	4 @ 2.362	4035-37494-28	28-8-3.01	—
660	17603-1	cw	4.990	6.00	1.21	—	M30x2.0-6H LH	917846	24-7-2.40	RD
660	17622-1	—	4.990	6.00	1.50	1.004	4 @ 2.50	RE34437U	—	RE34439L
660	17622-2	—	4.990	6.00	1.50	1.004	4 @ 2.50	RE34437U	—	RE-56931
660	17671-1	cw	4.990	6.00	1.38	2.562	6 @ 3.50	2MH429	24-8-2.46	38MH416
660	17672-1	ccw	4.990	6.00	1.32	—	1.25-18UNEF-2B RH	—	—	F2TA-AA
660	17693-1	cw	4.990	6.00	2.01	1.000	4 @ 2.362	Flexolite 6065	26-6-3.00	05-16380
660	17711-1	cw	4.990	6.00	1.21	—	M30x2-6G LH	918052	25.2-7-3.48	38MH418M
660	17712-1	cw	4.990	6.00	2.10	2.000	6 @ 3.50	918052	25.2-7-3.48	38MH417M
660	17791-1	—	4.990	6.00	1.21	—	M30x2.0-6G LH	15670817	—	RY
660	17847-1	—	4.990	6.00	1.38	2.001	6 @ 3.50	3581601	—	3389532M2
660	17847-2	—	4.918	6.00	1.39	2.001	6 @ 3.50	148415	22.05-9-3.19	3389532M2
660	17865-1	—	4.990	6.00	1.21	—	M30x2.0-6H LH	15674699	—	SM
660	17866-1	—	4.990	6.00	2.01	1.001	4 @ 2.36	4035-37494-28	28-8-3.01	EV-17866-1
660	17866-2	—	4.990	6.00	2.01	1.001	4 @ 2.36	4035-37494-28	28-8-3.01	17866-2
660	17871-2	—	4.990	6.00	2.01	0.751	4 @ 2.50	Alumetal 9.0900.200	—	G385.202.900.010
660	17880-1	cw	4.990	6.00	1.21	—	1.25-16UN-2B LH	E6TA-8600-HA	—	F2UA-DA
660	17880-2	cw	4.990	6.00	1.20	—	1.25-16UN-2B LH	917929	22-7-2.46	F2UA-DA
660	17881-1	cw	4.990	6.00	2.01	1.000	4 @ 2.36	ECS311786	26-6-2.55	680-200-0126
660	17891-1	—	4.990	6.00	2.01	1.000	4 @ 2.36	15670817	24-7-2.7	P-101324
660	17906-1	cw	4.990	6.00	1.21	—	M30x2-6G LH	15670817	24-7-2.7	SU
660	17922-1	ccw	4.990	6.00	1.75	0.749	4 @ 2.36	15671936	—	ST
660	17926-1	cw	4.990	6.00	1.21	—	M30x2-6G LH	4735-40518-05	24-9-2.59	F3HT-AA
660	17926-2	cw	4.990	6.00	1.21	—	M30x2-6G LH	4735-40518-05	24-9-2.59	F3HT-AA
660	17926-3	cw	4.990	6.00	1.21	—	M30x2-6G LH	4735-40518-05	24-9-2.59	F7HT-BA
660	17946-1	cw	4.990	6.00	1.50	0.749	4 @ 2.50	14033960	—	AY
660	17951-1	cw	4.990	6.00	1.20	—	1.25-16UN-2B LH	917929	22-7-2.46	—
660	17966-1	cw	4.990	6.00	1.20	—	1.25-16UN-2B LH	918609	22-10-3.14	F2TA-JA
660	18019-1	—	4.990	6.00	2.01	0.628	4 @ 2.36	680-200-0523 (390-200-01-23)	—	390-200-0022
660	18044-1	cw	4.990	6.00	1.38	2.000	6 @ 3.50	916612	23-7-3.20	—
660	18049-1	cw	4.990	6.00	2.01	1.000	4 @ 2.36	4035-41134-21	26-8-3.00	05-18431
660	18086-1	ccw	4.990	6.00	1.75	0.749	4 @ 2.362	15953231	19.94-?-3.05	HH
660	18092-1	cw	4.990	6.00	2.01	1.000	4 @ 2.36	917239	24.08-7-2.40	—
660	18101-1	ccw	4.990	6.00	1.75	0.749	4 @ 2.362	15953231	19.94-?-3.05	HU
660	18113-2	—	4.990	6.00	3.90	2.206	6 @ 3.543	312295	22.04-9-3.23	G816.200.040.011
660	18114-1	cw	4.990	6.00	1.20	—	1.25-16UN-2B LH	918609	22-10-3.14	F3TA-HA
660	18115-1	cw	4.990	6.00	1.38	2.562	6 @ 3.50	917239	24.08-7-2.40	38MH416P3
660	18192-1	cw	4.990	6.00	1.21	—	M30x2-6G LH	15670817	24-7-2.7	GAB
660	18193-1	cw	4.990	6.00	1.21	—	M30x2-6G LH	917846	24-7-2.40	GAD
660	18198-1	ccw	4.990	6.00	1.76	0.749	4 @ 2.36	15953231	19.94-?-3.05	GAF
660	18210-1	ccw	4.990	6.00	1.75	0.749	4 @ 2.36	15953231	19.94-?-3.05	GAH
660	18210-2	ccw	4.990	6.00	1.75	0.749	4 @ 2.36	918762	20-6-3.05	GAH
660	18225-1	cw	4.990	6.00	1.91	1.001	4 @ 2.362	Flexalite 6665	26-8-??	05-18953
660	18287-1	—	4.990	6.00	2.01	0.750	4 @ 2.50	312587	25.75-8-3.31	51-06630-0067

\* The remaining information is not available

# Models 660 - 690

MODEL	PART#	ROT	FAN PILOT	FAN BC	LGTH	DRIVE PILOT	DRIVE BC	FAN PART#	FAN DESC	ID MARK
660	18313-1	—	4.990	6.00	2.10	2.001	6 @ 3.50	2995331C1	—	536B120010
660	18359-1	—	4.990	6.00	2.01	1.001	4 @ 2.36	61190379	—	—
660	18419-1	cw	4.990	6.00	1.21	—	M30x2-6G LH	917846	24-7-2.40	GBH
660	18422-1	cw	4.990	6.00	1.69	—	M30x2-6G LH	4035-43179-74	23-?-??	GBA
660	18423-1	cw	4.990	6.00	1.69	—	M30x2-6G LH	4035-43179-74	23-?-??	GBB
660	18459-1	cw	4.990	6.00	1.21	—	M30x2-6G LH	917846	24-7-2.40	GBJ
660	18464-1	—	4.990	6.00	1.50	1.003	4 @ 2.50	RE34437W	—	RE65833A
660	18465-1	—	4.990	6.00	1.50	1.003	4 @ 2.50	RE700096	24-6-3.00	RE-65834A
660	18551-1	—	4.990	6.00	1.50	1.003	4 @ 2.50	RE700093	24-6-3.00	RE70548
660	18624-1	—	4.990	6.00	1.21	—	M30x2.0-6G LH	15670817	—	135-9506
660	18645-1	—	4.990	6.00	3.28	—	6 @ 3.50	4735-40518-05	24-9-2.59	XC45-AA
660	18667-1	—	4.990	6.00	1.21	—	M30x2-6G LH	ECS/833022	24-8-3.55	255030A1
660	18701-1	—	4.990	6.00	2.45	0.751	4 @ 2.50	312753	22.04-9-3.23	G716.201.040.100
660	18761-2	—	4.990	6.00	1.21	—	M30x2-6G LH	312740	23.62-8-3.62	3780202M92 (Fan & Drive Part Number)
660	18806-1	cw	4.990	6.00	3.19	2.206	4 @ 3.701	ECS413127	—	—
660	18836-2	—	4.990	6.00	1.69	—	M30x2.0-6G LH	15155286	—	GFW
660	18838-2	—	4.990	6.00	1.69	—	M30x2.0-6G LH	15155286	—	GFX
660	18862-1	—	4.918	6.00	1.38	2.001	6 @ 3.50	146415	22-9-2.66	3783676M91 (Fan & Drive Part Number)
660	18880-1	—	4.990	6.00	1.81	—	M30x2-6G LH	312822	23.66-9-3.3	9329 8483
660	18962-1	—	4.990	6.00	1.21	—	M30x2.0-6G LH	4735-40518-05	24-9-2.59	3C44-AO
660	19025-1	—	4.990	6.00	1.21	—	M30x2-6G LH	4735-40518-05	24-9-2.59	IC44-BA
660	19095-1	—	4.990	6.00	2.12	1.002	4 @ 2.36	917850	23.69-6-3.68	442985A1
660	19146-1	—	4.990	6.00	2.58	1.575	4 @ 2.50	AL155894	—	AL155873
660	19147-1	—	4.990	6.00	2.58	1.575	4 @ 2.50	AL155894	—	AL155874
660	19201-1	—	4.990	6.00	1.21	—	M30x2-6G LH	4735-43783-928	??-9-3.65	3796712M91 (Fan & Drive Part Number)
661	18010-1	cw	4.990	6.00	1.38	2.562	6 @ 3.50	2MH429	24-8-2.46	—
662	19072-1	—	4.918	6.00	1.21	—	M30x2-6G LH	312857	—	82025903
675	19015-1	—	4.990	6.00	1.01	—	M30x1.5-6H RH	52028878AA	—	—
690	010010791	—	4.990	6.00	4.08	1.004	4 @ 2.50	—	—	RE194827
690	010010980	—	4.990	6.00	1.69	—	M30x2-6G LH	4735-43783-20	27.56-9-3.65	447917A1
690	010010992	—	4.990	6.00	3.82	2.206	4 @ 3.7007	ACS483500-26	26-6-2.83	010010992
690	010010993	—	4.990	6.00	2.01	2.012	4 @ 2.36	ACS483500-26	26-6-2.83	010010993
690	010011123	—	4.990	6.00	1.96	2.559	6 @ 3.50	ACS483500-26	26-6-2.83	010011123
690	010011170	—	4.990	6.00	0.75	2.559	6 @ 3.50	ECS311771	26-8-3.00	010011170
690	010011210	—	4.990	6.00	2.95	—	M30x2-6G LH	ACS/483500-26	26-6-2.83	010011210
690	010011657	—	4.990	6.00	2.95	1.004	4 @ 2.36(Slots)	4735-43783-03	—	—
690	010011790	—	4.990	6.00	3.82	2.206	4 @ 3.701	ACS483500-26	26-6-2.83	010011790
690	010018941	—	4.990	6.00	2.01	1.001	4 @ 2.36	ACS483500-26	26-6-2.83	010018941
690	010019732	cw	4.990	6.00	1.50	1.004	4 @ 2.50	RE181921	26-8-3.00	RE181927
690	010020052	cw	4.990	6.00	4.08	1.004	4 @ 2.50	RE181921	26-8-3.00	RE194827
690	010020069	cw	4.990	6.00	2.01	1.001	4 @ 2.36	4735-35480-07	28-6-2.83	010020069
690	010020164	cw	4.990	6.00	1.21	—	M30X2-6G LH	4735-35480-07	28-6-2.83	010020164
690	010020363	cw	4.990	6.00	2.95	—	M30X2-6G LH	4735-35480-07	28-6-2.83	010020363
690	17581-1	cw	4.990	6.00	2.11	2.000	6 @ 3.50	4035-37494-19	30-8-2.88	20822-3204
690	17637-1	cw	4.990	6.00	1.21	—	1.25-16UN-2B LH	4035-38164-77	27-8-4.00	F1HT-DA
690	17637-2	cw	4.990	6.00	1.21	—	1.25-16UN-2B LH	4035-38164-77	27-8-4.00	F1HT-DA
690	17641-1	cw	4.990	6.00	2.01	1.000	4 @ 2.36	4035-35480-??	—	—

\* The remaining information is not available

# Models 690

MODEL	PART#	ROT	FAN PILOT	FAN BC	LGTH	DRIVE PILOT	DRIVE BC	FAN PART#	FAN DESC	ID MARK
690	17657-1	cw	4.990	6.00	2.11	2.000	6 @ 3.50	4035-37494-19	30-8-2.88	20822-3205
690	17708-1	—	4.990	6.00	—	2.562	6 @ 3.50	ECS311623	26-8-3.3	38MH322M
690	17708-2	cw	4.990	6.00	2.10	2.562	6 @ 3.50	4035-37494-15	26-8-3.00	38MH322M 2
690	17710-1	cw	4.990	6.00	2.50	2.001	6 @ 3.50	4035-41497-03	28.5-9-3.00	F0HT-CA
690	17713-1	—	4.990	6.00	1.36	2.563	6 @ 4.00	RE50573	—	RE-50225
690	17799-1	cw	4.990	6.00	1.21	—	M30X2-6G LH	15670845	—	RX
690	17913-1	cw	4.990	6.00	1.21	—	M30x2-6G LH	F3HT-8600-CA	22-10-3.14	F3HT-BA
690	17913-2	cw	4.990	6.00	1.21	—	M30x2-6G LH	4035-41497-07	26-9-3.00	F7HT-CA
690	17941-1	cw	4.990	6.00	2.50	2.000	6 @ 3.50	4035-35480-26	29.5-6-2.83	8073839
690	17969-1	cw	4.990	6.00	2.01	1.001	4 @ 2.36	ECS311771	26-8-3.00	BWA-17969-1
690	18021-1	—	4.990	6.00	2.11	2.001	6 @ 3.50	9825243	—	9825246
690	18088-1	cw	4.990	6.00	1.21	—	M30x2-6G LH	4735-41134-21	26-8-3.00	—
690	18088-2	cw	4.990	6.00	1.21	—	M30x2-6G LH	4035-41134-02	30-8-3.00	05-19373
690	18095-1	cw	4.990	6.00	1.20	—	1.25-16UN-2B LH	918609	22-10-3.14	F3TA-GA
690	18095-2	cw	4.990	6.00	1.20	—	1.25-16UN-2B LH	918609	22-10-3.14	F4TA-HA
690	18127-1	cw	4.990	6.00	1.21	—	M30x2-6G LH	4035-41134-21	26-8-3.00	EV-18127-1
690	18135-1	—	4.990	6.00	1.35	2.563	6 @ 4.00	RE44389G	—	RE-56569A
690	18136-1	—	4.990	6.00	1.35	2.563	6 @ 4.00	RE53019D	—	RE-51734B
690	18168-1	cw	4.990	6.00	2.50	2.000	6 @ 3.50	05-16005-500	—	05-18815
690	18289-1	—	4.990	6.00	3.58	1.001	4 @ 2.36	ECS/312018	24-8-3.55	187441A1
690	18324-1	cw	4.990	6.00	2.10	2.001	6 @ 3.50	4735-41393-16	30-8-3.50	05-19198
690	18325-1	cw	4.990	6.00	1.38	2.562	6 @ 3.50	4035-41134-21	26-8-3.00	—
690	18326-1	cw	4.990	6.00	2.79	3.701	4 @ 4.409	917746	26.77-6-2.69	—
690	18326-2	—	4.990	6.00	2.80	3.702	8 @ 4.409	917746	26.77-6-2.69	8149412
690	18327-1	cw	4.990	6.00	1.60	2.000	6 @ 3.50	Flexalite 6625	32-6-3.50	05-19206
690	18327-2	cw	4.990	6.00	1.60	2.000	6 @ 3.50	Flexalite 6625	32-6-3.50	05-19326
690	18400-1	cw	4.990	6.00	1.38	2.562	6 @ 3.50	2MH429	24-8-2.46	—
690	18410-1	cw	4.990	6.00	1.21	—	M30x2-6G LH	15987259A	—	GBX
690	18410-2	cw	4.990	6.00	2.08	—	M30x2-6G LH	4735-41393-111	24.5-9-3.50	GCS
690	18410-3	cw	4.990	6.00	2.08	—	M30x2-6G LH	15987259A	—	GFB
690	18426-1	cw	4.990	6.00	1.21	—	M30x2-6G LH	4735-41393-111	24.5-9-3.50	GCA
690	18426-2	cw	4.990	6.00	1.21	—	M30x2-6G LH	4735-41393-111	24.5-9-3.50	GDN
690	18441-1	—	4.990	6.00	1.35	2.560	6 @ 4.00	ECS/830008	28-8-3.00	RE71379
690	18441-2	—	4.990	6.00	1.35	2.563	6 @ 4.00	ECS/830008	28-8-3.00	RE71000
690	18441-3	—	4.990	5.00	1.35	2.560	6 @ 4.00	ECS/830008	28-8-3.00	RE71379
690	18467-1	cw	4.990	6.00	2.10	2.000	6 @ 3.50	4735-41393-34	26-8-3.50	05-19481
690	18502-1	—	4.921	6.00	1.28	—	M30x2-6G LH	4035-42600-??	—	3265805R1
690	18516-2	—	4.990	6.00	1.21	—	M30x2-6G LH	312295	22.04-9-2.66	G926.200.040.010
690	18521-1	cw	4.990	6.00	1.69	—	M30x2-6G LH	4735-43480-09	23-9-3.31	GDC
690	18523-1	cw	4.990	6.00	3.40	2.001	6 @ 3.50	4035-41497-07	26-9-3.00	—
690	18544-2	—	4.990	6.00	1.38	2.001	6 @ 3.50	312695	25.51-8-3.35	3777246 M92
690	18627-1	cw	4.990	6.00	1.40	—	M30x2-6G LH	4735-41134-21	26-8-3.00	ETN-EV-18627-1
690	18627-2	cw	4.990	6.00	1.28	—	M30x2-6G LH	4735-41134-21	26-8-3.00	ETN-EV-18627-2
690	18682-2	—	4.990	6.00	1.20	—	M30x2-6G LH	ECS/833022	24-8-3.55	255031A2
690	18702-1	—	4.990	6.00	2.95	—	M30x2-6B LH	ECS/830008	28-8-3.00	RE155581
690	18753-1	—	4.990	6.00	2.10	2.001	6 @ 3.50	4735-43400-03	26-9-3.01	5015114M1
690	18784-1	—	4.990	6.00	1.21	—	M30x2-6G LH	4735-41393-111	24.5-9-3.50	GGD
690	18785-1	—	4.990	6.00	2.07	—	M30x2-6G LH	4735-41393-111	24.5-9-3.50	GGC
690	18799-1	cw	4.990	6.00	2.01	1.001	4 @ 2.34	ECS311771	26-8-3.00	—

\* The remaining information is not available

# Models 690 - 710

MODEL	PART#	ROT	FAN PILOT	FAN BC	LGTH	DRIVE PILOT	DRIVE BC	FAN PART#	FAN DESC	ID MARK
690	18801-1	—	4.990	6.00	3.82	2.205	6 @ 3.70	4735-41392-44	24-9-3.50	ETN EV-18801-1
690	18823-1	—	4.990	6.00	1.21	—	M30x2-6G LH	312695	25.51-8-3.35	3782779M91 (Fan & Drive Pt Number)
690	18872-1	—	4.990	6.00	1.21	—	M30x2-6G LH	312295	22.04-9-2.66	G916.201.040.010
690	18890-1	—	4.990	6.00	1.21	—	M30x2-6G LH	ECS/833022	24-8-3.55	383967A1
690	18920-1	—	4.990	6.00	1.77	1.004	4 @ 2.36(slots)	ECS/833022	24-8-3.55	374977A1
690	18937-1	—	4.990	6.00	1.21	—	M30x2-6G LH	ECS/833024	31-8-3.63	353846A1
690	18963-1	—	4.990	6.00	1.21	—	M30x2-6G LH	4735-43480-29	26-9-3.31	3C44-BO
690	18968-1	—	4.990	6.00	2.95	—	M30x2-6G LH	RE164616	—	RE164619
690	19005-1	—	4.990	6.00	2.11	2.001	6 @ 3.50	4735-41392-34	26-9-3.50	—
690	19026-2	cw	4.990	6.00	1.21	—	M30x2-6G LH	4735-43480-29	26-9-3.31	IC44-CB
690	19180-1	—	4.990	6.00	1.91	2.559	6 @ 3.50	4735-43480-33	??-9-3.31	—
690	19180-2	—	4.990	6.00	1.96	2.559	6 @ 3.50	4735-43480-33	??-9-3.31	—
690	19197-1	—	4.990	6.00	1.50	1.004	4 @ 2.50	RE181921	—	RE181927
690	19204-1	—	—	—	—	2.001	6 @ 3.50	—	26-5-2.03	3786708M92
690	19213-1	—	4.990	6.00	1.21	—	M30x2-6G LH	4735-43783-928	??-9-3.65	3786065M91 (Fan & Drive Part Number)
691	18038-1	cw	4.990	6.00	2.10	2.562	6 @ 3.50	917698	26-6-2.93	—
691	18038-2	cw	4.990	6.00	2.10	2.562	6 @ 3.50	917698	26-6-2.93	—
710	010010496	—	4.990	6.00	2.50	2.001	6 @ 4.15	R184313	—	RE190791A
710	010010981	—	4.990	6.00	1.21	—	M30x2-6G LH	ECS/833022	24-8-3.55	447916A1
710	010020246	—	4.990	6.00	2.84	—	M30X2-6H LH	RE164616	29-8-3.00	RE220071
710	15738-2	cw	4.990	6.00	1.38	2.054	6 @ 3.875	2027704	—	—
710	15763-2	cw	4.990	6.00	1.38	2.562	6 @ 3.875	2027706	—	HB
710	15765-2	—	4.990	6.00	2.10	2.000	6 @ 3.50/6 @ 3.88	917627	28-8-3.45	503192C91
710	15770-2	—	4.990	6.00	1.60	2.050	6 @ 3.50/6 @ 3.88	488329C1	—	488330C1
710	15782-2	cw	4.990	6.00	1.59	2.001	6 @ 3.50	491331C1	—	491332C1
710	15850-2	—	4.990	6.00	1.38	2.000	6 @ 3.50	2MH426	27.5-?-?	38MH43A
710	15909-2	—	4.990	6.00	1.38	2.562	6 @ 3.875	2061087	—	HK
710	16030-2	—	4.990	6.00	1.38	2.050	6 @ 3.875	2061086	—	HL
710	16145-3	—	4.990	6.00	1.67	3.228	6 @ 4.00	2064913	23-7-2.50	HT
710	16146-2	—	4.990	6.00	1.60	2.054	6 @ 3.50/6 @ 3.875	2MH29314	28-8-2.94	1MHA39310
710	16229-2	—	4.880	6.00	1.38	2.054	6 @ 3.875	2061086	—	HW
710	16233-2	cw	4.990	6.00	2.09	2.000	6 @ 3.50	4035-35480-33	30-6-2.83	05-12225-000
710	16557-1	—	4.990	6.00	1.38	2.054	6 @ 3.875	2063193	23-7-3.20	GA
710	16573-1	—	4.990	6.00	1.60	2.000	6 @ 3.50	4035-35480-07	28-6-2.83	EV-16573-1
710	16686-2	—	4.990	6.00	1.38	2.560	6 @ 3.5	2MH429	24-8-2.6	27-19-EV-16686-2
710	16740-1	—	4.990	6.00	1.60	2.000	6 @ 3.50	2MH429	24-8-2.46	38MH47
710	16747-1	—	4.990	6.00	1.38	2.000	6 @ 3.50	4035-35480-03	24-9-2.59	20822-0065
710	16891-1	—	4.990	6.00	1.60	2.000	6 @ 3.50	4035-35480-03	32-6-2.83	20822-3800
710	17235-1	—	4.990	6.00	2.10	2.000	6 @ 3.50	4035-38164-14	28-8-4.00	E5HS-DA
710	17284-1	—	4.990	6.00	2.10	2.000	6 @ 3.50	4035-37494-15	26-8-3.01	17284-1
710	17430-1	—	4.990	6.00	1.38	2.001	6 @ 3.50	4035-38825-47	26-6-2.83	EV-17430
710	17504-1	cw	4.990	6.00	1.38	2.000	6 @ 3.50	4035-35480-03	24-9-2.59	20822-0162
710	17539-1	—	4.990	6.00	2.10	2.000	6 @ 3.5	4035-37494-06	28-8-3.01	EV-17539-1
710	17585-1	cw	4.990	6.00	2.50	2.000	6 @ 3.50	4035-38164-77	27-8-4.00	E8HT-NA
710	17595-1	—	4.990	6.00	2.10	2.000	6 @ 3.50	4035-35480-33	30-6-2.83	EV-17595-1
710	17862-1	—	4.990	6.00	2.11	2.001	6 @ 3.50	RE46107	30-8-3.30	RE45342
710	17914-1	—	4.990	6.00	2.80	3.702	4 @ 4.409	917746	26.77-6-2.69	1675035
710	17914-2	cw	4.990	6.00	2.80	3.702	4 @ 4.409	917746	26.77-6-2.69	1675035

\* The remaining information is not available

# Models 710

MODEL	PART#	ROT	FAN PILOT	FAN BC	LGTH	DRIVE PILOT	DRIVE BC	FAN PART#	FAN DESC	ID MARK
710	17915-1	—	4.990	6.00	2.80	3.702	4 @ 4.409	917795	29.53-6-2.69	1675036
710	17915-3	—	4.990	6.00	2.80	3.702	8 @ 4.409	917795	29.53-6-2.69	1675036
710	17939-1	—	4.990	6.00	2.11	2.000	6 @ 3.50	ECS/80501634	27-8-??	9821597
710	17942-1	cw	4.990	6.00	2.50	2.001	6 @ 3.50	4035-41134-49	29.5-8-3.00	8073840
710	17993-1	—	4.990	6.00	2.10	2.000	6 @ 3.50	4035-41497-03	28.5-9-3.00	F2HS-AA
710	18100-1	—	4.990	6.00	1.21	—	M30x2-6G LH	4735-40518-05	24-9-2.59	—
710	18103-2	—	4.990	6.00	1.35	2.563	6 @ 4.00	ECS/421850	28-8-3.00	2(In Green Ink) & RE61540
710	18135-2	—	4.990	6.00	1.35	2.563	6 @ 4.00	ECS/421850	28-8-3.00	3(In Green Ink) & RE56541
710	18135-3	—	4.990	6.00	1.35	2.563	6 @ 4.00	ECS/421850	28-8-3.00	3(In Green Ink) & RE62517
710	18136-2	—	4.990	6.00	1.35	2.563	6 @ 4.00	ECS/421850	28-8-3.00	4(In Green Ink) & RE61542
710	18136-3	—	4.990	6.00	1.35	2.563	6 @ 4.00	ECS/421850	28-8-3.00	4(In Green Ink) & RE62518
710	18136-4	—	4.990	6.00	1.35	2.560	6 @ 4.00	ECS/421850	28-8-3.00	4(In Green ink) & RE63003
710	18164-1	cw	4.990	6.00	1.21	—	M30x2-6G LH	15679323	26-7-2.7	NX
710	18197-1	cw	4.990	6.00	—	—	M30x2-6G LH	15279523	—	GAC
710	18242-1	—	4.990	6.00	1.35	2.563	6 @ 4.00	ECS/421850	28-8-3.00	1(In Green Ink) & RE61761
710	18284-1	—	4.990	6.00	1.21	—	M30x2-6G LH	4035-41497-03	28.5-9-3.00	F6HT-HA
710	18284-2	—	4.990	6.00	1.21	—	M30x2-6G LH	4035-41497-03	28.5-9-3.00	—
710	18296-1	cw	4.990	6.00	1.21	—	M30x2-6G LH	15974939	—	GAW
710	18297-1	cw	4.990	6.00	1.21	—	M30x2-6G LH	15974939	—	GAX
710	18299-1	cw	4.990	6.00	1.21	—	M30x2-6G LH	15679323	26-7-2.7	GBF
710	18330-1	—	4.990	6.00	1.38	2.000	6 @ 3.50	4735-41134-43	32-8-3.00	05-19224
710	18367-1	—	4.990	6.00	2.10	2.560	6 @ 3.50	ECS	26-8-3.00	—
710	18375-1	—	4.990	6.00	2.01	1.000	4 @ 2.36	ECS311772	26-8-2.3	—
710	18375-2	—	4.990	6.00	4.36	1.001	4 @ 2.36	ECS311772	26-8-2.3	—
710	18420-1	cw	4.990	6.00	1.21	—	M30x2-6G LH	15032513	—	GPL
710	18421-1	cw	4.990	6.00	1.21	—	M30x2-6G LH	15032513	—	GPK
710	18424-1	cw	4.990	6.00	1.21	—	M30x2-6G LH	4735-41393-34	26-9-3.50	GBZ
710	18424-2	cw	4.990	6.00	1.21	—	M30x2-6G LH	4735-41393-34	26-9-3.50	GDP
710	18425-1	cw	4.990	6.00	1.21	—	M30x2-6G LH	4035-42600-31	26-10-2.90	GCB
710	18425-2	cw	4.990	6.00	2.07	—	M30x2-6G LH	4735-41393-34	26-9-3.50	GCT
710	18425-3	cw	4.990	6.00	2.07	—	M30x2-6G LH	4735-41393-34	26-9-3.50	GGA
710	18432-1	—	4.990	6.00	2.50	2.001	6 @ 3.50	ECS/412771	28-9-3.50	RE63883B
710	18580-1	cw	4.990	6.00	1.21	—	M30x2-6G LH	TX122785A	—	—
710	18581-1	cw	4.990	6.00	1.21	—	M30x2-6G LH	TX126257A	—	??
710	18582-1	cw	4.990	6.00	1.21	—	M30x2-6G LH	TX122784A	—	??
710	18649-1	—	4.990	6.00	2.54	1.000	4 @ 2.36	5105100M1	—	5015112M1
710	18650-2	—	4.990	6.00	2.10	2.000	6 @ 3.50	5015100M1	—	5015113M1
710	18672-1	—	4.990	6.00	2.10	2.560	6 @ 3.50	4735-42476-34	26-8-3.00	38MH424M
710	18676-1	cw	4.990	6.00	1.38	2.560	6 @ 3.50	4735-42476-34	26-8-3.00	38MH423M
710	18783-1	—	4.990	6.00	1.21	—	M30x2-6G LH	4735-41393-34	26-9-3.50	GGF
710	18786-1	—	4.990	6.00	2.07	—	M30x2-6G LH	4735-41393-34	26-9-3.50	GGB
710	18792-1	—	4.990	6.00	1.60	2.000	6 @ 3.50	4735-35480-07	28-6-2.83	5016266M1
710	18813-1	—	4.990	6.00	1.21	—	M30x2-6G LH	15051006	—	GFJ
710	18814-1	—	4.990	6.00	1.21	—	M30x2-6G LH	15051006	—	GFH
710	18825-1	—	4.990	6.00	1.21	—	M30x2-6G LH	312786	27.72-9-3.15	3781685M91 (Fan & Drive part number)
710	18842-1	—	4.990	6.00	1.94	2.091	6 @ 3.15	312518	27.72-8-4.7	USA
710	18844-1	—	4.990	6.00	2.65	2.091	6 @ 3.15	312518	27.72-8-4.7	844-1
710	18987-1	—	4.957	6.00	2.25	3.045	4 @ 2.5	312844	27.72-9-	—

\* The remaining information is not available



# Models 710 - 750

MODEL	PART#	ROT	FAN PILOT	FAN BC	LGTH	DRIVE PILOT	DRIVE BC	FAN PART#	FAN DESC	ID MARK
710	19170-1	—	4.990	6.00	1.35	2.562	6 @ 4.00	ECS/830008	28-8-3.00	RE188987A
710	19171-1	—	4.990	6.00	2.95	—	M30x2-6H LH	ECS/830008	28-8-3.00	RE188988A
710	19179-1	—	4.990	6.00	1.21	—	M30x2-6G LH	15094861	—	GGM
711	18152-1	—	4.990	6.00	1.21	—	M30x2-6G LH	4035-41497-07	26-9-3.00	—
712	020003073	—	4.990	6.00	2.33	—	1.25-18 UNEF-2B RH	3545609C1	—	—
712	020003074	—	4.990	6.00	2.85	—	1.25-18 UNEF-2B RH	3545609C1	—	—
712	020003468	CW	4.990	6.00	2.83	—	1.25-18 UNEF-2B LH	4735-43217-03	26-9-3.30	3604368C1
712	18124-1	—	4.990	6.00	1.21	—	M30x2-6G LH	4035-41497-07	26-9-3.00	F6HT-AA
712	18695-1	—	4.990	6.00	2.95	2.677	M30x2-6H LH	RE66338A	—	RE 152714
712	18713-1	cw	4.990	6.00	1.69	—	M30x2-6G LH	4735-43480-10	25-9-3.31	??
712	18716-1	cw	4.990	6.00	1.85	—	M30x2-6G LH	15011513A	—	??
712	18751-1	—	4.990	6.00	2.01	1.000	4 @ 2.36	312514	33.62-8-4.33	114523400
712	18921-1	—	4.990	6.00	1.50	1.004	4 @ 2.5	RE164616	—	RE169092
712	18922-1	—	4.990	6.00	2.50	2.001	6 @ 3.50	RE66339	28-9-3.70	RE 166467A
712	18969-1	—	4.990	6.00	2.80	2.759	6 @ 3.50	205-3578	—	196-4137
712	18969-2	—	4.990	6.00	2.80	2.759	6 @ 3.50	205-3578	—	218-1903 (Fan & Drive Part Number)
712	18970-1	—	4.990	6.00	3.88	2.759	6 @ 3.50	90-3398	—	—
712	18970-2	—	4.990	6.00	3.88	2.759	6 @ 6.00	90-3398	—	218 1964
712	19194-1	—	4.990	6.00	1.50	1.004	4 @ 2.50	RE181921	—	RE181930
712	19195-1	—	4.990	6.00	4.08	1.004	4 @ 2.50	RE181921	—	RE189801
712	19240-1	—	4.990	6.00	1.21	—	M30x2-6G LH	4735-43783-928	??-9-3.65	3789244M9 (Fan & Drive Part Number)
750	010019000	CW	5.000	6.00	2.08	—	M36X2-6H LH	4735-43783-09	24-9-3.65	—
750	010019561	CW	5.000	6.00	2.00	—	1.25-16UNF-2B LH	4735-41134-24	28-8-3.00	—
750	010020509	CCW	5.000	6.00	2.58	—	1.25-18UNF-2B RH	4735-43787-01	24-9-3.65	—
750	010020552	CCW	5.000	6.00	2.62	—	1.25-16UNF-2B RH	4735-43787-01	24-9-3.65	—
750	010020755	CW	5.000	6.00	2.85	—	1.25-16UNF-2B LH	1647111C3	26-7-2.83	—
750	010020791	CCW	5.000	6.00	2.58	—	1.25-18UNEF-2B RH	918693	24-7-3.17	—
750	010020893	CW	5.000	6.00	2.85	—	1.25-16UNF-2B LH	4735-43783-09	24-9-3.65	—
750	010021483	CW	5.000	6.00	3.51	—	M36x2-6H LH	4735-41134-39	25-8-3.00	—
750	1210-09153-01	CCW	5.000	6.00	2.58	—	1.25-16UNEF-2B RH	918693	24.0-7-2.46	—
750	1210-09155-01	CW	5.000	6.00	2.85	—	1.25-16UNF-2B LH	1647411C3	26.0-7-2.83	—
750	1210-09157-01	CW	5.000	6.00	2.85	—	1.25-16UNF-2B LH	1647411C3	26.0-7-2.83	—
750	1210-09157-02	CCW	5.000	6.00	2.70	—	1.25-16UNEF-2B RH	4735-42623-44	24.0-9-3.50	—
750	1210-09157-03	CW	5.000	6.00	2.85	—	1.25-16UNF-2B LH	4735-43783-09	24.0-9-3.65	—
750	1210-09157-05	CCW	5.000	6.00	2.58	—	1.25-16UNEF-2B RH	4735-43787-01	24.0-9-3.65	—
750	1210-09157-06	CW	5.000	6.00	2.85	—	1.25-16UNF-2B LH	1647411C3	26.0-7-2.83	—
750	1210-09157-07	CW	5.000	6.00	1.38	2.002	6-406-3.50	1647411C3	26.0-7-2.83	—
750	1210-09157-08	CW	5.000	6.00	1.38	—	6-406-3.50	1647411C3	26.0-7-2.83	—
750	1210-09157-09	CW	5.000	6.00	2.10	—	6-406-3.50	503194C1	28.0-8-3.45	6-344-3.88
750	1210-09157-10	CW	5.000	6.00	2.73	—	.750-16 UNF-2B LH	1647411C3	26.0-7-2.83	—
750	1210-09157-11	CW	5.000	6.00	2.31	—	.750-16 UNF-2B LH	1647411C3	26.0-7-2.83	—
750	1210-09157-12	CW	5.000	6.00	2.31	—	.750-16 UNF-2B LH	1647411C3	26.0-7-2.83	—
750	1210-09157-13	CW	5.000	6.00	2.85	—	1.25-16UNF-2B LH	503194C1	28.0-8-3.45	—
750	1210-09158-01	CW	5.000	6.00	2.85	—	1.25-16UNF-2B LH	917627	28.0-8-3.45	—
750	1210-09167-02	CW	5.000	6.00	3.51	—	M36x2-6H LH	4735-41134-39	25-8-3.00	—
750	1210-09167-03	—	5.000	6.00	2.85	—	1.25-16UNF-2B LH	4735-41134-24	28.0-8-3.00	—
750	1210-09167-03	CW	5.000	6.00	—	—	1.25-16 UNF-2B LH	4735-41134-24	28.0-8-3.00	—
750	1210-09167-04	CW	5.000	6.00	2.65	1.002	4-410-2.36	4735-43783-03	26.0-9-3.65	—

\* The remaining information is not available

# Models 750 - 800

MODEL	PART#	ROT	FAN PILOT	FAN BC	LGTH	DRIVE PILOT	DRIVE BC	FAN PART#	FAN DESC	ID MARK
750	1210-09167-05	CW	5.000	6.00	1.84	—	M30x2-6H LH	MD9	24.4 dia	—
750	1210-09167-07	CW	5.000	6.00	2.85	—	1.25-16UNF-2B LH	1647411C3	26.0-7-2.83	—
750	1210-09167-08	CW	5.000	6.00	—	—	—	918203	28.0-8-2.70	—
750	1210-09167-09	CW	5.000	6.00	2.16	2.563	6-406-3.88	917882	30.0-8-2.70	—
750	1210-09167-10	CW	5.000	6.00	2.16	2.563	6-406-3.88	917384	30.0-8-2.91	—
750	1210-09167-11	CW	5.000	6.00	1.38	2.002	6-406-3.50	917384	30.0-8-2.91	—
750	1210-09167-12	CW	5.000	6.00	1.38	2.002	6-406-3.50	1647411C2	26.0-7-2.83	—
750	1210-09167-13	CW	5.000	6.00	2.31	—	.750-16 UNF-2B LH	1647411C3	26.0-7-2.83	—
750	1210-09167-14	CW	5.000	6.00	2.31	—	.750-16 UNF-2B LH	1647411C2	26.0-7-2.83	—
750	1210-09167-15	CW	5.000	6.00	1.73	2.936	6-slots 3.88	917945	28.0-8-2.47	—
750	1210-09167-16	CW	5.000	6.00	1.75	—	2.25-8 UN-2A LH	917501	26.0-8-2.39	—
750	1210-09167-17	CW	5.000	6.00	2.12	1.003	4 slots 1.969	917696	24.0-7-2.40	—
750	1210-09167-18	CW	5.000	6.00	3.13	2.377	8-406-3.125	917110	23.4-7-2.60	—
750	1210-09167-19	CW	5.000	6.00	2.10	2.002	6-406-3.50	503194C1	28.0-8-3.45	6-344-3.88
750	1210-09167-20	CW	5.000	6.00	1.74	2.936	6 slots 3.88	917945	28.0-8-2.47	—
750	1210-09167-21	CW	5.000	6.00	2.10	2.002	6-406-3.50	917384	30.0-8-2.91	6-344-3.88
750	1210-09167-22	CW	5.000	6.00	—	—	1.25-16 UNF-2B LH	1647411C3	26.0-7-2.83	—
750	1210-09167-23	CW	5.000	6.00	2.10	2.002	6-406-3.50	503194C1	28.0-8-3.45	6-344-3.88
750	1210-09167-24	CW	5.000	6.00	1.94	—	1.25-16 UNF-2B LH	503194C1	28.0-8-3.45	—
750	1210-09167-25	CW	5.000	6.00	1.94	—	1.25-16 UNF-2B LH	1647411C3	26.0-7-2.83	—
750	1210-09167-26	CW	5.000	6.00	—	2.002	6-406-3.50	503194C1	28.0-8-3.45	6-344-3.88
750	1210-09167-27	CW	5.000	6.00	1.58	2.002	6-406-3.50	503194C1	28.0-8-3.45	6-344-3.88
750	1210-09167-28	CW	5.000	6.00	2.10	2.002	6-406-3.50	917112	24.0-7-3.18	6-344-3.88
750	1210-09167-29	CW	5.000	6.00	2.10	2.002	6-406-3.50	1611064C1	28.0-8-3.39	6-344-3.88
750	1210-09167-30	CW	5.000	6.00	1.38	2.002	6-406-3.50	917911	30.0-8-2.91	6-344-3.88
750	1210-09167-31	CW	5.000	6.00	2.88	0.750	4-344-2.125	918031	22.0-6-3.72	—
750	1210-09167-32	CW	5.000	6.00	1.38	2.002	6-406-3.50	1647411C3	26.0-7-2.83	—
750	1210-09167-33	—	5.000	6.00	1.38	2.002	6-406-3.50	1647411C3	26.0-7-2.83	—
750	1210-09167-34	CW	5.000	6.00	2.31	—	.750-16 UNF-2B LH	1647411C3	26.0-7-2.83	—
750	1210-09167-35	CW	5.000	6.00	2.31	—	.750-16 UNF-2B LH	1647411C3	26.0-7-2.83	—
750	1210-09167-36	CW	5.000	6.00	2.73	—	.750-16 UNF-2B LH	1647411C3	26.0-7-2.83	—
750	1210-09167-37	CCW	5.000	6.00	2.58	—	1.25-18 UNEF-2B RH	4735-43787-01	24.0-9-3.65	—
750	1210-09167-38	CW	5.000	6.00	2.85	—	1.25-18 UNEF-2B LH	1647411C3	26.0-7-2.83	—
750	1210-09167-39	CW	5.000	6.00	3.02	—	6-406-3.50	917110	23.4-7-2.60	—
750	1210-09167-40	CW	5.000	6.00	3.13	—	8-406-3.125	917110	23.4-7-2.60	Spec Spacing not uniform
750	1210-09167-41	CW	5.000	6.00	1.75	—	2.25-8 UN-2A LH	917110	23.4-7-2.60	—
750	1210-09167-42	CW	5.000	6.00	2.85	—	1.25-16 UNF-2B LH	1647411C3	26.0-7-2.83	—
750	1210-09167-43	CW	5.000	6.00	2.85	—	1.25-16 UNF-2B LH	4735-43783-09	24.0-9-3.65	—
750	1210-09167-46	CW	5.000	6.00	3.25	2.002	6-406-3.50	4735-41135-68	29.5-8-3.00	—
750	1210-09167-47	—	5.000	6.00	1.69	—	M30x2-6H LH	4375-43783-20	27.56-9-3.65	—
750	1210-09167-48	—	5.000	6.00	1.69	—	M30x2-6H LH	278432A1	—	—
750	1210-09167-51	—	5.000	6.00	1.38	2.002	4-.433-slots	4735-43782-13	??-9-3.65	—
790	010019721	CW	4.990	6.00	3.97	—	M36X2-6H LH	010019754	25-9-3.65	—
800	16784-1	—	6.990	8.44	2.15	2.001	6 @ 3.50	RE30166	—	RE30168
800	16784-3	—	6.990	8.44	2.15	2.001	6 @ 3.50	RE30160	30-8-3.3	RE30168
800	17038-1	cw	6.990	8.44	2.15	2.000	6 @ 3.50	4035-38585-02	30-8-4.00	—
800	17390-1	—	6.990	8.44	2.15	2.000	3.5	ECS/411717	32-8-3.30	RE-24149
800	17916-1	—	6.990	8.44	2.15	2.001	6 @ 3.50	ECS/411717	32-8-3.00	AZ39826
800	17931-1	cw	6.990	8.44	2.60	2.560	4 @ 4.252	312457	—	1675719

\* The remaining information is not available

VISCIOUS SPECS BY MODEL#

# Models 800 - DD22

MODEL	PART#	ROT	FAN PILOT	FAN BC	LGTH	DRIVE PILOT	DRIVE BC	FAN PART#	FAN DESC	ID MARK
800	18105-1	—	6.990	8.44	2.15	2.001	6 @ 3.50	ECS/411717	32-8-3.30	RE56310A
800	18122-1	—	6.990	8.44	2.15	2.000	6 @ 3.50	916808	30-8-3.21	2004142C91
800	18247-1	cw	6.990	8.44	2.15	2.000	6 @ 3.50	312628	28-9-3.307	05-19035
800	18433-1	—	6.990	8.44	2.40	2.001	6 @ 3.50	ECS/412586	31-8-3.92	RE62618B
800	18583-1	—	6.990	8.44	3.50	3.702	8 @ 4.409	918241	—	8149972
800	18775-1	—	6.990	8.44	2.40	2.560	6 @ 4.00	RE155339	31-8-3.60	RE159906
800	18891-1	—	6.990	8.44	2.88	2.999	6 @ 5.50	ECS/413232 to ECS/831043	32-8-3.50	430406A1
800	18891-2	—	6.990	8.44	2.88	2.999	6 @ 5.50	367202A1	—	384866A2
800	19238-1	—	6.990	8.44	2.15	2.001	6 @ 3.50	918349	—	3785758M91 (Fan & Drive part number)
802	18434-1	cw	6.990	8.44	2.15	2.000	6 @ 3.50	4035-37494-03	30-8-3.01	—
802	18537-1	—	6.990	8.44	3.50	3.702	8 @ 4.409	918241	—	8149338
805	10020365	CW	6.990	8.44	2.95	—	M20X2-6G LH	4735-42782-03	26-9-3.65	KYS010020365
805	010019556	CW	5.000	6.00	2.00	—	1.25-16UNF-2B LH	4735-43783-05	28-9-3.65	—
805	010020365	CW	5.000	6.00	2.95	—	M30x2-6G LH	4735-43782-03	26-9-3.65	—
805	010020805	CW	5.000	6.00	2.85	—	1.25-16UNF-2B LH	4735-43783-05	28-9-3.65	—
805	1210-09168-08	CW	5.000	6.00	1.69	—	M30X2-6H LH	4735-43783-20	27.56-9-3.65	—
805	1210-09168-09	CW	5.000	6.00	2.01	1.003	4-410-2.362	4735-43782-03	26-9-3.65	—
805	1210-09168-10	CW	5.000	6.00	3.82	2.205	4-354-3.70	4735-43782-03	26-9-3.65	—
805	1210-09168-12	CW	5.000	6.00	1.75	1.005	4-2.36(Slots)	389493A1	32-8-3.65	—
805	1210-09168-13	CW	5.000	6.00	—	2.000	6-406-3.50	4735-44003-11	30-11-3.72	—
805	1210-09168-14	CW	5.000	6.00	1.89	2.000	6-410-3.50	4735-43783-03	26-9-3.65	—
805	1210-09168-17	CW	5.000	6.00	2.95	1.000	4-410-2.36	4735-43783-03	26-9-3.65	—
805	1210-09168-01	CW	5.000	6.00	1.93	2.002	6-406-3.50	4735-42904-19	30.0-8-3.00	—
805	1210-09168-02	CW	5.000	6.00	1.91	2.002	6-406-3.50	4735-42904-19	30.0-8-3.00	—
805	1210-09168-03	CW	5.000	6.00	2.87	—	1.25-16 UNF-2B LH	4735-43783-05	28.0-9-3.65	—
805	1210-09168-04	CW	5.000	6.00	2.87	—	1.25-16 UNF-2B LH	4735-41393-16	30.0-9-3.50	—
805	1210-09168-05	CW	5.000	6.00	2.87	—	1.25-16 UNF-2B LH	4735-43783-07	26.0-9-3.65	—
805	1210-09171-01	CW	5.000	6.00	2.85	—	1.25-16 UNF-2B LH	4735-41393-16	30.0-9-3.50	—
810	010010281	—	6.990	8.44	4.60	2.000	6 @ 3.50	4735-44002-08	28-11-?	207-1608
810	010010498	—	6.990	8.44	2.50	2.001	6 @ 3.50	RE155339	31-8-3.60	RE190793A
810	010020537	—	6.990	8.44	2.50	2.001	6 @ 3.50	RE61177	31-8-3.92	RE220330
810	18772-1	—	6.990	8.44	1.87	2.001	6 @ 3.50	RE155339	31-8-3.60	RE159103
810	18803-2	—	6.990	8.44	2.84	—	M30x2-6H LH	ECS/831025	28-8-3.50	RE166013
810	18840-1	—	6.990	8.44	1.62	2.001	6 @ 3.50	ECS/411717	32-8-3.00	AZ54758
810	18898-1	—	6.990	8.44	2.50	2.001	6 @ 3.50	RE155339	31-8-3.60	RE170600A
810	18981-1	—	6.990	8.44	1.99	2.990	6 @ 5.50	392995A1	—	388710A1
810	18981-2	—	6.990	8.44	3.29	2.990	6 @ 5.50	392995A1	—	430406A1
810	19020-1	—	6.990	8.44	1.96	—	M30x2-6G LH	4735-44002-05	—	3C44-CO
810	19137-1	—	6.990	8.44	2.84	—	M30x2-6H LH	RE164615	29-8-3.19	RE184071
810	19159-1	—	6.990	8.44	2.84	—	M30x2-6H LH	ECS/831025	28-8-3.50	RE187516A
812	18794-1	—	6.990	8.44	3.50	3.702	8 @ ??	918241	—	—
812	18794-2	—	6.990	8.44	3.90	3.702	8 @ 4.409	918241	—	—
812	18794-3	—	6.990	8.44	2.54	3.702	8 @ 4.409	918241	—	3183758
812	18923-1	—	6.990	8.44	2.84	—	M30x2-6H LH	RE164615	29-8-3.19	RE 164613
DD22	166312	CW	3.250	3.81	2.12	0.750	4-344-2.75	917870	23.0-6-2.64	—
DD22	166398	CW	3.250	3.81	1.50	—	1.25-16UNF-2B LH	917404	18.0-10-2.1	—
DD22	166400	CW	3.250	3.81	1.21	—	M30-2-6H LH	917870	23.0-6-2.64	—
DD22	166445	CW	3.250	3.81	2.89	1.312	4-344-2.75	918638	22.0-6-2.49	—

\* The remaining information is not available

# Models DD22 - DD24

MODEL	PART#	ROT	FAN PILOT	FAN BC	LGTH	DRIVE PILOT	DRIVE BC	FAN PART#	FAN DESC	ID MARK
DD22	192019	CW	3.250	3.81	2.00	0.750	4-344-2.50	917405	20-10-2.20	—
DD22	192020	CW	3.250	3.81	1.20	—	M30-2-6G LH	917405	20-10-2.20	—
DD22	192034	CW	—	—	1.20	0.749	1.086/1.090	917407	22-10-2.20	—
DD22	192051	—	3.250	3.81	1.20	—	M30x2-6G LH	917456	22-10-1.99	—
DD22	192251	CW	3.250	3.81	1.20	—	M30-2-6G LH	917404	18-10-1.99	—
DD22	192312	—	3.250	3.81	1.20	—	M30-2-6H LH	917433	—	—
DD22	192379	CW	3.250	3.81	1.20	—	M30-2-6H LH	917456	22-10-2.09	—
DD22	194268	CW	3.250	3.81	2.38	0.750	4-344-2.125	1700691C1	22.0-6-2.29	—
DD22	194564	CW	3.250	3.81	1.38	0.750	4-344-2.75	917870	23.0-6-2.64	—
DD22	194729	CW	3.250	3.81	2.38	0.750	4-344-2.125	1700691C1	22.0-6-2.29	—
DD22	194730	CW	3.250	3.81	1.38	0.750	4-344-2.75	1700707C1	22.0-6-2.51	—
DD22	194763	CW	3.250	3.81	2.00	0.750	4-344-2.50	917404	18.0-10-2.1	—
DD22	196375	CW	3.250	3.81	1.45	1.002	4-344-1.969	917404	18.0-10-2.1	4-410-2.360
DD22	196427	CW	3.250	3.81	1.38	0.750	4-344-2.75	917870	23.0-6-2.64	—
DD22	196575	CW	3.250	3.81	2.00	0.750	4-344-2.50	917103	20.0-7-2.06	—
DD22	196576	CW	3.250	3.81	2.12	0.750	4-344-2.75	917104	21.0-7-2.00	—
DD22	196579	CW	3.250	3.81	1.45	1.002	4-410-2.360	917689	20.0- -2.02	—
DD22	196805	CW	3.250	3.81	1.45	1.002	4-344-1.969	917691	22.0-10-2.2	4-410-2.360
DD22	197123	CW	3.250	3.81	1.95	1.002	4-344-1.969	917404	18.0-10-2.1	SLOTS
DD22	197211	CW	3.250	3.81	1.38	2.002	4-406-3.50	917870	23.0-6-2.64	—
DD22	197990	CW	3.250	3.81	1.45	1.002	4-344-1.969	917691	22.0-10-2.3	4-410-2.360
DD22	198174	CW	3.250	3.81	1.95	1.002	4-344-1.969	917404	18.0-10-2.1	SLOTS
DD22	199067	CW	3.250	3.81	1.95	1.002	4-344-1.969	917404	18.0-10-2.1	—
DD22	199806	CW	3.250	3.81	2.73	—	.750-16 UNF-2B LH	917870	23.0-6-2.64	—
DD22	199808	CW	3.250	3.81	2.31	—	.750-16 UNF-2B LH	917870	23.0-6-2.64	—
DD22	199833	CW	3.250	3.81	1.38	0.750	4-344-2.125	1666941C1	22.0-6-2.63	—
DD22	199882	CW	3.250	3.81	2.38	0.750	4-344-2.125	1666941C1	22.0-6-2.63	—
DD22	X166719	CW	3.250	3.81	1.45	1.002	4-410-2.360	917689	20-10-2.02	—
DD24	189952	CW	5.000	6.00	1.20	—	1.25-16UN-2B LH	3TA-RB	22.0-8-2.46	—
DD24	192005	CW	5.000	6.00	1.38	2.002	6-406-3.50	917239	24-7-2.40	—
DD24	192006	CW	5.000	6.00	1.20	—	M30-2-6G LH	917127	22.0-7-2.50	—
DD24	192036	—	5.000	6.00	2.99	2.002	6-406-3.50	917411	24- -2.99	—
DD24	192095	CW	5.000	6.00	2.04	3.937	4-M8-5.118	917339	23.6273.40	—
DD24	192307	—	5.000	6.00	—	2.002	6-406-3.50	917437	—	—
DD24	192797	CW	5.000	6.00	1.38	2.002	6-406-3.50	916612	23.0-7-3.20	—
DD24	192838	CW	5.000	6.00	1.38	2.002	6-406-3.50	917339	23.7-7-2.36	—
DD24	193251	CW	5.000	6.00	1.38	2.563	6-406-3.50	917239	24-7-2.40	—
DD24	194330	CW	5.000	6.00	1.75	2.517	6-344-3.307	917203	22.0-7-2.56	—
DD24	194731	CW	5.000	6.00	1.38	2.002	6-406-3.50	916612	23.0-7-3.20	—
DD24	194732	CW	5.000	6.00	1.38	2.002	6-406-3.50	916612	23.0-7-3.20	—
DD24	196080	CW	5.000	6.00	1.20	—	1.25-16UN-2B LH	3TA-RB	22.0-8-2.46	—
DD24	196405	CW	5.000	6.00	1.38	2.002	6-406-3.50	917696	24-7-2.40	—
DD24	196442	CW	5.000	6.00	1.38	2.056	6-344-3.88	917696	24-7-2.40	—
DD24	196571	CW	5.000	6.00	1.38	2.503	6-340-3.50	917203	22.0-7-2.56	—
DD24	196856	CW	5.000	6.00	2.38	0.750	4-344-2.125	917905	22.0-7-2.46	—
DD24	196928	CW	5.000	6.00	1.45	1.002	4-344-1.969	917696	24-7-2.40	4-410-2.360
DD24	197092	CW	5.000	6.00	1.38	2.002	6-406-3.50	1647411C1	26.0-8-2.67	—
DD24	197207	CW	5.000	6.00	1.38	0.750	4- -2.75	917696	24-7-2.40	—
DD24	197423	CW	5.000	6.00	1.75	2.517	6-344-3.307	917203	22.0-7-2.56	—

\* The remaining information is not available

VISCIOUS SPECS BY MODEL#

# Models DD24 - DD26

MODEL	PART#	ROT	FAN PILOT	FAN BC	LGTH	DRIVE PILOT	DRIVE BC	FAN PART#	FAN DESC	ID MARK
DD24	197595	CW	5.000	6.00	2.38	0.750	4-344-2.125	917905	22.0-7-2.46	—
DD24	197897	CW	5.000	6.00	1.38	2.002	6-406-3.50	1647411C1	26.0-8-2.67	—
DD24	198048	CW	5.000	6.00	2.12	2.563	6-433-3.50	917698	26.0-6-2.93	—
DD24	198065	CW	5.000	6.00	2.88	0.750	4-344-2.125	918031	22.0-6-3.68	—
DD24	198946	CW	5.000	6.00	1.38	2.563	6-406-3.50	917239	24-7-2.40	—
DD24	313344	CW	5.000	6.00	1.38	2.002	6-406-3.50	918109	26.0-6-2.56	—
DD24	313345	CW	5.000	6.00	1.38	2.002	6-406-3.50	918109	26.0-6-2.56	—
DD24	313531	CW	—	—	1.21	—	M30x2-6H LH	918192	23.22-6-3.67	—
DD24B	313835	CCW	5.000	6.00	1.38	2.002	6-406-3.50	917741	26.776-2.56	—
DD26	166054	CW	5.000	6.00	2.87	—	1.25-16 UNF-2B LH	1647411C2	26.0-8-2.75	—
DD26	166227	CW	5.000	6.00	2.83	2.757	4-M8-4.252	S01695	22.0-6-3.67	—
DD26	166259	CW	5.000	6.00	2.14	1.003	4-410-1.968	916779	26.0-6-2.70	Slots
DD26	166283	CW	5.000	6.00	2.87	—	1.25-16 UNF-2B LH	1647411C2	26.0-8-2.72	—
DD26	166756	CW	5.000	6.00	2.75	—	.750-16 UNF-2B LH	1647411C2	26.0-8-2.72	—
DD26	166881	CC	5.000	6.00	2.60	—	1.25-18UNEF-2B RH	918694	24-7-2.46	—
DD26	166895	CW	5.000	6.00	2.00	0.750	4-344-2.125	S-1882	23.0-7-2.46	—
DD26	166909	CW	5.000	6.00	2.02	1.003	4-440-2.362	ECS(311788)	—	Slots
DD26	167118	CW	5.000	6.00	2.33	—	.750-16 UNF-2B LH	1647411C2	26.0-8-2.67	—
DD26	167120	CW	5.000	6.00	2.75	—	.750-16 UNF-2B LH	916612	23.0-7-3.20	—
DD26	167121	CW	5.000	6.00	2.83	2.757	4-460-3.937	918556	24.4-6-3.67	4-M8-4.252
DD26	167122	CW	5.000	6.00	2.75	—	.750-16 UNF-2B LH	1647411C2	26.0-8-2.67	—
DD26	167222	CW	5.000	6.00	2.90	0.750	4-344-2.125	918031	22-6-3.72 PW	—
DD26	167332	CW	5.000	6.00	2.75	—	.750-16 UNF-2B LH	1647411C2	26.0-8-2.72	—
DD26	167341	CW	5.000	6.00	2.87	—	1.25-16UNF-2B LH	1647411C2	26.0-8-2.72	—
DD26	167401	CC	5.000	6.00	1.40	1.854	4-M10-1.5-6H-2.992	918717	22.1-6-3.67	—
DD26	167421	CC	5.000	6.00	2.60	—	1.25-18UNEF-2B RH	918694	24-7-2.46	—
DD26	168821	CW	5.000	6.00	2.12	2.563	6-433-3.50	917698	26.0-6-2.93	—
DD26	169366	CW	5.000	6.00	2.33	—	.750-16 UNF-2B LH	1647411C2	26.0-8-2.67	—
DD26	169530	CW	5.000	6.00	2.83	2.757	4-M8-4.252	S01695	22.0-6-3.67	—
DD26	169538	CW	5.000	6.00	1.40	2.002	6-406-3.50	917413	22.0-7-2.40	—
DD26	169539	—	5.000	6.00	2.83	2.757	4-460-3.937	918556	24.4-6-3.67	4-M8-4.252
DD26	169575	CW	5.000	6.00	2.87	—	1.25-16 UNF-2B LH	1647411C2	26.0-8-2.72	—
DD26	169684	CW	5.000	6.00	2.87	—	1.25-16 UNF-2B LH	1647411C2	26.0-8-2.75	—
DD26	169955	CW	5.000	6.00	1.77	—	2.25-8UN-2A LH	4735-43217-03	26-9-3.30	—
DD26	170637	CCW	5.000	6.00	1.40	2.563	6 holes-M10X1.5-6H	4735-43368-59	23.62-9-3.31	—
DD26	182587	CW	5.000	6.00	1.40	2.563	6-406-3.50	916603	24-6-2.46	—
DD26	182845	CW	5.000	6.00	2.58	2.002	6-406-3.50	916496	22.0-6-2.93	—
DD26	182848	CW	5.000	6.00	2.12	2.055	6-344-3.88	916507	26.0-6-2.83	—
DD26	182851	CW	5.000	6.00	1.40	2.002	6-406-3.50	916535	24-6-2.59	—
DD26	183125	CW	5.000	6.00	1.40	2.563	6-406-3.50	916603	24-7-2.46	—
DD26	183631	CW	5.000	6.00	2.58	2.002	6-406-3.50	916496	22.0-6-2.93	—
DD26	183641	CW	5.000	6.00	3.24	4.502	6-406-3.50	916501	23.0-7-2.66	—
DD26	183830	CW	5.000	6.00	2.58	2.002	6-406-3.50	916496	22.0-6-2.93	—
DD26	183831	CW	5.000	6.00	2.58	2.002	6-406-3.50	916496	22.0-6-2.93	—
DD26	183832	CW	5.000	6.00	1.70	2.002	6-344-4.00	916635	22- -2.66	—
DD26	183835	CW	5.000	6.00	1.77	—	2.25-8UN-2A LH	916501	23.0-7-2.66	—
DD26	183979	CW	5.000	6.00	1.40	2.002	6-406-3.50	916535	24-6-2.59	—
DD26	184064	CW	5.000	6.00	1.40	2.055	6-406-3.88	916535	24-6-2.59	—
DD26	184239	CW	5.000	6.00	1.40	2.055	6-344-3.88	916670	22.5- -3.31	—

\* The remaining information is not available

# Models DD26

MODEL	PART#	ROT	FAN PILOT	FAN BC	LGTH	DRIVE PILOT	DRIVE BC	FAN PART#	FAN DESC	ID MARK
DD26	184394	CW	5.000	6.00	3.03	4.502	6-406-3.50	916501	23.0-7-2.66	—
DD26	184553	CW	5.000	6.00	2.12	2.056	6-344-3.88	916501	23.0-7-2.66	—
DD26	184692	CW	5.000	6.00	3.00	1.248	6-344-4.00	916778	22.0-7-3.20	—
DD26	184876	CW	5.000	6.00	1.40	2.002	6-406-3.50	916621	22.0-7-3.20	—
DD26	184942	CW	5.000	6.00	2.58	2.002	6-406-3.50	916496	22.0-6-2.93	—
DD26	185009	CW	5.000	6.00	2.08	2.055	6-344-3.88	916507	26.0-6-2.83	—
DD26	185362	CW	5.000	6.00	3.15	2.377	4-406-3.125	916897	23.0-7-2.82	—
DD26	185524	CW	5.000	6.00	1.77	—	2.25-8UN-2A LH	917110	23.4-7-2.60	—
DD26	185615	CW	5.000	6.00	1.40	2.002	6-406-3.50	916779	26.0-6-2.70	—
DD26	185616	CW	5.000	6.00	1.60	2.055	6-344-3.88	916779	26.0-6-2.70	—
DD26	185644	CW	5.000	6.00	1.96	2.055	6-406-3.88	916612	23.0-7-3.21	—
DD26	185687	CW	5.000	6.00	1.70	3.120	6-344-4.00	2053610	22.0-7-2.66	—
DD26	186116	CW	5.000	6.00	1.77	—	2.25-8UN-2A LH	916897	23.0-7-2.82	—
DD26	186345	CW	5.000	6.00	1.40	2.002	6-406-3.50	916612	23.0-7-3.21	—
DD26	186474	CW	5.000	6.00	1.40	2.002	6-406-3.50	916603	24-7-2.46	—
DD26	186575	CW	5.000	6.00	1.70	3.120	6-344-4.00	2053610	22.0-7-2.66	—
DD26	187058	CW	5.000	6.00	3.00	1.248	6-344-4.00	916981	23.0-7-2.66	—
DD26	187110	CW	5.000	6.00	3.00	1.248	6-344-4.00	916778	22.0-7-3.20	—
DD26	187170	CW	5.000	6.00	3.16	2.377	8-406-3.125	916897	23.0-7-2.82	—
DD26	187180	CW	5.000	6.00	3.27	4.209	6-344-3.50	916501	23.0-7-2.66	—
DD26	187242	CW	5.000	6.00	1.40	2.002	6-406-3.50	916612	23.0-7-3.20	—
DD26	187457	CW	5.000	6.00	1.40	2.002	6-406-3.50	492145C1	00.0-0-0.00	—
DD26	187583	CW	5.000	6.00	3.00	4.502	6-406-3.50	916501	23.0-7-2.66	—
DD26	187781	CW	5.000	6.00	1.40	2.563	6-406-3.50	916603	24-6-2.46	—
DD26	188576	CW	5.000	6.00	1.38	2.055	6-406-3.88	2063193	23.0-7-3.20	—
DD26	189002	CW	5.000	6.00	1.77	—	2.25-8UN-2A LH	917110	23.4-7-2.60	—
DD26	189812	CW	5.000	6.00	2.12	2.002	6-406-3.50	917112	24-7-3.18	—
DD26	189995	CW	5.000	6.00	1.40	2.002	6-406-3.50	917156	24-7-3.18	—
DD26	191399	CW	5.000	6.00	1.40	2.002	6-406-3.50	916612	23.0-7-3.20	—
DD26	191431	CW	5.000	6.00	1.40	2.563	6-406-3.50	916603	24.3-6-2.46	—
DD26	191472	CW	5.000	6.00	1.40	2.002	6-406-3.50	917140	26.0-8-2.94	—
DD26	193089	CW	5.000	6.00	1.40	2.502	6-313/18-3.50	917203	22.0-7-2.56	—
DD26	193389	CW	5.000	6.00	2.12	2.002	6-406-3.50	E2HT-AD	00.0-0-0.00	—
DD26	193742	CW	5.000	6.00	2.12	2.002	6-406-3.50	917112	24-7-3.18	—
DD26	193862	CW	5.000	6.00	2.12	2.002	6-406-3.50	917110	23.4-7-2.60	—
DD26	194098	CW	5.000	6.00	1.40	2.055	6-406-3.88	2063193	23.0-7-3.20	—
DD26	194373	CW	5.000	6.00	1.40	2.002	6-406-3.50	916535	24-6-2.59	—
DD26	194861	CW	5.000	6.00	1.40	2.563	6-406-3.50	917239	24-7-2.40	—
DD26	194862	CW	5.000	6.00	1.40	2.563	6-406-3.50	917239	24-7-2.40	—
DD26	194884	CW	5.000	6.00	1.40	2.002	6-406-3.50	917413	22.0-7-2.40	—
DD26	194904	CW	5.000	6.00	1.40	2.002	6-406-3.50	917694	22.0-7-2.40	—
DD26	194986	CW	5.000	6.00	1.40	2.002	6-406-3.50	1647411C1	26.0-8-2.67	—
DD26	196079	CW	5.000	6.00	1.40	2.502	6-313/18-3.50	917203	22.0-7-2.56	—
DD26	196131	CW	5.000	6.00	2.14	1.003	4-410-1.968	917696	24-7-2.40	Slots
DD26	196181	CW	5.000	6.00	1.40	2.002	6-406-3.50	1647411C1	26.0-8-2.67	—
DD26	196532	CW	5.000	6.00	3.04	4.502	6-406-3.50	917110	23.4-7-2.60	—
DD26	196566	CW	5.000	6.00	2.97	1.248	6-344-4.00	917110	23.4-7-2.60	—
DD26	196567	CW	5.000	6.00	3.15	2.377	4-406-3.125	917110	23.4-7-2.60	—
DD26	196568	CW	5.000	6.00	1.77	—	2.25-8UN-2A LH	917110	23.4-7-2.60	—

VISCIOUS SPECS BY MODEL#

\* The remaining information is not available

# Models DD26 - DD30

MODEL	PART#	ROT	FAN PILOT	FAN BC	LGTH	DRIVE PILOT	DRIVE BC	FAN PART#	FAN DESC	ID MARK
DD26	196753	CW	5.000	6.00	2.12	2.563	6-433-3.50	917698	26.0-6-2.93	—
DD26	197036	CC	5.000	6.00	1.40	1.854	4-M10-1.250 6H-76.00 mm BC	917933	23.2-6-2.44	—
DD26	197089	CW	5.000	6.00	2.12	2.002	6-406-3.50	917930	25.2-7-3.63	—
DD26	197099	CW	5.000	6.00	1.40	2.055	6-406-3.88	916612	23.0-7-3.20	—
DD26	197137	CW	5.000	6.00	3.04	4.502	6-406-3.50	917110	23.4-7-2.60	—
DD26	197442	CW	5.000	6.00	1.40	2.002	6-406-3.50	917140	26.0-8-2.94	—
DD26	197496	CW	5.000	6.00	1.40	1.655	6-M10-1.25-6H	917967	24.6-6-3.38	—
DD26	197753	CW	5.000	6.00	2.12	2.563	6-433-3.50	917698	26.0-6-2.93	—
DD26	197780	CW	5.000	6.00	1.77	1.003	M30-2-6H LH	917930	25.2-7-3.63	—
DD26	197853	CW	5.000	6.00	2.12	2.002	6-406-3.50	918012	24.4-7-3.63	—
DD26	197879	CW	5.000	6.00	1.40	2.002	6-406-3.50	1647411C1	26.0-8-2.67	—
DD26	197886	CW	5.000	6.00	1.40	2.002	6-406-3.50	1647411C1	26.0-8-2.67	—
DD26	197890	CW	5.000	6.00	3.00	1.248	6-344-4.00	917110	23.4-7-2.60	—
DD26	197891	CW	5.000	6.00	3.15	2.377	4-406-3.125	917110	23.4-7-2.60	—
DD26	197968	CW	5.000	6.00	2.03	2.517	6-344-3.307	917923	24-6-2.89	—
DD26	199159	CW	5.000	6.00	3.16	2.377	4-406-3.125	918556	24.35-6-3.67	—
DD26	199463	CW	5.000	6.00	2.83	2.757	4-460-3.937	918556	24.4-6-3.67	4-M8-4.252
DD26	199508	CW	5.000	6.00	2.12	3.937	6-433-3.1496	918564	26.46-6-2.56	—
DD26	199792	CW	5.000	6.00	2.14	1.003	M30-1.5-5H LH	917696	24-7-2.40	—
DD26	199807	CW	5.000	6.00	2.33	—	.750-16 UNF-2B LH	1647411C2	26.0-8-2.67	—
DD26	199809	CW	5.000	6.00	2.75	—	.750-16 UNF-2B LH	916612	23.0-7-3.20	—
DD26	199810	CW	5.000	6.00	2.33	—	.750-16 UNF-2B LH	1647411C2	26.0-8-2.67	—
DD26	199811	CW	5.000	6.00	2.33	—	.750-16 UNF-2B LH	916612	23.0-7-3.20	—
DD26	199812	CW	5.000	6.00	2.75	—	.750-16 UNF-2B LH	1647411C2	26.0-8-2.67	—
DD26	199847	CW	5.000	6.00	2.58	2.002	6-406-3.50	917795	29.5-6-2.69	—
DD26	199854	CW	5.000	6.00	1.77	—	M30-2-6H LH	918595	26.0-6-2.56	—
DD26	X166012	CW	5.000	6.00	1.29	—	1.25-16UNF-2B LH	S01214	22.0-6-3.21	—
DD28	192320	CCW	5.000	6.00	1.40	2.002	6-406-3.50	918132	28-6-2.56	—
DD30	166223	CW	5.000	6.00	2.87	—	1.25-16UNF-2B LH	917627	28.0-8-3.45	—
DD30	167046	CW	5.000	6.00	2.87	—	1.25-16UNF-2B LH	1647411C2	26.0-8-2.72	—
DD30	167047	CW	5.000	6.00	2.87	—	1.25-16UNF-2B LH	1647411C2	26.0-8-2.72	—
DD30	167071	CC	5.000	6.00	2.60	—	1.25-18UNEF-2B RH	918693	24-7-3.17	—
DD30	167524	CW	5.000	6.00	2.87	—	1.25-16UNF-2B LH	1647411C2	26.0-8-2.72	—
DD30	169532	CW	5.000	6.00	2.12	2.002	6-433-3.50	917605	30.0-8-2.70	—
DD30	169533	CW	5.000	6.00	1.97	4.517- 1.627	6-433-3.78	Same as 192131	—	—
DD30	169535	CW	5.000	6.00	2.49	2.563	4-388-4.252	917797	29.47-8-2.70	—
DD30	169540	—	5.000	6.00	2.12	2.002	6-433-3.50	918203	28.0-8-2.70	—
DD30	169541	—	5.000	6.00	2.12	2.002	6-433-3.50	918203	28.0-8-2.70	—
DD30	169543	CW	5.000	6.00	2.12	2.002	6-406-3.50	917883	28.0-8-270	—
DD30	169683	CW	5.000	6.00	2.87	—	1.25-16UNF-2B LH	1647411C2	26.0-8-2.72	—
DD30	187282	CW	5.000	6.00	1.40	2.002	6-406-3.50	917015	30.0-8-2.89	—
DD30	187509	CW	5.000	6.00	1.38	2.563	6-406-3.88	2061087	28.0-8-2.79	—
DD30	187603	CW	5.000	6.00	1.40	2.055	6-344-3.88	917015	30.0-8-2.86	—
DD30	187670	CW	5.000	6.00	2.12	2.002	6-406-3.50	917027	30.0-8-2.89	—
DD30	187678	CW	5.000	6.00	1.77	—	2.25-8UN-2A LH	917501	26.0-8-2.39	—
DD30	187745	CW	5.000	6.00	2.19	2.563	6-406-3.88	917015	30.0-8-2.86	—
DD30	187747	CW	5.000	6.00	2.19	2.563	6-406-3.88	917015	30.0-8-2.86	—
DD30	188206	CW	5.000	6.00	1.40	2.002	6-406-3.50	917015	30.0-8-2.86	—
DD30	188207	CW	5.000	6.00	1.40	2.055	6-406-3.88	917015	30.0-8-2.86	—

\* The remaining information is not available

# Models DD30

MODEL	PART#	ROT	FAN PILOT	FAN BC	LGTH	DRIVE PILOT	DRIVE BC	FAN PART#	FAN DESC	ID MARK
DD30	188607	CW	5.000	6.00	2.12	2.002	6-406-3.50	503194C1	28.0-8-3.45	6-344-3.88
DD30	188640	CW	5.000	6.00	2.12	2.002	6-406-3.50	503194C1	28.0-8-3.45	6-344-3.88
DD30	188667	CW	5.000	6.00	2.12	2.002	6-406-3.50	917384	30.0-8-2.91	—
DD30	189176	CW	5.000	6.00	2.12	2.002	6-406-3.50	917015	30.0-8-2.89	—
DD30	189457	CW	5.000	6.00	1.38	2.002	6-406-3.50	917096	28.0-8-2.79	—
DD30	189811	CW	5.000	6.00	1.38	2.055	6-406-3.88	917137	26.0-8-2.92	—
DD30	192118	CW	5.000	6.00	2.12	2.002	6-406-3.50	917605	30.0-8-2.70	—
DD30	192119	CW	5.000	6.00	2.12	2.002	6-433-3.50	917729	26.8-8-2.86	—
DD30	192131	CW	5.000	6.00	1.97	1.627	4-433-3.50	19819517466	00.0-0-0.00	—
DD30	192231	CW	5.000	6.00	2.49	2.563	4-388-4.252	917797	29.47-8-2.70	—
DD30	192937	CW	5.000	6.00	2.12	2.055	6-344-3.88	917027	30.0-8-2.89	—
DD30	193324	CW	5.000	6.00	2.19	2.563	6-406-3.88	917372	32.0-8-2.01	—
DD30	193609	CW	5.000	6.00	1.40	2.002	6-406-3.50	917372	32.0-8-2.01	—
DD30	193707	CW	5.000	6.00	1.40	2.563	6-406-3.88	2061087	28.0-8-2.80	—
DD30	194038	CW	5.000	6.00	2.12	2.002	6-406-3.50	917112	24-7-3.18	6-344-3.88
DD30	194099	CW	5.000	6.00	1.40	2.055	6-344-3.88	917137	26.0-8-2.94	—
DD30	194374	CW	5.000	6.00	1.40	2.002	6-406-3.50	917372	32.0-8-2.01	—
DD30	194854	CW	5.000	6.00	2.89	2.563	6-406-3.50	917836	28.0-8-2.92	—
DD30	194974	CW	5.000	6.00	2.12	2.002	6-406-3.50	1611064C1	28.0-8-3.39	6-344-3.88
DD30	196101	CW	5.000	6.00	1.60	2.055	6-344-3.88	503194C1	28.0-8-3.45	6-406-3.50
DD30	196102	CW	5.000	6.00	1.60	2.055	6-344-3.88	491331C1	27.25-8-3.5	6-406-3.50
DD30	196103	CW	5.000	6.00	1.60	2.002	6-406-3.50	503194C1	28.0-8-3.45	6-344-3.88
DD30	196135	CW	5.000	6.00	2.12	2.002	6-406-3.50	503194C1	28.0-8-3.50	6-344-3.88
DD30	196224	CW	5.000	6.00	1.60	2.055	6-344-3.88	916612	23.0-7-3.20	6-406-3.50
DD30	196291	CW	5.000	6.00	1.40	2.002	6-406-3.50	1647411C1	26.0-8-2.67	—
DD30	196309	CW	5.000	6.00	2.19	2.563	6-406-3.88	917015	30.0-8-2.86	—
DD30	196350	CW	5.000	6.00	2.12	2.002	6-406-3.50	1611064C1	28.0-8-3.39	6-344-3.88
DD30	196384	CW	5.000	6.00	1.40	2.002	6-406-3.50	917372	32.0-8-2.01	—
DD30	196569	CW	5.000	6.00	1.77	—	2.25-8UN-2A LH	917501	26.0-8-2.39	—
DD30	196654	CW	5.000	6.00	1.40	2.002	6-406-3.50	917882	30.0-7-2.86	—
DD30	196733	CW	5.000	6.00	2.14	1.003	4-440-2.362	917891	28.0-6-3.27	Slots
DD30	196792	CW	5.000	6.00	2.12	2.002	6-406-3.50	917027	30.0-8-2.91	—
DD30	196932	CW	5.000	6.00	1.40	2.002	6-406-3.50	917911	30.0-8-2.91	—
DD30	196944	CW	5.000	6.00	2.12	2.055	6-344-3.88	917389	30.0-8-2.89	—
DD30	197135	CW	5.000	6.00	2.19	2.563	6-406-3.88	917932	28.0-8-2.46	—
DD30	197145	CW	5.000	6.00	1.76	2.936	6-406-3.88	917945	28.0-8-2.47	—
DD30	197189	CW	5.000	6.00	1.76	2.936	6-406-3.88	917945	28.0-8-2.47	SLOTS
DD30	197424	CW	5.000	6.00	2.89	2.563	6-406-3.50	917836	28.0-8-2.92	—
DD30	197434	CW	5.000	6.00	2.12	2.002	6-406-3.50	917389	30.0-8-2.91	—
DD30	197448	CW	5.000	6.00	2.19	2.563	6-406-3.88	917015	30.0-8-2.86	—
DD30	197449	CW	5.000	6.00	1.40	2.002	6-406-3.50	917882	30.0-7-2.86	—
DD30	197870	CW	5.000	6.00	1.60	2.002	6-406-3.50	917096	28.0-8-2.79	—
DD30	197873	CW	5.000	6.00	2.12	2.002	6-406-3.50	917112	24-7-3.18	6-344-3.88
DD30	197877	CW	5.000	6.00	1.40	2.002	6-406-3.50	917372	32.0-8-2.11	—
DD30	197882	CW	5.000	6.00	1.60	2.055	6-344-3.88	503194C1	28.0-8-3.45	6-406-3.50
DD30	197883	CW	5.000	6.00	1.60	2.002	6-406-3.50	503194C1	28.0-8-3.45	6-344-3.88
DD30	197885	CW	5.000	6.00	2.12	2.002	6-406-3.50	503194C1	28.0-8-3.45	6-344-3.88
DD30	197887	CW	5.000	6.00	1.60	2.055	6-344-3.88	916612	23.0-7-3.20	6-406-3.50
DD30	197888	CW	5.000	6.00	1.40	2.002	6-406-3.50	1647411C1	26.0-8-2.67	—

\* The remaining information is not available



# Models DD30 - DD34

MODEL	PART#	ROT	FAN PILOT	FAN BC	LGTH	DRIVE PILOT	DRIVE BC	FAN PART#	FAN DESC	ID MARK
DD30	197892	CW	5.000	6.00	1.77	—	2.25-8UN-2A LH	917501	26.0-8-2.39	—
DD30	198038	CW	5.000	6.00	1.76	2.936	6-410-3.88	917945	28.0-8-2.47	SLOTS
DD30	198039	CW	5.000	6.00	1.77	—	2.25-8UN-2A LH	917501	26.0-8-2.39	—
DD30	198241	CW	5.000	6.00	2.12	2.002	6-406-3.50	20801-3206	30.0-8-2.88	—
DD30	198242	CW	5.000	6.00	2.12	2.002	6-406-3.50	20801-3206	30.0-8-2.88	—
DD30	198847	CW	5.000	6.00	2.58	2.002	6-406-3.50	4035-38164-77	27.0-8-3.37	—
DD30	199628	CW	5.000	6.00	2.12	2.002	6-406-3.50	917384	30.0-8-2.91	—
DD30	199880	CW	5.000	6.00	2.75	—	.750-16 UNF-2B LH	917627	28.0-8-3.45	—
DD30	313205	—	5.000	6.00	2.12	2.002	6-433-3.50	918203	28.0-8-2.70	—
DD30	313846	—	5.000	6.00	2.12	2.002	6-433-3.50	918203	28.0-8-2.70	—
DD30	314754	CW	5.000	6.00	2.12	2.002	6-406-3.50	917883	28.0-8-270	—
DD30	X189785	CW	5.000	6.00	1.40	2.002	6-433-3.50	917140	26.0-8-2.94	—
DD30	X198385	CW	5.000	6.00	2.12	2.563	6-433-3.50	3116238173	—	—
DD30	X199840	CW	5.000	6.00	3.27	2.002	6-406-3.50	917797	29.5-8-2.70	—
DD30	X199852	CW	5.000	6.00	1.77	—	M30-2-6H LH	918594	26.0-6-3.67	—
DD32	149091	CW	7.000	8.44	1.98	1.627	6-406-3.781	916830	28.0-8-3.21	—
DD32	151232	CC	7.000	8.44	1.98	1.627	6-406-3.781	915995	32.0-8-3.03	—
DD32	151647	CC	7.000	8.44	3.24	2.875	6-406-5.00	914595	28.0-8-2.66	—
DD32	156314	CW	7.000	8.44	2.14	2.002	6-406-3.50	916830	28.0-8-3.21	—
DD32	156339	CW	7.000	8.44	1.98	2.055	6-344-3.88	916830	28.0-8-3.21	—
DD32	159559	CW	7.000	8.44	2.19	2.563	6-406-4.62	916830	28.0-8-3.21	—
DD32	159805	CW	7.000	8.44	1.98	3.690	6-406-4.62	916682	28.0- -3.08	—
DD32	180101	CW	7.000	8.44	1.98	1.627	6-406-3.781	916830	28.0-8-3.21	—
DD32	180465	CW	7.000	8.44	2.14	2.002	6-391-3.50	914108	28.08-8-2.6	—
DD32	181111	CW	7.000	8.44	2.04	2.563	6-440-3.50	916369	22.5- -2.92	—
DD32	181946	CW	7.000	8.44	2.14	4.877	4-406-3.75	916374	23.0-8-3.51	—
DD32	182493	CC	7.000	8.44	3.24	2.875	6-406-5.00	914595	28.0-8-2.66	—
DD32	182698	CW	7.000	8.44	1.98	—	—	916374	23.0-8-3.51	—
DD32	183143	CW	7.000	8.44	1.98	2.056	6-344-3.88	916264	30.0-8-3.21	—
DD32	183145	CW	7.000	8.44	2.14	2.002	6-406-3.50	916264	30.0-8-3.21	—
DD32	183710	CW	7.000	8.44	2.14	2.002	6-406-3.50	915998	32.0-8-3.21	—
DD32	183797	CW	7.000	8.44	2.18	2.002	6-406-3.50	916105	26.3-8-2.69	6-344-3.88
DD32	184843	CW	7.000	8.44	1.98	3.690	6-406-4.62	916264	30.0-8-3.21	—
DD32	184844	CW	7.000	8.44	2.19	2.563	6-406-4.62	916264	30.0-8-3.21	—
DD32	184946	CW	7.000	8.44	2.19	2.563	6-406-4.62	916381	28-8-2.47	—
DD32	185399	CW	7.000	8.44	2.90	2.563	6-406-3.50	D7HT-TA	30.0-8-2.96	—
DD32	185532	CW	7.000	8.44	2.93	2.056	6-344-3.88	916264	30.0-8-3.21	—
DD32	185905	CW	7.000	8.44	2.19	3.690	6-406-4.62	916636	32.0-8-3.21	—
DD32	185938	CW	7.000	8.44	2.14	2.002	6-406-3.50	916808	30.6-8-3.21	6-344-3.88
DD32	186107	CW	7.000	8.44	1.98	2.056	6-344-3.88	916264	30.0-8-3.21	—
DD32	186296	CW	7.000	8.44	2.14	2.002	6-406-3.50	916374	23.0-8-3.51	—
DD32	187218	CW	7.000	8.44	2.19	2.563	6-406-4.62	916495	32-8-1.92	—
DD32	187243	CW	7.000	8.44	2.14	2.002	6-406-3.50	915993	28.0-8-3.06	6-344-3.88
DD32	191398	CW	7.000	8.44	1.98	1.627	6-406-3.781	916654	30.0-8-3.21	—
DD32	191401	CW	7.000	8.44	2.18	2.002	6-406-3.50	916105	26.3-8-2.69	6-344-3.88
DD32	191529	CW	7.000	8.44	2.14	2.002	6-406-3.50	916264	30.0-8-3.21	—
DD34	166499	CW	7.000	8.44	2.87	—	1.25-16UNF-2B LH	916797	28.0-8-3.51	—
DD34	166923	CW	7.000	8.44	2.13	2.002	6-406-3.50	4035-37494-03	30.0-8-3.01	—
DD34	166924	CW	7.000	8.44	2.13	2.002	6-406-3.50	4035-37494-01	32.0-8-3.01	—

\* The remaining information is not available

# Models DD34

MODEL	PART#	ROT	FAN PILOT	FAN BC	LGTH	DRIVE PILOT	DRIVE BC	FAN PART#	FAN DESC	ID MARK
DD34	166931	CW	7.000	8.44	2.18	2.563	6-406-4.62	4035-37494-03	30.0-8-3.01	—
DD34	167007	CW	7.000	8.44	2.13	2.002	6-406-3.50	4035-37494-03	30.0-8-3.01	—
DD34	168065	CW	7.000	8.44	3.27	2.002	6-406-3.50	4035-37494-87	29.5-8-3.00	—
DD34	168607	CW	7.000	8.44	2.14	2.002	6-406-3.50	916830	28.0-8-3.21	—
DD34	168608	CW	7.000	8.44	1.98	2.055	6-344-3.88	916830	28.0-8-3.21	—
DD34	168609	CW	7.000	8.44	2.19	2.563	6-406-4.62	916830	28.0-8-3.21	—
DD34	168610	CW	7.000	8.44	2.14	2.002	6-406-3.50	915993	28.0-8-3.06	6-344-3.88
DD34	168611	CW	7.000	8.44	1.98	1.627	6-406-3.781	916830	28.0-8-3.21	—
DD34	168759	CW	7.000	8.44	2.13	2.002	6-406-3.50	4735-37494-01	32.0-8-3.01	—
DD34	186152	CW	7.000	8.44	2.13	2.002	6-406-3.50	916949	32.0-8-3.21	—
DD34	186315	CW	7.000	8.44	2.18	2.563	6-406-4.62	916949	32.0-8-3.21	—
DD34	186593	CW	7.000	8.44	2.92	2.056	6-344-3.88	D7HA-SA	00.0-0-0.00	—
DD34	187161	CW	7.000	8.44	1.97	2.056	6-344-3.88	916949	32.0-8-3.21	—
DD34	187182	CW	7.000	8.44	2.13	2.002	6-406-3.50	916797	28.0-8-3.49	6-344-3.88
DD34	187199	CW	7.000	8.44	2.13	2.002	6-406-3.50	916682	28.0-8-3.08	—
DD34	187200	CW	7.000	8.44	1.97	2.056	6-344-3.88	916682	28.0-8-3.08	—
DD34	187331	CW	7.000	8.44	2.89	2.563	6-406-3.50	D7HA-TA	30.0-8-2.96	—
DD34	187414	CW	7.000	8.44	1.97	3.690	6-406-4.62	916636	32.0-8-3.21	—
DD34	187415	CW	7.000	8.44	2.13	2.002	6-406-3.50	916636	32.0-8-3.21	—
DD34	187416	CW	7.000	8.44	2.18	3.690	6-406-4.62	916636	32.0-8-3.21	—
DD34	187417	CW	7.000	8.44	1.97	3.690	6-406-4.62	916264	30.0-8-3.21	—
DD34	187418	CW	7.000	8.44	2.18	3.690	6-406-4.62	916636	32.0-8-3.21	—
DD34	187428	CW	7.000	8.44	2.92	2.056	6-344-3.88	D7HA-SA	00.0-0-0.00	—
DD34	187604	CW	7.000	8.44	2.13	2.002	6-406-3.50	916827	30.0-8-3.19	—
DD34	187605	CW	7.000	8.44	2.18	2.563	6-406-4.62	916827	30.0-8-3.19	—
DD34	187606	CW	7.000	8.44	2.18	2.563	6-406-4.62	D5HA-TB	30.0-8-2.50	—
DD34	187607	CW	7.000	8.44	1.97	2.056	6-344-3.88	916827	30.0-8-3.19	—
DD34	187608	CW	7.000	8.44	1.97	3.690	6-406-4.62	916264	30.0-8-3.21	—
DD34	187671	CW	7.000	8.44	2.13	2.002	6-406-3.50	917028	32.0-8-3.21	—
DD34	187684	CW	7.000	8.44	1.97	1.627	6-406-3.781	917028	32.0-8-3.21	—
DD34	187697	CW	7.000	8.44	2.18	2.563	6-406-4.62	D5HA-TB	30.0-8-2.50	—
DD34	187739	CW	7.000	8.44	2.13	2.002	6-406-3.50	916949	32.0-8-3.21	—
DD34	187740	CW	7.000	8.44	2.18	2.563	6-406-4.62	916949	32.0-8-3.21	—
DD34	187741	CW	7.000	8.44	1.97	2.056	6-344-3.88	916949	32.0-8-3.21	—
DD34	187805	CW	7.000	8.44	2.18	2.563	6-406-4.62	916677	30.0-8-3.21	—
DD34	187806	CW	7.000	8.44	2.13	2.002	6-406-3.50	916827	30.0-8-3.21	—
DD34	187807	CW	7.000	8.44	1.97	2.056	6-344-3.88	916827	30.0-8-3.21	—
DD34	187808	CW	7.000	8.44	2.18	2.563	6-406-4.62	916827	30.0-8-3.21	—
DD34	188121	CW	7.000	8.44	2.13	2.002	6-406-3.50	916682	28.0-8-3.08	—
DD34	188126	CW	7.000	8.44	2.13	2.002	6-406-3.50	916654	30.0-8-3.21	—
DD34	188208	CW	7.000	8.44	2.92	2.056	6-344-3.88	D7HA-SA	00.0-0-0.00	—
DD34	188209	CW	7.000	8.44	2.13	2.002	6-406-3.50	916797	28.0-8-3.49	6-344-3.88
DD34	188210	CW	7.000	8.44	2.89	2.563	6-406-3.50	D7HT-TA	30.0-8-2.96	—
DD34	188212	CW	7.000	8.44	2.13	2.002	6-406-3.50	917028	32.0-8-3.21	—
DD34	188213	CW	7.000	8.44	1.97	1.627	6-406-3.781	917028	32.0-8-3.21	—
DD34	188223	CW	7.000	8.44	2.18	2.563	6-406-4.62	916682	28.0-8-3.08	—
DD34	188245	CW	7.000	8.44	2.13	2.002	6-406-3.50	916608	30.0-8-3.21	6-344-3.88
DD34	188543	CW	7.000	8.44	2.18	2.563	6-406-4.62	917046	28.0-8-2.48	—
DD34	188547	CW	7.000	8.44	1.97	2.056	6-344-3.88	916682	28.0-8-3.08	—

\* The remaining information is not available

# Models DD34

MODEL	PART#	ROT	FAN PILOT	FAN BC	LGTH	DRIVE PILOT	DRIVE BC	FAN PART#	FAN DESC	ID MARK
DD34	188680	CW	7.000	8.44	2.13	2.002	6-406-3.50	916264	30.0-8-3.21	6-344-3.88
DD34	188723	CW	7.000	8.44	1.97	2.055	6-344-3.88	310670	00.0-0-0.00	—
DD34	188781	CW	7.000	8.44	2.18	2.563	6-406-4.62	917046	28.0-8-2.48	—
DD34	188958	CW	7.000	8.44	2.13	2.002	6-406-3.50	916949	32.0-8-3.21	6-344-3.88
DD34	189033	CW	7.000	8.44	2.13	2.002	6-406-3.50	915993	28.0-8-2.94	6-344-3.88
DD34	189035	CW	7.000	8.44	2.13	2.002	6-406-3.50	916713	28.0-8-3.39	—
DD34	189036	CW	7.000	8.44	1.97	1.627	6-406-3.781	916908	32.0-8-2.74	—
DD34	189038	CW	7.000	8.44	1.97	1.627	6-406-3.781	916733	32.0-8-2.29	—
DD34	189039	CW	7.000	8.44	2.13	2.002	6-406-3.50	916625	28.0-8-2.57	—
DD34	189040	CW	7.000	8.44	2.13	2.002	6-406-3.50	916785	28.0-8-3.08	—
DD34	189042	CW	7.000	8.44	1.97	2.056	6-344-3.88	916733	32.0-8-2.29	—
DD34	189043	CW	7.000	8.44	1.97	2.056	6-344-3.88	916625	28.0-8-2.57	—
DD34	189044	CW	7.000	8.44	1.97	2.056	6-344-3.88	916625	28.0-8-2.57	—
DD34	189194	CW	7.000	8.44	2.13	2.002	6-406-3.50	916495	32.0-8-1.92	—
DD34	189195	CW	7.000	8.44	2.18	2.563	6-406-4.62	916495	32.0-8-1.92	—
DD34	189297	CW	7.000	8.44	2.89	2.563	6-406-3.50	917139	33.0-8-2.45	—
DD34	189774	CW	7.000	8.44	2.18	2.563	6-406-4.62	916682	28.0-8-3.08	—
DD34	192372	CW	7.000	8.44	2.13	2.002	6-406-3.50	917938	30.0-8-2.70	—
DD34	192938	CW	7.000	8.44	1.97	2.056	6-344-3.88	917028	32.0-8-3.21	—
DD34	193511	CW	7.000	8.44	2.18	3.690	6-406-4.62	917345	32.0-8-2.79	—
DD34	193758	CW	7.000	8.44	2.12	2.002	6-406-3.50	917504	30.0-8-3.21	—
DD34	193789	CW	7.000	8.44	1.97	3.690	6-406-4.62	917345	32.0-8-2.79	—
DD34	193864	CW	7.000	8.44	2.18	2.563	6-406-4.62	916827	30.0-8-3.21	—
DD34	193893	CW	7.000	8.44	2.89	2.563	6-406-3.50	917046	28.0-8-2.48	—
DD34	193919	CW	7.000	8.44	2.18	2.563	6-406-4.62	917046	28.0-8-2.48	—
DD34	193958	CW	7.000	8.44	2.13	2.002	6-406-3.50	916949	32.0-8-3.21	—
DD34	194020	CW	7.000	8.44	3.52	2.002	6-406-3.50	916677	30.0-8-3.21	—
DD34	194021	CW	7.000	8.44	2.72	2.002	6-406-3.50	916636	32.0-8-3.21	—
DD34	194129	CW	7.000	8.44	2.18	2.563	6-406-4.62	916949	32.0-8-3.21	—
DD34	194163	CW	7.000	8.44	1.98	2.056	6-344-3.88	915998	32.0-8-3.21	—
DD34	194169	CW	7.000	8.44	2.13	2.002	6-406-3.50	916495	32.0-8-1.92	—
DD34	194182	CW	7.000	8.44	2.18	2.563	6-406-4.62	917046	28.0-8-2.48	—
DD34	194189	CW	7.000	8.44	2.18	2.563	6-406-4.62	916950	32.0-8-2.77	—
DD34	194264	CW	7.000	8.44	1.97	1.627	6-406-3.781	916522	32.0-8-3.21	—
DD34	194324	CW	7.000	8.44	2.89	2.563	6-406-3.50	D7HA-TA	30.0-8-2.96	—
DD34	194545	CW	7.000	8.44	2.72	2.563	6-406-4.62	916636	32.0-8-3.21	—
DD34	194631	CW	7.000	8.44	3.08	2.764	5-500-4.528	916636	32.0-8-3.21	—
DD34	194767	CW	7.000	8.44	2.13	2.002	6-406-3.50	916797	28.0-8-3.49	6-344-3.88
DD34	194785	CW	7.000	8.44	2.72	2.764	5-500-4.528	916636	32.0-8-3.21	—
DD34	196002	CW	7.000	8.44	2.13	2.002	6-406-3.50	917028	32.0-8-3.21	—
DD34	196050	CW	7.000	8.44	3.08	2.764	5-500-4.528	917345	32.0-8-2.85	—
DD34	196078	CW	7.000	8.44	2.18	2.563	6-406-4.62	916495	32.0-8-2.03	—
DD34	196133	CW	7.000	8.44	2.13	2.002	6-406-3.50	916797	28.0-8-3.50	6-344-3.88
DD34	196302	CW	7.000	8.44	2.18	2.563	6-406-4.62	917046	28.0-8-2.48	—
DD34	196407	CW	7.000	8.44	2.13	2.002	6-406-3.50	915993	28.0-8-2.94	6-344-3.88
DD34	196408	CW	7.000	8.44	3.52	2.002	6-406-3.50	916677	30.0-8-3.21	—
DD34	196409	CW	7.000	8.44	2.72	2.002	6-406-3.50	916636	32.0-8-3.21	—
DD34	196410	CW	7.000	8.44	2.72	2.764	5-500-4.528	916636	32.0-8-3.21	—
DD34	196455	CW	7.000	8.44	1.97	1.627	6-406-3.781	916908	32.0-8-2.74	—

\* The remaining information is not available

# Models DD34 - DM22

MODEL	PART#	ROT	FAN PILOT	FAN BC	LGTH	DRIVE PILOT	DRIVE BC	FAN PART#	FAN DESC	ID MARK
DD34	196456	CW	7.000	8.44	1.97	1.627	6-406-3.781	916733	32.0-8-2.29	—
DD34	196501	CW	7.000	8.44	2.89	2.563	6-406-3.50	917046	28.0-8-2.48	—
DD34	196617	CW	7.000	8.44	2.13	2.002	6-406-3.50	916636	32.0-8-3.21	—
DD34	196704	CW	7.000	8.44	2.13	2.002	6-406-3.50	916808	30.0-8-3.21	6-344-3.88
DD34	196710	CW	7.000	8.44	1.97	3.690	6-406-4.62	916636	32.0-8-3.21	—
DD34	196943	CW	7.000	8.44	1.97	2.056	6-344-3.88	917028	32.0-8-3.21	—
DD34	197040	CW	7.000	8.44	1.97	3.690	6-406-4.62	917345	32.0-8-2.79	—
DD34	197050	CW	7.000	8.44	2.13	2.002	6-406-3.50	916797	28.0-8-3.49	6-344-3.88
DD34	197131	CW	7.000	8.44	2.18	2.563	6-406-4.62	917046	28.0-8-2.48	—
DD34	197141	CW	7.000	8.44	2.14	2.936	6-406-4.62	917046	28.0-8-2.48	—
DD34	197185	CW	7.000	8.44	2.14	2.936	6-406-4.62	917046	28.0-8-2.48	—
DD34	197702	CW	7.000	8.44	1.97	1.627	6-406-3.781	917028	32.0-8-3.21	—
DD34	197703	CW	7.000	8.44	1.97	1.627	6-406-3.781	916522	32.0-8-3.21	—
DD34	197704	CW	7.000	8.44	2.13	2.002	4-406-3.50	917028	32.0-8-3.21	—
DD34	197705	CW	7.000	8.44	2.13	2.002	4-406-3.50	916654	30.1-8-3.21	—
DD34	197754	CW	7.000	8.44	2.89	2.563	6-406-3.50	917046	28.0-8-2.48	—
DD34	197778	CW	7.000	8.44	2.13	2.002	6-406-3.50	916797	28.0-8-3.51	6-344-3.88
DD34	197805	CW	7.000	8.44	2.13	2.002	6-406-3.50	916797	28.0-8-3.51	6-344-3.88
DD34	197869	CW	7.000	8.44	2.13	2.002	6-406-3.50	916713	28.0-8-3.39	—
DD34	197871	CW	7.000	8.44	2.13	2.002	6-406-3.50	916504	30.0-8-3.21	—
DD34	197872	CW	7.000	8.44	1.97	3.690	6-406-4.62	917345	32.0-8-2.79	—
DD34	197874	CW	7.000	8.44	2.13	2.002	6-406-3.50	916495	32.0-8-1.92	—
DD34	197875	CW	7.000	8.44	2.18	2.563	6-406-4.62	916950	32.0-8-2.77	—
DD34	197876	CW	7.000	8.44	1.97	1.627	6-406-3.781	916522	32.0-8-3.21	—
DD34	197878	CW	7.000	8.44	2.72	2.563	6-406-4.62	916636	32.0-8-3.21	—
DD34	197880	CW	7.000	8.44	2.13	2.002	6-406-3.50	917028	32.0-8-3.21	—
DD34	197881	CW	7.000	8.44	3.08	2.764	5-500-4.528	917028	32.0-8-2.79	—
DD34	197884	CW	7.000	8.44	2.13	2.002	6-406-3.50	916797	28.0-8-3.51	6-344-3.88
DD34	197889	CW	7.000	8.44	2.89	2.563	6-406-3.50	917046	28.0-8-2.48	—
DD34	197893	CW	7.000	8.44	2.13	2.002	6-406-3.50	916636	32.0-8-3.21	—
DD34	197894	CW	7.000	8.44	2.13	2.002	6-406-3.50	916808	30.1-8-3.21	6-344-3.88
DD34	197895	CW	7.000	8.44	1.97	3.690	6-406-4.62	916636	32.0-8-3.21	—
DD34	197896	CW	7.000	8.44	1.97	3.690	6-406-4.62	917345	32.0-8-2.79	—
DD34	198195	CW	7.000	8.44	2.13	2.002	6-406-3.50	4035-37494-31	30.0-8-3.01	—
DD34	198197	CW	7.000	8.44	2.13	2.002	6-406-3.50	4035-37494-31	30.0-8-3.01	—
DD34	198212	CW	7.000	8.44	2.13	2.002	6-406-3.50	917198	32.0-8-2.86	—
DD34	198249	CW	7.000	8.44	2.13	2.002	6-406-3.50	1611610C1	28.0-8-3.39	6-344-3.88
DD34	198276	CW	7.000	8.44	2.89	2.563	6-406-3.50	917046	28.0-8-2.48	—
DD34	198387	CW	7.000	8.44	2.18	2.936	6-406-4.62	917046	28.0-8-2.48	Slots
DD34	198859	CW	7.000	8.44	2.13	2.002	6-406-3.50	916808	30.1-8-3.21	6-344-3.88
DD34	199076	CW	7.000	8.44	3.52	2.002	6-406-3.50	917937	28.0-8-2.86	—
DD34	199412	CW	7.000	8.44	2.13	2.002	6-406-3.50	1611610C1	28.0-8-3.39	6-344-3.88
DD34	199511	CW	7.000	8.44	2.13	2.002	6-406-3.50	4735-37494-01	32.0-8-3.01	—
DD34	199576	CW	7.000	8.44	1.97	5.560	6-406-4.62	918090	29.0-8-2.7	—
DD34	315118	CW	7.000	8.44	2.12	2.002	6-406-3.50	918250	—	6-344-3.88
DI32	182681	CW	7.000	8.44	1.98	2.056	6-344-3.88	916374	23.0-8-3.51	—
DM22	199578	CW	3.250	3.81	1.45	1.003	4-440-2.362	918572	17.8-7-3.10	Slots
DM22	313465	CW	3.250	3.81	3.64	3.152	4-438-3.810	918156	22.0-10-2.1	—
DM22	TA2127	CW	—	—	1.50	1.002	—	RE34436	—	—

VISCIOUS SPECS BY MODEL#

\* The remaining information is not available

# Models DM24 - SD60

MODEL	PART#	ROT	FAN PILOT	FAN BC	LGTH	DRIVE PILOT	DRIVE BC	FAN PART#	FAN DESC	ID MARK
DM24	315714	CW	5.000	6.00	1.21	—	M30x2-6H LH	918192	23.22-6-3.67	—
DM24C	192399	—	5.000	6.00	2.04	3.937	4-M8-125-6H-5.118	918170	23.62-6-3.63	—
DM26	169531	CC	—	—	1.40	1.854	4-M10X1.5-6H-2.992	Same as 167401	22.1-6-3.67	—
DM26	186302	CW	5.000	6.00	1.40	2.563	6-M10-1.5-6	AR94950	23.8-8-2.59	—
DM26	194421	CW	5.000	6.00	1.40	2.563	6-M10-1.5-6	AR94950	00.0-0-0.00	—
DM26	196054	CW	5.000	6.00	2.14	1.003	4-440-2.362	917850	23.69-6-3.68	Slots
DM26	198057	CW	5.000	6.00	1.40	2.563	6-M10-1.5-6	AR94950	00.0-0-0.00	—
DM28	186330	CW	5.000	6.00	1.40	2.563	6-406-4.62	SK3817	00.0-0-0.00	—
DM30	186303	CW	5.000	6.00	1.40	2.563	6-M10-1.5-6	AR94949	25.0-8-2.72	—
DM30	194422	CW	5.000	6.00	1.40	2.563	6-M10-1.5-6	AR94949	00.0-0-0.00	—
DM30	199986	CW	5.000	6.00	2.14	1.003	4-SLOTS-2.362	917850	23.69-6-3.68	—
DM34	169534	—	—	—	1.97	1.627	6-41-3.78	Same as 192142	—	—
DM34	186333	CW	7.000	8.44	2.13	2.002	6-406-3.50	SK9512	32.0-8-3.00	—
DM34	194097	CW	7.000	8.44	2.13	2.002	6-406-3.50	SK9512	32.0-8-3.00	—
DM34	194423	CW	7.000	8.44	2.13	2.002	6-406-3.50	SK9512	32.0-8-3.00	—
DM34	194534	CC	7.000	8.44	2.13	2.002	6-406-3.50	917595	28.0-8-2.94	—
ED26	169380	CC	5.000	6.00	2.35	—	1.25-18UNEF-2B RH	918747	24.0-7-3.17	—
ED30	167852	CC	5.000	6.00	2.35	—	1.25-18UNEF-2B RH	918747	24.0-7-3.17	—
ED30	169422	CW	5.000	6.00	2.87	—	—	918900	28.0-8-3.04	—
MDD	010010699	CCW	4.990	6.00	1.01	—	M30X1.5-6H RH	4035-43930-01	26-9-2.70	52028879AC
MDD	010010733	CCW	4.990	6.00	2.04	—	M40X2.0-6H RH	4035-44051-01	23.25-9-2.25	3C34-8A616-AD
MDD	010011136	CCW	4.990	6.00	1.01	—	M30X1.5-6H RH	4035-43930-01	26-9-2.70	52028879AD
MDD	010011245	CCW	4.990	6.00	1.01	—	M30X1.5-6H RH	4035-43930-01	26-9-2.70	52028879AE
MDD	010011648	CCW	4.990	6.00	1.01	—	M30X1.5-6H RH	4035-43930-01	26-9-2.70	52028879AF
MDD	010018958	CCW	4.990	6.00	2.04	—	M40X2.0-6H RH	4035-44051-01	23.25-9-2.25	4C34-8A616-AB
MDD	010019035	CCW	4.990	6.00	2.04	—	M40X2.0-6H RH	4035-44051-01	23.25-9-2.25	3C34-8A616-AE
MDD	010020073	CCW	4.990	6.00	1.01	—	M30X1.5-6H RH	4035-43930-01	26-9-2.70	55056990AA
MDD	010020427	CCW	4.990	6.00	1.01	—	M30X1.5-6H RH	4035-43930-01	26-9-2.70	55056990AA
MDD	010020619	CCW	4.990	6.00	2.04	—	M40X2.0-6H RH	4035-44051-01	23.25-9-2.25	4C34-8A616-SPA
SA	1210-09168-08	CW	—	—	1.69	—	M30X2-6H LH	4735-43783-20	27.56-9-3.65	—
SA55	1210-09166-01	CW	—	—	2.38	0.750	4-344-2.125	918278	—	Obsolete10/17/00
SA65	1210-09152-01	CCW	5.000	6.00	2.58	—	1.25-16UNEF-2B RH	918694	24.0-7-2.46	—
SA65	1210-09154-01	CW	5.000	6.00	2.85	—	1.25-16UNF-2B LH	918901	26.0-7-2.83	—
SA65	1210-09156-01	CW	5.000	6.00	2.85	—	1.25-16UNF-2B LH	918901	26.0-7-2.83	—
SA65	1210-09156-02	CCW	5.000	6.00	2.58	—	1.25-16UNEF-2B RH	918693	24.0-7-3.17	—
SD60	166301	CW	—	—	2.38	0.750	4-344-2.125	1700691C1	22.0-6-2.29	—
SD60	166302	CW	—	—	1.38	0.750	4.344-2.75	917870	23.0-6-2.64	—
SD60	166303	CW	—	—	1.38	0.750	4-344-2.75	917870	23.0-6-2.64	—
SD60	166304	CW	—	—	2.31	—	.750-16UNF-2B LH	917870	23.0-6-2.64	—
SD60	166305	CW	—	—	1.38	0.750	4-344-2.125	1666941C1	22.0-6-2.63	—
SD60	166306	CW	—	—	2.38	0.750	4-344-2.125	1666941C1	22.0-6-2.63	—
SD60	167119	CW	—	—	2.38	0.750	4-344-2.125	1666941C1	22.0-6-2.63	—
SD60	167124	CW	—	—	2.31	—	.750-16UNF-2B LH	917870	23.0-6-2.64	—
SD60	168815	CW	—	—	1.20	—	M30x2-6H LH	917456	22.0-10-1.99	—
SD60	169306	CW	—	—	1.45	1.002	4-344-1.969	917404	18.0-10-2.1	4-410-2.360
SD60	169307	CW	—	—	1.45	1.002	4-410-2.360	917689	20.0- -2.02	4-344-1.969
SD60	169308	CW	—	—	1.45	1.002	4-344-1.969	917691	22.0-10-2.2	4-410-2.360
SD60	169309	CW	—	—	1.45	1.002	4-344-1.969	917691	22.0-10-2.2	4-410-2.360
SD60	169542	CW	—	—	1.20	—	M30x2-6H LH	918278	—	—

\* The remaining information is not available

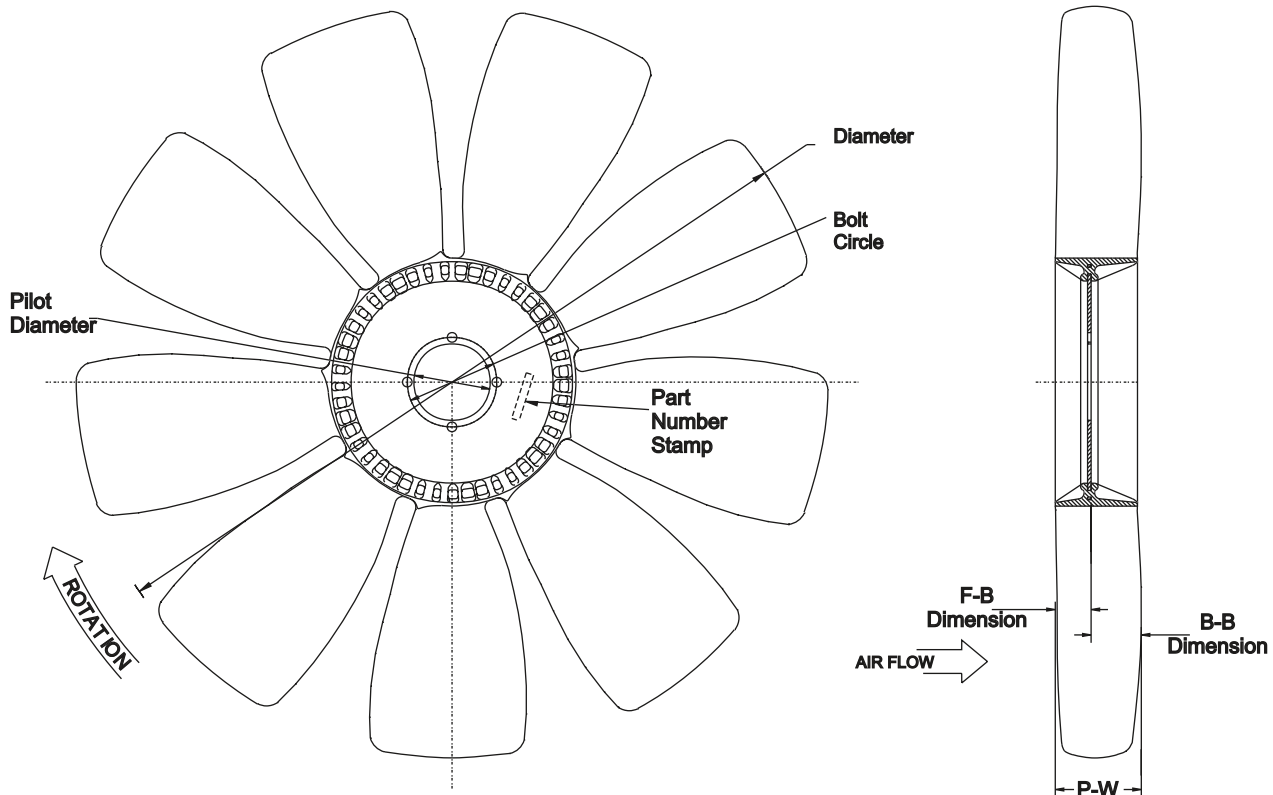
## Models SD60 - SM65

MODEL	PART#	ROT	FAN PILOT	FAN BC	LGTH	DRIVE PILOT	DRIVE BC	FAN PART#	FAN DESC	ID MARK
SD60	169544	CW	—	—	1.20	—	M30x2-6 LH	918289	—	—
SD60	169730	CW	—	—	1.45	1.002	4-344-2.360	4735-35480-44	24.0-6-2.83	—
SD60	170337	CW	—	—	2.52	0.750	4-340-2.520	4735-43480-28	22.83-9-3.31	—
SD60	198412	CW	—	—	2.10	1.003	1.25-18UNEF-2B RH	1678081C1	—	—
SD60	314008	CW	—	—	1.20	—	M30x2-6H LH	918278	—	—
SD60	315764	CW	—	—	1.20	—	M30x2-6 LH	918289	—	—
SD60	X166686	CW	—	—	2.89	1.312	4-344-2.750	918638	22.0-6-2.49	—
SD60	X166837	CW	—	—	2.25	1.002	4-354-1.969	1666941C1	22.0-6-2.63	—
SD60	X166839	CW	—	—	2.25	1.002	4-433-2.362	1666941C1	22.0-6-2.63	—
SD60	X166848	CW	—	—	2.00	0.750	4-344-2.125	1666941C1	22.0-6-2.63	—
SD60	X198968	CW	—	—	1.22	1.003	1.25-18UNEF-2B RH	—	—	—
SD65	167981	CC	5.000	6.00	2.60	—	1.25-18UNEF-2B RH	918694	24.0-7-2.46	—
SD65	168960	CW	5.000	6.00	1.21	—	M30x2-6H LH	918172/918192	23.22-6-3.67	—
SD65	169238	CW	5.000	6.00	1.20	—	1.25-16UN-2B LH	3TA-RB	22.0-8-2.46	—
SD65	169545	CW	5.000	6.00	1.21	—	M30x2-6 LH	4035-41393	—	—
SD65	169546	CW	5.000	6.00	1.21	—	M30x2-6 LH	918214	24.0-6-3.64	—
SD65	315882	CW	5.000	6.00	1.21	—	M30x2-6 LH	4035-41393	—	—
SD65	315900	CW	5.000	6.00	1.21	—	M30x2-6 LH	918214	24-6-3.64	—
SM60	170656	CW	—	—	1.20	—	M30x2-6H LH	917405	20-10-2.02	—
SM60	X167502	CC	—	—	2.44	—	M30X1.5-6H RH	918678	20.5-5-2.55	—
SM60	X167614	CW	—	—	1.19	0.750	4-344-2.125	918708	20.5-6-2.88	—
SM60	X198967	CW	—	—	1.22	1.003	1.25-16UN-2B LH	918566	23.0-6-2.44	—
SM60	X199624	CW	—	—	1.77	0.750	4-344-1.75	918708	20.5-6-2.88	—
SM65	166314	CC	5.000	6.00	1.22	—	1.25-18-UNEF-2B RH	918673	23.2-7-2.4	—
SM65	168395	CC	5.000	6.00	1.22	—	1.25-18-UNEF-2B RH	918673	23.2-7-2.4	—
SM65	168559	CC	5.000	6.00	1.22	—	1.25-18-UNEF-2B RH	918673	23.2-7-2.4	—
SM65	170651	CW	—	—	4.20	—	4-481-2.762	—	—	—
SM65	X166169	CW	—	—	1.22	—	1.25-18-UN-2B LH	918609	22.0-7-3.12	—

VISCIOUS SPECS BY MODEL#

\* The remaining information is not available

DIAGRAM & 4035-37494-46 - 4035-43478-03



FAN SPECS BY PART #

PART NUMBER	BLADES	ROT	PW	F-B	B-B	DIAMETER	PILOT	BOLT CIRCLE
4035-37494-46	8	CW	2.80	1.27	1.72	30.00	7.001	8.440
4035-38617-42	6	CW	2.83	1.85	0.98	26.00	2.562	3.500
4035-41045-01	7	CW	1.97	0.99	0.98	22.00	3.250	3.810
4035-41045-03	7	CW	1.97	0.99	0.98	21.00	2.000	3.500
4035-41045-11	7	CW	1.97	0.99	0.98	17.00	2.562	—
4035-41045-12	7	CW	1.97	0.99	0.98	18.00	1.002	Double
4035-41045-19	7	CW	1.97	0.99	0.98	20.00	1.002	Double
4035-41045-22	7	CW	1.97	0.99	0.98	20.00	3.250	3.810
4035-41045-24	7	CW	1.97	0.99	0.98	20.00	2.000	3.500
4035-41045-28	7	CW	1.97	0.99	0.98	22.00	1.002	1.97/2.360
4035-41045-29	7	CW	1.97	0.99	0.98	22.00	2.000	3.500
4035-41045-34	7	CW	1.97	0.99	0.98	19.00	1.614	—
4035-41045-36	7	CW	1.97	0.99	0.98	18.00	1.614	—
4035-41045-37	7	CW	1.97	0.99	0.98	20.00	1.614	Double
4035-41045-38	7	CW	1.97	0.99	0.98	20.87	3.250	3.810
4035-41045-43	7	CW	1.97	0.99	0.98	20.00	1.614	—
4035-41045-47	7	CW	1.97	0.99	0.98	22.00	2.625	—
4035-41045-52	7	CW	1.97	0.99	0.98	20.00	2.519	—
4035-41045-53	7	CW	1.97	0.99	0.98	14.09	3.250	3.810
4035-41045-54	7	CW	1.97	0.99	0.98	19.69	1.614	—
4035-43464-01	9	CCW	2.78	1.88	0.95	23.25	2.625	3.250
4035-43475-01	8	CCW	2.95	2.06	0.96	20.00	2.625	3.250
4035-43477-01	8	CCW	3.18	2.10	0.96	20.00	2.625	3.250
4035-43477-02	8	CCW	3.18	2.10	0.96	20.00	1.002	NO
4035-43477-03	8	CCW	3.18	2.10	0.96	18.00	1.500	Double
4035-43477-04	8	CCW	3.18	2.10	0.96	16.50	1.500	Double
4035-43477-05	8	CCW	3.18	2.10	0.96	16.50	1.614	2.500
4035-43477-06	8	CCW	3.18	2.10	0.96	18.00	1.614	2.500
4035-43478-01	8	CCW	3.10-3.175	1.33	1.71	20.00	2.562	3.500
4035-43478-02	8	CCW	3.10-3.175	1.33	1.71	20.00	2.000	3.500
4035-43478-03	8	CCW	3.10-3.175	1.33	1.71	20.00	1.002	1.97D

4035-43478-05 – 4735-35480-75

PART NUMBER	BLADES	ROT	PW	F-B	B-B	DIAMETER	PILOT	BOLT CIRCLE
4035-43478-05	8	CCW	3.10-3.175	1.33	1.71	20.00	1.614	2.500
4035-43478-06	8	CCW	3.10-3.175	1.33	1.71	18.00	1.614	2.500
4035-43478-07	8	CCW	3.10-3.175	1.33	1.71	16.50	1.614	2.500
4035-43478-08	8	CCW	3.10-3.175	1.33	1.71	18.00	1.500	2.500/2.875
4035-43478-09	8	CCW	3.10-3.175	1.33	1.71	16.50	1.500	2.500/2.875
4035-43478-10	8	CCW	3.10-3.175	1.33	1.71	19.69	1.002	1.97/2.36
4035-43478-15	8	CCW	3.10-3.175	1.33	1.71	17.72	1.102	1.890
4035-43559-01	8	CW	3.10-3.30	1.31-1.41	1.67	20.00	2.562	3.500
4035-43559-02	8	CW	3.10-3.30	1.31-1.41	1.67	20.00	2.000	3.500
4035-43559-03	8	CW	3.10-3.30	1.31-1.41	1.67	20.00	1.002	1.97D
4035-43559-04	8	CW	3.10-3.30	1.31-1.41	1.67	20.00	1.500	2.50D
4035-43559-05	8	CW	3.10-3.30	1.31-1.41	1.67	20.00	1.614	2.500
4035-43559-06	8	CW	3.10-3.30	1.31-1.41	1.67	19.00	1.614	2.500
4035-43559-07	8	CW	3.10-3.30	1.31-1.41	1.67	18.00	1.614	2.500
4035-43560-01	9	CW	3.10-3.30	2.05-2.25	0.92	19.69	2.625	3.250
4035-43560-02	9	CW	3.10-3.30	2.05-2.25	0.92	18.00	1.614	2.500
4035-43560-03	9	CW	3.10-3.30	2.05-2.25	0.92	18.00	1.002	1.97/2.36
4035-43560-06	9	CW	3.10-3.30	2.05-2.25	0.92	18.00	2.625	3.250
4035-43641-01	9	CCW	2.85	1.88	0.88	23.25	2.625	3.250
4035-43772-05	7	CW	2.30	1.21	1.29	16.00	1.002	1.575
4035-43772-06	7	CW	2.30	1.21	1.29	18.00	2.625	3.250
4035-43777-01	7	CCW	2.30	1.21	1.29	18.04	0.877	—
4035-43777-04	7	CCW	2.30	1.21	1.29	18.04	1.614	2.500
4035-43777-05	7	CCW	2.30	1.21	1.29	18.04	1.500	2.500
4035-43777-09	7	CCW	2.30	1.21	1.29	16.50	1.500	2.50/2.875
4035-43777-10	7	CCW	2.30	1.21	1.29	16.00	1.500	2.50/2.875
4735-35480-01	6	CW	2.83	1.85	0.98	32.00	2.562	3.500
4735-35480-02	6	CW	2.83	1.85	0.98	32.00	2.000	3.500
4735-35480-03	6	CW	2.83	1.85	0.98	32.00	5.001	6.000
4735-35480-04	6	CW	2.83	1.85	0.98	32.00	3.687	4.625
4735-35480-05	6	CW	2.83	1.85	0.98	30.00	2.562	3.500
4735-35480-06	6	CW	2.83	1.85	0.98	30.00	2.000	3.500
4735-35480-07	6	CW	2.83	1.85	0.98	28.00	5.001	6.000
4735-35480-10	6	CW	2.83	1.85	0.98	28.00	2.562	3.500
4735-35480-11	6	CW	2.83	1.85	0.98	32.00	4.921	5.750/6.00
4735-35480-13	6	CW	2.83	1.85	0.98	28.00	4.921	5.750/6.00
4735-35480-15	6	CW	2.83	1.85	0.98	24.00	2.562	3.500
4735-35480-16	6	CW	2.83	1.85	0.98	23.00	1.263	2.130
4735-35480-17	6	CW	2.83	1.85	0.98	23.00	3.250	3.810
4735-35480-18	6	CW	2.83	1.85	0.98	28.00	2.000	3.500
4735-35480-19	6	CW	2.83	1.85	0.98	22.00	2.562	3.500
4735-35480-20	6	CW	2.83	1.85	0.98	26.00	2.562	3.500
4735-35480-21	6	CW	2.83	1.85	0.98	24.00	5.001	6.000
4735-35480-22	6	CW	2.83	1.85	0.98	22.00	5.001	6.000
4735-35480-23	6	CW	2.83	1.85	0.98	26.00	2.000	3.500
4735-35480-24	6	CW	2.83	1.85	0.98	30.00	3.687	4.625
4735-35480-25	6	CW	2.83	1.85	0.98	22.00	2.000	3.500
4735-35480-26	6	CW	2.83	1.85	0.98	29.50	5.001	6.000
4735-35480-27	6	CW	2.83	1.85	0.98	32.00	2.000	3.50/3.875
4735-35480-28	6	CW	2.83	1.85	0.98	28.00	2.053	3.50/3.875
4735-35480-29	6	CW	2.83	1.85	0.98	23.00	2.000	3.500
4735-35480-30	6	CW	2.83	1.85	0.98	28.00	2.000	3.50/3.875
4735-35480-31	6	CW	2.83	1.85	0.98	27.25	2.562	3.500
4735-35480-32	6	CW	2.83	1.85	0.98	24.00	2.000	3.500
4735-35480-33	6	CW	2.83	1.85	0.98	30.00	5.001	6.000
4735-35480-34	6	CW	2.83	1.85	0.98	32.00	2.053	3.50/3.875
4735-35480-35	6	CW	2.83	1.85	0.98	23.00	5.001	6.000
4735-35480-36	6	CW	2.83	1.85	0.98	26.00	2.053	3.50/3.875
4735-35480-37	6	CW	2.83	1.85	0.98	28.00	3.687	4.625
4735-35480-42	6	CW	2.83	1.85	0.98	20.50	5.001	6.000
4735-35480-44	6	CW	2.83	1.85	0.98	24.00	3.250	3.810
4735-35480-45	6	CW	2.83	1.85	0.98	22.00	2.053	3.50/3.875
4735-35480-48	6	CW	2.83	1.85	0.98	24.00	2.000	3.50/3.875
4735-35480-49	6	CW	2.83	1.85	0.98	24.00	2.053	3.50/3.875
4735-35480-52	6	CW	2.83	1.85	0.98	26.00	3.687	4.625
4735-35480-55	6	CW	2.83	1.85	0.98	26.00	5.001	6.000
4735-35480-61	6	CW	2.83	1.85	0.98	26.00	4.921	5.750/6.00
4735-35480-62	6	CW	2.83	1.85	0.98	26.00	2.000	3.50/3.875
4735-35480-65	6	CW	2.83	1.85	0.98	22.00	3.250	3.810
4735-35480-75	6	CW	2.83	1.85	0.98	23.00	2.562	3.500
4735-35480-76	6	CW	2.83	1.85	0.98	30.00	2.000	3.50/3.875

FAN SPECS BY PART #



4735-35480-78 – 4735-35828-90

PART NUMBER	BLADES	ROT	PW	F-B	B-B	DIAMETER	PILOT	BOLT CIRCLE
4735-35480-78	6	CW	2.83	1.85	0.98	22.00	2.000	3.50/3.875
4735-35480-84	6	CW	2.83	1.85	0.98	22.00	1.002	1.97/2.360
4735-35480-85	6	CW	2.83	1.85	0.98	24.00	1.002	1.97/2.360
4735-35480-93	6	CW	2.83	1.85	0.98	20.00	1.002	1.97/2.360
4735-35480-94	6	CW	2.83	1.85	0.98	26.00	1.002	1.97/2.360
4735-35480-113	6	CW	2.83	1.85	0.98	27.00	2.000	3.50/3.875
4735-35480-118	6	CW	2.83	1.85	0.98	29.50	4.921	5.750/6.00
4735-35480-120	6	CW	2.83	1.85	0.98	23.25	3.250	3.810
4735-35480-125	6	CW	2.83	1.85	0.98	31.00	2.562	3.500
4735-35480-126	6	CW	2.83	1.85	0.98	23.50	1.614	2.500
4735-35480-127	6	CW	2.83	1.85	0.98	26.00	1.889	2.840
4735-35480-129	6	CW	2.83	1.85	0.98	26.77	4.921	5.750/6.00
4735-35480-130	6	CW	2.83	1.85	0.98	29.53	2.000	3.500
4735-35480-131	6	CW	2.83	1.85	0.98	31.00	2.000	3.500
4735-35480-133	6	CW	2.83	1.85	0.98	21.00	1.500	Double
4735-35480-134	6	CW	2.83	1.85	0.98	23.00	1.500	Double
4735-35480-135	6	CW	2.83	1.85	0.98	18.00	1.002	2.120
4735-35828-01	7	CCW	2.72	1.42	1.30	30.00	4.501	5.500
4735-35828-03	7	CCW	2.72	1.42	1.30	36.00	2.053	3.50/3.875
4735-35828-06	7	CCW	2.72	1.42	1.30	36.00	2.562	3.500
4735-35828-07	7	CCW	2.72	1.42	1.30	32.00	2.562	3.500
4735-35828-08	7	CCW	2.72	1.42	1.30	32.00	2.053	3.50/3.875
4735-35828-10	7	CCW	2.72	1.42	1.30	36.00	4.501	5.500
4735-35828-12	7	CCW	2.72	1.42	1.30	28.00	2.562	3.500
4735-35828-13	7	CCW	2.72	1.42	1.30	30.00	2.562	3.500
4735-35828-14	7	CCW	2.72	1.42	1.30	26.00	2.000	3.50/3.875
4735-35828-15	7	CCW	2.72	1.42	1.30	26.00	2.562	3.500
4735-35828-16	7	CCW	2.72	1.42	1.30	24.00	2.562	3.500
4735-35828-17	7	CCW	2.72	1.42	1.30	28.00	5.001	6.000
4735-35828-18	7	CCW	2.72	1.42	1.30	22.00	2.053	3.50/3.875
4735-35828-19	7	CCW	2.72	1.42	1.30	24.00	2.000	3.50/3.875
4735-35828-20	7	CCW	2.72	1.42	1.30	32.00	4.501	5.500
4735-35828-21	7	CCW	2.72	1.42	1.30	30.00	2.562	3.500
4735-35828-23	7	CCW	2.72	1.42	1.30	28.00	4.501	5.500
4735-35828-24	7	CCW	2.72	1.42	1.30	24.00	2.053	3.50/3.875
4735-35828-25	7	CCW	2.72	1.42	1.30	34.00	3.001	5.500
4735-35828-26	7	CCW	2.72	1.42	1.30	32.00	3.687	4.625
4735-35828-27	7	CCW	2.72	1.42	1.30	28.00	3.687	4.625
4735-35828-30	7	CCW	2.72	1.42	1.30	36.00	2.000	3.50/3.875
4735-35828-31	7	CCW	2.72	1.42	1.30	23.00	2.000	3.50/3.875
4735-35828-32	7	CCW	2.72	1.42	1.30	30.00	2.000	3.50/3.875
4735-35828-33	7	CCW	2.72	1.42	1.30	36.00	3.001	5.500
4735-35828-34	7	CCW	2.72	1.42	1.30	32.00	2.000	3.50/3.875
4735-35828-35	7	CCW	2.72	1.42	1.30	34.00	2.000	3.50/3.875
4735-35828-36	7	CCW	2.72	1.42	1.30	28.00	2.000	3.50/3.875
4735-35828-37	7	CCW	2.72	1.42	1.30	32.00	5.001	6.000
4735-35828-39	7	CCW	2.72	1.42	1.30	30.00	3.687	4.625
4735-35828-42	7	CCW	2.72	1.42	1.30	20.00	1.002	1.97/2.360
4735-35828-43	7	CCW	2.72	1.42	1.30	22.00	1.002	1.97/2.360
4735-35828-44	7	CCW	2.72	1.42	1.30	24.00	1.002	1.97/2.360
4735-35828-45	7	CCW	2.72	1.42	1.30	26.00	1.002	1.97/2.360
4735-35828-48	7	CCW	2.72	1.42	1.30	34.00	2.053	3.50/3.875
4735-35828-50	7	CCW	2.72	1.42	1.30	32.00	3.001	5.250
4735-35828-51	7	CCW	2.72	1.42	1.30	36.00	3.001	5.250
4735-35828-52	7	CCW	2.72	1.42	1.30	18.00	1.002	1.97/2.360
4735-35828-53	7	CCW	2.72	1.42	1.30	28.00	1.002	1.97/2.360
4735-35828-54	7	CCW	2.72	1.42	1.30	30.00	1.002	1.97/2.360
4735-35828-55	7	CCW	2.72	1.42	1.30	32.00	1.002	1.97/2.360
4735-35828-57	7	CCW	2.72	1.42	1.30	36.00	1.002	1.97/2.360
4735-35828-60	7	CCW	2.72	1.42	1.30	34.00	2.562	3.500
4735-35828-62	7	CCW	2.72	1.42	1.30	32.00	3.687	4.625
4735-35828-63	7	CCW	2.72	1.42	1.30	20.00	2.000	3.50/3.875
4735-35828-68	7	CCW	2.72	1.42	1.30	22.00	2.000	3.50/3.875
4735-35828-70	7	CCW	2.72	1.42	1.30	25.00	4.000	4.478
4735-35828-72	7	CCW	2.72	1.42	1.30	16.00	1.002	1.97/2.360
4735-35828-77	7	CCW	2.72	1.42	1.30	18.00	2.000	3.50/3.875
4735-35828-81	7	CCW	2.72	1.42	1.30	20.00	2.562	3.500
4735-35828-86	7	CCW	2.72	1.42	1.30	22.00	2.562	3.500
4735-35828-88	7	CCW	2.72	1.42	1.30	22.00	5.001	6.000
4735-35828-89	7	CCW	2.72	1.42	1.30	23.00	1.002	1.97/2.360
4735-35828-90	7	CCW	2.72	1.42	1.30	24.00	3.250	3.810

FAN SPECS BY PART #

4735-35828-91 – 4735-37494-16

PART NUMBER	BLADES	ROT	PW	F-B	B-B	DIAMETER	PILOT	BOLT CIRCLE
4735-35828-91	7	CCW	2.72	1.42	1.30	24.00	5.001	6.000
4735-35828-93	7	CCW	2.72	1.42	1.30	26.00	3.250	3.810
4735-35828-94	7	CCW	2.72	1.42	1.30	26.00	5.001	6.000
4735-35828-95	7	CCW	2.72	1.42	1.30	28.00	2.053	3.50/3.875
4735-35828-97	7	CCW	2.72	1.42	1.30	30.00	2.053	3.50/3.875
4735-35828-98	7	CCW	2.72	1.42	1.30	30.00	4.000	4.478
4735-35828-99	7	CCW	2.72	1.42	1.30	30.00	5.001	6.000
4735-35828-105	7	CCW	2.72	1.42	1.30	26.00	2.053	3.50/3.875
4735-35828-108	7	CCW	2.72	1.42	1.30	24.00	1.263	2.750/2.360/1.969
4735-35828-109	7	CCW	2.72	1.42	1.30	25.50	5.001	6.000
4735-35828-112	7	CCW	2.72	1.42	1.30	18.50	1.002	1.97/2.360
4735-35828-116	7	CCW	2.72	1.42	1.30	18.00	1.500	Double
4735-35828-119	7	CCW	2.72	1.42	1.30	23.50	1.500	Double
4735-35828-120	7	CCW	2.72	1.42	1.30	26.00	1.263	2.750
4735-35828-121	7	CCW	2.72	1.42	1.30	30.00	2.187	3.000
4735-35828-123	7	CCW	2.72	1.42	1.30	33.00	2.000	3.50/3.875
4735-35828-124	7	CCW	2.72	1.42	1.30	34.00	3.687	4.625
4735-35828-125	7	CCW	2.72	1.42	1.30	31.50	2.000	3.50/3.875
4735-35828-127	7	CCW	2.72	1.42	1.30	25.60	2.562	3.500
4735-35828-128	7	CCW	2.72	1.42	1.30	18.00	1.614	2.500
4735-35828-131	7	CCW	2.72	1.42	1.30	26.00	4.488	5.197
4735-35828-136	7	CCW	2.72	1.42	1.30	28.30	2.562	3.500
4735-35828-137	7	CCW	2.72	1.42	1.30	25.60	2.562	3.500
4735-35828-140	7	CCW	2.72	1.42	1.30	26.00	3.687	4.625
4735-35828-144	7	CCW	2.72	1.42	1.30	18.00	1.693	2.440
4735-35828-145	7	CCW	2.72	1.42	1.30	24.00	1.262	2.360
4735-35828-146	7	CCW	2.72	1.42	1.30	20.00	1.614	2.500
4735-35828-147	7	CCW	2.72	1.42	1.30	30.00	1.002	1.730
4735-35828-148	7	CCW	2.72	1.42	1.30	30.00	3.001	5.500
4735-35828-152	7	CCW	2.72	1.42	1.30	26.00	1.889	2.840
4735-35828-154	7	CCW	2.72	1.42	1.30	34.00	4.254	5.040
4735-35828-155	7	CCW	2.72	1.42	1.30	32.00	4.254	5.040
4735-35828-158	7	CCW	2.72	1.42	1.30	20.00	4.094	5.120
4735-35828-163	7	CCW	2.72	1.42	1.30	24.41	5.001	6.000
4735-35828-164	7	CCW	2.72	1.42	1.30	18.00	1.614	2.374
4735-35828-166	7	CCW	2.72	1.42	1.30	28.00	3.858	4.724
4735-35828-170	7	CCW	2.72	1.42	1.30	27.56	4.921	5.750/6.00
4735-35828-171	7	CCW	2.72	1.42	1.30	25.20	5.001	6.000
4735-35828-175	7	CCW	2.72	1.42	1.30	30.00	4.254	5.040
4735-35828-176	7	CCW	2.72	1.42	1.30	27.56	4.488	5.197
4735-35828-178	7	CCW	2.72	1.42	1.30	24.00	1.500	Double
4735-35828-179	7	CCW	2.72	1.42	1.30	27.00	1.002	1.97/2.360
4735-35828-181	7	CCW	2.72	1.42	1.30	26.00	1.614	2.500
4735-35828-182	7	CCW	2.72	1.42	1.30	24.00	1.614	2.500
4735-35828-183	7	CCW	2.72	1.42	1.30	24.00	1.378	2.050
4735-35828-184	7	CCW	2.72	1.42	1.30	31.50	4.921	5.750/6.00
4735-35828-185	7	CCW	2.72	1.42	1.30	36.00	4.921	5.750/6.00
4735-35828-186	7	CCW	2.72	1.42	1.30	32.28	4.921	5.750/6.00
4735-35828-187	7	CCW	2.72	1.42	1.30	25.60	4.921	5.750/6.00
4735-35828-188	7	CCW	2.72	1.42	1.30	22.00	1.614	2.500
4735-35828-190	7	CCW	2.72	1.42	1.30	28.94	4.921	5.750/6.00
4735-35828-191	7	CCW	2.72	1.42	1.30	23.62	4.921	5.750/6.00
4735-35828-192	7	CCW	2.72	1.42	1.30	29.72	4.921	5.750/6.00
4735-35828-193	7	CCW	2.72	1.42	1.30	20.00	1.002	1.720
4735-35828-194	7	CCW	2.72	1.42	1.30	18.50	1.262	2.360
4735-35828-195	7	CCW	2.72	1.42	1.30	31.50	1.002	1.96/2.36
4735-37494-01	8	CW	3.01	0.87	2.14	32.00	7.001	8.440
4735-37494-02	8	CW	3.01	0.87	2.14	32.00	2.000	3.50/3.875
4735-37494-03	8	CW	3.01	0.87	2.14	30.00	7.000	8.440
4735-37494-04	8	CW	3.01	0.87	2.14	30.00	2.000	3.50/3.875
4735-37494-05	8	CW	3.01	0.87	2.14	28.00	7.000	8.440
4735-37494-06	8	CW	3.01	0.87	2.14	28.00	2.000	3.50/3.875
4735-37494-07	8	CW	3.01	0.87	2.14	32.00	2.560	3.500
4735-37494-08	8	CW	3.01	0.87	2.14	30.00	2.560	3.500
4735-37494-09	8	CW	3.01	0.87	2.14	28.00	2.560	3.500
4735-37494-10	8	CW	3.01	0.87	2.14	32.00	5.001	6.000
4735-37494-12	8	CW	3.01	0.87	2.14	32.00	2.050	3.50/3.875
4735-37494-13	8	CW	3.01	0.87	2.14	30.00	2.050	3.50/3.875
4735-37494-14	8	CW	3.01	0.87	2.14	28.00	2.050	3.50/3.875
4735-37494-15	8	CW	3.01	0.87	2.14	26.00	5.001	6.000
4735-37494-16	8	CW	3.01	0.87	2.14	26.00	7.001	8.440

FAN SPECS BY PART #

4735-37494-17 – 4735-38164-93

PART NUMBER	BLADES	ROT	PW	F-B	B-B	DIAMETER	PILOT	BOLT CIRCLE
4735-37494-17	8	CW	3.01	0.87	2.14	24.00	7.001	8.440
4735-37494-18	8	CW	3.01	0.87	2.14	26.00	2.560	3.500
4735-37494-19	8	CW	3.01	0.87	2.14	30.00	5.001	6.000
4735-37494-21	8	CW	3.01	0.87	2.14	30.00	3.680	4.620
4735-37494-22	8	CW	3.01	0.87	2.14	24.00	2.560	3.500
4735-37494-24	8	CW	3.01	0.87	2.14	26.00	2.000	3.50/3.875
4735-37494-25	8	CW	3.01	0.87	2.14	25.00	2.560	3.500
4735-37494-26	8	CW	3.01	0.87	2.14	28.25	2.560	3.500
4735-37494-27	8	CW	3.01	0.87	2.14	27.25	2.560	3.500
4735-37494-28	8	CW	3.01	0.87	2.14	28.00	5.001	6.000
4735-37494-29	8	CW	3.01	0.87	2.14	26.00	2.050	3.50/3.875
4735-37494-31	8	CW	3.01	0.87	2.14	24.00	5.001	6.000
4735-37494-32	8	CW	3.01	0.87	2.14	32.00	3.680	4.620
4735-37494-33	8	CW	3.01	0.87	2.14	24.00	2.000	3.50/3.875
4735-37494-36	8	CW	3.01	0.87	2.14	23.00	2.560	3.500
4735-37494-41	8	CW	3.01	0.87	2.14	26.00	1.002	1.97/2.36
4735-37494-42	8	CW	3.01	0.87	2.14	28.00	1.002	1.97/2.36
4735-37494-43	8	CW	3.01	0.87	2.14	30.00	1.002	1.97/2.36
4735-37494-44	8	CW	3.01	0.87	2.14	32.00	1.002	1.97/2.36
4735-37494-55	8	CW	3.01	0.87	2.14	24.00	2.050	3.50/3.875
4735-37494-56	8	CW	3.01	0.87	2.14	26.00	3.680	4.620
4735-37494-57	8	CW	3.01	0.87	2.14	28.00	3.680	4.620
4735-37494-70	8	CW	3.01	0.87	2.14	29.00	2.560	3.500
4735-37494-74	8	CW	3.01	0.87	2.14	29.00	2.000	3.50/3.875
4735-37494-75	8	CW	3.01	0.87	2.14	25.00	2.050	3.50/3.875
4735-37494-79	8	CW	3.01	0.87	2.14	29.00	5.001	6.000
4735-38164-01	8	CW	4.00	1.42	2.58	32.00	2.000	3.500
4735-38164-02	8	CW	4.00	1.42	2.58	32.00	2.562	3.500
4735-38164-03	8	CW	4.00	1.42	2.58	32.00	3.687	4.625
4735-38164-04	8	CW	4.00	1.42	2.58	32.00	5.001	6.000
4735-38164-06	8	CW	4.00	1.42	2.58	30.00	2.000	3.50/3.875
4735-38164-07	8	CW	4.00	1.42	2.58	30.00	2.560	3.500
4735-38164-08	8	CW	4.00	1.42	2.58	30.00	3.687	4.625
4735-38164-09	8	CW	4.00	1.42	2.58	30.00	5.001	6.000
4735-38164-10	8	CW	4.00	1.42	2.58	22.00	5.001	6.000
4735-38164-11	8	CW	4.00	1.42	2.58	28.00	2.000	3.50/3.875
4735-38164-12	8	CW	4.00	1.42	2.58	28.00	2.562	3.500
4735-38164-14	8	CW	4.00	1.42	2.58	28.00	5.001	6.000
4735-38164-17	8	CW	4.00	1.42	2.58	23.00	5.001	6.000
4735-38164-18	8	CW	4.00	1.42	2.58	32.00	2.053	3.50/3.875
4735-38164-19	8	CW	4.00	1.42	2.58	30.00	2.053	3.50/3.875
4735-38164-20	8	CW	4.00	1.42	2.58	28.00	2.053	3.50/3.875
4735-38164-21	8	CW	4.00	1.42	2.58	32.00	4.921	5.750/6.00
4735-38164-24	8	CW	4.00	1.42	2.58	23.00	2.000	3.50/3.875
4735-38164-27	8	CW	4.00	1.42	2.58	24.00	1.002	1.97/2.360
4735-38164-28	8	CW	4.00	1.42	2.58	26.00	1.002	1.97/2.360
4735-38164-29	8	CW	4.00	1.42	2.58	28.00	1.002	1.97/2.360
4735-38164-30	8	CW	4.00	1.42	2.58	30.00	1.002	1.97/2.360
4735-38164-31	8	CW	4.00	1.42	2.58	32.00	1.002	1.97/2.360
4735-38164-34	8	CW	4.00	1.42	2.58	28.00	3.687	4.625
4735-38164-36	8	CW	4.00	1.42	2.58	26.00	5.001	6.000
4735-38164-40	8	CW	4.00	1.42	2.58	23.00	2.562	3.500
4735-38164-45	8	CW	4.00	1.42	2.58	24.00	2.053	3.50/3.875
4735-38164-47	8	CW	4.00	1.42	2.58	26.00	2.562	3.500
4735-38164-48	8	CW	4.00	1.42	2.58	28.00	2.000	3.500
4735-38164-49	8	CW	4.00	1.42	2.58	26.00	2.000	3.50/3.875
4735-38164-50	8	CW	4.00	1.42	2.58	30.00	2.000	3.500
4735-38164-51	8	CW	4.00	1.42	2.58	25.00	2.562	3.500
4735-38164-53	8	CW	4.00	1.42	2.58	26.00	4.000	4.478
4735-38164-54	8	CW	4.00	1.42	2.58	24.0P	2.562	3.500
4735-38164-67	8	CW	4.00	1.42	2.58	24.00	5.001	6.000
4735-38164-68	8	CW	4.00	1.42	2.58	25.00	5.001	6.000
4735-38164-69	8	CW	4.00	1.42	2.58	24.00	2.000	3.50/3.875
4735-38164-76	8	CW	4.00	1.42	2.58	29.00	2.562	3.500
4735-38164-77	8	CW	4.00	1.42	2.58	27.00	5.001	6.000
4735-38164-79	8	CW	4.00	1.42	2.58	27.00	2.562	3.500
4735-38164-80	8	CW	4.00	1.42	2.58	30.00	2.562	3.500
4735-38164-87	8	CW	4.00	1.42	2.58	27.50	2.562	3.500
4735-38164-88	8	CW	4.00	1.42	2.58	25.00	4.921	5.750/6.00
4735-38164-92	8	CW	4.00	1.42	2.58	26.75	2.562	3.500
4735-38164-93	8	CW	4.00	1.42	2.58	23.60	4.921	5.750/6.00

FAN SPECS BY PART #

4735-38164-95 – 4735-38449-114

PART NUMBER	BLADES	ROT	PW	F-B	B-B	DIAMETER	PILOT	BOLT CIRCLE
4735-38164-95	8	CW	4.00	1.42	2.58	22.83	5.001	6.000
4735-38164-100	8	CW	4.00	1.42	2.58	25.67	1.002	1.97/2.360
4735-38164-101	8	CW	4.00	1.42	2.58	32.00	3.001	5.500
4735-38449-02	10	CW	2.16	1.18	0.98	19.50	2.562	3.50 dia(4@.406 & 4@.703)
4735-38449-03	10	CW	2.16	1.18	0.98	20.00	1.002	1.97/2.360
4735-38449-04	10	CW	2.16	1.18	0.98	19.50	4.000	4.478
4735-38449-05	10	CW	2.16	1.18	0.98	22.00	2.562	3.500
4735-38449-06	10	CW	2.16	1.18	0.98	22.00	1.002	1.97/2.360
4735-38449-08	10	CW	2.16	1.18	0.98	20.00	2.000	3.500
4735-38449-09	10	CW	2.16	1.18	0.98	22.00	2.000	3.500
4735-38449-17	10	CW	2.16	1.18	0.98	20.00	3.250	3.810
4735-38449-18	10	CW	2.16	1.18	0.98	22.00	2.562	3.500
4735-38449-19	10	CW	2.16	1.18	0.98	18.00	1.002	1.97/2.360
4735-38449-21	10	CW	2.16	1.18	0.98	21.00	1.002	1.97/2.360
4735-38449-23	10	CW	2.16	1.18	0.98	21.00	2.000	3.500
4735-38449-25	10	CW	2.16	1.18	0.98	16.00	1.002	1.97/2.360
4735-38449-26	10	CW	2.16	1.18	0.98	16.00	1.252	1.970/2.125
4735-38449-27	10	CW	2.16	1.18	0.98	19.00	1.002	1.97/2.360
4735-38449-28	10	CW	2.16	1.18	0.98	22.00	1.245	4.000
4735-38449-32	10	CW	2.16	1.18	0.98	16.00	2.000	3.500
4735-38449-34	10	CW	2.16	1.18	0.98	16.00	2.562	3.500
4735-38449-37	10	CW	2.16	1.18	0.98	17.00	1.002	1.97/2.360
4735-38449-40	10	CW	2.16	1.18	0.98	17.00	2.562	3.500
4735-38449-42	10	CW	2.16	1.18	0.98	18.00	2.000	3.500
4735-38449-43	10	CW	2.16	1.18	0.98	18.00	2.053	3.50/3.875
4735-38449-44	10	CW	2.16	1.18	0.98	18.00	2.625	3.250
4735-38449-45	10	CW	2.16	1.18	0.98	18.00	3.250	3.810
4735-38449-47	10	CW	2.16	1.18	0.98	19.00	2.000	3.500
4735-38449-52	10	CW	2.16	1.18	0.98	20.00	2.560	3.500
4735-38449-54	10	CW	2.16	1.18	0.98	21.00	4.000	4.478
4735-38449-55	10	CW	2.16	1.18	0.98	22.00	2.053	3.50/3.875
4735-38449-56	10	CW	2.16	1.18	0.98	20.00	3.250	3.810
4735-38449-59	10	CW	2.16	1.18	0.98	19.50	2.625	3.250
4735-38449-62	10	CW	2.16	1.18	0.98	20.00	4.000	4.478
4735-38449-64	10	CW	2.16	1.18	0.98	20.00	1.614	2.500
4735-38449-65	10	CW	2.16	1.18	0.98	14.00	1.002	1.97/2.360
4735-38449-68	10	CW	2.16	1.18	0.98	16.00	2.625	3.250
4735-38449-69	10	CW	2.16	1.18	0.98	16.50	1.500	Double
4735-38449-70	10	CW	2.16	1.18	0.98	22.00	3.250	3.810
4735-38449-72	10	CW	2.16	1.18	0.98	15.00	2.625	3.250
4735-38449-74	10	CW	2.16	1.18	0.98	20.00	1.252	1.970/2.125
4735-38449-76	10	CW	2.16	1.18	0.98	22.00	2.562	3.50 dia(4@.406 & 4@.703)
4735-38449-77	10	CW	2.16	1.18	0.98	18.00	1.500	Double
4735-38449-78	10	CW	2.16	1.18	0.98	15.75	1.252	1.970/2.125
4735-38449-81	10	CW	2.16	1.18	0.98	18.00	1.002	2.190
4735-38449-82	10	CW	2.16	1.18	0.98	18.00	2.000	3.500
4735-38449-83	10	CW	2.16	1.18	0.98	18.00	1.614	2.500
4735-38449-86	10	CW	2.16	1.18	0.98	20.00	1.614	2.500
4735-38449-87	10	CW	2.16	1.18	0.98	22.00	1.614	2.500
4735-38449-88	10	CW	2.16	1.18	0.98	13.40	1.002	1.730
4735-38449-89	10	CW	2.16	1.18	0.98	18.00	1.252	1.970/2.125
4735-38449-90	10	CW	2.16	1.18	0.98	20.00	1.500	Double
4735-38449-91	10	CW	2.16	1.18	0.98	19.00	1.614	2.500
4735-38449-94	10	CW	2.16	1.18	0.98	22.00	1.263	2.130
4735-38449-97	10	CW	2.16	1.18	0.98	20.41	1.575	2.835
4735-38449-98	10	CW	2.16	1.18	0.98	17.50	4.000	4.478
4735-38449-100	10	CW	2.16	1.18	0.98	21.67	1.002	1.97/2.360
4735-38449-102	10	CW	2.16	1.18	0.98	21.72	1.002	1.97/2.360
4735-38449-103	10	CW	2.16	1.18	0.98	21.00	1.500	Double
4735-38449-104	10	CW	2.16	1.18	0.98	22.00	5.000	None
4735-38449-105	10	CW	2.16	1.18	0.98	20.00	5.000	None
4735-38449-106	10	CW	2.16	1.18	0.98	22.00	1.417	2.360
4735-38449-107	10	CW	2.16	1.18	0.98	16.00	1.263	2.130
4735-38449-108	10	CW	2.16	1.18	0.98	16.00	1.002	1.75/2.188
4735-38449-109	10	CW	2.16	1.18	0.98	17.00	1.614	2.400
4735-38449-111	10	CW	2.16	1.18	0.98	17.00	1.002	2.047
4735-38449-112	10	CW	2.16	1.18	0.98	16.00	1.002	2.047
4735-38449-113	10	CW	2.16	1.18	0.98	20.00	1.343	2.500
4735-38449-114	10	CW	2.16	1.18	0.98	14.09	3.250	3.810

FAN SPECS BY PART #

4735-38449-116 – 4735-38825-70

PART NUMBER	BLADES	ROT	PW	F-B	B-B	DIAMETER	PILOT	BOLT CIRCLE
4735-38449-116	10	CW	2.16	1.18	0.98	19.69	1.614	2.500
4735-38449-117	10	CW	2.16	1.18	0.98	21.00	1.614	2.500
4735-38449-118	10	CW	2.16	1.18	0.98	19.00	1.500	Double
4735-38449-119	10	CW	2.16	1.18	0.98	15.35	1.002	1.97/2.36
4735-38449-120	10	CW	2.16	1.18	0.98	14.17	1.614	2.500
4735-38449-121	10	CW	2.16	1.18	0.98	17.72	1.002	1.97/2.360
4735-38449-122	10	CW	2.16	1.18	0.98	16.00	1.002	1.575
4735-38449-123	10	CW	2.16	1.18	0.98	17.00	1.500	2.50/2.875
4735-38449-128	10	CW	2.10	1.18	0.98	12.87	1.002	1.730
4735-38449-129	10	CW	2.16	1.18	0.98	18.00	1.417	2.283
4735-38449-131	10	CW	2.16	1.18	0.98	17.00	2.620	3.250
4735-38449-133	10	CW	2.16	1.18	0.98	21.00	1.260	2.750
4735-38585-02	8	CW	4.00	1.42	2.58	30.00	7.001	8.440
4735-38585-05	8	CW	4.00	1.42	2.58	32.00	7.001	8.440
4735-38585-07	8	CW	4.00	1.42	2.58	28.00	7.001	8.440
4735-38617-01	6	CW	2.83	1.85	0.98	22.00	5.001	6.000
4735-38617-02	6	CW	2.83	1.85	0.98	24.00	5.001	6.000
4735-38617-03	6	CW	2.83	1.85	0.98	24.00	2.562	3.500
4735-38617-04	6	CW	2.83	1.85	0.98	22.00	3.250	3.810
4735-38617-05	6	CW	2.83	1.85	0.98	30.00	5.001	6.000
4735-38617-07	6	CW	2.83	1.85	0.98	22.00	2.562	3.500
4735-38617-10	6	CW	2.83	1.85	0.98	30.00	2.000	3.500
4735-38617-11	6	CW	2.83	1.85	0.98	30.00	2.562	3.500
4735-38617-12	6	CW	2.83	1.85	0.98	30.00	5.001	6.000
4735-38617-15	6	CW	2.83	1.85	0.98	32.00	2.000	3.500
4735-38617-16	6	CW	2.83	1.85	0.98	32.00	2.562	3.500
4735-38617-18	6	CW	2.83	1.85	0.98	32.00	5.001	6.000
4735-38617-19	6	CW	2.83	1.85	0.98	26.00	4.000	4.478
4735-38617-20	6	CW	2.83	1.85	0.98	24.00	4.000	4.478
4735-38617-21	6	CW	2.83	1.85	0.98	26.00	5.001	6.000
4735-38617-23	6	CW	2.83	1.85	0.98	28.00	5.001	6.000
4735-38617-24	6	CW	2.83	1.85	0.98	28.00	2.562	3.500
4735-38617-30	6	CW	2.83	1.85	0.98	30.00	2.000	3.500
4735-38617-33	6	CW	2.83	1.85	0.98	32.00	2.000	3.50/3.875
4735-38617-34	6	CW	2.83	1.85	0.98	22.00	2.000	3.500
4735-38617-50	6	CW	2.83	1.85	0.98	20.50	5.001	6.000
4735-38617-53	6	CW	2.83	1.85	0.98	28.00	2.000	3.50/3.875
4735-38617-60	6	CW	2.83	1.85	0.98	25.60	5.001	6.000
4735-38617-63	6	CW	2.83	1.85	0.98	20.00	1.614	—
4735-38825-01	6	CW	2.83	1.17	1.66	30.00	5.001	6.000
4735-38825-02	6	CW	2.83	1.17	1.66	32.00	5.001	6.000
4735-38825-03	6	CW	2.83	1.17	1.66	32.00	2.562	3.500
4735-38825-04	6	CW	2.83	1.17	1.66	32.00	2.000	3.500
4735-38825-05	6	CW	2.83	1.17	1.66	30.00	2.560	3.500
4735-38825-09	6	CW	2.83	1.17	1.66	30.00	2.000	3.500
4735-38825-10	6	CW	2.83	1.17	1.66	28.00	5.001	6.000
4735-38825-11	6	CW	2.83	1.17	1.66	28.00	2.562	3.500
4735-38825-14	6	CW	2.83	1.17	1.66	22.00	2.000	3.50/3.875
4735-38825-21	6	CW	2.83	1.17	1.66	23.00	1.002	1.97/2.360
4735-38825-22	6	CW	2.83	1.17	1.66	23.00	2.000	3.50/3.875
4735-38825-31	6	CW	2.83	1.17	1.66	24.00	1.002	1.97/2.360
4735-38825-32	6	CW	2.83	1.17	1.66	24.00	2.000	3.50/3.875
4735-38825-34	6	CW	2.83	1.17	1.66	24.00	2.562	3.500
4735-38825-35	6	CW	2.83	1.17	1.66	24.00	3.250	3.810
4735-38825-37	6	CW	2.83	1.17	1.66	24.00	5.001	6.000
4735-38825-40	6	CW	2.83	1.17	1.66	26.00	1.002	1.97/2.360
4735-38825-41	6	CW	2.83	1.17	1.66	26.00	2.000	3.50/3.875
4735-38825-43	6	CW	2.83	1.17	1.66	26.00	2.562	3.500
4735-38825-44	6	CW	2.83	1.17	1.66	26.00	3.250	3.810
4735-38825-47	6	CW	2.83	1.17	1.66	26.00	5.001	6.000
4735-38825-51	6	CW	2.83	1.17	1.66	28.00	1.002	1.97/2.360
4735-38825-52	6	CW	2.83	1.17	1.66	28.00	2.000	3.50/3.875
4735-38825-53	6	CW	2.83	1.17	1.66	28.00	2.053	3.50/3.875
4735-38825-56	6	CW	2.83	1.17	1.66	28.00	4.000	4.478
4735-38825-58	6	CW	2.83	1.17	1.66	30.00	1.002	1.97/2.360
4735-38825-59	6	CW	2.83	1.17	1.66	30.00	2.000	3.50/3.875
4735-38825-62	6	CW	2.83	1.17	1.66	30.00	4.000	4.478
4735-38825-64	6	CW	2.83	1.17	1.66	32.00	1.002	1.97/2.360
4735-38825-65	6	CW	2.83	1.17	1.66	32.00	2.000	3.50/3.875
4735-38825-69	6	CW	2.83	1.17	1.66	22.00	1.002	1.97/2.360
4735-38825-70	6	CW	2.83	1.17	1.66	21.50	1.002	1.97/2.360

FAN SPECS BY PART #

4735-38825-71 – 4735-41135-22

PART NUMBER	BLADES	ROT	PW	F-B	B-B	DIAMETER	PILOT	BOLT CIRCLE
4735-38825-71	6	CW	2.83	1.17	1.66	20.00	1.002	1.97/2.360
4735-38825-73	6	CW	2.83	1.17	1.66	30.00	2.562	3.500
4735-38825-74	6	CW	2.83	1.17	1.66	29.00	2.562	3.500
4735-38825-75	6	CW	2.83	1.17	1.66	31.00	2.562	3.500
4735-38825-76	6	CW	2.83	1.17	1.66	23.00	1.500	Double
4735-38825-77	6	CW	2.83	1.17	1.66	29.00	5.001	6.000
4735-38825-79	6	CW	2.83	1.17	1.66	26.00	3.858	4.724
4735-38825-81	6	CW	2.83	1.17	1.66	24.00	2.000	3.500
4735-38825-82	6	CW	2.83	1.17	1.66	26.00	2.000	3.500
4735-38825-83	6	CW	2.83	1.17	1.66	28.00	2.000	3.500
4735-38825-84	6	CW	2.83	1.17	1.66	24.00	1.500	Double
4735-38825-85	6	CW	2.83	1.17	1.66	25.00	1.500	Double
4735-38825-86	6	CW	2.83	1.17	1.66	26.00	1.500	Double
4735-40518-04	9	CW	2.59	1.90	0.97	22.00	3.250	3.810
4735-40518-05	9	CW	2.59	1.90	0.97	24.00	5.001	6.000
4735-40518-06	9	CW	2.59	1.90	0.97	24.00	3.250	3.810
4735-40518-07	9	CW	2.59	1.90	0.97	24.00	2.562	3.500
4735-41134-01	8	CW	3.00	2.03	0.97	30.00	2.562	3.500
4735-41134-02	8	CW	3.00	2.03	0.97	30.00	2.000	3.50/3.875
4735-41134-04	8	CW	3.00	2.03	0.97	30.00	2.000	3.50/3.875
4735-41134-05	8	CW	3.00	2.03	0.97	28.00	2.562	3.500
4735-41134-06	8	CW	3.00	2.03	0.97	28.00	2.000	3.500
4735-41134-11	8	CW	3.00	2.03	0.97	22.00	1.002	1.97/2.360
4735-41134-13	8	CW	3.00	2.03	0.97	30.00	5.001	6.000
4735-41134-17	8	CW	3.00	2.03	0.97	26.00	1.002	1.97/2.360
4735-41134-19	8	CW	3.00	2.03	0.97	26.00	2.562	3.500
4735-41134-21	8	CW	3.00	2.03	0.97	26.00	5.001	6.000
4735-41134-24	8	CW	3.00	2.03	0.97	28.00	5.001	6.000
4735-41134-31	8	CW	3.00	2.03	0.97	24.00	1.002	1.97/2.360
4735-41134-32	8	CW	3.00	2.03	0.97	24.00	2.000	3.500
4735-41134-33	8	CW	3.00	2.03	0.97	24.00	2.562	3.500
4735-41134-35	8	CW	3.00	2.03	0.97	24.00	5.001	6.000
4735-41134-39	8	CW	3.00	2.03	0.97	25.00	5.001	6.000
4735-41134-41	8	CW	3.00	2.03	0.97	32.00	2.000	3.500
4735-41134-42	8	CW	3.00	2.03	0.97	32.00	2.562	3.500
4735-41134-43	8	CW	3.00	2.03	0.97	32.00	5.001	6.000
4735-41134-46	8	CW	3.00	2.03	0.97	31.00	2.562	3.500
4735-41134-47	8	CW	3.00	2.03	0.97	31.00	5.001	6.000
4735-41134-49	8	CW	3.00	2.03	0.97	29.50	5.001	6.000
4735-41134-50	8	CW	3.00	2.03	0.97	26.30	5.001	6.000
4735-41134-51	8	CW	3.00	2.03	0.97	25.20	5.001	6.000
4735-41134-52	8	CW	3.00	2.03	0.97	25.60	5.001	6.000
4735-41134-55	8	CW	3.00	2.03	0.97	27.56	5.001	6.000
4735-41134-56	8	CW	3.00	2.03	0.97	28.00	4.000	4.478
4735-41134-68	8	CW	3.00	2.03	0.97	31.00	2.000	3.500
4735-41134-69	8	CW	3.00	2.03	0.97	29.50	2.000	3.500
4735-41134-70	8	CW	3.00	2.03	0.97	29.50	2.562	3.500
4735-41134-71	8	CW	3.00	2.03	0.97	27.00	2.562	3.500
4735-41134-72	8	CW	3.00	2.03	0.97	27.00	1.693	2.440
4735-41135-01	8	CW	3.00	1.28	1.72	30.00	2.562	3.500
4735-41135-02	8	CW	3.00	1.28	1.72	30.00	2.000	3.500
4735-41135-03	8	CW	3.00	1.28	1.72	29.00	2.000	3.500
4735-41135-04	8	CW	3.00	1.28	1.72	29.00	2.562	3.500
4735-41135-05	8	CW	3.00	1.28	1.72	28.00	2.562	3.500
4735-41135-06	8	CW	3.00	1.28	1.72	32.00	1.002	1.97/2.360
4735-41135-07	8	CW	3.00	1.28	1.72	32.00	2.000	3.500
4735-41135-08	8	CW	3.00	1.28	1.72	32.00	2.562	3.500
4735-41135-09	8	CW	3.00	1.28	1.72	32.00	5.001	6.000
4735-41135-10	8	CW	3.00	1.28	1.72	31.00	1.002	1.97/2.360
4735-41135-11	8	CW	3.00	1.28	1.72	31.00	2.000	3.500
4735-41135-12	8	CW	3.00	1.28	1.72	31.00	2.562	3.500
4735-41135-13	8	CW	3.00	1.28	1.72	31.00	5.001	6.000
4735-41135-14	8	CW	3.00	1.28	1.72	30.00	1.002	1.97/2.360
4735-41135-15	8	CW	3.00	1.28	1.72	30.00	3.250	3.810
4735-41135-16	8	CW	3.00	1.28	1.72	30.00	5.001	6.000
4735-41135-17	8	CW	3.00	1.28	1.72	29.00	1.002	1.97/2.360
4735-41135-18	8	CW	3.00	1.28	1.72	29.50	2.000	3.500
4735-41135-19	8	CW	3.00	1.28	1.72	29.00	3.250	3.810
4735-41135-20	8	CW	3.00	1.28	1.72	29.00	5.001	6.000
4735-41135-21	8	CW	3.00	1.28	1.72	28.00	1.002	1.97/2.360
4735-41135-22	8	CW	3.00	1.28	1.72	28.00	2.000	3.500

FAN SPECS BY PART #

4735-41135-23 – 4735-41296-80

PART NUMBER	BLADES	ROT	PW	F-B	B-B	DIAMETER	PILOT	BOLT CIRCLE
4735-41135-23	8	CW	3.00	1.28	1.72	28.00	3.250	3.810
4735-41135-24	8	CW	3.00	1.28	1.72	28.00	5.001	6.000
4735-41135-25	8	CW	3.00	1.28	1.72	27.00	1.002	1.97/2.360
4735-41135-26	8	CW	3.00	1.28	1.72	27.00	2.000	3.500
4735-41135-27	8	CW	3.00	1.28	1.72	27.00	2.562	3.500
4735-41135-28	8	CW	3.00	1.28	1.72	27.00	3.250	3.810
4735-41135-29	8	CW	3.00	1.28	1.72	27.00	5.001	6.000
4735-41135-30	8	CW	3.00	1.28	1.72	26.00	1.002	1.97/2.360
4735-41135-31	8	CW	3.00	1.28	1.72	26.00	2.000	3.500
4735-41135-32	8	CW	3.00	1.28	1.72	26.00	2.562	3.500
4735-41135-33	8	CW	3.00	1.28	1.72	26.00	3.250	3.810
4735-41135-34	8	CW	3.00	1.28	1.72	26.00	5.001	6.000
4735-41135-35	8	CW	3.00	1.28	1.72	25.00	1.002	1.97/2.360
4735-41135-36	8	CW	3.00	1.28	1.72	25.00	2.000	3.500
4735-41135-37	8	CW	3.00	1.28	1.72	25.00	2.562	3.500
4735-41135-38	8	CW	3.00	1.28	1.72	25.00	3.250	3.810
4735-41135-39	8	CW	3.00	1.28	1.72	25.00	5.001	6.000
4735-41135-40	8	CW	3.00	1.28	1.72	24.00	1.002	1.97/2.360
4735-41135-41	8	CW	3.00	1.28	1.72	24.00	2.000	3.500
4735-41135-42	8	CW	3.00	1.28	1.72	24.00	2.562	3.500
4735-41135-43	8	CW	3.00	1.28	1.72	24.00	3.250	3.810
4735-41135-44	8	CW	3.00	1.28	1.72	24.00	5.001	6.000
4735-41135-45	8	CW	3.00	1.28	1.72	23.00	1.002	1.97/2.360
4735-41135-46	8	CW	3.00	1.28	1.72	23.00	2.000	3.500
4735-41135-47	8	CW	3.00	1.28	1.72	23.00	2.562	3.500
4735-41135-48	8	CW	3.00	1.28	1.72	23.00	3.250	3.810
4735-41135-49	8	CW	3.00	1.28	1.72	32.00	2.053	3.50/3.875
4735-41135-50	8	CW	3.00	1.28	1.72	29.00	5.250	6.000
4735-41135-52	8	CW	3.00	1.28	1.72	30.00	2.053	3.50/3.875
4735-41135-53	8	CW	3.00	1.28	1.72	25.20	5.001	6.000
4735-41135-54	8	CW	3.00	1.28	1.72	30.00	3.864	4.610
4735-41135-55	8	CW	3.00	1.28	1.72	27.56	5.001	6.000
4735-41135-58	8	CW	3.00	1.28	1.72	28.35	4.921	5.750/6.000
4735-41135-59	8	CW	3.00	1.28	1.72	27.56	4.921	5.750/6.000
4735-41135-64	8	CW	3.00	1.28	1.72	26.00	1.380	Double
4735-41135-65	8	CW	3.00	1.28	1.72	27.17	4.260	5.039
4735-41135-66	8	CW	3.00	1.28	1.72	29.50	2.562	3.500
4735-41135-67	8	CW	3.00	1.28	1.72	27.56	4.260	5.039
4735-41135-68	8	CW	3.00	1.28	1.72	29.50	5.001	6.000
4735-41135-72	8	CW	3.00	1.28	1.72	28.35	2.562	3.500
4735-41135-73	8	CW	3.00	1.28	1.72	28.63	1.002	1.97/2.360
4735-41296-01	7	CCW	4.00	2.10	1.90	28.00	2.187	3.000
4735-41296-02	7	CCW	4.00	2.10	1.90	26.00	2.187	3.000
4735-41296-03	7	CCW	4.00	2.10	1.90	20.00	1.614	2.500
4735-41296-04	7	CCW	4.00	2.10	1.90	18.00	1.614	2.500
4735-41296-05	7	CCW	4.00	2.10	1.90	28.00	2.000	3.500
4735-41296-06	7	CCW	4.00	2.10	1.90	19.00	1.614	2.500
4735-41296-07	7	CCW	4.00	2.10	1.90	25.00	4.000	4.478
4735-41296-08	7	CCW	4.00	2.10	1.90	26.00	1.002	1.97/2.360
4735-41296-09	7	CCW	4.00	2.10	1.90	28.00	1.002	1.97/2.360
4735-41296-10	7	CCW	4.00	2.10	1.90	26.00	2.000	3.500
4735-41296-11	7	CCW	4.00	2.10	1.90	22.00	1.614	2.500
4735-41296-12	7	CCW	4.00	2.10	1.90	16.50	1.500	Double
4735-41296-13	7	CCW	4.00	2.10	1.90	18.00	1.500	Double
4735-41296-14	7	CCW	4.00	2.10	1.90	24.00	1.002	1.97/2.360
4735-41296-17	7	CCW	4.00	2.10	1.90	17.00	1.002	1.97/2.360
4735-41296-19	7	CCW	4.00	2.10	1.90	19.00	1.500	Double
4735-41296-20	7	CCW	4.00	2.10	1.90	23.00	1.500	Double
4735-41296-21	7	CCW	4.00	2.10	1.90	26.00	1.614	2.500
4735-41296-28	7	CCW	4.00	2.10	1.90	14.00	4.000	4.478
4735-41296-29	7	CCW	4.00	2.10	1.90	15.00	1.002	1.97/2.360
4735-41296-31	7	CCW	4.00	2.10	1.90	15.00	1.614	2.500
4735-41296-36	7	CCW	4.00	2.10	1.90	16.00	1.002	1.97/2.360
4735-41296-42	7	CCW	4.00	2.10	1.90	16.00	4.000	4.478
4735-41296-44	7	CCW	4.00	2.10	1.90	17.00	1.614	2.500
4735-41296-49	7	CCW	4.00	2.10	1.90	18.00	1.002	1.97/2.360
4735-41296-61	7	CCW	4.00	2.10	1.90	20.00	1.002	1.97/2.360
4735-41296-68	7	CCW	4.00	2.10	1.90	21.00	1.500	2.50/2.875
4735-41296-74	7	CCW	4.00	2.10	1.90	22.00	1.002	1.97/2.360
4735-41296-76	7	CCW	4.00	2.10	1.90	22.00	2.000	3.500
4735-41296-80	7	CCW	4.00	2.10	1.90	23.00	1.002	1.97/2.360

FAN SPECS BY PART #

4735-41296-81 – 4735-41391-80

PART NUMBER	BLADES	ROT	PW	F-B	B-B	DIAMETER	PILOT	BOLT CIRCLE
4735-41296-81	7	CCW	4.00	2.10	1.90	23.00	1.500	2.50/2.875
4735-41296-82	7	CCW	4.00	2.10	1.90	23.00	1.614	2.500
4735-41296-83	7	CCW	4.00	2.10	1.90	23.00	2.000	3.500
4735-41296-88	7	CCW	4.00	2.10	1.90	24.00	1.614	2.500
4735-41296-89	7	CCW	4.00	2.10	1.90	24.00	2.000	3.500
4735-41296-93	7	CCW	4.00	2.10	1.90	25.00	1.002	1.97/2.360
4735-41296-95	7	CCW	4.00	2.10	1.90	25.00	1.614	2.500
4735-41296-99	7	CCW	4.00	2.10	1.90	26.00	1.500	Double
4735-41296-100	7	CCW	4.00	2.10	1.90	26.00	2.000	3.500
4735-41296-103	7	CCW	4.00	2.10	1.90	27.00	1.002	1.97/2.360
4735-41296-106	7	CCW	4.00	2.10	1.90	27.00	2.000	3.500
4735-41296-112	7	CCW	4.00	2.10	1.90	28.00	2.562	3.500
4735-41296-114	7	CCW	4.00	2.10	1.90	28.00	4.000	4.478
4735-41296-115	7	CCW	4.00	2.10	1.90	18.00	1.263	2.130
4735-41296-117	7	CCW	4.00	2.10	1.90	22.00	2.187	3.000
4735-41296-120	7	CCW	4.00	2.10	1.90	19.00	1.614	2.500
4735-41296-121	7	CCW	4.00	2.10	1.90	17.00	1.614	2.500
4735-41296-125	7	CCW	4.00	2.10	1.90	22.78	1.614	2.500
4735-41296-128	7	CCW	4.00	2.10	1.90	27.50	1.002	1.97/2.360
4735-41296-129	7	CCW	4.00	2.10	1.90	18.00	1.614	2.374
4735-41296-131	7	CCW	4.00	2.10	1.90	27.56	2.000	3.500
4735-41296-134	7	CCW	4.00	2.10	1.90	24.50	2.000	3.500
4735-41296-135	7	CCW	4.00	2.10	1.90	23.62	2.000	3.500
4735-41296-136	7	CCW	4.00	2.10	1.90	24.00	1.002	None
4735-41296-137	7	CCW	4.00	2.10	1.90	16.00	1.263	2.130
4735-41296-138	7	CCW	4.00	2.10	1.90	27.50	2.000	3.500
4735-41296-140	7	CCW	4.00	2.10	1.90	14.50	1.002	1.97/2.360
4735-41296-141	7	CCW	4.00	2.10	1.90	15.00	2.625	3.250
4735-41296-142	7	CCW	4.00	2.10	1.90	16.00	2.625	3.250
4735-41296-143	7	CCW	4.00	2.10	1.90	16.50	2.625	3.250
4735-41296-144	7	CCW	4.00	2.10	1.90	18.00	1.693	2.440
4735-41296-145	7	CCW	4.00	2.10	1.90	14.17	1.614	2.500
4735-41296-146	7	CCW	4.00	2.10	1.90	18.00	1.126	2.063
4735-41296-147	7	CCW	4.00	2.10	1.90	18.00	3.250	3.810
4735-41296-148	7	CCW	4.00	2.10	1.90	14.50	1.500	2.50&2.88D
4735-41296-150	7	CCW	4.00	2.10	1.90	16.50	3.250	3.810
4735-41296-153	7	CCW	4.00	2.10	1.90	16.50	1.417	2.283
4735-41296-154	7	CCW	4.00	2.10	1.90	23.75	1.002	1.97/2.36
4735-41296-155	7	CCW	4.00	2.10	1.90	20.00	1.500	2.50/2.875
4735-41391-01	9	CW	3.50	0.54	2.96	30.00	2.562	3.500
4735-41391-02	9	CW	3.50	0.54	2.96	30.00	2.000	3.500
4735-41391-04	9	CW	3.50	0.54	2.96	29.00	2.562	3.500
4735-41391-05	9	CW	3.50	0.54	2.96	28.00	2.562	3.500
4735-41391-07	9	CW	3.50	0.54	2.96	32.00	2.000	3.500
4735-41391-08	9	CW	3.50	0.54	2.96	32.00	2.562	3.500
4735-41391-09	9	CW	3.50	0.54	2.96	32.00	5.001	6.000
4735-41391-12	9	CW	3.50	0.54	2.96	31.00	2.562	3.500
4735-41391-14	9	CW	3.50	0.54	2.96	30.00	1.002	1.97/2.360
4735-41391-16	9	CW	3.50	0.54	2.96	30.00	5.001	6.000
4735-41391-20	9	CW	3.50	0.54	2.96	29.00	5.001	6.000
4735-41391-21	9	CW	3.50	0.54	2.96	28.00	1.002	1.97/2.360
4735-41391-22	9	CW	3.50	0.54	2.96	28.00	2.000	3.500
4735-41391-24	9	CW	3.50	0.54	2.96	28.00	5.001	6.000
4735-41391-29	9	CW	3.50	0.54	2.96	27.00	5.001	6.000
4735-41391-32	9	CW	3.50	0.54	2.96	26.00	2.562	3.500
4735-41391-33	9	CW	3.50	0.54	2.96	26.00	3.250	3.810
4735-41391-34	9	CW	3.50	0.54	2.96	26.00	5.001	6.000
4735-41391-37	9	CW	3.50	0.54	2.96	25.00	2.562	3.500
4735-41391-39	9	CW	3.50	0.54	2.96	25.00	5.001	6.000
4735-41391-40	9	CW	3.50	0.54	2.96	24.00	1.002	1.97/2.360
4735-41391-43	9	CW	3.50	0.54	2.96	24.00	3.250	3.810
4735-41391-44	9	CW	3.50	0.54	2.96	24.00	5.001	6.000
4735-41391-51	9	CW	3.50	0.54	2.96	22.00	2.000	3.500
4735-41391-52	9	CW	3.50	0.54	2.96	22.00	2.562	3.500
4735-41391-58	9	CW	3.50	0.54	2.96	29.50	5.001	6.000
4735-41391-64	9	CW	3.50	0.54	2.96	28.00	4.000	4.478
4735-41391-65	9	CW	3.50	0.54	2.96	26.75	4.000	4.478
4735-41391-72	9	CW	3.50	0.54	2.96	25.00	4.000	4.478
4735-41391-76	9	CW	3.50	0.54	2.96	30.00	4.000	4.478
4735-41391-79	9	CW	3.50	0.54	2.96	24.00	2.187	3.000
4735-41391-80	9	CW	3.50	0.54	2.96	30.00	2.187	3.000

FAN SPECS BY PART #



4735-41391-82 – 4735-41392-105

PART NUMBER	BLADES	ROT	PW	F-B	B-B	DIAMETER	PILOT	BOLT CIRCLE
4735-41391-82	9	CW	3.50	0.54	2.96	22.00	4.921	5.750/6.00
4735-41391-83	9	CW	3.50	0.54	2.96	24.00	4.921	5.750/6.00
4735-41391-84	9	CW	3.50	0.54	2.96	30.00	2.053	3.50/3.875
4735-41391-85	9	CW	3.50	0.54	2.96	32.00	2.187	3.000
4735-41391-87	9	CW	3.50	0.54	2.96	32.00	2.053	3.50/3.875
4735-41391-90	9	CW	3.50	0.54	2.96	27.56	5.001	6.000
4735-41391-92	9	CW	3.50	0.54	2.96	23.60	5.001	6.000
4735-41391-93	9	CW	3.50	0.54	2.96	27.50	4.921	5.750/6.00
4735-41391-98	9	CW	3.50	0.54	2.96	23.62	4.921	5.750/6.00
4735-41391-104	9	CW	3.50	0.54	2.96	25.19	4.921	5.750/6.00
4735-41391-110	9	CW	3.50	0.54	2.96	26.00	2.187	3.000
4735-41392-01	9	CW	3.50	1.29	2.21	30.00	2.562	3.500
4735-41392-02	9	CW	3.50	1.29	2.21	30.00	2.000	3.50/3.875
4735-41392-04	9	CW	3.50	1.29	2.21	29.00	2.562	3.500
4735-41392-05	9	CW	3.50	1.29	2.21	28.00	2.562	3.500
4735-41392-06	9	CW	3.50	1.29	2.21	32.00	1.002	1.97/2.360
4735-41392-07	9	CW	3.50	1.29	2.21	32.00	2.000	3.500
4735-41392-08	9	CW	3.50	1.29	2.21	32.00	2.562	3.500
4735-41392-09	9	CW	3.50	1.29	2.21	32.00	5.001	6.000
4735-41392-10	9	CW	3.50	1.29	2.21	31.00	1.002	1.97/2.360
4735-41392-11	9	CW	3.50	1.29	2.21	31.00	2.000	3.500
4735-41392-14	9	CW	3.50	1.29	2.21	30.00	1.002	1.97/2.360
4735-41392-15	9	CW	3.50	1.29	2.21	30.00	3.250	3.810
4735-41392-16	9	CW	3.50	1.29	2.21	30.00	5.001	6.000
4735-41392-20	9	CW	3.50	1.29	2.21	29.00	5.001	6.000
4735-41392-21	9	CW	3.50	1.29	2.21	28.00	1.002	1.97/2.360
4735-41392-22	9	CW	3.50	1.29	2.21	28.00	2.000	3.500
4735-41392-24	9	CW	3.50	1.29	2.21	28.00	5.001	6.000
4735-41392-25	9	CW	3.50	1.29	2.21	27.00	1.002	1.97/2.360
4735-41392-26	9	CW	3.50	1.29	2.21	27.00	2.000	3.50/3.875
4735-41392-27	9	CW	3.50	1.29	2.21	27.00	2.562	3.500
4735-41392-29	9	CW	3.50	1.29	2.21	27.00	5.001	6.000
4735-41392-31	9	CW	3.50	1.29	2.21	26.00	2.000	3.500
4735-41392-32	9	CW	3.50	1.29	2.21	26.00	2.562	3.500
4735-41392-33	9	CW	3.50	1.29	2.21	26.00	3.250	3.810
4735-41392-34	9	CW	3.50	1.29	2.21	26.00	5.001	6.000
4735-41392-35	9	CW	3.50	1.29	2.21	25.00	1.002	1.97/2.360
4735-41392-36	9	CW	3.50	1.29	2.21	25.00	2.000	3.500
4735-41392-37	9	CW	3.50	1.29	2.21	25.00	2.562	3.500
4735-41392-38	9	CW	3.50	1.29	2.21	25.00	3.250	3.810
4735-41392-39	9	CW	3.50	1.29	2.21	25.00	5.001	6.000
4735-41392-40	9	CW	3.50	1.29	2.21	24.00	1.002	1.97/2.360
4735-41392-41	9	CW	3.50	1.29	2.21	24.00	2.000	3.500
4735-41392-42	9	CW	3.50	1.29	2.21	24.00	2.562	3.500
4735-41392-44	9	CW	3.50	1.29	2.21	24.00	5.001	6.000
4735-41392-45	9	CW	3.50	1.29	2.21	23.00	1.002	1.97/2.360
4735-41392-46	9	CW	3.50	1.29	2.21	23.00	2.000	3.500
4735-41392-47	9	CW	3.50	1.29	2.21	23.00	2.562	3.500
4735-41392-51	9	CW	3.50	1.29	2.21	22.00	2.000	3.500
4735-41392-53	9	CW	3.50	1.29	2.21	22.00	3.250	3.810
4735-41392-54	9	CW	3.50	1.29	2.21	22.00	5.001	6.000
4735-41392-58	9	CW	3.50	1.29	2.21	29.50	5.001	6.000
4735-41392-60	9	CW	3.50	1.29	2.21	28.50	2.000	3.500
4735-41392-64	9	CW	3.50	1.29	2.21	28.00	4.000	4.478
4735-41392-65	9	CW	3.50	1.29	2.21	26.75	4.000	4.478
4735-41392-72	9	CW	3.50	1.29	2.21	25.00	4.000	4.478
4735-41392-74	9	CW	3.50	1.29	2.21	27.00	4.000	4.478
4735-41392-76	9	CW	3.50	1.29	2.21	30.00	4.000	4.478
4735-41392-78	9	CW	3.50	1.29	2.21	32.00	4.000	4.478
4735-41392-81	9	CW	3.50	1.29	2.21	28.00	2.053	3.50/3.875
4735-41392-84	9	CW	3.50	1.29	2.21	30.00	2.053	3.50/3.875
4735-41392-85	9	CW	3.50	1.29	2.21	32.00	2.187	3.000
4735-41392-86	9	CW	3.50	1.29	2.21	31.50	2.000	3.500
4735-41392-87	9	CW	3.50	1.29	2.21	32.00	2.053	3.50/3.875
4735-41392-88	9	CW	3.50	1.29	2.21	32.00	3.687	4.625
4735-41392-90	9	CW	3.50	1.29	2.21	27.56	5.001	6.000
4735-41392-94	9	CW	3.50	1.29	2.21	32.00	4.921	5.750/6.00
4735-41392-95	9	CW	3.50	1.29	2.21	28.50	2.562	3.500
4735-41392-103	9	CW	3.50	1.29	2.21	26.75	2.562	3.500
4735-41392-104	9	CW	3.50	1.29	2.21	25.19	4.921	5.750/6.00
4735-41392-105	9	CW	3.50	1.29	2.21	25.67	1.002	1.97/2.360

FAN SPECS BY PART #

4735-41392-108 – 4735-41393-104

PART NUMBER	BLADES	ROT	PW	F-B	B-B	DIAMETER	PILOT	BOLT CIRCLE
4735-41392-108	9	CW	3.50	1.29	2.21	22.00	1.614	2.500
4735-41392-109	9	CW	3.50	1.29	2.21	32.00	3.000	5.250
4735-41392-110	9	CW	3.50	1.29	2.21	26.00	2.187	3.000
4735-41392-112	9	CW	3.50	1.29	2.21	26.75	5.001	6.000
4735-41392-113	9	CW	3.50	1.29	2.21	29.50	2.560	3.500
4735-41392-114	9	CW	3.50	1.29	2.21	28.43	5.000	6.000
4735-41393-01	9	CW	3.50	2.04	1.46	30.00	2.562	3.500
4735-41393-02	9	CW	3.50	2.04	1.46	30.00	2.000	3.500
4735-41393-03	9	CW	3.50	2.04	1.46	29.00	2.000	3.500
4735-41393-04	9	CW	3.50	2.04	1.46	29.00	2.562	3.500
4735-41393-05	9	CW	3.50	2.04	1.46	28.00	2.562	3.500
4735-41393-06	9	CW	3.50	2.04	1.46	32.00	1.002	1.97/2.360
4735-41393-07	9	CW	3.50	2.04	1.46	32.00	2.000	3.500
4735-41393-08	9	CW	3.50	2.04	1.46	32.00	2.562	3.500
4735-41393-09	9	CW	3.50	2.04	1.46	32.00	5.001	6.000
4735-41393-11	9	CW	3.50	2.04	1.46	31.00	2.000	3.500
4735-41393-12	9	CW	3.50	2.04	1.46	31.00	2.562	3.500
4735-41393-13	9	CW	3.50	2.04	1.46	31.00	5.001	6.000
4735-41393-14	9	CW	3.50	2.04	1.46	30.00	1.002	1.97/2.360
4735-41393-16	9	CW	3.50	2.04	1.46	30.00	5.001	6.000
4735-41393-20	9	CW	3.50	2.04	1.46	29.00	5.001	6.000
4735-41393-21	9	CW	3.50	2.04	1.46	28.00	1.002	1.97/2.360
4735-41393-22	9	CW	3.50	2.04	1.46	28.00	2.000	3.500
4735-41393-24	9	CW	3.50	2.04	1.46	28.00	5.001	6.000
4735-41393-27	9	CW	3.50	2.04	1.46	27.00	2.562	3.500
4735-41393-28	9	CW	3.50	2.04	1.46	27.00	3.250	3.810
4735-41393-29	9	CW	3.50	2.04	1.46	27.00	5.001	6.000
4735-41393-30	9	CW	3.50	2.04	1.46	26.00	1.002	1.97/2.360
4735-41393-31	9	CW	3.50	2.04	1.46	26.00	2.000	3.500
4735-41393-32	9	CW	3.50	2.04	1.46	26.00	2.562	3.500
4735-41393-33	9	CW	3.50	2.04	1.46	26.00	3.250	3.810
4735-41393-34	9	CW	3.50	2.04	1.46	26.00	5.001	6.000
4735-41393-35	9	CW	3.50	2.04	1.46	25.00	1.002	1.97/2.360
4735-41393-36	9	CW	3.50	2.04	1.46	25.00	2.000	3.500
4735-41393-39	9	CW	3.50	2.04	1.46	25.00	5.001	6.000
4735-41393-40	9	CW	3.50	2.04	1.46	24.00	1.002	1.97/2.360
4735-41393-41	9	CW	3.50	2.04	1.46	24.00	2.000	3.500
4735-41393-42	9	CW	3.50	2.04	1.46	24.00	2.562	3.500
4735-41393-43	9	CW	3.50	2.04	1.46	24.00	3.250	3.810
4735-41393-44	9	CW	3.50	2.04	1.46	24.00	5.001	6.000
4735-41393-50	9	CW	3.50	2.04	1.46	22.00	1.002	1.97/2.360
4735-41393-51	9	CW	3.50	2.04	1.46	22.00	2.000	3.500
4735-41393-52	9	CW	3.50	2.04	1.46	22.00	2.562	3.500
4735-41393-53	9	CW	3.50	2.04	1.46	22.00	3.250	3.810
4735-41393-54	9	CW	3.50	2.04	1.46	22.00	5.001	6.000
4735-41393-58	9	CW	3.50	2.04	1.46	27.50	5.001	6.000
4735-41393-61	9	CW	3.50	2.04	1.46	28.50	2.562	3.500
4735-41393-64	9	CW	3.50	2.04	1.46	28.00	4.000	4.478
4735-41393-65	9	CW	3.50	2.04	1.46	26.75	4.000	4.478
4735-41393-68	9	CW	3.50	2.04	1.46	26.50	2.000	3.500
4735-41393-72	9	CW	3.50	2.04	1.46	25.00	4.000	4.478
4735-41393-73	9	CW	3.50	2.04	1.46	26.00	4.000	4.478
4735-41393-74	9	CW	3.50	2.04	1.46	27.00	4.000	4.478
4735-41393-75	9	CW	3.50	2.04	1.46	30.00	4.000	4.478
4735-41393-76	9	CW	3.50	2.04	1.46	30.00	4.000	4.478
4735-41393-80	9	CW	3.50	2.04	1.46	30.00	2.187	3.000
4735-41393-81	9	CW	3.50	2.04	1.46	28.00	2.053	3.50/3.875
4735-41393-84	9	CW	3.50	2.04	1.46	30.00	2.053	3.50/3.875
4735-41393-85	9	CW	3.50	2.04	1.46	32.00	2.187	Double
4735-41393-86	9	CW	3.50	2.04	1.46	31.50	2.000	3.500
4735-41393-87	9	CW	3.50	2.04	1.46	32.00	2.053	3.50/3.875
4735-41393-90	9	CW	3.50	2.04	1.46	27.50	5.001	6.000
4735-41393-92	9	CW	3.50	2.04	1.46	23.60	5.001	6.000
4735-41393-93	9	CW	3.50	2.04	1.46	27.50	4.921	5.750/6.00
4735-41393-95	9	CW	3.50	2.04	1.46	29.00	2.187	3.000
4735-41393-96	9	CW	3.50	2.04	1.46	28.00	4.921	5.750/6.00
4735-41393-97	9	CW	3.50	2.04	1.46	26.71	2.000	3.500
4735-41393-100	9	CW	3.50	2.04	1.46	31.00	2.053	3.50/3.875
4735-41393-101	9	CW	3.50	2.04	1.46	30.00	4.921	5.750/6.00
4735-41393-102	9	CW	3.50	2.04	1.46	21.00	3.250	3.810
4735-41393-104	9	CW	3.50	2.04	1.46	25.19	4.921	5.750/6.00

FAN SPECS BY PART#

4735-41393-106 – 4735-42599-13

PART NUMBER	BLADES	ROT	PW	F-B	B-B	DIAMETER	PILOT	BOLT CIRCLE
4735-41393-106	9	CW	3.50	2.04	1.46	26.00	2.187	3.500
4735-41393-107	9	CW	3.50	2.04	1.46	31.00	2.053	3.875/6.00
4735-41393-111	9	CW	3.50	2.04	1.46	24.50	5.001	6.000
4735-41393-112	9	CW	3.50	2.04	1.46	24.40	4.000	4.478
4735-41393-113	9	CW	3.50	2.04	1.46	25.20	5.001	6.000
4735-41393-114	9	CW	3.50	2.04	1.46	26.00	3.750	4.500
4735-41393-115	9	CW	3.50	2.04	1.46	27.56	5.001	6.000
4735-41393-116	9	CW	3.50	2.04	1.46	24.60	1.262	2.362
4735-41393-117	9	CW	3.50	2.04	1.46	29.50	2.560	3.500
4735-41495-01	9	CW	3.00	0.52	2.47	28.50	2.562	3.500
4735-41495-03	9	CW	3.00	0.52	2.47	28.50	5.001	6.000
4735-41495-08	9	CW	3.00	0.52	2.47	26.00	2.562	3.500
4735-41495-09	9	CW	3.00	0.52	2.47	24.00	2.562	3.500
4735-41495-10	9	CW	3.00	0.52	2.47	25.00	2.562	3.500
4735-41497-01	9	CW	3.00	2.02	0.97	28.50	2.562	3.500
4735-41497-03	9	CW	3.00	2.02	0.97	28.50	5.001	6.000
4735-41497-07	9	CW	3.00	2.02	0.97	26.00	5.001	6.000
4735-41497-08	9	CW	3.00	2.02	0.97	26.00	2.562	3.500
4735-41497-09	9	CW	3.00	2.02	0.97	24.00	2.562	3.500
4735-41497-11	9	CW	3.00	2.02	0.97	28.50	4.000	4.478
4735-41498-01	9	CW	3.00	1.27	1.72	28.50	2.562	3.500
4735-41498-07	9	CW	3.00	1.27	1.72	26.00	5.001	6.000
4735-41498-08	9	CW	3.00	1.27	1.72	26.00	2.562	3.500
4735-41498-09	9	CW	3.00	1.27	1.72	24.00	2.562	3.500
4735-41498-10	9	CW	3.00	1.27	1.72	25.00	2.562	3.500
4735-41498-11	9	CW	2.98	1.27	—	28.50	4.000	4.478
4735-41498-12	9	CW	2.97	1.27	—	26.00	4.000	4.478
4735-42002-01	—	—	—	—	—	18.00	1.500	Double
4735-42002-02	—	—	—	—	—	16.50	1.500	Double
4735-42111-02	9	CW	3.13	0.54	2.83	30.00	2.000	3.500
4735-42111-07	9	CW	3.13	0.54	2.83	32.00	2.000	3.500
4735-42111-08	9	CW	3.13	0.54	2.83	32.00	2.562	3.500
4735-42111-09	9	CW	3.13	0.54	2.83	30.00	2.562	3.500
4735-42112-01	9	CW	3.13	1.29	2.08	30.00	2.562	3.500
4735-42112-02	9	CW	3.13	1.29	2.08	30.00	2.000	3.500
4735-42112-07	9	CW	3.13	1.29	2.08	32.00	2.000	3.500
4735-42112-09	9	CW	3.13	1.29	2.08	32.00	2.560	3.500
4735-42112-12	9	CW	3.13	1.29	2.08	31.00	2.562	3.500
4735-42112-61	9	CW	3.13	1.29	2.08	28.50	2.562	3.500
4735-42113-01	9	CW	3.13	2.04	1.33	30.00	2.562	3.500
4735-42113-04	9	CW	3.13	2.04	1.33	29.00	2.562	3.500
4735-42113-08	9	CW	3.13	2.04	1.33	32.00	2.562	3.500
4735-42113-12	9	CW	3.13	2.04	1.33	31.00	2.562	3.500
4735-42113-13	9	CW	3.13	2.04	1.33	31.00	5.001	6.000
4735-42113-56	9	CW	3.13	2.04	1.33	29.50	2.562	3.500
4735-42113-61	9	CW	3.13	2.04	1.33	28.50	2.562	3.500
4735-42113-63	9	CW	3.13	2.04	1.33	28.50	5.001	6.000
4735-42137-13	8	CW	3.00	0.53	2.47	31.00	5.001	6.000
4735-42137-21	8	CW	3.00	0.53	2.47	26.00	5.001	6.000
4735-42137-42	8	CW	3.00	0.53	2.47	32.00	2.562	3.500
4735-42137-46	8	CW	3.00	0.53	2.47	31.00	2.562	3.500
4735-42476-34	8	CW	3.00	1.28	1.72	26.00	5.001	6.000
4735-42476-44	8	CW	3.00	1.28	1.72	24.00	5.001	6.000
4735-42476-45	8	CW	3.00	1.28	1.72	24.00	5.001	6.000
4735-42476-71	8	CW	3.00	1.28	1.72	28.35	5.001	6.000
4735-42578-21	8	CW	3.00	2.03	0.97	26.00	5.001	6.000
4735-42578-43	8	CW	3.00	2.03	0.97	32.00	5.001	6.000
4735-42578-44	8	CW	3.00	2.03	0.97	24.00	5.001	6.000
4735-42578-45	8	CW	3.00	2.03	0.97	26.77	5.001	6.000
4735-42599-01	10	CCW	2.90	2.10	0.93	30.00	1.002	1.97/2.360
4735-42599-02	10	CCW	2.90	2.10	0.93	30.00	1.500	Double
4735-42599-03	10	CCW	2.90	2.10	0.93	30.00	1.614	2.500
4735-42599-04	10	CCW	2.90	2.10	0.93	30.00	2.000	3.50/3.875
4735-42599-05	10	CCW	2.90	2.10	0.93	30.00	2.562	3.500
4735-42599-07	10	CCW	2.90	2.10	0.93	30.00	4.921	5.750/6.00
4735-42599-08	10	CCW	2.90	2.10	0.93	30.00	5.001	6.000
4735-42599-09	10	CCW	2.90	2.10	0.93	29.53	1.614	2.500
4735-42599-10	10	CCW	2.90	2.10	0.93	29.53	4.921	5.750/6.00
4735-42599-11	10	CCW	2.90	2.10	0.93	28.35	2.562	3.500
4735-42599-12	10	CCW	2.90	2.10	0.93	28.53	4.921	5.750/6.00
4735-42599-13	10	CCW	2.90	2.10	0.93	28.35	5.001	6.000

FAN SPECS BY PART #

4735-42599-14 – 4735-42599-114

PART NUMBER	BLADES	ROT	PW	F-B	B-B	DIAMETER	PILOT	BOLT CIRCLE
4735-42599-14	10	CCW	2.90	2.10	0.93	28.00	1.002	1.97/2.360
4735-42599-15	10	CCW	2.90	2.10	0.93	28.00	1.500	Double
4735-42599-16	10	CCW	2.90	2.10	0.93	28.00	1.614	2.500
4735-42599-17	10	CCW	2.90	2.10	0.93	28.00	2.000	3.50/3.875
4735-42599-18	10	CCW	2.90	2.10	0.93	28.00	2.562	3.500
4735-42599-20	10	CCW	2.90	2.10	0.93	28.00	4.921	5.750/6.00
4735-42599-21	10	CCW	2.90	2.10	0.93	28.00	5.001	6.000
4735-42599-22	10	CCW	2.90	2.10	0.93	27.56	4.921	5.750/6.00
4735-42599-23	10	CCW	2.90	2.10	0.93	27.56	5.001	6.000
4735-42599-24	10	CCW	2.90	2.10	0.93	26.00	1.002	1.97/2.360
4735-42599-25	10	CCW	2.90	2.10	0.93	26.00	1.500	Double
4735-42599-26	10	CCW	2.90	2.10	0.93	26.00	1.614	2.500
4735-42599-27	10	CCW	2.90	2.10	0.93	26.00	2.000	3.50/3.875
4735-42599-28	10	CCW	2.90	2.10	0.93	26.00	2.562	3.500
4735-42599-30	10	CCW	2.90	2.10	0.93	26.00	4.921	5.750/6.00
4735-42599-31	10	CCW	2.90	2.10	0.93	26.00	5.001	6.000
4735-42599-32	10	CCW	2.90	2.10	0.93	25.59	4.921	5.750/6.00
4735-42599-33	10	CCW	2.90	2.10	0.93	25.59	5.001	6.000
4735-42599-34	10	CCW	2.90	2.10	0.93	24.00	1.002	1.97/2.360
4735-42599-35	10	CCW	2.90	2.10	0.93	24.00	1.500	Double
4735-42599-36	10	CCW	2.90	2.10	0.93	24.00	1.614	2.500
4735-42599-37	10	CCW	2.90	2.10	0.93	24.00	2.000	3.50/3.875
4735-42599-38	10	CCW	2.90	2.10	0.93	24.00	2.562	3.500
4735-42599-40	10	CCW	2.90	2.10	0.93	24.00	4.921	5.750/6.00
4735-42599-41	10	CCW	2.90	2.10	0.93	24.00	5.001	6.000
4735-42599-42	10	CCW	2.90	2.10	0.93	23.62	4.921	5.750/6.00
4735-42599-43	10	CCW	2.90	2.10	0.93	23.62	5.001	6.000
4735-42599-44	10	CCW	2.90	2.10	0.93	22.00	1.002	1.97/2.360
4735-42599-45	10	CCW	2.90	2.10	0.93	22.00	1.500	Double
4735-42599-46	10	CCW	2.90	2.10	0.93	22.00	1.614	2.500
4735-42599-47	10	CCW	2.90	2.10	0.93	22.00	2.000	3.50/3.875
4735-42599-48	10	CCW	2.90	2.10	0.93	22.00	2.562	3.500
4735-42599-50	10	CCW	2.90	2.10	0.93	22.00	4.921	5.750/6.00
4735-42599-51	10	CCW	2.90	2.10	0.93	22.00	5.001	6.000
4735-42599-52	10	CCW	2.90	2.10	0.93	25.59	2.562	3.500
4735-42599-53	10	CCW	2.90	2.10	0.93	26.77	4.921	5.750/6.00
4735-42599-54	10	CCW	2.90	2.10	0.93	24.41	4.921	5.750/6.00
4735-42599-55	10	CCW	2.90	2.10	0.93	25.20	5.001	6.000
4735-42599-56	10	CCW	2.90	2.10	0.93	29.00	2.562	3.500
4735-42599-57	10	CCW	2.90	2.10	0.93	29.00	5.001	6.000
4735-42599-58	10	CCW	2.90	2.10	0.93	23.00	2.000	3.500
4735-42599-60	10	CCW	2.90	2.10	0.93	20.00	1.614	2.500
4735-42599-61	10	CCW	2.90	2.10	0.93	20.00	1.002	1.97/2.360
4735-42599-62	10	CCW	2.90	2.10	0.93	18.00	1.614	2.500
4735-42599-63	10	CCW	2.90	2.10	0.93	27.95	2.000	3.500
4735-42599-64	10	CCW	2.90	2.10	0.93	29.13	2.000	3.500
4735-42599-65	10	CCW	2.90	2.10	0.93	17.00	2.187	3.000
4735-42599-66	10	CCW	2.90	2.10	0.93	21.00	1.614	2.500
4735-42599-67	10	CCW	2.90	2.10	0.93	26.00	4.488	5.197
4735-42599-68	10	CCW	2.90	2.10	0.93	30.00	2.187	3.000
4735-42599-69	10	CCW	2.90	2.10	0.93	23.62	2.000	3.500(4)
4735-42599-70	10	CCW	2.90	2.10	0.93	26.00	2.000	3.500(4)
4735-42599-71	10	CCW	2.90	2.10	0.93	27.50	1.002	1.97/2.360
4735-42599-74	10	CCW	2.90	2.10	0.93	23.00	5.001	6.000
4735-42599-75	10	CCW	2.90	2.10	0.93	30.00	3.687	4.625
4735-42599-80	10	CCW	2.90	2.10	0.93	25.00	1.002	1.97/2.360
4735-42599-82	10	CCW	2.90	2.10	0.93	18.50	1.614	2.500
4735-42599-83	10	CCW	2.90	2.10	0.93	25.00	1.002	1.97/2.360
4735-42599-84	10	CCW	2.90	2.10	0.93	28.54	4.921	5.750/6.00
4735-42599-89	10	CCW	2.90	2.10	0.93	23.22	1.102	2.360
4735-42599-90	10	CCW	2.90	2.10	0.93	19.00	1.263	2.750
4735-42599-96	10	CCW	2.90	2.10	0.93	27.00	1.002	1.97/2.360
4735-42599-101	10	CCW	2.90	2.10	0.93	18.00	2.000	3.500
4735-42599-103	10	CCW	2.90	2.10	0.93	19.50	2.562	3.50 dia(4@.406 & 4@.703)
4735-42599-105	10	CCW	2.90	2.10	0.93	25.00	1.614	2.500
4735-42599-106	10	CCW	2.90	2.10	0.93	23.00	1.500	Double
4735-42599-109	10	CCW	2.90	2.10	0.93	21.65	3.250	3.810
4735-42599-110	10	CCW	2.90	2.10	0.93	18.00	1.002	1.97/2.360
4735-42599-112	10	CCW	2.90	2.10	0.93	19.50	5.001	6.000
4735-42599-114	10	CCW	2.90	2.10	0.93	20.00	4.921	5.750/6.00

FAN SPECS BY PART #

4735-42599-115 – 4735-42600-70

PART NUMBER	BLADES	ROT	PW	F-B	B-B	DIAMETER	PILOT	BOLT CIRCLE
4735-42599-115	10	CCW	2.90	2.10	0.93	26.00	1.693	2.440
4735-42599-116	10	CCW	2.90	2.10	0.93	19.50	3.250	3.810
4735-42599-117	10	CCW	2.90	2.10	0.93	20.50	1.262	2.360
4735-42600-01	10	CW	2.90	2.10	0.93	30.00	1.002	1.97/2.360
4735-42600-02	10	CW	2.90	2.10	0.93	30.00	1.500	Double
4735-42600-03	10	CW	2.90	2.10	0.93	30.00	1.614	2.500
4735-42600-04	10	CW	2.90	2.10	0.93	30.00	2.000	3.50/3.875
4735-42600-05	10	CW	2.90	2.10	0.93	30.00	2.562	3.500
4735-42600-06	10	CW	2.90	2.10	0.93	30.00	4.000	4.478
4735-42600-07	10	CW	2.90	2.10	0.93	30.00	4.921	5.750/6.00
4735-42600-08	10	CW	2.90	2.10	0.93	30.00	5.001	6.000
4735-42600-09	10	CW	2.90	2.10	0.93	29.53	1.614	2.500
4735-42600-10	10	CW	2.90	2.10	0.93	29.53	4.921	5.750/6.00
4735-42600-11	10	CW	2.90	2.10	0.93	28.35	2.562	3.500
4735-42600-12	10	CW	2.90	2.10	0.93	28.53	4.921	5.750/6.00
4735-42600-13	10	CW	2.90	2.10	0.93	28.00	5.001	6.000
4735-42600-14	10	CW	2.90	2.10	0.93	28.00	1.002	1.97/2.360
4735-42600-15	10	CW	2.90	2.10	0.93	28.00	1.500	Double
4735-42600-16	10	CW	2.90	2.10	0.93	28.00	1.614	2.500
4735-42600-17	10	CW	2.90	2.10	0.93	28.00	2.000	3.50/3.875
4735-42600-18	10	CW	2.90	2.10	0.93	28.00	2.562	3.500
4735-42600-19	10	CW	2.90	2.10	0.93	28.00	4.000	4.478
4735-42600-20	10	CW	2.90	2.10	0.93	28.00	4.921	5.750/6.00
4735-42600-21	10	CW	2.90	2.10	0.93	28.00	5.001	6.000
4735-42600-22	10	CW	2.90	2.10	0.93	27.56	4.921	5.750/6.00
4735-42600-23	10	CW	2.90	2.10	0.93	27.56	5.001	6.000
4735-42600-24	10	CW	2.90	2.10	0.93	26.00	1.002	1.97/2.360
4735-42600-25	10	CW	2.90	2.10	0.93	26.00	1.500	Double
4735-42600-26	10	CW	2.90	2.10	0.93	26.00	1.614	2.500
4735-42600-27	10	CW	2.90	2.10	0.93	26.00	2.000	3.50/3.875
4735-42600-28	10	CW	2.90	2.10	0.93	26.00	2.562	3.500
4735-42600-30	10	CW	2.90	2.10	0.93	26.00	4.921	5.750/6.00
4735-42600-31	10	CW	2.90	2.10	0.93	26.00	5.001	6.000
4735-42600-32	10	CW	2.90	2.10	0.93	25.59	4.921	5.750/6.00
4735-42600-33	10	CW	2.90	2.10	0.93	25.59	5.001	6.000
4735-42600-34	10	CW	2.90	2.10	0.93	24.00	1.002	1.97/2.360
4735-42600-35	10	CW	2.90	2.10	0.93	24.00	1.500	Double
4735-42600-36	10	CW	2.90	2.10	0.93	24.00	1.614	2.500
4735-42600-37	10	CW	2.90	2.10	0.93	24.00	2.000	3.50/3.875
4735-42600-38	10	CW	2.90	2.10	0.93	24.00	2.562	3.500
4735-42600-39	10	CW	2.90	2.10	0.93	24.00	4.000	4.478
4735-42600-40	10	CW	2.90	2.10	0.93	24.00	4.921	5.750/6.00
4735-42600-41	10	CW	2.90	2.10	0.93	24.00	5.001	6.000
4735-42600-42	10	CW	2.90	2.10	0.93	23.62	4.921	5.750/6.00
4735-42600-43	10	CW	2.90	2.10	0.93	23.62	5.001	6.000
4735-42600-44	10	CW	2.90	2.10	0.93	22.00	1.002	1.97/2.360
4735-42600-45	10	CW	2.90	2.10	0.93	22.00	1.500	Double
4735-42600-46	10	CW	2.90	2.10	0.93	22.00	1.614	2.500
4735-42600-47	10	CW	2.90	2.10	0.93	22.00	2.000	3.50/3.875
4735-42600-48	10	CW	2.90	2.10	0.93	22.00	2.562	3.500
4735-42600-50	10	CW	2.90	2.10	0.93	22.00	4.921	5.750/6.00
4735-42600-51	10	CW	2.90	2.10	0.93	22.00	5.001	6.000
4735-42600-52	10	CW	2.90	2.10	0.93	25.59	2.562	3.500
4735-42600-53	10	CW	2.90	2.10	0.93	26.77	4.921	5.750/6.00
4735-42600-54	10	CW	2.90	2.10	0.93	24.41	4.921	5.750/6.00
4735-42600-55	10	CW	2.90	2.10	0.93	25.20	5.001	6.000
4735-42600-56	10	CW	2.90	2.10	0.93	29.00	2.562	3.500
4735-42600-57	10	CW	2.90	2.10	0.93	29.00	5.001	6.000
4735-42600-58	10	CW	2.90	2.10	0.93	23.00	2.000	3.500
4735-42600-59	10	CW	2.90	2.10	0.93	27.00	4.000	4.478
4735-42600-60	10	CW	2.90	2.10	0.93	20.00	1.614	2.500
4735-42600-61	10	CW	2.90	2.10	0.93	20.00	1.002	1.97/2.360
4735-42600-62	10	CW	2.90	2.10	0.93	18.00	1.614	2.500
4735-42600-63	10	CW	2.90	2.10	0.93	27.95	2.000	3.500
4735-42600-64	10	CW	2.90	2.10	0.93	29.13	2.000	3.500
4735-42600-65	10	CW	2.90	2.10	0.93	17.00	2.187	3.000
4735-42600-66	10	CW	2.90	2.10	0.93	21.00	1.614	2.500
4735-42600-67	10	CW	2.90	2.10	0.93	26.00	4.488	5.197
4735-42600-68	10	CW	2.90	2.10	0.93	30.00	2.187	3.000
4735-42600-69	10	CW	2.90	2.10	0.93	23.62	2.000	3.500
4735-42600-70	10	CW	2.90	2.10	0.93	26.00	2.000	3.500

FAN SPECS BY PART #

4735-42600-71 - 4735-42621-39

PART NUMBER	BLADES	ROT	PW	F-B	B-B	DIAMETER	PILOT	BOLT CIRCLE
4735-42600-71	10	CW	2.90	2.10	0.93	27.50	1.002	1.97/2.360
4735-42600-72	10	CW	2.90	2.10	0.93	23.66	1.002	1.97/2.360
4735-42600-74	10	CW	2.90	2.10	0.93	23.00	5.001	6.000
4735-42600-75	10	CW	2.90	2.10	0.93	30.00	3.687	4.625
4735-42600-76	10	CW	2.90	2.10	0.93	25.50	1.002	1.97/2.360
4735-42600-77	10	CW	2.90	2.10	0.93	24.00	3.250	3.810
4735-42600-79	10	CW	2.90	2.10	0.93	24.50	5.001	6.000
4735-42600-85	10	CW	2.90	2.10	0.93	24.60	1.889	2.840
4735-42600-86	10	CW	2.90	2.10	0.93	29.53	2.562	3.500
4735-42600-87	10	CW	2.90	2.10	0.93	29.53	2.000	3.500
4735-42600-88	10	CW	2.90	2.10	0.93	29.53	5.001	6.000
4735-42600-91	10	CW	2.90	2.10	0.93	24.60	1.693	2.440
4735-42600-92	10	CW	2.90	2.10	0.93	25.98	1.889	2.840
4735-42600-93	10	CW	2.90	2.10	0.93	21.00	2.000	3.500
4735-42600-94	10	CW	2.90	2.10	0.93	22.00	3.250	3.810
4735-42600-95	10	CW	2.90	2.10	0.93	23.00	1.002	Double
4735-42600-97	10	CW	2.90	2.10	0.93	23.62	3.250	3.810
4735-42600-98	10	CW	2.90	2.10	0.93	19.00	4.000	4.478
4735-42600-99	10	CW	2.90	2.10	0.93	29.00	2.000	3.500
4735-42600-102	10	CW	2.90	2.10	0.93	25.00	5.001	6.000
4735-42600-104	10	CW	2.90	2.10	0.93	24.00	1.264	2.750
4735-42600-105	10	CW	2.90	2.10	0.93	25.00	4.921	5.750/6.00
4735-42600-106	10	CW	2.90	2.10	0.93	23.00	1.500	Double
4735-42600-107	10	CW	2.90	2.10	0.93	26.00	3.250	3.810
4735-42600-108	10	CW	2.90	2.10	0.93	23.62	4.000	4.478
4735-42600-110	10	CW	2.90	2.10	0.93	18.00	1.002	1.97/2.360
4735-42600-111	10	CW	2.90	2.10	0.93	20.00	2.562	3.500
4735-42600-113	10	CW	2.90	2.10	0.93	30.00	3.000	5.250
4735-42600-118	10	CW	2.90	2.10	0.93	27.00	4.921	5.750/6.00
4735-42600-119	10	CW	2.90	2.10	0.93	26.00	3.000	5.250
4735-42600-120	10	CW	2.90	2.10	0.93	21.00	1.002	1.97/2.360
4735-42600-122	10	CW	2.90	2.10	0.93	20.00	5.001	6.000
4735-42621-01	9	CCW	3.60	0.54	2.96	30.00	2.562	3.500
4735-42621-02	9	CCW	3.60	0.54	2.96	30.00	2.000	3.500
4735-42621-03	9	CCW	3.60	0.54	2.96	29.00	2.000	3.500
4735-42621-04	9	CCW	3.60	0.54	2.96	29.00	2.562	3.500
4735-42621-05	9	CCW	3.60	0.54	2.96	28.00	2.562	3.500
4735-42621-06	9	CCW	3.60	0.54	2.96	32.00	1.002	1.97/2.360
4735-42621-07	9	CCW	3.60	0.54	2.96	32.00	2.000	3.500
4735-42621-08	9	CCW	3.60	0.54	2.96	32.00	2.562	3.500
4735-42621-09	9	CCW	3.60	0.54	2.96	32.00	5.001	6.000
4735-42621-10	9	CCW	3.60	0.54	2.96	31.00	1.002	1.97/2.360
4735-42621-11	9	CCW	3.60	0.54	2.96	31.00	2.000	3.500
4735-42621-12	9	CCW	3.60	0.54	2.96	31.00	2.562	3.500
4735-42621-13	9	CCW	3.60	0.54	2.96	31.00	5.001	6.000
4735-42621-14	9	CCW	3.60	0.54	2.96	30.00	1.002	1.97/2.360
4735-42621-15	9	CCW	3.60	0.54	2.96	30.00	3.250	3.810
4735-42621-16	9	CCW	3.60	0.54	2.96	30.00	5.001	6.000
4735-42621-17	9	CCW	3.60	0.54	2.96	29.00	1.002	1.97/2.360
4735-42621-18	9	CCW	3.60	0.54	2.96	29.50	2.000	3.500
4735-42621-19	9	CCW	3.60	0.54	2.96	29.00	3.250	3.810
4735-42621-20	9	CCW	3.60	0.54	2.96	29.00	5.001	6.000
4735-42621-21	9	CCW	3.60	0.54	2.96	28.00	1.002	1.97/2.360
4735-42621-22	9	CCW	3.60	0.54	2.96	28.00	2.000	3.500
4735-42621-23	9	CCW	3.60	0.54	2.96	28.00	3.250	3.810
4735-42621-24	9	CCW	3.60	0.54	2.96	28.00	5.001	6.000
4735-42621-25	9	CCW	3.60	0.54	2.96	27.00	1.002	1.97/2.360
4735-42621-26	9	CCW	3.60	0.54	2.96	27.00	2.000	3.500
4735-42621-27	9	CCW	3.60	0.54	2.96	27.00	2.562	3.500
4735-42621-28	9	CCW	3.60	0.54	2.96	27.00	3.250	3.810
4735-42621-29	9	CCW	3.60	0.54	2.96	27.00	5.001	6.000
4735-42621-30	9	CCW	3.60	0.54	2.96	26.00	1.002	1.97/2.360
4735-42621-31	9	CCW	3.60	0.54	2.96	26.00	2.000	3.500
4735-42621-32	9	CCW	3.60	0.54	2.96	26.00	2.562	3.500
4735-42621-33	9	CCW	3.60	0.54	2.96	26.00	3.250	3.810
4735-42621-34	9	CCW	3.60	0.54	2.96	26.00	5.001	6.000
4735-42621-35	9	CCW	3.60	0.54	2.96	25.00	1.002	1.97/2.360
4735-42621-36	9	CCW	3.60	0.54	2.96	25.00	2.000	3.500
4735-42621-37	9	CCW	3.60	0.54	2.96	25.00	2.562	3.500
4735-42621-38	9	CCW	3.60	0.54	2.96	25.00	3.250	3.810
4735-42621-39	9	CCW	3.60	0.54	2.96	25.00	5.001	6.000

FAN SPECS BY PART#

4735-42621-40 – 4735-42622-08

PART NUMBER	BLADES	ROT	PW	F-B	B-B	DIAMETER	PILOT	BOLT CIRCLE
4735-42621-40	9	CCW	3.60	0.54	2.96	24.00	1.002	1.97/2.360
4735-42621-41	9	CCW	3.60	0.54	2.96	24.00	2.000	3.500
4735-42621-42	9	CCW	3.60	0.54	2.96	24.00	2.562	3.500
4735-42621-43	9	CCW	3.60	0.54	2.96	24.00	3.250	3.810
4735-42621-44	9	CCW	3.60	0.54	2.96	24.00	5.001	6.000
4735-42621-45	9	CCW	3.60	0.54	2.96	23.00	1.002	1.97/2.360
4735-42621-46	9	CCW	3.60	0.54	2.96	23.00	2.000	3.500
4735-42621-47	9	CCW	3.60	0.54	2.96	23.00	2.562	3.500
4735-42621-48	9	CCW	3.60	0.54	2.96	23.00	3.250	3.810
4735-42621-49	9	CCW	3.60	0.54	2.96	23.00	5.001	6.000
4735-42621-50	9	CCW	3.60	0.54	2.96	22.00	1.002	1.97/2.360
4735-42621-51	9	CCW	3.60	0.54	2.96	22.00	2.000	3.500
4735-42621-52	9	CCW	3.60	0.54	2.96	22.00	2.562	3.500
4735-42621-53	9	CCW	3.60	0.54	2.96	22.00	3.250	3.810
4735-42621-54	9	CCW	3.60	0.54	2.96	22.00	5.001	6.000
4735-42621-55	9	CCW	3.60	0.54	2.96	29.50	1.002	1.97/2.360
4735-42621-56	9	CCW	3.60	0.54	2.96	29.50	2.562	3.500
4735-42621-57	9	CCW	3.60	0.54	2.96	29.50	3.250	3.810
4735-42621-58	9	CCW	3.60	0.54	2.96	29.50	5.001	6.000
4735-42621-59	9	CCW	3.60	0.54	2.96	28.50	1.002	1.97/2.360
4735-42621-60	9	CCW	3.60	0.54	2.96	28.50	2.000	3.500
4735-42621-61	9	CCW	3.60	0.54	2.96	28.50	2.562	3.500
4735-42621-62	9	CCW	3.60	0.54	2.96	28.50	3.250	3.810
4735-42621-63	9	CCW	3.60	0.54	2.96	28.50	5.001	6.000
4735-42621-66	9	CCW	3.60	0.54	2.96	29.50	4.921	5.750/6.00
4735-42621-67	9	CCW	3.60	0.54	2.96	32.00	2.082	3.500
4735-42621-68	9	CCW	3.60	0.54	2.96	26.50	2.000	3.500
4735-42621-69	9	CCW	3.60	0.54	2.96	22.00	4.000	4.478
4735-42621-81	9	CCW	3.60	0.54	2.96	28.00	2.053	3.50/3.875
4735-42621-82	9	CCW	3.60	0.54	2.96	22.00	4.921	5.750/6.00
4735-42621-83	9	CCW	3.60	0.54	2.96	24.00	4.921	5.750/6.00
4735-42621-84	9	CCW	3.60	0.54	2.96	30.00	2.053	3.50/3.875
4735-42621-86	9	CCW	3.60	0.54	2.96	31.50	2.000	3.500
4735-42621-87	9	CCW	3.60	0.54	2.96	32.00	2.053	3.50/3.875
4735-42621-88	9	CCW	3.60	0.54	2.96	32.00	3.687	4.625
4735-42621-90	9	CCW	3.60	0.54	2.96	27.50	5.001	6.000
4735-42621-92	9	CCW	3.60	0.54	2.96	23.60	5.001	6.000
4735-42621-93	9	CCW	3.60	0.54	2.96	27.50	4.921	5.750/6.00
4735-42621-94	9	CCW	3.60	0.54	2.96	32.00	4.921	5.750/6.00
4735-42621-96	9	CCW	3.60	0.54	2.96	28.00	4.921	5.750/6.00
4735-42621-97	9	CCW	3.60	0.54	2.96	26.71	2.000	3.500
4735-42621-98	9	CCW	3.60	0.54	2.96	23.62	4.921	5.750/6.00
4735-42621-99	9	CCW	3.60	0.54	2.96	31.50	2.562	3.500
4735-42621-100	9	CCW	3.60	0.54	2.96	31.00	2.053	3.50/3.875
4735-42621-101	9	CCW	3.60	0.54	2.96	30.00	4.921	5.750/6.00
4735-42621-102	9	CCW	3.60	0.54	2.96	21.00	3.250	3.810
4735-42621-103	9	CCW	3.60	0.54	2.96	26.75	2.562	3.500
4735-42621-104	9	CCW	3.60	0.54	2.96	25.19	4.921	5.750/6.00
4735-42621-105	9	CCW	3.60	0.54	2.96	25.67	1.002	1.97/2.360
4735-42621-106	9	CCW	3.60	0.54	2.96	26.00	2.187	3.500
4735-42621-107	9	CCW	3.60	0.54	2.96	31.53	2.053	3.875/6.00
4735-42621-108	9	CCW	3.60	0.54	2.96	22.00	1.614	2.500
4735-42621-501	9	CCW	3.60	0.54	2.96	36.00	1.002	1.97/2.360
4735-42621-502	9	CCW	3.60	0.54	2.96	36.00	2.000	3.500
4735-42621-503	9	CCW	3.60	0.54	2.96	36.00	2.053	3.50/3.875
4735-42621-504	9	CCW	3.60	0.54	2.96	36.00	2.082	3.500
4735-42621-505	9	CCW	3.60	0.54	2.96	36.00	2.562	3.500
4735-42621-506	9	CCW	3.60	0.54	2.96	36.00	3.250	3.810
4735-42621-507	9	CCW	3.60	0.54	2.96	36.00	3.687	4.625
4735-42621-509	9	CCW	3.60	0.54	2.96	36.00	4.921	5.750/6.00
4735-42621-510	9	CCW	3.60	0.54	2.96	36.00	5.001	6.000
4735-42621-511	9	CCW	3.60	0.54	2.96	34.00	2.082	3.500
4735-42621-512	9	CCW	3.60	0.54	2.96	34.00	2.562	3.500
4735-42622-01	9	CCW	3.60	1.29	2.21	30.00	2.562	3.500
4735-42622-02	9	CCW	3.60	1.29	2.21	30.00	2.000	3.500
4735-42622-03	9	CCW	3.60	1.29	2.21	29.00	2.000	3.500
4735-42622-04	9	CCW	3.60	1.29	2.21	29.00	2.562	3.500
4735-42622-05	9	CCW	3.60	1.29	2.21	28.00	2.562	3.500
4735-42622-06	9	CCW	3.60	1.29	2.21	32.00	1.002	1.970
4735-42622-07	9	CCW	3.60	1.29	2.21	32.00	2.000	3.500
4735-42622-08	9	CCW	3.60	1.29	2.21	32.00	2.562	3.500

FAN SPECS BY PART #

4735-42622-09 - 4735-42622-83

PART NUMBER	BLADES	ROT	PW	F-B	B-B	DIAMETER	PILOT	BOLT CIRCLE
4735-42622-09	9	CCW	3.60	1.29	2.21	32.00	5.001	6.000
4735-42622-10	9	CCW	3.60	1.29	2.21	31.00	1.002	1.97/2.360
4735-42622-11	9	CCW	3.60	1.29	2.21	31.00	2.000	3.500
4735-42622-12	9	CCW	3.60	1.29	2.21	31.00	2.562	3.500
4735-42622-13	9	CCW	3.60	1.29	2.21	31.00	5.001	6.000
4735-42622-14	9	CCW	3.60	1.29	2.21	30.00	1.002	1.97/2.360
4735-42622-15	9	CCW	3.60	1.29	2.21	30.00	3.250	3.810
4735-42622-16	9	CCW	3.60	1.29	2.21	30.00	5.001	6.000
4735-42622-17	9	CCW	3.60	1.29	2.21	29.00	1.002	1.97/2.360
4735-42622-18	9	CCW	3.60	1.29	2.21	29.50	2.000	3.500
4735-42622-19	9	CCW	3.60	1.29	2.21	29.00	3.250	3.810
4735-42622-20	9	CCW	3.60	1.29	2.21	29.00	5.001	6.000
4735-42622-21	9	CCW	3.60	1.29	2.21	28.00	1.002	1.97/2.360
4735-42622-22	9	CCW	3.60	1.29	2.21	28.00	2.000	3.500
4735-42622-23	9	CCW	3.60	1.29	2.21	28.00	3.250	3.810
4735-42622-24	9	CCW	3.60	1.29	2.21	28.00	5.001	6.000
4735-42622-25	9	CCW	3.60	1.29	2.21	27.00	1.002	1.97/2.360
4735-42622-26	9	CCW	3.60	1.29	2.21	27.00	2.000	3.500
4735-42622-27	9	CCW	3.60	1.29	2.21	27.00	2.562	3.500
4735-42622-28	9	CCW	3.60	1.29	2.21	27.00	3.250	3.800
4735-42622-29	9	CCW	3.60	1.29	2.21	27.00	5.001	6.000
4735-42622-30	9	CCW	3.60	1.29	2.21	26.00	1.002	1.97/2.360
4735-42622-31	9	CCW	3.60	1.29	2.21	26.00	2.000	3.500
4735-42622-32	9	CCW	3.60	1.29	2.21	26.00	2.562	3.500
4735-42622-33	9	CCW	3.60	1.29	2.21	26.00	3.250	3.800
4735-42622-34	9	CCW	3.60	1.29	2.21	26.00	5.001	6.000
4735-42622-35	9	CCW	3.60	1.29	2.21	25.00	1.002	1.97/2.360
4735-42622-36	9	CCW	3.60	1.29	2.21	25.00	2.000	3.500
4735-42622-37	9	CCW	3.60	1.29	2.21	25.00	2.562	3.500
4735-42622-38	9	CCW	3.60	1.29	2.21	25.00	3.250	3.800
4735-42622-39	9	CCW	3.60	1.29	2.21	25.00	5.001	6.000
4735-42622-40	9	CCW	3.60	1.29	2.21	24.00	1.002	1.97/2.360
4735-42622-41	9	CCW	3.60	1.29	2.21	24.00	2.000	3.500
4735-42622-42	9	CCW	3.60	1.29	2.21	24.00	2.562	3.500
4735-42622-43	9	CCW	3.60	1.29	2.21	24.00	3.250	3.800
4735-42622-44	9	CCW	3.60	1.29	2.21	24.00	5.001	6.000
4735-42622-45	9	CCW	3.60	1.29	2.21	23.00	1.002	1.97/2.360
4735-42622-46	9	CCW	3.60	1.29	2.21	23.00	2.000	3.500
4735-42622-47	9	CCW	3.60	1.29	2.21	23.00	2.562	3.500
4735-42622-48	9	CCW	3.60	1.29	2.21	23.00	3.250	3.800
4735-42622-49	9	CCW	3.60	1.29	2.21	23.00	5.001	6.000
4735-42622-50	9	CCW	3.60	1.29	2.21	22.00	1.002	1.97/2.360
4735-42622-51	9	CCW	3.60	1.29	2.21	22.00	2.000	3.500
4735-42622-52	9	CCW	3.60	1.29	2.21	22.00	2.562	3.500
4735-42622-53	9	CCW	3.60	1.29	2.21	22.00	3.250	3.800
4735-42622-54	9	CCW	3.60	1.29	2.21	22.00	5.001	6.000
4735-42622-55	9	CCW	3.60	1.29	2.21	29.50	1.002	1.97/2.360
4735-42622-56	9	CCW	3.60	1.29	2.21	29.50	2.562	3.500
4735-42622-57	9	CCW	3.60	1.29	2.21	29.50	3.250	3.800
4735-42622-58	9	CCW	3.60	1.29	2.21	29.50	5.001	6.000
4735-42622-59	9	CCW	3.60	1.29	2.21	28.50	1.002	1.97/2.360
4735-42622-60	9	CCW	3.60	1.29	2.21	28.50	2.000	3.500
4735-42622-61	9	CCW	3.60	1.29	2.21	26.00	4.921	5.750/6.00
4735-42622-62	9	CCW	3.60	1.29	2.21	28.50	3.250	3.800
4735-42622-63	9	CCW	3.60	1.29	2.21	28.50	5.001	6.000
4735-42622-64	9	CCW	3.60	1.29	2.21	28.00	4.000	4.478
4735-42622-65	9	CCW	3.60	1.29	2.21	26.75	4.000	4.478
4735-42622-66	9	CCW	3.60	1.29	2.21	29.50	4.921	5.750/6.00
4735-42622-67	9	CCW	3.60	1.29	2.21	32.00	2.082	3.500
4735-42622-68	9	CCW	3.60	1.29	2.21	26.50	2.000	3.500
4735-42622-69	9	CCW	3.60	1.29	2.21	22.00	4.000	4.478
4735-42622-70	9	CCW	3.60	1.29	2.21	23.00	4.000	4.478
4735-42622-71	9	CCW	3.60	1.29	2.21	24.00	4.000	4.478
4735-42622-72T	9	CCW	3.60	1.29	2.21	25.00	4.000	4.478
4735-42622-73	9	CCW	3.60	1.29	2.21	26.00	4.000	4.478
4735-42622-74	9	CCW	3.60	1.29	2.21	27.00	4.000	4.478
4735-42622-75	9	CCW	3.60	1.29	2.21	29.00	4.000	4.478
4735-42622-76	9	CCW	3.60	1.29	2.21	30.00	4.000	4.478
4735-42622-81	9	CCW	3.60	1.29	2.21	28.00	2.053	3.50/3.875
4735-42622-82	9	CCW	3.60	1.29	2.21	22.00	4.921	5.750/6.00
4735-42622-83	9	CCW	3.60	1.29	2.21	24.00	4.921	5.750/6.00

FAN SPECS BY PART #



4735-42622-84 – 4735-42623-30

FAN SPECS BY PART #

PART NUMBER	BLADES	ROT	PW	F-B	B-B	DIAMETER	PILOT	BOLT CIRCLE
4735-42622-84	9	CCW	3.60	1.29	2.21	30.00	2.053	3.50/3.875
4735-42622-86	9	CCW	3.60	1.29	2.21	31.50	2.000	3.500
4735-42622-87	9	CCW	3.60	1.29	2.21	32.00	2.053	3.50/3.875
4735-42622-88	9	CCW	3.60	1.29	2.21	32.00	3.687	4.625
4735-42622-89	9	CCW	3.60	1.29	2.21	28.35	4.000	4.478
4735-42622-90	9	CCW	3.60	1.29	2.21	27.50	5.001	6.000
4735-42622-92	9	CCW	3.60	1.29	2.21	23.60	5.001	6.000
4735-42622-93	9	CCW	3.60	1.29	2.21	27.50	4.921	5.750/6.00
4735-42622-94	9	CCW	3.60	1.29	2.21	32.00	4.921	5.750/6.00
4735-42622-96	9	CCW	3.60	1.29	2.21	28.00	4.921	5.750/6.00
4735-42622-97	9	CCW	3.60	1.29	2.21	26.77	2.000	3.500
4735-42622-98	9	CCW	3.60	1.29	2.21	23.62	4.921	5.750/6.00
4735-42622-99	9	CCW	3.60	1.29	2.21	31.50	2.562	3.500
4735-42622-100	9	CCW	3.60	1.29	2.21	31.00	2.053	3.50/3.875
4735-42622-102	9	CCW	3.60	1.29	2.21	21.00	3.250	3.800
4735-42622-103	9	CCW	3.60	1.29	2.21	26.75	2.562	3.500
4735-42622-104	9	CCW	3.60	1.29	2.21	25.19	4.921	5.750/6.00
4735-42622-105	9	CCW	3.60	1.29	2.21	25.67	1.002	1.97/2.360
4735-42622-106	9	CCW	3.60	1.29	2.21	26.00	2.187	3.500
4735-42622-107	9	CCW	3.60	1.29	2.21	31.53	2.053	3.875/6.00
4735-42622-108	9	CCW	3.60	1.29	2.21	27.60	4.921	5.750/6.00
4735-42622-110	9	CCW	3.60	1.29	2.21	28.00	2.187	3.000
4735-42622-111	9	CCW	3.60	1.29	2.21	30.00	3.750	4.625
4735-42622-112	9	CCW	3.60	1.29	2.21	30.00	1.889	2.840
4735-42622-113	9	CCW	3.60	1.29	2.21	34.00	3.687	4.625
4735-42622-114	9	CCW	3.60	1.29	2.21	28.34	2.562	3.500
4735-42622-115	9	CCW	3.60	1.29	2.21	26.50	1.002	1.97/2.360
4735-42622-118	9	CCW	3.60	1.29	2.21	27.56	2.000	3.500
4735-42622-119	9	CCW	3.60	1.29	2.21	28.00	3.743	4.700
4735-42622-120	9	CCW	3.60	1.29	2.21	28.00	1.500	2.600
4735-42622-501	9	CCW	3.60	1.29	2.21	36.00	1.002	1.97/2.360
4735-42622-502	9	CCW	3.60	1.29	2.21	36.00	2.000	3.500
4735-42622-503	9	CCW	3.60	1.29	2.21	36.00	2.053	3.50/3.875
4735-42622-504	9	CCW	3.60	1.29	2.21	36.00	2.082	3.500
4735-42622-505	9	CCW	3.60	1.29	2.21	36.00	2.562	3.500
4735-42622-506	9	CCW	3.60	1.29	2.21	36.00	3.250	3.810
4735-42622-507	9	CCW	3.60	1.29	2.21	36.00	3.687	4.625
4735-42622-509	9	CCW	3.60	1.29	2.21	36.00	4.921	5.750/6.00
4735-42622-510	9	CCW	3.60	1.29	2.21	36.00	5.001	6.000
4735-42622-511	9	CCW	3.60	1.29	2.21	34.00	2.000	3.500
4735-42622-512	9	CCW	3.60	1.29	2.21	34.00	2.560	3.500
4735-42623-01	9	CCW	3.60	2.04	1.46	30.00	2.562	3.500
4735-42623-02	9	CCW	3.60	2.04	1.46	30.00	2.000	3.500
4735-42623-03	9	CCW	3.60	2.04	1.46	29.00	2.000	3.500
4735-42623-04	9	CCW	3.60	2.04	1.46	29.00	2.562	3.500
4735-42623-05	9	CCW	3.60	2.04	1.46	28.00	2.562	3.500
4735-42623-06	9	CCW	3.60	2.04	1.46	32.00	1.002	1.97/2.360
4735-42623-07	9	CCW	3.60	2.04	1.46	32.00	2.000	3.500
4735-42623-08	9	CCW	3.60	2.04	1.46	32.00	2.562	3.500
4735-42623-09	9	CCW	3.60	2.04	1.46	32.00	5.001	6.000
4735-42623-10	9	CCW	3.60	2.04	1.46	31.00	1.002	1.97/2.360
4735-42623-11	9	CCW	3.60	2.04	1.46	31.00	2.000	3.500
4735-42623-12	9	CCW	3.60	2.04	1.46	31.00	2.562	3.500
4735-42623-13	9	CCW	3.60	2.04	1.46	31.00	5.001	6.000
4735-42623-14	9	CCW	3.60	2.04	1.46	30.00	1.002	1.97/2.360
4735-42623-15	9	CCW	3.60	2.04	1.46	30.00	3.250	3.810
4735-42623-16	9	CCW	3.60	2.04	1.46	30.00	5.001	6.000
4735-42623-17	9	CCW	3.60	2.04	1.46	29.00	1.002	1.97/2.360
4735-42623-18	9	CCW	3.60	2.04	1.46	29.50	2.000	3.500
4735-42623-19	9	CCW	3.60	2.04	1.46	29.00	3.250	3.810
4735-42623-20	9	CCW	3.60	2.04	1.46	29.00	5.001	6.000
4735-42623-21	9	CCW	3.60	2.04	1.46	28.00	1.002	1.97/2.360
4735-42623-22	9	CCW	3.60	2.04	1.46	28.00	2.000	3.500
4735-42623-23	9	CCW	3.60	2.04	1.46	28.00	3.250	3.810
4735-42623-24	9	CCW	3.60	2.04	1.46	28.00	5.001	6.000
4735-42623-25	9	CCW	3.60	2.04	1.46	27.00	1.002	1.97/2.360
4735-42623-26	9	CCW	3.60	2.04	1.46	27.00	2.000	3.500
4735-42623-27	9	CCW	3.60	2.04	1.46	27.00	2.562	3.500
4735-42623-28	9	CCW	3.60	2.04	1.46	27.00	3.250	3.810
4735-42623-29	9	CCW	3.60	2.04	1.46	27.00	5.001	6.000
4735-42623-30	9	CCW	3.60	2.04	1.46	26.00	1.002	1.97/2.360

4735-42623-31 – 4735-42623-107

PART NUMBER	BLADES	ROT	PW	F-B	B-B	DIAMETER	PILOT	BOLT CIRCLE
4735-42623-31	9	CCW	3.60	2.04	1.46	26.00	2.000	3.500
4735-42623-32	9	CCW	3.60	2.04	1.46	26.00	2.562	3.500
4735-42623-33	9	CCW	3.60	2.04	1.46	26.00	3.250	3.810
4735-42623-34	9	CCW	3.60	2.04	1.46	26.00	5.001	6.000
4735-42623-35	9	CCW	3.60	2.04	1.46	25.00	1.002	1.97/2.360
4735-42623-36	9	CCW	3.60	2.04	1.46	25.00	2.000	3.500
4735-42623-37	9	CCW	3.60	2.04	1.46	25.00	2.562	3.500
4735-42623-38	9	CCW	3.60	2.04	1.46	25.00	3.250	3.810
4735-42623-39	9	CCW	3.60	2.04	1.46	25.00	5.001	6.000
4735-42623-40	9	CCW	3.60	2.04	1.46	24.00	1.002	1.97/2.360
4735-42623-41	9	CCW	3.60	2.04	1.46	24.00	2.000	3.500
4735-42623-42	9	CCW	3.60	2.04	1.46	24.00	2.562	3.500
4735-42623-43	9	CCW	3.60	2.04	1.46	24.00	3.250	3.810
4735-42623-44	9	CCW	3.60	2.04	1.46	24.00	5.001	6.000
4735-42623-45	9	CCW	3.60	2.04	1.46	23.00	1.002	1.97/2.360
4735-42623-46	9	CCW	3.60	2.04	1.46	23.00	2.000	3.500
4735-42623-47	9	CCW	3.60	2.04	1.46	23.00	2.562	3.500
4735-42623-48	9	CCW	3.60	2.04	1.46	23.00	3.250	3.810
4735-42623-49	9	CCW	3.60	2.04	1.46	23.00	5.001	6.000
4735-42623-50	9	CCW	3.60	2.04	1.46	22.00	1.002	1.97/2.360
4735-42623-51	9	CCW	3.60	2.04	1.46	22.00	2.000	3.500
4735-42623-52	9	CCW	3.60	2.04	1.46	22.00	2.562	3.500
4735-42623-53	9	CCW	3.60	2.04	1.46	22.00	3.250	3.810
4735-42623-54	9	CCW	3.60	2.04	1.46	22.00	5.001	6.000
4735-42623-55	9	CCW	3.60	2.04	1.46	29.50	1.002	1.97/2.360
4735-42623-56	9	CCW	3.60	2.04	1.46	29.50	2.562	3.500
4735-42623-57	9	CCW	3.60	2.04	1.46	29.50	3.250	3.810
4735-42623-58	9	CCW	3.60	2.04	1.46	29.50	5.001	6.000
4735-42623-59	9	CCW	3.60	2.04	1.46	28.50	1.002	1.97/2.360
4735-42623-60	9	CCW	3.60	2.04	1.46	28.50	2.000	3.500
4735-42623-61	9	CCW	3.60	2.04	1.46	28.50	2.562	3.500
4735-42623-62	9	CCW	3.60	2.04	1.46	28.50	3.250	3.810
4735-42623-63	9	CCW	3.60	2.04	1.46	28.50	5.001	6.010
4735-42623-64	9	CCW	3.60	2.04	1.46	28.00	4.000	4.478
4735-42623-65	9	CCW	3.60	2.04	1.46	26.75	4.000	4.478
4735-42623-66	9	CCW	3.60	2.04	1.46	29.50	4.921	5.750/6.00
4735-42623-67	9	CCW	3.60	2.04	1.46	32.00	2.082	3.500
4735-42623-68	9	CCW	3.60	2.04	1.46	26.50	2.000	3.500
4735-42623-69	9	CCW	3.60	2.04	1.46	22.00	4.000	4.478
4735-42623-70	9	CCW	3.60	2.04	1.46	23.00	4.000	4.478
4735-42623-71	9	CCW	3.60	2.04	1.46	24.00	4.000	4.478
4735-42623-72	9	CCW	3.60	2.04	1.46	25.00	4.000	4.478
4735-42623-73	9	CCW	3.60	2.04	1.46	26.00	4.000	4.478
4735-42623-74	9	CCW	3.60	2.04	1.46	27.00	4.000	4.478
4735-42623-75	9	CCW	3.60	2.04	1.46	29.00	4.000	4.478
4735-42623-76	9	CCW	3.60	2.04	1.46	30.00	4.000	4.478
4735-42623-81	9	CCW	3.60	2.04	1.46	28.00	2.053	3.50/3.875
4735-42623-82	9	CCW	3.60	2.04	1.46	22.00	4.921	5.750/6.00
4735-42623-83	9	CCW	3.60	2.04	1.46	24.00	4.921	5.750/6.00
4735-42623-84	9	CCW	3.60	2.04	1.46	30.00	2.053	3.50/3.875
4735-42623-85	9	CCW	3.60	2.04	1.46	32.00	2.187	3.000
4735-42623-86	9	CCW	3.60	2.04	1.46	31.50	2.000	3.500
4735-42623-87	9	CCW	3.60	2.04	1.46	32.00	2.053	3.50/3.875
4735-42623-88	9	CCW	3.60	2.04	1.46	32.00	3.687	4.625
4735-42623-89	9	CCW	3.60	2.04	1.46	28.35	4.000	4.478
4735-42623-90	9	CCW	3.60	2.04	1.46	27.50	5.001	6.000
4735-42623-92	9	CCW	3.60	2.04	1.46	23.60	5.001	6.000
4735-42623-93	9	CCW	3.60	2.04	1.46	27.50	4.921	5.750/6.00
4735-42623-94	9	CCW	3.60	2.04	1.46	32.00	4.921	5.750/6.00
4735-42623-96	9	CCW	3.60	2.04	1.46	28.00	4.921	5.750/6.00
4735-42623-97	9	CCW	3.60	2.04	1.46	26.71	2.000	3.500
4735-42623-98	9	CCW	3.60	2.04	1.46	23.62	4.921	5.750/6.00
4735-42623-99	9	CCW	3.60	2.04	1.46	31.50	2.562	3.500
4735-42623-100	9	CCW	3.60	2.04	1.46	31.00	2.053	3.50/3.875
4735-42623-101	9	CCW	3.60	2.04	1.46	30.00	4.921	5.750/6.00
4735-42623-102	9	CCW	3.60	2.04	1.46	21.00	3.250	3.810
4735-42623-103	9	CCW	3.60	2.04	1.46	26.75	2.562	3.500
4735-42623-104	9	CCW	3.60	2.04	1.46	25.19	4.921	5.750/6.00
4735-42623-105	9	CCW	3.60	2.04	1.46	25.67	1.002	1.97/2.360
4735-42623-106	9	CCW	3.60	2.04	1.46	26.00	2.187	3.500
4735-42623-107	9	CCW	3.60	2.04	1.46	31.53	2.053	3.50/3.875

FAN SPECS BY PART #

4735-42623-108 – 4735-42904-106

PART NUMBER	BLADES	ROT	PW	F-B	B-B	DIAMETER	PILOT	BOLT CIRCLE
4735-42623-108	9	CCW	3.60	2.04	1.46	22.00	1.614	2.500
4735-42623-501	9	CCW	3.60	2.04	1.46	36.00	1.002	1.97/2.360
4735-42623-502	9	CCW	3.60	2.04	1.46	36.00	2.000	3.500
4735-42623-503	9	CCW	3.60	2.04	1.46	36.00	2.053	3.50/3.875
4735-42623-504	9	CCW	3.60	2.04	1.46	36.00	2.082	3.500
4735-42623-505	9	CCW	3.60	2.04	1.46	36.00	2.562	3.500
4735-42623-506	9	CCW	3.60	2.04	1.46	36.00	3.250	3.810
4735-42623-507	9	CCW	3.60	2.04	1.46	36.00	3.687	4.625
4735-42623-509	9	CCW	3.60	2.04	1.46	36.00	4.921	5.750/6.00
4735-42623-510	9	CCW	3.60	2.04	1.46	36.00	5.001	6.000
4735-42623-511	9	CCW	3.60	2.04	1.46	34.00	2.000	3.500
4735-42623-512	9	CCW	3.60	2.04	1.46	34.00	2.562	3.500
4735-42890-01	8	CW	3.25	0.98	1.72	38.00	3.687	4.625
4735-42890-02	8	CW	3.25	0.98	1.72	34.00	3.687	4.625
4735-42890-11	8	CW	3.25	0.98	1.72	38.00	2.000	3.500
4735-42890-12	8	CW	3.25	0.98	1.72	38.00	2.562	3.500
4735-42890-15	8	CW	3.25	0.98	1.72	38.00	5.001	6.000
4735-42890-21	8	CW	3.25	0.98	1.72	36.00	2.000	3.500
4735-42890-22	8	CW	3.25	0.98	1.72	36.00	2.562	3.500
4735-42890-25	8	CW	3.25	0.98	1.72	36.00	5.001	6.000
4735-42890-31	8	CW	3.25	0.98	1.72	34.00	2.000	3.500
4735-42890-32	8	CW	3.25	0.98	1.72	34.00	2.562	3.500
4735-42890-35	8	CW	3.25	0.98	1.72	34.00	5.001	6.000
4735-42890-41	8	CW	3.25	0.98	1.72	32.00	2.000	3.500
4735-42890-42	8	CW	3.25	0.98	1.72	32.00	2.562	3.500
4735-42890-45	8	CW	3.25	0.98	1.72	32.00	5.001	6.000
4735-42890-46	8	CW	3.25	0.98	1.72	36.00	5.122	6.500
4735-42904-02	8	CW	3.00	0.98	2.01	32.00	2.000	3.50/3.875
4735-42904-04	8	CW	3.00	0.98	2.01	30.00	2.000	3.50/3.875
4735-42904-06	8	CW	3.00	0.98	2.01	28.00	2.000	3.50/3.875
4735-42904-07	8	CW	3.00	0.98	2.01	32.00	2.562	3.500
4735-42904-08	8	CW	3.00	0.98	2.01	30.00	2.562	3.500
4735-42904-09	8	CW	3.00	0.98	2.01	28.00	2.562	3.500
4735-42904-10	8	CW	3.00	0.98	2.01	32.00	5.001	6.000
4735-42904-12	8	CW	3.00	0.98	2.01	32.00	2.053	3.50/3.875
4735-42904-13	8	CW	3.00	0.98	2.01	30.00	2.053	3.50/3.875
4735-42904-14	8	CW	3.00	0.98	2.01	28.00	2.053	3.50/3.875
4735-42904-15	8	CW	3.00	0.98	2.01	26.00	5.001	6.000
4735-42904-18	8	CW	3.00	0.98	2.01	26.00	2.562	3.500
4735-42904-19	8	CW	3.00	0.98	2.01	30.00	5.001	6.000
4735-42904-21	8	CW	3.00	0.98	2.01	30.00	3.687	4.625
4735-42904-22	8	CW	3.00	0.98	2.01	24.00	2.562	3.500
4735-42904-24	8	CW	3.00	0.98	2.01	26.00	2.000	3.50/3.875
4735-42904-25	8	CW	3.00	0.98	2.01	25.00	2.562	3.500
4735-42904-27	8	CW	3.00	0.98	2.01	27.25	2.562	3.500
4735-42904-28	8	CW	3.00	0.98	2.01	28.00	5.001	6.000
4735-42904-29	8	CW	3.00	0.98	2.01	26.00	2.053	3.50/3.875
4735-42904-31	8	CW	3.00	0.98	2.01	24.00	5.001	6.000
4735-42904-32	8	CW	3.00	0.98	2.01	32.00	3.687	4.625
4735-42904-33	8	CW	3.00	0.98	2.01	24.00	2.000	3.50/3.875
4735-42904-36	8	CW	3.00	0.98	2.01	23.00	2.562	3.500
4735-42904-40	8	CW	3.00	0.98	2.01	24.00	1.002	1.97/2.360
4735-42904-41	8	CW	3.00	0.98	2.01	26.00	1.002	1.97/2.360
4735-42904-42	8	CW	3.00	0.98	2.01	28.00	1.002	1.97/2.360
4735-42904-43	8	CW	3.00	0.98	2.01	30.00	1.002	1.97/2.360
4735-42904-70	8	CW	3.00	0.98	2.01	29.00	2.562	3.500
4735-42904-71	8	CW	3.00	0.98	2.01	30.00	2.562	3.500
4735-42904-75	8	CW	3.00	0.98	2.01	25.00	2.053	3.50/3.875
4735-42904-76	8	CW	3.00	0.98	2.01	27.16	4.921	5.750/6.00
4735-42904-77	8	CW	3.00	0.98	2.01	25.00	2.000	3.50/3.875
4735-42904-91	8	CW	3.00	0.98	2.01	27.16	4.921	5.750/6.00
4735-42904-95	8	CW	3.00	0.98	2.01	28.50	2.053	3.50/3.875
4735-42904-98	8	CW	3.00	0.98	2.01	22.00	5.001	6.000
4735-42904-99	8	CW	3.00	0.98	2.01	23.50	5.001	6.000
4735-42904-100	8	CW	3.00	0.98	2.01	30.00	3.003	4.250
4735-42904-101	8	CW	3.00	0.98	2.01	31.00	2.000	3.500
4735-42904-102	8	CW	3.00	0.98	2.01	29.00	5.001	2.000
4735-42904-103	8	CW	3.00	0.98	2.01	32.00	2.000	3.500
4735-42904-104	8	CW	3.00	0.98	2.01	30.00	2.000	3.500
4735-42904-105	8	CW	3.00	0.98	2.01	27.95	4.921	5.750/6.00
4735-42904-106	8	CW	3.00	0.98	2.01	29.53	2.560	3.500

FAN SPECS BY PART #

4735-42957-01 – 4735-43217-65

PART NUMBER	BLADES	ROT	PW	F-B	B-B	DIAMETER	PILOT	BOLT CIRCLE
4735-42957-01	9	CW	2.99	—	—	28.50	2.562	3.500
4735-43179-31	10	CW	—	—	—	26.00	5.001	6.000
4735-43179-51	10	CW	—	—	—	22.00	5.001	6.000
4735-43179-74	10	CW	—	—	—	23.00	5.001	6.000
4735-43179-79	10	CW	—	—	—	24.50	5.001	6.000
4735-43217-01	9	CW	3.30-3.15	1.27	—	26.00	2.562	3.500
4735-43217-02	9	CW	3.30-3.15	1.27	—	26.00	2.000	3.500
4735-43217-03	9	CW	3.30-3.15	1.27	—	26.00	5.001	6.000
4735-43217-04	9	CW	3.30-3.15	1.27	—	26.00	1.002	1.97/2.360
4735-43217-05	9	CW	3.30-3.15	1.27	—	26.00	1.002	NO
4735-43217-06	9	CW	3.30-3.15	1.27	—	26.00	3.687	4.625
4735-43217-07	9	CW	3.30-3.15	1.27	—	26.00	4.921	5.750/6.00
4735-43217-08	9	CW	3.30-3.15	1.27	—	22.00	5.001	6.000
4735-43217-09	9	CW	3.30-3.15	1.27	—	23.00	5.001	6.000
4735-43217-10	9	CW	3.30-3.15	1.27	—	20.00	3.250	3.810
4735-43217-11	9	CW	3.30-3.15	1.27	—	25.00	1.002	1.97/2.360
4735-43217-12	9	CW	3.30-3.15	1.27	—	24.00	1.002	1.97/2.360
4735-43217-13	9	CW	3.30-3.15	1.27	—	23.00	1.002	1.97/2.360
4735-43217-14	9	CW	3.30-3.15	1.27	—	22.00	1.002	1.97/2.360
4735-43217-15	9	CW	3.30-3.15	1.27	—	22.00	1.614	2.500
4735-43217-16	9	CW	3.30-3.15	1.27	—	24.00	3.250	3.810
4735-43217-17	9	CW	3.30-3.15	1.27	—	26.00	3.250	3.810
4735-43217-18	9	CW	3.30-3.15	1.27	—	26.00	1.614	2.500
4735-43217-19	9	CW	3.30-3.15	1.27	—	25.00	2.562	3.500
4735-43217-20	9	CW	3.30-3.15	1.27	—	25.00	2.000	3.500
4735-43217-21	9	CW	3.30-3.15	1.27	—	25.00	3.687	4.625
4735-43217-22	9	CW	3.30-3.15	1.27	—	25.00	5.001	6.000
4735-43217-23	9	CW	3.30-3.15	1.27	—	25.00	4.921	5.750/6.00
4735-43217-24	9	CW	3.30-3.15	1.27	—	25.00	3.250	3.810
4735-43217-25	9	CW	3.30-3.15	1.27	—	25.00	1.614	2.500
4735-43217-26	9	CW	3.30-3.15	1.27	—	24.00	2.562	3.500
4735-43217-27	9	CW	3.30-3.15	1.27	—	24.00	2.000	3.500
4735-43217-28	9	CW	3.30-3.15	1.27	—	24.00	3.687	4.625
4735-43217-29	9	CW	3.30-3.15	1.27	—	24.00	5.001	6.000
4735-43217-30	9	CW	3.30-3.15	1.27	—	24.00	4.921	5.750/6.00
4735-43217-31	9	CW	3.30-3.15	1.27	—	24.00	1.614	2.500
4735-43217-32	9	CW	3.30-3.15	1.27	—	23.00	2.562	3.500
4735-43217-33	9	CW	3.30-3.15	1.27	—	23.00	2.000	3.500
4735-43217-34	9	CW	3.30-3.15	1.27	—	23.00	3.687	4.625
4735-43217-35	9	CW	3.30-3.15	1.27	—	23.00	4.921	5.750/6.00
4735-43217-36	9	CW	3.30-3.15	1.27	—	23.00	3.250	3.810
4735-43217-37	9	CW	3.30-3.15	1.27	—	23.00	1.614	2.500
4735-43217-38	9	CW	3.30-3.15	1.27	—	22.00	2.562	3.500
4735-43217-39	9	CW	3.30-3.15	1.27	—	22.00	2.000	3.500
4735-43217-40	9	CW	3.30-3.15	1.27	—	22.00	3.687	4.625
4735-43217-41	9	CW	3.30-3.15	1.27	—	22.00	4.921	5.750/6.00
4735-43217-42	9	CW	3.30-3.15	1.27	—	22.00	3.250	3.810
4735-43217-43	9	CW	3.30-3.15	1.27	—	21.00	2.562	3.500
4735-43217-44	9	CW	3.30-3.15	1.27	—	21.00	2.000	3.500
4735-43217-45	9	CW	3.30-3.15	1.27	—	21.00	3.687	4.625
4735-43217-46	9	CW	3.30-3.15	1.27	—	21.00	5.001	6.000
4735-43217-47	9	CW	3.30-3.15	1.27	—	21.00	1.002	1.97/2.360
4735-43217-48	9	CW	3.30-3.15	1.27	—	21.00	4.921	5.750/6.00
4735-43217-49	9	CW	3.30-3.15	1.27	—	21.00	3.250	3.810
4735-43217-50	9	CW	3.30-3.15	1.27	—	21.00	1.614	2.500
4735-43217-51	9	CW	3.30-3.15	1.27	—	20.00	2.562	3.500
4735-43217-52	9	CW	3.30-3.15	1.27	—	20.00	2.000	3.500
4735-43217-53	9	CW	3.30-3.15	1.27	—	20.00	3.687	4.625
4735-43217-54	9	CW	3.30-3.15	1.27	—	20.00	5.001	6.000
4735-43217-55	9	CW	3.30-3.15	1.27	—	20.00	1.002	1.97/2.360
4735-43217-56	9	CW	3.30-3.15	1.27	—	20.00	4.921	5.750/6.00
4735-43217-57	9	CW	3.30-3.15	1.27	—	20.00	1.614	2.500
4735-43217-58	9	CW	3.30-3.15	1.27	—	21.72	1.002	1.97/2.360
4735-43217-59	9	CW	3.30-3.15	1.27	—	22.00	2.562	3.50 dia(4@.406 & 4@.703)
4735-43217-60	9	CW	3.30-3.15	1.27	—	24.00	1.500	Double
4735-43217-61	9	CW	3.30-3.15	1.27	—	23.62	1.614	2.500
4735-43217-62	9	CW	3.30-3.15	1.27	—	24.60	1.693	2.440
4735-43217-63	9	CW	3.30-3.15	1.27	—	24.50	1.002	1.97/2.360
4735-43217-64	9	CW	3.30-3.15	1.27	—	24.60	1.262	2.360
4735-43217-65	9	CW	3.30-3.15	1.27	—	24.60	1.889	2.840

FAN SPECS BY PART #

4735-43217-67 – 4735-43368-48

PART NUMBER	BLADES	ROT	PW	F-B	B-B	DIAMETER	PILOT	BOLT CIRCLE
4735-43217-67	9	CW	3.30-3.15	1.27	—	21.71	5.001	6.000
4735-43329-01	9	CW	2.85	0.51	—	28.50	2.562	3.500
4735-43329-03	9	CW	2.85	0.51	—	28.50	5.001	6.000
4735-43329-08	9	CW	2.85	0.51	—	26.00	2.562	3.500
4735-43329-09	9	CW	2.85	0.51	—	24.00	2.562	3.500
4735-43329-10	9	CW	2.85	0.51	—	25.00	2.562	3.500
4735-43330-01	9	CW	2.85	1.26	—	28.50	2.562	3.500
4735-43330-02	9	CW	2.85	1.26	—	28.50	2.000	3.500
4735-43330-08	9	CW	2.85	1.26	—	26.00	2.562	3.500
4735-43330-09	9	CW	2.85	1.26	—	24.00	2.562	3.500
4735-43330-10	9	CW	2.85	1.26	—	25.00	2.562	3.500
4735-43330-11	9	CW	2.85	1.26	1.72	28.50	4.000	4.478
4735-43330-12	9	CW	2.85	1.26	1.72	26.00	—	—
4735-43331-01	9	CW	2.85	2.01	—	28.50	2.562	3.500
4735-43331-03	9	CW	2.85	2.01	—	28.50	5.001	6.000
4735-43331-07	9	CW	2.85	2.01	—	26.00	5.001	6.000
4735-43331-08	9	CW	2.85	2.01	—	26.00	2.562	3.500
4735-43331-09	9	CW	2.85	2.01	—	24.00	2.562	3.500
4735-43331-11	9	CW	2.85	2.01	—	28.50	4.000	4.478
4735-43340-34	9	—	3.6	1.45	—	26.00	5.001	6.000
4735-43340-42	9	CW	3.60	1.45	—	24.00	2.562	3.500
4735-43340-44	9	CW	3.60	1.45	—	24.00	5.001	6.000
4735-43340-111	9	CW	3.60	1.45	—	24.50	5.001	6.000
4735-43368-01	9	CCW	3.31	1.32	1.83	26.00	2.562	3.500
4735-43368-02	9	CCW	3.31	1.32	1.83	26.00	2.000	3.500
4735-43368-03	9	CCW	3.31	1.32	1.83	26.00	5.001	6.000
4735-43368-04	9	CCW	3.31	1.32	1.83	26.00	1.002	1.97/2.360
4735-43368-05	9	CCW	3.31	1.32	1.83	26.00	1.002	None
4735-43368-06	9	CCW	3.31	1.32	1.83	26.00	3.687	4.625
4735-43368-07	9	CCW	3.31	1.32	1.83	26.00	4.921	5.750/6.00
4735-43368-08	9	CCW	3.31	1.32	1.83	22.00	5.001	6.000
4735-43368-09	9	CCW	3.31	1.32	1.83	23.00	5.001	6.000
4735-43368-10	9	CCW	3.31	1.32	1.83	20.00	3.250	3.810
4735-43368-11	9	CCW	3.31	1.32	1.83	25.00	1.002	1.97/2.360
4735-43368-12	9	CCW	3.31	1.32	1.83	24.00	1.002	1.97/2.360
4735-43368-13	9	CCW	3.31	1.32	1.83	23.00	1.002	1.97/2.360
4735-43368-14	9	CCW	3.31	1.32	1.83	22.00	1.002	1.97/2.360
4735-43368-15	9	CCW	3.31	1.32	1.83	22.00	1.614	2.500
4735-43368-16	9	CCW	3.31	1.32	1.83	24.00	3.250	3.810
4735-43368-17	9	CCW	3.31	1.32	1.83	26.00	3.250	3.810
4735-43368-18	9	CCW	3.31	1.32	1.83	26.00	1.614	2.500
4735-43368-19	9	CCW	3.31	1.32	1.83	25.00	2.562	3.500
4735-43368-20	9	CCW	3.31	1.32	1.83	25.00	2.000	3.500
4735-43368-21	9	CCW	3.31	1.32	1.83	25.00	3.687	4.625
4735-43368-22	9	CCW	3.31	1.32	1.83	25.00	5.001	6.000
4735-43368-23	9	CCW	3.31	1.32	1.83	25.00	4.921	5.750/6.00
4735-43368-24	9	CCW	3.31	1.32	1.83	25.00	3.250	3.810
4735-43368-25	9	CCW	3.31	1.32	1.83	25.00	1.614	2.500
4735-43368-26	9	CCW	3.31	1.32	1.83	24.00	2.562	3.500
4735-43368-27	9	CCW	3.31	1.32	1.83	24.00	2.000	3.500
4735-43368-28	9	CCW	3.31	1.32	1.83	24.00	3.687	4.625
4735-43368-29	9	CCW	3.31	1.32	1.83	24.00	5.001	6.000
4735-43368-30	9	CCW	3.31	1.32	1.83	24.00	4.921	5.750/6.00
4735-43368-31	9	CCW	3.31	1.32	1.83	24.00	1.614	2.500
4735-43368-32	9	CCW	3.31	1.32	1.83	23.00	2.562	3.500
4735-43368-33	9	CCW	3.31	1.32	1.83	23.00	2.000	3.500
4735-43368-34	9	CCW	3.31	1.32	1.83	23.00	3.687	4.625
4735-43368-35	9	CCW	3.31	1.32	1.83	23.00	4.921	5.750/6.00
4735-43368-36	9	CCW	3.31	1.32	1.83	23.00	3.250	3.810
4735-43368-37	9	CCW	3.31	1.32	1.83	23.00	1.614	2.500
4735-43368-38	9	CCW	3.31	1.32	1.83	22.00	2.562	3.500
4735-43368-39	9	CCW	3.31	1.32	1.83	22.00	2.000	3.500
4735-43368-40	9	CCW	3.31	1.32	1.83	22.00	3.687	4.625
4735-43368-41	9	CCW	3.31	1.32	1.83	22.00	4.921	5.750/6.00
4735-43368-42	9	CCW	3.31	1.32	1.83	22.00	3.250	3.810
4735-43368-43	9	CCW	3.31	1.32	1.83	21.00	2.562	3.500
4735-43368-44	9	CCW	3.31	1.32	1.83	21.00	2.000	3.500
4735-43368-45	9	CCW	3.31	1.32	1.83	21.00	3.687	4.625
4735-43368-46	9	CCW	3.31	1.32	1.83	21.00	5.001	6.000
4735-43368-47	9	CCW	3.31	1.32	1.83	21.00	1.002	1.97/2.360
4735-43368-48	9	CCW	3.31	1.32	1.83	21.00	4.921	5.750/6.00

FAN SPECS BY PART #

4735-43368-49 – 4735-43400-55

PART NUMBER	BLADES	ROT	PW	F-B	B-B	DIAMETER	PILOT	BOLT CIRCLE
4735-43368-49	9	CCW	3.31	1.32	1.83	21.00	3.250	3.810
4735-43368-50	9	CCW	3.31	1.32	1.83	21.00	1.614	2.500
4735-43368-51	9	CCW	3.31	1.32	1.83	20.00	2.562	3.500
4735-43368-52	9	CCW	3.31	1.32	1.83	20.00	2.000	3.500
4735-43368-53	9	CCW	3.31	1.32	1.83	20.00	3.687	4.625
4735-43368-54	9	CCW	3.31	1.32	1.83	20.00	5.001	6.000
4735-43368-55	9	CCW	3.31	1.32	1.83	20.00	1.002	1.97/2.360
4735-43368-56	9	CCW	3.31	1.32	1.83	20.00	4.921	5.750/6.00
4735-43368-57	9	CCW	3.31	1.32	1.83	20.00	1.614	2.500
4735-43368-58	9	CCW	3.31	1.32	1.83	23.00	1.500	Double
4735-43368-59	9	CCW	3.31	1.32	1.83	23.62	5.000	6.000
4735-43368-60	9	CCW	3.31	1.32	1.83	23.30	1.500	2.50/2.875
4735-43368-62	9	CCW	3.31	1.32	1.83	25.00	1.500	2.50/2.875
4735-43368-63	9	CCW	3.31	1.32	1.83	25.59	5.001	6.000
4735-43368-64	9	CCW	3.31	1.32	1.83	26.00	1.500	2.50/2.875
4735-43368-67	9	CCW	3.31	1.32	1.83	19.00	1.500	2.50/2.875
4735-43400-01	9	CW	3.01	1.18	1.70	26.00	2.562	3.500
4735-43400-02	9	CW	3.01	1.18	1.70	26.00	2.000	3.500
4735-43400-03	9	CW	3.01	1.18	1.70	26.00	5.001	6.000
4735-43400-04	9	CW	3.01	1.18	1.70	26.00	1.002	1.97/2.360
4735-43400-05	9	CW	3.01	1.18	1.70	26.00	1.002	None
4735-43400-06	9	CW	3.01	1.18	1.70	26.00	3.687	4.625
4735-43400-07	9	CW	3.01	1.18	1.70	26.00	4.921	5.750/6.00
4735-43400-08	9	CW	3.01	1.18	1.70	22.00	5.001	6.000
4735-43400-09	9	CW	3.01	1.18	1.70	23.00	5.001	6.000
4735-43400-10	9	CW	3.01	1.18	1.70	20.00	3.250	3.810
4735-43400-11	9	CW	3.01	1.18	1.70	25.00	1.002	1.97/2.360
4735-43400-12	9	CW	3.01	1.18	1.70	24.00	1.002	1.97/2.360
4735-43400-13	9	CW	3.01	1.18	1.70	23.00	1.002	1.97/2.360
4735-43400-14	9	CW	3.01	1.18	1.70	22.00	1.002	1.97/2.360
4735-43400-15	9	CW	3.01	1.18	1.70	22.00	1.614	2.500
4735-43400-16	9	CW	3.01	1.18	1.70	24.00	3.250	3.810
4735-43400-17	9	CW	3.01	1.18	1.70	26.00	3.250	3.810
4735-43400-18	9	CW	3.01	1.18	1.70	26.00	1.614	2.500
4735-43400-19	9	CW	3.01	1.18	1.70	25.00	2.562	3.500
4735-43400-20	9	CW	3.01	1.18	1.70	25.00	2.000	3.500
4735-43400-21	9	CW	3.01	1.18	1.70	25.00	3.687	4.625
4735-43400-22	9	CW	3.01	1.18	1.70	25.00	5.001	6.000
4735-43400-23	9	CW	3.01	1.18	1.70	25.00	4.921	5.750/6.00
4735-43400-24	9	CW	3.01	1.18	1.70	25.00	3.250	3.810
4735-43400-25	9	CW	3.01	1.18	1.70	25.00	1.614	2.500
4735-43400-26	9	CW	3.01	1.18	1.70	24.00	2.562	3.500
4735-43400-27	9	CW	3.01	1.18	1.70	24.00	2.000	3.500
4735-43400-28	9	CW	3.01	1.18	1.70	24.00	3.687	4.625
4735-43400-29	9	CW	3.01	1.18	1.70	24.00	5.001	6.000
4735-43400-30	9	CW	3.01	1.18	1.70	24.00	4.921	5.750/6.00
4735-43400-31	9	CW	3.01	1.18	1.70	24.00	1.614	2.500
4735-43400-32	9	CW	3.01	1.18	1.70	23.00	2.562	3.500
4735-43400-33	9	CW	3.01	1.18	1.70	23.00	2.000	3.500
4735-43400-34	9	CW	3.01	1.18	1.70	23.00	3.687	4.625
4735-43400-35	9	CW	3.01	1.18	1.70	23.00	4.921	5.750/6.00
4735-43400-36	9	CW	3.01	1.18	1.70	23.00	3.250	3.810
4735-43400-37	9	CW	3.01	1.18	1.70	23.00	1.614	2.500
4735-43400-38	9	CW	3.01	1.18	1.70	22.00	2.562	3.500
4735-43400-39	9	CW	3.01	1.18	1.70	22.00	2.000	3.500
4735-43400-40	9	CW	3.01	1.18	1.70	22.00	3.687	4.625
4735-43400-41	9	CW	3.01	1.18	1.70	22.00	4.921	5.750/6.00
4735-43400-42	9	CW	3.01	1.18	1.70	22.00	3.250	3.810
4735-43400-43	9	CW	3.01	1.18	1.70	21.00	2.562	3.500
4735-43400-44	9	CW	3.01	1.18	1.70	21.00	2.000	3.500
4735-43400-45	9	CW	3.01	1.18	1.70	21.00	3.687	4.625
4735-43400-46	9	CW	3.01	1.18	1.70	21.00	5.001	6.000
4735-43400-47	9	CW	3.01	1.18	1.70	21.00	1.002	1.97/2.360
4735-43400-48	9	CW	3.01	1.18	1.70	21.00	4.921	5.750/6.00
4735-43400-49	9	CW	3.01	1.18	1.70	21.00	3.250	3.810
4735-43400-50	9	CW	3.01	1.18	1.70	21.00	1.614	2.500
4735-43400-51	9	CW	3.01	1.18	1.70	20.00	2.562	3.500
4735-43400-52	9	CW	3.01	1.18	1.70	20.00	2.000	3.500
4735-43400-53	9	CW	3.01	1.18	1.70	20.00	3.687	4.625
4735-43400-54	9	CW	3.01	1.18	1.70	20.00	5.001	6.000
4735-43400-55	9	CW	3.01	1.18	1.70	20.00	1.002	1.97/2.360

FAN SPECS BY PART #

4735-43400-56 – 4735-43440-05

FAN SPECS BY PART #

PART NUMBER	BLADES	ROT	PW	F-B	B-B	DIAMETER	PILOT	BOLT CIRCLE
4735-43400-56	9	CW	3.01	1.18	1.70	20.00	4.921	5.750/6.00
4735-43400-57	9	CW	3.01	1.18	1.70	20.00	1.614	2.500
4735-43434-01	9	CCW	3.01	1.18	1.70	26.00	2.562	3.500
4735-43434-02	9	CCW	3.01	1.18	1.70	26.00	2.000	3.500
4735-43434-03	9	CCW	3.01	1.18	1.70	26.00	5.001	6.000
4735-43434-04	9	CCW	3.01	1.18	1.70	26.00	1.002	1.97/2.360
4735-43434-05	9	CCW	3.01	1.18	1.70	26.00	1.002	None
4735-43434-06	9	CCW	3.01	1.18	1.70	26.00	3.687	4.625
4735-43434-07	9	CCW	3.01	1.18	1.70	26.00	4.921	5.750/6.00
4735-43434-08	9	CCW	3.01	1.18	1.70	22.00	5.001	6.000
4735-43434-09	9	CCW	3.01	1.18	1.70	23.00	5.001	6.000
4735-43434-10	9	CCW	3.01	1.18	1.70	20.00	3.250	3.810
4735-43434-11	9	CCW	3.01	1.18	1.70	25.00	1.002	1.97/2.360
4735-43434-12	9	CCW	3.01	1.18	1.70	24.00	1.002	1.97/2.360
4735-43434-13	9	CCW	3.01	1.18	1.70	23.00	1.002	1.97/2.360
4735-43434-14	9	CCW	3.01	1.18	1.70	22.00	1.002	1.97/2.360
4735-43434-15	9	CCW	3.01	1.18	1.70	22.00	1.614	2.500
4735-43434-16	9	CCW	3.01	1.18	1.70	24.00	3.250	3.810
4735-43434-17	9	CCW	3.01	1.18	1.70	26.00	3.250	3.810
4735-43434-18	9	CCW	3.01	1.18	1.70	26.00	1.614	2.500
4735-43434-19	9	CCW	3.01	1.18	1.70	25.00	2.562	3.500
4735-43434-20	9	CCW	3.01	1.18	1.70	25.00	2.000	3.500
4735-43434-21	9	CCW	3.01	1.18	1.70	25.00	3.687	4.625
4735-43434-22	9	CCW	3.01	1.18	1.70	25.00	5.001	6.000
4735-43434-23	9	CCW	3.01	1.18	1.70	25.00	4.921	5.750/6.00
4735-43434-24	9	CCW	3.01	1.18	1.70	25.00	3.250	3.810
4735-43434-25	9	CCW	3.01	1.18	1.70	25.00	1.614	2.500
4735-43434-26	9	CCW	3.01	1.18	1.70	24.00	2.562	3.500
4735-43434-27	9	CCW	3.01	1.18	1.70	24.00	2.000	3.500
4735-43434-28	9	CCW	3.01	1.18	1.70	24.00	3.687	4.625
4735-43434-29	9	CCW	3.01	1.18	1.70	24.00	5.001	6.000
4735-43434-30	9	CCW	3.01	1.18	1.70	24.00	4.921	5.750/6.00
4735-43434-31	9	CCW	3.01	1.18	1.70	24.00	1.614	2.500
4735-43434-32	9	CCW	3.01	1.18	1.70	23.00	2.562	3.500
4735-43434-33	9	CCW	3.01	1.18	1.70	23.00	2.000	3.500
4735-43434-34	9	CCW	3.01	1.18	1.70	23.00	3.687	4.625
4735-43434-35	9	CCW	3.01	1.18	1.70	23.00	4.921	5.750/6.00
4735-43434-36	9	CCW	3.01	1.18	1.70	23.00	3.250	3.810
4735-43434-37	9	CCW	3.01	1.18	1.70	23.00	1.614	2.500
4735-43434-38	9	CCW	3.01	1.18	1.70	22.00	2.562	3.500
4735-43434-39	9	CCW	3.01	1.18	1.70	22.00	2.000	3.500
4735-43434-40	9	CCW	3.01	1.18	1.70	22.00	3.687	4.625
4735-43434-41	9	CCW	3.01	1.18	1.70	22.00	4.921	5.750/6.00
4735-43434-42	9	CCW	3.01	1.18	1.70	22.00	3.250	3.810
4735-43434-43	9	CCW	3.01	1.18	1.70	21.00	2.562	3.500
4735-43434-44	9	CCW	3.01	1.18	1.70	21.00	2.000	3.500
4735-43434-45	9	CCW	3.01	1.18	1.70	21.00	3.687	4.625
4735-43434-46	9	CCW	3.01	1.18	1.70	21.00	5.001	6.000
4735-43434-47	9	CCW	3.01	1.18	1.70	21.00	1.002	1.97/2.360
4735-43434-48	9	CCW	3.01	1.18	1.70	21.00	4.921	5.750/6.00
4735-43434-49	9	CCW	3.01	1.18	1.70	21.00	3.250	3.810
4735-43434-50	9	CCW	3.01	1.18	1.70	21.00	1.614	2.500
4735-43434-51	9	CCW	3.01	1.18	1.70	20.00	2.562	3.500
4735-43434-52	9	CCW	3.01	1.18	1.70	20.00	2.000	3.500
4735-43434-53	9	CCW	3.01	1.18	1.70	20.00	3.687	4.625
4735-43434-54	9	CCW	3.01	1.18	1.70	20.00	5.001	6.000
4735-43434-55	9	CCW	3.01	1.18	1.70	20.00	1.002	1.97/2.360
4735-43434-56	9	CCW	3.01	1.18	1.70	20.00	4.921	5.750/6.00
4735-43434-57	9	CCW	3.01	1.18	1.70	20.00	1.614	2.500
4735-43439-01	8	CW	3.17-3.21	1.3	—	32.00	7.001	8.440
4735-43439-03	8	CW	3.17	1.27	1.76	30.00	7.001	8.440
4735-43439-05	8	CW	3.17	1.27	—	28.00	7.001	8.440
4735-43439-16	8	CW	3.17	1.27	—	26.00	7.001	8.440
4735-43439-17	8	CW	3.17	1.27	—	24.00	7.001	8.440
4735-43439-69	8	CW	3.17	1.27	—	27.00	7.001	8.440
4735-43439-87	8	CW	3.17	1.27	—	29.50	7.001	8.440
4735-43440-01	9	CW	3.79	1.50	2.18	32.00	2.562	3.500
4735-43440-02	9	CW	3.79	1.50	2.18	32.00	2.000	3.500
4735-43440-03	9	CW	3.79	1.50	2.18	32.00	5.001	6.000
4735-43440-04	9	CW	3.79	1.50	2.18	32.00	1.002	1.97/2.360
4735-43440-05	9	CW	3.79	1.50	2.18	31.00	2.562	3.500

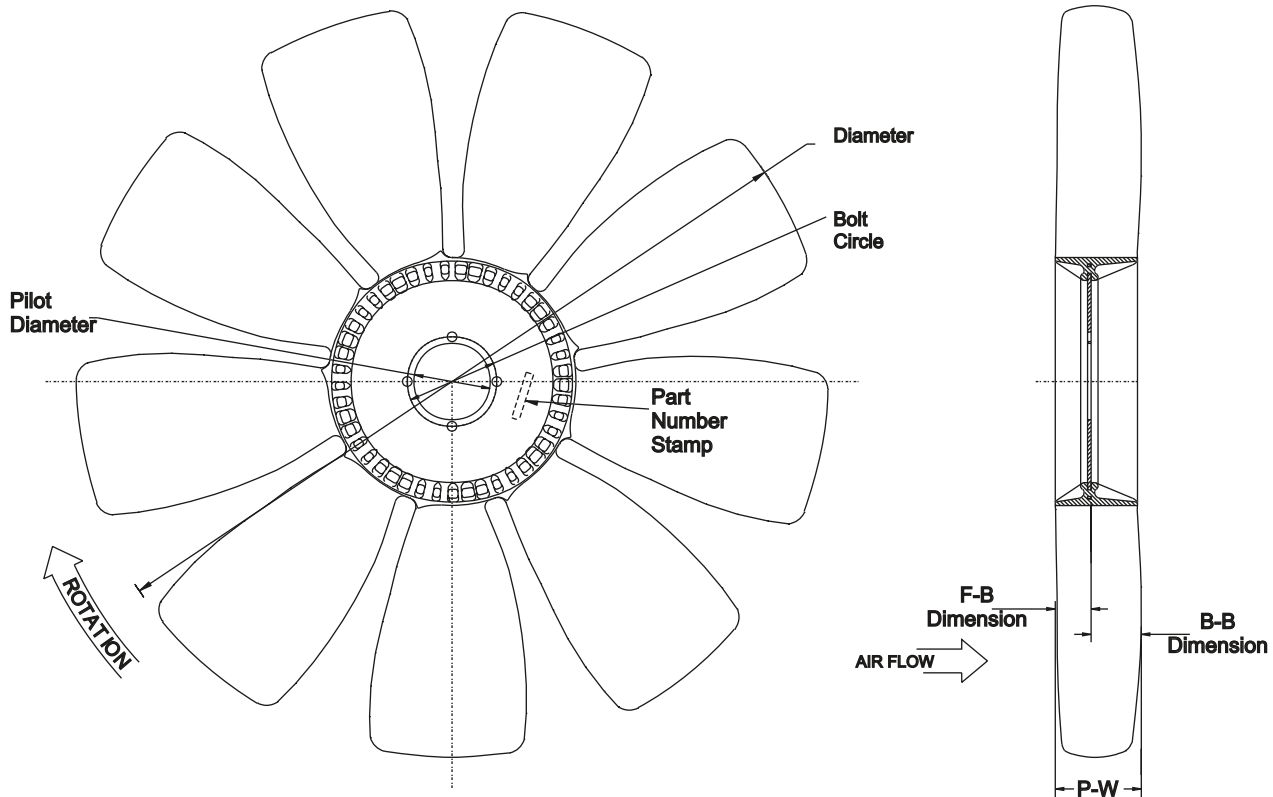
4735-43440-06 – 4735-43783-02

PART NUMBER	BLADES	ROT	PW	F-B	B-B	DIAMETER	PILOT	BOLT CIRCLE
4735-43440-06	9	CW	3.79	1.50	2.18	31.00	2.000	3.500
4735-43440-07	9	CW	3.79	1.50	2.18	31.00	5.001	6.000
4735-43440-08	9	CW	3.79	1.50	2.18	31.00	1.002	1.97/2.360
4735-43440-09	9	CW	3.79	1.50	2.18	30.00	2.562	3.500
4735-43440-10	9	CW	3.79	1.50	2.18	30.00	2.000	3.500
4735-43440-11	9	CW	3.79	1.50	2.18	30.00	5.001	6.000
4735-43440-12	9	CW	3.79	1.50	2.18	30.00	1.002	1.97/2.360
4735-43440-13	9	CW	3.79	1.50	2.18	29.00	2.562	3.500
4735-43440-14	9	CW	3.79	1.50	2.18	29.00	2.000	3.500
4735-43440-15	9	CW	3.79	1.50	2.18	29.00	5.001	6.000
4735-43440-16	9	CW	3.79	1.50	2.18	29.00	1.002	1.97/2.360
4735-43440-17	9	CW	3.79	1.50	2.18	28.00	2.562	3.500
4735-43440-18	9	CW	3.79	1.50	2.18	28.00	2.000	3.500
4735-43440-19	9	CW	3.79	1.50	2.18	28.00	5.001	6.000
4735-43440-20	9	CW	3.79	1.50	2.18	28.00	1.002	1.97/2.360
4735-43440-21	9	CW	3.79	1.50	2.18	27.00	2.562	3.500
4735-43440-22	9	CW	3.79	1.50	2.18	27.00	2.000	3.500
4735-43440-23	9	CW	3.79	1.50	2.18	27.00	5.001	6.000
4735-43440-24	9	CW	3.79	1.50	2.18	27.00	1.002	1.97/2.360
4735-43440-25	9	CW	3.79	1.50	2.18	26.00	2.562	3.500
4735-43440-26	9	CW	3.79	1.50	2.18	26.00	2.000	3.500
4735-43440-27	9	CW	3.79	1.50	2.18	26.00	5.001	6.000
4735-43440-28	9	CW	3.79	1.50	2.18	26.00	1.002	1.97/2.360
4735-43440-29	9	CW	3.79	1.50	2.18	30.00	2.053	3.500
4735-43440-30	9	CW	3.79	1.50	2.18	27.56	1.614	2.500
4735-43440-33	9	CW	3.79	1.50	2.18	31.50	2.000	3.500
4735-43480-01	9	CW	3.31-3.16	2.02	1.15	26.00	2.562	3.500
4735-43480-02	9	CW	3.31-3.16	2.02	1.15	26.00	2.000	3.500
4735-43480-03	9	CW	3.31-3.16	2.02	1.15	26.00	5.001	6.000
4735-43480-04	9	CW	3.31-3.16	2.02	1.15	26.00	1.002	1.97/2.360
4735-43480-05	9	CW	3.31-3.16	2.02	1.15	26.00	1.002	None
4735-43480-08	9	CW	3.30-3.15	2.02	1.15	22.00	5.001	6.000
4735-43480-09	9	CW	3.31-3.16	2.02	1.15	23.00	5.001	6.000
4735-43480-10	9	CW	3.31-3.16	2.02	1.15	25.00	5.001	6.000
4735-43480-11	9	CW	3.31-3.16	2.02	1.15	20.00	5.001	6.000
4735-43480-25	9	CW	3.31-3.16	2.02	1.15	24.00	3.250	3.810
4735-43480-26	9	CW	3.31-3.16	2.02	1.15	24.00	1.002	1.97/2.36
4735-43480-27	9	CW	3.31-3.16	2.02	1.15	24.00	2.000	3.500
4735-43480-28	9	CW	3.31-3.16	2.02	1.15	22.83	3.250	3.810
4735-43480-29	9	CW	3.31-3.16	2.02	1.15	26.00	5.001	6.000
4735-43480-30	9	CW	3.31-3.16	2.02	1.15	26.00	3.250	3.810
4735-43480-31	9	CW	3.31-3.16	2.02	1.15	22.83	5.001	6.000
4735-43480-32	9	CW	3.31-3.16	2.02	1.15	26.00	2.562	3.500
4735-43480-33	9	CW	3.31-3.16	2.02	1.15	26.00	5.001	6.000
4735-43559-01	9	CW	3.00	1.31	1.69	20.00	2.562	3.500
4735-43559-02	9	CW	3.00	1.31	1.69	20.00	2.000	3.500
4735-43559-03	9	CW	3.00	1.31	1.69	20.00	1.002	1.97/2.36
4735-43559-04	9	CW	3.00	1.31	1.69	20.00	1.500	2.5/2.875
4735-43559-05	9	CW	3.00	1.31	1.69	20.00	1.614	2.500
4735-43559-06	9	CW	3.00	1.31	1.69	19.00	1.614	2.500
4735-43559-07	9	CW	3.00	1.31	1.69	18.00	1.614	2.500
4735-43559-08	9	CW	3.00	1.31	1.69	15.35	1.002	1.97/2.36
4735-43559-09	9	CW	3.00	1.31	1.69	19.69	1.002	1.97/2.36
4735-43782-02	9	CW	3.65	1.35	2.3	28.00	2.562	3.500
4735-43782-03	9	CW	3.65	1.35	2.3	26.00	5.001	6.000
4735-43782-04	9	CW	3.65	1.35	2.3	26.00	2.562	3.500
4735-43782-05	9	CW	3.65	1.35	2.3	26.00	2.562	3.500
4735-43782-06	9	CW	3.65	1.35	2.3	23.00	2.562	3.500
4735-43782-08	9	CW	3.65	1.35	2.3	24.00	5.001	6.000
4735-43782-09	9	CW	3.65	1.35	2.3	24.00	5.001	6.000
4735-43782-11	9	CW	3.65	1.35	2.3	27.00	2.562	3.500
4735-43782-14	9	CW	3.65	1.35	2.3	27.00	2.000	3.500
4735-43782-15	9	CW	3.65	1.35	2.3	26.00	1.002	1.97/2.36
4735-43782-16	9	CW	3.65	1.35	2.3	22.00	2.562	3.500
4735-43782-17	9	CW	3.65	1.35	2.3	26.00	5.001	6.000
4735-43782-18	9	CW	3.65	1.35	2.3	23.00	5.001	6.000
4735-43782-19	9	CW	3.65	1.35	2.3	25.00	1.614	2.500
4735-43782-20	9	CW	3.65	1.35	2.3	26.77	2.562	3.500
4735-43783-01	9	CW	3.65	2.10	1.55	28.00	5.001	6.000
4735-43783-02	9	CW	3.65	2.10	1.55	28.00	2.562	3.500

FAN SPECS BY PART #



# DIAGRAM & 12.87 – 16.00



FAN SPECS BY DIAMETER

Diameter	Part Number	Blades	Rot	PW	F-B	B-B	Pilot	Bolt Circle
12.87	4735-38449-128	10	CW	2.10	1.18	0.98	1.002	1.730
13.40	4735-38449-88	10	CW	2.16	1.18	0.98	1.002	1.730
14.00	4735-38449-65	10	CW	2.16	1.18	0.98	1.002	1.97/2.360
14.00	4735-41296-28	7	CCW	4.00	2.10	1.90	4.000	4.478
14.09	4035-41045-53	7	CW	1.97	0.99	0.98	3.250	3.810
14.09	4735-38449-114	10	CW	2.16	1.18	0.98	3.250	3.810
14.17	4735-38449-120	10	CW	2.16	1.18	0.98	1.614	2.500
14.17	4735-41296-145	7	CCW	4.00	2.10	1.90	1.614	2.500
14.50	4735-41296-140	7	CCW	4.00	2.10	1.90	1.002	1.97/2.360
14.50	4735-41296-148	7	CCW	4.00	2.10	1.90	1.500	2.50&2.88D
15.00	4735-38449-72	10	CW	2.16	1.18	0.98	2.625	3.250
15.00	4735-41296-29	7	CCW	4.00	2.10	1.90	1.002	1.97/2.360
15.00	4735-41296-31	7	CCW	4.00	2.10	1.90	1.614	2.500
15.00	4735-41296-141	7	CCW	4.00	2.10	1.90	2.625	3.250
15.35	4735-38449-119	10	CW	2.16	1.18	0.98	1.002	1.97/2.36
15.35	4735-43559-08	9	CW	3.00	1.31	1.69	1.002	1.97/2.36
15.75	4735-38449-78	10	CW	2.16	1.18	0.98	1.252	1.970/2.125
16.00	4035-43772-05	7	CW	2.30	1.21	1.29	1.002	1.575
16.00	4735-35828-72	7	CCW	2.72	1.42	1.30	1.002	1.97/2.360
16.00	4735-38449-25	10	CW	2.16	1.18	0.98	1.002	1.97/2.360
16.00	4735-38449-26	10	CW	2.16	1.18	0.98	1.252	1.970/2.125
16.00	4735-38449-32	10	CW	2.16	1.18	0.98	2.000	3.500
16.00	4735-38449-34	10	CW	2.16	1.18	0.98	2.562	3.500
16.00	4735-38449-68	10	CW	2.16	1.18	0.98	2.625	3.250
16.00	4735-38449-107	10	CW	2.16	1.18	0.98	1.263	2.130
16.00	4735-38449-108	10	CW	2.16	1.18	0.98	1.002	1.75/2.188
16.00	4735-38449-112	10	CW	2.16	1.18	0.98	1.002	2.047
16.00	4735-38449-122	10	CW	2.16	1.18	0.98	1.002	1.575
16.00	4735-41296-36	7	CCW	4.00	2.10	1.90	1.002	1.97/2.360
16.00	4735-41296-42	7	CCW	4.00	2.10	1.90	4.000	4.478
16.00	4735-41296-137	7	CCW	4.00	2.10	1.90	1.263	2.130
16.00	4735-41296-142	7	CCW	4.00	2.10	1.90	2.625	3.250
16.00	4035-43777-10	7	CCW	2.30	1.21	1.29	1.500	2.50/2.875

Diameter	Part Number	Blades	Rot	PW	F-B	B-B	Pilot	Bolt Circle
16.50	4035-43477-04	8	CCW	3.18	2.10	0.96	1.500	Double
16.50	4035-43477-05	8	CCW	3.18	2.10	0.96	1.614	2.500
16.50	4035-43478-07	8	CCW	3.10-3.175	1.33	1.71	1.614	2.500
16.50	4035-43478-09	8	CCW	3.10-3.175	1.33	1.71	1.500	2.500/2.875
16.50	4735-38449-69	10	CW	2.16	1.18	0.98	1.500	Double
16.50	4735-41296-12	7	CCW	4.00	2.10	1.90	1.500	Double
16.50	4735-41296-143	7	CCW	4.00	2.10	1.90	2.625	3.250
16.50	4735-41296-150	7	CCW	4.00	2.10	1.90	3.250	3.810
16.50	4735-41296-153	7	CCW	4.00	2.10	1.90	1.417	2.283
16.50	4035-43777-09	7	CCW	2.30	1.21	1.29	1.500	2.50/2.875
16.50	4735-42002-02	—	—	—	—	—	1.500	Double
16.92	010011766	7	CCW	1.04	0.49	0.55	5.410	6.024
17.00	4035-41045-11	7	CW	1.97	0.99	0.98	2.562	—
17.00	4735-38449-37	10	CW	2.16	1.18	0.98	1.002	1.97/2.360
17.00	4735-38449-40	10	CW	2.16	1.18	0.98	2.562	3.500
17.00	4735-38449-109	10	CW	2.16	1.18	0.98	1.614	2.400
17.00	4735-38449-111	10	CW	2.16	1.18	0.98	1.002	2.047
17.00	4735-38449-123	10	CW	2.16	1.18	0.98	1.500	2.50/2.875
17.00	4735-38449-131	10	CW	2.16	1.18	0.98	2.620	3.250
17.00	4735-41296-17	7	CCW	4.00	2.10	1.90	1.002	1.97/2.360
17.00	4735-41296-44	7	CCW	4.00	2.10	1.90	1.614	2.500
17.00	4735-41296-121	7	CCW	4.00	2.10	1.90	1.614	2.500
17.00	4735-42599-65	10	CCW	2.90	2.10	0.93	2.187	3.000
17.00	4735-42600-65	10	CW	2.90	2.10	0.93	2.187	3.000
17.00	010010338	7	CCW	2.59	1.28	1.32	2.520	3.250
17.50	4735-38449-98	10	CW	2.16	1.18	0.98	4.000	4.478
17.72	4035-43478-15	8	CCW	3.10-3.175	1.33	1.71	1.102	1.890
17.72	4735-38449-121	10	CW	2.16	1.18	0.98	1.002	1.97/2.360
18.00	4035-41045-12	7	CW	1.97	0.99	0.98	1.002	Double
18.00	4035-41045-36	7	CW	1.97	0.99	0.98	1.614	—
18.00	4035-43477-03	8	CCW	3.18	2.10	0.96	1.500	Double
18.00	4035-43477-06	8	CCW	3.18	2.10	0.96	1.614	2.500
18.00	4035-43478-06	8	CCW	3.10-3.175	1.33	1.71	1.614	2.500
18.00	4035-43478-08	8	CCW	3.10-3.175	1.33	1.71	1.500	2.500/2.875
18.00	4035-43559-07	8	CW	3.10-3.30	1.31-1.41	1.67	1.614	2.500
18.00	4035-43560-02	9	CW	3.10-3.30	2.05-2.25	0.92	1.614	2.500
18.00	4035-43560-03	9	CW	3.10-3.30	2.05-2.25	0.92	1.002	1.97/2.36
18.00	4035-43560-06	9	CW	3.10-3.30	2.05-2.25	0.92	2.625	3.250
18.00	4035-43772-06	7	CW	2.30	1.21	1.29	2.625	3.250
18.00	4735-35480-135	6	CW	2.83	1.85	0.98	1.002	2.120
18.00	4735-35828-52	7	CCW	2.72	1.42	1.30	1.002	1.97/2.360
18.00	4735-35828-77	7	CCW	2.72	1.42	1.30	2.000	3.50/3.875
18.00	4735-35828-116	7	CCW	2.72	1.42	1.30	1.500	Double
18.00	4735-35828-128	7	CCW	2.72	1.42	1.30	1.614	2.500
18.00	4735-35828-144	7	CCW	2.72	1.42	1.30	1.693	2.440
18.00	4735-35828-164	7	CCW	2.72	1.42	1.30	1.614	2.374
18.00	4735-38449-19	10	CW	2.16	1.18	0.98	1.002	1.97/2.360
18.00	4735-38449-42	10	CW	2.16	1.18	0.98	2.000	3.500
18.00	4735-38449-43	10	CW	2.16	1.18	0.98	2.053	3.50/3.875
18.00	4735-38449-44	10	CW	2.16	1.18	0.98	2.625	3.250
18.00	4735-38449-45	10	CW	2.16	1.18	0.98	3.250	3.810
18.00	4735-38449-77	10	CW	2.16	1.18	0.98	1.500	Double
18.00	4735-38449-81	10	CW	2.16	1.18	0.98	1.002	2.190
18.00	4735-38449-82	10	CW	2.16	1.18	0.98	2.000	3.500
18.00	4735-38449-83	10	CW	2.16	1.18	0.98	1.614	2.500
18.00	4735-38449-89	10	CW	2.16	1.18	0.98	1.252	1.970/2.125
18.00	4735-38449-129	10	CW	2.16	1.18	0.98	1.417	2.283
18.00	4735-41296-04	7	CCW	4.00	2.10	1.90	1.614	2.500
18.00	4735-41296-13	7	CCW	4.00	2.10	1.90	1.500	Double
18.00	4735-41296-49	7	CCW	4.00	2.10	1.90	1.002	1.97/2.360
18.00	4735-41296-115	7	CCW	4.00	2.10	1.90	1.263	2.130
18.00	4735-41296-129	7	CCW	4.00	2.10	1.90	1.614	2.374
18.00	4735-41296-144	7	CCW	4.00	2.10	1.90	1.693	2.440
18.00	4735-41296-146	7	CCW	4.00	2.10	1.90	1.126	2.063
18.00	4735-41296-147	7	CCW	4.00	2.10	1.90	3.250	3.810
18.00	4735-42002-01	—	—	—	—	—	1.500	Double
18.00	4735-42599-62	10	CCW	2.90	2.10	0.93	1.614	2.500
18.00	4735-42599-101	10	CCW	2.90	2.10	0.93	2.000	3.500
18.00	4735-42599-110	10	CCW	2.90	2.10	0.93	1.002	1.97/2.360
18.00	4735-42600-62	10	CW	2.90	2.10	0.93	1.614	2.500
18.00	4735-42600-110	10	CW	2.90	2.10	0.93	1.002	1.97/2.360
18.00	4735-43559-07	9	CW	3.00	1.31	1.69	1.614	2.500

# 18.04 – 20.00

Diameter	Part Number	Blades	Rot	PW	F-B	B-B	Pilot	Bolt Circle
18.04	4035-43777-01	7	CCW	2.30	1.21	1.29	0.877	—
18.04	4035-43777-04	7	CCW	2.30	1.21	1.29	1.614	2.500
18.04	403-43777-05	7	CCW	2.30	1.21	1.29	1.500	2.500
18.11	010011005	11	CCW	2.13	1.22	0.91	2.626	3.250
18.50	4735-35828-112	7	CCW	2.72	1.42	1.30	1.002	1.97/2.360
18.50	4735-35828-194	7	CCW	2.72	1.42	1.30	1.262	2.360
18.50	4735-42599-82	10	CCW	2.90	2.10	0.93	1.614	2.500
18.50	010010377	10	CW	2.61	1.71	0.90	3.250	3.810
19.00	4035-41045-34	7	CW	1.97	0.99	0.98	1.614	—
19.00	4035-43559-06	8	CW	3.10-3.30	1.31-1.41	1.67	1.614	2.500
19.00	4735-38449-27	10	CW	2.16	1.18	0.98	1.002	1.97/2.360
19.00	4735-38449-47	10	CW	2.16	1.18	0.98	2.000	3.500
19.00	4735-38449-91	10	CW	2.16	1.18	0.98	1.614	2.500
19.00	4735-38449-118	10	CW	2.16	1.18	0.98	1.500	Double
19.00	4735-41296-06	7	CCW	4.00	2.10	1.90	1.614	2.500
19.00	4735-41296-19	7	CCW	4.00	2.10	1.90	1.500	Double
19.00	4735-41296-120	7	CCW	4.00	2.10	1.90	1.614	2.500
19.00	4735-42599-90	10	CCW	2.90	2.10	0.93	1.263	2.750
19.00	4735-42600-98	10	CW	2.90	2.10	0.93	4.000	4.478
19.00	4735-43559-06	9	CW	3.00	1.31	1.69	1.614	2.500
19.00	4735-43368-67	9	CCW	3.31	1.32	1.83	1.500	2.50/2.875
19.50	4735-38449-02	10	CW	2.16	1.18	0.98	2.562	3.50 dia(4@.406 & 4@.703)
19.50	4735-38449-04	10	CW	2.16	1.18	0.98	4.000	4.478
19.50	4735-38449-59	10	CW	2.16	1.18	0.98	2.625	3.250
19.50	4735-42599-103	10	CCW	2.90	2.10	0.93	2.562	3.50 dia(4@.406 & 4@.703)
19.50	4735-42599-112	10	CCW	2.90	2.10	0.93	5.001	6.000
19.50	4735-42599-116	10	CCW	2.90	2.10	0.93	3.250	3.810
19.69	4035-41045-54	7	CW	1.97	0.99	0.98	1.614	—
19.69	4035-43478-10	8	CCW	3.10-3.175	1.33	1.71	1.002	1.97/2.36
19.69	4035-43560-01	9	CW	3.10-3.30	2.05-2.25	0.92	2.625	3.250
19.69	4735-38449-116	10	CW	2.16	1.18	0.98	1.614	2.500
19.69	4735-43559-09	9	CW	3.00	1.31	1.69	1.002	1.97/2.36
20.00	4035-41045-19	7	CW	1.97	0.99	0.98	1.002	Double
20.00	4035-41045-22	7	CW	1.97	0.99	0.98	3.250	3.810
20.00	4035-41045-24	7	CW	1.97	0.99	0.98	2.000	3.500
20.00	4035-41045-37	7	CW	1.97	0.99	0.98	1.614	Double
20.00	4035-41045-43	7	CW	1.97	0.99	0.98	1.614	—
20.00	4035-41045-52	7	CW	1.97	0.99	0.98	2.519	—
20.00	4035-43475-01	8	CCW	2.95	2.06	0.96	2.625	3.250
20.00	4035-43477-01	8	CCW	3.18	2.10	0.96	2.625	3.250
20.00	4035-43477-02	8	CCW	3.18	2.10	0.96	1.002	NO
20.00	4035-43478-01	8	CCW	3.10-3.175	1.33	1.71	2.562	3.500
20.00	4035-43478-02	8	CCW	3.10-3.175	1.33	1.71	2.000	3.500
20.00	4035-43478-03	8	CCW	3.10-3.175	1.33	1.71	1.002	1.97D
20.00	4035-43478-05	8	CCW	3.10-3.175	1.33	1.71	1.614	2.500
20.00	4035-43559-01	8	CW	3.10-3.30	1.31-1.41	1.67	2.562	3.500
20.00	4035-43559-02	8	CW	3.10-3.30	1.31-1.41	1.67	2.000	3.500
20.00	4035-43559-03	8	CW	3.10-3.30	1.31-1.41	1.67	1.002	1.97D
20.00	4035-43559-04	8	CW	3.10-3.30	1.31-1.41	1.67	1.500	2.50D
20.00	4035-43559-05	8	CW	3.10-3.30	1.31-1.41	1.67	1.614	2.500
20.00	4735-35480-93	6	CW	2.83	1.85	0.98	1.002	1.97/2.360
20.00	4735-35828-42	7	CCW	2.72	1.42	1.30	1.002	1.97/2.360
20.00	4735-35828-63	7	CCW	2.72	1.42	1.30	2.000	3.50/3.875
20.00	4735-35828-81	7	CCW	2.72	1.42	1.30	2.562	3.500
20.00	4735-35828-146	7	CCW	2.72	1.42	1.30	1.614	2.500
20.00	4735-35828-158	7	CCW	2.72	1.42	1.30	4.094	5.120
20.00	4735-35828-193	7	CCW	2.72	1.42	1.30	1.002	1.720
20.00	4735-38449-03	10	CW	2.16	1.18	0.98	1.002	1.97/2.360
20.00	4735-38449-08	10	CW	2.16	1.18	0.98	2.000	3.500
20.00	4735-38449-17	10	CW	2.16	1.18	0.98	3.250	3.810
20.00	4735-38449-52	10	CW	2.16	1.18	0.98	2.560	3.500
20.00	4735-38449-56	10	CW	2.16	1.18	0.98	3.250	3.810
20.00	4735-38449-62	10	CW	2.16	1.18	0.98	4.000	4.478
20.00	4735-38449-64	10	CW	2.16	1.18	0.98	1.614	2.500
20.00	4735-38449-74	10	CW	2.16	1.18	0.98	1.252	1.970/2.125
20.00	4735-38449-86	10	CW	2.16	1.18	0.98	1.614	2.500
20.00	4735-38449-90	10	CW	2.16	1.18	0.98	1.500	Double
20.00	4735-38449-105	10	CW	2.16	1.18	0.98	5.000	None
20.00	4735-38449-113	10	CW	2.16	1.18	0.98	1.343	2.500
20.00	4735-38617-63	6	CW	2.83	1.85	0.98	1.614	—
20.00	4735-38825-71	6	CW	2.83	1.17	1.66	1.002	1.97/2.360

FAN SPECS BY DIAMETER

Diameter	Part Number	Blades	Rot	PW	F-B	B-B	Pilot	Bolt Circle
20.00	4735-41296-03	7	CCW	4.00	2.10	1.90	1.614	2.500
20.00	4735-41296-61	7	CCW	4.00	2.10	1.90	1.002	1.97/2.360
20.00	4735-41296-155	7	CCW	4.00	2.10	1.90	1.500	2.50/2.875
20.00	4735-42599-60	10	CCW	2.90	2.10	0.93	1.614	2.500
20.00	4735-42599-61	10	CCW	2.90	2.10	0.93	1.002	1.97/2.360
20.00	4735-42599-114	10	CCW	2.90	2.10	0.93	4.921	5.750/6.00
20.00	4735-42600-60	10	CW	2.90	2.10	0.93	1.614	2.500
20.00	4735-42600-61	10	CW	2.90	2.10	0.93	1.002	1.97/2.360
20.00	4735-42600-111	10	CW	2.90	2.10	0.93	2.562	3.500
20.00	4735-42600-122	10	CW	2.90	2.10	0.93	5.001	6.000
20.00	4735-43217-10	9	CW	3.30-3.15	1.27	—	3.250	3.810
20.00	4735-43217-51	9	CW	3.30-3.15	1.27	—	2.562	3.500
20.00	4735-43217-52	9	CW	3.30-3.15	1.27	—	2.000	3.500
20.00	4735-43217-53	9	CW	3.30-3.15	1.27	—	3.687	4.625
20.00	4735-43217-54	9	CW	3.30-3.15	1.27	—	5.001	6.000
20.00	4735-43217-55	9	CW	3.30-3.15	1.27	—	1.002	1.97/2.360
20.00	4735-43217-56	9	CW	3.30-3.15	1.27	—	4.921	5.750/6.00
20.00	4735-43217-57	9	CW	3.30-3.15	1.27	—	1.614	2.500
20.00	4735-43368-10	9	CCW	3.31	1.32	1.83	3.250	3.810
20.00	4735-43368-51	9	CCW	3.31	1.32	1.83	2.562	3.500
20.00	4735-43368-52	9	CCW	3.31	1.32	1.83	2.000	3.500
20.00	4735-43368-53	9	CCW	3.31	1.32	1.83	3.687	4.625
20.00	4735-43368-54	9	CCW	3.31	1.32	1.83	5.001	6.000
20.00	4735-43368-55	9	CCW	3.31	1.32	1.83	1.002	1.97/2.360
20.00	4735-43368-56	9	CCW	3.31	1.32	1.83	4.921	5.750/6.00
20.00	4735-43368-57	9	CCW	3.31	1.32	1.83	1.614	2.500
20.00	010019700	9	CCW	2.06	1.50	0.56	2.625	3.250
20.00	4735-43400-10	9	CW	3.01	1.18	1.70	3.250	3.810
20.00	4735-43400-51	9	CW	3.01	1.18	1.70	2.562	3.500
20.00	4735-43400-52	9	CW	3.01	1.18	1.70	2.000	3.500
20.00	4735-43400-53	9	CW	3.01	1.18	1.70	3.687	4.625
20.00	4735-43400-54	9	CW	3.01	1.18	1.70	5.001	6.000
20.00	4735-43400-55	9	CW	3.01	1.18	1.70	1.002	1.97/2.360
20.00	4735-43400-56	9	CW	3.01	1.18	1.70	4.921	5.750/6.00
20.00	4735-43400-57	9	CW	3.01	1.18	1.70	1.614	2.500
20.00	4735-43434-10	9	CCW	3.01	1.18	1.70	3.250	3.810
20.00	4735-43434-51	9	CCW	3.01	1.18	1.70	2.562	3.500
20.00	4735-43434-52	9	CCW	3.01	1.18	1.70	2.000	3.500
20.00	4735-43434-53	9	CCW	3.01	1.18	1.70	3.687	4.625
20.00	4735-43434-54	9	CCW	3.01	1.18	1.70	5.001	6.000
20.00	4735-43434-55	9	CCW	3.01	1.18	1.70	1.002	1.97/2.360
20.00	4735-43434-56	9	CCW	3.01	1.18	1.70	4.921	5.750/6.00
20.00	4735-43434-57	9	CCW	3.01	1.18	1.70	1.614	2.500
20.00	4735-43480-11	9	CW	3.31-3.16	2.02	1.15	5.001	6.000
20.00	4735-43559-01	9	CW	3.00	1.31	1.69	2.562	3.500
20.00	4735-43559-02	9	CW	3.00	1.31	1.69	2.000	3.500
20.00	4735-43559-03	9	CW	3.00	1.31	1.69	1.002	1.97/2.36
20.00	4735-43559-04	9	CW	3.00	1.31	1.69	1.500	2.5/2.875
20.00	4735-43559-05	9	CW	3.00	1.31	1.69	1.614	2.500
20.41	4735-38449-97	10	CW	2.16	1.18	0.98	1.575	2.835
20.50	4735-35480-42	6	CW	2.83	1.85	0.98	5.001	6.000
20.50	4735-38617-50	6	CW	2.83	1.85	0.98	5.001	6.000
20.50	4735-42599-117	10	CCW	2.90	2.10	0.93	1.262	2.360
20.87	4035-41045-38	7	CW	1.97	0.99	0.98	3.250	3.810
21.00	4035-41045-03	7	CW	1.97	0.99	0.98	2.000	3.500
21.00	4735-35480-133	6	CW	2.83	1.85	0.98	1.500	Double
21.00	4735-38449-21	10	CW	2.16	1.18	0.98	1.002	1.97/2.360
21.00	4735-38449-23	10	CW	2.16	1.18	0.98	2.000	3.500
21.00	4735-38449-54	10	CW	2.16	1.18	0.98	4.000	4.478
21.00	4735-38449-103	10	CW	2.16	1.18	0.98	1.500	Double
21.00	4735-38449-117	10	CW	2.16	1.18	0.98	1.614	2.500
21.00	4735-38449-133	10	CW	2.16	1.18	0.98	1.260	2.750
21.00	4735-41296-68	7	CCW	4.00	2.10	1.90	1.500	2.50/2.875
21.00	4735-41393-102	9	CW	3.50	2.04	1.46	3.250	3.810
21.00	4735-42599-66	10	CCW	2.90	2.10	0.93	1.614	2.500
21.00	4735-42600-66	10	CW	2.90	2.10	0.93	1.614	2.500
21.00	4735-42600-93	10	CW	2.90	2.10	0.93	2.000	3.500
21.00	4735-42600-120	10	CW	2.90	2.10	0.93	1.002	1.97/2.360
21.00	4735-42621-102	9	CCW	3.60	0.54	2.96	3.250	3.810
21.00	4735-42622-102	9	CCW	3.60	1.29	2.21	3.250	3.800
21.00	4735-42623-102	9	CCW	3.60	2.04	1.46	3.250	3.810
21.00	4735-43217-43	9	CW	3.30-3.15	1.27	—	2.562	3.500

21.00 – 22.00

Diameter	Part Number	Blades	Rot	PW	F-B	B-B	Pilot	Bolt Circle
21.00	4735-43217-44	9	CW	3.30-3.15	1.27	—	2.000	3.500
21.00	4735-43217-45	9	CW	3.30-3.15	1.27	—	3.687	4.625
21.00	4735-43217-46	9	CW	3.30-3.15	1.27	—	5.001	6.000
21.00	4735-43217-47	9	CW	3.30-3.15	1.27	—	1.002	1.97/2.360
21.00	4735-43217-48	9	CW	3.30-3.15	1.27	—	4.921	5.750/6.00
21.00	4735-43217-49	9	CW	3.30-3.15	1.27	—	3.250	3.810
21.00	4735-43217-50	9	CW	3.30-3.15	1.27	—	1.614	2.500
21.00	4735-43368-43	9	CCW	3.31	1.32	1.83	2.562	3.500
21.00	4735-43368-44	9	CCW	3.31	1.32	1.83	2.000	3.500
21.00	4735-43368-45	9	CCW	3.31	1.32	1.83	3.687	4.625
21.00	4735-43368-46	9	CCW	3.31	1.32	1.83	5.001	6.000
21.00	4735-43368-47	9	CCW	3.31	1.32	1.83	1.002	1.97/2.360
21.00	4735-43368-48	9	CCW	3.31	1.32	1.83	4.921	5.750/6.00
21.00	4735-43368-49	9	CCW	3.31	1.32	1.83	3.250	3.810
21.00	4735-43368-50	9	CCW	3.31	1.32	1.83	1.614	2.500
21.00	4735-43400-43	9	CW	3.01	1.18	1.70	2.562	3.500
21.00	4735-43400-44	9	CW	3.01	1.18	1.70	2.000	3.500
21.00	4735-43400-45	9	CW	3.01	1.18	1.70	3.687	4.625
21.00	4735-43400-46	9	CW	3.01	1.18	1.70	5.001	6.000
21.00	4735-43400-47	9	CW	3.01	1.18	1.70	1.002	1.97/2.360
21.00	4735-43400-48	9	CW	3.01	1.18	1.70	4.921	5.750/6.00
21.00	4735-43400-49	9	CW	3.01	1.18	1.70	3.250	3.810
21.00	4735-43400-50	9	CW	3.01	1.18	1.70	1.614	2.500
21.00	4735-43434-43	9	CCW	3.01	1.18	1.70	2.562	3.500
21.00	4735-43434-44	9	CCW	3.01	1.18	1.70	2.000	3.500
21.00	4735-43434-45	9	CCW	3.01	1.18	1.70	3.687	4.625
21.00	4735-43434-46	9	CCW	3.01	1.18	1.70	5.001	6.000
21.00	4735-43434-47	9	CCW	3.01	1.18	1.70	1.002	1.97/2.360
21.00	4735-43434-48	9	CCW	3.01	1.18	1.70	4.921	5.750/6.00
21.00	4735-43434-49	9	CCW	3.01	1.18	1.70	3.250	3.810
21.00	4735-43434-50	9	CCW	3.01	1.18	1.70	1.614	2.500
21.50	4735-38825-70	6	CW	2.83	1.17	1.66	1.002	1.97/2.360
21.54	020003126	9	CW	2.72	2.17	0.55	5.001	6.000
21.65	4735-42599-109	10	CCW	2.90	2.10	0.93	3.250	3.810
21.67	4735-38449-100	10	CW	2.16	1.18	0.98	1.002	1.97/2.360
21.71	4735-43217-67	9	CW	3.30-3.15	1.27	—	5.001	6.000
21.72	4735-38449-102	10	CW	2.16	1.18	0.98	1.002	1.97/2.360
21.72	4735-43217-58	9	CW	3.30-3.15	1.27	—	1.002	1.97/2.360
22.00	4035-41045-01	7	CW	1.97	0.99	0.98	3.250	3.810
22.00	4035-41045-28	7	CW	1.97	0.99	0.98	1.002	1.97/2.360
22.00	4035-41045-29	7	CW	1.97	0.99	0.98	2.000	3.500
22.00	4035-41045-47	7	CW	1.97	0.99	0.98	2.625	—
22.00	4735-35480-19	6	CW	2.83	1.85	0.98	2.562	3.500
22.00	4735-35480-22	6	CW	2.83	1.85	0.98	5.001	6.000
22.00	4735-35480-25	6	CW	2.83	1.85	0.98	2.000	3.500
22.00	4735-35480-45	6	CW	2.83	1.85	0.98	2.053	3.50/3.875
22.00	4735-35480-65	6	CW	2.83	1.85	0.98	3.250	3.810
22.00	4735-35480-78	6	CW	2.83	1.85	0.98	2.000	3.50/3.875
22.00	4735-35480-84	6	CW	2.83	1.85	0.98	1.002	1.97/2.360
22.00	4735-35828-18	7	CCW	2.72	1.42	1.30	2.053	3.50/3.875
22.00	4735-35828-43	7	CCW	2.72	1.42	1.30	1.002	1.97/2.360
22.00	4735-35828-68	7	CCW	2.72	1.42	1.30	2.000	3.50/3.875
22.00	4735-35828-86	7	CCW	2.72	1.42	1.30	2.562	3.500
22.00	4735-35828-88	7	CCW	2.72	1.42	1.30	5.001	6.000
22.00	4735-35828-188	7	CCW	2.72	1.42	1.30	1.614	2.500
22.00	4735-38164-10	8	CW	4.00	1.42	2.58	5.001	6.000
22.00	4735-38449-05	10	CW	2.16	1.18	0.98	2.562	3.500
22.00	4735-38449-06	10	CW	2.16	1.18	0.98	1.002	1.97/2.360
22.00	4735-38449-09	10	CW	2.16	1.18	0.98	2.000	3.500
22.00	4735-38449-18	10	CW	2.16	1.18	0.98	2.562	3.500
22.00	4735-38449-28	10	CW	2.16	1.18	0.98	1.245	4.000
22.00	4735-38449-55	10	CW	2.16	1.18	0.98	2.053	3.50/3.875
22.00	4735-38449-70	10	CW	2.16	1.18	0.98	3.250	3.810
22.00	4735-38449-76	10	CW	2.16	1.18	0.98	2.562	3.50 dia(4@.406 & 4@.703)
22.00	4735-38449-87	10	CW	2.16	1.18	0.98	1.614	2.500
22.00	4735-38449-94	10	CW	2.16	1.18	0.98	1.263	2.130
22.00	4735-38449-104	10	CW	2.16	1.18	0.98	5.000	None
22.00	4735-38449-106	10	CW	2.16	1.18	0.98	1.417	2.360
22.00	010020261	10	CW	2.16	1.18	0.98	1.500	2.500
22.00	4735-38617-01	6	CW	2.83	1.85	0.98	5.001	6.000
22.00	4735-38617-04	6	CW	2.83	1.85	0.98	3.250	3.810
22.00	4735-38617-07	6	CW	2.83	1.85	0.98	2.562	3.500

FAN SPECS BY DIAMETER

Diameter	Part Number	Blades	Rot	PW	F-B	B-B	Pilot	Bolt Circle
22.00	4735-38617-34	6	CW	2.83	1.85	0.98	2.000	3.500
22.00	4735-38825-14	6	CW	2.83	1.17	1.66	2.000	3.50/3.875
22.00	4735-38825-69	6	CW	2.83	1.17	1.66	1.002	1.97/2.360
22.00	4735-40518-04	9	CW	2.59	1.90	0.97	3.250	3.810
22.00	4735-41134-11	8	CW	3.00	2.03	0.97	1.002	1.97/2.360
22.00	4735-41296-11	7	CCW	4.00	2.10	1.90	1.614	2.500
22.00	4735-41296-74	7	CCW	4.00	2.10	1.90	1.002	1.97/2.360
22.00	4735-41296-76	7	CCW	4.00	2.10	1.90	2.000	3.500
22.00	4735-41296-117	7	CCW	4.00	2.10	1.90	2.187	3.000
22.00	4735-41391-51	9	CW	3.50	0.54	2.96	2.000	3.500
22.00	4735-41391-52	9	CW	3.50	0.54	2.96	2.562	3.500
22.00	4735-41391-82	9	CW	3.50	0.54	2.96	4.921	5.750/6.00
22.00	4735-41392-51	9	CW	3.50	1.29	2.21	2.000	3.500
22.00	4735-41392-53	9	CW	3.50	1.29	2.21	3.250	3.810
22.00	4735-41392-54	9	CW	3.50	1.29	2.21	5.001	6.000
22.00	4735-41392-108	9	CW	3.50	1.29	2.21	1.614	2.500
22.00	4735-41393-50	9	CW	3.50	2.04	1.46	1.002	1.97/2.360
22.00	4735-41393-51	9	CW	3.50	2.04	1.46	2.000	3.500
22.00	4735-41393-52	9	CW	3.50	2.04	1.46	2.562	3.500
22.00	4735-41393-53	9	CW	3.50	2.04	1.46	3.250	3.810
22.00	4735-41393-54	9	CW	3.50	2.04	1.46	5.001	6.000
22.00	4735-42599-44	10	CCW	2.90	2.10	0.93	1.002	1.97/2.360
22.00	4735-42599-45	10	CCW	2.90	2.10	0.93	1.500	Double
22.00	4735-42599-46	10	CCW	2.90	2.10	0.93	1.614	2.500
22.00	4735-42599-47	10	CCW	2.90	2.10	0.93	2.000	3.50/3.875
22.00	4735-42599-48	10	CCW	2.90	2.10	0.93	2.562	3.500
22.00	4735-42599-50	10	CCW	2.90	2.10	0.93	4.921	5.750/6.00
22.00	4735-42599-51	10	CCW	2.90	2.10	0.93	5.001	6.000
22.00	4735-42600-44	10	CW	2.90	2.10	0.93	1.002	1.97/2.360
22.00	4735-42600-45	10	CW	2.90	2.10	0.93	1.500	Double
22.00	4735-42600-46	10	CW	2.90	2.10	0.93	1.614	2.500
22.00	4735-42600-47	10	CW	2.90	2.10	0.93	2.000	3.50/3.875
22.00	4735-42600-48	10	CW	2.90	2.10	0.93	2.562	3.500
22.00	4735-42600-50	10	CW	2.90	2.10	0.93	4.921	5.750/6.00
22.00	4735-42600-51	10	CW	2.90	2.10	0.93	5.001	6.000
22.00	4735-42600-94	10	CW	2.90	2.10	0.93	3.250	3.810
22.00	4735-42621-50	9	CCW	3.60	0.54	2.96	1.002	1.97/2.360
22.00	4735-42621-51	9	CCW	3.60	0.54	2.96	2.000	3.500
22.00	4735-42621-52	9	CCW	3.60	0.54	2.96	2.562	3.500
22.00	4735-42621-53	9	CCW	3.60	0.54	2.96	3.250	3.810
22.00	4735-42621-54	9	CCW	3.60	0.54	2.96	5.001	6.000
22.00	4735-42621-69	9	CCW	3.60	0.54	2.96	4.000	4.478
22.00	4735-42621-82	9	CCW	3.60	0.54	2.96	4.921	5.750/6.00
22.00	4735-42621-108	9	CCW	3.60	0.54	2.96	1.614	2.500
22.00	4735-42622-50	9	CCW	3.60	1.29	2.21	1.002	1.97/2.360
22.00	4735-42622-51	9	CCW	3.60	1.29	2.21	2.000	3.500
22.00	4735-42622-52	9	CCW	3.60	1.29	2.21	2.562	3.500
22.00	4735-42622-53	9	CCW	3.60	1.29	2.21	3.250	3.800
22.00	4735-42622-54	9	CCW	3.60	1.29	2.21	5.001	6.000
22.00	4735-42622-69	9	CCW	3.60	1.29	2.21	4.000	4.478
22.00	4735-42622-82	9	CCW	3.60	1.29	2.21	4.921	5.750/6.00
22.00	4735-42623-50	9	CCW	3.60	2.04	1.46	1.002	1.97/2.360
22.00	4735-42623-51	9	CCW	3.60	2.04	1.46	2.000	3.500
22.00	4735-42623-52	9	CCW	3.60	2.04	1.46	2.562	3.500
22.00	4735-42623-53	9	CCW	3.60	2.04	1.46	3.250	3.810
22.00	4735-42623-54	9	CCW	3.60	2.04	1.46	5.001	6.000
22.00	4735-42623-69	9	CCW	3.60	2.04	1.46	4.000	4.478
22.00	4735-42623-82	9	CCW	3.60	2.04	1.46	4.921	5.750/6.00
22.00	4735-42623-108	9	CCW	3.60	2.04	1.46	1.614	2.500
22.00	4735-42904-98	8	CW	3.00	0.98	2.01	5.001	6.000
22.00	4735-43179-51	10	CW	—	—	—	5.001	6.000
22.00	4735-43217-08	9	CW	3.30-3.15	1.27	—	5.001	6.000
22.00	4735-43217-14	9	CW	3.30-3.15	1.27	—	1.002	1.97/2.360
22.00	4735-43217-15	9	CW	3.30-3.15	1.27	—	1.614	2.500
22.00	4735-43217-38	9	CW	3.30-3.15	1.27	—	2.562	3.500
22.00	4735-43217-39	9	CW	3.30-3.15	1.27	—	2.000	3.500
22.00	4735-43217-40	9	CW	3.30-3.15	1.27	—	3.687	4.625
22.00	4735-43217-41	9	CW	3.30-3.15	1.27	—	4.921	5.750/6.00
22.00	4735-43217-42	9	CW	3.30-3.15	1.27	—	3.250	3.810
22.00	4735-43217-59	9	CW	3.30-3.15	1.27	—	2.562	3.50 dia(4@.406 & 4@.703)
22.00	4735-43368-08	9	CCW	3.31	1.32	1.83	5.001	6.000
22.00	4735-43368-14	9	CCW	3.31	1.32	1.83	1.002	1.97/2.360

22.00 – 23.00

Diameter	Part Number	Blades	Rot	PW	F-B	B-B	Pilot	Bolt Circle
22.00	4735-43368-15	9	CCW	3.31	1.32	1.83	1.614	2.500
22.00	4735-43368-38	9	CCW	3.31	1.32	1.83	2.562	3.500
22.00	4735-43368-39	9	CCW	3.31	1.32	1.83	2.000	3.500
22.00	4735-43368-40	9	CCW	3.31	1.32	1.83	3.687	4.625
22.00	4735-43368-41	9	CCW	3.31	1.32	1.83	4.921	5.750/6.00
22.00	4735-43368-42	9	CCW	3.31	1.32	1.83	3.250	3.810
22.00	4735-43400-08	9	CW	3.01	1.18	1.70	5.001	6.000
22.00	4735-43400-14	9	CW	3.01	1.18	1.70	1.002	1.97/2.360
22.00	4735-43400-15	9	CW	3.01	1.18	1.70	1.614	2.500
22.00	4735-43400-38	9	CW	3.01	1.18	1.70	2.562	3.500
22.00	4735-43400-39	9	CW	3.01	1.18	1.70	2.000	3.500
22.00	4735-43400-40	9	CW	3.01	1.18	1.70	3.687	4.625
22.00	4735-43400-41	9	CW	3.01	1.18	1.70	4.921	5.750/6.00
22.00	4735-43400-42	9	CW	3.01	1.18	1.70	3.250	3.810
22.00	4735-43434-08	9	CCW	3.01	1.18	1.70	5.001	6.000
22.00	4735-43434-14	9	CCW	3.01	1.18	1.70	1.002	1.97/2.360
22.00	4735-43434-15	9	CCW	3.01	1.18	1.70	1.614	2.500
22.00	4735-43434-38	9	CCW	3.01	1.18	1.70	2.562	3.500
22.00	4735-43434-39	9	CCW	3.01	1.18	1.70	2.000	3.500
22.00	4735-43434-40	9	CCW	3.01	1.18	1.70	3.687	4.625
22.00	4735-43434-41	9	CCW	3.01	1.18	1.70	4.921	5.750/6.00
22.00	4735-43434-42	9	CCW	3.01	1.18	1.70	3.250	3.810
22.00	4735-43480-08	9	CW	3.30-3.15	2.02	1.15	5.001	6.000
22.00	4735-43783-24	9	CW	3.65	2.10	1.55	3.250	3.810
22.00	4735-43782-16	9	CW	3.65	1.35	2.30	2.562	3.500
22.44	020003124	9	CW	2.72	1.42	1.30	5.001	6.000
22.78	4735-41296-125	7	CCW	4.00	2.10	1.90	1.614	2.500
22.83	4735-38164-95	8	CW	4.00	1.42	2.58	5.001	6.000
22.83	4735-43480-28	9	CW	3.31-3.16	2.02	1.15	3.250	3.810
22.83	4735-43480-31	9	CW	3.31-3.16	2.02	1.15	5.001	6.000
23.00	4735-35480-16	6	CW	2.83	1.85	0.98	1.263	2.130
23.00	4735-35480-17	6	CW	2.83	1.85	0.98	3.250	3.810
23.00	4735-35480-29	6	CW	2.83	1.85	0.98	2.000	3.500
23.00	4735-35480-35	6	CW	2.83	1.85	0.98	5.001	6.000
23.00	4735-35480-75	6	CW	2.83	1.85	0.98	2.562	3.500
23.00	4735-35480-134	6	CW	2.83	1.85	0.98	1.500	Double
23.00	4735-35828-31	7	CCW	2.72	1.42	1.30	2.000	3.50/3.875
23.00	4735-35828-89	7	CCW	2.72	1.42	1.30	1.002	1.97/2.360
23.00	4735-37494-36	8	CW	3.01	0.87	2.14	2.560	3.500
23.00	4735-38164-17	8	CW	4.00	1.42	2.58	5.001	6.000
23.00	4735-38164-24	8	CW	4.00	1.42	2.58	2.000	3.50/3.875
23.00	4735-38164-40	8	CW	4.00	1.42	2.58	2.562	3.500
23.00	4735-38825-21	6	CW	2.83	1.17	1.66	1.002	1.97/2.360
23.00	4735-38825-22	6	CW	2.83	1.17	1.66	2.000	3.50/3.875
23.00	4735-38825-76	6	CW	2.83	1.17	1.66	1.500	Double
23.00	4735-41135-45	8	CW	3.00	1.28	1.72	1.002	1.97/2.360
23.00	4735-41135-46	8	CW	3.00	1.28	1.72	2.000	3.500
23.00	4735-41135-47	8	CW	3.00	1.28	1.72	2.562	3.500
23.00	4735-41135-48	8	CW	3.00	1.28	1.72	3.250	3.810
23.00	4735-41296-20	7	CCW	4.00	2.10	1.90	1.500	Double
23.00	4735-41296-80	7	CCW	4.00	2.10	1.90	1.002	1.97/2.360
23.00	4735-41296-81	7	CCW	4.00	2.10	1.90	1.500	2.50/2.875
23.00	4735-41296-82	7	CCW	4.00	2.10	1.90	1.614	2.500
23.00	4735-41296-83	7	CCW	4.00	2.10	1.90	2.000	3.500
23.00	4735-41392-45	9	CW	3.50	1.29	2.21	1.002	1.97/2.360
23.00	4735-41392-46	9	CW	3.50	1.29	2.21	2.000	3.500
23.00	4735-41392-47	9	CW	3.50	1.29	2.21	2.562	3.500
23.00	4735-42599-58	10	CCW	2.90	2.10	0.93	2.000	3.500
23.00	4735-42599-74	10	CCW	2.90	2.10	0.93	5.001	6.000
23.00	4735-42599-106	10	CCW	2.90	2.10	0.93	1.500	Double
23.00	4735-42600-58	10	CW	2.90	2.10	0.93	2.000	3.500
23.00	4735-42600-74	10	CW	2.90	2.10	0.93	5.001	6.000
23.00	4735-42600-95	10	CW	2.90	2.10	0.93	1.002	Double
23.00	4735-42600-106	10	CW	2.90	2.10	0.93	1.500	Double
23.00	4735-42621-45	9	CCW	3.60	0.54	2.96	1.002	1.97/2.360
23.00	4735-42621-46	9	CCW	3.60	0.54	2.96	2.000	3.500
23.00	4735-42621-47	9	CCW	3.60	0.54	2.96	2.562	3.500
23.00	4735-42621-48	9	CCW	3.60	0.54	2.96	3.250	3.810
23.00	4735-42621-49	9	CCW	3.60	0.54	2.96	5.001	6.000
23.00	4735-42622-45	9	CCW	3.60	1.29	2.21	1.002	1.97/2.360
23.00	4735-42622-46	9	CCW	3.60	1.29	2.21	2.000	3.500
23.00	4735-42622-47	9	CCW	3.60	1.29	2.21	2.562	3.500

FAN SPECS BY DIAMETER

Diameter	Part Number	Blades	Rot	PW	F-B	B-B	Pilot	Bolt Circle
23.00	4735-42622-48	9	CCW	3.60	1.29	2.21	3.250	3.800
23.00	4735-42622-49	9	CCW	3.60	1.29	2.21	5.001	6.000
23.00	4735-42622-70	9	CCW	3.60	1.29	2.21	4.000	4.478
23.00	4735-42623-45	9	CCW	3.60	2.04	1.46	1.002	1.97/2.360
23.00	4735-42623-46	9	CCW	3.60	2.04	1.46	2.000	3.500
23.00	4735-42623-47	9	CCW	3.60	2.04	1.46	2.562	3.500
23.00	4735-42623-48	9	CCW	3.60	2.04	1.46	3.250	3.810
23.00	4735-42623-49	9	CCW	3.60	2.04	1.46	5.001	6.000
23.00	4735-42623-70	9	CCW	3.60	2.04	1.46	4.000	4.478
23.00	4735-42904-36	8	CW	3.00	0.98	2.01	2.562	3.500
23.00	4735-43179-74	10	CW	—	—	—	5.001	6.000
23.00	4735-43217-09	9	CW	3.30-3.15	1.27	—	5.001	6.000
23.00	4735-43217-13	9	CW	3.30-3.15	1.27	—	1.002	1.97/2.360
23.00	4735-43217-32	9	CW	3.30-3.15	1.27	—	2.562	3.500
23.00	4735-43217-33	9	CW	3.30-3.15	1.27	—	2.000	3.500
23.00	4735-43217-34	9	CW	3.30-3.15	1.27	—	3.687	4.625
23.00	4735-43217-35	9	CW	3.30-3.15	1.27	—	4.921	5.750/6.00
23.00	4735-43217-36	9	CW	3.30-3.15	1.27	—	3.250	3.810
23.00	4735-43217-37	9	CW	3.30-3.15	1.27	—	1.614	2.500
23.00	4735-43368-09	9	CCW	3.31	1.32	1.83	5.001	6.000
23.00	4735-43368-13	9	CCW	3.31	1.32	1.83	1.002	1.97/2.360
23.00	4735-43368-32	9	CCW	3.31	1.32	1.83	2.562	3.500
23.00	4735-43368-33	9	CCW	3.31	1.32	1.83	2.000	3.500
23.00	4735-43368-34	9	CCW	3.31	1.32	1.83	3.687	4.625
23.00	4735-43368-35	9	CCW	3.31	1.32	1.83	4.921	5.750/6.00
23.00	4735-43368-36	9	CCW	3.31	1.32	1.83	3.250	3.810
23.00	4735-43368-37	9	CCW	3.31	1.32	1.83	1.614	2.500
23.00	4735-43368-58	9	CCW	3.31	1.32	1.83	1.500	Double
23.00	4735-43400-09	9	CW	3.01	1.18	1.70	5.001	6.000
23.00	4735-43400-13	9	CW	3.01	1.18	1.70	1.002	1.97/2.360
23.00	4735-43400-32	9	CW	3.01	1.18	1.70	2.562	3.500
23.00	4735-43400-33	9	CW	3.01	1.18	1.70	2.000	3.500
23.00	4735-43400-34	9	CW	3.01	1.18	1.70	3.687	4.625
23.00	4735-43400-35	9	CW	3.01	1.18	1.70	4.921	5.750/6.00
23.00	4735-43400-36	9	CW	3.01	1.18	1.70	3.250	3.810
23.00	4735-43400-37	9	CW	3.01	1.18	1.70	1.614	2.500
23.00	4735-43434-09	9	CCW	3.01	1.18	1.70	5.001	6.000
23.00	4735-43434-13	9	CCW	3.01	1.18	1.70	1.002	1.97/2.360
23.00	4735-43434-32	9	CCW	3.01	1.18	1.70	2.562	3.500
23.00	4735-43434-33	9	CCW	3.01	1.18	1.70	2.000	3.500
23.00	4735-43434-34	9	CCW	3.01	1.18	1.70	3.687	4.625
23.00	4735-43434-35	9	CCW	3.01	1.18	1.70	4.921	5.750/6.00
23.00	4735-43434-36	9	CCW	3.01	1.18	1.70	3.250	3.810
23.00	4735-43434-37	9	CCW	3.01	1.18	1.70	1.614	2.500
23.00	4735-43480-09	9	CW	3.31-3.16	2.02	1.15	5.001	6.000
23.00	4735-43782-06	9	CW	3.65	1.35	2.3	2.562	3.500
23.00	4735-43783-14	9	CW	3.65	2.10	1.55	5.001	6.000
23.00	4735-43783-18	9	CW	3.65	2.10	1.55	5.001	6.000
23.00	4735-43934-01	9	CW	3.28	1.89	1.39	5.001	6.000
23.00	4735-43782-18	9	CW	3.65	1.35	2.30	5.001	6.000
23.22	4735-42599-89	10	CCW	2.90	2.10	0.93	1.102	2.360
23.24	4735-43787-02	9	CCW	3.65	2.10	1.55	5.001	6.000
23.25	4035-43464-01	9	CCW	2.78	1.88	0.95	2.625	3.250
23.25	4035-43641-01	9	CCW	2.85	1.88	0.88	2.625	3.250
23.25	4735-35480-120	6	CW	2.83	1.85	0.98	3.250	3.810
23.25	4735-43783-22	9	CW	3.65	2.10	1.55	1.002	2.36/1.97
23.30	4735-43368-60	9	CCW	3.31	1.32	1.83	1.500	2.50/2.875
23.50	4735-35480-126	6	CW	2.83	1.85	0.98	1.614	2.500
23.50	4735-35828-119	7	CCW	2.72	1.42	1.30	1.500	Double
23.50	4735-42904-99	8	CW	3.00	0.98	2.01	5.001	6.000
23.60	4735-38164-93	8	CW	4.00	1.42	2.58	4.921	5.750/6.00
23.60	4735-41391-92	9	CW	3.50	0.54	2.96	5.001	6.000
23.60	4735-41393-92	9	CW	3.50	2.04	1.46	5.001	6.000
23.60	4735-42621-92	9	CCW	3.60	0.54	2.96	5.001	6.000
23.60	4735-42622-92	9	CCW	3.60	1.29	2.21	5.001	6.000
23.60	4735-42623-92	9	CCW	3.60	2.04	1.46	5.001	6.000
23.62	4735-35828-191	7	CCW	2.72	1.42	1.30	4.921	5.750/6.00
23.62	4735-41296-135	7	CCW	4.00	2.10	1.90	2.000	3.500
23.62	4735-41391-98	9	CW	3.50	0.54	2.96	4.921	5.750/6.00
23.62	4735-42599-42	10	CCW	2.90	2.10	0.93	4.921	5.750/6.00
23.62	4735-42599-43	10	CCW	2.90	2.10	0.93	5.001	6.000
23.62	4735-42599-69	10	CCW	2.90	2.10	0.93	2.000	3.500(4)



23.62 – 24.00

Diameter	Part Number	Blades	Rot	PW	F-B	B-B	Pilot	Bolt Circle
23.62	4735-42600-42	10	CW	2.90	2.10	0.93	4.921	5.750/6.00
23.62	4735-42600-43	10	CW	2.90	2.10	0.93	5.001	6.000
23.62	4735-42600-69	10	CW	2.90	2.10	0.93	2.000	3.500
23.62	4735-42600-97	10	CW	2.90	2.10	0.93	3.250	3.810
23.62	4735-42600-108	10	CW	2.90	2.10	0.93	4.000	4.478
23.62	4735-42621-98	9	CCW	3.60	0.54	2.96	4.921	5.750/6.00
23.62	4735-42622-98	9	CCW	3.60	1.29	2.21	4.921	5.750/6.00
23.62	4735-42623-98	9	CCW	3.60	2.04	1.46	4.921	5.750/6.00
23.62	4735-43217-61	9	CW	3.30-3.15	1.27	—	1.614	2.500
23.62	4735-43368-59	9	CCW	3.31	1.32	1.83	5.000	6.000
23.66	4735-42600-72	10	CW	2.90	2.10	0.93	1.002	1.97/2.360
23.68	4735-43783-23	9	CW	3.65	2.10	1.55	5.001	6.000
23.75	4735-41296-154	7	CCW	4.00	2.10	1.90	1.002	1.97/2.36
24.00	4735-35480-15	6	CW	2.83	1.85	0.98	2.562	3.500
24.00	4735-35480-21	6	CW	2.83	1.85	0.98	5.001	6.000
24.00	4735-35480-32	6	CW	2.83	1.85	0.98	2.000	3.500
24.00	4735-35480-44	6	CW	2.83	1.85	0.98	3.250	3.810
24.00	4735-35480-48	6	CW	2.83	1.85	0.98	2.000	3.50/3.875
24.00	4735-35480-49	6	CW	2.83	1.85	0.98	2.053	3.50/3.875
24.00	4735-35480-85	6	CW	2.83	1.85	0.98	1.002	1.97/2.360
24.00	4735-35828-16	7	CCW	2.72	1.42	1.30	2.562	3.500
24.00	4735-35828-19	7	CCW	2.72	1.42	1.30	2.000	3.50/3.875
24.00	4735-35828-24	7	CCW	2.72	1.42	1.30	2.053	3.50/3.875
24.00	4735-35828-44	7	CCW	2.72	1.42	1.30	1.002	1.97/2.360
24.00	4735-35828-90	7	CCW	2.72	1.42	1.30	3.250	3.810
24.00	4735-35828-91	7	CCW	2.72	1.42	1.30	5.001	6.000
24.00	4735-35828-108	7	CCW	2.72	1.42	1.30	1.263	2.750/2.360/1.969
24.00	4735-35828-145	7	CCW	2.72	1.42	1.30	1.262	2.360
24.00	4735-35828-178	7	CCW	2.72	1.42	1.30	1.500	Double
24.00	4735-35828-182	7	CCW	2.72	1.42	1.30	1.614	2.500
24.00	4735-35828-183	7	CCW	2.72	1.42	1.30	1.378	2.050
24.00	4735-37494-17	8	CW	3.01	0.87	2.14	7.001	8.440
24.00	4735-37494-22	8	CW	3.01	0.87	2.14	2.560	3.500
24.00	4735-37494-31	8	CW	3.01	0.87	2.14	5.001	6.000
24.00	4735-37494-33	8	CW	3.01	0.87	2.14	2.000	3.50/3.875
24.00	4735-37494-55	8	CW	3.01	0.87	2.14	2.050	3.50/3.875
24.00	4735-38164-27	8	CW	4.00	1.42	2.58	1.002	1.97/2.360
24.00	4735-38164-45	8	CW	4.00	1.42	2.58	2.053	3.50/3.875
24.00	4735-38164-67	8	CW	4.00	1.42	2.58	5.001	6.000
24.00	4735-38164-69	8	CW	4.00	1.42	2.58	2.000	3.50/3.875
24.00	4735-38617-02	6	CW	2.83	1.85	0.98	5.001	6.000
24.00	4735-38617-03	6	CW	2.83	1.85	0.98	2.562	3.500
24.00	4735-38617-20	6	CW	2.83	1.85	0.98	4.000	4.478
24.00	4735-38825-31	6	CW	2.83	1.17	1.66	1.002	1.97/2.360
24.00	4735-38825-32	6	CW	2.83	1.17	1.66	2.000	3.50/3.875
24.00	4735-38825-34	6	CW	2.83	1.17	1.66	2.562	3.500
24.00	4735-38825-35	6	CW	2.83	1.17	1.66	3.250	3.810
24.00	4735-38825-37	6	CW	2.83	1.17	1.66	5.001	6.000
24.00	4735-38825-81	6	CW	2.83	1.17	1.66	2.000	3.500
24.00	4735-38825-84	6	CW	2.83	1.17	1.66	1.500	Double
24.00	4735-40518-05	9	CW	2.59	1.90	0.97	5.001	6.000
24.00	4735-40518-06	9	CW	2.59	1.90	0.97	3.250	3.810
24.00	4735-40518-07	9	CW	2.59	1.90	0.97	2.562	3.500
24.00	4735-41134-31	8	CW	3.00	2.03	0.97	1.002	1.97/2.360
24.00	4735-41134-32	8	CW	3.00	2.03	0.97	2.000	3.500
24.00	4735-41134-33	8	CW	3.00	2.03	0.97	2.562	3.500
24.00	4735-41134-35	8	CW	3.00	2.03	0.97	5.001	6.000
24.00	4735-41135-40	8	CW	3.00	1.28	1.72	1.002	1.97/2.360
24.00	4735-41135-41	8	CW	3.00	1.28	1.72	2.000	3.500
24.00	4735-41135-42	8	CW	3.00	1.28	1.72	2.562	3.500
24.00	4735-41135-43	8	CW	3.00	1.28	1.72	3.250	3.810
24.00	4735-41135-44	8	CW	3.00	1.28	1.72	5.001	6.000
24.00	4735-41296-14	7	CCW	4.00	2.10	1.90	1.002	1.97/2.360
24.00	4735-41296-88	7	CCW	4.00	2.10	1.90	1.614	2.500
24.00	4735-41296-89	7	CCW	4.00	2.10	1.90	2.000	3.500
24.00	4735-41296-136	7	CCW	4.00	2.10	1.90	1.002	None
24.00	4735-41391-40	9	CW	3.50	0.54	2.96	1.002	1.97/2.360
24.00	4735-41391-43	9	CW	3.50	0.54	2.96	3.250	3.810
24.00	4735-41391-44	9	CW	3.50	0.54	2.96	5.001	6.000
24.00	4735-41391-79	9	CW	3.50	0.54	2.96	2.187	3.000
24.00	4735-41391-83	9	CW	3.50	0.54	2.96	4.921	5.750/6.00
24.00	4735-41392-40	9	CW	3.50	1.29	2.21	1.002	1.97/2.360

FAN SPECS BY DIAMETER

Diameter	Part Number	Blades	Rot	PW	F-B	B-B	Pilot	Bolt Circle
24.00	4735-41392-41	9	CW	3.50	1.29	2.21	2.000	3.500
24.00	4735-41392-42	9	CW	3.50	1.29	2.21	2.562	3.500
24.00	4735-41392-44	9	CW	3.50	1.29	2.21	5.001	6.000
24.00	4735-41393-40	9	CW	3.50	2.04	1.46	1.002	1.97/2.360
24.00	4735-41393-41	9	CW	3.50	2.04	1.46	2.000	3.500
24.00	4735-41393-42	9	CW	3.50	2.04	1.46	2.562	3.500
24.00	4735-41393-43	9	CW	3.50	2.04	1.46	3.250	3.810
24.00	4735-41393-44	9	CW	3.50	2.04	1.46	5.001	6.000
24.00	4735-41495-09	9	CW	3.00	0.52	2.47	2.562	3.500
24.00	4735-41497-09	9	CW	3.00	2.02	0.97	2.562	3.500
24.00	4735-41498-09	9	CW	3.00	1.27	1.72	2.562	3.500
24.00	4735-43783-21	9	CW	3.65	2.10	1.55	1.002	2.36/1.97
24.00	4735-43783-19	9	CW	3.65	2.10	1.55	2.000	3.500
24.00	010020276	9	CW	3.65	2.10	1.55	2.562	3.500
24.00	010020168	9	CW	3.65	2.10	1.55	3.250	3.810
24.00	4735-43783-33	9	CW	3.65	2.10	1.55	3.250	3.810
24.00	4735-43783-27	9	CW	3.65	2.10	1.55	5.001	6.000
24.00	4735-42476-44	8	CW	3.00	1.28	1.72	5.001	6.000
24.00	4735-42476-45	8	CW	3.00	1.28	1.72	5.001	6.000
24.00	4735-42578-44	8	CW	3.00	2.03	0.97	5.001	6.000
24.00	4735-42599-34	10	CCW	2.90	2.10	0.93	1.002	1.97/2.360
24.00	4735-42599-35	10	CCW	2.90	2.10	0.93	1.500	Double
24.00	4735-42599-36	10	CCW	2.90	2.10	0.93	1.614	2.500
24.00	4735-42599-37	10	CCW	2.90	2.10	0.93	2.000	3.50/3.875
24.00	4735-42599-38	10	CCW	2.90	2.10	0.93	2.562	3.500
24.00	4735-42599-40	10	CCW	2.90	2.10	0.93	4.921	5.750/6.00
24.00	4735-42599-41	10	CCW	2.90	2.10	0.93	5.001	6.000
24.00	4735-42600-34	10	CW	2.90	2.10	0.93	1.002	1.97/2.360
24.00	4735-42600-35	10	CW	2.90	2.10	0.93	1.500	Double
24.00	4735-42600-36	10	CW	2.90	2.10	0.93	1.614	2.500
24.00	4735-42600-37	10	CW	2.90	2.10	0.93	2.000	3.50/3.875
24.00	4735-42600-38	10	CW	2.90	2.10	0.93	2.562	3.500
24.00	4735-42600-39	10	CW	2.90	2.10	0.93	4.000	4.478
24.00	4735-42600-40	10	CW	2.90	2.10	0.93	4.921	5.750/6.00
24.00	4735-42600-41	10	CW	2.90	2.10	0.93	5.001	6.000
24.00	4735-42600-77	10	CW	2.90	2.10	0.93	3.250	3.810
24.00	4735-42600-104	10	CW	2.90	2.10	0.93	1.264	2.750
24.00	4735-42621-40	9	CCW	3.60	0.54	2.96	1.002	1.97/2.360
24.00	4735-42621-41	9	CCW	3.60	0.54	2.96	2.000	3.500
24.00	4735-42621-42	9	CCW	3.60	0.54	2.96	2.562	3.500
24.00	4735-42621-43	9	CCW	3.60	0.54	2.96	3.250	3.810
24.00	4735-42621-44	9	CCW	3.60	0.54	2.96	5.001	6.000
24.00	4735-42621-83	9	CCW	3.60	0.54	2.96	4.921	5.750/6.00
24.00	4735-42622-40	9	CCW	3.60	1.29	2.21	1.002	1.97/2.360
24.00	4735-42622-41	9	CCW	3.60	1.29	2.21	2.000	3.500
24.00	4735-42622-42	9	CCW	3.60	1.29	2.21	2.562	3.500
24.00	4735-42622-43	9	CCW	3.60	1.29	2.21	3.250	3.800
24.00	4735-42622-44	9	CCW	3.60	1.29	2.21	5.001	6.000
24.00	4735-42622-71	9	CCW	3.60	1.29	2.21	4.000	4.478
24.00	4735-42622-83	9	CCW	3.60	1.29	2.21	4.921	5.750/6.00
24.00	4735-42623-40	9	CCW	3.60	2.04	1.46	1.002	1.97/2.360
24.00	4735-42623-41	9	CCW	3.60	2.04	1.46	2.000	3.500
24.00	4735-42623-42	9	CCW	3.60	2.04	1.46	2.562	3.500
24.00	4735-42623-43	9	CCW	3.60	2.04	1.46	3.250	3.810
24.00	4735-42623-44	9	CCW	3.60	2.04	1.46	5.001	6.000
24.00	4735-42623-71	9	CCW	3.60	2.04	1.46	4.000	4.478
24.00	4735-42623-83	9	CCW	3.60	2.04	1.46	4.921	5.750/6.00
24.00	4735-42904-22	8	CW	3.00	0.98	2.01	2.562	3.500
24.00	4735-42904-31	8	CW	3.00	0.98	2.01	5.001	6.000
24.00	4735-42904-33	8	CW	3.00	0.98	2.01	2.000	3.50/3.875
24.00	4735-42904-40	8	CW	3.00	0.98	2.01	1.002	1.97/2.360
24.00	4735-43217-12	9	CW	3.30-3.15	1.27	—	1.002	1.97/2.360
24.00	4735-43217-16	9	CW	3.30-3.15	1.27	—	3.250	3.810
24.00	4735-43217-26	9	CW	3.30-3.15	1.27	—	2.562	3.500
24.00	4735-43217-27	9	CW	3.30-3.15	1.27	—	2.000	3.500
24.00	4735-43217-28	9	CW	3.30-3.15	1.27	—	3.687	4.625
24.00	4735-43217-29	9	CW	3.30-3.15	1.27	—	5.001	6.000
24.00	4735-43217-30	9	CW	3.30-3.15	1.27	—	4.921	5.750/6.00
24.00	4735-43217-31	9	CW	3.30-3.15	1.27	—	1.614	2.500
24.00	4735-43217-60	9	CW	3.30-3.15	1.27	—	1.500	Double
24.00	4735-43329-09	9	CW	2.85	0.51	—	2.562	3.500
24.00	4735-43330-09	9	CW	2.85	1.26	—	2.562	3.500

24.00 – 25.00

Diameter	Part Number	Blades	Rot	PW	F-B	B-B	Pilot	Bolt Circle
24.00	4735-43331-09	9	CW	2.85	2.01	—	2.562	3.500
24.00	4735-43340-42	9	CW	3.60	1.45	—	2.562	3.500
24.00	4735-43340-44	9	CW	3.60	1.45	—	5.001	6.000
24.00	4735-43368-12	9	CCW	3.31	1.32	1.83	1.002	1.97/2.360
24.00	4735-43368-16	9	CCW	3.31	1.32	1.83	3.250	3.810
24.00	4735-43368-26	9	CCW	3.31	1.32	1.83	2.562	3.500
24.00	4735-43368-27	9	CCW	3.31	1.32	1.83	2.000	3.500
24.00	4735-43368-28	9	CCW	3.31	1.32	1.83	3.687	4.625
24.00	4735-43368-29	9	CCW	3.31	1.32	1.83	5.001	6.000
24.00	4735-43368-30	9	CCW	3.31	1.32	1.83	4.921	5.750/6.00
24.00	4735-43368-31	9	CCW	3.31	1.32	1.83	1.614	2.500
24.00	4735-43400-12	9	CW	3.01	1.18	1.70	1.002	1.97/2.360
24.00	4735-43400-16	9	CW	3.01	1.18	1.70	3.250	3.810
24.00	4735-43400-26	9	CW	3.01	1.18	1.70	2.562	3.500
24.00	4735-43400-27	9	CW	3.01	1.18	1.70	2.000	3.500
24.00	4735-43400-28	9	CW	3.01	1.18	1.70	3.687	4.625
24.00	4735-43400-29	9	CW	3.01	1.18	1.70	5.001	6.000
24.00	4735-43400-30	9	CW	3.01	1.18	1.70	4.921	5.750/6.00
24.00	4735-43400-31	9	CW	3.01	1.18	1.70	1.614	2.500
24.00	4735-43434-12	9	CCW	3.01	1.18	1.70	1.002	1.97/2.360
24.00	4735-43434-16	9	CCW	3.01	1.18	1.70	3.250	3.810
24.00	4735-43434-26	9	CCW	3.01	1.18	1.70	2.562	3.500
24.00	4735-43434-27	9	CCW	3.01	1.18	1.70	2.000	3.500
24.00	4735-43434-28	9	CCW	3.01	1.18	1.70	3.687	4.625
24.00	4735-43434-29	9	CCW	3.01	1.18	1.70	5.001	6.000
24.00	4735-43434-30	9	CCW	3.01	1.18	1.70	4.921	5.750/6.00
24.00	4735-43434-31	9	CCW	3.01	1.18	1.70	1.614	2.500
24.00	4735-43439-17	8	CW	3.17	1.27	—	7.001	8.440
24.00	4735-43480-25	9	CW	3.31-3.16	2.02	1.15	3.250	3.810
24.00	4735-43480-26	9	CW	3.31-3.16	2.02	1.15	1.002	1.97/2.36
24.00	4735-43480-27	9	CW	3.31-3.16	2.02	1.15	2.000	3.500
24.00	4735-43782-08	9	CW	3.65	1.35	2.3	5.001	6.000
24.00	4735-43782-09	9	CW	3.65	1.35	2.3	5.001	6.000
24.00	4735-43783-09	9	CW	3.65	2.10	1.55	5.001	6.000
24.00	4735-43786-03	9	CCW	3.65	1.35	2.30	2.562	3.500
24.00	4735-43787-01	9	CCW	3.65	2.10	1.55	5.001	6.000
24.40	4735-41393-112	9	CW	3.50	2.04	1.46	4.000	4.478
24.41	4735-35828-163	7	CCW	2.72	1.42	1.30	5.001	6.000
24.41	4735-42599-54	10	CCW	2.90	2.10	0.93	4.921	5.750/6.00
24.41	4735-42600-54	10	CW	2.90	2.10	0.93	4.921	5.750/6.00
24.50	4735-41296-134	7	CCW	4.00	2.10	1.90	2.000	3.500
24.50	4735-41393-111	9	CW	3.50	2.04	1.46	5.001	6.000
24.50	4735-42600-79	10	CW	2.90	2.10	0.93	5.001	6.000
24.50	4735-43179-79	10	CW	—	—	—	5.001	6.000
24.50	4735-43217-63	9	CW	3.30-3.15	1.27	—	1.002	1.97/2.360
24.50	4735-43340-111	9	CW	3.60	1.45	—	5.001	6.000
24.60	4735-41393-116	9	CW	3.50	2.04	1.46	1.262	2.362
24.60	4735-42600-85	10	CW	2.90	2.10	0.93	1.889	2.840
24.60	4735-42600-91	10	CW	2.90	2.10	0.93	1.693	2.440
24.60	4735-43217-62	9	CW	3.30-3.15	1.27	—	1.693	2.440
24.60	4735-43217-64	9	CW	3.30-3.15	1.27	—	1.262	2.360
24.60	4735-43217-65	9	CW	3.30-3.15	1.27	—	1.889	2.840
25.00	4735-35828-70	7	CCW	2.72	1.42	1.30	4.000	4.478
25.00	4735-37494-25	8	CW	3.01	0.87	2.14	2.560	3.500
25.00	4735-37494-75	8	CW	3.01	0.87	2.14	2.050	3.50/3.875
25.00	4735-38164-51	8	CW	4.00	1.42	2.58	2.562	3.500
25.00	4735-38164-68	8	CW	4.00	1.42	2.58	5.001	6.000
25.00	4735-38164-88	8	CW	4.00	1.42	2.58	4.921	5.750/6.00
25.00	4735-38825-85	6	CW	2.83	1.17	1.66	1.500	Double
25.00	4735-41134-39	8	CW	3.00	2.03	0.97	5.001	6.000
25.00	4735-41135-35	8	CW	3.00	1.28	1.72	1.002	1.97/2.360
25.00	4735-41135-36	8	CW	3.00	1.28	1.72	2.000	3.500
25.00	4735-41135-37	8	CW	3.00	1.28	1.72	2.562	3.500
25.00	4735-41135-38	8	CW	3.00	1.28	1.72	3.250	3.810
25.00	4735-41135-39	8	CW	3.00	1.28	1.72	5.001	6.000
25.00	4735-41296-07	7	CCW	4.00	2.10	1.90	4.000	4.478
25.00	4735-41296-93	7	CCW	4.00	2.10	1.90	1.002	1.97/2.360
25.00	4735-41296-95	7	CCW	4.00	2.10	1.90	1.614	2.500
25.00	4735-41391-37	9	CW	3.50	0.54	2.96	2.562	3.500
25.00	4735-41391-39	9	CW	3.50	0.54	2.96	5.001	6.000
25.00	4735-41391-72	9	CW	3.50	0.54	2.96	4.000	4.478
25.00	4735-41392-35	9	CW	3.50	1.29	2.21	1.002	1.97/2.360

FAN SPECS BY DIAMETER

Diameter	Part Number	Blades	Rot	PW	F-B	B-B	Pilot	Bolt Circle
25.00	4735-41392-36	9	CW	3.50	1.29	2.21	2.000	3.500
25.00	4735-41392-37	9	CW	3.50	1.29	2.21	2.562	3.500
25.00	4735-41392-38	9	CW	3.50	1.29	2.21	3.250	3.810
25.00	4735-41392-39	9	CW	3.50	1.29	2.21	5.001	6.000
25.00	4735-41392-72	9	CW	3.50	1.29	2.21	4.000	4.478
25.00	4735-41393-35	9	CW	3.50	2.04	1.46	1.002	1.97/2.360
25.00	4735-41393-36	9	CW	3.50	2.04	1.46	2.000	3.500
25.00	4735-41393-39	9	CW	3.50	2.04	1.46	5.001	6.000
25.00	4735-41393-72	9	CW	3.50	2.04	1.46	4.000	4.478
25.00	4735-41495-10	9	CW	3.00	0.52	2.47	2.562	3.500
25.00	4735-41498-10	9	CW	3.00	1.27	1.72	2.562	3.500
25.00	4735-43782-19	9	CW	3.65	1.35	2.30	1.614	2.500
25.00	010011656	9	CW	3.65	2.10	1.55	2.000	3.500
25.00	010019754	9	CW	3.65	1.64	2.01	5.001	6.000
25.00	010019756	9	CW	3.65	1.79	1.86	5.001	6.000
25.00	4735-42599-80	10	CCW	2.90	2.10	0.93	1.002	1.97/2.360
25.00	4735-42599-83	10	CCW	2.90	2.10	0.93	1.002	1.97/2.360
25.00	4735-42599-105	10	CCW	2.90	2.10	0.93	1.614	2.500
25.00	4735-42600-102	10	CW	2.90	2.10	0.93	5.001	6.000
25.00	4735-42600-105	10	CW	2.90	2.10	0.93	4.921	5.750/6.00
25.00	4735-42621-35	9	CCW	3.60	0.54	2.96	1.002	1.97/2.360
25.00	4735-42621-36	9	CCW	3.60	0.54	2.96	2.000	3.500
25.00	4735-42621-37	9	CCW	3.60	0.54	2.96	2.562	3.500
25.00	4735-42621-38	9	CCW	3.60	0.54	2.96	3.250	3.810
25.00	4735-42621-39	9	CCW	3.60	0.54	2.96	5.001	6.000
25.00	4735-42622-35	9	CCW	3.60	1.29	2.21	1.002	1.97/2.360
25.00	4735-42622-36	9	CCW	3.60	1.29	2.21	2.000	3.500
25.00	4735-42622-37	9	CCW	3.60	1.29	2.21	2.562	3.500
25.00	4735-42622-38	9	CCW	3.60	1.29	2.21	3.250	3.800
25.00	4735-42622-39	9	CCW	3.60	1.29	2.21	5.001	6.000
25.00	4735-42622-72T	9	CCW	3.60	1.29	2.21	4.000	4.478
25.00	4735-42623-35	9	CCW	3.60	2.04	1.46	1.002	1.97/2.360
25.00	4735-42623-36	9	CCW	3.60	2.04	1.46	2.000	3.500
25.00	4735-42623-37	9	CCW	3.60	2.04	1.46	2.562	3.500
25.00	4735-42623-38	9	CCW	3.60	2.04	1.46	3.250	3.810
25.00	4735-42623-39	9	CCW	3.60	2.04	1.46	5.001	6.000
25.00	4735-42623-72	9	CCW	3.60	2.04	1.46	4.000	4.478
25.00	4735-42904-25	8	CW	3.00	0.98	2.01	2.562	3.500
25.00	4735-42904-75	8	CW	3.00	0.98	2.01	2.053	3.50/3.875
25.00	4735-42904-77	8	CW	3.00	0.98	2.01	2.000	3.50/3.875
25.00	4735-43217-11	9	CW	3.30-3.15	1.27	—	1.002	1.97/2.360
25.00	4735-43217-19	9	CW	3.30-3.15	1.27	—	2.562	3.500
25.00	4735-43217-20	9	CW	3.30-3.15	1.27	—	2.000	3.500
25.00	4735-43217-21	9	CW	3.30-3.15	1.27	—	3.687	4.625
25.00	4735-43217-22	9	CW	3.30-3.15	1.27	—	5.001	6.000
25.00	4735-43217-23	9	CW	3.30-3.15	1.27	—	4.921	5.750/6.00
25.00	4735-43217-24	9	CW	3.30-3.15	1.27	—	3.250	3.810
25.00	4735-43217-25	9	CW	3.30-3.15	1.27	—	1.614	2.500
25.00	4735-43329-10	9	CW	2.85	0.51	—	2.562	3.500
25.00	4735-43330-10	9	CW	2.85	1.26	—	2.562	3.500
25.00	4735-43368-11	9	CCW	3.31	1.32	1.83	1.002	1.97/2.360
25.00	4735-43368-19	9	CCW	3.31	1.32	1.83	2.562	3.500
25.00	4735-43368-20	9	CCW	3.31	1.32	1.83	2.000	3.500
25.00	4735-43368-21	9	CCW	3.31	1.32	1.83	3.687	4.625
25.00	4735-43368-22	9	CCW	3.31	1.32	1.83	5.001	6.000
25.00	4735-43368-23	9	CCW	3.31	1.32	1.83	4.921	5.750/6.00
25.00	4735-43368-24	9	CCW	3.31	1.32	1.83	3.250	3.810
25.00	4735-43368-25	9	CCW	3.31	1.32	1.83	1.614	2.500
25.00	4735-43368-62	9	CCW	3.31	1.32	1.83	1.500	2.50/2.875
25.00	4735-43400-11	9	CW	3.01	1.18	1.70	1.002	1.97/2.360
25.00	4735-43400-19	9	CW	3.01	1.18	1.70	2.562	3.500
25.00	4735-43400-20	9	CW	3.01	1.18	1.70	2.000	3.500
25.00	4735-43400-21	9	CW	3.01	1.18	1.70	3.687	4.625
25.00	4735-43400-22	9	CW	3.01	1.18	1.70	5.001	6.000
25.00	4735-43400-23	9	CW	3.01	1.18	1.70	4.921	5.750/6.00
25.00	4735-43400-24	9	CW	3.01	1.18	1.70	3.250	3.810
25.00	4735-43400-25	9	CW	3.01	1.18	1.70	1.614	2.500
25.00	4735-43434-11	9	CCW	3.01	1.18	1.70	1.002	1.97/2.360
25.00	4735-43434-19	9	CCW	3.01	1.18	1.70	2.562	3.500
25.00	4735-43434-20	9	CCW	3.01	1.18	1.70	2.000	3.500
25.00	4735-43434-21	9	CCW	3.01	1.18	1.70	3.687	4.625
25.00	4735-43434-22	9	CCW	3.01	1.18	1.70	5.001	6.000

25.00 – 26.00

Diameter	Part Number	Blades	Rot	PW	F-B	B-B	Pilot	Bolt Circle
25.00	4735-43434-23	9	CCW	3.01	1.18	1.70	4.921	5.750/6.00
25.00	4735-43434-24	9	CCW	3.01	1.18	1.70	3.250	3.810
25.00	4735-43434-25	9	CCW	3.01	1.18	1.70	1.614	2.500
25.00	4735-43480-10	9	CW	3.31-3.16	2.02	1.15	5.001	6.000
25.19	4735-41391-104	9	CW	3.50	0.54	2.96	4.921	5.750/6.00
25.19	4735-41392-104	9	CW	3.50	1.29	2.21	4.921	5.750/6.00
25.19	4735-41393-104	9	CW	3.50	2.04	1.46	4.921	5.750/6.00
25.19	4735-42621-104	9	CCW	3.60	0.54	2.96	4.921	5.750/6.00
25.19	4735-42622-104	9	CCW	3.60	1.29	2.21	4.921	5.750/6.00
25.19	4735-42623-104	9	CCW	3.60	2.04	1.46	4.921	5.750/6.00
25.20	4735-35828-171	7	CCW	2.72	1.42	1.30	5.001	6.000
25.20	4735-41134-51	8	CW	3.00	2.03	0.97	5.001	6.000
25.20	4735-41135-53	8	CW	3.00	1.28	1.72	5.001	6.000
25.20	4735-41393-113	9	CW	3.50	2.04	1.46	5.001	6.000
25.20	4735-42599-55	10	CCW	2.90	2.10	0.93	5.001	6.000
25.20	4735-42600-55	10	CW	2.90	2.10	0.93	5.001	6.000
25.50	4735-35828-109	7	CCW	2.72	1.42	1.30	5.001	6.000
25.50	4735-42600-76	10	CW	2.90	2.10	0.93	1.002	1.97/2.360
25.59	4735-42599-32	10	CCW	2.90	2.10	0.93	4.921	5.750/6.00
25.59	4735-42599-33	10	CCW	2.90	2.10	0.93	5.001	6.000
25.59	4735-42599-52	10	CCW	2.90	2.10	0.93	2.562	3.500
25.59	4735-42600-32	10	CW	2.90	2.10	0.93	4.921	5.750/6.00
25.59	4735-42600-33	10	CW	2.90	2.10	0.93	5.001	6.000
25.59	4735-42600-52	10	CW	2.90	2.10	0.93	2.562	3.500
25.59	4735-43368-63	9	CCW	3.31	1.32	1.83	5.001	6.000
25.60	4735-35828-127	7	CCW	2.72	1.42	1.30	2.562	3.500
25.60	4735-35828-137	7	CCW	2.72	1.42	1.30	2.562	3.500
25.60	4735-35828-187	7	CCW	2.72	1.42	1.30	4.921	5.750/6.00
25.60	4735-38617-60	6	CW	2.83	1.85	0.98	5.001	6.000
25.60	4735-41134-52	8	CW	3.00	2.03	0.97	5.001	6.000
25.67	4735-38164-100	8	CW	4.00	1.42	2.58	1.002	1.97/2.360
25.67	4735-41392-105	9	CW	3.50	1.29	2.21	1.002	1.97/2.360
25.67	4735-42621-105	9	CCW	3.60	0.54	2.96	1.002	1.97/2.360
25.67	4735-42622-105	9	CCW	3.60	1.29	2.21	1.002	1.97/2.360
25.67	4735-42623-105	9	CCW	3.60	2.04	1.46	1.002	1.97/2.360
25.98	4735-42600-92	10	CW	2.90	2.10	0.93	1.889	2.840
26.00	4035-38617-42	6	CW	2.83	1.85	0.98	2.562	3.500
26.00	4735-35480-20	6	CW	2.83	1.85	0.98	2.562	3.500
26.00	4735-35480-23	6	CW	2.83	1.85	0.98	2.000	3.500
26.00	4735-35480-36	6	CW	2.83	1.85	0.98	2.053	3.50/3.875
26.00	4735-35480-52	6	CW	2.83	1.85	0.98	3.687	4.625
26.00	4735-35480-55	6	CW	2.83	1.85	0.98	5.001	6.000
26.00	4735-35480-61	6	CW	2.83	1.85	0.98	4.921	5.750/6.00
26.00	4735-35480-62	6	CW	2.83	1.85	0.98	2.000	3.50/3.875
26.00	4735-35480-94	6	CW	2.83	1.85	0.98	1.002	1.97/2.360
26.00	4735-35480-127	6	CW	2.83	1.85	0.98	1.889	2.840
26.00	4735-35828-14	7	CCW	2.72	1.42	1.30	2.000	3.50/3.875
26.00	4735-35828-15	7	CCW	2.72	1.42	1.30	2.562	3.500
26.00	4735-35828-45	7	CCW	2.72	1.42	1.30	1.002	1.97/2.360
26.00	4735-35828-93	7	CCW	2.72	1.42	1.30	3.250	3.810
26.00	4735-35828-94	7	CCW	2.72	1.42	1.30	5.001	6.000
26.00	4735-35828-105	7	CCW	2.72	1.42	1.30	2.053	3.50/3.875
26.00	4735-35828-120	7	CCW	2.72	1.42	1.30	1.263	2.750
26.00	4735-35828-131	7	CCW	2.72	1.42	1.30	4.488	5.197
26.00	4735-35828-140	7	CCW	2.72	1.42	1.30	3.687	4.625
26.00	4735-35828-152	7	CCW	2.72	1.42	1.30	1.889	2.840
26.00	4735-35828-181	7	CCW	2.72	1.42	1.30	1.614	2.500
26.00	4735-37494-15	8	CW	3.01	0.87	2.14	5.001	6.000
26.00	4735-37494-16	8	CW	3.01	0.87	2.14	7.001	8.440
26.00	4735-37494-18	8	CW	3.01	0.87	2.14	2.560	3.500
26.00	4735-37494-24	8	CW	3.01	0.87	2.14	2.000	3.50/3.875
26.00	4735-37494-29	8	CW	3.01	0.87	2.14	2.050	3.50/3.875
26.00	4735-37494-41	8	CW	3.01	0.87	2.14	1.002	1.97/2.36
26.00	4735-37494-56	8	CW	3.01	0.87	2.14	3.680	4.620
26.00	4735-38164-28	8	CW	4.00	1.42	2.58	1.002	1.97/2.360
26.00	4735-38164-36	8	CW	4.00	1.42	2.58	5.001	6.000
26.00	4735-38164-47	8	CW	4.00	1.42	2.58	2.562	3.500
26.00	4735-38164-49	8	CW	4.00	1.42	2.58	2.000	3.50/3.875
26.00	4735-38164-53	8	CW	4.00	1.42	2.58	4.000	4.478
26.00	4735-38617-19	6	CW	2.83	1.85	0.98	4.000	4.478
26.00	4735-38617-21	6	CW	2.83	1.85	0.98	5.001	6.000
26.00	4735-38825-40	6	CW	2.83	1.17	1.66	1.002	1.97/2.360

FAN SPECS BY DIAMETER

Diameter	Part Number	Blades	Rot	PW	F-B	B-B	Pilot	Bolt Circle
26.00	4735-38825-41	6	CW	2.83	1.17	1.66	2.000	3.50/3.875
26.00	4735-38825-43	6	CW	2.83	1.17	1.66	2.562	3.500
26.00	4735-38825-44	6	CW	2.83	1.17	1.66	3.250	3.810
26.00	4735-38825-47	6	CW	2.83	1.17	1.66	5.001	6.000
26.00	4735-38825-79	6	CW	2.83	1.17	1.66	3.858	4.724
26.00	4735-38825-82	6	CW	2.83	1.17	1.66	2.000	3.500
26.00	4735-38825-86	6	CW	2.83	1.17	1.66	1.500	Double
26.00	4735-41134-17	8	CW	3.00	2.03	0.97	1.002	1.97/2.360
26.00	4735-41134-19	8	CW	3.00	2.03	0.97	2.562	3.500
26.00	4735-41134-21	8	CW	3.00	2.03	0.97	5.001	6.000
26.00	4735-41135-30	8	CW	3.00	1.28	1.72	1.002	1.97/2.360
26.00	4735-41135-31	8	CW	3.00	1.28	1.72	2.000	3.500
26.00	4735-41135-32	8	CW	3.00	1.28	1.72	2.562	3.500
26.00	4735-41135-33	8	CW	3.00	1.28	1.72	3.250	3.810
26.00	4735-41135-34	8	CW	3.00	1.28	1.72	5.001	6.000
26.00	4735-41135-64	8	CW	3.00	1.28	1.72	1.380	Double
26.00	4735-41296-02	7	CCW	4.00	2.10	1.90	2.187	3.000
26.00	4735-41296-08	7	CCW	4.00	2.10	1.90	1.002	1.97/2.360
26.00	4735-41296-10	7	CCW	4.00	2.10	1.90	2.000	3.500
26.00	4735-41296-21	7	CCW	4.00	2.10	1.90	1.614	2.500
26.00	4735-41296-99	7	CCW	4.00	2.10	1.90	1.500	Double
26.00	4735-41296-100	7	CCW	4.00	2.10	1.90	2.000	3.500
26.00	4735-41391-32	9	CW	3.50	0.54	2.96	2.562	3.500
26.00	4735-41391-33	9	CW	3.50	0.54	2.96	3.250	3.810
26.00	4735-41391-34	9	CW	3.50	0.54	2.96	5.001	6.000
26.00	4735-41391-110	9	CW	3.50	0.54	2.96	2.187	3.000
26.00	4735-41392-31	9	CW	3.50	1.29	2.21	2.000	3.500
26.00	4735-41392-32	9	CW	3.50	1.29	2.21	2.562	3.500
26.00	4735-41392-33	9	CW	3.50	1.29	2.21	3.250	3.810
26.00	4735-41392-34	9	CW	3.50	1.29	2.21	5.001	6.000
26.00	4735-41392-110	9	CW	3.50	1.29	2.21	2.187	3.000
26.00	4735-41393-30	9	CW	3.50	2.04	1.46	1.002	1.97/2.360
26.00	4735-41393-31	9	CW	3.50	2.04	1.46	2.000	3.500
26.00	4735-41393-32	9	CW	3.50	2.04	1.46	2.562	3.500
26.00	4735-41393-33	9	CW	3.50	2.04	1.46	3.250	3.810
26.00	4735-41393-34	9	CW	3.50	2.04	1.46	5.001	6.000
26.00	4735-41393-73	9	CW	3.50	2.04	1.46	4.000	4.478
26.00	4735-41393-106	9	CW	3.50	2.04	1.46	2.187	3.500
26.00	4735-41393-114	9	CW	3.50	2.04	1.46	3.750	4.500
26.00	4735-41495-08	9	CW	3.00	0.52	2.47	2.562	3.500
26.00	4735-41497-07	9	CW	3.00	2.02	0.97	5.001	6.000
26.00	4735-41497-08	9	CW	3.00	2.02	0.97	2.562	3.500
26.00	4735-41498-07	9	CW	3.00	1.27	1.72	5.001	6.000
26.00	4735-41498-08	9	CW	3.00	1.27	1.72	2.562	3.500
26.00	4735-41498-12	9	CW	2.97	1.27	—	4.000	4.478
26.00	4735-43782-15	9	CW	3.65	1.35	2.30	1.002	1.97/2.36
26.00	4735-43783-26	9	CW	3.65	2.10	1.55	1.002	1.97/2.36
26.00	4735-43783-25	9	CW	3.65	2.10	1.55	2.562	3.500
26.00	4735-43782-04	9	CW	3.65	1.35	2.30	2.562	3.500
26.00	473543782-17	9	CW	3.65	1.35	2.30	5.001	6.000
26.00	4735-43782-03	9	CW	3.65	1.35	2.30	5.001	6.000
26.00	4735-42137-21	8	CW	3.00	0.53	2.47	5.001	6.000
26.00	4735-42476-34	8	CW	3.00	1.28	1.72	5.001	6.000
26.00	4735-42578-21	8	CW	3.00	2.03	0.97	5.001	6.000
26.00	4735-42599-24	10	CCW	2.90	2.10	0.93	1.002	1.97/2.360
26.00	4735-42599-25	10	CCW	2.90	2.10	0.93	1.500	Double
26.00	4735-42599-26	10	CCW	2.90	2.10	0.93	1.614	2.500
26.00	4735-42599-27	10	CCW	2.90	2.10	0.93	2.000	3.50/3.875
26.00	4735-42599-28	10	CCW	2.90	2.10	0.93	2.562	3.500
26.00	4735-42599-30	10	CCW	2.90	2.10	0.93	4.921	5.750/6.00
26.00	4735-42599-31	10	CCW	2.90	2.10	0.93	5.001	6.000
26.00	4735-42599-67	10	CCW	2.90	2.10	0.93	4.488	5.197
26.00	4735-42599-70	10	CCW	2.90	2.10	0.93	2.000	3.500(4)
26.00	4735-42599-115	10	CCW	2.90	2.10	0.93	1.693	2.440
26.00	4735-42600-24	10	CW	2.90	2.10	0.93	1.002	1.97/2.360
26.00	4735-42600-25	10	CW	2.90	2.10	0.93	1.500	Double
26.00	4735-42600-26	10	CW	2.90	2.10	0.93	1.614	2.500
26.00	4735-42600-27	10	CW	2.90	2.10	0.93	2.000	3.50/3.875
26.00	4735-42600-28	10	CW	2.90	2.10	0.93	2.562	3.500
26.00	4735-42600-30	10	CW	2.90	2.10	0.93	4.921	5.750/6.00
26.00	4735-42600-31	10	CW	2.90	2.10	0.93	5.001	6.000
26.00	4735-42600-67	10	CW	2.90	2.10	0.93	4.488	5.197

26.00 – 26.00

Diameter	Part Number	Blades	Rot	PW	F-B	B-B	Pilot	Bolt Circle
26.00	4735-42600-70	10	CW	2.90	2.10	0.93	2.000	3.500
26.00	4735-42600-107	10	CW	2.90	2.10	0.93	3.250	3.810
26.00	4735-42600-119	10	CW	2.90	2.10	0.93	3.000	5.250
26.00	010021045	11	CW	3.72	1.57	2.15	7.000	8.436
26.00	4735-42621-30	9	CCW	3.60	0.54	2.96	1.002	1.97/2.360
26.00	4735-42621-31	9	CCW	3.60	0.54	2.96	2.000	3.500
26.00	4735-42621-32	9	CCW	3.60	0.54	2.96	2.562	3.500
26.00	4735-42621-33	9	CCW	3.60	0.54	2.96	3.250	3.810
26.00	4735-42621-34	9	CCW	3.60	0.54	2.96	5.001	6.000
26.00	4735-42621-106	9	CCW	3.60	0.54	2.96	2.187	3.500
26.00	4735-42622-30	9	CCW	3.60	1.29	2.21	1.002	1.97/2.360
26.00	4735-42622-31	9	CCW	3.60	1.29	2.21	2.000	3.500
26.00	4735-42622-32	9	CCW	3.60	1.29	2.21	2.562	3.500
26.00	4735-42622-33	9	CCW	3.60	1.29	2.21	3.250	3.800
26.00	4735-42622-34	9	CCW	3.60	1.29	2.21	5.001	6.000
26.00	4735-42622-61	9	CCW	3.60	1.29	2.21	4.921	5.750/6.00
26.00	4735-42622-73	9	CCW	3.60	1.29	2.21	4.000	4.478
26.00	4735-42622-106	9	CCW	3.60	1.29	2.21	2.187	3.500
26.00	4735-42623-30	9	CCW	3.60	2.04	1.46	1.002	1.97/2.360
26.00	4735-42623-31	9	CCW	3.60	2.04	1.46	2.000	3.500
26.00	4735-42623-32	9	CCW	3.60	2.04	1.46	2.562	3.500
26.00	4735-42623-33	9	CCW	3.60	2.04	1.46	3.250	3.810
26.00	4735-42623-34	9	CCW	3.60	2.04	1.46	5.001	6.000
26.00	4735-42623-73	9	CCW	3.60	2.04	1.46	4.000	4.478
26.00	4735-42623-106	9	CCW	3.60	2.04	1.46	2.187	3.500
26.00	4735-42904-15	8	CW	3.00	0.98	2.01	5.001	6.000
26.00	4735-42904-18	8	CW	3.00	0.98	2.01	2.562	3.500
26.00	4735-42904-24	8	CW	3.00	0.98	2.01	2.000	3.50/3.875
26.00	4735-42904-29	8	CW	3.00	0.98	2.01	2.053	3.50/3.875
26.00	4735-42904-41	8	CW	3.00	0.98	2.01	1.002	1.97/2.360
26.00	4735-43179-31	10	CW	—	—	—	5.001	6.000
26.00	4735-43217-01	9	CW	3.30-3.15	1.27	—	2.562	3.500
26.00	4735-43217-02	9	CW	3.30-3.15	1.27	—	2.000	3.500
26.00	4735-43217-03	9	CW	3.30-3.15	1.27	—	5.001	6.000
26.00	4735-43217-04	9	CW	3.30-3.15	1.27	—	1.002	1.97/2.360
26.00	4735-43217-05	9	CW	3.30-3.15	1.27	—	1.002	NO
26.00	4735-43217-06	9	CW	3.30-3.15	1.27	—	3.687	4.625
26.00	4735-43217-07	9	CW	3.30-3.15	1.27	—	4.921	5.750/6.00
26.00	4735-43217-17	9	CW	3.30-3.15	1.27	—	3.250	3.810
26.00	4735-43217-18	9	CW	3.30-3.15	1.27	—	1.614	2.500
26.00	4735-43329-08	9	CW	2.85	0.51	—	2.562	3.500
26.00	4735-43330-08	9	CW	2.85	1.26	—	2.562	3.500
26.00	4735-43330-12	9	CW	2.85	1.26	1.72	—	—
26.00	4735-43331-07	9	CW	2.85	2.01	—	5.001	6.000
26.00	4735-43331-08	9	CW	2.85	2.01	—	2.562	3.500
26.00	4735-43340-34	9	—	3.6	1.45	—	5.001	6.000
26.00	4735-43368-01	9	CCW	3.31	1.32	1.83	2.562	3.500
26.00	4735-43368-02	9	CCW	3.31	1.32	1.83	2.000	3.500
26.00	4735-43368-03	9	CCW	3.31	1.32	1.83	5.001	6.000
26.00	4735-43368-04	9	CCW	3.31	1.32	1.83	1.002	1.97/2.360
26.00	4735-43368-05	9	CCW	3.31	1.32	1.83	1.002	None
26.00	4735-43368-06	9	CCW	3.31	1.32	1.83	3.687	4.625
26.00	4735-43368-07	9	CCW	3.31	1.32	1.83	4.921	5.750/6.00
26.00	4735-43368-17	9	CCW	3.31	1.32	1.83	3.250	3.810
26.00	4735-43368-18	9	CCW	3.31	1.32	1.83	1.614	2.500
26.00	4735-43368-64	9	CCW	3.31	1.32	1.83	1.500	2.50/2.875
26.00	4735-43400-01	9	CW	3.01	1.18	1.70	2.562	3.500
26.00	4735-43400-02	9	CW	3.01	1.18	1.70	2.000	3.500
26.00	4735-43400-03	9	CW	3.01	1.18	1.70	5.001	6.000
26.00	4735-43400-04	9	CW	3.01	1.18	1.70	1.002	1.97/2.360
26.00	4735-43400-05	9	CW	3.01	1.18	1.70	1.002	None
26.00	4735-43400-06	9	CW	3.01	1.18	1.70	3.687	4.625
26.00	4735-43400-07	9	CW	3.01	1.18	1.70	4.921	5.750/6.00
26.00	4735-43400-17	9	CW	3.01	1.18	1.70	3.250	3.810
26.00	4735-43400-18	9	CW	3.01	1.18	1.70	1.614	2.500
26.00	4735-43434-01	9	CCW	3.01	1.18	1.70	2.562	3.500
26.00	4735-43434-02	9	CCW	3.01	1.18	1.70	2.000	3.500
26.00	4735-43434-03	9	CCW	3.01	1.18	1.70	5.001	6.000
26.00	4735-43434-04	9	CCW	3.01	1.18	1.70	1.002	1.97/2.360
26.00	4735-43434-05	9	CCW	3.01	1.18	1.70	1.002	None
26.00	4735-43434-06	9	CCW	3.01	1.18	1.70	3.687	4.625
26.00	4735-43434-07	9	CCW	3.01	1.18	1.70	4.921	5.750/6.00

FAN SPECS BY DIAMETER

Diameter	Part Number	Blades	Rot	PW	F-B	B-B	Pilot	Bolt Circle
26.00	4735-43434-17	9	CCW	3.01	1.18	1.70	3.250	3.810
26.00	4735-43434-18	9	CCW	3.01	1.18	1.70	1.614	2.500
26.00	4735-43439-16	8	CW	3.17	1.27	—	7.001	8.440
26.00	4735-43440-25	9	CW	3.79	1.50	2.18	2.562	3.500
26.00	4735-43440-26	9	CW	3.79	1.50	2.18	2.000	3.500
26.00	4735-43440-27	9	CW	3.79	1.50	2.18	5.001	6.000
26.00	4735-43440-28	9	CW	3.79	1.50	2.18	1.002	1.97/2.360
26.00	4735-43480-01	9	CW	3.31-3.16	2.02	1.15	2.562	3.500
26.00	4735-43480-02	9	CW	3.31-3.16	2.02	1.15	2.000	3.500
26.00	4735-43480-03	9	CW	3.31-3.16	2.02	1.15	5.001	6.000
26.00	4735-43480-04	9	CW	3.31-3.16	2.02	1.15	1.002	1.97/2.360
26.00	4735-43480-05	9	CW	3.31-3.16	2.02	1.15	1.002	None
26.00	4735-43480-29	9	CW	3.31-3.16	2.02	1.15	5.001	6.000
26.00	4735-43480-30	9	CW	3.31-3.16	2.02	1.15	3.250	3.810
26.00	4735-43782-05	9	CW	3.65	1.35	2.3	2.562	3.500
26.00	4735-43783-03	9	CW	3.65	2.10	1.55	5.001	6.000
26.00	4735-43783-04	9	CW	3.65	2.10	1.55	2.562	3.500
26.00	4735-43783-07	9	CW	3.65	2.10	1.55	5.001	6.000
26.00	4735-43783-08	9	CW	3.65	2.10	1.55	2.562	3.500
26.00	4735-43783-10	9	CW	3.65	2.10	1.55	5.001	6.000
26.00	4735-43480-32	9	CW	3.31-3.16	2.02	1.15	2.562	3.500
26.00	4735-43480-33	9	CW	3.31-3.16	2.02	1.15	5.001	6.000
26.30	4735-41134-50	8	CW	3.00	2.03	0.97	5.001	6.000
26.50	4735-41393-68	9	CW	3.50	2.04	1.46	2.000	3.500
26.50	4735-42621-68	9	CCW	3.60	0.54	2.96	2.000	3.500
26.50	4735-42622-68	9	CCW	3.60	1.29	2.21	2.000	3.500
26.50	4735-42622-115	9	CCW	3.60	1.29	2.21	1.002	1.97/2.360
26.50	4735-42623-68	9	CCW	3.60	2.04	1.46	2.000	3.500
26.71	4735-41393-97	9	CW	3.60	2.04	1.46	2.000	3.500
26.71	4735-42621-97	9	CCW	3.60	0.54	2.96	2.000	3.500
26.71	4735-42623-97	9	CCW	3.60	2.04	1.46	2.000	3.500
26.75	4735-38164-92	8	CW	4.00	1.42	2.58	2.562	3.500
26.75	4735-41391-65	9	CW	3.50	0.54	2.96	4.000	4.478
26.75	4735-41392-65	9	CW	3.50	1.29	2.21	4.000	4.478
26.75	4735-41392-103	9	CW	3.50	1.29	2.21	2.562	3.500
26.75	4735-41392-112	9	CW	3.50	1.29	2.21	5.001	6.000
26.75	4735-41393-65	9	CW	3.50	2.04	1.46	4.000	4.478
26.75	4735-42621-103	9	CCW	3.60	0.54	2.96	2.562	3.500
26.75	4735-42622-65	9	CCW	3.60	1.29	2.21	4.000	4.478
26.75	4735-42622-103	9	CCW	3.60	1.29	2.21	2.562	3.500
26.75	4735-42623-65	9	CCW	3.60	2.04	1.46	4.000	4.478
26.75	4735-42623-103	9	CCW	3.60	2.04	1.46	2.562	3.500
26.77	4735-35480-129	6	CW	2.83	1.85	0.98	4.921	5.750/6.00
26.77	4735-42599-53	10	CCW	2.90	2.10	0.93	4.921	5.750/6.00
26.77	4735-42600-53	10	CW	2.90	2.10	0.93	4.921	5.750/6.00
26.77	4735-42622-97	9	CCW	3.60	1.29	2.21	2.000	3.500
26.77	4735-42578-45	8	CW	3.00	2.03	0.97	5.001	6.000
26.77	4735-43782-20	9	CW	3.65	1.35	2.30	2.562	3.500
27.00	4735-35480-113	6	CW	2.83	1.85	0.98	2.000	3.50/3.875
27.00	4735-35828-179	7	CCW	2.72	1.42	1.30	1.002	1.97/2.360
27.00	4735-38164-77	8	CW	4.00	1.42	2.58	5.001	6.000
27.00	4735-38164-79	8	CW	4.00	1.42	2.58	2.562	3.500
27.00	4735-41134-71	8	CW	3.00	2.03	0.97	2.562	3.500
27.00	4735-41134-72	8	CW	3.00	2.03	0.97	1.693	2.440
27.00	4735-41135-25	8	CW	3.00	1.28	1.72	1.002	1.97/2.360
27.00	4735-41135-26	8	CW	3.00	1.28	1.72	2.000	3.500
27.00	4735-41135-27	8	CW	3.00	1.28	1.72	2.562	3.500
27.00	4735-41135-28	8	CW	3.00	1.28	1.72	3.250	3.810
27.00	4735-41135-29	8	CW	3.00	1.28	1.72	5.001	6.000
27.00	4735-41296-103	7	CCW	4.00	2.10	1.90	1.002	1.97/2.360
27.00	4735-41296-106	7	CCW	4.00	2.10	1.90	2.000	3.500
27.00	4735-41391-29	9	CW	3.50	0.54	2.96	5.001	6.000
27.00	4735-41392-25	9	CW	3.50	1.29	2.21	1.002	1.97/2.36
27.00	4735-41392-26	9	CW	3.50	1.29	2.21	2.000	3.50/3.875
27.00	4735-41392-27	9	CW	3.50	1.29	2.21	2.562	3.500
27.00	4735-41392-29	9	CW	3.50	1.29	2.21	5.001	6.000
27.00	4735-41392-74	9	CW	3.50	1.29	2.21	4.000	4.478
27.00	4735-41393-27	9	CW	3.50	2.04	1.46	2.562	3.500
27.00	4735-41393-28	9	CW	3.50	2.04	1.46	3.250	3.810
27.00	4735-41393-29	9	CW	3.50	2.04	1.46	5.001	6.000
27.00	4735-41393-74	9	CW	3.50	2.04	1.46	4.000	4.478
27.00	4735-42599-96	10	CCW	2.90	2.10	0.93	1.002	1.97/2.360



27.00 – 28.00

Diameter	Part Number	Blades	Rot	PW	F-B	B-B	Pilot	Bolt Circle
27.00	4735-42600-59	10	CW	2.90	2.10	0.93	4.000	4.478
27.00	4735-42600-118	10	CW	2.90	2.10	0.93	4.921	5.750/6.00
27.00	4735-42621-25	9	CCW	3.60	0.54	2.96	1.002	1.97/2.360
27.00	4735-42621-26	9	CCW	3.60	0.54	2.96	2.000	3.500
27.00	4735-42621-27	9	CCW	3.60	0.54	2.96	2.562	3.500
27.00	4735-42621-28	9	CCW	3.60	0.54	2.96	3.250	3.810
27.00	4735-42621-29	9	CCW	3.60	0.54	2.96	5.001	6.000
27.00	4735-42622-25	9	CCW	3.60	1.29	2.21	1.002	1.97/2.360
27.00	4735-42622-26	9	CCW	3.60	1.29	2.21	2.000	3.500
27.00	4735-42622-27	9	CCW	3.60	1.29	2.21	2.562	3.500
27.00	4735-42622-28	9	CCW	3.60	1.29	2.21	3.250	3.800
27.00	4735-42622-29	9	CCW	3.60	1.29	2.21	5.001	6.000
27.00	4735-42622-74	9	CCW	3.60	1.29	2.21	4.000	4.478
27.00	4735-42623-25	9	CCW	3.60	2.04	1.46	1.002	1.97/2.360
27.00	4735-42623-26	9	CCW	3.60	2.04	1.46	2.000	3.500
27.00	4735-42623-27	9	CCW	3.60	2.04	1.46	2.562	3.500
27.00	4735-42623-28	9	CCW	3.60	2.04	1.46	3.250	3.810
27.00	4735-42623-29	9	CCW	3.60	2.04	1.46	5.001	6.000
27.00	4735-42623-74	9	CCW	3.60	2.04	1.46	4.000	4.478
27.00	4735-43439-69	8	CW	3.17	1.27	—	7.001	8.440
27.00	4735-43440-21	9	CW	3.79	1.50	2.18	2.562	3.500
27.00	4735-43440-22	9	CW	3.79	1.50	2.18	2.000	3.500
27.00	4735-43440-23	9	CW	3.79	1.50	2.18	5.001	6.000
27.00	4735-43440-24	9	CW	3.79	1.50	2.18	1.002	1.97/2.360
27.00	4735-43782-11	9	CW	3.65	1.35	2.3	2.562	3.500
27.00	4735-43783-13	9	CW	3.65	2.10	1.55	2.562	3.500
27.00	4735-43782-14	9	CW	3.65	1.35	2.30	2.000	3.500
27.16	4735-42904-76	8	CW	3.00	0.98	2.01	4.921	5.750/6.00
27.16	4735-42904-91	8	CW	3.00	0.98	2.01	4.921	5.750/6.00
27.17	4735-41135-65	8	CW	3.00	1.28	1.72	4.260	5.039
27.25	4735-35480-31	6	CW	2.83	1.85	0.98	2.562	3.500
27.25	4735-37494-27	8	CW	3.01	0.87	2.14	2.560	3.500
27.25	4735-42904-27	8	CW	3.00	0.98	2.01	2.562	3.500
27.50	4735-38164-87	8	CW	4.00	1.42	2.58	2.562	3.500
27.50	4735-41296-128	7	CCW	4.00	2.10	1.90	1.002	1.97/2.360
27.50	4735-41296-138	7	CCW	4.00	2.10	1.90	2.000	3.500
27.50	4735-41391-93	9	CW	3.50	0.54	2.96	4.921	5.750/6.00
27.50	4735-41393-58	9	CW	3.50	2.04	1.46	5.001	6.000
27.50	4735-41393-90	9	CW	3.50	2.04	1.46	5.001	6.000
27.50	4735-41393-93	9	CW	3.50	2.04	1.46	4.921	5.750/6.00
27.50	4735-42599-71	10	CCW	2.90	2.10	0.93	1.002	1.97/2.360
27.50	4735-42600-71	10	CW	2.90	2.10	0.93	1.002	1.97/2.360
27.50	4735-42621-90	9	CCW	3.60	0.54	2.96	5.001	6.000
27.50	4735-42621-93	9	CCW	3.60	0.54	2.96	4.921	5.750/6.00
27.50	4735-42622-90	9	CCW	3.60	1.29	2.21	5.001	6.000
27.50	4735-42622-93	9	CCW	3.60	1.29	2.21	4.921	5.750/6.00
27.50	4735-42623-90	9	CCW	3.60	2.04	1.46	5.001	6.000
27.50	4735-42623-93	9	CCW	3.60	2.04	1.46	4.921	5.750/6.00
27.56	4735-35828-170	7	CCW	2.72	1.42	1.30	4.921	5.750/6.00
27.56	4735-35828-176	7	CCW	2.72	1.42	1.30	4.488	5.197
27.56	4735-41134-55	8	CW	3.00	2.03	0.97	5.001	6.000
27.56	4735-41135-55	8	CW	3.00	1.28	1.72	5.001	6.000
27.56	4735-41135-59	8	CW	3.00	1.28	1.72	4.921	5.750/6.00
27.56	4735-41135-67	8	CW	3.00	1.28	1.72	4.260	5.039
27.56	4735-41296-131	7	CCW	4.00	2.10	1.90	2.000	3.500
27.56	4735-41391-90	9	CW	3.50	0.54	2.96	5.001	6.000
27.56	4735-41392-90	9	CW	3.50	1.29	2.21	5.001	6.000
27.56	4735-41393-115	9	CW	3.50	2.04	1.46	5.001	6.000
27.56	4735-42599-22	10	CCW	2.90	2.10	0.93	4.921	5.750/6.00
27.56	4735-42599-23	10	CCW	2.90	2.10	0.93	5.001	6.000
27.56	4735-42600-22	10	CW	2.90	2.10	0.93	4.921	5.750/6.00
27.56	4735-42600-23	10	CW	2.90	2.10	0.93	5.001	6.000
27.56	4735-42622-118	9	CCW	3.60	1.29	2.21	2.000	3.500
27.56	4735-43440-30	9	CW	3.79	1.50	2.18	1.614	2.500
27.56	4735-43783-20	9	CW	3.65	2.10	1.55	5.001	6.000
27.60	4735-42622-108	9	CCW	3.60	1.29	2.21	4.921	5.750/6.00
27.95	4735-42599-63	10	CCW	2.90	2.10	0.93	2.000	3.500
27.95	4735-42600-63	10	CW	2.90	2.10	0.93	2.000	3.500
27.95	4735-42904-105	8	CW	3.00	0.98	2.01	4.921	5.750/6.00
28.00	4735-35480-07	6	CW	2.83	1.85	0.98	5.001	6.000
28.00	4735-35480-10	6	CW	2.83	1.85	0.98	2.562	3.500
28.00	4735-35480-13	6	CW	2.83	1.85	0.98	4.921	5.750/6.00

FAN SPECS BY DIAMETER

Diameter	Part Number	Blades	Rot	PW	F-B	B-B	Pilot	Bolt Circle
28.00	4735-35480-18	6	CW	2.83	1.85	0.98	2.000	3.500
28.00	4735-35480-28	6	CW	2.83	1.85	0.98	2.053	3.50/3.875
28.00	4735-35480-30	6	CW	2.83	1.85	0.98	2.000	3.50/3.875
28.00	4735-35480-37	6	CW	2.83	1.85	0.98	3.687	4.625
28.00	4735-35828-12	7	CCW	2.72	1.42	1.30	2.562	3.500
28.00	4735-35828-17	7	CCW	2.72	1.42	1.30	5.001	6.000
28.00	4735-35828-23	7	CCW	2.72	1.42	1.30	4.501	5.500
28.00	4735-35828-27	7	CCW	2.72	1.42	1.30	3.687	4.625
28.00	4735-35828-36	7	CCW	2.72	1.42	1.30	2.000	3.50/3.875
28.00	4735-35828-53	7	CCW	2.72	1.42	1.30	1.002	1.97/2.360
28.00	4735-35828-95	7	CCW	2.72	1.42	1.30	2.053	3.50/3.875
28.00	4735-35828-166	7	CCW	2.72	1.42	1.30	3.858	4.724
28.00	4735-37494-05	8	CW	3.01	0.87	2.14	7.000	8.440
28.00	4735-37494-06	8	CW	3.01	0.87	2.14	2.000	3.50/3.875
28.00	4735-37494-09	8	CW	3.01	0.87	2.14	2.560	3.500
28.00	4735-37494-14	8	CW	3.01	0.87	2.14	2.050	3.50/3.875
28.00	4735-37494-28	8	CW	3.01	0.87	2.14	5.001	6.000
28.00	4735-37494-42	8	CW	3.01	0.87	2.14	1.002	1.97/2.36
28.00	4735-37494-57	8	CW	3.01	0.87	2.14	3.680	4.620
28.00	4735-38164-11	8	CW	4.00	1.42	2.58	2.000	3.50/3.875
28.00	4735-38164-12	8	CW	4.00	1.42	2.58	2.562	3.500
28.00	4735-38164-14	8	CW	4.00	1.42	2.58	5.001	6.000
28.00	4735-38164-20	8	CW	4.00	1.42	2.58	2.053	3.50/3.875
28.00	4735-38164-29	8	CW	4.00	1.42	2.58	1.002	1.97/2.360
28.00	4735-38164-34	8	CW	4.00	1.42	2.58	3.687	4.625
28.00	4735-38164-48	8	CW	4.00	1.42	2.58	2.000	3.500
28.00	4735-38585-07	8	CW	4.00	1.42	2.58	7.001	8.440
28.00	4735-38617-23	6	CW	2.83	1.85	0.98	5.001	6.000
28.00	4735-38617-24	6	CW	2.83	1.85	0.98	2.562	3.500
28.00	4735-38617-53	6	CW	2.83	1.85	0.98	2.000	3.50/3.875
28.00	4735-38825-10	6	CW	2.83	1.17	1.66	5.001	6.000
28.00	4735-38825-11	6	CW	2.83	1.17	1.66	2.562	3.500
28.00	4735-38825-51	6	CW	2.83	1.17	1.66	1.002	1.97/2.360
28.00	4735-38825-52	6	CW	2.83	1.17	1.66	2.000	3.50/3.875
28.00	4735-38825-53	6	CW	2.83	1.17	1.66	2.053	3.50/3.875
28.00	4735-38825-56	6	CW	2.83	1.17	1.66	4.000	4.478
28.00	4735-38825-83	6	CW	2.83	1.17	1.66	2.000	3.500
28.00	4735-41134-05	8	CW	3.00	2.03	0.97	2.562	3.500
28.00	4735-41134-06	8	CW	3.00	2.03	0.97	2.000	3.500
28.00	4735-41134-24	8	CW	3.00	2.03	0.97	5.001	6.000
28.00	4735-41134-56	8	CW	3.00	2.03	0.97	4.000	4.478
28.00	4735-41135-05	8	CW	3.00	1.28	1.72	2.562	3.500
28.00	4735-41135-21	8	CW	3.00	1.28	1.72	1.002	1.97/2.360
28.00	4735-41135-22	8	CW	3.00	1.28	1.72	2.000	3.500
28.00	4735-41135-23	8	CW	3.00	1.28	1.72	3.250	3.810
28.00	4735-41135-24	8	CW	3.00	1.28	1.72	5.001	6.000
28.00	4735-41296-01	7	CCW	4.00	2.10	1.90	2.187	3.000
28.00	4735-41296-05	7	CCW	4.00	2.10	1.90	2.000	3.500
28.00	4735-41296-09	7	CCW	4.00	2.10	1.90	1.002	1.97/2.360
28.00	4735-41296-112	7	CCW	4.00	2.10	1.90	2.562	3.500
28.00	4735-41296-114	7	CCW	4.00	2.10	1.90	4.000	4.478
28.00	4735-41391-05	9	CW	3.50	0.54	2.96	2.562	3.500
28.00	4735-41391-21	9	CW	3.50	0.54	2.96	1.002	1.97/2.360
28.00	4735-41391-22	9	CW	3.50	0.54	2.96	2.000	3.500
28.00	4735-41391-24	9	CW	3.50	0.54	2.96	5.001	6.000
28.00	4735-41391-64	9	CW	3.50	0.54	2.96	4.000	4.478
28.00	4735-41392-05	9	CW	3.50	1.29	2.21	2.562	3.500
28.00	4735-41392-21	9	CW	3.50	1.29	2.21	1.002	1.97/2.360
28.00	4735-41392-22	9	CW	3.50	1.29	2.21	2.000	3.500
28.00	4735-41392-24	9	CW	3.50	1.29	2.21	5.001	6.000
28.00	4735-41392-64	9	CW	3.50	1.29	2.21	4.000	4.478
28.00	4735-41392-81	9	CW	3.50	1.29	2.21	2.053	3.50/3.875
28.00	4735-41393-05	9	CW	3.50	2.04	1.46	2.562	3.500
28.00	4735-41393-21	9	CW	3.50	2.04	1.46	1.002	1.97/2.360
28.00	4735-41393-22	9	CW	3.50	2.04	1.46	2.000	3.500
28.00	4735-41393-24	9	CW	3.50	2.04	1.46	5.001	6.000
28.00	4735-41393-64	9	CW	3.50	2.04	1.46	4.000	4.478
28.00	4735-41393-81	9	CW	3.50	2.04	1.46	2.053	3.50/3.875
28.00	4735-41393-96	9	CW	3.50	2.04	1.46	4.921	5.750/6.00
28.00	4735-42622-119	9	CCW	3.60	1.29	2.21	3.743	4.700
28.00	4735-42622-120	9	CCW	3.60	1.29	2.21	1.500	2.600
28.00	4735-42599-14	10	CCW	2.90	2.10	0.93	1.002	1.97/2.360

FAN SPECS BY DIAMETER

# 28.00 – 28.35

Diameter	Part Number	Blades	Rot	PW	F-B	B-B	Pilot	Bolt Circle
28.00	4735-42599-15	10	CCW	2.90	2.10	0.93	1.500	Double
28.00	4735-42599-16	10	CCW	2.90	2.10	0.93	1.614	2.500
28.00	4735-42599-17	10	CCW	2.90	2.10	0.93	2.000	3.50/3.875
28.00	4735-42599-18	10	CCW	2.90	2.10	0.93	2.562	3.500
28.00	4735-42599-20	10	CCW	2.90	2.10	0.93	4.921	5.750/6.00
28.00	4735-42599-21	10	CCW	2.90	2.10	0.93	5.001	6.000
28.00	4735-42600-13	10	CW	2.90	2.10	0.93	5.001	6.000
28.00	4735-42600-14	10	CW	2.90	2.10	0.93	1.002	1.97/2.360
28.00	4735-42600-15	10	CW	2.90	2.10	0.93	1.500	Double
28.00	4735-42600-16	10	CW	2.90	2.10	0.93	1.614	2.500
28.00	4735-42600-17	10	CW	2.90	2.10	0.93	2.000	3.50/3.875
28.00	4735-42600-18	10	CW	2.90	2.10	0.93	2.562	3.500
28.00	4735-42600-19	10	CW	2.90	2.10	0.93	4.000	4.478
28.00	4735-42600-20	10	CW	2.90	2.10	0.93	4.921	5.750/6.00
28.00	4735-42600-21	10	CW	2.90	2.10	0.93	5.001	6.000
28.00	4735-42621-05	9	CCW	3.60	0.54	2.96	2.562	3.500
28.00	4735-42621-21	9	CCW	3.60	0.54	2.96	1.002	1.97/2.360
28.00	4735-42621-22	9	CCW	3.60	0.54	2.96	2.000	3.500
28.00	4735-42621-23	9	CCW	3.60	0.54	2.96	3.250	3.810
28.00	4735-42621-24	9	CCW	3.60	0.54	2.96	5.001	6.000
28.00	4735-42621-81	9	CCW	3.60	0.54	2.96	2.053	3.50/3.875
28.00	4735-42621-96	9	CCW	3.60	0.54	2.96	4.921	5.750/6.00
28.00	4735-42622-05	9	CCW	3.60	1.29	2.21	2.562	3.500
28.00	4735-42622-21	9	CCW	3.60	1.29	2.21	1.002	1.97/2.360
28.00	4735-42622-22	9	CCW	3.60	1.29	2.21	2.000	3.500
28.00	4735-42622-23	9	CCW	3.60	1.29	2.21	3.250	3.810
28.00	4735-42622-24	9	CCW	3.60	1.29	2.21	5.001	6.000
28.00	4735-42622-64	9	CCW	3.60	1.29	2.21	4.000	4.478
28.00	4735-42622-81	9	CCW	3.60	1.29	2.21	2.053	3.50/3.875
28.00	4735-42622-96	9	CCW	3.60	1.29	2.21	4.921	5.750/6.00
28.00	4735-42622-110	9	CCW	3.60	1.29	2.21	2.187	3.000
28.00	4735-42623-05	9	CCW	3.60	2.04	1.46	2.562	3.500
28.00	4735-42623-21	9	CCW	3.60	2.04	1.46	1.002	1.97/2.360
28.00	4735-42623-22	9	CCW	3.60	2.04	1.46	2.000	3.500
28.00	4735-42623-23	9	CCW	3.60	2.04	1.46	3.250	3.810
28.00	4735-42623-24	9	CCW	3.60	2.04	1.46	5.001	6.000
28.00	4735-42623-64	9	CCW	3.60	2.04	1.46	4.000	4.478
28.00	4735-42623-81	9	CCW	3.60	2.04	1.46	2.053	3.50/3.875
28.00	4735-42623-96	9	CCW	3.60	2.04	1.46	4.921	5.750/6.00
28.00	4735-42904-06	8	CW	3.00	0.98	2.01	2.000	3.50/3.875
28.00	4735-42904-09	8	CW	3.00	0.98	2.01	2.562	3.500
28.00	4735-42904-14	8	CW	3.00	0.98	2.01	2.053	3.50/3.875
28.00	4735-42904-28	8	CW	3.00	0.98	2.01	5.001	6.000
28.00	4735-42904-42	8	CW	3.00	0.98	2.01	1.002	1.97/2.360
28.00	4735-43439-05	8	CW	3.17	1.27	—	7.001	8.440
28.00	4735-43440-17	9	CW	3.79	1.50	2.18	2.562	3.500
28.00	4735-43440-18	9	CW	3.79	1.50	2.18	2.000	3.500
28.00	4735-43440-19	9	CW	3.79	1.50	2.18	5.001	6.000
28.00	4735-43440-20	9	CW	3.79	1.50	2.18	1.002	1.97/2.360
28.00	4735-43783-01	9	CW	3.65	2.10	1.55	5.001	6.000
28.00	4735-43783-02	9	CW	3.65	2.10	1.55	2.562	3.500
28.00	4735-43783-05	9	CW	3.65	2.10	1.55	5.001	6.000
28.00	4735-43783-06	9	CW	3.65	2.10	1.55	2.562	3.500
28.00	4735-43783-17	9	CW	3.65	2.10	1.55	2.000	3.500
28.00	010019804	9	CW	3.65	1.06	2.59	2.562	3.500
28.00	4735-43782-02	9	CW	3.65	1.35	2.30	2.562	3.500
28.00	010020423	9	CW	3.65	1.15	2.50	5.001	6.000
28.00	010020425	9	CW	3.65	1.15	2.50	5.001	6.000
28.00	010021062	11	CW	3.72	1.60	2.12	2.562	3.500
28.00	010016876	11	CW	3.72	1.57	2.15	7.001	8.436
28.00	4735-44002-08	11	CW	3.72	1.57	2.15	7.001	8.436
28.25	4735-37494-26	8	CW	3.01	0.87	2.14	2.560	3.500
28.30	4735-35828-136	7	CCW	2.72	1.42	1.30	2.562	3.500
28.34	4735-42622-114	9	CCW	3.60	1.29	2.21	2.562	3.500
28.35	4735-41135-58	8	CW	3.00	1.28	1.72	4.921	5.750/6.00
28.35	4735-41135-72	8	CW	3.00	1.28	1.72	2.562	3.500
28.35	4735-42476-71	8	CW	3.00	1.28	1.72	5.001	6.000
28.35	4735-42599-11	10	CCW	2.90	2.10	0.93	2.562	3.500
28.35	4735-42599-13	10	CCW	2.90	2.10	0.93	5.001	6.000
28.35	4735-42600-11	10	CW	2.90	2.10	0.93	2.562	3.500
28.35	4735-42622-89	9	CCW	3.60	1.29	2.21	4.000	4.478
28.35	4735-42623-89	9	CCW	3.60	2.04	1.46	4.000	4.478

FAN SPECS BY DIAMETER

Diameter	Part Number	Blades	Rot	PW	F-B	B-B	Pilot	Bolt Circle
28.43	4735-41392-114	9	CW	3.50	1.29	2.21	5.000	6.000
28.50	4735-41392-60	9	CW	3.50	1.29	2.21	2.000	3.500
28.50	4735-41392-95	9	CW	3.50	1.29	2.21	2.560	3.500
28.50	4735-41393-61	9	CW	3.50	2.04	1.46	2.562	3.500
28.50	4735-41495-01	9	CW	3.00	0.52	2.47	2.562	3.500
28.50	4735-41495-03	9	CW	3.00	0.52	2.47	5.001	6.000
28.50	4735-41497-01	9	CW	3.00	2.02	0.97	2.562	3.500
28.50	4735-41497-03	9	CW	3.00	2.02	0.97	5.001	6.000
28.50	4735-41497-11	9	CW	3.00	2.02	0.97	4.000	4.478
28.50	4735-41498-01	9	CW	3.00	1.27	1.72	2.562	3.500
28.50	4735-41498-11	9	CW	2.98	1.27	—	4.000	4.478
28.50	4735-42112-61	9	CW	3.13	1.29	2.08	2.562	3.500
28.50	4735-42113-61	9	CW	3.13	2.04	1.33	2.562	3.500
28.50	4735-42113-63	9	CW	3.13	2.04	1.33	5.001	6.000
28.50	4735-42621-59	9	CCW	3.60	0.54	2.96	1.002	1.97/2.360
28.50	4735-42621-60	9	CCW	3.60	0.54	2.96	2.000	3.500
28.50	4735-42621-61	9	CCW	3.60	0.54	2.96	2.562	3.500
28.50	4735-42621-62	9	CCW	3.60	0.54	2.96	3.250	3.810
28.50	4735-42621-63	9	CCW	3.60	0.54	2.96	5.001	6.000
28.50	4735-42622-59	9	CCW	3.60	1.29	2.21	1.002	1.97/2.360
28.50	4735-42622-60	9	CCW	3.60	1.29	2.21	2.000	3.500
28.50	4735-42622-62	9	CCW	3.60	1.29	2.21	3.250	3.800
28.50	4735-42622-63	9	CCW	3.60	1.29	2.21	5.001	6.000
28.50	4735-42623-59	9	CCW	3.60	2.04	1.46	1.002	1.97/2.360
28.50	4735-42623-60	9	CCW	3.60	2.04	1.46	2.000	3.500
28.50	4735-42623-61	9	CCW	3.60	2.04	1.46	2.562	3.500
28.50	4735-42623-62	9	CCW	3.60	2.04	1.46	3.250	3.810
28.50	4735-42623-63	9	CCW	3.60	2.04	1.46	5.001	6.010
28.50	4735-42904-95	8	CW	3.00	0.98	2.01	2.053	3.50/3.875
28.50	4735-42957-01	9	CW	2.99	—	—	2.562	3.500
28.50	4735-43329-01	9	CW	2.85	0.51	—	2.562	3.500
28.50	4735-43329-03	9	CW	2.85	0.51	—	5.001	6.000
28.50	4735-43330-01	9	CW	2.85	1.26	—	2.562	3.500
28.50	4735-43330-02	9	CW	2.85	1.26	—	2.000	3.500
28.50	4735-43330-11	9	CW	2.85	1.26	1.72	4.000	4.478
28.50	4735-43331-01	9	CW	2.85	2.01	—	2.562	3.500
28.50	4735-43331-03	9	CW	2.85	2.01	—	5.001	6.000
28.50	4735-43331-11	9	CW	2.85	2.01	—	4.000	4.478
28.53	4735-42599-12	10	CCW	2.90	2.10	0.93	4.921	5.750/6.00
28.53	4735-42600-12	10	CW	2.90	2.10	0.93	4.921	5.750/6.00
28.54	4735-42599-84	10	CCW	2.90	2.10	0.93	4.921	5.750/6.00
28.63	4735-41135-73	8	CW	3.00	1.28	1.72	1.002	1.97/2.360
28.94	4735-35828-190	7	CCW	2.72	1.42	1.30	4.921	5.750/6.00
29.00	4735-37494-70	8	CW	3.01	0.87	2.14	2.560	3.500
29.00	4735-37494-74	8	CW	3.01	0.87	2.14	2.000	3.50/3.875
29.00	4735-37494-79	8	CW	3.01	0.87	2.14	5.001	6.000
29.00	4735-38164-76	8	CW	4.00	1.42	2.58	2.562	3.500
29.00	4735-38825-74	6	CW	2.83	1.17	1.66	2.562	3.500
29.00	4735-38825-77	6	CW	2.83	1.17	1.66	5.001	6.000
29.00	4735-41135-03	8	CW	3.00	1.28	1.72	2.000	3.500
29.00	4735-41135-04	8	CW	3.00	1.28	1.72	2.562	3.500
29.00	4735-41135-17	8	CW	3.00	1.28	1.72	1.002	1.97/2.360
29.00	4735-41135-19	8	CW	3.00	1.28	1.72	3.250	3.810
29.00	4735-41135-20	8	CW	3.00	1.28	1.72	5.001	6.000
29.00	4735-41135-50	8	CW	3.00	1.28	1.72	5.250	6.000
29.00	4735-41391-04	9	CW	3.50	0.54	2.96	2.562	3.500
29.00	4735-41391-20	9	CW	3.50	0.54	2.96	5.001	6.000
29.00	4735-41392-04	9	CW	3.50	1.29	2.21	2.562	3.500
29.00	4735-41392-20	9	CW	3.50	1.29	2.21	5.001	6.000
29.00	4735-41393-03	9	CW	3.50	2.04	1.46	2.000	3.500
29.00	4735-41393-04	9	CW	3.50	2.04	1.46	2.562	3.500
29.00	4735-41393-20	9	CW	3.50	2.04	1.46	5.001	6.000
29.00	4735-41393-95	9	CW	3.50	2.04	1.46	2.187	3.000
29.00	4735-42113-04	9	CW	3.13	2.04	1.33	2.562	3.500
29.00	4735-42599-56	10	CCW	2.90	2.10	0.93	2.562	3.500
29.00	4735-42599-57	10	CCW	2.90	2.10	0.93	5.001	6.000
29.00	4735-42600-56	10	CW	2.90	2.10	0.93	2.562	3.500
29.00	4735-42600-57	10	CW	2.90	2.10	0.93	5.001	6.000
29.00	4735-42600-99	10	CW	2.90	2.10	0.93	2.000	3.500
29.00	4735-42621-03	9	CCW	3.60	0.54	2.96	2.000	3.500
29.00	4735-42621-04	9	CCW	3.60	0.54	2.96	2.562	3.500
29.00	4735-42621-17	9	CCW	3.60	0.54	2.96	1.002	1.97/2.360

FAN SPECS BY DIAMETER

29.00 – 30.00

Diameter	Part Number	Blades	Rot	PW	F-B	B-B	Pilot	Bolt Circle
29.00	4735-42621-19	9	CCW	3.60	0.54	2.96	3.250	3.810
29.00	4735-42621-20	9	CCW	3.60	0.54	2.96	5.001	6.000
29.00	4735-42622-03	9	CCW	3.60	1.29	2.21	2.000	3.500
29.00	4735-42622-04	9	CCW	3.60	1.29	2.21	2.562	3.500
29.00	4735-42622-17	9	CCW	3.60	1.29	2.21	1.002	1.97/2.360
29.00	4735-42622-19	9	CCW	3.60	1.29	2.21	3.250	3.810
29.00	4735-42622-20	9	CCW	3.60	1.29	2.21	5.001	6.000
29.00	4735-42622-75	9	CCW	3.60	1.29	2.21	4.000	4.478
29.00	4735-42623-03	9	CCW	3.60	2.04	1.46	2.000	3.500
29.00	4735-42623-04	9	CCW	3.60	2.04	1.46	2.562	3.500
29.00	4735-42623-17	9	CCW	3.60	2.04	1.46	1.002	1.97/2.360
29.00	4735-42623-19	9	CCW	3.60	2.04	1.46	3.250	3.810
29.00	4735-42623-20	9	CCW	3.60	2.04	1.46	5.001	6.000
29.00	4735-42623-75	9	CCW	3.60	2.04	1.46	4.000	4.478
29.00	4735-42904-70	8	CW	3.00	0.98	2.01	2.562	3.500
29.00	4735-42904-102	8	CW	3.00	0.98	2.01	5.001	2.000
29.00	4735-43440-13	9	CW	3.79	1.50	2.18	2.562	3.500
29.00	4735-43440-14	9	CW	3.79	1.50	2.18	2.000	3.500
29.00	4735-43440-15	9	CW	3.79	1.50	2.18	5.001	6.000
29.00	4735-43440-16	9	CW	3.79	1.50	2.18	1.002	1.97/2.360
29.13	4735-42599-64	10	CCW	2.90	2.10	0.93	2.000	3.500
29.13	4735-42600-64	10	CW	2.90	2.10	0.93	2.000	3.500
29.50	4735-35480-26	6	CW	2.83	1.85	0.98	5.001	6.000
29.50	4735-35480-118	6	CW	2.83	1.85	0.98	4.921	5.750/6.00
29.50	4735-41134-49	8	CW	3.00	2.03	0.97	5.001	6.000
29.50	4735-41134-69	8	CW	3.00	2.03	0.97	2.000	3.500
29.50	4735-41134-70	8	CW	3.00	2.03	0.97	2.562	3.500
29.50	4735-41135-18	8	CW	3.00	1.28	1.72	2.000	3.500
29.50	4735-41135-66	8	CW	3.00	1.28	1.72	2.562	3.500
29.50	4735-41135-68	8	CW	3.00	1.28	1.72	5.001	6.000
29.50	4735-41391-58	9	CW	3.50	0.54	2.96	5.001	6.000
29.50	4735-41392-58	9	CW	3.50	1.29	2.21	5.001	6.000
29.50	4735-41392-113	9	CW	3.50	1.29	2.21	2.560	3.500
29.50	4735-41393-117	9	CW	3.50	2.04	1.46	2.560	3.500
29.50	4735-42113-56	9	CW	3.13	2.04	1.33	2.562	3.500
29.50	4735-42621-18	9	CCW	3.60	0.54	2.96	2.000	3.500
29.50	4735-42621-55	9	CCW	3.60	0.54	2.96	1.002	1.97/2.360
29.50	4735-42621-56	9	CCW	3.60	0.54	2.96	2.562	3.500
29.50	4735-42621-57	9	CCW	3.60	0.54	2.96	3.250	3.810
29.50	4735-42621-58	9	CCW	3.60	0.54	2.96	5.001	6.000
29.50	4735-42621-66	9	CCW	3.60	0.54	2.96	4.921	5.750/6.00
29.50	4735-42622-18	9	CCW	3.60	1.29	2.21	2.000	3.500
29.50	4735-42622-55	9	CCW	3.60	1.29	2.21	1.002	1.97/2.360
29.50	4735-42622-56	9	CCW	3.60	1.29	2.21	2.562	3.500
29.50	4735-42622-57	9	CCW	3.60	1.29	2.21	3.250	3.800
29.50	4735-42622-58	9	CCW	3.60	1.29	2.21	5.001	6.000
29.50	4735-42622-66	9	CCW	3.60	1.29	2.21	4.921	5.750/6.00
29.50	4735-42623-18	9	CCW	3.60	2.04	1.46	2.000	3.500
29.50	4735-42623-55	9	CCW	3.60	2.04	1.46	1.002	1.97/2.360
29.50	4735-42623-56	9	CCW	3.60	2.04	1.46	2.562	3.500
29.50	4735-42623-57	9	CCW	3.60	2.04	1.46	3.250	3.810
29.50	4735-42623-58	9	CCW	3.60	2.04	1.46	5.001	6.000
29.50	4735-42623-66	9	CCW	3.60	2.04	1.46	4.921	5.750/6.00
29.50	4735-43439-87	8	CW	3.17	1.27	—	7.001	8.440
28.52	4735-44000-02	11	CW	3.72	1.56	2.16	2.562	3.500
29.53	010011285	11	CW	3.72	0.82	2.9	2.562	3.500
29.53	4735-44002-07	11	CW	3.72	1.57	2.15	2.562	3.500
29.53	010011077	11	CW	3.72	2.32	1.4	2.562	3.500
29.53	4735-35480-130	6	CW	2.83	1.85	0.98	2.000	3.500
29.53	4735-42599-09	10	CCW	2.90	2.10	0.93	1.614	2.500
29.53	4735-42599-10	10	CCW	2.90	2.10	0.93	4.921	5.750/6.00
29.53	4735-42600-09	10	CW	2.90	2.10	0.93	1.614	2.500
29.53	4735-42600-10	10	CW	2.90	2.10	0.93	4.921	5.750/6.00
29.53	4735-42600-86	10	CW	2.90	2.10	0.93	2.562	3.500
29.53	4735-42600-87	10	CW	2.90	2.10	0.93	2.000	3.500
29.53	4735-42600-88	10	CW	2.90	2.10	0.93	5.001	6.000
29.53	4735-42904-106	8	CW	3.00	0.98	2.01	2.560	3.500
29.62	010019703	11	CW	3.72	1.60	2.12	2.562	3.500
29.72	4735-35828-192	7	CCW	2.72	1.42	1.30	4.921	5.750/6.00
30.00	4035-37494-46	8	CW	2.80	1.27	1.72	7.001	8.440
30.00	4735-35480-05	6	CW	2.83	1.85	0.98	2.562	3.500
30.00	4735-35480-06	6	CW	2.83	1.85	0.98	2.000	3.500

FAN SPECS BY DIAMETER

Diameter	Part Number	Blades	Rot	PW	F-B	B-B	Pilot	Bolt Circle
30.00	4735-35480-24	6	CW	2.83	1.85	0.98	3.687	4.625
30.00	4735-35480-33	6	CW	2.83	1.85	0.98	5.001	6.000
30.00	4735-35480-76	6	CW	2.83	1.85	0.98	2.000	3.50/3.875
30.00	4735-35828-01	7	CCW	2.72	1.42	1.30	4.501	5.500
30.00	4735-35828-13	7	CCW	2.72	1.42	1.30	2.562	3.500
30.00	4735-35828-21	7	CCW	2.72	1.42	1.30	2.562	3.500
30.00	4735-35828-32	7	CCW	2.72	1.42	1.30	2.000	3.50/3.875
30.00	4735-35828-39	7	CCW	2.72	1.42	1.30	3.687	4.625
30.00	4735-35828-54	7	CCW	2.72	1.42	1.30	1.002	1.97/2.360
30.00	4735-35828-97	7	CCW	2.72	1.42	1.30	2.053	3.50/3.875
30.00	4735-35828-98	7	CCW	2.72	1.42	1.30	4.000	4.478
30.00	4735-35828-99	7	CCW	2.72	1.42	1.30	5.001	6.000
30.00	4735-35828-121	7	CCW	2.72	1.42	1.30	2.187	3.000
30.00	4735-35828-147	7	CCW	2.72	1.42	1.30	1.002	1.730
30.00	4735-35828-148	7	CCW	2.72	1.42	1.30	3.001	5.500
30.00	4735-35828-175	7	CCW	2.72	1.42	1.30	4.254	5.040
30.00	4735-37494-03	8	CW	3.01	0.87	2.14	7.000	8.440
30.00	4735-37494-04	8	CW	3.01	0.87	2.14	2.000	3.50/3.875
30.00	4735-37494-08	8	CW	3.01	0.87	2.14	2.560	3.500
30.00	4735-37494-13	8	CW	3.01	0.87	2.14	2.050	3.50/3.875
30.00	4735-37494-19	8	CW	3.01	0.87	2.14	5.001	6.000
30.00	4735-37494-21	8	CW	3.01	0.87	2.14	3.680	4.620
30.00	4735-37494-43	8	CW	3.01	0.87	2.14	1.002	1.97/2.36
30.00	4735-38164-06	8	CW	4.00	1.42	2.58	2.000	3.50/3.875
30.00	4735-38164-07	8	CW	4.00	1.42	2.58	2.560	3.500
30.00	4735-38164-08	8	CW	4.00	1.42	2.58	3.687	4.625
30.00	4735-38164-09	8	CW	4.00	1.42	2.58	5.001	6.000
30.00	4735-38164-19	8	CW	4.00	1.42	2.58	2.053	3.50/3.875
30.00	4735-38164-30	8	CW	4.00	1.42	2.58	1.002	1.97/2.360
30.00	4735-38164-50	8	CW	4.00	1.42	2.58	2.000	3.500
30.00	4735-38164-80	8	CW	4.00	1.42	2.58	2.562	3.500
30.00	4735-38585-02	8	CW	4.00	1.42	2.58	7.001	8.440
30.00	4735-38617-05	6	CW	2.83	1.85	0.98	5.001	6.000
30.00	4735-38617-10	6	CW	2.83	1.85	0.98	2.000	3.500
30.00	4735-38617-11	6	CW	2.83	1.85	0.98	2.562	3.500
30.00	4735-38617-12	6	CW	2.83	1.85	0.98	5.001	6.000
30.00	4735-38617-30	6	CW	2.83	1.85	0.98	2.000	3.500
30.00	4735-38825-01	6	CW	2.83	1.17	1.66	5.001	6.000
30.00	4735-38825-05	6	CW	2.83	1.17	1.66	2.560	3.500
30.00	4735-38825-09	6	CW	2.83	1.17	1.66	2.000	3.500
30.00	4735-38825-58	6	CW	2.83	1.17	1.66	1.002	1.97/2.360
30.00	4735-38825-59	6	CW	2.83	1.17	1.66	2.000	3.50/3.875
30.00	4735-38825-62	6	CW	2.83	1.17	1.66	4.000	4.478
30.00	4735-38825-73	6	CW	2.83	1.17	1.66	2.562	3.500
30.00	4735-41134-01	8	CW	3.00	2.03	0.97	2.562	3.500
30.00	4735-41134-02	8	CW	3.00	2.03	0.97	2.000	3.50/3.875
30.00	4735-41134-04	8	CW	3.00	2.03	0.97	2.000	3.50/3.875
30.00	4735-41134-13	8	CW	3.00	2.03	0.97	5.001	6.000
30.00	4735-41135-01	8	CW	3.00	1.28	1.72	2.562	3.500
30.00	4735-41135-02	8	CW	3.00	1.28	1.72	2.000	3.500
30.00	4735-41135-14	8	CW	3.00	1.28	1.72	1.002	1.97/2.360
30.00	4735-41135-15	8	CW	3.00	1.28	1.72	3.250	3.810
30.00	4735-41135-16	8	CW	3.00	1.28	1.72	5.001	6.000
30.00	4735-41135-52	8	CW	3.00	1.28	1.72	2.053	3.50/3.875
30.00	4735-41135-54	8	CW	3.00	1.28	1.72	3.864	4.610
30.00	4735-41391-01	9	CW	3.50	0.54	2.96	2.562	3.500
30.00	4735-41391-02	9	CW	3.50	0.54	2.96	2.000	3.500
30.00	4735-41391-14	9	CW	3.50	0.54	2.96	1.002	1.97/2.360
30.00	4735-41391-16	9	CW	3.50	0.54	2.96	5.001	6.000
30.00	4735-41391-76	9	CW	3.50	0.54	2.96	4.000	4.478
30.00	4735-41391-80	9	CW	3.50	0.54	2.96	2.187	3.000
30.00	4735-41391-84	9	CW	3.50	0.54	2.96	2.053	3.50/3.875
30.00	4735-41392-01	9	CW	3.50	1.29	2.21	2.562	3.500
30.00	4735-41392-02	9	CW	3.50	1.29	2.21	2.000	3.50/3.875
30.00	4735-41392-14	9	CW	3.50	1.29	2.21	1.002	1.97/2.360
30.00	4735-41392-15	9	CW	3.50	1.29	2.21	3.250	3.810
30.00	4735-41392-16	9	CW	3.50	1.29	2.21	5.001	6.000
30.00	4735-41392-76	9	CW	3.50	1.29	2.21	4.000	4.478
30.00	4735-41392-84	9	CW	3.50	1.29	2.21	2.053	3.50/3.875
30.00	4735-41393-01	9	CW	3.50	2.04	1.46	2.562	3.500
30.00	4735-41393-02	9	CW	3.50	2.04	1.46	2.000	3.500
30.00	4735-41393-14	9	CW	3.50	2.04	1.46	1.002	1.97/2.360

# 30.00 – 30.00

Diameter	Part Number	Blades	Rot	PW	F-B	B-B	Pilot	Bolt Circle
30.00	4735-41393-16	9	CW	3.50	2.04	1.46	5.001	6.000
30.00	4735-41393-75	9	CW	3.50	2.04	1.46	4.000	4.478
30.00	4735-41393-76	9	CW	3.50	2.04	1.46	4.000	4.478
30.00	4735-41393-80	9	CW	3.50	2.04	1.46	2.187	3.000
30.00	4735-41393-84	9	CW	3.50	2.04	1.46	2.053	3.50/3.875
30.00	4735-41393-101	9	CW	3.50	2.04	1.46	4.921	5.750/6.00
30.00	4735-42111-02	9	CW	3.13	0.54	2.83	2.000	3.500
30.00	4735-42112-01	9	CW	3.13	1.29	2.08	2.562	3.500
30.00	4735-42112-02	9	CW	3.13	1.29	2.08	2.000	3.500
30.00	4735-42113-01	9	CW	3.13	2.04	1.33	2.562	3.500
30.00	4735-42599-01	10	CCW	2.90	2.10	0.93	1.002	1.97/2.360
30.00	4735-42599-02	10	CCW	2.90	2.10	0.93	1.500	Double
30.00	4735-42599-03	10	CCW	2.90	2.10	0.93	1.614	2.500
30.00	4735-42599-04	10	CCW	2.90	2.10	0.93	2.000	3.50/3.875
30.00	4735-42599-05	10	CCW	2.90	2.10	0.93	2.562	3.500
30.00	4735-42599-07	10	CCW	2.90	2.10	0.93	4.921	5.750/6.00
30.00	4735-42599-08	10	CCW	2.90	2.10	0.93	5.001	6.000
30.00	4735-42599-68	10	CCW	2.90	2.10	0.93	2.187	3.000
30.00	4735-42599-75	10	CCW	2.90	2.10	0.93	3.687	4.625
30.00	4735-42600-01	10	CW	2.90	2.10	0.93	1.002	1.97/2.360
30.00	4735-42600-02	10	CW	2.90	2.10	0.93	1.500	Double
30.00	4735-42600-03	10	CW	2.90	2.10	0.93	1.614	2.500
30.00	4735-42600-04	10	CW	2.90	2.10	0.93	2.000	3.50/3.875
30.00	4735-42600-05	10	CW	2.90	2.10	0.93	2.562	3.500
30.00	4735-42600-06	10	CW	2.90	2.10	0.93	4.000	4.478
30.00	4735-42600-07	10	CW	2.90	2.10	0.93	4.921	5.750/6.00
30.00	4735-42600-08	10	CW	2.90	2.10	0.93	5.001	6.000
30.00	4735-42600-68	10	CW	2.90	2.10	0.93	2.187	3.000
30.00	4735-42600-75	10	CW	2.90	2.10	0.93	3.687	4.625
30.00	4735-42600-113	10	CW	2.90	2.10	0.93	3.000	5.250
30.00	010011655	11	CW	3.72	2.31	1.41	2.000	3.500
30.00	010020201	11	CW	3.72	1.60	2.12	2.562	3.500
30.00	4735-44003-04	11	CW	3.72	2.31	1.41	2.562	3.500
30.00	4735-44003-11	11	CW	3.72	2.31	1.41	2.562	3.500
30.00	4735-44003-14	11	CW	3.72	2.31	1.41	2.562	3.500
30.00	4735-44002-04	11	CW	3.72	1.57	2.15	2.562	3.500
30.00	010011084	11	CW	3.72	2.31	1.41	2.562	3.500
30.00	010019703	11	CW	3.72	1.60	2.12	2.562	3.500
30.00	4735-44003-16	11	CW	3.72	2.31	1.41	5.001	6.000
30.00	010020940	11	CW	3.72	1.57	2.15	5.001	6.000
30.00	4735-42621-01	9	CCW	3.60	0.54	2.96	2.562	3.500
30.00	4735-42621-02	9	CCW	3.60	0.54	2.96	2.000	3.500
30.00	4735-42621-14	9	CCW	3.60	0.54	2.96	1.002	1.97/2.360
30.00	4735-42621-15	9	CCW	3.60	0.54	2.96	3.250	3.810
30.00	4735-42621-16	9	CCW	3.60	0.54	2.96	5.001	6.000
30.00	4735-42621-84	9	CCW	3.60	0.54	2.96	2.053	3.50/3.875
30.00	4735-42621-101	9	CCW	3.60	0.54	2.96	4.921	5.750/6.00
30.00	4735-42622-01	9	CCW	3.60	1.29	2.21	2.562	3.500
30.00	4735-42622-02	9	CCW	3.60	1.29	2.21	2.000	3.500
30.00	4735-42622-14	9	CCW	3.60	1.29	2.21	1.002	1.97/2.360
30.00	4735-42622-15	9	CCW	3.60	1.29	2.21	3.250	3.810
30.00	4735-42622-16	9	CCW	3.60	1.29	2.21	5.001	6.000
30.00	4735-42622-76	9	CCW	3.60	1.29	2.21	4.000	4.478
30.00	4735-42622-84	9	CCW	3.60	1.29	2.21	2.053	3.50/3.875
30.00	4735-42622-111	9	CCW	3.60	1.29	2.21	3.750	4.625
30.00	4735-42622-112	9	CCW	3.60	1.29	2.21	1.889	2.840
30.00	4735-42623-01	9	CCW	3.60	2.04	1.46	2.562	3.500
30.00	4735-42623-02	9	CCW	3.60	2.04	1.46	2.000	3.500
30.00	4735-42623-14	9	CCW	3.60	2.04	1.46	1.002	1.97/2.360
30.00	4735-42623-15	9	CCW	3.60	2.04	1.46	3.250	3.810
30.00	4735-42623-16	9	CCW	3.60	2.04	1.46	5.001	6.000
30.00	4735-42623-76	9	CCW	3.60	2.04	1.46	4.000	4.478
30.00	4735-42623-84	9	CCW	3.60	2.04	1.46	2.053	3.50/3.875
30.00	4735-42623-101	9	CCW	3.60	2.04	1.46	4.921	5.750/6.00
30.00	4735-42904-04	8	CW	3.00	0.98	2.01	2.000	3.50/3.875
30.00	4735-42904-08	8	CW	3.00	0.98	2.01	2.562	3.500
30.00	4735-42904-13	8	CW	3.00	0.98	2.01	2.053	3.50/3.875
30.00	4735-42904-19	8	CW	3.00	0.98	2.01	5.001	6.000
30.00	4735-42904-21	8	CW	3.00	0.98	2.01	3.687	4.625
30.00	4735-42904-43	8	CW	3.00	0.98	2.01	1.002	1.97/2.360
30.00	4735-42904-71	8	CW	3.00	0.98	2.01	2.562	3.500
30.00	4735-42904-100	8	CW	3.00	0.98	2.01	3.003	4.250

FAN SPECS BY DIAMETER

Diameter	Part Number	Blades	Rot	PW	F-B	B-B	Pilot	Bolt Circle
30.00	4735-42904-104	8	CW	3.00	0.98	2.01	2.000	3.500
30.00	4735-43439-03	8	CW	3.17	1.27	1.76	7.001	8.440
30.00	4735-43440-09	9	CW	3.79	1.50	2.18	2.562	3.500
30.00	4735-43440-10	9	CW	3.79	1.50	2.18	2.000	3.500
30.00	4735-43440-11	9	CW	3.79	1.50	2.18	5.001	6.000
30.00	4735-43440-12	9	CW	3.79	1.50	2.18	1.002	1.97/2.360
30.00	4735-43440-29	9	CW	3.79	1.50	2.18	2.053	3.500
30.00	4735-42111-09	9	CW	3.13	0.54	2.83	2.562	3.500
31.00	4735-35480-125	6	CW	2.83	1.85	0.98	2.562	3.500
31.00	4735-35480-131	6	CW	2.83	1.85	0.98	2.000	3.500
31.00	4735-38825-75	6	CW	2.83	1.17	1.66	2.562	3.500
31.00	4735-41134-46	8	CW	3.00	2.03	0.97	2.562	3.500
31.00	4735-41134-47	8	CW	3.00	2.03	0.97	5.001	6.000
31.00	4735-41134-68	8	CW	3.00	2.03	0.97	2.000	3.500
31.00	4735-41135-10	8	CW	3.00	1.28	1.72	1.002	1.97/2.360
31.00	4735-41135-11	8	CW	3.00	1.28	1.72	2.000	3.500
31.00	4735-41135-12	8	CW	3.00	1.28	1.72	2.562	3.500
31.00	4735-41135-13	8	CW	3.00	1.28	1.72	5.001	6.000
31.00	4735-41391-12	9	CW	3.50	0.54	2.96	2.562	3.500
31.00	4735-41392-10	9	CW	3.50	1.29	2.21	1.002	1.97/2.360
31.00	4735-41392-11	9	CW	3.50	1.29	2.21	2.000	3.500
31.00	4735-41393-11	9	CW	3.50	2.04	1.46	2.000	3.500
31.00	4735-41393-12	9	CW	3.50	2.04	1.46	2.562	3.500
31.00	4735-41393-13	9	CW	3.50	2.04	1.46	5.001	6.000
31.00	4735-41393-100	9	CW	3.50	2.04	1.46	2.053	3.50/3.875
31.00	4735-41393-107	9	CW	3.50	2.04	1.46	2.053	3.875/6.00
31.00	4735-42112-12	9	CW	3.13	1.29	2.08	2.562	3.500
31.00	4735-42113-12	9	CW	3.13	2.04	1.33	2.562	3.500
31.00	4735-42113-13	9	CW	3.13	2.04	1.33	5.001	6.000
31.00	4735-42137-13	8	CW	3.00	0.53	2.47	5.001	6.000
31.00	4735-42137-46	8	CW	3.00	0.53	2.47	2.562	3.500
31.00	4735-42621-10	9	CCW	3.60	0.54	2.96	1.002	1.97/2.360
31.00	4735-42621-11	9	CCW	3.60	0.54	2.96	2.000	3.500
31.00	4735-42621-12	9	CCW	3.60	0.54	2.96	2.562	3.500
31.00	4735-42621-13	9	CCW	3.60	0.54	2.96	5.001	6.000
31.00	4735-42621-100	9	CCW	3.60	0.54	2.96	2.053	3.50/3.875
31.00	4735-42622-10	9	CCW	3.60	1.29	2.21	1.002	1.97/2.360
31.00	4735-42622-11	9	CCW	3.60	1.29	2.21	2.000	3.500
31.00	4735-42622-12	9	CCW	3.60	1.29	2.21	2.562	3.500
31.00	4735-42622-13	9	CCW	3.60	1.29	2.21	5.001	6.000
31.00	4735-42622-100	9	CCW	3.60	1.29	2.21	2.053	3.50/3.875
31.00	4735-42623-10	9	CCW	3.60	2.04	1.46	1.002	1.97/2.360
31.00	4735-42623-11	9	CCW	3.60	2.04	1.46	2.000	3.500
31.00	4735-42623-12	9	CCW	3.60	2.04	1.46	2.562	3.500
31.00	4735-42623-13	9	CCW	3.60	2.04	1.46	5.001	6.000
31.00	4735-42623-100	9	CCW	3.60	2.04	1.46	2.053	3.50/3.875
31.00	4735-42904-101	8	CW	3.00	0.98	2.01	2.000	3.500
31.00	4735-43440-05	9	CW	3.79	1.50	2.18	2.562	3.500
31.00	4735-43440-06	9	CW	3.79	1.50	2.18	2.000	3.500
31.00	4735-43440-07	9	CW	3.79	1.50	2.18	5.001	6.000
31.00	4735-43440-08	9	CW	3.79	1.50	2.18	1.002	1.97/2.360
31.00	010011667	11	CW	3.72	1.60	2.12	2.562	3.500
31.00	4735-44003-13	11	CW	3.72	2.31	1.41	2.562	3.500
31.00	4735-44003-15	11	CW	3.72	2.31	1.41	2.562	3.500
31.00	010011644	11	CW	3.72	2.31	1.41	2.562	3.500
31.50	4735-35828-125	7	CCW	2.72	1.42	1.30	2.000	3.50/3.875
31.50	4735-35828-184	7	CCW	2.72	1.42	1.30	4.921	5.750/6.00
31.50	4735-35828-195	7	CCW	2.72	1.42	1.30	1.002	1.96/2.36
31.50	4735-41392-86	9	CW	3.50	1.29	2.21	2.000	3.500
31.50	4735-41393-86	9	CW	3.50	2.04	1.46	2.000	3.500
31.50	4735-42621-86	9	CCW	3.60	0.54	2.96	2.000	3.500
31.50	4735-42621-99	9	CCW	3.60	0.54	2.96	2.562	3.500
31.50	4735-42622-86	9	CCW	3.60	1.29	2.21	2.000	3.500
31.50	4735-42622-99	9	CCW	3.60	1.29	2.21	2.562	3.500
31.50	4735-42623-86	9	CCW	3.60	2.04	1.46	2.000	3.500
31.50	4735-42623-99	9	CCW	3.60	2.04	1.46	2.562	3.500
31.50	4735-43440-33	9	CW	3.79	1.50	2.18	2.000	3.500
31.50	4735-44003-13	11	CW	3.72	2.31	1.41	2.562	3.500
31.50	010011083	11	CW	3.72	2.31	1.41	2.562	3.500
31.53	4735-42621-107	9	CCW	3.60	0.54	2.96	2.053	3.875/6.00
31.53	4735-42622-107	9	CCW	3.60	1.29	2.21	2.053	3.875/6.00
31.53	4735-42623-107	9	CCW	3.60	2.04	1.46	2.053	3.50/3.875

FAN SPECS BY DIAMETER



# 32.00 – 32.00

Diameter	Part Number	Blades	Rot	PW	F-B	B-B	Pilot	Bolt Circle
32.00	4735-35480-01	6	CW	2.83	1.85	0.98	2.562	3.500
32.00	4735-35480-02	6	CW	2.83	1.85	0.98	2.000	3.500
32.00	4735-35480-03	6	CW	2.83	1.85	0.98	5.001	6.000
32.00	4735-35480-04	6	CW	2.83	1.85	0.98	3.687	4.625
32.00	4735-35480-11	6	CW	2.83	1.85	0.98	4.921	5.750/6.00
32.00	4735-35480-27	6	CW	2.83	1.85	0.98	2.000	3.50/3.875
32.00	4735-35480-34	6	CW	2.83	1.85	0.98	2.053	3.50/3.875
32.00	4735-35828-07	7	CCW	2.72	1.42	1.30	2.562	3.500
32.00	4735-35828-08	7	CCW	2.72	1.42	1.30	2.053	3.50/3.875
32.00	4735-35828-20	7	CCW	2.72	1.42	1.30	4.501	5.500
32.00	4735-35828-26	7	CCW	2.72	1.42	1.30	3.687	4.625
32.00	4735-35828-34	7	CCW	2.72	1.42	1.30	2.000	3.50/3.875
32.00	4735-35828-37	7	CCW	2.72	1.42	1.30	5.001	6.000
32.00	4735-35828-50	7	CCW	2.72	1.42	1.30	3.001	5.250
32.00	4735-35828-55	7	CCW	2.72	1.42	1.30	1.002	1.97/2.360
32.00	4735-35828-62	7	CCW	2.72	1.42	1.30	3.687	4.625
32.00	4735-35828-155	7	CCW	2.72	1.42	1.30	4.254	5.040
32.00	4735-37494-01	8	CW	3.01	0.87	2.14	7.001	8.440
32.00	4735-37494-02	8	CW	3.01	0.87	2.14	2.000	3.50/3.875
32.00	4735-37494-07	8	CW	3.01	0.87	2.14	2.560	3.500
32.00	4735-37494-10	8	CW	3.01	0.87	2.14	5.001	6.000
32.00	4735-37494-12	8	CW	3.01	0.87	2.14	2.050	3.50/3.875
32.00	4735-37494-32	8	CW	3.01	0.87	2.14	3.680	4.620
32.00	4735-37494-44	8	CW	3.01	0.87	2.14	1.002	1.97/2.36
32.00	4735-38164-01	8	CW	4.00	1.42	2.58	2.000	3.500
32.00	4735-38164-02	8	CW	4.00	1.42	2.58	2.562	3.500
32.00	4735-38164-03	8	CW	4.00	1.42	2.58	3.687	4.625
32.00	4735-38164-04	8	CW	4.00	1.42	2.58	5.001	6.000
32.00	4735-38164-18	8	CW	4.00	1.42	2.58	2.053	3.50/3.875
32.00	4735-38164-21	8	CW	4.00	1.42	2.58	4.921	5.750/6.00
32.00	4735-38164-31	8	CW	4.00	1.42	2.58	1.002	1.97/2.360
32.00	4735-38164-101	8	CW	4.00	1.42	2.58	3.001	5.500
32.00	4735-38585-05	8	CW	4.00	1.42	2.58	7.001	8.440
32.00	4735-38617-15	6	CW	2.83	1.85	0.98	2.000	3.500
32.00	4735-38617-16	6	CW	2.83	1.85	0.98	2.562	3.500
32.00	4735-38617-18	6	CW	2.83	1.85	0.98	5.001	6.000
32.00	4735-38617-33	6	CW	2.83	1.85	0.98	2.000	3.50/3.875
32.00	4735-38825-02	6	CW	2.83	1.17	1.66	5.001	6.000
32.00	4735-38825-03	6	CW	2.83	1.17	1.66	2.562	3.500
32.00	4735-38825-04	6	CW	2.83	1.17	1.66	2.000	3.500
32.00	4735-38825-64	6	CW	2.83	1.17	1.66	1.002	1.97/2.360
32.00	4735-38825-65	6	CW	2.83	1.17	1.66	2.000	3.50/3.875
32.00	4735-41134-41	8	CW	3.00	2.03	0.97	2.000	3.500
32.00	4735-41134-42	8	CW	3.00	2.03	0.97	2.562	3.500
32.00	4735-41134-43	8	CW	3.00	2.03	0.97	5.001	6.000
32.00	4735-41135-06	8	CW	3.00	1.28	1.72	1.002	1.97/2.360
32.00	4735-41135-07	8	CW	3.00	1.28	1.72	2.000	3.500
32.00	4735-41135-08	8	CW	3.00	1.28	1.72	2.562	3.500
32.00	4735-41135-09	8	CW	3.00	1.28	1.72	5.001	6.000
32.00	4735-41135-49	8	CW	3.00	1.28	1.72	2.053	3.50/3.875
32.00	4735-41391-07	9	CW	3.50	0.54	2.96	2.000	3.500
32.00	4735-41391-08	9	CW	3.50	0.54	2.96	2.562	3.500
32.00	4735-41391-09	9	CW	3.50	0.54	2.96	5.001	6.000
32.00	4735-41391-85	9	CW	3.50	0.54	2.96	2.187	3.000
32.00	4735-41391-87	9	CW	3.50	0.54	2.96	2.053	3.50/3.875
32.00	4735-41392-06	9	CW	3.50	1.29	2.21	1.002	1.97/2.360
32.00	4735-41392-07	9	CW	3.50	1.29	2.21	2.000	3.500
32.00	4735-41392-08	9	CW	3.50	1.29	2.21	2.562	3.500
32.00	4735-41392-09	9	CW	3.50	1.29	2.21	5.001	6.000
32.00	4735-41392-78	9	CW	3.50	1.29	2.21	4.000	4.478
32.00	4735-41392-85	9	CW	3.50	1.29	2.21	2.187	3.000
32.00	4735-41392-87	9	CW	3.50	1.29	2.21	2.053	3.50/3.875
32.00	4735-41392-88	9	CW	3.50	1.29	2.21	3.687	4.625
32.00	4735-41392-94	9	CW	3.50	1.29	2.21	4.921	5.750/6.00
32.00	4735-41392-109	9	CW	3.50	1.29	2.21	3.000	5.250
32.00	4735-41393-06	9	CW	3.50	2.04	1.46	1.002	1.97/2.360
32.00	4735-41393-07	9	CW	3.50	2.04	1.46	2.000	3.500
32.00	4735-41393-08	9	CW	3.50	2.04	1.46	2.562	3.500
32.00	4735-41393-09	9	CW	3.50	2.04	1.46	5.001	6.000
32.00	4735-41393-85	9	CW	3.50	2.04	1.46	2.187	Double
32.00	4735-41393-87	9	CW	3.50	2.04	1.46	2.053	3.50/3.875
32.00	4735-42111-07	9	CW	3.13	0.54	2.83	2.000	3.500

FAN SPECS BY DIAMETER

Diameter	Part Number	Blades	Rot	PW	F-B	B-B	Pilot	Bolt Circle
32.00	4735-42111-08	9	CW	3.13	0.54	2.83	2.562	3.500
32.00	4735-42112-07	9	CW	3.13	1.29	2.08	2.000	3.500
32.00	4735-42113-08	9	CW	3.13	2.04	1.33	2.562	3.500
32.00	4735-42137-42	8	CW	3.00	0.53	2.47	2.562	3.500
32.00	4735-42578-43	8	CW	3.00	2.03	0.97	5.001	6.000
32.00	4735-42621-06	9	CCW	3.60	0.54	2.96	1.002	1.97/2.360
32.00	4735-42621-07	9	CCW	3.60	0.54	2.96	2.000	3.500
32.00	4735-42621-08	9	CCW	3.60	0.54	2.96	2.562	3.500
32.00	4735-42621-09	9	CCW	3.60	0.54	2.96	5.001	6.000
32.00	4735-42621-67	9	CCW	3.60	0.54	2.96	2.082	3.500
32.00	4735-42621-87	9	CCW	3.60	0.54	2.96	2.053	3.50/3.875
32.00	4735-42621-88	9	CCW	3.60	0.54	2.96	3.687	4.625
32.00	4735-42621-94	9	CCW	3.60	0.54	2.96	4.921	5.750/6.00
32.00	4735-42622-06	9	CCW	3.60	1.29	2.21	1.002	1.970
32.00	4735-42622-07	9	CCW	3.60	1.29	2.21	2.000	3.500
32.00	4735-42622-08	9	CCW	3.60	1.29	2.21	2.562	3.500
32.00	4735-42622-09	9	CCW	3.60	1.29	2.21	5.001	6.000
32.00	4735-42622-67	9	CCW	3.60	1.29	2.21	2.082	3.500
32.00	4735-42622-87	9	CCW	3.60	1.29	2.21	2.053	3.50/3.875
32.00	4735-42622-88	9	CCW	3.60	1.29	2.21	3.687	4.625
32.00	4735-42622-94	9	CCW	3.60	1.29	2.21	4.921	5.750/6.00
32.00	4735-42623-06	9	CCW	3.60	2.04	1.46	1.002	1.97/2.360
32.00	4735-42623-07	9	CCW	3.60	2.04	1.46	2.000	3.500
32.00	4735-42623-08	9	CCW	3.60	2.04	1.46	2.562	3.500
32.00	4735-42623-09	9	CCW	3.60	2.04	1.46	5.001	6.000
32.00	4735-42623-67	9	CCW	3.60	2.04	1.46	2.082	3.500
32.00	4735-42623-85	9	CCW	3.60	2.04	1.46	2.187	3.000
32.00	4735-42623-87	9	CCW	3.60	2.04	1.46	2.053	3.50/3.875
32.00	4735-42623-88	9	CCW	3.60	2.04	1.46	3.687	4.625
32.00	4735-42623-94	9	CCW	3.60	2.04	1.46	4.921	5.750/6.00
32.00	4735-42890-41	8	CW	3.25	0.98	1.72	2.000	3.500
32.00	4735-42890-42	8	CW	3.25	0.98	1.72	2.562	3.500
32.00	4735-42890-45	8	CW	3.25	0.98	1.72	5.001	6.000
32.00	4735-42904-02	8	CW	3.00	0.98	2.01	2.000	3.50/3.875
32.00	4735-42904-07	8	CW	3.00	0.98	2.01	2.562	3.500
32.00	4735-42904-10	8	CW	3.00	0.98	2.01	5.001	6.000
32.00	4735-42904-12	8	CW	3.00	0.98	2.01	2.053	3.50/3.875
32.00	4735-42904-32	8	CW	3.00	0.98	2.01	3.687	4.625
32.00	4735-42904-103	8	CW	3.00	0.98	2.01	2.000	3.500
32.00	4735-43439-01	8	CW	3.17-3.21	1.3	—	7.001	8.440
32.00	4735-43440-01	9	CW	3.79	1.50	2.18	2.562	3.500
32.00	4735-43440-02	9	CW	3.79	1.50	2.18	2.000	3.500
32.00	4735-43440-03	9	CW	3.79	1.50	2.18	5.001	6.000
32.00	4735-43440-04	9	CW	3.79	1.50	2.18	1.002	1.97/2.360
32.00	4735-42112-09	9	CW	3.13	1.29	2.08	2.560	3.500
32.00	4735-44003-12	11	CW	3.72	2.31	1.41	2.562	3.500
32.00	4735-44003-17	11	CW	3.72	2.31	1.41	2.562	3.500
32.00	010016900	11	CW	3.72	0.85	2.87	2.562	3.500
32.00	010011604	11	CW	3.72	2.31	1.41	2.562	3.500
32.00	010016827	11	CW	3.72	1.60	2.12	2.562	3.500
32.00	4735-44003-01	11	CW	3.72	2.31	1.41	2.562	3.500
32.00	4735-44003-12	11	CW	3.72	2.31	1.41	2.562	3.500
32.00	4735-44002-06	11	CW	3.72	1.57	2.15	2.562	3.500
32.28	4735-35828-186	7	CCW	2.72	1.42	1.30	4.921	5.750/6.00
33.00	4735-35828-123	7	CCW	2.72	1.42	1.30	2.000	3.50/3.875
34.00	4735-35828-25	7	CCW	2.72	1.42	1.30	3.001	5.500
34.00	4735-35828-35	7	CCW	2.72	1.42	1.30	2.000	3.50/3.875
34.00	4735-35828-48	7	CCW	2.72	1.42	1.30	2.053	3.50/3.875
34.00	4735-35828-60	7	CCW	2.72	1.42	1.30	2.562	3.500
34.00	4735-35828-124	7	CCW	2.72	1.42	1.30	3.687	4.625
34.00	4735-35828-154	7	CCW	2.72	1.42	1.30	4.254	5.040
34.00	4735-42621-511	9	CCW	3.60	0.54	2.96	2.082	3.500
34.00	4735-42621-512	9	CCW	3.60	0.54	2.96	2.562	3.500
34.00	4735-42622-113	9	CCW	3.60	1.29	2.21	3.687	4.625
34.00	4735-42622-511	9	CCW	3.60	1.29	2.21	2.000	3.500
34.00	4735-42622-512	9	CCW	3.60	1.29	2.21	2.560	3.500
34.00	4735-42623-511	9	CCW	3.60	2.04	1.46	2.000	3.500
34.00	4735-42623-512	9	CCW	3.60	2.04	1.46	2.562	3.500
34.00	4735-42890-02	8	CW	3.25	0.98	1.72	3.687	4.625
34.00	4735-42890-31	8	CW	3.25	0.98	1.72	2.000	3.500
34.00	4735-42890-32	8	CW	3.25	0.98	1.72	2.562	3.500
34.00	4735-42890-35	8	CW	3.25	0.98	1.72	5.001	6.000

36.00 -

Diameter	Part Number	Blades	Rot	PW	F-B	B-B	Pilot	Bolt Circle
36.00	4735-35828-03	7	CCW	2.72	1.42	1.30	2.053	3.50/3.875
36.00	4735-35828-06	7	CCW	2.72	1.42	1.30	2.562	3.500
36.00	4735-35828-10	7	CCW	2.72	1.42	1.30	4.501	5.500
36.00	4735-35828-30	7	CCW	2.72	1.42	1.30	2.000	3.50/3.875
36.00	4735-35828-33	7	CCW	2.72	1.42	1.30	3.001	5.500
36.00	4735-35828-51	7	CCW	2.72	1.42	1.30	3.001	5.250
36.00	4735-35828-57	7	CCW	2.72	1.42	1.30	1.002	1.97/2.360
36.00	4735-35828-185	7	CCW	2.72	1.42	1.30	4.921	5.750/6.00
36.00	4735-42621-501	9	CCW	3.60	0.54	2.96	1.002	1.97/2.360
36.00	4735-42621-502	9	CCW	3.60	0.54	2.96	2.000	3.500
36.00	4735-42621-503	9	CCW	3.60	0.54	2.96	2.053	3.50/3.875
36.00	4735-42621-504	9	CCW	3.60	0.54	2.96	2.082	3.500
36.00	4735-42621-505	9	CCW	3.60	0.54	2.96	2.562	3.500
36.00	4735-42621-506	9	CCW	3.60	0.54	2.96	3.250	3.810
36.00	4735-42621-507	9	CCW	3.60	0.54	2.96	3.687	4.625
36.00	4735-42621-509	9	CCW	3.60	0.54	2.96	4.921	5.750/6.00
36.00	4735-42621-510	9	CCW	3.60	0.54	2.96	5.001	6.000
36.00	4735-42622-501	9	CCW	3.60	1.29	2.21	1.002	1.97/2.360
36.00	4735-42622-502	9	CCW	3.60	1.29	2.21	2.000	3.500
36.00	4735-42622-503	9	CCW	3.60	1.29	2.21	2.053	3.50/3.875
36.00	4735-42622-504	9	CCW	3.60	1.29	2.21	2.082	3.500
36.00	4735-42622-505	9	CCW	3.60	1.29	2.21	2.562	3.500
36.00	4735-42622-506	9	CCW	3.60	1.29	2.21	3.250	3.810
36.00	4735-42622-507	9	CCW	3.60	1.29	2.21	3.687	4.625
36.00	4735-42622-509	9	CCW	3.60	1.29	2.21	4.921	5.750/6.00
36.00	4735-42622-510	9	CCW	3.60	1.29	2.21	5.001	6.000
36.00	4735-42623-501	9	CCW	3.60	2.04	1.46	1.002	1.97/2.360
36.00	4735-42623-502	9	CCW	3.60	2.04	1.46	2.000	3.500
36.00	4735-42623-503	9	CCW	3.60	2.04	1.46	2.053	3.50/3.875
36.00	4735-42623-504	9	CCW	3.60	2.04	1.46	2.082	3.500
36.00	4735-42623-505	9	CCW	3.60	2.04	1.46	2.562	3.500
36.00	4735-42623-506	9	CCW	3.60	2.04	1.46	3.250	3.810
36.00	4735-42623-507	9	CCW	3.60	2.04	1.46	3.687	4.625
36.00	4735-42623-509	9	CCW	3.60	2.04	1.46	4.921	5.750/6.00
36.00	4735-42623-510	9	CCW	3.60	2.04	1.46	5.001	6.000
36.00	4735-42890-21	8	CW	3.25	0.98	1.72	2.000	3.500
36.00	4735-42890-22	8	CW	3.25	0.98	1.72	2.562	3.500
36.00	4735-42890-25	8	CW	3.25	0.98	1.72	5.001	6.000
36.00	4735-42890-46	8	CW	3.25	0.98	1.72	5.122	6.500
36.00	4735-43889-25	8	CW	3.26	0.69	2.57	5.001	6.000
38.00	4735-42890-01	8	CW	3.25	0.98	1.72	3.687	4.625
38.00	4735-42890-11	8	CW	3.25	0.98	1.72	2.000	3.500
38.00	4735-42890-12	8	CW	3.25	0.98	1.72	2.562	3.500
38.00	4735-42890-15	8	CW	3.25	0.98	1.72	5.001	6.000
24.0P	4735-38164-54	8	CW	4.00	1.42	2.58	2.562	3.500
—	4735-42904-64	8	CW	3.00	0.98	2.01	—	—
22.00	4735-38449-10	10	CW	2.16	1.18	0.98	4.000	4.478
19.00	4735-38449-124	10	CW	2.16	1.18	0.98	2.510	3.250
18.71	4735-38449-125	10	CW	2.16	1.18	0.98	2.510	3.250
—	4735-38449-126	10	CW	2.16	1.18	0.98	—	—

FAN SPECS BY DIAMETER

Note: Units with shaded backgrounds are obsolete 1056-4869-01 – 1056-6020-02

PART 1056-	CODE	FUNC	NO/NC	OFFICE DIAM.	MAX PRESS	VOLT	DIODE	AMBIENT RANGE	CONN COINF	PORT SIZE	MTG CONF	MEDIA	DESCRIPTION
4869-01	Volvo	3 way	NO	0.032	135	12		-40 to 200 F	#8-32	1/8"-27 NPTF	1/8" MPT .94 HEX	Air	Solenoid valve assy w/ 14" wire harness & ring term
4869-02		3 way	NO	0.032	135	24	N	-40 to 200 F	#8-32	1/8"-27 NPTF	1/8" MPT .94 HEX	Air	Solenoid valve assy w/ 14" wire harness & ring term
4869-03		3 way	NC	0.032	135	12	N	-40 to 200 F	#8-32	1/8"-27 NPTF	1/8" MPT .94 HEX	Air	Solenoid valve assy w/ 14" wire harness & ring term
4869-05	VM	3 way	NO	0.032	135	12	N	-40 to 200 F	#8-32	1/8"-27 NPTF	1/8" MPT .94 HEX	Air	Solenoid valve assy w/ 14" wire harness & ring term
4869-06	VM	3 way	NO	0.032	135	12	N	-40 to 200 F	#8-32	1/8"-27 NPTF	1/8" MPT .94 HEX	Air	Solenoid valve assy w/ 20" wire harness & ring term
4869-08	VW	3 way	NO	0.032	135	12	N	-40 to 200 F	#8-32	1/8"-27 NPTF	1/8" MPT .94 HEX	Air	Solenoid valve assy w/ 20" wire harness & ring term
5058-01		3 way	NO or NC	0.060	135	12	N	-40 to 200 F	#8-32	1/8"-27 NPTF	1/8" MPT .94 HEX	Air	Used for A/C override
5058-02		3 way	NO or NC	0.060	135	24	N	-40 to 200 F	#8-32	1/8"-27 NPTF	1/8" MPT .94 HEX	Air	Used for A/C override
5485-01		2 way	NC	0.225	75	12	N	-40 to 250 F	#8-32	1/4"-18 NPTF	Brkt 2ea 1/4-20 2.50 on ctr	Fuel	Fuel Control For Shut down (1056-06811-01)
5485-02		2 way	NC	0.225	75	24	N	-40 to 250 F	#8-32	1/4"-18 NPTF	Brkt 2ea 1/4-20 2.50 on ctr	Fuel	Fuel Control For Shut down (1056-06811-02)
5729-01		3 way	NO or NC	0.032	135	12	N	-40 to 250 F	#8-32	1/8"-27 NPTF	Base A Thrd 1/8"-27 MPT .94 HEX	Air	6.00 lead
5729-02		3 way	NO or NC	0.032	135	12	N	-40 to 250 F	#8-32	1/8"-27 NPTF	Base A Thrd 1/8"-27 MPT .94 HEX	Air	12.25 lead
5729-03		3 way	NO or NC	0.032	135	12	N	-40 to 250 F	#8-32	1/8"-27 NPTF	Base A Thrd 1/8"-27 MPT .94 HEX	Air	24.00 lead
5729-04		3 way	NO or NC	0.032	135	12	Y	-40 to 250 F	#8-32	1/8"-27 NPTF	Base A Thrd 1/8"-27 MPT .94 HEX	Air	6.50 lead
5729-05		3 way	NO or NC	0.032	135	12	Y	-40 to 250 F	#8-32	1/8"-27 NPTF	Base A Thrd 1/8"-27 MPT .94 HEX	Air	18.5 lead
5729-06		3 way	NO or NC	0.032	135	12	Y	-40 to 250 F	#8-32	1/8"-27 NPTF	Base A Thrd 1/8"-27 MPT .94 HEX	Air	10" lead w/ convoluted tubing, w/air filter, wire labels
5729-07		3 way	NO or NC	0.032	135	12	Y	-40 to 250 F	#8-32	1/8"-27 NPTF	Base A Thrd 1/8"-27 MPT .94 HEX	Air	14" lead w/ convoluted tubing, w/air filter, wire labels
5764-01		2 way	NC	0.225	75	12	N	-40 to 250 F	#8-32	1/8"-27 NPTF	Brkt 2 ea .531 2.04 ctr		Solenoid Assy 1056-06811 w/ mtg brkt
5764-02		2 way	NC	0.225	75	24	N	-40 to 250 F	#8-32	1/8"-27 NPTF	Brkt 2 ea .531 2.04 ctr		Solenoid Assy 1056-06811 w/ mtg brkt
5919-01	GMC	3 way	NO or NC	0.060	135	12	N	-40 to 250 F	#8-32	1/8"-27 NPTF	Brkt 2 ea .281 2.50 ctr	Air	Solenoid Assy 1056-05969 w/wire harness & mtg brkt
5919-02		3 way	NO or NC	0.060	135	24	N	-40 to 250 F	#8-32	1/8"-27 NPTF	Brkt 2 ea .281 2.50 ctr	Air	Solenoid Assy 1056-05969 w/wire harness & mtg brkt
5969-01		3 way	NO or NC	0.060	135	12	N	-40 to 250 F	#8-32	1/8"-27 NPTF	Base Thrd 3/4-16 1-1/8 hex	Air	For fan control
5969-02		3 way	NO or NC	0.060	135	24	N	-40 to 250 F	#8-32	1/8"-27 NPTF	Base Thrd 3/4-16 1-1/8 hex	Air	For fan control
6020-01		3 way	NO	0.032	135	12	N	-40 to 250 F	#8-32	1/8"-27 NPTF	1/8-27MPT	Air	For fan control
6020-02		3 way	NO	0.032	135	24	N	-40 to 250 F	#8-32	1/8"-27 NPTF	1/8-27MPT	Air	For fan control

SOLENOID SPECIFICATIONS

1056-6020-03 – 1056-7996-01 **Note: Units with shaded backgrounds are obsolete**

PART 1056-	CODE	FUNC	NO/NC	OFFICE DIAM.	MAX PRESS	VOLT	DIODE	AMBIENT RANGE	CONN COINF	PORT SIZE	MTG CONF	MEDIA	DESCRIPTION
6020-03		3 way	NC	0.032	135	12	N	-40 to 250 F	#8-32	1/8"-27 NPTF	1/8-27MPT	Air	For fan control
6020-04		3 way	NC	0.032	135	24	N	-40 to 250 F	#8-32	1/8"-27 NPTF	1/8-27MPT	Air	For fan control
6376-01		3 way	NO or NC	0.060	135	12	N	-40 to 200 F	#8-32	1/4-18NPSM	1/4-18MPT	Fuel	For Fuel Shut-off Actuator
6376-02		3 way	NO or NC	0.060	135	24	N	-40 to 200 F	#8-32	1/4-18NPSM	1/4-18MPT	Fuel	For Fuel Shut-off Actuator
6811-01		2 way	NC	0.225	75	12	N	-40 to 250 F	#8-32	1/4-18NPTF	1/4-18MPT	Fuel	For Fuel Shutoff
6811-02		2 way	NC	0.225	75	24	N	-40 to 250 F	#8-32	1/4-18NPTF	1/4-18MPT	Fuel	For Fuel Shutoff
6899-01		3 way	NO or NC	0.040	150	12	N	-40 to 250 F	#8-32	1/8-27NPTF	2 slots .20x.30 on 2.12 center	Air or Oil	Shutter & Air Conditioning override
6899-02		3 way	NO or NC	0.040	150	24	N	-40 to 250 F	#8-32	1/8-27NPTF	2 slots .20x.30 on 2.12 center	Air or Oil	Shutter & Air Conditioning override
6899-03	F/L	3 way	NO or NC	0.040	150	12	N	-40 to 250 F	#8-32	1/8-27NPTF	2 slots .20x.30 on 2.12 center	Air or Oil	Shutter & Air Conditioning override
7289-01		3 way	NO or NC	0.040	150	12	N	-40 to 250 F	#8-32	1/8-27NPTF	2 slots .28on 1.97 center	Air	Air Solenoid Valve w/ brkt
7522-01		2 way	NC	0.040	150	12	N	-40 to 250 F	#8-32	1/8-27NPTF	2 slots .38x.30 on 2.12 center	Air	Air Solenoid Valve w/ brkt
7524-01	Ford	2 way	NC	0.040	150	12	N	-40 to 250 F	#8-32	1/8-27NPTF	2 slots .38 on 2.38 center	Air	Air Solenoid w/ ITT Cannon Connector 1056-07522-01
7755-01		2 way	NC	0.040	150	12	N	-40 to 250 F	Metripk 6" long Packard 1530 0002	1/8-27NPTF	2 slots .38 on 2.38 center	Air	Shutter & Air Conditioning override 1056-07522-01
7894-01		3 way	NO or NC	0.060	135	12	Y	-40 to 250 F	Metripk 6" long Packard 1530 0002	1/4-20	2 holes 2.50 center	Air	Solenoid Assy w/wire harness w/ Packard Conn 15300002 1056-32170-01
7921-01		3 way	NO or NC	0.040	150	12	Y	-40 to 250 F	Metripk 6" long Packard 1530 0002	1/8-27NPTF	2 slots .20x.30 2.12 center	Air	Solenoid Assy w/wire harness w/ Packard Conn 15300002 1056-06899-01
7937-01	Ford	3 way	NO or NC	0.040	150	12	N	-40 to 250 F	#8-32	1/8-27NPTF	2 slots .20x.30 2.12 center	Air	Solenoid Assy w/wire harness & ITT Cannon Connector 1056-06899-01
7939-01		2 way	NC	0.040	150	12	Y	-40 to 250 F	Packard 1530 0002	1/8-27NPTF	2 slots	Air	Solenoid Assy w/wire harness Packard conn 15300002 1056-07522-01
7993-01	GM	3 way	NO or NC	0.040	150	12	N	-40 to 250 F	Metripk 6" long Packard 1530 0027	1/8-27NPTF	2 slots .20x.30 2.12 center	Air	Solenoid Assy w/wire harness Packard conn 15300027
7993-02	GM	3 way	NO or NC	0.040	150	12	Y	-40 to 250 F	Metripk 6" long Packard 1530 0027	1/8-27NPTF	2 slots .20x.30 2.12 center	Air	Solenoid Assy w/wire harness Packard conn 15300027
7994-01		3 way	NO or NC	0.040	150	12		-40 to 250 F	#8-32	1/8-27NPTF	2 slots .20x.30 2.12 center	Air	Solenoid Valve Assy w/ Filter Screens Similar to 1056-06899-01
7996-01		3 way	NO or NC	0.040	150	12	N	-40 to 250 F	Metripk 6" long Packard 1530 0002	1/8"-27 NPTF	Brkt 2 slots .20 x.30 on 2.12 centers	Air	Solenoid Valve Assy w/ harness & Filter Screens Packard Conn 15300002

SOLENOID SPECIFICATIONS

PART 1056-	CODE	FUNC	NO/NC	OFFICE DIAM.	MAX PRESS	VOLT	DIODE	AMBIENT RANGE	CONN COINF	PORT SIZE	MTG CONF	MEDIA	DESCRIPTION
7996-02		3 way	NO or NC	0.040	150	12	Y	-40 to 250 F	Metripk 6" long Packard 1530 0002	1/8"-27 NPTF	Brkt 2 slots .20 x.30 on 2.12 centers	Air	Solenoid Valve Assy w/ harness & Filter Screens Packard Conn 15300002
7996-03		3 way	NO or NC	0.040	150	24	Y	-40 to 250 F	Metripk 6" long Packard 1530 0002	1/8"-27 NPTF	Brkt 2 slots .20 x.30 on 2.12 centers	Air	Solenoid Valve Assy w/ harness & Filter Screens Packard Conn 15300002
8087-01		3 way	NO or NC	0.040	150	12	N	-40 to 250 F	Metripak 12010973 Mates w/ 12015792	1/8"-27 NPTF	Brkt 2 slots .20 x.30 on 2.12 centers	Air	Solenoid Valve Assy w/ harness & Filter Screens
8087-02		3 way	NO or NC	0.040	150	24	Y	-40 to 250 F	Weather Pack 12010973 6.5" Lead	1/8"-27 NPTF	Brkt 2 slots .20 x.30 on 2.12 centers	Air	Solenoid Valve Assy w/ harness & Filter Screens
8087-04		3 way	NO or NC	0.040	150	12	Y	-40 to 250 F	5.50 Long leads-stripped only	1/8"-27 NPTF	Brkt 2 slots .20 x.30 on 2.12 centers	Air	
8097-01		3 way	NC	0.040	150	12	N	-40 to 250 F	Metripak 12010973 Mates w/ 12015792	90 EI 1/4 Qwk Connects 2 places one w/ 9.25" length of tubing	Brkt 2 slots .20 x.30 on 2.12 centers	Air	Solenoid Valve Assy w/ harness & Filter Screens 1056-08087-01
8097-02		3 way	NC	0.040	150	12	N	-40 to 250 F	Metripak 12010973 Mates w/ 12015792	90 EI 1/4 Qwk Connects 2 places one w/ 9.25" length of tubing	Brkt 2 slots .20 x.30 on 2.12 centers	Air	Solenoid Valve Assy w/ harness & Filter Screens 1056-08087-01
8097-03		3 way	NC	0.040	150	12	N	-40 to 250 F	Metripak 12010973 Mates w/ 12015792	Straight & 90 EI 1/4 Qwk Connects one w/ 3.4" length of tubing	Brkt 2 slots .20 x.30 on 2.12 centers	Air	Solenoid Valve Assy w/ harness & Filter Screens 1056-08087-01
8097-04		3 way	NC	0.040	150	12	N	-40 to 250 F	Metripak 12010973 Mates w/ 12015792	90 EI 1/4 Qwk Connects 2 places one w/ 6.75" length of tubing	Brkt 2 slots .20 x.30 on 2.12 centers	Air	Solenoid Valve Assy w/ harness & Filter Screens 1056-08087-01
8097-05		3 way	NC	0.040	150	12	N	-40 to 250 F	Metripak 12010973 Mates w/ 12015792	90 EI 1/4 Qwk Connects 2 places one w/ 5.75" length of tubing	Brkt 2 slots .20 x.30 on 2.12 centers	Air	Solenoid Valve Assy w/ harness & Filter Screens 1056-08087-01
8145-01		3 way	NO or NC	0.047	150	12	Y	-40 to 250 F	Weather Pack 12010973 6" Lead	1/8"-27 NPTF	Brkt 2 slots .20 x.30 on 2.12 centers	Air	Slim Style .93 OD
8146-02		3 way	NO or NC	0.040	150	12	N	-40 to 250 F	Metripk 6" long Packard 1530 0027	1/8-27 NPTF	Two 8-32 holes in bottom on .75 center	Air	Black & Black w/ white stripe wires
8165-02	Ford	3 way	NC	0.040	150	12	Y	-40 to 250 F	Metripk 6.00" long Packard 1530 0027	90 EI 1/4 Qwk Connects 2 places	Brkt 2 slots on 2.12 centers	Air	Solenoid Assy w/ wire harness Packard conn 15300027
8178-01		3 way	NC	0.040	150	12	Y	-40 to 250 F	Packard 1530 0002 6.50" long	90 EI 1/4 Qwk Connects 2 places one w/ 7.25" length of tubing	Brkt single hole .41 dia	Air	Black & Black w/ white stripe wires Packard conn 15300002 1056-08198-01
8178-02		3 way	NC	0.040	150	12	Y	-40 to 250 F	Packard 1530 0002 6.50" long	1/4 Qwk Connects 1 45 deg elbow & 90 degree elbow	Brkt single hole .41 dia	Air	Black & Black w/ white stripe wires Packard conn 15300002 1056-08198-01

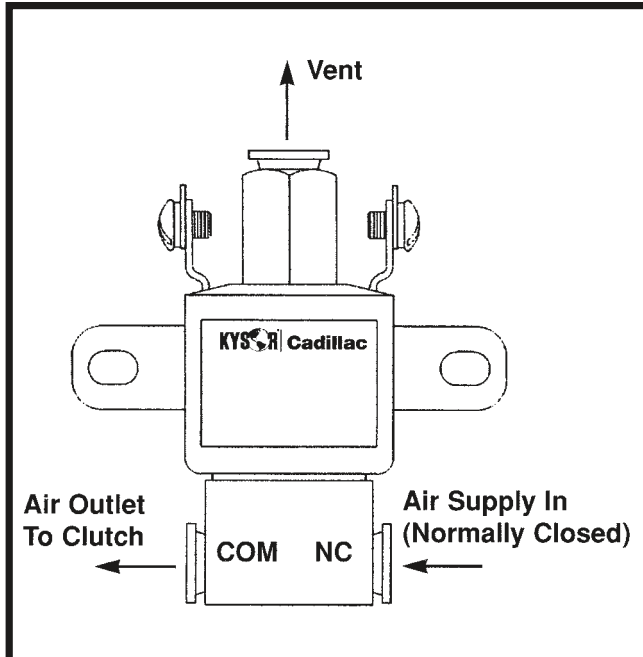
SOLENOID SPECIFICATIONS

1056-8178-04 – 1056-32170-02

PART 1056-	CODE	FUNC	NO/NC	OFFICE DIAM.	MAX PRESS	VOLT	DIODE	AMBIENT RANGE	CONN COINF	PORT SIZE	MTG CONF	MEDIA	DESCRIPTION
8178-03		3 way	NC	0.040	150	12	Y	-40 to 250 F	Packard 1530 0002 6.5" Long Lead	90 El 1/4 Qwk Connects 2 places one w/ 7" length of tubing	Brkt single hole .41 dia	Air	Black & Black w/ white stripe wires Packard conn 15300002 1056-08198-01
8178-04	Volvo	3 way	NC	0.040	150	12	Y	-40 to 250 F	Packard 1530 0002 6.5" Long Lead	90 El 1/4 Qwk Connects 2 places one w/ 5.9" length of tubing	Brkt single hole .41 dia	Air	Black & Black w/ white stripe wires Packard conn 15300002 1056-08198-01
8178-05		3 way	NC	0.040	150	12	Y	-40 to 250 F	Packard 1530 0002 6.5" long lead	90 El 1/4 Qwk Connects 2 places	Brkt single hole .41 dia	Air	Black & Black w/ white stripe wires Packard conn 15300002 1056-08198-01
8178-06	Volvo	3 way	NC	0.040	150	12	Y	-40 to 250 F	Packard 1530 0002 6.5" long lead	One 90 degree and one straight 1/4 Qwk Connects	Brkt single hole .41 dia	Air	Black & Black w/ white stripe wires Packard conn 15300002 1056-08198-01
8198-01		3 way	NO or NC	0.040	150	12	Y	-40 to 250 F	Packard 1530 0002 6.5" long lead	90 El 1/4 Qwk Connects 2 places	Brkt single hole .41 dia	Air	Black & Black w/ white stripe wires Packard conn 15300002
8199-02	Ford	3 way	NO	0.040	150	12	Y	-40 to 250 F	Packard 1530 0027 6.5" long lead	90 El 1/4 Qwk Connects 2 places one in top port	Brkt w/ slots on 2.38 center	Air	Ford part # on label
8273-01		3 way	NC	0.047	150	12	Y		Packard 12010973 6" long	one 90 degree elbow for 1/4 Qwk Connects & 1/8 pipe nipple		Air	Slim Style .93 OD Packard conn 12010973 1056-08145-01
8287-01	Volvo	3 way	NC	0.040	150	12	Y	-40 to 250 F	Packard 1530 0002 6.5" long lead	90 El 1/4 Qwk Connects 2 places	Brkt single hole .41 dia	Air	Black & Black w/ white stripe wires Packard conn 15300002 1056-08198-01
8287-02	Volvo	3 way	NC	0.040	150	12	Y	-40 to 250 F	Packard 1530 0002 6.5" long lead	2 ea straight 1/4 Qwk Connects	Brkt single hole .41 dia	Air	Black & Black w/ white stripe wires Packard conn 15300002 1056-08198-01
8287-03	Volvo	3 way	NC	0.040	150	12	Y	-40 to 250 F	Packard 1530 0002 6.5" long lead	90 El 1/4 Qwk Connects 2 places	Brkt single hole .41 dia	Air	Black & Black w/ white stripe wires Packard conn 15300002 1056-08198-01
9047-01		2 way	NC	0.040	150	12	Y	-40 to 250 F	Two term w/ #8-32 screw	1/8-27 NPTF	Brkt w/ slots on 2.38 center	Air	
9048-01	GM	2 way	NC	0.040	150	12	Y	-40 to 250 F	Packard 1530 0002 6" long lead	1/8-27 NPTF	Brkt w/ slots on 2.38 center	Air	Red & Black wire 1056-09047-01
32170-01		3 way	NO or NC	0.060	135	12	N	-40 to 250 F	#8-32	1/8-27 NPTF	Brkt w/ slots on 2.50 center	Air	For fan control 1056-05969-01
32170-02		3 way	NO or NC	0.060	135	24	N	-40 to 250 F	#8-32	1/8-27 NPTF	Brkt w/ slots on 2.50 center	Air	For fan control 1056-05969-01

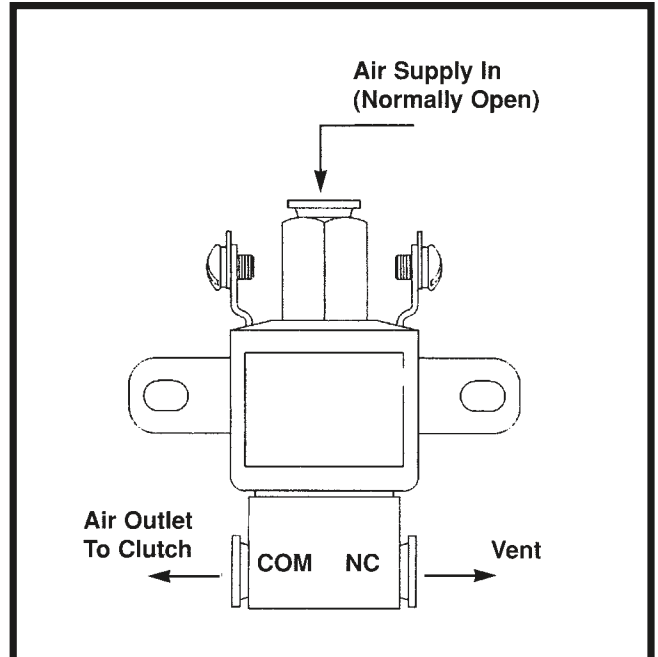
SOLENOID SPECIFICATIONS

**NORMALLY CLOSED**  
Used with Normally Closed control circuits and BorgWarner fan clutches

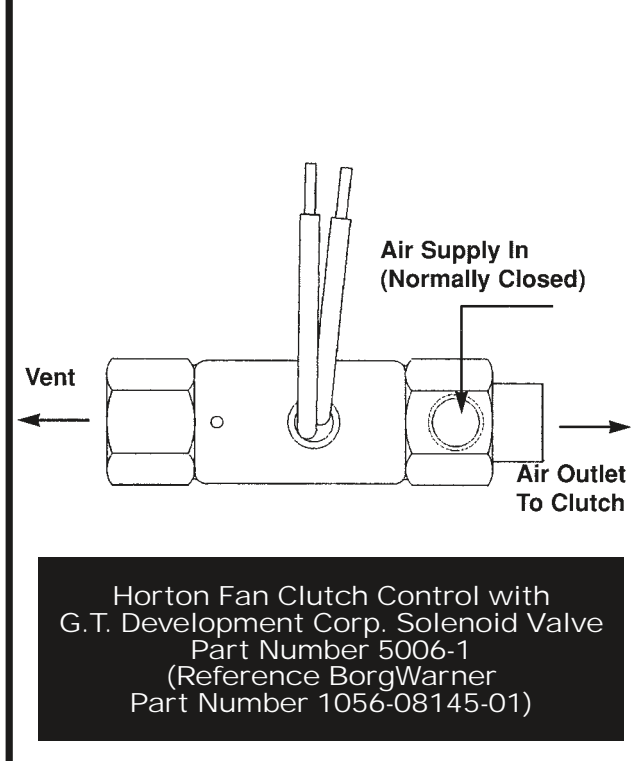


**BorgWarner Fan Clutch Solenoid Valve  
Part Number 1056-07994-01**

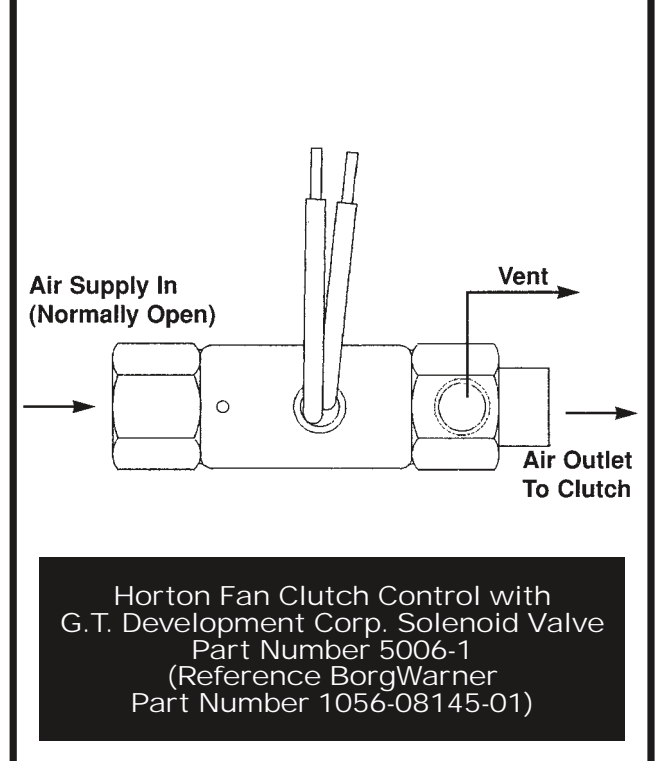
**NORMALLY OPEN**  
Used with Normally Closed control circuits and Horton fan clutches



**BorgWarner Fan Clutch Solenoid Valve  
Part Number 1056-07994-01**



**Horton Fan Clutch Control with  
G.T. Development Corp. Solenoid Valve  
Part Number 5006-1  
(Reference BorgWarner  
Part Number 1056-08145-01)**



**Horton Fan Clutch Control with  
G.T. Development Corp. Solenoid Valve  
Part Number 5006-1  
(Reference BorgWarner  
Part Number 1056-08145-01)**

**SOLENOID SPECIFICATIONS**





1100 Wright Street • Cadillac, MI 49601

231-779-7500 **phone**

231-775-5749 **fax**

800-927-7811 **Customer Service**

231-779-7528 **Tech Service & Troubleshooting**

**checkout the online catalog at [www.bwthermal.com](http://www.bwthermal.com)**